



ENSTROM HELICOPTER CORPORATION

2209 22ND STREET, P.O. BOX 490, MENOMINEE, MICHIGAN 49858-0490 USA

SERVICE DIRECTIVE BULLETIN

No. 0020B
Supersedes 0020A
Page one of three

Date: April 2, 1982
Subject: Main Rotor Spindles - Part No. 28-14282, E.O. No. 8
Model: F-28A
Compliance: As Noted

A retirement life of 4500 hours has been established on all 28-14282 main rotor spindles which were machined to Engineering Order No. 8 (E.O. No. 8).

The helicopter serial numbers, spindle lot numbers, and the quantity of spindles from each lot are listed below:

<u>Serial Number</u>	<u>Lot Number</u>	<u>Quantity Installed</u>
S/N 203	Lot #19, E.O. #8	2
S/N 205	Lot #20, E.O. #8	3
S/N 209	Lot #24, E.O. #8	2
S/N 209	Lot #25, E.O. #8	1
S/N 216	Lot #24, E.O. #8	3
S/N 220	Lot #22, EQ. #8	3
S/N 221	Lot #22, E.O. #8	3
S/N 222	Lot #17, E.O. #8	3
S/N 223	Lot #22, E.O. #8	2
S/N 223	Lot #24, E.O. #8	1
S/N 224	Lot #19, E.O. #8	3
S/N 225	Lot #20, E.O. #8	2
S/N 227	Lot #27, E.O. #8	2
S/N 231	Lot #26, E.O. #8	3
S/N 232	Lot #22, E.O. #8	3
S/N 233	Lot #26, E.O. #8	3

<u>Serial Number</u>	<u>Lot Number</u>	<u>Quantity Installed</u>
S/N 234	Lot #22, E.O. #8	2
S/N 234	Lot #20, E.O. #8	1
S/N 235	Lot #23, E.O. #8	3
S/N 236	Lot #20, E.O. #8	2
S/N 236	Lot #19, E.O. #8	1
S/N 237	Lot #27, E.O. #8	3
S/N 240	Lot #23, E.O. #8	3

One spindle marked “Lot 24, E. O. #8” is in service and is not listed with the above serial numbers. Therefore, it is mandatory that all helicopters which received replacement spindles after June 18, 1974 be inspected per this service note.

These spindles are identified as shown:

- a. The lot numbers with E.O. #8 are acid-etched on the tapered surface as illustrated.
- b. They may be further identified by the 1.37 diameter straight internal bore as indicated on the illustration.

Note: All infinite life spindles have a tapered internal bore in this area.

Identification of the life limited spindles is considered mandatory at the next 100-hour inspection unless previously accomplished in accordance with Airworthiness Directive 75-22-01. A log book entry is to be made identifying the retirement life of the 28-14282, E.O. #8 spindles which is 4500 hours.

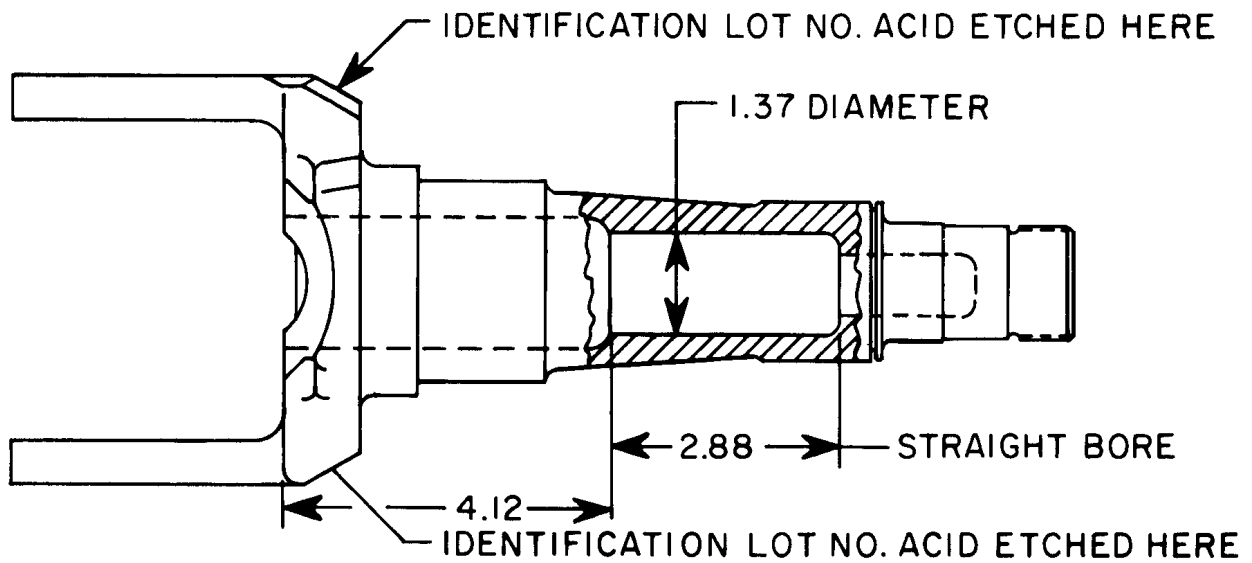


FIG. 1
TOP VIEW OF 28-14282 SPINDLE