

May 13, 2026

ENSTROM F-28/280 SERIES ILLUSTRATED PARTS CATALOG
1987 Edition

Revision 14, dated May 13, 2026, applies to the Enstrom F-28/280 Series Illustrated Parts Catalog, 1987 Edition. Place this cover sheet behind the "Log of Revisions" sheet at the front of your manual after removing and inserting the pages listed below.

<u>Remove Pages</u>	<u>Insert Pages</u>
vii through cxx	vii through cxx
3-9 through 3-10	3-9 through 3-10
3-75 through 3-77.1	3-75 through 3-77.1
3-105 through 3-108	3-105 through 3-108
3-123 through 3-124	3-123 through 3-124
4-1 through 4-5.1	4-1 through 4-5.1
7-29 through 7-30	7-29 through 7-30
7-33 through 7-36	7-33 through 7-36
7-85 through 7-86	7-85 through 7-86
8-6.2 through 8-6.5	8-6.2 through 8-6.5
10-11 through 10-14	10-11 through 10-14
11-45 through 11-46	11-45 through 11-46
11-71 through 11-72	11-71 through 11-72
12-23 through 12-28	12-23 through 12-28
12-57 through 12-60	12-57 through 12-60
B-1 through B-24	B-1 through B-24

* * * * End of List * * *

INTENTIONALLY LEFT BLANK

ENSTROM F-28/280 SERIES ILLUSTRATED PARTS CATALOG

TABLE OF CONTENTS

Figure	Description	Page
11-14	Instrument Line Installation	11-67
11-15	Instrument/System Line Installation	11-70
11-16	Turbine Inlet Temperature Indicator Installation	11-75
11-17	Graphic Engine Monitor	11-77
11-18	Mechanical Tachometer Drive Installation	11-80
11-19	EDM-700-4C Installation	11-83
11-20	Placard Bracket Installation	11-90
11-21	Placard Installation	11-94
11-22	280FX SIRS Compass Installation	11-113

SECTION 12 – TAIL ROTOR SYSTEM

	Cover Page	12-1
	Table of Contents	12-1
12-1	Tail Rotor Transmission Assembly	12-3
12-2	Flex Coupling Installation	12-7
12-3	Tail Rotor Hanger Bearing Installation	12-11
12-4	Rotor Tachometer Assembly	12-13
12-5	Tail Rotor Blade Control Installation	12-17
12-6	Tail Rotor Pitch Link Assembly	12-29
12-7	Tail Rotor Mechanical Controls (Right Hand Gearbox)	12-33
12-8	Tail Rotor Mechanical Controls (Left Hand Gearbox)	12-37
12-9	28-15018-3 Tail Rotor Assembly	12-41
12-10	28-150000-7, -10 Tail Rotor Assembly	12-45
12-11	28-150050-2 Tail Rotor Assembly	12-49
12-12	28-150073-1, -5 Tail Rotor Assembly – Obsolete	12-53
12-13	28-150079-1, -5 Tail Rotor Assembly	12-57

SECTION 13 – SHIMS

	Cover Page	13-1
	Table of Contents	13-1
13-1	Index of Enstrom Helicopter Shims	13-2

APPENDIX A – EQUIVALENT PARTS

	Introduction	A-3
	Equivalent Parts Tables	A-3

APPENDIX B – STANDARD HARDWARE SUBSTITUTIONS

	Cover Page	B-1
	Table of Contents	B-1
	Introduction	B-2
	Acceptable Substitution Conditions	B-2
	Hardware Tables	B-2
	<i>Table A – Bolts</i>	B-3
	<i>Table B – Screws</i>	B-5
	<i>Table C – Nuts</i>	B-7

ENSTROM F-28/280 SERIES ILLUSTRATED PARTS CATALOG

TABLE OF CONTENTS

Figure	Description	Page
	<i>Table D – Nut Plates</i>	B-8
	<i>Table E – Solid Rivets</i>	B-10
	<i>Table F – Blind Rivets</i>	B-10
	<i>Table G – Washers</i>	B-11
	<i>Table H – Rivnuts</i>	B-16
	<i>Table I – Turnbuckles</i>	B-17
	<i>Table J – Grommets</i>	B-17
	<i>Table K – Cotter Pins</i>	B-17
	<i>Table L – Clamps (Nylon)</i>	B-18
	<i>Table M – Cable Ties</i>	B-18
	<i>Table N – U-Channel (Rubber)</i>	B-19
	<i>Table O – Shrink Tubing</i>	B-19
	<i>Table P – Ring Tongue Terminals</i>	B-20
	<i>Table Q – Retaining Rings</i>	B-22
	<i>Table R – Cushioned Clamps</i>	B-22
	<i>Table S – Plusnuts</i>	B-22
	<i>Table T – Solder Sleeve Shield Terminator</i>	B-22
	<i>Table U – Plug, Pipe – Countersink Hex Head</i>	B-22
	<i>Table V – Clip Nut</i>	B-22
	<i>Table W – Plug and Bleeder – Screw Thread</i>	B-22
	<i>Table X – Pin, Retaining, Safety</i>	B-22
	<i>Table Y – Quarter Turn Fastener</i>	B-22
	<i>Table Z – Quick Disconnect Terminal</i>	B-22
	<i>Table AA – Plug (BNC, TNC, N)</i>	B-23
	<i>Table AB – Roll Pin</i>	B-23
	<i>Table AC – Sleeve, Coupling</i>	B-23
	<i>Table AD – Clevis Pin</i>	B-23
	<i>Table AE – Quarter (1/4) Turn Fastener Receptacle</i>	B-23
	<i>Table AF – Sleeve, Flared Tube Fitting</i>	B-23
	<i>Table AG – 3.5 mm Phone Jack</i>	B-23
	<i>Table AH – Grease Fitting</i>	B-23
	<i>Table AI – Terminal Lugs</i>	B-23

ENSTROM F-28/280 SERIES ILLUSTRATED PARTS CATALOG

EFFECTIVE PAGE LIST

Page	Date	Page	Date
i	No Date	I	May 13/26
ii	Aug 6/25	li	May 13/26
iii	Apr 16/24	lii	May 13/26
iv	Aug 6/25	liii	May 13/26
v	Aug 6/25	liv	May 13/26
vi	Aug 29/24	lv	May 13/26
vii	May 13/26	lvi	May 13/26
viii	May 13/26	lvii	May 13/26
ix	May 13/26	lviii	May 13/26
x	May 13/26	lix	May 13/26
xi	May 13/26	lx	May 13/26
xii	May 13/26	lxi	May 13/26
xiii	May 13/26	lxii	May 13/26
xiv	May 13/26	lxiii	May 13/26
xv	May 13/26	lxiv	May 13/26
xvi	May 13/26	lxv	May 13/26
xvii	May 13/26	lxvi	May 13/26
xviii	May 13/26	lxvii	May 13/26
xix	May 13/26	lxviii	May 13/26
xx	May 13/26	lxix	May 13/26
xxi	May 13/26	lxx	May 13/26
xxii	May 13/26	lxxi	May 13/26
xxiii	May 13/26	lxxii	May 13/26
xxiv	May 13/26	lxxiii	May 13/26
xxv	May 13/26	lxxiv	May 13/26
xxvi	May 13/26	lxxv	May 13/26
xxvii	May 13/26	lxxvi	May 13/26
xxviii	May 13/26	lxxvii	May 13/26
xxix	May 13/26	lxxviii	May 13/26
xxx	May 13/26	lxxix	May 13/26
xxxi	May 13/26	lxxx	May 13/26
xxxii	May 13/26	lxxxii	May 13/26
xxxiii	May 13/26	lxxxiii	May 13/26
xxxiv	May 13/26	lxxxiv	May 13/26
xxxv	May 13/26	lxxxv	May 13/26
xxxvi	May 13/26	lxxxvi	May 13/26
xxxvii	May 13/26	lxxxvii	May 13/26
xxxviii	May 13/26	lxxxviii	May 13/26
xxxix	May 13/26	lxxxix	May 13/26
xl	May 13/26	xc	May 13/26
xli	May 13/26	xcii	May 13/26
xliv	May 13/26	xciii	May 13/26
xlvi	May 13/26	xciv	May 13/26
xlvi	May 13/26	xcv	May 13/26
xlvi	May 13/26	xcvi	May 13/26
xlvi	May 13/26	xcvii	May 13/26

ENSTROM F-28/280 SERIES ILLUSTRATED PARTS CATALOG

EFFECTIVE PAGE LIST

Page	Date	Page	Date
xcviii	May 13/26	3-18	Apr 16/24
xcix	May 13/26	3-19	Aug 6/25
c	May 13/26	3-20	Aug 6/25
ci	May 13/26	3-21	Apr 22/19
cii	May 13/26	3-22	Apr 22/19
ciii	May 13/26	3-23	Apr 22/19
civ	May 13/26	3-24	Apr 22/19
cv	May 13/26	3-25	Aug 29/24
cvi	May 13/26	3-26	Aug 29/24
cvii	May 13/26	3-27	Aug 6/25
cviii	May 13/26	3-28	Apr 22/19
cix	May 13/26	3-29	Feb 27/23
cx	May 13/26	3-30	Feb 27/23
cxI	May 13/26	3-31	Apr 22/19
cxii	May 13/26	3-32	Aug 6/25
cxiii	May 13/26	3-33	Aug 6/25
cxiv	May 13/26	3-34	Aug 29/24
cxv	May 13/26	3-35	Apr 22/19
cxvi	May 13/26	3-36	Apr 22/19
cxvii	May 13/26	3-37	Apr 22/19
cxviii	May 13/26	3-38	Aug 29/24
cxix	May 13/26	3-39	Apr 22/19
cxx	May 13/26	3-40	Apr 22/19
1-1	Apr 22/19	3-41	Nov 8/23
1-2	Feb 27/23	3-42	Aug 6/25
1-3	Apr 22/19	3-43	Aug 6/25
1-4	Apr 22/19	3-43.1	Aug 6/25
2-1	Apr 22/19	3-43.2	Nov 8/23
2-2	Apr 22/19	3-44	Apr 22/19
2-3	Apr 22/19	3-45	Apr 22/19
2-4	Apr 22/19	3-46	Apr 22/19
3-1	Apr 16/24	3-47	Apr 22/19
3-2	Apr 22/19	3-48	Apr 22/19
3-3	Apr 22/19	3-49	Apr 22/19
3-4	Apr 22/19	3-50	Apr 22/19
3-5	Apr 22/19	3-51	Apr 22/19
3-6	Apr 22/19	3-52	Apr 22/19
3-7	Apr 22/19	3-53	Apr 22/19
3-8	Feb 27/23	3-54	Aug 6/25
3-9	Feb 27/23	3-55	Apr 22/19
3-10	May 13/26	3-56	Apr 22/19
3-11	Feb 27/23	3-57	Aug 6/25
3-12	Aug 6/25	3-58	Aug 6/25
3-13	Aug 6/25	3-59	Apr 22/19
3-14	Aug 6/25	3-60	Apr 22/19
3-15	Aug 6/25	3-61	Apr 22/19
3-16	Aug 6/25	3-62	Apr 22/19
3-17	Apr 22/19	3-63	Apr 22/19
	Apr 16/24	3-64	Apr 22/19

ENSTROM F-28/280 SERIES ILLUSTRATED PARTS CATALOG

EFFECTIVE PAGE LIST

Page	Date	Page	Date
3-65	Apr 22/19	3-107.1	May 13/26
3-66	Apr 22/19	3-107.2	May 13/26
3-67	Apr 22/19	3-108	Apr 22/19
3-68	Feb 27/23	3-109	Apr 22/19
3-69	Apr 22/19	3-110	Feb 27/23
3-70	Feb 27/23	3-111	Feb 27/23
3-71	Aug 6/25	3-112	Feb 27/23
3-72	Aug 6/25	3-113	Feb 27/23
3-73	Aug 6/25	3-114	Aug 6/25
3-74	Aug 6/25	3-115	Apr 22/19
3-75	May 13/26	3-116	Apr 22/19
3-76	May 13/26	3-117	Apr 22/19
3-77	May 13/26	3-118	Apr 16/24
3-77.1	May 13/26	3-119	Apr 16/24
3-77.2	Aug 6/25	3-120	Apr 22/19
3-78	Aug 6/25	3-121	Apr 22/19
3-79	Aug 6/25	3-122	Apr 22/19
3-80	Apr 22/19	3-123	Aug 6/25
3-81	Feb 27/23	3-124	May 13/26
3-82	Aug 6/25	3-125	Aug 6/25
3-83	Aug 6/25	3-126	Aug 6/25
3-84	Aug 6/25	3-126.1	Aug 6/25
3-85	Aug 6/25	3-126.2	Aug 6/25
3-85.1	Aug 6/25	3-127	Apr 22/19
3-85.2	Feb 27/23	3-128	Apr 22/19
3-86	Feb 27/23	3-129	Apr 22/19
3-87	Apr 22/19	3-130	Apr 22/19
3-88	Aug 6/25	3-131	Apr 22/19
3-89	Apr 22/19	3-132	Aug 21/19
3-90	Apr 22/19	3-133	Aug 21/19
3-91	Aug 6/25	3-134	Aug 21/19
3-92	Aug 6/25	4-1	Feb 27/23
3-93	Aug 6/25	4-2	May 13/26
3-94	Aug 6/25	4-3	May 13/26
3-95	Aug 6/25	4-4	May 13/26
3-95.1	Aug 6/25	4-5	May 13/26
3-95.2	Feb 27/23	4-5.1	May 13/26
3-96	Apr 22/19	4-5.2	Aug 6/25
3-97	Apr 22/19	4-6	Feb 27/23
3-98	Apr 22/19	4-7	Aug 21/19
3-99	Feb 27/23	4-8	Aug 6/25
3-100	Feb 27/23	4-9	Aug 6/25
3-101	Feb 27/23	4-10	Aug 6/25
3-102	Apr 22/19	4-10.1	Feb 27/23
3-103	Aug 6/25	4-10.2	Feb 27/23
3-104	Aug 6/25	4-11	Aug 21/19
3-105	Aug 6/25	4-12	Aug 6/25
3-106	May 13/26	4-13	Aug 21/19
3-107	May 13/26	4-14	May 17/23

ENSTROM F-28/280 SERIES ILLUSTRATED PARTS CATALOG

EFFECTIVE PAGE LIST

Page	Date	Page	Date
4-15	Aug 21/19	6-10	Apr 22/19
4-16	Aug 21/19	6-11	Apr 22/19
5-1	Feb 27/23	6-12	Apr 22/19
5-2	Aug 6/25	6-13	Apr 22/19
5-3	Aug 6/25	6-14	Apr 22/19
5-4	Aug 6/25	6-15	Apr 22/19
5-5	Aug 6/25	6-16	Apr 22/19
5-6	Aug 6/25	6-17	Apr 22/19
5-6.1	Aug 6/25	6-18	Feb 27/23
5-6.2	Aug 6/25	6-19	Feb 27/23
5-7	Apr 22/19	6-20	Aug 6/25
5-8	Aug 6/25	6-21	Feb 27/23
5-9	Apr 22/19	6-21.1	Feb 27/23
5-10	Apr 22/19	6-21.2	Feb 27/23
5-11	Apr 22/19	6-22	Apr 22/19
5-12	Apr 22/19	6-23	Apr 22/19
5-13	Aug 6/25	6-24	Apr 22/19
5-14	Aug 6/25	6-25	Apr 22/19
5-15	Apr 22/19	6-26	Apr 22/19
5-16	Apr 22/19	6-27	Apr 22/19
5-17	Aug 6/25	6-28	Apr 22/19
5-18	Aug 6/25	6-29	Apr 22/19
5-19	Aug 6/25	6-30	Apr 22/19
5-20	Aug 6/25	6-31	Apr 22/19
5-21	Aug 29/24	6-32	Feb 27/23
5-22	Apr 22/19	6-33	Apr 22/19
5-23	Feb 27/23	6-34	Apr 22/19
5-24	Aug 29/24	6-35	Apr 22/19
5-24.1	Aug 29/24	6-36	May 17/23
5-24.2	Aug 29/24	6-37	Apr 22/19
5-25	Feb 27/23	6-38	Apr 22/19
5-25.1	Feb 27/23	6-39	Apr 22/19
5-25.2	Aug 29/24	6-40	Apr 22/19
5-26	Aug 29/24	6-41	Apr 22/19
5-27	Aug 29/24	6-42	Aug 29/24
5-28	Aug 6/25	6-43	Aug 29/24
5-29	Aug 29/24	6-44	Aug 29/24
5-30	Feb 27/23	6-45	Aug 29/24
5-31	Aug 6/25	6-46	Aug 29/24
5-32	Feb 27/23	6-47	Aug 29/24
6-1	Apr 22/19	6-48	Apr 22/19
6-2	Apr 22/19	6-49	Apr 22/19
6-3	Apr 22/19	6-50	Apr 22/19
6-4	Apr 22/19	7-1	Apr 16/24
6-5	Apr 22/19	7-2	Apr 16/24
6-6	Apr 22/19	7-3	Apr 16/24
6-7	Apr 22/19	7-4	Apr 16/24
6-8	Apr 22/19	7-5	Apr 16/24
6-9	Apr 22/19	7-6	Apr 16/24

ENSTROM F-28/280 SERIES ILLUSTRATED PARTS CATALOG

EFFECTIVE PAGE LIST

Page	Date	Page	Date
7-7	Apr 16/24	7-56	Aug 6/25
7-8	Apr 16/24	7-57	Aug 6/25
7-9	Aug 29/24	7-58	Aug 6/25
7-10	Aug 29/24	7-59	Aug 6/25
7-11	Aug 29/24	7-60	Aug 6/25
7-12	Aug 29/24	7-61	Apr 16/24
7-13	Apr 16/24	7-62	Apr 16/24
7-14	Apr 16/24	7-63	Apr 16/24
7-15	Aug 6/25	7-64	Apr 16/24
7-16	Aug 6/25	7-65	Apr 16/24
7-17	Aug 6/25	7-66	Apr 16/24
7-18	Apr 16/24	7-67	Apr 16/24
7-19	Apr 16/24	7-68	Apr 16/24
7-20	Apr 16/24	7-69	Aug 6/25
7-21	Apr 16/24	7-70	Apr 16/24
7-22	Apr 16/24	7-71	Apr 16/24
7-23	Aug 6/25	7-72	Apr 16/24
7-24	Apr 16/24	7-73	Apr 16/24
7-25	Apr 16/24	7-74	Apr 16/24
7-26	Apr 16/24	7-75	Apr 16/24
7-27	Apr 16/24	7-76	Apr 16/24
7-28	Apr 16/24	7-77	Apr 16/24
7-29	Apr 16/24	7-78	Apr 16/24
7-30	May 13/26	7-79	Apr 16/24
7-31	Aug 6/25	7-80	Apr 16/24
7-32	Aug 6/25	7-81	Apr 16/24
7-33	May 13/26	7-82	Apr 16/24
7-34	Aug 6/25	7-83	Apr 16/24
7-35	Apr 16/24	7-84	Aug 6/25
7-36	May 13/26	7-85	May 13/26
7-37	Apr 16/24	7-86	May 13/26
7-38	Apr 16/24	7-87	Apr 16/24
7-39	Apr 16/24	7-88	Apr 16/24
7-40	Apr 16/24	7-89	Aug 6/25
7-41	Apr 16/24	7-90	Apr 16/24
7-42	Apr 16/24	7-91	Apr 16/24
7-43	Apr 16/24	7-92	Apr 16/24
7-44	Apr 16/24	7-93	Aug 6/25
7-45	Apr 16/24	7-94	Apr 16/24
7-46	Apr 16/24	7-95	Apr 16/24
7-47	Aug 6/25	7-96	Aug 6/25
7-48	Apr 16/24	7-97	Aug 6/25
7-49	Apr 16/24	7-98	Aug 6/25
7-50	Apr 16/24	7-99	Aug 6/25
7-51	Aug 6/25	7-100	Aug 6/25
7-52	Aug 29/24	7-101	Apr 16/24
7-53	Aug 6/25	7-102	Aug 29/24
7-54	Aug 6/25	7-103	Aug 29/24
7-55	Aug 29/24	7-104	Apr 16/24

ENSTROM F-28/280 SERIES ILLUSTRATED PARTS CATALOG

EFFECTIVE PAGE LIST

Page	Date	Page	Date
7-105	Apr 16/24	8-28	Nov 8/23
7-106	Aug 6/25	8-28.1	Nov 8/23
7-107	Apr 16/24	8-28.2	Nov 8/23
7-108	Apr 16/24	8-29	Nov 8/23
8-1	Aug 29/24	8-30	Nov 8/23
8-1.1	Nov 8/23	8-31	Nov 8/23
8-2	Aug 6/25	8-31.1	Nov 8/23
8-2.1	Aug 6/25	8-31.2	Nov 8/23
8-2.2	Aug 6/25	8-31.3	Nov 8/23
8-2.3	May 17/23	8-32	Nov 8/23
8-3	Aug 29/24	8-33	Nov 8/23
8-4	Aug 29/24	8-34	Nov 8/23
8-5	May 17/23	8-34.1	Nov 8/23
8-5.1	Aug 6/25	8-34.2	Nov 8/23
8-5.2	May 17/23	8-34.3	Nov 8/23
8-5.3	May 17/23	8-35	May 17/23
8-6	May 17/23	8-36	Feb 27/23
8-6.1	Aug 6/25	8-36.1	Feb 27/23
8-6.2	May 13/26	8-36.2	Feb 27/23
8-6.3	May 13/26	8-37	Aug 29/24
8-6.4	May 13/26	8-38	Aug 29/24
8-6.5	May 17/23	8-39	Aug 29/24
8-7	May 17/23	8-40	Aug 29/24
8-7.1	Aug 6/25	8-41	Aug 29/24
8-7.2	May 17/23	8-42	Aug 29/24
8-7.3	May 17/23	8-43	Aug 29/24
8-8	May 17/23	8-44	Aug 29/24
8-9	May 17/23	8-45	Aug 29/24
8-10	May 17/23	8-46	Aug 29/24
8-11	Aug 6/25	8-47	Aug 29/24
8-12	Aug 6/25	8-48	Aug 29/24
8-13	May 17/23	8-49	Aug 29/24
8-14	May 17/23	8-50	Aug 29/24
8-15	May 17/23	8-51	Aug 29/24
8-16	Aug 6/25	8-52	Aug 29/24
8-17	May 17/23	8-53	Aug 29/24
8-18	May 17/23	8-54	Aug 29/24
8-19	Aug 6/25	8-55	Aug 29/24
8-20	Aug 6/25	8-56	Aug 29/24
8-20.1	May 17/23	8-57	Aug 29/24
8-21	Nov 8/23	8-58	Aug 29/24
8-22	Nov 8/23	8-59	Aug 29/24
8-23	Nov 8/23	8-60	Aug 29/24
8-24	Nov 8/23	8-61	Aug 29/24
8-24.1	Nov 8/23	8-62	Aug 29/24
8-24.2	Nov 8/23	8-63	Aug 29/24
8-25	Nov 8/23	8-64	Aug 29/24
8-26	Nov 8/23	8-65	Aug 29/24
8-27	Nov 8/23	8-66	Aug 29/24

ENSTROM F-28/280 SERIES ILLUSTRATED PARTS CATALOG

EFFECTIVE PAGE LIST

Page	Date	Page	Date
8-67	Aug 29/24	11-3	Nov 8/23
8-68	Aug 29/24	11-4	Nov 8/23
8-69	Aug 29/24	11-5	Nov 8/23
8-70	Aug 29/24	11-6	Nov 8/23
9-1	Apr 22/19	11-7	Aug 6/25
9-2	Apr 22/19	11-8	Aug 6/25
9-3	Aug 6/25	11-9	Aug 6/25
9-4	Aug 6/25	11-10	Nov 8/23
9-4.1	Aug 6/25	11-11	Aug 6/25
9-4.2	Aug 6/25	11-12	Aug 6/25
9-5	Apr 22/19	11-13	Aug 6/25
9-6	Apr 22/19	11-14	Nov 8/23
9-7	Apr 22/19	11-15	Nov 8/23
9-8	Apr 22/19	11-16	Nov 8/23
9-9	Apr 22/19	11-17	Nov 8/23
9-10	Aug 6/25	11-18	Nov 8/23
9-11	Aug 6/25	11-19	Nov 8/23
9-12	Aug 6/25	11-20	Nov 8/23
9-12.1	Aug 6/25	11-21	Nov 8/23
9-12.2	Aug 6/25	11-22	Nov 8/23
9-13	Apr 22/19	11-23	Nov 8/23
9-14	Aug 6/25	11-24	Nov 8/23
9-15	Aug 6/25	11-25	Nov 8/23
9-16	Aug 6/25	11-26	Nov 8/23
9-17	Aug 6/25	11-27	Nov 8/23
9-17.1	Aug 6/25	11-28	Nov 8/23
9-17.2	Aug 6/25	11-29	Nov 8/23
9-18	Apr 22/19	11-30	Nov 8/23
9-19	Apr 22/19	11-31	Nov 8/23
9-20	Apr 22/19	11-32	Nov 8/23
9-21	Apr 22/19	11-33	Nov 8/23
9-22	Apr 22/19	11-34	Nov 8/23
10-1	Apr 22/19	11-35	Nov 8/23
10-2	Apr 22/19	11-36	Nov 8/23
10-3	Apr 22/19	11-37	Nov 8/23
10-4	Apr 22/19	11-38	Nov 8/23
10-5	Apr 22/19	11-39	Nov 8/23
10-6	Apr 22/19	11-40	Nov 8/23
10-7	Apr 22/19	11-41	Nov 8/23
10-8	Apr 22/19	11-42	Nov 8/23
10-9	Apr 22/19	11-43	Nov 8/23
10-10	Aug 6/25	11-44	Nov 8/23
10-11	May 13/26	11-45	May 13/26
10-12	May 13/26	11-46	May 13/26
10-13	May 13/26	11-47	Nov 8/23
10-14	Apr 22/19	11-48	Nov 8/23
11-0	Nov 8/23	11-49	Aug 6/25
11-1	Aug 29/24	11-50	Nov 8/23
11-2	Nov 8/23	11-51	Nov 8/23

ENSTROM F-28/280 SERIES ILLUSTRATED PARTS CATALOG

EFFECTIVE PAGE LIST

Page	Date	Page	Date
11-52	Aug 6/25	11-99	Nov 8/23
11-53	Nov 8/23	11-100	Nov 8/23
11-54	Aug 6/25	11-101	Nov 8/23
11-55	Aug 6/25	11-102	Nov 8/23
11-56	Aug 6/25	11-103	Nov 8/23
11-57	Aug 6/25	11-104	Nov 8/23
11-57.1	Aug 6/25	11-105	Nov 8/23
11-57.2	Aug 6/25	11-106	Nov 8/23
11-58	Nov 8/23	11-107	Aug 6/25
11-59	Aug 29/24	11-108	Nov 8/23
11-60	Nov 8/23	11-109	Nov 8/23
11-61	Aug 6/25	11-110	Nov 8/23
11-62	Aug 6/25	11-111	Nov 8/23
11-63	Nov 8/23	11-112	Nov 8/23
11-64	Nov 8/23	11-113	Aug 29/24
11-65	Nov 8/23	11-114	Aug 29/24
11-66	Nov 8/23	12-1	Aug 29/24
11-67	Nov 8/23	12-2	Apr 16/24
11-68	Nov 8/23	12-3	Apr 16/24
11-69	Nov 8/23	12-4	Apr 16/24
11-70	Aug 29/24	12-5	Apr 16/24
11-71	Aug 29/24	12-6	Apr 16/24
11-72	May 13/26	12-7	Apr 16/24
11-73	Aug 29/24	12-8	Apr 16/24
11-74	Nov 8/23	12-9	Apr 16/24
11-75	Nov 8/23	12-10	Apr 16/24
11-76	Nov 8/23	12-11	Apr 16/24
11-77	Nov 8/23	12-12	Aug 6/25
11-78	Nov 8/23	12-13	Apr 16/24
11-79	Nov 8/23	12-14	Aug 6/25
11-80	Nov 8/23	12-15	Apr 16/24
11-81	Aug 6/25	12-16	Apr 16/24
11-82	Nov 8/23	12-17	Apr 16/24
11-83	Nov 8/23	12-18	Apr 16/24
11-84	Nov 8/23	12-19	Apr 16/24
11-85	Nov 8/23	12-20	Apr 16/24
11-86	Nov 8/23	12-21	Apr 16/24
11-87	Nov 8/23	12-22	Apr 16/24
11-88	Nov 8/23	12-23	May 13/26
11-89	Nov 8/23	12-24	May 13/26
11-90	Nov 8/23	12-25	May 13/26
11-91	Nov 8/23	12-26	May 13/26
11-92	Nov 8/23	12-27	May 13/26
11-93	Nov 8/23	12-28	May 13/26
11-94	Nov 8/23	12-29	Apr 16/24
11-95	Nov 8/23	12-30	Apr 16/24
11-96	Nov 8/23	12-31	Aug 29/24
11-97	Nov 8/23	12-32	Apr 16/24
11-98	Nov 8/23	12-33	Apr 16/24

ENSTROM F-28/280 SERIES ILLUSTRATED PARTS CATALOG

EFFECTIVE PAGE LIST

Page	Date	Page	Date
12-34	Apr 16/24	A-2	Sep 30/13
12-35	Apr 16/24	A-3	Mar 24/17
12-36	Apr 16/24	A-4	Feb 27/23
12-37	Apr 16/24	A-5	Mar 24/17
12-38	Apr 16/24	A-6	Mar 24/17
12-39	Apr 16/24	B-1	May 13/26
12-40	Apr 16/24	B-2	May 13/26
12-41	Apr 16/24	B-3	May 13/26
12-42	Apr 16/24	B-4	May 13/26
12-43	Aug 6/25	B-5	May 13/26
12-44	Apr 16/24	B-6	May 13/26
12-45	Apr 16/24	B-7	May 13/26
12-46	Apr 16/24	B-8	May 13/26
12-47	Apr 16/24	B-9	May 13/26
12-48	Apr 16/24	B-10	May 13/26
12-49	Apr 16/24	B-11	May 13/26
12-50	Apr 16/24	B-12	May 13/26
12-51	Apr 16/24	B-13	May 13/26
12-52	Apr 16/24	B-14	May 13/26
12-53	Aug 29/24	B-15	May 13/26
12-54	Aug 29/24	B-16	May 13/26
12-55	Aug 29/24	B-17	May 13/26
12-56	Apr 16/24	B-18	May 13/26
12-57	Apr 16/24	B-19	May 13/26
12-58	May 13/26	B-20	May 13/26
12-59	May 13/26	B-21	May 13/26
12-60	May 13/26	B-22	May 13/26
13-1	Apr 22/19	B-23	May 13/26
13-2	Apr 22/19	B-24	May 13/26
A-1	Sep 30/13		

ENSTROM F-28/280 SERIES ILLUSTRATED PARTS CATALOG

PART NUMBER INDEX

Part Number	Figure	Item	Part Number	Figure	Item
#1357	12-5	–	02A21376	3-23	650
#4016	7-2	140	02A21376	3-4	235
#4316	7-9	430	02A22619	3-8	190
#8x1/2	7-8	190	037360-004	3-28	–
00-15073-01	3-30	30A	037360-104	3-3	280
01-0770001-41	6-4	20	037360-115	3-3	160
01-0770001-51	6-4	10	037360-160	3-3	280
01-0770006-08	6-6	150A	037360-161	3-3	160
01-0770028-05	6-6	150	037360-161	3-3	280
01-0770028-05	6-6	150A	07DU08	5-2	140
01-0770029	6-4	140	08DU08	8-1	190
01-0770029-R	6-6	90	09455-01-824-08E-011	5-3	520
01-0770034-02	6-5	180	099001-174	3-27	20
01-0770054-00	6-5	130	099001-176	3-27	10
01-0770054-02	6-5	120	099001-177	3-27	30
01-0770119-09	6-4	350	099001-178	3-27	40
01-0770119-15	11-8	80	099005-401	3-27	50
01-0770119-15	11-9	90	09-DU-10	8-10	390
01-0790006-00	6-5	150	09-DU-12	8-9	400
01-0790006-01	6-5	170	09-DU-12	8-10	400
01-0790006-02	6-5	140	1	3-3	320
01-0790006-03	6-5	160	1	3-4	80
01-0790340-03	6-5	170	1/2 X 8R	7-11	360
01-0790340-04	6-5	160	1/2-6NA	11-19	225
0110	11-1	–	1/4 Harper	12-6	90
0110	11-2	–	1/4 Harper	12-7	140
0110	11-3	–	1/4 Harper	3-3	60
0110	11-4	300	1/4 Harper	5-1	110
01-691-04	12-6	160	1/4 Harper	5-3	370
01-691-04	12-5	640	1/4 Harper	5-5	120
01-691-05	8-4	100	1/4 Harper	8-11	160
01-824-08E-011	4-4	200	1/4 Harper	8-11	20
01-824-08E-011	5-3	520	1/4 Harper	8-20	30
02-0250276-00	6-6	130	1/4 Harper	8-3	110
02-0350003-01	6-4	–	1/4 Harper	8-5	350
02-0350003-01	6-4	–	1/4 Harper	12-13	290
02-0350003-01	6-4	–	1/4 Harper	8-8	120
02-0350281-0	6-4	–	1/4 Harper	7-1	250
02-03705534-00	6-4	–	1/4 Harper	12-10	170
02-691-04	5-2	170	1/4 Harper	12-11	220

ENSTROM F-28/280 SERIES ILLUSTRATED PARTS CATALOG

PART NUMBER INDEX

Part Number	Figure	Item	Part Number	Figure	Item
1/4 Harper	12-12	260	1219-4200-Z3Y	3-2	113
1/4-6NA	11-16	40	1219-4200-Z3Y	3-20	–
1/8-6NA	6-4	190	1219-4200-Z3Y	3-20B	–
1/8X8-32	3-24	450	1219-4200-Z3Y	3-20B	–
10005498	3-26	50	1219-4200-Z3Y	7-1	550
10065 H1L5	4-2	80	1219-4200-Z3Y	7-10	390
101678-0002	3-8	110	1239	3-9	21
10-176485-121	6-1	100	12500750	4-4	140
10-DU-10	8-12	40	12500750-125B	4-4	140
102-00007	5-6	170	12528Y-A164	12-4	20
10-357290-1	11-8	275	12B	9-2	35
10-357290-1	11-9	165	12LHTA17-M62	3-18	–
10-357290-1	11-1	270	12LHTA1-M62	3-18	–
10-357290-1	11-2	160	12T35-2	11-5	160
10-357290-1	11-3	160	12TS15-2	11-8	265
10-357290-1	11-5	10	12TS15-2	11-9	150
10-357290-1	11-6	370	12TS15-2	11-5	160
10-357290-1	11-7	580	12TS15-2	11-7	560
103574-00	3-3	200	13241 HIL5	5-6	–
10-382780-12	6-2	40	13241-LDS	5-6	–
1040	11-8	90	1357	9-4	–
1040	11-9	85	1425	7-5	–
1040	11-1	410	1-480305-0	11-8	–
1040	11-2	310	1-480318-0	11-7	–
1040	11-3	310	1-480319-0	6-11	–
1040	11-4	290	1-480319-0	11-7	–
1040	11-5	40	149-24HT	3-31	–
1040	11-6	170	1500-052-1	11-1	330
1040	11-7	190	1500-052-1	11-2	220
10-400608-123	6-1	100	1500-052-1	11-3	220
10-400608-123	6-2	40	1500-052-1	11-4	220
10-400608-243	6-2	40	1500-052-1	11-5	230A
1053	7-4	290	1500-052-2	6-3	–
1061	3-24	–	1500-052-2	11-1	70
108FR	9-4	–	1500-052-2	11-5	250
1102	5-6	244	1500-052-2	11-6	190
110927-3	7-5	680	1500-052-205	11-5	230
1-10-AM5201	9-5	5	1500-052-205	11-6	400
11-691-04	12-6	140	1500-056-3	11-6	410
11-691-05	8-4	130	15-0007-5	6-5	10

ENSTROM F-28/280 SERIES ILLUSTRATED PARTS CATALOG

PART NUMBER INDEX

Part Number	Figure	Item	Part Number	Figure	Item
1512	6-6	350	1684	8-17	80
1512-140	6-4	90	1687	11-8	245
1539-001	12-1	200	1687	11-7	530
1540	5-6	–	1691-C	3-8	120
1540	5-7	90	169E-190-12L	11-2	140
15753XC2L	7-1	370	169E-909-2L	11-1	240
1592-30	11-1	–	169E-909-2L	11-2	130
1592-30	11-2	–	169E-909-2L	11-3	130
1592-30	11-3	–	169E-909-2L	11-4	130
1592-30	11-4	–	169E-909-3L	11-3	–
1592-30	11-5	–	169E-910-11-3L	11-3	–
15PA90-4R	11-8	270	169E-910-11L	11-1	230
15PA90-4R	11-9	155	169E-910-11L	11-2	120
15PA90-4R	11-7	570	169E-910-11L	11-3	120
160-012-70	11-8	190	169E-910-11L	11-4	120
160-012-70	11-9	160	169E-910-12-1L	11-3	–
160-012-70	11-7	410	169E-910-12L	11-1	250
16-1	12-13	320	169E-910-12L	11-3	140
16-1	12-5	–	169E-910-12L	11-4	140
16-1	12-11	40	169E-910-14-4L	11-1	200
16-1	12-12	290	169E-910-14-4L	11-2	90
1637-B	12-3	50	169E-910-14-4L	11-3	90
1637-B	8-1	70	169E-910-14-4L	11-4	90
1637-B1	4-1	330	169E-910-14-5L	11-3	–
1637-B1	8-3A	180	169E-910-15-1L	11-3	–
1641	12-9	–	169E-910-15L	11-1	220
1641-B	4-1	260	169E-910-15L	11-2	110
1641-B	4-2	160	169E-910-15L	11-3	110
1641-B	5-4	320	169E-910-15L	11-4	110
1641-B	8-4	90	169E-914-1L	11-1	210
1650	4-2	160	169E-914-1L	11-2	100
1650	5-4	130	169E-914-1L	11-3	100
1650	12-13	220	169E-914-1L	11-4	100
1650	12-10	190	169E-914-2L	11-3	–
1650	12-11	200	16DU12	8-5	230
1650	12-12	200	16-DU-12	8-3A	60
1678	11-9	180	16-DU-14	8-3A	60
1684	11-8	200	16-DU-16	8-3A	60
1684	11-7	430	1728-B	5-3	270
1684	8-16	80	1815	11-1	–

ENSTROM F-28/280 SERIES ILLUSTRATED PARTS CATALOG

PART NUMBER INDEX

Part Number	Figure	Item	Part Number	Figure	Item
1815	11-3	–	201NP	5-3	300
1815	11-5	–	20206A	3-7	310
1816	6-4	120	2-025 E515-80	4-4	110
1816	6-5	20	2-025 E515-80	4-4	40
18207	3-26	150	2-026	3-9	60
18286-00	3-26	130	2-029	4-2	140
18-2-G	12-5	780	202A-13BTR	11-3	330
183204	3-26	150	202A-13BTR	11-5	270
184969	3-4	120	202A-13BTR	11-16	10
1877	12-13	110	202A-1A	11-2	330
1885	12-11	150	202A-1ATR	11-4	–
1886	11-18	130	20526	5-4	290
1886	12-4	150	206036-1	8-5	190
18DU12	8-16	150	206037-1	8-5	200
18DU12	8-17	160	206044-1	8-5	200A
1911-B	5-4	320	206070-1	8-5	210
1911-B	8-3A	180	206322-1	8-5	210A
1911-B1	11-18	70	20TC2-CA-10	11-6	–470A
1911-B1	12-4	140	20TC2-CA-15	11-1	280
1911-B1	4-1	320	20TC2-CA-15	11-2	170
1911-B1	8-1	70	20TC2-CA-20	11-1	300
19-130074-009	6-6	100	20TC2-CA-20	11-2	190
19-150002-009	6-4	–	20TC2-CA-20	11-3	190
19-150002-009	6-4	–	20TC2-CA-20	11-4	190
19-150002-009	6-4	–	20TC2-CA-20	11-5	200A
1B7536	5-6	135	20TC2-CA-20	11-6	470
1SE1	5-1	310	20TC2-CA-3	11-1	260
2000653-001	6-5	10	20TC2-CA-3	11-2	150
20020S	7-22	250	20TC2-CA-3	11-3	150
20024S	3-5A	40	20TC2-CA-3	11-4	150
20024S	3-5A	60	20TC2-CA-3	11-5	190A
20024S	7-22	270	20TC2-CA-3	11-6	480
20040S	10-1	18	20TC2-CA-5	11-3	170
20040S	3-3	260	20TC2-CA-5	11-4	170
20042A	3-6	10	20TC2-CA-5	11-5	180A
20042A	3-7	180	20TC2-CA-5	11-6	460
20044S	10-1	4	20TC2-CA-7.5	11-1	140
20-0824130A00	6-4	–	20TC2-CA-7.5	11-1	290
2-010	3-26	80	20TC2-CA-7.5	11-2	30
201F-5006	3-31	–	20TC2-CA-7.5	11-2	180

ENSTROM F-28/280 SERIES ILLUSTRATED PARTS CATALOG

PART NUMBER INDEX

Part Number	Figure	Item	Part Number	Figure	Item
20TC2-CA-7.5	11-3	30	22-370-60	11-7	880
20TC2-CA-7.5	11-3	180	229001P	6-12	70
20TC2-CA-7.5	11-3	210	22NKM-82	7-4	200
20TC2-CA-7.5	11-3	230	2-326 E515-80	4-4	90
20TC2-CA-7.5	11-4	30	2335-265-1	11-8	460
20TC2-CA-7.5	11-4	160	2335-265-1	11-9	370
20TC2-CA-7.5	11-4	180	2335-265-1	11-5	–
20TC2-CA-7.5	11-4	210	2335-265-1	11-7	980
20TC2-CA-7.5	11-4	230	23S-094-0625	4-3	70
20TC2-CA-7.5	11-5	170A	2500-4	7-5	780
20TC2-CA-7.5	11-6	–460A	2524917-1	3-31	–
210A155	8-9	100	270624141H0080	3-22	220
210A155	8-10	100	2716-00	11-5	–
210A249	8-9	–110	28-00013-1	11-21	190
210A249	8-10	–110	28-00013-3	11-21	200
2-131 N304-75	7-21	80	28-00014-1	11-21	10
2-137 E515-80	4-4	150	28-00014-3	11-21	20
21FA-540	12-1	130	28-00015-1	11-21	30
21FA-540	5-6	–	28-00015-3	11-21	40
2212A	3-22	250	28-00016-1	11-21	50
2212A	3-23	260	28-00016-3	11-21	60
2-214	3-9	70	28-00017-1	11-21	–
2-214	5-6	200	28-00018-1	11-21	–
22-169-09-1L	11-1	190	28-01011-3	6-13	200
22-169-09-1L	11-2	80	28-01026-1	11-5	270B
22-169-09-1L	11-3	80	28-01026-11	11-19	70
22-169-09-1L	11-4	80	28-01026-11	11-17	–
2-218	3-9	40	28-01026-3	11-5	270A
222	11-1	380	28-01026-3	11-17	–
222	11-2	280	28-01039-1	3-3	–
222	11-3	280	28-01041-1	12-2	120
222	11-4	–	28-01041-3	12-2	120
222	11-5	–	28-01058-15	3-5A	–
22-370-60	11-8	405	28-01058-3	3-5A	140
22-370-60	11-9	315	280-112000-1	7-13	–
22-370-60	11-1	–	280-112000-3	7-13	–
22-370-60	11-2	–	280-112000-5	7-13	–
22-370-60	11-3	–	280-112001-11	7-14	70
22-370-60	11-4	–	280-112001-12	7-14	80
22-370-60	11-5	–	280-112001-13	7-14	–60

ENSTROM F-28/280 SERIES ILLUSTRATED PARTS CATALOG

PART NUMBER INDEX

Part Number	Figure	Item	Part Number	Figure	Item
280-112001-15	7-14	-120	280-113037-1	7-5	970
280-112002-1	7-14	-190	280-113037-11	7-5	970
280-112002-3	7-14	-200	280-113037-13	7-5	970
280-112006-11	7-14	240	280-113038-11	7-5	-610
280-113000-103	7-5	-	280-113038-12	7-5	620
280-113001-9	7-5	-	280-113038-13	7-5	-610
280-113006-19	3-10	20	280-113038-14	7-5	620
280-113016-29	6-10	80	280-113039-11	7-5	810
280-113016-31	6-10	90	280-114500-13	7-5	210
280-113019-31	6-9	80	280-114500-13	7-10	520
280-113022-11	7-5	-20	280-114500-17	7-9	-280
280-113022-12	7-5	10	280-114500-17	7-10	420
280-113022-13	7-5	80	280-114500-18	7-9	290
280-113022-14	7-5	90	280-114500-18	7-10	-430
280-113022-15	7-5	110	280-114500-19	7-10	370
280-113022-16	7-5	120	280-114500-20	7-10	-380
280-113022-17	7-5	30	280-114500-21	7-10	540
280-113023-1	7-5	-	280-114500-22	7-10	-550
280-113024-1	7-5	130	280-114500-23	7-10	560
280-113027-1	7-5	700	280-114500-24	7-10	-570
280-113027-13	7-5	760	280-114501-1	7-9	10
280-113027-14	7-5	-770	280-114501-5	7-10	500
280-113027-2	7-5	-710	280-114502-1	7-11	-210
280-113027-23	7-5	720	280-114502-13	7-10	-
280-113027-24	7-5	-730	280-114502-3	7-10	140
280-113027-31	7-5	740	280-114502-3	7-11	180
280-113032-11	7-5	910	280-114502-4	7-10	150
280-113032-12	7-5	-920	280-114502-4	7-11	190
280-113033-1	9-1	1B	280-114502-5	7-9	180
280-113033-3	9-1	1C	280-114503-1	7-9	220
280-113035-1	7-5	840	280-114503-1	7-11	-330
280-113035-11	7-5	-	280-114503-3	7-9	-190
280-113035-12	7-5	-	280-114503-3	7-11	-20
280-113035-2	7-5	-850	280-114503-4	7-9	200
280-113036-1	7-5	960	280-114503-4	7-11	-40
280-113036-11	7-5	-	280-114503-5	7-9	260
280-113036-13	7-5	-	280-114503-5	7-11	-250
280-113036-15	7-5	-	280-114503-6	7-9	270
280-113036-3	7-5	-960A	280-114503-6	7-11	-260
280-113036-5	7-5	-960B	280-114504-1	7-9	150

ENSTROM F-28/280 SERIES ILLUSTRATED PARTS CATALOG

PART NUMBER INDEX

Part Number	Figure	Item	Part Number	Figure	Item
280-114505-2	7-9	370	280-124301-901	3-24	10
280-114505-2	7-10	190	280-124301-902	3-24	20
280-114507-1	7-5	160	280-126001-109	3-20	–
280-114507-1	7-10	90	280-126001-109	3-20A	–
280-114507-3	7-5	–160A	280-126001-109	3-20B	–
280-114507-3	7-10	60	280-126001-11	3-20B	–
280-114508-1	7-9	410	280-126001-15	3-20	–
280-114508-1	7-10	240	280-126001-15	3-20A	–
280-114508-1	7-11	490	280-126001-15	3-20B	–
280-114508-11	7-9	410	280-126001-3	3-20B	–
280-114508-11	7-11	490	280-126001-33	3-19	90
280-114509-1	7-9	20	280-126001-33	3-20B	–
280-117000-1	7-5	–	280-126001-34	3-20	–
280-117000-10	7-5	560	280-126001-35	3-19	110
280-117000-15	7-5	570	280-126001-37	3-19	130
280-117000-17	7-5	350	280-126001-39	3-19	120
280-117000-2	7-5	–	280-126001-41	3-19	100
280-117000-25	7-5	–360	280-126001-45	3-6	290
280-117000-26	7-5	370	280-126001-45	3-7	220
280-117001-15	7-5	290	280-126001-47	3-6	280
280-117001-23	7-5	300	280-126001-47	3-7	230
280-117001-25	7-5	520	280-126001-51	3-19	80
280-117001-3	7-5	480	280-126001-51	3-20	–
280-117001-5	7-5	500	280-126001-51	3-20B	–
280-117001-7	7-5	490	280-126001-53	3-20	–
280-117002-1	7-5	320	280-126001-53	3-20A	–
280-117003-1	7-5	–410	280-126001-53	3-20B	–
280-117003-2	7-5	420	280-126001-55	3-20	–
280-117003-27	7-5	470	280-126001-55	3-20A	–
280-117003-3	7-5	–540	280-126001-55	3-20B	–
280-117003-4	7-5	550	280-126001-69	3-20	610
280-124001-1	3-22	10	280-126001-69	3-20A	610
280-124001-1	3-23	10	280-126001-69	3-20B	610
280-124001-1	3-24	490	280-126001-9	3-20	210
280-124001-1	3-26	–	280-126001-9	3-20A	210
280-124001-3	3-26	190	280-126001-9	3-20B	210
280-124301-1	3-24	10	280-126001-906	3-20B	20
280-124301-15	3-24	–	280-126001-908	3-20	20
280-124301-16	3-24	–	280-126001-908	3-20A	20
280-124301-2	3-24	20	280-126002-1	3-6	190

ENSTROM F-28/280 SERIES ILLUSTRATED PARTS CATALOG

PART NUMBER INDEX

Part Number	Figure	Item	Part Number	Figure	Item
280-126002-1	3-7	210	280-181000-25	11-15	50
280-126003-1	3-6	240	280-181000-911	11-12	-110A
280-126003-1	3-7	170	280-181000-911	11-14	-30A
280-126003-1	7-11	390	280-181000-913	11-12	-90A
280-127500-11	10-2	16	280-181000-915	11-12	-100A
280-127502-1	10-2	20	280-181000-915	11-14	-50A
280-127505-13	10-2	18	280-181000-917	11-12	-80A
280-127505-17	3-18	-	280-181000-917	11-14	-60A
280-127505-17	3-20	-	280-181000-919	11-12	-60A
280-127505-17	3-20A	-	280-181000-919	11-14	-70A
280-127505-17	3-20B	-	280-181000-921	11-12	-70A
280-127505-17	3-5A	70	280-181000-921	11-14	-80A
280-127507-11	10-2	17	280-200000-1	7-16	10
280-128000-2	7-5	150	280-200000-2	7-16	20
280-162000-11	8-18	-120	280-201000-1	7-16	190
280-162000-11	8-19	-120	280-201000-33	7-16	180
280-180000	11-3	-	280-201000-41	7-16	170
280-180000	11-4	-	280-201002-11	7-16	250
280-180001-11	9-2	9	280-210002-1	7-16	230
280-180001-12	9-2	8	280-210004-5	6-5	-
280-180001-13	9-2	10	280-210007-1	6-8	30
280-180003-3	11-6	300	280-210007-11	6-8	-
280-180004	11-3	250	280-210007-13	6-8	-
280-180004-19	11-4	250	280-210007-3	6-8	30
280-180004-21	11-3	260	280-221001	9-3	-
280-180004-21	11-4	260	28-10-60-11	6-13	210
280-180004-25	11-6	160	28-111004-1	3-10	130
280-180005-1	11-4	320	28-111004-1	3-15	150
280-180005-2	11-4	310	28-111004-15	3-15	150
280-180006-1	9-2	6	28-111004-17	3-15	150
280-180007-1	11-21	1090	28-11112-1	3-6	140
280-181000-1	11-15	-	28-11112-1	3-7	110
280-181000-11	11-15	30	28-11120-1	11-11	160
280-181000-13	11-15	35	28-11121-4	11-11	210
280-181000-13	11-14	-40A	28-11121-4	11-14	80
280-181000-15	11-15	40	28-11121-7	11-11	170
280-181000-17	11-15	5	28-11121-901	11-11	230
280-181000-19	11-15	10	28-11121-901	11-12	70
280-181000-21	11-15	70	28-11128-1	5-1	460
280-181000-23	11-15	45	28-11128-3	5-1	460

ENSTROM F-28/280 SERIES ILLUSTRATED PARTS CATALOG

PART NUMBER INDEX

Part Number	Figure	Item	Part Number	Figure	Item
28-11201-12	7-14	100	28-11236-31	7-14	-110
28-11201-3	7-14	30	28-11236-5	7-14	-
28-11201-4	7-14	40	28-11236-5	7-18	-
28-11201-5	7-14	20	28-11238-1	12-3	-55
28-11201-6	7-14	10	28-11239-1	7-18	10
28-11201-7	7-14	50	28-11239-101	7-18	40
28-11201-8	7-14	90	28-11239-11	7-18	-
28-11201-996	7-14	-	28-11239-13	7-18	-
28-11202-1	7-14	150	28-11239-19	7-18	-
28-11203-1	7-14	160	28-11239-21	7-18	-
28-11204-1	7-14	170	28-11239-21	7-18	-
28-11204-11	7-14	170	28-11239-23	7-18	-
28-11205-1	7-14	180	28-11239-25	7-18	-
28-11205-11	7-14	180	28-11239-27	7-18	-
28-11206-1	7-14	210	28-11239-27	7-18	-
28-11206-5	7-14	210	28-11239-3	7-18	20
28-11207-1	7-14	220	28-11239-35	7-18	-
28-11207-3	7-14	220	28-11239-35	7-18	-
28-11215-1	7-15	200	28-11239-37	7-18	-
28-11215-1	7-16	120	28-11239-37	7-18	-
28-11217-1	7-15	160	28-11239-39	7-18	-
28-11217-1	7-16	100	28-11239-39	7-18	-
28-11217-3	7-15	160	28-11239-9	7-18	30
28-11217-3	7-16	100	28-11242-11	7-14	140
28-11218-1	7-15	150	28-11243-11	7-14	130
28-11218-1	7-16	90	28-11248-1	7-14	-
28-11221-1	7-15	80	28-11298-13	3-12	10
28-11221-2	7-15	90	28-11300	7-1	-
28-11222-1	7-15	130	28-11300	7-13	-
28-11222-15	7-17	80	28-11300-1	7-1	-
28-11225-11	7-14	230	28-11303-1	9-1	1
28-11227-13	7-18	-	28-11303-4	9-1	12
28-11227-13	7-18	-	28-11303-5	9-1	1A
28-11227-17	7-18	-	28-113040-11	9-1	2
28-11227-17	7-18	-	28-113040-13	9-1	2A
28-11227-21	7-18	-	28-113041-11	7-5	-250
28-11227-21	7-18	-	28-113041-11	9-4	11
28-11236-1	7-14	-	28-113041-12	7-5	260
28-11236-1	7-15	-	28-113041-12	9-4	-12
28-11236-1	7-16	-	28-113042-11	9-1	9

ENSTROM F-28/280 SERIES ILLUSTRATED PARTS CATALOG

PART NUMBER INDEX

Part Number	Figure	Item	Part Number	Figure	Item
28-113046-29	7-3	-122	28-113090-17	7-4	470
28-113046-3	7-5	990	28-113090-18	7-4	640
28-113046-30	7-3	-124	28-113090-19	7-4	490
28-113046-4	7-5	-1000	28-113090-20	7-4	-500
28-113046-5	7-3	-152	28-113090-21	7-4	30
28-113046-6	7-3	-154	28-113090-22	7-4	-40
28-113046-7	7-3	-45	28-113090-23	7-4	-
28-113046-9	7-3	-45	28-113090-24	7-4	-
28-113047-11	7-5	-230	28-113090-25	7-4	270
28-113047-12	7-5	240	28-113090-27	7-4	590
28-113048-2	7-1	-	28-113090-3	7-4	-
28-113048-2	7-2	-	28-113090-4	7-4	-
28-113052-2	7-2	30	28-11309-1	7-1	-
28-113054-1	6-5	250	28-113091-1	7-4	-540
28-113054-1	7-7	10	28-113091-3	7-4	-540
28-113054-12	7-7	20	28-113091-3CS	7-4	-540A
28-113055-1	7-7	-	28-113091-5	7-4	520
28-113069-1	9-1	14	28-113091-6	7-4	-530
28-113071-1	7-1	-	28-113092-11	7-4	550
28-113076-1	7-4	210	28-113092-13	7-4	550
28-113076-15	7-4	-	28-11309-3	7-1	600
28-113077-11	7-4	270	28-11309-3	7-2	170
28-113078-11	7-4	240	28-113093-13	7-4	670
28-11307-901	8-5	560	28-11309-4	7-1	610
28-11307-902	8-5	-550	28-11309-4	7-2	-180
28-113080-3	7-4	620	28-11309-6	7-1	620
28-113080-4	7-4	-630	28-113096-1	7-4	430
28-113080-5	7-4	620	28-113096-2	7-4	-440
28-113080-6	7-4	-630	28-11309-7	7-1	630
28-113084-11	7-4	450	28-113097-13	7-4	-
28-113085-13	7-4	430	28-113097-14	7-4	-
28-113085-14	7-4	-440	28-113097-3	7-4	560
28-113087-11	7-4	250	28-113097-4	7-4	-570
28-113088-11	7-4	300	28-11310-1	7-1	-10
28-113090-11	7-4	310	28-11310-10	7-4	20
28-113090-12	7-4	-320	28-11310-103	7-2	40
28-113090-13	7-4	-340	28-11310-104	7-2	-50
28-113090-14	7-4	-350	28-113101-1	7-6	500
28-113090-15	7-4	410	28-11310-11	7-1	50
28-113090-16	7-4	-420	28-113101-2	7-6	-510

ENSTROM F-28/280 SERIES ILLUSTRATED PARTS CATALOG

PART NUMBER INDEX

Part Number	Figure	Item	Part Number	Figure	Item
28-113101-3	7-6	380	28-113134-12	7-6	-610
28-113101-4	7-6	-390	28-113135-11	7-6	320
28-11310-2	7-1	20	28-113135-12	7-6	-330
28-113102-1	7-5	-	28-113136-11	7-6	340
28-113102-11	7-5	790	28-113136-12	7-6	-350
28-113103-1	7-6	540	28-113139-1	7-6	10
28-113103-2	7-6	-550	28-113139-1	9-4	15
28-113103-3	7-6	480	28-113139-2	7-6	-20
28-113103-4	7-6	-490	28-113139-2	9-4	-16
28-11310-5	7-4	-40	28-113140-1	7-6	430
28-11310-6	7-4	30	28-11360-1	6-9	70
28-11310-7	7-1	30	28-11371-1	7-1	-
28-113107-11	3-11	-	28-11371-1	7-1	810
28-113107-13	3-11	-	28-11371-1	7-4	610
28-113107-15	3-11	-	28-11372-1	7-1	290
28-11310-8	7-1	-40	28-11373-1	7-1	270
28-113108-11	3-11	-	28-11376-1	7-1	260
28-113108-13	3-11	-	28-11388-1	8-18	200
28-113108-15	3-11	-	28-11388-1	8-19	160
28-11310-905	7-1	100	28-11392-1	12-5	130
28-113112-11	7-6	410	28-11395-1	9-2	5
28-113112-12	7-6	-420	28-11395-1	9-3	50
28-113113-11	7-6	370	28-11395-1	9-4	50
28-113113-13	7-6	310	28-11395-1-GEN	9-4	-50A
28-113114-1	7-6	200	28-11400-1	7-1	-
28-113114-2	7-6	-210	28-11400-1	7-8	-
28-113118-11	7-6	220	28-114002-3	7-11	-230
28-113118-12	7-6	-230	28-114003-1	7-11	400
28-113120-11	7-6	400	28-114003-3	7-11	400
28-113122-1	7-6	150	28-114010-11	7-11	50
28-113122-2	7-6	-160	28-114010-12	7-11	-60
28-113122-3	7-6	170	28-114011-13	7-11	-160
28-113122-4	7-6	-180	28-114011-15	7-11	-170
28-113124-11	7-6	580	28-114011-17	7-11	-150
28-113124-12	7-6	-590	28-114011-5	7-10	110
28-113125-11	7-6	560	28-114011-5	7-11	140
28-113125-12	7-6	-570	28-114012-1	7-10	200
28-113128-11	7-6	660	28-114012-11	7-11	240
28-113129-11	7-6	640	28-11401-3	7-8	10
28-113134-11	7-6	600	28-11401-3	7-11	-90

ENSTROM F-28/280 SERIES ILLUSTRATED PARTS CATALOG

PART NUMBER INDEX

Part Number	Figure	Item	Part Number	Figure	Item
28-114013-11	7-11	-280	28-114023-11	7-10	20
28-114013-12	7-11	-290	28-114023-11	7-12	10
28-114013-13	7-11	-300	28-114024-1	7-10	30
28-114013-17	7-11	-280	28-114024-1	7-12	-
28-114013-3	7-10	180	28-114024-11	7-12	20
28-114013-3	7-11	270	28-114024-12	7-12	-30
28-114014-1	7-11	-	28-114025-1	7-11	-120
28-114014-3	7-11	-	28-114026-3	7-10	40
28-114014-5	7-10	-	28-114026-3	7-12	90
28-114014-5	7-11	-	28-11403-1	7-8	160
28-114014-5	7-12	-	28-11404-1	9-2	11
28-114014-7	7-11	-	28-11404-13	9-3	290
28-114014-9	7-10	-	28-11404-13	9-4	230
28-114014-9	7-11	-	28-11405-1	7-8	-270
28-114015-1	7-10	120	28-11405-2	7-8	280
28-114015-1	7-11	10	28-11407-1	7-1	340
28-114015-2	7-10	170	28-11407-5	7-4	170
28-114015-2	7-11	30	28-11408-10	7-1	400
28-114016-1	7-11	310	28-11408-2	7-1	360
28-114016-3	7-11	-320	28-11409-1	7-8	310
28-114016-7	3-5A	160	28-11412-3	7-1	170
28-114016-7	7-10	250	28-11412-4	7-1	-175
28-114016-7	7-11	310	28-11413-10	7-8	-90A
28-114017-1	7-10	130	28-11413-11	7-8	100
28-114017-1	7-11	200	28-11413-12	7-8	-100A
28-114018-1	7-10	160	28-11413-13	7-8	-100B
28-114018-1	7-11	220	28-11413-3	7-8	-70
28-114019-11	7-11	-110	28-11413-4	7-8	80
28-114019-11	7-12	80	28-11413-5	7-10	310
28-114019-13	7-11	-130	28-11413-6	7-10	-320
28-114019-15	7-12	70	28-11413-9	7-8	90
28-114019-3	7-10	10	28-11414-1	7-1	-
28-114019-3	7-11	-100	28-11414-2	7-1	-
28-114019-3	7-12	-	28-11414-3	7-1	-460
28-114019-5	7-10	80	28-11414-4	7-1	450
28-11402-1	7-8	20	28-11414-5	7-1	-480
28-11402-1	7-9	30	28-11414-6	7-1	470
28-11402-1	7-11	480	28-11417-1	7-1	120
28-114022-1	7-10	50	28-11418-1	7-1	-
28-114022-1	7-12	60	28-11418-2	7-1	-

ENSTROM F-28/280 SERIES ILLUSTRATED PARTS CATALOG

PART NUMBER INDEX

Part Number	Figure	Item	Part Number	Figure	Item
28-11420-1	7-8	60	28-11484-11	7-4	580
28-11425-10	7-1	770	28-11484-13	7-4	380
28-11425-2	7-1	–	28-11500-1	3-17	–
28-11425-2	7-2	–	28-11500-3	3-17	50
28-11425-3	7-1	720	28-11501-1	3-16	–
28-11425-3	7-2	10	28-11501-10	3-16	20
28-11425-4	7-1	710	28-11501-12	3-16	10
28-11425-4	7-2	–20	28-11501-15	3-16	10
28-11425-5	7-1	760	28-11501-17	3-16	10
28-11425-5	7-2	–70	28-11501-3	3-16	–
28-11425-6	7-1	750	28-11501-3	3-17	10
28-11425-6	7-2	60	28-11501-4	3-16	40
28-11425-7	7-1	740	28-11501-4	3-17	170
28-11425-8	7-1	730	28-11501-901	3-16	50
28-11425-9	7-1	780	28-11502-5	3-16	60
28-11427-1	7-1	220	28-11504-1	9-2	43
28-11428-1	7-1	310	28-11600-13	9-2	1
28-11430-1	9-1	11	28-11600-17	9-2	2
28-11431-1	9-1	13	28-11600-19	9-2	28
28-11435-1	7-1	180	28-11600-20	9-1	26
28-11435-1	7-4	390	28-11600-21	9-1	27
28-11436	7-1	110	28-116002-13	6-11	140
28-11437-1	7-1	380	28-116002-15	6-11	140
28-11438-1	7-1	390	28-11600-3	9-1	17
28-11440-1	7-1	490	28-11600-4	9-1	18
28-11440-1	7-10	–	28-116004-3	9-1	20
28-11440-1	7-10	–	28-116004-30GEN	9-1	–20A
28-11442-1	7-8	200	28-11600-5	9-1	16
28-11443-1	7-10	–	28-116005-1	9-1	21
28-11443-1	7-10	–	28-116005-3	9-1	–21A
28-114501-1	7-11	–70	28-116005-30GEN	9-1	–21B
28-114509	7-11	–80	28-11600-6	9-2	2A
28-11452	10-1	22	28-116006-1	9-1	22
28-11460-1	7-10	330	28-116006-10GEN	9-1	–22A
28-11460-3	7-9	80	28-11600-7	9-2	1A
28-11461-1	9-5	100	28-116007-1	9-1	23
28-11462-11	9-5	95	28-116007-3	9-1	–23A
28-11464-1	9-5	75	28-116007-30GEN	9-1	–23B
28-11466-1	9-5	70	28-11600-8	9-1	19
28-11468-2	9-5	35	28-116008-1	9-1	24

ENSTROM F-28/280 SERIES ILLUSTRATED PARTS CATALOG

PART NUMBER INDEX

Part Number	Figure	Item	Part Number	Figure	Item
28-116008-10GEN	9-1	-24A	28-11624-7	9-4	-
28-11600-9	9-2	28A	28-11624-9	9-4	-
28-116009-1	9-1	25	28-11624-101	9-4	-
28-11603-1	9-2	3	28-11625-11	9-4	160
28-11603-13	9-4	30	28-11625-11-GEN	9-4	-160A
28-11607-11	7-2	-90	28-11625-13	9-3	420
28-11607-12	7-2	80	28-11626	9-3	-
28-11608-11	9-3	30	28-11627-1	9-4	-14A
28-11608-11	9-4	30	28-11627-1-GEN	9-4	14
28-11608-13	9-3	30	28-11627-2	9-4	-14C
28-11610-3	9-3	-	28-11627-2-GEN	9-4	-14B
28-11610-5	9-3	-	28-11700	7-1	-
28-11611-1	9-3	440	28-11701-1	7-1	830
28-11611-2	9-3	430	28-11702-1	7-1	840
28-11612-11	9-3	-	28-11702-2	7-1	-845
28-11613-11	9-3	460	28-11703-1	7-1	850
28-11613-12	9-3	450	28-11703-2	7-1	-855
28-11614-11	9-3	480	28-11708-1	7-1	-
28-11614-12	9-3	470	28-11708-1	7-3	30
28-11615-13	9-3	490	28-11708-2	7-1	-
28-11615-15	9-3	490	28-11708-2	7-3	-40
28-11618-11	9-3	510	28-11709-1	7-1	-
28-11618-12	9-3	500	28-11709-2	7-1	-
28-11619-1-GEN	9-4	-	28-11709-3	7-3	140
28-11619-2-GEN	9-4	-	28-11709-4	7-3	-150
28-11620-1	9-4	130	28-11710-1	7-1	690
28-11620-3	9-4	-130A	28-11710-1	7-3	110
28-11621-11	9-4	170	28-11710-11	7-1	690
28-11621-13	9-4	180	28-11710-11	7-3	110
28-11622-1	9-4	20	28-11710-12	7-1	-695
28-11622-13	9-3	21	28-11710-12	7-3	-120
28-11622-15	9-4	20A	28-11710-2	7-1	-695
28-11622-17	9-3	21A	28-11710-2	7-3	-120
28-11622-21	9-4	20A	28-11711-11	7-1	-
28-11622-21CGEN	9-4	-20B	28-11711-11	7-3	10
28-11622-21VGEN	9-4	20A	28-11711-12	7-1	-
28-11622-5	9-4	-20C	28-11711-12	7-3	-20
28-11623-1	9-4	-	28-11711-13	7-3	-22
28-11623-2	9-4	-	28-11711-14	7-3	-24
28-11624-5	9-4	-	28-11711-17	7-1	-

ENSTROM F-28/280 SERIES ILLUSTRATED PARTS CATALOG

PART NUMBER INDEX

Part Number	Figure	Item	Part Number	Figure	Item
28-11711-17	7-3	10	28-121013-1	3-7	20
28-11711-18	7-1	–	28-121014-1	3-7	30
28-11711-18	7-3	–20	28-12112-4	3-9	10
28-11712-11	7-1	–	28-12112-5	3-9	10
28-11712-11	7-3	160	28-12112-9	3-9	10
28-11712-15	7-3	160	28-12116-11	3-9	50
28-11713-11	7-4	90	28-12118-2	3-9	10
28-11713-12	7-4	–100	28-12122-1	3-9	20
28-11713-15	7-4	120	28-12122-3	3-9	20
28-11714-1	7-3	–	28-12125-1	3-9	30
28-11714-11	7-3	–26	28-12127-11	3-9	80
28-11714-2	7-3	–	28-12128-5	3-9	–
28-11714-3	7-3	–	28-12128-9	3-9	–
28-11714-4	7-3	–	28-12133-11	3-23	630
28-11714-5	7-3	–	28-12134-13	3-8	20
28-11714-6	7-3	–	28-12134-15	3-8	20
28-11715-11	7-4	20	28-12134-991	3-8	–
28-11715-11	7-5	–	28-12140-1	3-5	20
28-121000-19	3-3	330	28-12141-11	3-30	20A
28-121000-19	3-5	100	28-12142-1	3-22	60
28-121000-901	3-7	–	28-12145-1	3-5	10
28-12100-10	3-22	320	28-12146-1	3-22	450
28-121001-1	3-9	30	28-12146-1	3-23	450
28-12100-12	3-22	450	28-12149-1	3-20	40
28-12100-13	11-10	60	28-12149-1	3-20A	40
28-121005-19	3-8	30	28-12149-1	3-20B	40
28-12100-6	11-10	110	28-12149-3	3-20A	–40A
28-12100-7	11-10	10	28-12150-1	3-7	350
28-121007-1	3-4	210	28-12151-1	3-7	300
28-12100-8	3-22	60	28-12155-1	3-8	60
28-121008-1	3-4	230	28-12155-15	3-8	65
28-121008-3	3-4	230	28-12158-11	3-7	370
28-12100-9	11-10	20	28-12160-11	3-7	340
28-12100-903	3-6	40	28-12162-1	3-3	250
28-12100-904	3-6	30	28-12164-9	3-4	30
28-121009-3	3-8	90	28-123005-5	3-4	70
28-121011-1	3-8	130	28-123007-1	3-3	70
28-12101-11	3-22	190	28-123007-11	3-3	70
28-121011-3	3-8	10	28-123009-11	3-3	80
28-121012-11	3-8	40	28-123009-13	3-3	90

ENSTROM F-28/280 SERIES ILLUSTRATED PARTS CATALOG

PART NUMBER INDEX

Part Number	Figure	Item	Part Number	Figure	Item
28-123009-15	3-3	90	28-12359-13	3-3	–
28-123009-17	3-3	80	28-12360-1	3-3	190
28-12301-1	3-1	20	28-12361-1	3-2	10
28-123011-1	3-4	160	28-12362-1	3-2	–
28-123012-1	3-4	130	28-12362-1	3-2	100
28-123013-1	3-4	110	28-12400-12	3-24	260
28-123014-1	3-4	20	28-12400-12	11-13	160
28-123015-1	3-4	10	28-12400-16	3-24	50
28-123016-1	3-4	200	28-124002-3	3-23	61
28-123017-1	3-7	100	28-12400-23	3-22	40
28-123018-1	3-23	210	28-12400-23	3-23	40
28-123019-1	3-2	280	28-124003-1	3-4	180
28-123019-1	3-3	40	28-124003-13	3-23	430
28-12302-1	3-1	10	28-124003-19	3-23	–
28-123022-11	3-3	10	28-124003-5	3-8	70
28-123024-1	3-4	150	28-124005-1	3-23	484
28-12305	10-1	13	28-124006-11	3-23	150
28-12305	10-1	2	28-12400-910	3-23	330
28-12305	10-2	14	28-12400-919	3-24	90
28-12305	10-2	2	28-12401-1	3-24	10
28-12305-1	3-18	40	28-12401-2	3-24	20
28-12305-1	7-9	240	28-12408-1	3-25	40
28-12313-1	3-1	150	28-12409-1	3-25	30
28-12329-1	3-1	120	28-12410-1	3-25	100
28-12329-1	3-2	280	28-12411-3	3-25	80
28-12335-1	3-2	40	28-12415-9	3-2	130
28-12341-1	3-2	90	28-12416-3	3-24	480
28-12344-11	3-2	–	28-12416-3	11-21	220
28-12345-1	3-2	–	28-12416-4	3-24	470
28-12350-1	3-2	110	28-12417-1	3-26	160
28-12350-2	3-2	110	28-12417-11	3-26	160
28-12350-3	3-2	110	28-12418-1	3-24	500
28-12350-5	3-2	110	28-12419-1	3-24	520
28-12353-1	3-2	70	28-12420-11	3-24	580
28-12354-1	3-2	20	28-12420-11	11-21	230
28-12354-2	3-2	20	28-12420-13	3-24	570
28-12357-1	3-1	100	28-12420-13	11-21	240
28-12357-1	3-2	50	28-12420-15	3-24	560
28-12358-1	3-2	200	28-12420-15	11-21	250
28-12359-11	3-3	–	28-12421-1	3-24	–

ENSTROM F-28/280 SERIES ILLUSTRATED PARTS CATALOG

PART NUMBER INDEX

Part Number	Figure	Item	Part Number	Figure	Item
28-12422-1	3-24	30	28-12462-1	3-23	230
28-12424-1	3-24	610	28-12462-3	3-23	590
28-12424-1	11-21	260	28-12463-1	3-23	480
28-12425-1	11-21	270	28-12464-3	3-23	60
28-12425-1	3-24	620	28-12470-11	11-8	335
28-12426-1	11-21	280	28-12470-11	11-9	265
28-12427-1	11-21	290	28-12470-11	11-15	–
28-12428-1	11-21	300	28-12470-11	11-15	–
28-12429-3	3-24	11	28-12470-11	11-7	710
28-12429-4	3-24	21	28-12471-11	11-8	445
28-12433-1	3-24	600	28-12471-11	11-9	350
28-12433-1	11-21	310	28-12471-11	11-15	–
28-12433-1	11-21	70	28-12471-11	11-7	940
28-12433-13	11-21	320	28-12472-11	11-8	345
28-12433-2	3-24	600	28-12472-11	11-9	275
28-12433-2	11-21	310	28-12472-11	11-15	–
28-12433-21	11-21	80	28-12472-11	11-7	700
28-12436-1	3-24	400	28-12473-11	11-8	435
28-12436-1	3-24	410	28-12473-11	11-9	345
28-12437-1	3-24	420	28-12473-11	11-15	–
28-12437-3	3-24	420	28-12473-11	11-15	–
28-12438-3	3-24	210	28-12473-11	11-7	920
28-12439-1	3-24	330	28-12473-11	3-23	–
28-12440-1	3-24	110	28-12474-11	11-8	450
28-12441-1	3-24	390	28-12474-11	11-9	360
28-12441-3	3-24	390	28-12474-11	11-15	–
28-12450-11	3-24	590	28-12474-11	11-7	960
28-12450-11	11-21	330	28-12475-11	11-8	440
28-12450-13	3-24	590	28-12475-11	11-9	355
28-12450-13	11-21	340	28-12475-11	11-15	–
28-12451-1	3-24	370	28-12475-11	11-7	930
28-12452-1	3-24	290	28-12478-11	3-24	630
28-12453-1	3-24	280	28-12479-11	11-21	90
28-12456-1	3-24	400	28-12480-1	3-23	540
28-12457-1	3-24	410	28-125000-11	3-28	–
28-12458-1	3-24	330	28-12500-1	3-27	–
28-12459-1	3-24	370	28-125007	10-1	1
28-12460-1	3-24	340	28-125007	10-2	1
28-12461-1	3-23	340	28-125008-1	3-8	160
28-12461-3	3-23	600	28-125011-1	3-29	10

ENSTROM F-28/280 SERIES ILLUSTRATED PARTS CATALOG

PART NUMBER INDEX

Part Number	Figure	Item	Part Number	Figure	Item
28-125011-31	3-29	40	28-12570-3	3-28	370
28-125011-33	3-29	50	28-12574-11	3-28	210
28-125011-49	3-29	50	28-12575-1	3-3	160
28-125011-5	3-29	30	28-12575-1	3-3	340
28-125016-11	3-28	–	28-12576-1	3-3	280
28-125017-1	3-28	180	28-12577-1	3-28	130
28-125082-1	3-29	20	28-12577-1	3-3	–
28-125082-3	3-29	20	28-12600-4	3-18	80
28-125082-3	3-8	–	28-12600-4	3-19	160
28-12545-3	3-28	–	28-126004-1	3-19	10
28-12546-11	3-28	30	28-126004-11	3-19	–
28-12546-11	3-28	90	28-126005-1	3-19	50
28-12550-101	3-28	120	28-126006-1	3-19	20
28-12550-109	3-28	10	28-126007-17	3-20	240
28-12550-113	3-28	60	28-126007-3	3-20	240
28-12550-115	3-28	70	28-126007-3	3-20A	240
28-12550-3	3-28	80	28-126007-3	3-20B	240
28-12550-5	3-28	20	28-126007-5	3-20	220
28-12551-13	3-28	270A	28-126007-5	3-20A	220
28-12551-15	3-28	270	28-126007-5	3-20B	220
28-12551-17	3-28	270	28-126007-7	3-20	220
28-12551-19	3-28	270	28-126008-1	3-20	330
28-12551-21	3-28	270	28-126008-1	3-20A	330
28-12551-21	3-28	270	28-126008-1	3-20B	330
28-12552-3	3-28	190	28-126008-13	3-20	–
28-12552-5	3-28	190	28-126008-3	3-20	330
28-12554-101	3-28	231B	28-126008-3	3-20A	330
28-12554-103	3-28	231A	28-126008-3	3-20B	330
28-12554-7	3-28	231D	28-12601-1	3-21	10
28-12554-9	3-28	231C	28-12603-1	3-21	–
28-12555-1	3-28	240A	28-12603-3	3-21	–
28-12555-7	3-28	240	28-12603-4	3-21	–
28-12555-7	3-28	240	28-12605-1	3-21	–
28-12555-7	3-28	240	28-12607-101	3-20	230
28-12555-7	3-28	240	28-12607-101	3-20A	230
28-12560-1	3-28	260	28-12607-101	3-20B	230
28-12560-1	3-28	260	28-12607-13	3-20	250
28-12560-1	3-28	260	28-12607-13	3-20A	250
28-12560-1	3-28	260	28-12607-13	3-20B	250
28-12561-1	3-28	130	28-12607-6	3-20	250

ENSTROM F-28/280 SERIES ILLUSTRATED PARTS CATALOG

PART NUMBER INDEX

Part Number	Figure	Item	Part Number	Figure	Item
28-12607-6	3-20A	250	28-12611-8	3-18	50
28-12607-6	3-20B	250	28-12612-1	3-18	70
28-12607-8	3-20	230	28-12613-1	3-18	10
28-12607-8	3-20A	230	28-12613-4	3-20	270
28-12607-8	3-20B	230	28-12613-4	3-20A	270
28-12607-9	3-20	250	28-12613-4	3-20B	270
28-12608-1	3-18	100	28-12613-5	3-20	260
28-12608-3	3-18	–	28-12613-5	3-20A	260
28-12608-4	3-18	–	28-12613-5	3-20B	260
28-12608-4	3-20	–	28-12614-1	3-20	290
28-12608-4	3-20A	–	28-12614-1	3-20A	290
28-12608-4	3-20B	–	28-12614-1	3-20B	290
28-12609-1	3-18	90	28-12615-1	3-20	300
28-12609-11	3-20	–	28-12615-1	3-20A	300
28-12609-11	3-20A	–	28-12615-1	3-20B	300
28-12609-3	3-18	90	28-12616-1	3-20	280
28-12609-3	3-20	310	28-12616-1	3-20A	280
28-12609-3	3-20A	310	28-12616-1	3-20B	280
28-12609-3	3-20B	310	28-12617-1	3-20	320
28-12609-5	3-20	310	28-12617-13	3-20	–
28-12609-5	3-20A	310	28-12617-13	3-20A	–
28-12609-5	3-20B	310	28-12617-13	3-20B	–
28-12609-6	3-20	–	28-12617-14	3-20	–
28-12609-6	3-20A	–	28-12617-14	3-20A	–
28-12610-12	3-20	170	28-12617-14	3-20B	–
28-12610-12	3-20A	170	28-12617-1	3-20A	320
28-12610-12	3-20B	170	28-12617-1	3-20B	320
28-12610-13	3-20	180	28-12618-1	3-6	220
28-12610-13	3-20A	180	28-12618-1	3-7	190
28-12610-13	3-20B	180	28-12618-13	3-7	200
28-12610-3	3-20	10	28-12618-5	3-6	220
28-12610-3A	3-20	–	28-12618-5	3-7	190
28-12610-3A	3-20A	–	28-12619-1	3-20	480
28-12611-1	3-18	20	28-12619-1	3-20A	480
28-12611-4	3-18	60	28-12619-1	3-20B	480
28-12611-5	3-18	30	28-12619-4	3-20	–
28-12611-5	3-19	–	28-12619-4	3-20A	–
28-12611-5	3-20	150	28-12619-4	3-20B	–
28-12611-5	3-20A	150	28-12619-5	3-20	–
28-12611-5	3-20B	150	28-12619-5	3-20A	–

ENSTROM F-28/280 SERIES ILLUSTRATED PARTS CATALOG

PART NUMBER INDEX

Part Number	Figure	Item	Part Number	Figure	Item
28-12619-5	3-20B	–	28-12650-1	3-20	–
28-12620-1	3-20	190	28-12650-1	3-20B	–
28-12620-1	3-20A	190	28-12650-11	3-20B	–
28-12620-1	3-20B	190	28-12650-17	3-20B	–
28-12621-1	3-18	–	28-12651-11	3-20B	–
28-12621-1	3-20	–	28-12651-13	3-20	–
28-12621-1	3-20A	–	28-12651-13	3-20A	–
28-12621-1	3-20B	–	28-12651-13	3-20B	–
28-12623-1	3-6	180	28-12652-13	3-20	–
28-12624-1	3-6	210	28-12652-13	3-20A	–
28-12624-1	3-7	200	28-12652-5	3-20	–
28-12625-1	3-6	190	28-12652-5	3-20	–
28-12626-1	3-6	200	28-12653-13	3-20	–
28-12626-1	3-7	270	28-12653-13	3-20A	–
28-12626-13	3-6	200	28-12653-5	3-20	–
28-12626-13	3-7	270	28-12654-11	3-7	220
28-12628-11	3-20	290	28-12654-13	3-7	230
28-12629-11	3-20	280	28-12655-1	3-20B	50
28-12630-11	3-20	–	28-12655-3	3-20A	50
28-12642-1	3-21	–	28-12655-3	3-20B	50
28-12644-1	3-21	–	28-12655-5	3-20	50
28-12645-1	3-20B	200	28-12655-5	3-20A	50
28-12646-11	3-20A	–	28-12656-1	3-20B	30
28-12646-11	3-20B	–	28-12656-3	3-20	30
28-12646-13	3-20	–	28-12656-3	3-20A	30
28-12646-13	3-20A	–	28-12658-11	3-20B	–
28-12646-13	3-20B	–	28-12659-1	3-20	130
28-12646-15	3-20	–	28-12659-13	3-20B	–
28-12646-15	3-20A	–	28-12659-15	3-20	130
28-12646-15	3-20B	–	28-12659-15	3-20A	130
28-12646-17	3-20	–	28-12659-16	3-20A	140
28-12646-17	3-20A	–	28-12659-17	3-20	140
28-12646-17	3-20B	–	28-12659-17	3-20A	140
28-12646-21	3-20	–	28-12662-1	3-20	60
28-12647-1	3-20A	200	28-12662-1	3-20A	60
28-12647-1	3-20B	200	28-12662-11	3-20B	60
28-12647-3	3-20	200	28-12662-13	3-20A	60
28-12647-5	3-20	200	28-12662-13	3-20B	60
28-12648-1	3-19	70	28-12663-11	3-20B	–
28-12649-1	3-19	60	28-12664-11	3-7	240

ENSTROM F-28/280 SERIES ILLUSTRATED PARTS CATALOG

PART NUMBER INDEX

Part Number	Figure	Item	Part Number	Figure	Item
28-12666-1	3-20B	–	28-12683-11	3-20B	–
28-12666-1	3-20B	110	28-12683-13	3-20	–
28-12666-3	3-20	110	28-12683-13	3-20A	–
28-12666-3	3-20A	110	28-12683-13	3-20B	–
28-12666-3	3-20B	110	28-12683-13	3-20B	–
28-12667-11	3-20	–	28-12683-15	3-20B	–
28-12667-11	3-20B	–	28-12683-3	3-20B	–
28-12667-13	3-20B	–	28-12683-3	3-20B	100
28-12668-11	3-20	–	28-12684-11	3-20B	–
28-12668-11	3-20A	–	28-12684-11	3-20B	–
28-12668-11	3-20B	–	28-12685-11	3-20B	–
28-12668-13	3-20B	–	28-12685-13	3-20B	–
28-12669-11	3-20B	–	28-12686-11	3-20	490
28-12674-1	3-20B	70	28-12686-11	3-20A	490
28-12675-1	3-20B	10	28-12686-11	3-20B	490
28-12675-3	3-20A	10	28-12687-1	3-20	120
28-12676-1	3-20B	–	28-12687-1	3-20A	120
28-12676-3	3-20B	–	28-12687-1	3-20B	120
28-12676-5	3-20B	–	28-12688-1	3-20A	70
28-12676-7	3-20A	–	28-12688-13	3-20A	–
28-12676-9	3-20A	–	28-12688-15	3-20A	–
28-12676-901	3-20	–	28-12688-17	3-20A	–
28-12677-1	3-20B	160	28-12688-19	3-20A	–
28-12677-3	3-20B	160	28-12688-25	3-20A	–
28-12678-11	3-20B	–	28-12688-29	3-20	–
28-12679-1	3-20B	130	28-12688-29	3-20A	–
28-12679-3	3-20B	130	28-12688-3	3-20A	70
28-12681-1	3-20B	80	28-12688-5	3-20	70
28-12681-3	3-20B	80	28-12688-5	3-20A	70
28-12681-5	3-20	80	28-12689-11	3-20	160
28-12681-5	3-20A	80	28-12689-11	3-20A	160
28-12682-11	3-20	90	28-127000-1	10-1	–
28-12682-11	3-20A	90	28-127000-11	10-1	3
28-12682-11	3-20B	90	28-127000-11	10-2	3
28-12682-13	3-20B	–	28-127001	10-2	–
28-12683-1	3-20	100	28-127002-1	10-4	–
28-12683-1	3-20A	100	28-127002-9	10-4	–
28-12683-1	3-20B	100	28-127002-3	10-3	–
28-12683-11	3-20	–	28-127002-5	10-4	–
28-12683-11	3-20A	–	28-12701-3	10-1	15

ENSTROM F-28/280 SERIES ILLUSTRATED PARTS CATALOG

PART NUMBER INDEX

Part Number	Figure	Item	Part Number	Figure	Item
28-12701-4	10-1	12	28-127524-1	10-4	280
28-12701-4	10-2	13	28-12816-1	11-21	350
28-12701-5	10-1	5	28-12830-11	11-21	100
28-12701-5	10-2	5	28-12830-11	7-5	170
28-12705	10-1	16	28-13005-1	5-6	260
28-12705	10-3	19	28-13101-1-R	5-6	10
28-12706	10-1	14	28-13101-5-R	5-6	10
28-12706	10-2	15	28-13107-13	5-6	210
28-12706-1	7-9	230	28-13107-15	5-6	210
28-12706-11	3-5A	10	28-13117-4	5-7	20
28-12706-11	7-9	230	28-13117-5	5-7	30
28-12714	10-1	9	28-13117-6	5-7	45
28-12714	10-2	10	28-13117-7	5-7	50
28-12718	10-1	10	28-13117-8	5-7	35
28-12718	10-2	11	28-13117-9	5-7	40
28-12719	8-5	–	28-13120-1	5-6	150
28-12719-11	8-5	590	28-13122-1	5-7	10
28-12719-12	8-5	–600	28-13122-991	5-7	–
28-127502-1	10-4	340	28-13129-13	5-4	280
28-127508-1	10-3	10	28-13134-5	5-6	180
28-127508-1	10-4	280	28-13137-1	5-6	60
28-127509-1	10-3	5	28-13137-11	5-6	60
28-127509-1	10-4	120	28-13142-1	5-4	180
28-127510-1	10-3	3	28-13145-1	12-1	–190
28-127510-1	10-4	100	28-13145-1	4-4	300
28-127510-3	10-4	100	28-13148-1	5-6	70
28-127520-11	10-3	2	28-13149-1	5-6	80
28-127520-11	10-4	20	28-13170-103	5-6	10
28-127520-13	10-3	1	28-13170-3-R	5-6	10
28-127520-13	10-4	10	28-13170-7-R	5-6	10
28-127520-15	10-4	30	28-13170-900	5-6	10
28-127520-17	10-2	25	28-13170-903	5-4	240
28-127520-17	10-4	360	28-13170-905	5-4	–
28-127520-19	10-2	26	28-13170-909	5-6	10
28-127520-19	10-4	350	28-13170-9-R	5-6	10
28-127520-25	10-3	16	28-13177-1	5-6	100
28-127520-29	10-4	10	28-13180-11	5-4	270
28-127521-11	10-3	11	28-13181-11	5-4	300
28-127521-11	10-4	290	28-13182-1	5-4	330
28-127523-1	10-4	120	28-13182-11	5-4	330

ENSTROM F-28/280 SERIES ILLUSTRATED PARTS CATALOG

PART NUMBER INDEX

Part Number	Figure	Item	Part Number	Figure	Item
28-13184-11	5-4	350	28-13250-11	5-2	20
28-132001-11	5-4	100	28-13251-1	5-2	30
28-132001-13	5-4	100	28-13252-1	5-2	80
28-132005-1	5-3	–	28-13253-1	5-2	10
28-132005-11	5-3	490	28-13254-1	5-2	40
28-132005-3	5-3	–	28-13255-1	5-2	130
28-132006-11	5-3	530	28-13256-1	5-2	70
28-132008-11	5-3	380	28-13259-4	5-1	60
28-132009-11	5-3	540	28-13259-4	5-2	–
28-132010-13	5-4	100	28-13260-1	5-1	380
28-132020-901	5-1	–	28-13263-1	5-2	150
28-132020-903	5-3	–	28-13264-1	5-1	80
28-132020-904	5-3	–	28-13265-1	5-1	100
28-132022-1	5-1	–	28-13266-1	5-1	160
28-132022-11	5-1	330	28-13266-15	5-1	200
28-132022-2	6-11	200	28-13267-1	5-1	190
28-132022-3	6-11	200	28-13267-11	5-1	210
28-13210-13	5-4	110	28-13268-1	5-1	30
28-13211-1	5-4	70	28-13269-1	5-1	140
28-13212-1	5-4	30	28-13271-1	5-4	190
28-13215-1	5-4	250	28-13273-1	5-4	100
28-13215-3	5-4	250	28-13273-13	5-4	100
28-13227-5	5-4	10	28-13274-1	5-1	180
28-13229-1	5-3	10	28-13276-1	5-5	320
28-13230-1	5-3	20	28-13277-1	5-1	40
28-13231-3	5-4	170	28-13278-1	5-3	310
28-13231-4	5-4	170	28-13279-1	5-2	120
28-13231-5	5-4	170	28-13280-3	5-1	230
28-13231-6	5-4	170	28-13280-4	5-1	240
28-13231-7	3-21	60	28-13281-3	5-4	420
28-13231-7	5-4	170	28-13281-4	5-4	420
28-13232-1	5-6	40	28-13281-5	5-4	420
28-13233-1	5-3	70	28-13282-3	5-3	290
28-13234-1	5-3	80	28-13282-4	5-3	290
28-13238-1	5-3	110	28-13282-5	5-3	290
28-13238-1	5-6	30	28-13283-1	5-1	90
28-13245-901	5-3	230	28-13284-1	5-1	430
28-13246-1	5-3	260	28-13285-4	5-5	340
28-13248-1	5-3	250	28-13285-5	5-1	250
28-13250-1	5-2	20	28-13285-6	5-1	50

ENSTROM F-28/280 SERIES ILLUSTRATED PARTS CATALOG

PART NUMBER INDEX

Part Number	Figure	Item	Part Number	Figure	Item
28-13285-7	5-1	170	28-13600-7	12-2	50B
28-13292-1	5-3	50	28-13600-8	12-2	50C
28-13292-4	5-3	60	28-13605-3	12-3	60
28-13296-1	5-3	280	28-13605-4	12-3	60
28-13297-1	5-3	240	28-13605-4	7-5	440
28-13299-1	5-3	420	28-13605-5	12-3	60
28-13299-3	5-3	420	28-13605-5	7-5	-440A
28-13300-13	5-4	100	28-13605-6	12-3	60
28-13302-1	5-4	430	28-13605-6	7-5	-440B
28-13302-11	5-4	430	28-13605-7	12-3	60
28-13302-13	5-4	430	28-13605-7	7-5	-440C
28-13303-11	5-4	300	28-13605-8	12-3	60
28-13305-1	5-4	40	28-13605-8	7-5	-440D
28-13306-1	5-4	150	28-13606-1	12-3	40
28-13313-1	5-3	140	28-13607-1	12-2	40
28-13316-1	5-3	170	28-13611-1	12-3	10
28-13316-913	5-3	180	28-13613-1	12-2	20
28-13318-1	5-3	340	28-13613-901	12-2	-20A
28-13318-7	5-3	340	28-13614-1	12-2	30
28-13319-1	5-4	60	28-13614-1	5-6	248
28-13321-11	5-4	430	28-13614-1DR	12-2	-30A
28-13321-13	5-4	430	28-13617-902	12-3	-5
28-13321-15	5-4	430	28-13617-903	12-2	-5
28-13321-17	5-4	430	28-13617-905	12-2	-5A
28-13322-11	5-4	300	28-13618-1	12-2	10
28-13323-11	5-4	280	28-13619-1	12-2	140
28-13401-4	5-4	200	28-13621-11	12-2	150
28-135003-1	12-1	30	28-13621-13	12-2	150
28-135003-11	12-1	30	28-13623-11	12-2	50A
28-13511-11	12-1	180	28-13623-13	12-2	50B
28-13515-3	12-1	50	28-13623-17	12-2	50C
28-13525-5	12-1	-10	28-13623-25	12-2	60A
28-13525-7	12-1	10A	28-13623-27	12-2	60B
28-13525-7	12-5	510	28-13623-29	12-2	60C
28-13531-11	12-1	140	28-13623-31	12-2	60D
28-13532-11	12-1	160	28-14004-1	4-1	380
28-13600-3	12-2	60A	28-14006-11	4-1	280
28-13600-4	12-2	60B	28-14006-13	4-1	280
28-13600-5	12-2	60C	28-14006-15	4-1	280
28-13600-6	12-2	50A	28-14006-17	4-1	280

ENSTROM F-28/280 SERIES ILLUSTRATED PARTS CATALOG

PART NUMBER INDEX

Part Number	Figure	Item	Part Number	Figure	Item
28-14006-19	4-1	280	28-14227-11	4-3	10
28-14006-3	4-1	280	28-14228-1	4-1	170
28-14006-5	4-1	280	28-14228-15	4-1	170
28-14006-7	4-1	280	28-14231-1	4-2	50
28-14006-9	4-1	280	28-14233-2	4-3	60
28-14007-1	4-2	250	28-14233-3	4-3	60
28-14007-3	4-2	250	28-14234-9	4-2	–
28-14008-1	4-1	370	28-14234-901	4-2	–
28-14009-1	4-1	350	28-14234-909	4-2	–
28-14009-2	4-1	350	28-14235-1	4-1	360
28-14009-3	4-1	350	28-14236-1	4-1	220
28-14009-5	4-1	350	28-14236-1	4-1	270
28-14019-10	4-3	40	28-14236-1	4-3	30
28-14019-2	4-3	40	28-14239-1	4-2	210
28-14019-3	4-3	40	28-14239-11	4-2	–
28-14019-5	4-3	40	28-14239-3	4-2	–
28-14019-6	4-3	40	28-14239-5	4-2	210
28-14100-9	4-2	240	28-14240-1	4-2	20
28-14109-1	4-2	380	28-14244-1	4-1	80
28-14110-1	4-2	–	28-14248-1	5-3	510
28-14110-2	4-2	–	28-14250-1	4-1	–
28-14110-3	4-2	–	28-14250-1	8-4	40
28-14117-1	4-1	200	28-14250-3	8-4	50
28-14117-11	4-1	200	28-14251-1	4-1	230
28-14119-11	4-2	242	28-14251-2	4-1	240
28-14120-11	12-9	90	28-14256-1	4-1	290
28-14120-11	12-10	110	28-14257-1	4-1	300
28-14121-11	12-10	120	28-14259-1	4-3	150
28-14141-913	4-2	370	28-14259-3	8-4	160
28-14202-1	4-1	40	28-14259-3	8-5	480
28-14207-1	8-4	30	28-14261-1	4-2	100
28-14207-101	8-4	30	28-14262-1	8-4	80
28-14207-7	8-4	30	28-14265-3	4-4	100
28-14219-3	4-1	–	28-14268-1	4-4	–
28-14219-7	4-1	–	28-14270-1	4-2	–
28-14219-901	4-1	–	28-14270-1	11-21	360
28-14223-1	4-1	100	28-14276-1	4-4	20
28-14224-1	4-1	70	28-14277-1	4-4	30
28-14224-3	4-1	130	28-14278-1	4-2	330
28-14227-1	4-1	180	28-14278-1	8-4	10

ENSTROM F-28/280 SERIES ILLUSTRATED PARTS CATALOG

PART NUMBER INDEX

Part Number	Figure	Item	Part Number	Figure	Item
28-14279-1	4-2	150	28-14374-13	11-21	370
28-14279-3	4-2	150	28-14374-15	4-4	290
28-14280-1	4-1	90	28-14374-15	11-21	370
28-14280-3	4-1	90	28-14375-101	4-4	–
28-14280-5	4-1	90	28-14375-105	4-4	–
28-14281-1R	4-1	120	28-14375-7	4-4	–
28-14281-3	4-1	120	28-14375-905	4-4	–
28-14281-5	4-1	120	28-14375-906	4-4	–
28-14282-11	4-2	10	28-14381-901	4-2.1	100
28-14282-13	4-2	10	28-14381-902	4-2.1	60
28-14283-1	4-2	280	28-14381-903	4-2	–
28-14290-3	4-1	110	28-14382-19	4-2.1	160
28-14290-5	4-1	110	28-14382-21	4-2.1	90
28-14290-7	4-1	110	28-14383-13	4-2.1	-70
28-14290-9	4-1	110	28-14384-13	4-2.1	-120
28-14293-11	4-2	180	28-14385-15	4-2.1	10
28-14293-13	4-2	180	28-14386-5	4-2.1	40
28-14293-7	4-2	180	28-14389-11	4-2.1	-110
28-14293-9	4-2	180	28-14389-13	4-2.1	-80
28-14311-1	4-2	70	28-150000-10	12-10	–
28-14313-1	4-2	130	28-150000-7	12-10	–
28-14320-15	4-2	170	28-150001-5	12-13	200
28-14335-1	4-2	190	28-150001-5	12-10	10
28-14356-5	4-4	121	28-150001-5	12-11	180
28-14357-3	4-4	10	28-150001-5	12-12	190
28-14357-5	4-4	10	28-150014-14	12-10	90
28-14358-3	4-4	50	28-150015-11	12-10	60
28-14358-4	4-4	120	28-150016-11	12-10	50
28-14359-15	4-4	20	28-15002-1	12-9	30
28-14359-17	4-4	30	28-150026-11	12-10	80
28-14366-1	4-4	210	28-150033-1	12-10	–
28-14367-7	4-4	220	28-150044-5	12-13	210
28-14368-1	6-11	280	28-150044-5	12-11	190
28-14368-2	4-4	230	28-150046-1	12-10	70
28-14369-1	4-4	270	28-150048-1	12-10	260
28-14370-15	4-4	60	28-150050-2	12-11	–
28-14370-17	4-4	60	28-15005-1	12-9	170
28-14371-1	4-4	80	28-150051-1	12-11	70
28-14372-1	4-4	70	28-150053-1	12-11	120
28-14372-3	4-4	70	28-150055	12-10	–

ENSTROM F-28/280 SERIES ILLUSTRATED PARTS CATALOG

PART NUMBER INDEX

Part Number	Figure	Item	Part Number	Figure	Item
28-150055-1	12-13	150	28-150076-17	12-13	30
28-150055-1	12-11	290	28-150076-19	12-13	60
28-150055-1	12-12	140	28-150076-21	12-13	90
28-150055-13	12-13	150	28-150077-1	12-13	–
28-150055-15	12-13	–150A	28-150077-11	12-13	–
28-150060-11	12-13	120	28-150078-10	12-13	80
28-150060-11	12-10	-70A	28-150078-12	12-13	80
28-150060-11	12-11	160	28-150078-13	12-13	80
28-150060-11	12-12	110	28-150078-15	12-13	80
28-150062-11	12-11	90	28-150079-1	12-13	–
28-150062-13	12-11	90	28-150079-5	12-13	–
28-150063-11	12-13	130	28-150079-5	12-5	460
28-150063-11	12-10	–	28-150079-901	12-13	–
28-150063-11	12-11	280	28-15013-1	12-9	240
28-150063-11	12-12	120	28-15017-1	12-9	110
28-150063-13	12-13	–130A	28-15018-3	12-9	–
28-150064-11	12-11	60	28-15027-10	12-9	180
28-150066-11	12-11	140	28-15028-1	12-5	–
28-150067-11	12-12	20	28-15028-1	12-11	30
28-150067-13	12-12	–20A	28-15028-1	12-12	280
28-150067-15	12-13	20	28-15028-1	12-13	310
28-150070-11	12-12	40	28-15030-1	12-13	310
28-150070-13	12-12	–40A	28-15030-1	12-5	470
28-150072-1	12-12	60	28-15030-1	12-11	–
28-150072-10	12-12	60	28-15030-1	12-12	–
28-150072-11	12-12	90	28-15033-1	12-11	240
28-150072-2	12-12	60	28-15033-11	12-11	240
28-150072-20	12-12	60	28-15033-13	12-12	180
28-150072-21	12-12	70	28-15033-5	12-13	190
28-150072-3	12-12	60	28-15202-13	12-9	40
28-150072-5	12-12	60	28-15203-1	12-10	140
28-150072-7	12-12	60	28-15203-3	12-9	60
28-150073-1	12-12	–	28-15203-4	12-9	60
28-150073-5	12-12	–	28-15203-5	12-9	60
28-150074-11	12-12	10	28-15203-6	12-9	60
28-150074-13	12-13	10	28-15206-1	12-9	50
28-150075-11	12-12	–30A	28-15206-1	12-10	150
28-150076-1	12-13	90	28-16005-1	8-15	20
28-150076-13	12-13	70	28-16006-1	3-10	320
28-150076-15	12-13	40	28-16007-3	8-15	30

ENSTROM F-28/280 SERIES ILLUSTRATED PARTS CATALOG

PART NUMBER INDEX

Part Number	Figure	Item	Part Number	Figure	Item
28-16011-1	3-11	500	28-16069-3	9-4	-
28-16011-1	8-15	60	28-16069-5	9-3	-
28-16019-1	8-14	50	28-16070-101	9-1	2B
28-16021-11	3-11	370	28-16070-101	9-4	120
28-16021-11	3-11	370	28-16070-103	9-4	120
28-16022-1	8-15	130	28-16070-105	9-4	125
28-16022-11	3-11	490	28-16070-5	9-1	2C
28-16022-11	3-13	10	28-16070-5	9-3	520
28-16022-11	8-15	130	28-16070-7	9-1	2B
28-16023	8-20	-	28-16070-7	9-4	120
28-16023-4	8-19	-	28-16070-9	9-1	2C
28-16023-7	8-15	10	28-16070-9	9-3	520
28-16024	8-3	-	28-16074-11	3-11	280
28-16024	8-5	-	28-16080	8-20	-
28-16024	8-6	-	28-16080-103	8-14	-
28-16024	8-6A	-	28-16080-103	8-15	-
28-16024	8-8	-	28-16080-105	8-14	-
28-16024-911	8-5A	-	28-16080-105	8-15	-
28-16024-912	8-5A	-	28-16080-105	8-16	-
28-16026-1	8-5	-180A	28-16080-105	8-17	-
28-16026-3	8-5	-180B	28-16080-9	8-14	-
28-16026-5	8-5	-180C	28-16080-9	8-15	-
28-16026-7	8-5	-180D	28-16080-901	3-11	-
28-16026-9	8-5	-180E	28-16083-1	8-21	-50
28-16029-1	8-19	130	28-16087-11	3-11	290
28-16029-2	8-14	-	28-16087-13	3-11	390
28-16029-3	8-14	-	28-16088-13	3-11	50
28-16029-5	8-14	-	28-16096-1	3-11	10
28-16030-1	6-14	-	28-16096-3	3-11	10
28-16030-3	6-14	-	28-16098-11	3-11	170
28-16032-11	8-15	50	28-16099-1	9-1	2D
28-16039-1	8-14	-10	28-16101-101	8-1	-
28-16039-3	8-14	10	28-16101-105	8-4	-
28-16042-11	8-14	20	28-16101-107	8-3A	-
28-16042-11	8-15	40	28-16103-1	8-3A	50
28-16043-13	8-3A	280	28-16105-1	8-3A	30
28-16043-15	8-3A	300	28-16106-2	8-3A	70
28-16043-19	8-3A	140	28-16108-11	8-3A	90
28-16056-1	8-5A	50	28-16108-2	8-3A	90
28-16057-1	8-5A	110	28-16109-1	8-3A	230

ENSTROM F-28/280 SERIES ILLUSTRATED PARTS CATALOG

PART NUMBER INDEX

Part Number	Figure	Item	Part Number	Figure	Item
28-16109-11	8-3A	230	28-16155-5	8-5	90
28-16109-13	8-3A	240	28-16156-1	8-18	140
28-16110-1	8-3A	160	28-16156-1	8-20	100
28-16112-15	8-3A	190	28-16156-1	8-3	120
28-16112-17	8-3A	190	28-16156-1	8-5	30
28-16113-1	8-3A	210	28-16156-1	12-5	–
28-16114-1	8-13	10	28-16156-1	12-5	–
28-16116-1	8-1	220	28-16157-3	8-20	50
28-16116-11	8-1	220	28-16157-3	8-5	400
28-16119-3	8-1	80	28-16157-3	12-5	330
28-16119-5	8-1	80	28-16157-4	8-5	500
28-16123-1	8-1	10	28-16158-1	8-5	70
28-16123-11	8-1	10	28-16159-1	8-5	80
28-16124-1	8-2	40	28-16160-1	8-5	110
28-16125-3	8-3A	110	28-16160-7	8-5	110
28-16125-4	8-3A	120	28-16160-7	8-6A	70
28-16125-5	8-3A	130	28-16162-1	8-18	70
28-16126-1	8-3A	200	28-16162-1	8-19	80
28-16129-2	8-2	30	28-16162-1	8-21	50
28-16131-1	8-3A	220	28-16163	8-18	230
28-16131-11	8-3A	220	28-16163-1	8-13	40
28-16132-1	8-3A	–	28-16168-1	3-10	160
28-16132-3	8-3A	340	28-16168-1	8-13	80
28-16132-4	8-3A	330	28-16169-1	8-12	20
28-16133-1	8-3A	350	28-16169-1	8-13	140
28-16136-1	8-5	–	28-16170-5	8-13	–
28-16136-101	8-5	–	28-16179-1	8-20	130
28-16136-103	8-5	–	28-16179-2	8-20	–130
28-16136-5	8-5	–	28-16180-1	8-18	210
28-16143-1	8-3A	380	28-16180-1	8-19	170
28-16143-3	8-3A	380	28-16181	8-18	130
28-16145-1	8-5	220	28-16182	8-18	150
28-16148-1	8-5A	40	28-16183-1	8-5A	10
28-16148-3	8-5A	40	28-16183-901	8-5A	10
28-16150-1	8-5A	30	28-16186-1	8-19	10
28-16153-1	12-5	–	28-16186-3	8-19	10
28-16153-1	12-5	–	28-16189-1	8-14	150
28-16154-1	12-5	200	28-16189-1	8-20	120
28-16155-4	8-5	120	28-16190-1	8-5	50
28-16155-4	8-6A	100	28-16191-1	8-5	60

ENSTROM F-28/280 SERIES ILLUSTRATED PARTS CATALOG

PART NUMBER INDEX

Part Number	Figure	Item	Part Number	Figure	Item
28-16192-1	8-5	100	28-16210-4	8-20	90
28-16194-5	8-14	60	28-16211-1	8-20	40
28-16197-1	8-3	160	28-16211-1	8-5	390
28-16197-1	8-5	10	28-16211-1	8-8	130
28-16198-1	8-3	130	28-16211-1	7-5	-940
28-16198-1	8-5	40	28-16214-1	8-18	190
28-16200	8-18	-	28-16214-1	8-19	150
28-16200	8-20	-	28-16215-1	3-10	360
28-16200-10	8-12	-	28-16215-1	11-21	380
28-16200-101	8-13	-	28-16216-3	8-18	90
28-16200-4	8-18	50	28-16216-3	8-19	90
28-16200-4	8-19	60	28-16217-11	8-5	360
28-162004-11	8-11	260A	28-16217-13	8-5	-360A
28-16201-1	8-3A	470	28-16217-15	8-5	-360B
28-16201-1	8-9	330	28-16217-17	8-5	-360C
28-16201-1	8-10	330	28-16217-19	8-5	-360D
28-16202-1	8-20	110	28-16217-21	8-5	-360E
28-16202-1	8-5	540	28-16217-23	8-5	-360F
28-16203-1	8-11	170	28-16218-1	8-5	20
28-16203-1	8-3A	480	28-16219-1	8-3	140
28-16203-1	8-4	60	28-16220-1	8-5	300
28-16203-1	8-8	80	28-16220-5	8-5	300
28-16204-1	8-18	120	28-16222-1	8-11	260
28-16204-1	8-19	120	28-16223-19	8-1	210
28-162040-11	8-7	40	28-16224-5	8-1	230
28-162041-1	8-7	-10	28-16225-19	8-1	240
28-162041-2	8-7	-10	28-16226-5	8-1	200
28-162042-11	8-7	30	28-16227-1	8-21	30
28-162043-1	8-7	10	28-16227-3	8-1	160
28-162043-1	8-9	-	28-16228-1	8-1	50
28-162043-3	8-9	-	28-16229-13	8-11	250
28-16205-1	8-5	290	28-16229-15	8-11	250
28-16205-5	8-5	290	28-16230-1	8-11	240
28-16206-11	8-4	20	28-16231-1	8-11	280
28-16208-1	8-14	140	28-16232-1	8-11	30
28-16208-1	8-20	10	28-16233-1	8-11	180
28-16209-1	8-5	490	28-16234-1	8-11	80
28-16209-11	8-5	-490A	28-16235-1	8-11	120
28-16210-3	8-5	530	28-16235-11	8-11	120
28-16210-3	7-5	930	28-16236-1	8-11	220

ENSTROM F-28/280 SERIES ILLUSTRATED PARTS CATALOG

PART NUMBER INDEX

Part Number	Figure	Item	Part Number	Figure	Item
28-16236-15	8-11	220	28-16284-1	8-5	330
28-16236-17	8-11	220	28-16284-1	8-6	30
28-16237-1	8-11	230	28-16284-1	8-6A	90
28-16237-11	8-11	230	28-16290-2	8-5	320
28-16237-13	8-11	230	28-16290-2	8-6	70
28-16238-3	8-11	290	28-16290-2	8-6A	10
28-16238-5	8-11	290	28-16291-1	8-6	90
28-16238-7	8-11	290	28-16291-1	8-6A	30
28-16239-1	8-11	40	28-16292-11	8-6A	–
28-16239-101	8-11	40	28-16293-2	8-6	–
28-16239-5	8-11	40	28-16293-2	8-6A	–
28-16239-9	8-11	40	28-16294-1	8-6	10
28-16242-1	8-11	–320	28-16294-1	8-6A	80
28-16242-5	8-11	–350	28-16294-13	8-6A	80
28-16242-7	8-11	–340	28-16295-1	8-6	–
28-16242-901	8-11	–310	28-16296-11	11-21	390
28-16242-907	8-11	–330	28-16300	12-7	–5
28-16246	8-12	30	28-16300	12-9	–
28-16249	8-12	70	28-16301-3	12-8	10A
28-16250-1	8-12	–	28-16301-4	12-7	10
28-16253-1	8-3A	460	28-16301-4	12-8	10B
28-16253-101	8-3A	420	28-16301-7	12-7	10A
28-16253-103	8-3A	420	28-16301-7	12-8	10C
28-16253-105	8-3A	460	28-16302-1	12-7	80
28-16253-6	8-3A	450	28-16307-1	12-7	110
28-16253-8	8-3A	450	28-16308-1	12-7	40
28-16258-1	8-11	200	28-16308-1	12-7	180
28-16259-1	8-3A	20	28-16308-1	12-8	210
28-16260-1	8-3A	10	28-16308-1	12-5	520
28-16261	8-13	–	28-16309-1	12-7	170
28-16261-1	8-12	10	28-16310-2	12-7	30
28-16263-5	8-1	170	28-16310-2	12-8	200
28-16264-1	8-3A	40	28-16310-2	12-5	530
28-16275-1	8-21	60	28-16311-1	12-7	20
28-16276-1	8-21	40	28-16311-1	12-7	165
28-16283-2	8-6	80	28-16311-1	12-8	–30
28-16283-2	8-6A	20	28-16311-1	12-8	–170
28-16283-4	8-5	340	28-16311-1	12-8	–190
28-16283-4	8-6	20	28-16311-1	5-3	350
28-16283-4	8-7	20	28-16313-1	12-7	160

ENSTROM F-28/280 SERIES ILLUSTRATED PARTS CATALOG

PART NUMBER INDEX

Part Number	Figure	Item	Part Number	Figure	Item
28-16313-1	12-8	150	28-16339-7	12-5	–
28-16313-1	12-5	620	28-16340-1	12-5	430
28-16314-1	12-7	230	28-16341-1	12-5	100
28-16314-1	12-8	180	28-16342-1	12-5	370
28-16314-1	12-5	610	28-16345-1	12-6	130
28-16315-1R	12-7	230A	28-16345-1	12-5	650
28-16317-1R	12-7	160A	28-16345-11	12-5	650
28-16319-1	12-7	210	28-16345-11	12-6	130
28-16319-1	12-8	–160	28-16348-1	9-5	20
28-16320-1	12-7	120	28-16348-1	12-5	410
28-16321-1	12-5	60	28-16349-1	12-5	270
28-16321-101	12-5	–60A	28-16350-1	12-5	–
28-16321-103	12-5	–60B	28-16351-1	12-5	450
28-16321-105	12-5	–60C	28-16352-1	12-5	660
28-16322-1	12-5	50	28-16353-3	12-6	50
28-16322-7	12-5	50	28-16353-3	12-10	240
28-16322-9	12-5	–50A	28-16353-4	12-10	230
28-16324	12-7	110A	28-16353-5	12-6	30
28-16325-2	12-7	120A	28-16353-5	12-5	720
28-16331-1	12-7	10B	28-16355-1	12-5	90
28-16331-1	12-8	20	28-16361-1	8-1	20
28-16331-1	12-5	–	28-16361-1	8-3	10
28-16334-1	12-5	40	28-16374-1	12-8	140
28-16334-3	12-5	70	28-16374-1	12-5	590
28-16334-5	12-5	–40A	28-16380	12-8	–5A
28-16334-7	12-5	–40B	28-16380	12-10	–
28-16334-9	12-5	–40C	28-16386-1	8-3A	80
28-16336-11	8-3A	440	28-16387-1	8-1	60
28-16336-11	8-4	60	28-16389-2	8-3A	150
28-16338-1	12-5	10	28-16390-11	8-5A	–20
28-16338-2	12-5	20	28-16391-1	12-6	120B
28-16338-3	12-5	–	28-16391-13	12-5	–
28-16338-5	12-5	–	28-16391-3	12-6	120A
28-16338-5	12-5	–	28-16391-5	12-6	120
28-16338-7	12-5	–	28-16391-5	12-5	500
28-16339-1	12-5	30	28-16392-13	12-6	180
28-16339-3	12-5	–	28-16392-13	12-8	60
28-16339-4	12-5	–	28-16392-13	12-5	–
28-16339-5	12-5	–	28-16394-11	12-5	–
28-16339-6	12-5	–	28-16394-2	12-8	40

ENSTROM F-28/280 SERIES ILLUSTRATED PARTS CATALOG

PART NUMBER INDEX

Part Number	Figure	Item	Part Number	Figure	Item
28-16395-1	12-8	120	28-16478-3	3-11	–
28-16395-1	12-5	550	28-16478-5	3-11	–
28-16396-2	12-8	10	28-16479-13	3-11	110
28-16396-2	12-5	540	28-16481-5	3-11	–
28-16397-11	12-8	50	28-16482-13	3-11	210
28-16397-11	12-5	–	28-16484-11	3-11	120
28-16398	12-6	–5	28-16490-101	3-15	70
28-16398	12-8	–5	28-16493-11	3-13	10
28-16398-103	12-5	–	28-16493-13	3-13	10
28-16398-901	12-6	120C	28-16497-1	3-13	20
28-16399-13	12-1	220	28-16497-1	8-14	40
28-16400-1	8-12	–	28-16498-101	3-11	450
28-164001-1	3-10	70	28-16498-101	3-13	80
28-16401-1	3-10	220	28-16498-7	3-13	80
28-16401-1	8-12	150	28-16498-9	3-11	430
28-16401-5	3-10	220	28-16498-9	3-11	450
28-16403-1	3-10	290	28-16499-9	3-12	100
28-16403-1	8-13	110	28-16499-9	3-12	100
28-16404-1	3-10	300	28-16504-1	5-5	130
28-16404-1	8-13	120	28-16505-1	5-5	200
28-164043-11	3-10	340	28-16506-1	5-5	220
28-164043-11	3-14	–	28-16515-1	5-5	20
28-164043-11	3-15	–	28-16515-3	5-5	30
28-16405-1	3-10	70	28-16516-1	5-5	10
28-16407	8-12	60	28-16516-13	5-5	10
28-16407-1	3-10	200	28-16518-1	5-5	160
28-16409-13	3-11	60	28-16519-1	5-5	40
28-16409-13	8-15	90	28-16520-1	5-1	270
28-16409-15	3-11	60	28-16520-1	5-5	50
28-16409-15	8-15	90	28-16521-11	5-5	80
28-16421-1	3-11	40	28-16522-1	5-5	90
28-16447-1	3-10	20	28-16523-1	5-5	–
28-16449-1	3-10	350	28-16524-	8-5A	–
28-16449-1	11-21	400	28-16524-3	5-6	–
28-16473-1	3-11	220	28-16524-3	8-1	180
28-16473-1	3-11	440	28-16524-4	5-6	–
28-16476-2	3-11	150	28-16524-4	8-1	180
28-16476-3	3-11	250	28-16524-5	5-6	–
28-16477-1	3-11	240	28-16524-5	8-1	180
28-16477-2	3-11	300	28-16524-6	5-6	–

ENSTROM F-28/280 SERIES ILLUSTRATED PARTS CATALOG

PART NUMBER INDEX

Part Number	Figure	Item	Part Number	Figure	Item
28-16524-6	8-1	180	28-16600-8	8-8	20
28-16524-7	5-6	–	28-16600-9	8-8	100
28-16524-7	8-1	180	28-16601-1	8-9	420
28-16524-8	5-6	–	28-16601-1	8-10	420
28-16524-8	8-1	180	28-16603-1	8-10	440
28-16525-1	5-5	360	28-16603-15	8-10	430
28-16525-1	11-21	410	28-16604-1	8-9	410
28-16526-1	5-5	370	28-16604-1	8-10	410
28-16526-1	11-21	420	28-16607-1	8-9	270
28-16537-11	5-5	380	28-16607-1	8-10	270
28-16537-13	5-5	390	28-16608-1	8-9	300
28-16542-11	5-5	240	28-16608-1	8-10	300
28-16561-1	8-17	90	28-16609-1	8-9	200
28-16561-2	8-16	90	28-16609-1	8-10	200
28-16563-1	8-16	260	28-16610-1	8-9	180
28-16563-2	8-16	230	28-16610-1	8-10	180
28-16564-13	8-17	210	28-16611-1	8-9	360
28-16564-15	8-17	230	28-16611-1	8-10	360
28-16565-11	8-16	130	28-16611-13	8-9	360
28-16565-11	8-17	140	28-16611-13	8-10	360
28-16567-1	8-17	250	28-16611-15	8-9	360
28-16567-2	8-16	220	28-16611-15	8-10	360
28-16568-1	8-17	120	28-16612-5	8-9	–
28-16568-2	8-16	110	28-16612-5	8-10	–
28-16600-10	8-8	20	28-16613-1	8-9	350
28-16600-101	8-8	90	28-16613-1	8-10	350
28-16600-103	8-8	10	28-16613-3	8-9	350
28-16600-105	8-8	90	28-16613-3	8-10	350
28-16600-107	8-8	10	28-16614-1	8-9	–10
28-16600-109	8-8	100	28-16614-1	8-10	–10
28-16600-111	8-8	20	28-16614-3	8-9	10
28-16600-113	8-8	90	28-16614-3	8-10	10
28-16600-113	8-10	–	28-16614-5	8-9	10
28-16600-115	8-8	10	28-16614-5	8-10	10
28-16600-115	8-9	–	28-16616-1	8-10	320
28-16600-117	8-8	100	28-16616-5	8-9	320
28-16600-117	8-10	–	28-16616-7	8-9	320
28-16600-119	8-8	20	28-16616-9	8-10	320
28-16600-119	8-9	–	28-16617-1	8-10	–
28-16600-7	8-8	100	28-16617-2	8-9	–

ENSTROM F-28/280 SERIES ILLUSTRATED PARTS CATALOG

PART NUMBER INDEX

Part Number	Figure	Item	Part Number	Figure	Item
28-16618-101	8-10	310	28-17000-11	7-20	510
28-16618-103	8-7	–	28-17000-13	7-20	520
28-16618-103	8-9	310	28-17000-15	7-20	530
28-16618-105	8-10	310	28-17001-101	7-20	480
28-16618-6	8-9	310	28-17002-11	7-20	470
28-16618-7	8-10	310	28-17004-1	7-20	490
28-16618-9	8-9	310	28-17005-1	11-21	430
28-16619-1	8-9	160	28-17006-13	7-9	440
28-16619-1	8-10	160	28-17100-903	7-19	–
28-16620-1	8-10	–	28-17100-903	7-20	–
28-16620-2	8-9	–	28-17100-907	7-19	–
28-16621-1	8-9	–110A	28-17100-907	7-20	–
28-16621-1	8-10	–110A	28-17100-923	7-19	–
28-16623-1	8-10	250	28-17100-923	7-20	–
28-16624-1	8-9	–40	28-17100-927	7-19	–
28-16624-1	8-10	–40	28-17100-927	7-20	–
28-16624-11	8-9	40	28-17101-1	7-20	280
28-16624-11	8-10	40	28-17101-7	7-20	280
28-16624-3	8-9	40	28-17102-3	7-20	170
28-16624-3	8-10	40	28-17104-1	7-20	130
28-16625-1	8-8	50	28-17106-1	7-20	–
28-16626-1	8-9	390	28-17106-2	7-20	–
28-16628-1	8-9	340	28-17108-1	7-22	110
28-16628-1	8-10	340	28-17108-2	7-22	–120
28-16630-1	8-10	220	28-17111-1	7-20	90
28-16630-2	8-9	220	28-17113-13	7-22	240
28-16630-3	8-10	220	28-17119-11	7-22	170
28-16630-4	8-9	220	28-17119-12	7-22	–180
28-16632-1	8-9	260	28-17119-13	7-22	–190
28-16632-1	8-10	260	28-17119-14	7-22	–200
28-16633-1	8-9	140	28-17119-15	7-22	170
28-16633-1	8-10	140	28-17120-11	7-22	100
28-16635-1	8-9	250	28-17121-1	7-20	320
28-16636-3	8-9	–	28-17122-1	7-19	–
28-16636-3	8-10	–	28-17122-1	7-20	200
28-16636-5	8-9	–	28-17122-3	7-20	220
28-16636-5	8-10	–	28-17122-5	7-20	210
28-16637-11	8-6A	–	28-17123-1	7-20	–
28-16650-11	6-11	230	28-17123-1	7-21	50
28-17000-1	7-20	–	28-17123-11	7-21	50

ENSTROM F-28/280 SERIES ILLUSTRATED PARTS CATALOG

PART NUMBER INDEX

Part Number	Figure	Item	Part Number	Figure	Item
28-17124-1	7-20	50	28-17148-7	7-21	–
28-17129-1	7-20	230	28-17149-1	7-21	150
28-17132-1	7-19	10	28-17150-1	7-19	20
28-17132-1	7-20	10	28-17150-1	7-20	430
28-17132-2	7-20	20	28-17150-13	7-19	50
28-17132-3	7-20	30	28-17150-13	7-20	340
28-17132-4	7-20	40	28-17151-1	7-21	140
28-17135-11	7-20	–	28-17153-1	7-21	–220
28-17135-11	7-21	10	28-17153-13	7-21	210
28-17138-1	7-22	230	28-17154-1	7-21	–200
28-17139-1	7-22	130	28-17155-1	7-21	240
28-17139-2	7-22	–140	28-17156-1	7-21	250
28-17139-3	7-22	150	28-17156-3	7-21	250
28-17139-4	7-22	–160	28-17157-1	7-21	260
28-17140-1	7-21	70	28-17158-1	7-21	40
28-17141-1	7-22	10	28-17159-11	7-20	–
28-17141-2	7-22	–20	28-17161-11	7-22	210
28-17141-3	7-22	30	28-17162-11	7-22	220
28-17141-4	7-22	–40	28-17164-13	11-21	110
28-17141-5	7-22	–50	28-17166-1	7-20	380
28-17141-6	7-22	–60	28-17166-2	7-20	–390
28-17142-1	7-22	–	28-17200-3	7-15	–
28-17142-3	7-22	–	28-17200-3	7-17	–
28-17142-5	7-22	–	28-17201-1	7-15	–
28-17142-7	7-22	–	28-17201-3	7-17	290
28-17143-11	7-22	260	28-17202-1	7-15	250
28-17144-1	7-21	180	28-17205-1	7-15	290
28-17144-5	7-21	180	28-17205-1	7-17	270
28-17145-1	7-21	130	28-17206-11	7-17	330
28-17146-1	7-21	230	28-17206-13	7-17	–
28-17146-7	7-21	230	28-17206-13	7-17	–
28-17147-3	7-21	120	28-17206-15	7-17	–
28-17147-7	7-21	110	28-17206-17	7-17	350
28-17148-1	7-21	–	28-17206-19	7-17	–
28-17148-2	7-21	–	28-17207-1	7-17	300
28-17148-3	7-20	350	28-17207-13	7-17	–
28-17148-3	7-21	–	28-17208-11	7-17	–
28-17148-5	7-20	360	28-17302-3	3-2	160
28-17148-5	7-21	–	28-17306-1	7-20	–
28-17148-7	7-20	–370	28-17306-1	7-21	–60

ENSTROM F-28/280 SERIES ILLUSTRATED PARTS CATALOG

PART NUMBER INDEX

Part Number	Figure	Item	Part Number	Figure	Item
28-17308-1	12-10	270	28-180050-109	11-20	-100I
28-17308-1	12-13	230	28-180050-11	11-20	-100E
28-17308-1	12-9	230	28-180050-111	11-20	-100J
28-17308-1	12-11	330	28-180050-13	11-20	-100F
28-17308-1	12-12	210	28-180050-15	11-20	-100G
28-17313-1	6-5	70	28-180050-17	11-20	-100H
28-17314-1	6-5	80	28-180050-3	11-20	-100A
28-17316-1	6-5	90	28-180050-5	11-20	-100B
28-17318-1	11-21	440	28-180050-7	11-20	-100C
28-17331-1	11-21	450	28-180050-9	11-20	-100D
28-17331-13	11-21	460	28-18005-1	11-21	470
28-17331-15	11-21	450	28-180051-1	11-20	-
28-180004-5	11-6	360	28-180051-101	11-20	-
28-180010-11	12-4	40A	28-180051-103	11-20	-
28-180012-1	11-21	1100	28-180051-105	11-20	-
28-180014-1	11-8	-	28-180051-107	11-20	-
28-180014-1	11-7	950	28-180051-3	11-20	-
28-180018-1	11-21	1110	28-180051-5	11-20	-
28-180020-11	11-8	175	28-180051-7	11-20	-
28-180020-11	11-9	55	28-180051-9	11-20	-
28-180020-11	11-6	110	28-180052-11	11-21	1200
28-180020-11	11-7	50	28-180052-13	11-21	1200
28-180021-1	11-21	1120	28-180053-11	11-21	1210
28-180022-1	11-21	1130	28-180053-13	11-21	1210
28-180023-1	11-21	1140	28-180054-11	11-21	1220
28-180030-1	11-21	1150	28-180054-13	11-21	1220
28-180045-11	11-21	1160	28-180055-11	11-21	1230
28-180045-13	11-21	1160	28-180055-13	11-21	1230
28-180046-11	11-21	1170	28-180056-11	11-21	1240
28-180046-13	11-21	1170	28-180056-13	11-21	1240
28-180047-11	11-21	1180	28-180057-11	11-21	1250
28-180047-13	11-21	1180	28-180057-13	11-21	1250
28-180048-11	11-21	1190	28-18006-1	11-21	480
28-180048-13	11-21	1190	28-180067-1	11-20	150
28-180049-11	11-20	10	28-180067-101	11-20	-150E
28-180050-1	11-20	100	28-180067-103	11-20	-150F
28-180050-101	11-20	-100E	28-180067-105	11-20	-150G
28-180050-103	11-20	-100F	28-180067-107	11-20	-150H
28-180050-105	11-20	-100G	28-180067-109	11-20	-150I
28-180050-107	11-20	-100H	28-180067-201	11-20	-150J

ENSTROM F-28/280 SERIES ILLUSTRATED PARTS CATALOG

PART NUMBER INDEX

Part Number	Figure	Item	Part Number	Figure	Item
28-180067-203	11-20	-150K	28-18030-1	11-18	90
28-180067-205	11-20	-150L	28-18030-1	12-4	210
28-180067-207	11-20	-150M	28-18031-1	12-4	30
28-180067-209	11-20	-150N	28-18031-3	12-4	30
28-180067-211	11-20	-150O	28-18032-1	11-2	-
28-180067-213	11-20	-150P	28-18033-1	11-8	425
28-180067-215	11-20	-150Q	28-18033-1	11-9	335
28-180067-217	11-20	-150R	28-18033-1	11-7	890
28-180067-219	11-20	-150S	28-18033-1	11-14	100
28-180067-3	11-20	-150A	28-18033-1	11-15	75
28-180067-5	11-20	-150B	28-18034-1	11-18	105
28-180067-7	11-20	-150C	28-18034-1	12-4	200
28-180067-9	11-20	-150D	28-18035	11-1	-
28-18007-1	11-21	490	28-18036	11-1	110
28-18009-11	11-21	210	28-18036-10	11-1	120
28-18009-15	11-21	120	28-18036-10	11-4	-
28-18009-27	11-21	210	28-18036-10	11-5	-
28-18011-1	11-21	500	28-18036-9	11-1	370
28-18012-1	11-21	510	28-18036-9	11-3	270
28-18013-1	11-21	520	28-18036-9	11-5	-
28-18014-1	11-21	530	28-18036--9	11-2	270
28-18015-1	11-21	540	28-18037-1	11-21	560
28-18016-1	11-21	550	28-18037-2	11-21	570
28-18020-1	11-18	-	28-18037-3	11-21	580
28-18020-1	12-4	-10	28-18043	11-2	240
28-18020-3	12-4	-10A	28-18043-1	11-21	590
28-18020-5	11-18	-	28-18048-1	11-21	600
28-18020-5	12-4	-130	28-18049	11-1	360
28-18020-7	11-18	-	28-18049	11-2	260
28-18020-7	12-4	-240	28-18050	11-1	-
28-18024-1	12-4	170	28-18050	11-2	-
28-18024-5	11-18	100	28-18051	11-1	350
28-18024-5	12-4	170	28-18051-3	11-2	250
28-18026-1	12-4	230	28-18052-1	11-6	450
28-18026-3	11-18	120	28-18052-1	11-21	610
28-18026-3	12-4	230	28-18053-1	11-6	520
28-18027-1	11-18	85	28-18053-1	11-21	620
28-18027-1	12-4	40	28-18060-11	11-8	25
28-18028-1	11-18	20	28-18060-11	11-9	30
28-18028-1	12-4	250	28-18060-11	11-7	130

ENSTROM F-28/280 SERIES ILLUSTRATED PARTS CATALOG

PART NUMBER INDEX

Part Number	Figure	Item	Part Number	Figure	Item
28-18060-13	11-8	105	28-18091-107	11-5	–
28-18060-13	11-9	35	28-18091-109	11-5	–
28-18060-13	11-7	130A	28-18091-111	11-5	–
28-18060-15	11-8	100	28-18091-113	11-5	–
28-18060-15	11-9	75	28-18091-121	11-6	–490A
28-18060-15	11-7	130B	28-18091-123	11-6	420
28-18061-1	11-8	330	28-18091-131	11-5	–
28-18061-1	11-9	260	28-18091-133	11-5	–
28-18061-1	11-7	720A	28-18091-3	11-5	–
28-18061-1	11-12	20	28-18091-5	11-5	–
28-18061-1	11-13	170	28-18091-5	11-6	490
28-18061-1	11-13	200	28-18092-11	11-21	670
28-18061-1	11-13	210	28-18094-1	11-22	–
28-18061-1	11-13	220	28-18094-11	11-22	30
28-18061-3	11-7	–720	28-18094-13	11-22	90
28-18069-15	11-7	470A	28-18094-3	11-22	–
28-18069-17	11-7	470C	28-18095-1	11-5	300
28-18069-17	11-7	490	28-18095-3	11-5	300A
28-18069-19	11-5	–	28-18095-6	11-5	300B
28-18069-21	11-5	–	28-18099-101	11-5	–
28-18069-31	11-8	220	28-18099-111	11-5	–
28-18069-31	11-7	–470	28-18099-119	11-5	–
28-18069-33	11-8	235	28-18099-125	11-5	–
28-18069-33	11-7	–470B	28-18099-147	11-8	–
28-18075-1	3-10	350	28-18099-149	11-7	–
28-18081-11	6-3	–	28-18099-157	11-7	–
28-18081-11	11-6	200	28-18099-159	11-8	–
28-18081-11	11-21	630	28-18099-161	11-7	–
28-18082-1	11-3	–	28-18099-165	11-7	–
28-18082-9	11-5	20	28-18099-169	11-7	–
28-18082-9	11-6	320	28-18099-171	11-9	–
28-18084-1	11-8	–	28-18099-173	11-9	–
28-18084-5	11-5	–	28-18099-179	11-9	–
28-18087-1	11-21	640	28-18099-181	11-9	–
28-18088-1	11-21	650	28-18099-3	11-6	–
28-18088-2	11-21	660	28-18099-7	11-6	–
28-18091-1	11-5	–	28-18100-11	11-21	680
28-18091-101	11-5	–	28-181001-11	3-22	480
28-18091-103	11-5	–	28-181001-11	3-23	500
28-18091-105	11-5	–	28-181001-3	3-23	500

ENSTROM F-28/280 SERIES ILLUSTRATED PARTS CATALOG

PART NUMBER INDEX

Part Number	Figure	Item	Part Number	Figure	Item
28-181002-1	3-22	510	28-18107-1	11-21	700
28-181002-1	3-23	530	28-18108-1	11-21	710
28-181005-1	11-6	210	28-18112-1	11-11	50
28-181005-13	11-16	140	28-18113-1	11-11	30
28-181006-11	3-3	140	28-18143-11	6-11	260
28-181007-1	3-3	120	28-18153-105	11-7	310B
28-181007-3	3-3	120	28-18153-107	11-7	310
28-181007-5	3-3	120	28-18153-109	11-8	85
28-181008-1	3-20	–	28-18153-109	11-7	–310A
28-181008-1	3-20A	–	28-18156-1	11-6	20
28-181008-1	3-20B	–	28-18156-3	11-6	–20A
28-18101-11	11-8	145	28-18158-1	9-3	–
28-18101-11	11-7	370	28-18158-1	9-4	–
28-18103-3	3-22	480	28-18158-3	9-3	–
28-18103-3	11-10	130	28-18158-3	9-4	–
28-18103-4	3-22	480	28-18159-11	9-3	–
28-18103-4	11-11	10	28-18159-11	9-4	–
28-18103-4	11-11	140	28-18159-13	9-3	–
28-18103-5	3-22	510	28-18159-13	9-4	–
28-18103-5	11-10	140	28-18161-11	9-3	–
28-18103-6	11-10	150	28-18161-11	9-4	–
28-18103-7	11-10	160	28-18161-15	9-3	–
28-18103-7	11-11	–140A	28-18161-15	9-4	–
28-18104-3	11-14	30	28-18161-17	9-4	–
28-18104-4	11-14	40	28-18161-19	9-4	–
28-18104-5	11-14	50	28-18162-13	9-3	–
28-18104-6	11-14	60	28-18162-13	9-3	–
28-18104-7	11-14	70	28-18162-13	9-4	–
28-18104-903	11-12	110	28-18162-13	9-4	–
28-18104-903	11-13	10	28-18162-14	9-3	–
28-18104-904	11-12	90	28-18162-14	9-4	–
28-18104-904	11-13	20	28-18162-14	9-4	–
28-18104-905	11-12	100	28-18162-14-	9-3	–
28-18104-905	11-13	30	28-18162-15	9-3	–
28-18104-906	11-12	80	28-18162-15	9-4	–
28-18104-906	11-13	40	28-18162-15	9-4	–
28-18104-907	11-12	60	28-18162-17	9-3	–
28-18104-907	11-13	50	28-18162-17	9-4	–
28-18105-11	11-21	130	28-18162-17	9-4	–
28-18105-13	11-21	690	28-18164-3	9-3	–

ENSTROM F-28/280 SERIES ILLUSTRATED PARTS CATALOG

PART NUMBER INDEX

Part Number	Figure	Item	Part Number	Figure	Item
28-18164-3	9-4	–	28-19021-10	11-7	590
28-18164-5	9-3	–	28-19021-10	11-7	800
28-18164-5	9-4	–	28-19021-13	8-5	–130B
28-18165-5	11-19	115	28-19021-15	8-5	–130A
28-18166-1	9-3	10	28-19021-17	8-5	–150A
28-18166-1	9-4	10	28-19021-19	8-5	–130C
28-18166-3	9-3	10A	28-19021-2	8-5	130
28-18166-5	9-3	10A	28-19021-21	8-5	–150B
28-18166-3	9-4	10A	28-19021-23	8-5	–130D
28-18166-5	9-4	10A	28-19021-25	8-5	–130E
28-18166-7	9-4	10	28-19021-27	8-5	–150C
28-18167-11	6-12	10	28-19021-29	8-5	160
28-18167-13	6-12	10	28-19021-3	8-5	150
28-18167-15	6-12	10	28-19021-31	8-5	140
28-18167-17	6-12	10	28-19021-33	8-5	170
28-18167-19	6-12	10	28-19021-35	8-5	–130F
28-18167-21	6-12	10	28-19021-37	8-5	–130G
28-18167-23	6-12	10	28-19021-39	8-5	–160A
28-18167-25	6-12	10	28-19021-41	8-5	–140A
28-18167-27	6-12	10	28-19021-43	8-5	–170A
28-18167-5	11-19	15	28-19021-8	8-15	–
28-18171-29	11-7	500B	28-19023	11-8	380
28-18171-31	11-7	500	28-19023	11-9	290
28-18171-33	11-8	230	28-19023	11-7	830
28-18171-33	11-7	–500A	28-19025-1	6-14	70
28-18171-35	11-9	–	28-19027-13	11-8	10
28-18171-37	11-9	–	28-19027-13	11-7	10
28-18171-39	11-9	–	28-19031	11-5	–
28-18171-41	11-9	–	28-19032	11-5	–
28-18200-1	11-8	365	28-19037-11	11-21	720
28-18200-1	11-7	–760	28-19040-5	6-14	–
28-18200-3	11-7	760A	28-19041	11-6	10
28-19001-943	6-4	70	28-19041-111	6-11	–
28-19001-948	6-4	60	28-19045-1	11-5	280
28-19003	6-1	80	28-19045-3	11-5	280A
28-19004	6-1	10	28-19045-5	11-5	280B
28-19006-24-1	7-13	80	28-19045-7	11-5	280C
28-19016-11	6-2	70	28-19045-9	11-5	280D
28-19021-10	11-8	280	28-19046-11	11-8	15
28-19021-10	11-9	200	28-19046-11	11-9	15

ENSTROM F-28/280 SERIES ILLUSTRATED PARTS CATALOG

PART NUMBER INDEX

Part Number	Figure	Item	Part Number	Figure	Item
28-19046-11	11-7	40	28-20107-11	11-21	140
28-19046-11	11-21	730	28-20107-11	11-21	750
28-19047-1	6-11	250	28-20107-11	7-15	300
28-19047-11	6-11	250	28-20107-11	7-16	270
28-19048-11	6-11	230	28-20107-13	11-21	750
28-19048-13	6-11	230	28-20107-13	7-15	-310
28-19055-11	6-13	140	28-20107-13	7-16	-280
28-19064-1	11-9	45	28-20111-1	7-17	30
28-19064-1	11-7	20	28-20111-2	7-17	40
28-19073	6-12	-	28-20111-911	7-17	30
28-19073-1	11-7	740	28-20111-912	7-17	40
28-19073-101	11-8	360	28-20112-1	7-17	-
28-19073-3	11-7	740A	28-20112-15	7-17	50
28-19073-5	11-7	740B	28-20112-16	7-17	60
28-19073-7	11-7	740C	28-20112-2	7-17	-
28-19101-11	11-21	740	28-20116-11	7-17	70
28-19103-1	6-10	40	28-20119-1	7-17	10
28-19104-1	6-9	40	28-20119-2	7-17	20
28-19105-1	6-10	50	28-20119-3	7-17	10
28-19105-1	6-9	60	28-20119-4	7-17	20
28-19106-1	6-9	30	28-21000-1	6-4	-
28-19106-3	6-10	30	28-21002	6-4	340
28-19106-3	6-9	30	28-21002-3	6-4	340
28-19106-5	6-10	30	28-21002-3	6-6	10
28-19106-5	6-13	90	28-21002-4	6-4	340
28-19106-5	6-9	30	28-21002-4	6-6	10
28-19123-9	11-8	375	28-21003-1	6-4	330
28-19123-9	11-9	285	28-21003-1	6-4	40
28-19123-9	11-7	820	28-21004-1	6-6	40
28-19131-1	6-11	-	28-21006-1	6-4	250
28-19132-3	6-5	200	28-21007-1	6-4	240
28-19155-1	8-15	-	28-21008-1	6-4	230
28-19155-1	8-17	-	28-21009-1	6-4	220
28-19155-2	8-14	-	28-21009-1	6-5	205
28-19155-2	8-16	-	28-21009-1	6-5	60
28-20000	7-15	-	28-21009-1	6-7	170
28-20100-1	7-15	-10	28-21009-1	6-8	10
28-20100-2	7-15	-20	28-21010-3	6-5	235
28-20100-6	7-15	30	28-21011-1	6-4	180
28-20100-7	7-15	40	28-21011-1	6-6	80

ENSTROM F-28/280 SERIES ILLUSTRATED PARTS CATALOG

PART NUMBER INDEX

Part Number	Figure	Item	Part Number	Figure	Item
28-21012-1	6-4	160	28-22081-5	11-8	–
28-21012-1	6-6	240	28-22086-1	11-9	–65
28-21014-1	6-4	270	28-22093-3	11-8	140
28-21017-1	3-21	70	28-22093-3	11-9	60
28-21021-1	11-21	760	28-22093-3	11-19	–
28-21024-1	6-7	20	28-22093-3	11-7	350
28-21034-1	6-7	40	28-22094-11	11-19	155
28-21035-5	6-7	10	28-22094-13	11-19	110
28-21035-5	11-21	770	28-22096-11	11-19	125
28-21043-1	6-7	130	28-22101	9-3	390
28-21048-1	6-5	–	28-22101-1	9-2	29
28-21048-1	6-6	110A	28-22102-1	9-2	38
28-21048-101	6-5	–	28-22117	9-3	320
28-21048-101	6-6	110D	28-22117-3	9-2	37
28-21048-3	6-5	–	28-22165-1	7-1	–
28-21048-3	6-6	110B	28-22165-1	7-3	80
28-21048-5	6-5	–	28-22199-1	9-2	34
28-21048-5	6-6	110A	28-22208-11	9-5	105
28-21048-6	6-5	–	28-22209-101	9-5	110
28-21048-6	6-6	110B	28-22209-103	9-5	110
28-21048-7	6-5	–	28-22210-9	9-5	–
28-21048-7	6-6	110A	28-22216-13	11-21	830
28-21048-8	6-5	–	28-22343-1	11-21	840
28-21048-8	6-6	110B	28-22344-5	11-5	–
28-21048-9	6-5	–	28-22350-1	8-3A	–
28-21048-9	6-6	110C	28-22421-1	7-20	90
28-21050-11	6-7	180	28-22501-1	11-21	850
28-21051-11	6-7	*50	28-22501-10	11-21	940
28-21052-1	6-7	–	28-22501-11	11-6	330
28-21053-3	6-7	–	28-22501-2	11-21	860
28-22013-1	11-21	780	28-22501-3	11-21	870
28-22016-1	11-21	790	28-22501-4	11-21	880
28-22016-5	11-21	790	28-22501-5	11-21	890
28-22018-1	11-21	800	28-22501-6	11-21	900
28-22018-2	11-21	810	28-22501-7	11-21	910
28-22019-1	11-21	820	28-22501-8	11-21	920
28-22031-1	3-5A	–	28-22501-9	11-21	930
28-22031-3	3-5A	–	28-22504-1	11-21	950
28-22032-1	3-5A	160	28-22505-1	11-21	960
28-22034-11	3-5A	30	28-22506-1	11-21	970

ENSTROM F-28/280 SERIES ILLUSTRATED PARTS CATALOG

PART NUMBER INDEX

Part Number	Figure	Item	Part Number	Figure	Item
28-22507-1	11-21	980	3/8-6NA	11-19	190
28-22508-1	11-21	990	30-0009-36	6-6	50
28-22540-11	11-21	1000	300-037	6-10	20
28-22540-17	11-8	155	300-071	7-4	70
28-22540-17	11-7	320	300-071-CS	7-1	90
28-22540-19	11-19	10	300-072	7-4	80
28-22543-11	11-17	220	300-169	7-9	440
28-22543-11	11-21	1010	30-1	8-13	20
28-22543-13	11-8	135	30-1UL	11-8	20
28-22543-13	11-9	65	30-1UL	11-9	20
28-22543-13	11-7	340	30-1UL	11-5	290
28-22561-3	6-13	10	30-1UL	11-7	30
28-22562-17	6-13	50	30-1UL	8-13	20
28-22563-5	6-13	100	3028-3/32	11-8	505
28-22606-1	11-21	1020	3028-3/32	11-8	520
28-22607-1	11-21	1030	304R	12-10	40
28-22608-1	11-21	1040	306590	5-4	140
28-22609-11	11-21	1050	313	6-5	20
28-22613-1	11-21	1060	3-1AF	7-5	140
28-22615-11	11-21	1070	31B22111	3-31	-
28-22615-13	11-21	1080	325E10-2	3-8	50
28-22615-15	11-21	1070	32-5R	6-4	310
2852	11-17	240	327	11-8	50
2855	11-17	260	327	11-9	-
286377	6-12	60	327	11-7	80
2870	11-17	250	32-7L	6-4	320
2871	11-17	230	32NBC2044YZP	4-2	110
28775-214	5-6	200	330	6-4	-
28-DU-24	8-18	110	330	11-1	-
28-DU-24	8-19	110	330	11-1	-
28NBC2040YZP	4-1	210	330	11-2	-
28NBC2040YZP	4-1	340	330	11-2	-
2904-33	11-2	300	330	11-3	-
2904-33	11-3	300	330	11-4	-
2904-33	11-5	-	330	11-4	-
2904-33F5	11-1	400	330	11-5	-
2904-33F5	11-4	-	33-199-36	3-22	-
29550	8-21	10	33-199-36	3-23	-
2D8934	5-6	50	33-199-916	3-22	260
3/8 Harper	5-3	320	33-199-916	3-23	270

ENSTROM F-28/280 SERIES ILLUSTRATED PARTS CATALOG

PART NUMBER INDEX

Part Number	Figure	Item	Part Number	Figure	Item
33+ Super 3/4"	7-10	–	400510	11-19	35
33+ Super 3/4"	7-10	–	4016	11-8	470
338382	5-4	140	4016-1	7-5	40
34-0070371-02	6-4	150	4016-75	7-5	100
34-0070373-01	6-4	–	40NBC2052YZP	4-2	90
34-0070373-01	6-4	–	4115001-19	9-3	340
34-0070373-01	6-4	–	4118265-21	7-6	190
34-0070373-01	6-4	90	4118278-21	7-6	80
34-0070373-01	6-6	350	4118278-23	7-6	30
34-0070373-03	6-6	350	4118283-11	7-6	50
34-0412070-63	6-6	140	4118284-13	7-6	100
34-0412070-63	6-6	440	4118290-15	7-6	-630
34-0414020-65	6-4	–	4118290-16	7-6	620
34-0414020-65	6-4	–	4119780-23	9-5	20
34-0414020-65	6-4	–	4119835-33	11-8	355
34-0428020-65	6-6	390	4119835-33	11-8	5
34-0428070-64	6-6	140	4119835-33	6-12	20
340823	5-4	290	4119839-11	7-6	-290
3498T613	7-4	70	4119920-11	11-21	150
35-140-A	11-4	–	4119920-13	11-21	160
37A19773-376	3-21	–	4119920-15	11-21	170
38-0230021-00	6-4	–	4150008-5	12-5	25
38-0230021-00	6-4	–	4164	6-13	191
38-0230021-00	6-4	–	4166053-11	8-9	–
381N-500-S	11-8	–	4166053-11	8-10	–
381N-500-S	11-9	–	4166053-13	8-9	–
38518900	5-5	230	4166053-13	8-10	–
3-904 V0894-90	3-8	66	4166053-15	8-9	–
3A1535-B96-A100	3-10	60	4166053-15	8-10	–
3A-3140	3-10	60	4167231-13	8-14	–
3A-3308	7-4	70	4167241-11	8-16	160
3A3408-2	10-4	220	4167241-11	8-17	170
3AG-1A	11-17	50	4167323-11	8-16	200
3BT5EE10J2	3-3	200	4167323-13	8-16	210
3BT5EE10J2	3-8	50	4167323-15	8-16	180
3MC1-3-2	6-3	–	4167323-15	8-17	190
3MC1-3-2	11-5	250	4167323-17	8-16	190
3MC1-3-2	11-6	190	4167323-17	8-17	200
400-003	3-5A	50	4167323-19	8-16	170
400-003	3-5A	80	4167323-19	8-17	180

ENSTROM F-28/280 SERIES ILLUSTRATED PARTS CATALOG

PART NUMBER INDEX

Part Number	Figure	Item	Part Number	Figure	Item
4167324-15	8-15	60	43-13-1-24	3-20A	–
4167325-21	8-16	140	43-13-1-24	3-20B	–
4167325-21	8-17	150	43-13-1-24	3-20B	–
4167327-19	8-16	120	43-13-1-24	7-1	–
4167327-19	8-17	130	43-13-1-24	7-8	240
4167338-13	8-16	10	43-13-1-24	7-18	–
4167338-13	8-17	10	43-13-1-24	7-18	–
4192509-901	6-11	10	43-13-1-24	7-18	–
4196603-23	11-8	75	43-13-1-24	7-18	–
4196603-23	11-9	–	4316	7-5	220
4196603-23	11-7	170	439-4-8-2-6	11-15	95
4196609-11	6-14	80	439-4-8-2-6	11-13	80
4199059-1	6-14	70	439-4-8-2-6	11-14	–
4199059-3	6-14	70	4406	6-5	50
4199072-11	6-11	–	444-4-2-6	11-15	120
41EN-G3-2311	11-1	–	444-4-2-6	3-24	230
41EN-G3-2311	11-1	–	444-4-4-2-6	11-13	90
41EN-G3-2311	11-1	–	444-4-4-2-6	11-14	90
41EN-G3-2311	11-2	–	4503	3-26	90
41EN-G3-2311	11-2	–	4508-1	7-16	290
41EN-G3-2311	11-2	–	4508-2	3-20	630
41EN-G3-2311	11-3	–	4508-2	3-20A	630
41EN-G3-2311	11-3	–	4508-2	3-20B	630
41EN-G3-2311	11-5	–	4508-75	8-5	620
41EN-G3-2313	11-1	–	4509	6-4	210
41EN-G3-2313	11-2	–	4509	6-7	60
41EN-G3-2313	11-3	–	4509	6-8	20
41EN-G3-2313	11-5	–	4591	6-5	50
41EN-G5-2312	11-1	–	4596	6-8	20A
41EN-G5-2312	11-2	–	4600-00	3-26	–
4208-00	3-26	100	471-RED	7-21	–
4222	3-26	140	488-4D28-20	3-8	20
4232	3-26	10	48P6	3-23	171
4234	3-26	20	4910-50	7-4	–
4235	3-26	50	49726	11-13	–
4241	3-26	70	4FBTX-D	3-24	80
428-3-VG	12-5	780	4-FBTX-D	3-22	310
43-13-1-24	3-20	–	4JBTX-D	3-24	100
43-13-1-24	3-20	–	4-LHBTX-S	3-22	440
43-13-1-24	3-20A	–	4SN-188-C-73	5-5	230

ENSTROM F-28/280 SERIES ILLUSTRATED PARTS CATALOG

PART NUMBER INDEX

Part Number	Figure	Item	Part Number	Figure	Item
4-VBTX-S	3-22	420	588-6D1	3-4	140
4WBTX-S	3-24	180	59-022-094-0500	5-5	70
5/16 HARPER	8-4	150	5934	11-1	160
5/8-6B	11-20	20	5934	11-3	50
5/8-6NA	6-6	290	5934	11-4	50
5002-268-PP	12-5	–	5934-1	11-2	50
5045	4-2	160	5934M	11-2	–50A
507-507-101	11-1	80	5934PD-3-A.253	11-5	60
507-507-101	11-1	320	5934PD-3-A.253	11-7	120
507-507-101	11-1	340	5934PD-3-A.253	11-8	60
507-507-101	11-2	–	5934PD-3-A.253	11-9	40
507-507-101	11-2	210	5-W-140	7-1	510
507-507-101	11-2	230	6 X 3/8	11-8	350
507-507-101	11-3	–	6 X 3/8	11-19	20
507-507-101 (7.5A)	11-5	220	6 X 3/8	11-7	750
5102-137-PP	12-7	130	6 X 3/8	7-20	190
5108-100	7-20	500	600700-0000	3-3	200
511T1-2	11-1	50	600700-0000	3-8	50
511TS1-2	11-1	60	601002-4-0120	11-10	50
52305A15-6	7-1	190	601002-6-0180	3-4	90
5-295	7-1	520	601002-6-0180	3-6	50
5310-00-063-9015	6-6	300	6041-ED22	6-2	20
5451	7-10	–	6041H34	6-1	30
5451	7-10	–	60617-1	11-7	–
5451	7-18	–	60618-1	11-8	–
5451	7-18	–	60618-1	6-11	–
5451	7-18	–	60618-1	11-7	–
5453	10-4	–	60685K31	7-6	–455
5453	7-18	–	60686K31	7-6	–525
550	9-1	–	608036-1	11-19	–
550	9-3	70	608036-1	11-19	–
550	9-3	90	608036-1	11-19	–
550	9-4	110	608036-1	11-19	–
550	9-4	220	608036-1	11-19	–
550	9-4	70	608036-1	11-19	–
551-5	11-11	220	62	3-24	550
55-4527-1067	3-14	80	624100-4-0120	3-22	430
57-3255-2121	3-10	60	624100-6-0060	3-22	410
57-3255-2121	3-15	70	624100-6-0180	3-6	60
58390	6-11	50	624117-6-0180	3-22	350

ENSTROM F-28/280 SERIES ILLUSTRATED PARTS CATALOG

PART NUMBER INDEX

Part Number	Figure	Item	Part Number	Figure	Item
624117-6-0180	3-6	50	6RX1/2	8-5	610
62447-6-180	3-4	90	6-S5OX-S	3-22	360
6312-H69	11-4	-40A	6-V5OX-S	3-22	140
6312-H69A	11-2	40	6x1/2	9-1	5
6312-H69A	11-3	40	6x1/2	9-2	4
6-4 C5OX-S	3-8	67	6X3/8	6-12	30
6400 10-8	3-7	320	700-001-10	11-6	440
64021	6-9	20	700-001-15	11-1	90
64-632-74	3-24	430	700-001-20	11-1	100
6487923	3-1	30	700-001-20	11-5	240
6487923	3-2	30	700200	11-19	25
65-29AP	11-1	180	700702-16	11-19	175
65-29AP	11-4	70	702-5123	8-5	-180G
65-29B	11-2	70	702-5130	8-5	-180H
65-29B	11-3	70	7079B-12	6-4	150
65-29B	11-4	-70A	7101SYZQE	11-8	150
65-4527-2229	3-10	10	7101SYZQE	11-9	185
65-4527-2229	3-14	80	7101SYZQE	11-19	30
65614	3-20	420	7101SYZQE	11-7	680
65614	3-20A	420	7101SYZQE	11-17	30
65614	3-20B	420	72-028-125-0500	7-1	330
65614	3-9	140	7203BTVPUO	12-9	160
66224	3-3	150	7235-1-100	6-13	185
6-6FBTX-D	3-24	270	7235-1-100	6-3	10
6-6FBTX-S	3-22	230	726607	6-11	40
67-02-E-18-64S	8-5	190	726621	5-6	130
67-06-C-18-64P	8-5	200	726621	6-11	-
6-8 C5OX-S	3-23	220	7270-1-20	11-5	200
6-8 F5OX-S	3-23	120	7270-1-3	11-8	255
68-2290005-30	6-6	400	7270-1-3	11-9	135
68-4230020-30	6-4	-	7270-1-3	11-5	190
68-4230020-40	6-4	-	7270-1-3	11-7	540
68-4230020-40	6-6	120A	7270-1-35	11-8	240
68-4230020-40	6-6	30	7270-1-35	11-9	130
68-4230020-50	6-4	-	7270-1-35	11-7	510
68-4230020-50	6-6	120	7270-1-5	11-8	250
68-4230020-50	6-6	30	7270-1-5	11-9	140
68-4250066-30	6-6	410	7270-1-5	11-5	180
68-4270002-30	6-6	430	7270-1-5	11-7	520
6-F5OX-S	3-22	210	7270-1-7 1/2	11-7	550

ENSTROM F-28/280 SERIES ILLUSTRATED PARTS CATALOG

PART NUMBER INDEX

Part Number	Figure	Item	Part Number	Figure	Item
7270-1-7 1/2	11-8	260	77611	3-28	140
7270-1-7 1/2	11-9	145	786-4	3-24	120
7270-1-7 1/2	11-5	170	786-4-CU	3-24	120
7270-1-7 1/2	11-1	–	79012-062-0500	12-4	220
7274-2-10	11-8	205	79-012-062-0500	11-18	95
7274-2-10	11-7	440	79-028-125-0687	7-1	240
7274-2-2 1/2	11-7	420	79-048-250-0625	5-5	60
7274-2-2 1/2	11-8	195	8 X 1/2	7-22	290
7274-2-3	11-8	215	8 X 3/8	7-7	30
7274-2-3	11-7	460	8 X 3/8	7-22	300
7274-2-5	11-8	210	8000 B.786	11-5	50
7274-2-5	11-7	450	8000 B.852	11-7	400
7277-5-2	11-9	115	8000 B.853	11-8	185
7277-5-3	11-9	110	8000 B.853	11-9	95
7277-5-5	11-9	120	8000 CODE B251	11-3	60
7304DT	12-10	40	8000-B.852	11-5	50
7304DT	12-11	270	8000-B.853	11-5	50A
732BL	11-8	–	8000-B160	11-2	60
732BL	11-8	–	8000-B160	11-5	50
732RTV	7-20	–	8000-B251	11-4	–60A
732-RTV	3-16	30	8000-B251	11-5	50B
7361	5-4	80	8000-B251	11-6	30
739	9-4	–	8000-B332	11-2	–60A
74465	3-30	90	8000T	11-1	170
748-RTV	11-19	–	8000T	11-4	60
75118	3-27	80	800-28V-BAT	11-8	100
75386	3-22	470	803-1710-0331-5	11-3	–
755-2-2-6	10-1	6	803-1710-0331-504	6-11	190
755-2-2-6	10-2	6	803-1710-0331-504	11-1	–
755-2-2-6	10-3	–	803-1710-0331-504	11-4	–
755-2-2-6	10-3	–	803-1710-0331-504	11-5	–
755-2-2-6	10-4	140	804-1710-0332-5	11-3	–
755-2-2-6	10-4	240	804-1710-0332-504	11-1	–
770001-5	11-8	285	804-1710-0332-504	11-4	240
770001-5	11-9	205	804-1710-0332-504	11-5	–
770001-5	11-7	600	80046	9-4	13
773-4/50 VDC	11-1	30	8110-CC	3-22	150
773-4/50 VDC	11-5	–	8134K21A1M50	11-4	20
773-8/50 VDC	11-5	–	8134K21A1M52	11-1	130
77611	3-27	80	8134K21A1T50	11-1	10

ENSTROM F-28/280 SERIES ILLUSTRATED PARTS CATALOG

PART NUMBER INDEX

Part Number	Figure	Item	Part Number	Figure	Item
8134K21A1T50	11-4	10	82-35-302-15	3-20	–
8190002	3-22	370	82-35-302-15	3-20	–
8190042	3-23	370	82-35-302-15	3-20	–
82-11-120-16	7-9	420	82-35-302-15	3-20	–
82-11-120-16	7-11	340	82-35-302-15	3-20	–
82-12-120-16	7-1	580	82-35-302-15	3-20	–
82-12-120-16	7-8	230	82-35-302-15	3-20	–
82-12-120-16	7-11	370	82-35-302-15	3-20A	–
8-218-N300-9	7-21	170	82-35-302-15	3-20A	–
82-19-120-16	3-20	–	82-35-302-15	3-20A	–
82-19-120-16	3-20	–	82-35-302-15	3-20A	–
82-19-120-16	3-20A	–	82-35-302-15	3-20A	–
82-19-120-16	3-20A	–	82-35-302-15	3-20A	–
82-19-120-16	3-20B	–	82-35-302-15	3-20A	–
82-19-120-16	3-20B	–	82-35-302-15	3-20B	–
82-19-140-16	3-20	–	82-35-302-15	3-20B	–
82-19-140-16	3-20	–	82-35-302-15	3-20B	–
82-19-140-16	3-20A	–	82-35-302-15	3-20B	–
82-19-140-16	3-20A	–	82-35-302-15	3-20B	–
82-19-140-16	3-20B	–	82-35-302-15	3-20B	–
82-19-140-16	3-20B	–	82-35-302-15	3-20B	–
82-19-160-16	7-18-	–	82-35-302-15	7-1	590
82-19-160-16	7-18	–	82-35-302-15	7-10	–
82-19-160-16	7-18	–	82-35-302-15	7-10	–
82-19-160-16	7-18	–	82-46-101-39	7-1	–
82-32-101-17	7-1	–	82-46-101-39	7-8	260
82-32-101-20	3-20	–	82-46-101-39	7-18	–
82-32-101-20	3-20	–	82-46-101-39	7-18	–
82-32-101-20	3-20A	–	82-46-101-39	7-18	–
82-32-101-20	3-20A	–	82-46-101-39	7-18	–
82-32-101-20	3-20B	–	8-32X1/4 IN	7-5	530
82-32-101-20	3-20B	–	8473 H5L16	5-6	–
82-32-101-20	7-8	250	8473 H5L16	5-7	90
82-32-101-20	7-18	–	8473RUPH5-L16	5-6	–
82-32-101-20	7-18	–	848-FSO-10-08	3-7	10
82-32-101-20	7-18	–	848-FSO-10-08	3-7	320
82-32-101-20	7-18	–	849-FSO-06-08	3-23	220
82-35-302-15	3-18	–	85-140-16	7-11	380
82-35-302-15	3-18	–	85-34-101-17	7-1	–
82-35-302-15	3-18	–	85-46-101-39	7-1	–

ENSTROM F-28/280 SERIES ILLUSTRATED PARTS CATALOG

PART NUMBER INDEX

Part Number	Figure	Item	Part Number	Figure	Item
85-9217-06	3-30	40A	A-10019-E	3-23	140
883-FS-06X04	3-4	120	A10K166	7-6	650
8x1/2	10-1	17	A-1280-1	6-6	60
8x1/2	10-2	9	A-1280-2	6-6	30
8X1/2	3-17	160	A-1280-3	6-6	30
8X1/2	3-17	180	A1285-C-12	6-4	80
8X1/2	3-17	90	A1285-G-12	6-4	20
8x1/2	9-1	15	A-1285-G-12	6-6	20B
8x1/2	9-3	–	A1285-R-12	6-4	10
8x1/2	9-4	–	A-1285-R-12	6-6	20A
8x3/4	9-2	7	A1784-6Z1D	3-17	20
8X3/8	6-5	255	A1784-6Z-1	3-17	20
8x3/8	9-3	20	A1784-6Z-1	9-1	10
8x3/8	9-3	20A	A1785-6Z1D	7-5	630
8x3/8	9-4	–	A1787-8Z-1	9-1	4
8x3/8	9-4	–	A1787-8Z-1	7-22	280
8X5/8	3-20	291	A1789-8Z1	10-1	8
90D030N-MOD-2	8-16	70	A1789-8Z1	10-2	8
90D030N-MOD-2	8-17	70	A1789-8Z1	10-3	–
951789	3-23	660	A1789-8Z1	10-4	150
959-3	12-12	30	A2037	12-11	110
959-5	4-4	130	A2126	12-11	100
96394-01	3-30	–A	A-218-938517-00	8-5	–180F
97CSX-2 24VDC	6-7	190	A350CNIWBKSH28	11-8	80
980-001	3-2	270	A350CNIWBKSH28	11-7	180
980-001	4-2	–	A413A,HDA,DF	6-6	150
980-001	6-6	200	A421-1	11-21	1260
980-001	11-20	90	A-440	6-6	100
980-001	7-8	300	A457A	6-6	430
980-001	7-9	360	A469	6-6	360
980-003	7-8	170	A470-R	6-6	230
A005-1991	12-2	120	A490T-DF14	6-6	150A
A01787-8Z-1D	7-7	40	A490T-DF28	6-6	150B
A01787-8Z-1D	7-10	490	A508-14	6-6	140
A01789-8Z1D	7-22	280	A508-14	6-6	440
A01789-8Z-1D	3-20	292	A508-28	6-6	140
A01789-8Z-1D	7-10	530	A53C	3-1	30
A06191-8Z-1D	6-12	40	A53C	3-2	30
A06195-8Z-1D	7-10	630	A555-H	6-6	420
A-10019-D	3-23	140	A610	6-6	130

ENSTROM F-28/280 SERIES ILLUSTRATED PARTS CATALOG

PART NUMBER INDEX

Part Number	Figure	Item	Part Number	Figure	Item
A612	6-6	400	AFP5	3-2	30
A615	6-6	410	AJ4-30	7-9	160
A6195-8Z1D	9-4	-	AJ4-35	7-1	530
A6195-8Z-1D	9-4	-	AJ4-35	7-10	-
A-740-12	10-1	19	AJW4-30	3-2	111
A-740-12	10-2	21	AJW4-30	3-20	-
A-740-12	10-3	14	AJW4-30	3-20	-
A-740-12	10-4	220	AJW4-30	3-20A	-
A-8110-G	3-22	150	AJW4-30	3-20A	-
A8943-632-493	11-6	70	AJW4-30	3-20B	-
A8944-632-493	11-6	150	AJW4-30	3-20B	-
A8970B-1-330	11-1	390	AJW4-30	3-20B	-
A8970B-1-330	11-2	290	AJW4-30	3-20B	-
A8970B-1-330	11-3	290	ALJF3T	7-6	520
A8970B-1-330	11-4	280	ALJFL3T	7-6	450
A8970B-1-330	11-5	-	ALU8521LS	3-31	-
A8970B-1-330	11-6	180	AN100C-4	12-5	790
A8P150	11-22	20	AN173-17A	3-11	70
A-8970B-1-330	6-4	350	AN173-21A	3-11	80
AA-2204	6-12	80	AN173-21A	8-15	100
AA-28-14385-15	4-2.1	10A	AN174-21	8-4	280
AA-28-14386-1	4-2.1	40A	AN176-15A	4-2	290
AA8131	6-12	120	AN176-17A	4-2	300
AA-832-06	11-8	485	AN178-21	4-3	130
AA86146	5-6	170	AN210-1B	12-5	890
AA-ECD-084-280	4-2.1	50	AN210-2B	12-5	860
ABC6114	8-14	30	AN210-3B	12-5	880
ABC6114-101	8-14	30	AN2552-3A	6-13	120
ABEC-3	12-9	160	AN3-10	3-10	280
ABM1M-A-C	11-19	120	AN310-5	3-28	380
ABM1M-A-C	6-12	90	AN310-7	3-30	50A
ABM1M-A-C	6-2	-	AN3-10A	3-10	140
AC78M	6-9	10	AN3-10A	3-11	130
ACF-50	4-2	-	AN3-10A	8-11	50
AD43BSLF	7-5	50	AN3-10A	8-13	100
AD44BSLF	7-5	-60	AN3-11	3-28	330
AD45BSLF	7-5	-70	AN3-11A	11-18	5
AE80664H	3-3	-	AN3-11A	12-4	280
AEROSHELL 22	5-2	-	AN3-11A	3-23	550
AFP5	3-1	30	AN3-11A	3-6	150

ENSTROM F-28/280 SERIES ILLUSTRATED PARTS CATALOG

PART NUMBER INDEX

Part Number	Figure	Item	Part Number	Figure	Item
AN3-11A	3-7	120	AN316-3R	3-14	40
AN3-11A	5-3	190	AN316-3R	3-15	40
AN3-12	3-11	460	AN316-4L	8-11	210
AN3-12A	11-7	610	AN316-4R	3-11	–
AN3-12A	11-9	210	AN316-4R	3-11	190
AN3-12A	3-10	210	AN316-4R	8-11	210
AN3-12A	3-13	70	AN316-4R	8-18	60
AN3-12A	4-2	425	AN316-4R	8-19	50
AN3-12A	4-2.1	130	AN316-5	8-3	150
AN3-12A	5-5	250	AN316-5	8-5	–
AN3-12A	8-12	80	AN316-5L	12-6	150
AN3-12A	8-14	80	AN316-5L	5-5	210
AN3-13	3-11	420	AN316-5L	8-20	160
AN3-13	3-14	70	AN316-5L	8-4	120
AN3-13A	3-10	170	AN316-5L	8-5	–
AN3-13A	3-12	110	AN316-5L	12-5	190
AN3-13A	3-13	40	AN316-5R	12-6	170
AN3-13A	3-26	200	AN316-5R	5-2	160
AN3-13A	8-13	90	AN316-5R	5-5	190
AN3-14A	3-23	560	AN316-5R	8-20	170
AN3-14A	6-13	30	AN316-5R	8-3	150
AN3-14A	8-5A	140	AN316-5R	8-4	110
AN315-3L	7-6	440	AN316-5R	8-6A	120
AN315-3R	3-10	270	AN316-5R	12-5	310
AN315-3R	3-14	40	AN316-6R	5-6	–
AN315-3R	3-15	40	AN316-6R	6-11	30
AN315-3R	3-28	230	AN316-7R	3-14	90
AN315-3R	3-28	280	AN316-7R	3-15	100
AN315-3R	3-28	280	AN316-8R	3-14	90
AN315-3R	3-28	280	AN316-8R	3-15	100
AN315-3R	3-28	280	AN316-8R	5-3	500
AN315-3R	7-6	530	AN3-16A	7-15	280
AN315-3R	7-5	390	AN3-16A	7-16	30
AN315-4R	6-2	–	AN3-16A	7-17	260
AN315-4R	6-2	–	AN3-16A	8-11	90
AN315-4R	6-2	–	AN3-16A	8-13	130
AN316-12	3-24	460	AN3-16A	8-18	10
AN316-12R	3-15	80	AN3-17A	8-5	310
AN316-12R	3-24	460	AN3-17A	8-7	50
AN316-12R	5-3	480	AN3-17A	7-15	100

ENSTROM F-28/280 SERIES ILLUSTRATED PARTS CATALOG

PART NUMBER INDEX

Part Number	Figure	Item	Part Number	Figure	Item
AN3-17A	7-16	40	AN340-8	10-3	–
AN3-17A	7-17	310	AN340-8	10-4	210
AN320-6	8-1	150	AN340-8	3-2	250
AN320-7	8-1	120	AN340-8	3-20	600
AN320-8	5-3	90	AN340-8	3-20A	600
AN320-8	8-3A	400	AN340-8	3-20B	600
AN3-20A	7-15	50	AN340-8	3-22	130
AN3-20A	7-17	140	AN340-8	3-23	110
AN3-21A	9-5	60	AN340-8	3-24	140
AN3-22	3-11	380	AN340-8	3-4	310
AN3-22A	5-1	120	AN340-8	3-5	80
AN3-22A	8-11	300	AN340-8	3-6	120
AN3-23A	3-12	90	AN340-8	3-7	80
AN3-23A	8-13	50	AN340-8	5-1	370
AN3-23A	8-18	40	AN340-8	6-1	–
AN3-23A	8-19	140	AN340-8	6-1	–
AN3-24A	8-14	110	AN340-8	6-1	–
AN3-24A	8-19	20	AN340-8	6-1	–
AN3-27A	7-20	140	AN340-8	6-13	–
AN3-3A	3-20	450	AN340-8	6-2	–
AN3-3A	3-20A	450	AN340-8	9-1	8
AN3-3A	3-20B	450	AN340-8	9-2	14
AN3-3A	3-22	20	AN340-8	11-13	110
AN3-3A	6-2	–	AN340-8	11-14	140
AN3-3A	6-2	–	AN340-8	11-16	80
AN3-3A	6-3	20	AN340-832	11-18	50
AN3-3A	8-18	100	AN340-832	12-4	120
AN3-3A	8-19	100	AN340-832	3-2	250
AN3-3A	8-5	240	AN340-832	3-4	310
AN340-4	8-9	90	AN340-832	3-9	120
AN340-4	8-10	90	AN340-832	8-3A	290
AN340-6	3-16	110	AN340-832	11-17	180
AN340-6	3-26	120	AN340-832	7-1	700
AN340-6	11-20	80	AN340-832	7-2	130
AN340-6	7-1	–	AN341-516	6-13	–
AN340-632	3-20	370	AN345-10	3-1	90
AN340-632	3-20A	370	AN345-10	3-20	595
AN340-632	3-20B	370	AN345-10	3-20B	595
AN340-632	11-5	–	AN345-10	3-25	50
AN340-632	11-6	80	AN345-10	6-13	–

ENSTROM F-28/280 SERIES ILLUSTRATED PARTS CATALOG

PART NUMBER INDEX

Part Number	Figure	Item	Part Number	Figure	Item
AN345-10	8-9	–	AN363-524	3-3	180
AN345-10	8-10	–	AN364-1018A	5-6	20
AN345-1032	7-5	750	AN364-1032	8-12	100
AN3-4A	3-10	30	AN364-1032	8-12	180
AN3-4A	3-12	20	AN364-1032	8-13	70
AN3-4A	3-20	470	AN364-1032	8-18	30
AN3-4A	3-20A	470	AN364-1032	8-5	260
AN3-4A	3-20B	–	AN364-1032	8-5A	160
AN3-4A	3-20B	470	AN364-1032	8-6	60
AN3-4A	3-23	20	AN364-1032	8-7	70
AN3-4A	3-28	100	AN364-1032A	3-10	190
AN3-4A	3-28	40	AN364-1032A	3-11	160
AN3-4A	3-6	250	AN364-1032A	3-13	60
AN3-4A	3-7	150	AN364-1032A	3-21	50
AN3-4A	3-7	250	AN364-1032A	3-26	220
AN3-4A	6-13	186	AN364-1032A	5-1	150
AN3-4A	6-13	260	AN364-1032A	5-3	460
AN3-4A	7-10	650	AN364-1032A	5-5	300
AN3-4A	7-9	380	AN364-1032A	6-13	–
AN3-4A	8-18	80	AN364-1032A	6-13	–
AN3-4A	8-19	70	AN364-1032A	6-13	–
AN3-4A	8-6	40	AN364-1032A	6-13	188
AN3-4A	8-6A	130	AN364-1032A	6-13	195
AN3-4A	9-5	40	AN364-1032A	6-14	130
AN3-5	3-10	230	AN364-1032A	6-3	40
AN3-5A	12-3	70	AN364-1032A	8-11	70
AN3-5A	3-12	70	AN364-1032A	8-14	130
AN3-5A	3-20	500	AN364-1032A	8-19	40
AN3-5A	3-20A	500	AN364-1032A	8-6A	150
AN3-5A	3-20B	500	AN364-1032A	7-1	–
AN3-5A	3-21	20	AN364-1032A	7-3	70
AN3-5A	3-7	330	AN364-1032A	7-9	140
AN3-5A	5-5	310	AN364-1032A	7-17	110
AN3-5A	7-15	240	AN364-1216A	4-2	270
AN3-5A	7-16	150	AN364-1216A	7-20	560
AN3-5A	7-5	870	AN364-428	8-12	130
AN3-5A	7-9	90	AN364-428	8-18	180
AN3-5A	8-12	160	AN364-428	8-8	60
AN3-6	12-7	190	AN364-428A	3-22	180
AN3-6	3-13	90	AN364-428A	3-22	290

ENSTROM F-28/280 SERIES ILLUSTRATED PARTS CATALOG

PART NUMBER INDEX

Part Number	Figure	Item	Part Number	Figure	Item
AN364-428A	3-23	190	AN364-832A	10-4	270
AN364-428A	5-1	490	AN364-832A	10-4	410
AN364-428A	5-1	70	AN364-832A	10-4	90
AN364-428A	5-5	140	AN364-832A	11-19	228
AN364-428A	6-13	–	AN364-832A	3-2	190
AN364-428A	7-17	360	AN364-832A	6-6	340
AN364-428A	8-11	10	AN364-832A	6-7	110
AN364-428A	8-11	150	AN364-832A	6-7	210
AN364-428A	12-13	300	AN364-832A	9-2	32
AN364-428A	12-10	160	AN364-832A	9-3	410
AN364-428A	12-11	230	AN364-832A	11-11	200
AN364-428A	12-12	270	AN364-832A	7-5	200
AN364-524A	5-4	230	AN364-832A	7-11	470
AN364-524A	7-20	–	AN364-W33A	7-9	390
AN364-524A	7-21	30	AN365-1032	8-18	220
AN364-624A	4-2	320	AN365-1032A	11-11	90
AN364-624A	5-3	330	AN365-1032A	11-18	10
AN364-624A	7-19	40	AN365-1032A	12-2	80
AN364-632A	6-14	40	AN365-1032A	3-10	155
AN364-632A	6-4	–	AN365-1032A	3-10	40
AN364-632A	6-4	–	AN365-1032A	3-11	100
AN364-632A	6-4	–	AN365-1032A	3-12	50
AN364-632A	6-4	–	AN365-1032A	3-20	520
AN364-632A	6-4	–	AN365-1032A	3-20A	520
AN364-632A	6-4	–	AN365-1032A	3-20B	520
AN364-632A	6-6	190	AN365-1032A	3-23	580
AN364-632A	9-2	41	AN365-1032A	3-6	170
AN364-632A	12-13	330	AN365-1032A	3-6	270
AN364-632A	7-1	–	AN365-1032A	3-7	140
AN364-632A	7-11	440	AN365-1032A	5-3	220
AN364-632A	12-11	50	AN365-1032A	5-6	–
AN364-632A	12-12	300	AN365-1032A	7-9	110
AN364-820A	5-3	130	AN365-1032A	7-9	350
AN364-820A	5-4	120	AN365-1032A	7-15	70
AN364-832	6-5	32	AN365-1032A	7-16	60
AN364-832	9-3	360	AN365-1032A	7-17	160
AN364-832A	10-3	–	AN365-1032A	7-20	160
AN364-832A	10-3	–	AN365-1032A	8-15	120
AN364-832A	10-3	–	AN365-1032C	3-27	70
AN364-832A	10-3	–	AN365-1032C	3-28	110

ENSTROM F-28/280 SERIES ILLUSTRATED PARTS CATALOG

PART NUMBER INDEX

Part Number	Figure	Item	Part Number	Figure	Item
AN365-1032C	3-28	110	AN365-832A	7-8	50
AN365-1032C	3-28	50	AN365-832A	7-9	320
AN365-425	7-22	90	AN3-6A	3-21	20
AN365-428	5-6	310	AN3-6A	3-3	–
AN365-428	5-7	80	AN3-6A	6-13	–
AN365-428A	12-2	110	AN3-6A	7-10	–620
AN365-428A	5-4	410	AN3-7	3-10	330
AN365-428A	6-2	–	AN3-7	3-14	10
AN365-428A	7-5	890	AN3-7	3-15	10
AN365-428A	7-15	190	AN380-2-2	10-1	11
AN365-428A	7-16	220	AN380-2-2	10-2	12
AN365-428A	7-17	250	AN380-4-8	4-2	200
AN365-428A	7-19	100	AN381-2-10	12-8	250
AN365-428A	7-20	120	AN381-2-10	5-1	300
AN365-524A	4-1	140	AN381-2-10	7-6	70
AN365-524A	7-19	70	AN381-2-10	8-3	50
AN365-524A	7-20	70	AN381-2-10	8-5	470
AN365-624A	5-4	380	AN381-2-12	3-24	530
AN365-632A	3-17	130	AN381-2-16	12-8	90
AN365-632A	6-11	–	AN381-2-7	8-2	70
AN365-632A	6-6	260	AN381-2-7	8-3A	370
AN365-632A	7-21	280	AN381-2-7	8-4	300
AN365-632A	7-8	150	AN381-2-7	7-5	280
AN365-632A	7-9	70	AN381-2-8	10-3	–
AN365-632A	9-3	110	AN381-2-8	10-4	170
AN365-632A	9-4	100	AN381-2-8	12-10	210
AN365-632A	9-4	210	AN381-2-8	12-6	100
AN365-8	10-1	–	AN381-2-8	12-6	210
AN365-832	10-2	–	AN381-2-8	12-7	250
AN365-832	7-1	80	AN381-2-8	3-10	250
AN365-832	7-1	–	AN381-2-8	3-11	320
AN365-832	7-1	–	AN381-2-8	3-13	110
AN365-832	7-1	670	AN381-2-8	3-14	60
AN365-832	7-4	150	AN381-2-8	3-15	60
AN365-832A	3-10	100	AN381-2-8	3-28	320
AN365-832A	3-2	190	AN381-2-8	5-2	110
AN365-832A	6-11	221	AN381-2-8	5-3	410
AN365-832A	8-6	120	AN381-2-8	5-5	170
AN365-832A	8-6A	60	AN381-2-8	8-20	80
AN365-832A	7-5	380	AN381-2-8	8-3	100

ENSTROM F-28/280 SERIES ILLUSTRATED PARTS CATALOG

PART NUMBER INDEX

Part Number	Figure	Item	Part Number	Figure	Item
AN381-2-8	8-4	190	AN4-14	5-3	550
AN381-2-8	8-5	420	AN4-14	8-3	70
AN381-2-8	8-5A	130	AN4-14A	7-13	50
AN381-2-8	8-6A	200	AN4-14A	7-19	80
AN381-2-8	8-21	70	AN4-14A	7-20	290
AN381-3-12	8-5A	80	AN4-14A	8-12	110
AN381-3-16	4-3	170	AN4-14A	8-18	160
AN381-3-16	8-1	140	AN4-15A	5-1	10
AN381-3-16	8-3A	410	AN4-16	3-11	330
AN386-2-7A	12-2	60	AN416-1	12-5	110
AN386-2-7A	5-6	–	AN4-17	8-20	20
AN386-2-8A	12-2	50	AN4-17	8-5	370
AN393-11	3-28	300	AN4-17A	5-6	290
AN393-11	7-5	270	AN4-17A	5-7	60
AN394-17	5-5	150	AN4-17A	8-8	110
AN3C10A	3-29	100	AN4-20	8-20	220
AN3C4A	3-27	60	AN4-20A	7-15	270
AN3C4A	3-28	100	AN4-20A	7-16	200
AN3C4A	3-28	40	AN4-20A	7-17	230
AN3H3A	12-1	240	AN4-21A	7-15	170
AN3H5A	12-3	70A	AN4-21A	7-16	110
AN3H-5A	5-3	450	AN4-22A	7-15	260
AN3H6A	5-3	450	AN4-22A	7-17	280
AN4076-1	11-19	130	AN4-23	8-3A	310
AN4076-1	5-6	160	AN4-23A	5-1	220
AN4-10A	8-11	130	AN426A3-3	3-19	–
AN4-10A	8-8	70	AN4-27A	7-20	550
AN4-11	5-3	360	AN42B-14	7-1	–
AN4-11	8-4	230	AN42B-C11A	7-3	50
AN4-11A	7-17	340	AN42B-C12A	7-3	50
AN4-11A	8-8	140	AN42B-C14A	7-3	50
AN4-12A	5-5	100	AN4-30A	7-20	100
AN4-12A	8-8	30	AN4-31A	7-22	70
AN4-13	12-6	10	AN4-34A	7-20	240
AN4-13	12-10	250	AN4-37	3-11	270
AN4-13A	3-22	270	AN4-37A	7-20	270
AN4-13A	3-23	290	AN4-3A	3-22	160
AN4-13A	5-5	350	AN4-3A	3-23	180
AN4-14	12-6	190	AN4-3A	6-13	180
AN4-14	5-1	260	AN4-3A	6-2	–

ENSTROM F-28/280 SERIES ILLUSTRATED PARTS CATALOG

PART NUMBER INDEX

Part Number	Figure	Item	Part Number	Figure	Item
AN4-3A	6-2	–	AN503-10-10	8-3A	170
AN4-3A	6-2	–	AN503-10-18	12-8	260
AN4-3A	6-2	–	AN503-10-18	12-5	690
AN4-4A	5-6	220	AN503-10-6	5-2	50
AN4-4A	7-13	30	AN503-10-8	12-7	240
AN4-4A	12-10	180	AN503-10-8	3-3	210
AN4-5A	5-3	150	AN503-416-10	3-20	530
AN4-5A	12-13	280	AN503-416-10	3-20	530
AN4-5A	12-12	250	AN503-416-10	3-20A	530
AN4-6A	5-1	470	AN503-416-10	3-20B	530
AN4-6A	9-5	10	AN503-416-10	3-20B	530
AN4-7A	12-2	90	AN503-416-10	3-4	40
AN4-7A	5-4	390	AN503-416-28	3-20	530
AN4-7A	7-5	950	AN503-416-28	3-20A	530
AN4-7A	7-13	10	AN503-416-28	3-20B	530
AN4C5A	3-29	60	AN503-416-28	3-7	360
AN4H10A	4-4	170	AN503-8-6	8-7	–
AN4H-12A	3-11	260	AN503-8-6	8-10	380
AN4H15A	4-4	280	AN503-8-8	8-9	130
AN4H4A	12-13	270	AN503-8-8	8-9	380
AN4H-4A	12-9	120	AN503-8-8	8-10	130
AN4H-4A	12-11	170	AN507-1032-8	7-5	460
AN4H-4A	12-12	240	AN507-1032R14	6-13	130
AN4H-5A	12-10	300	AN507-632-5	7-1	500
AN4H-5A	12-11	210	AN507-632R12	6-4	100
AN500-416-7	3-23	160	AN507-632R14	6-6	170
AN500-6-8	3-26	110	AN507-632R24	6-6	160
AN502-10-10	8-3A	260	AN507-632R5	7-11	420
AN502-10-10	8-9	20	AN507-632R8	6-4	50
AN502-10-10	8-10	20	AN507-632R8	6-6	210
AN502-10-10	7-15	140	AN507-632R8	6-6	380
AN502-10-10	7-16	240	AN507-832-16	6-9	50
AN502-10-14	3-28	220	AN507-832R10	11-20	120
AN502-10-8	3-20	400	AN507-832R7	7-2	100
AN502-10-8	3-20A	400	AN507-832R9	7-1	680
AN502-10-8	3-20B	400	AN507-8R9	7-4	110
AN502-10-8	3-9	130	AN507-B-632-R6	11-6	430
AN502-10-8	8-9	–	AN507C1032-12	7-1	820
AN502-10-8	8-10	–	AN507C-1032-12	7-1	–
AN503-10-10	8-2	10	AN507C-632-8	7-1	300

ENSTROM F-28/280 SERIES ILLUSTRATED PARTS CATALOG

PART NUMBER INDEX

Part Number	Figure	Item	Part Number	Figure	Item
AN507C-832-12	7-1	280	AN515-8-7	10-2	22
AN509-10R16	6-13	192	AN515-8-8	3-2	230
AN509-10R38	3-12	80	AN515-8-8	6-1	110
AN509-832R4	6-11	240	AN515-8-8	6-1	50
AN509-8R10	7-4	140	AN515-8-8	11-14	160
AN509-8R12	7-1	870	AN515-8R10	3-22	400
AN509-8R16	7-4	280	AN515-8R10	3-23	80
AN509-8R18	7-1	60	AN515-8R10	3-24	240
AN509-8R4	8-13	30	AN515-8R10	3-4	280
AN5-10	8-5	430	AN515-8R10	3-5	50
AN5-11	8-20	180	AN515-8R10	3-6	90
AN5-11	8-4	200	AN515-8R10	3-7	50
AN5-11	8-5	520	AN515-8R10	11-13	100
AN5-11	8-6A	160	AN515-8R10	11-16	120
AN5-11A	3-3	170	AN515-8R12	3-4	280
AN5-12	8-3	20	AN515-8R14	6-11	60
AN5-12	8-5	510	AN515-8R16	3-22	100
AN5-13	8-5A	90	AN515-8R16	11-13	150
AN515-10-16	12-10	280	AN515-8R20	3-24	250
AN515-10-6	3-1	60	AN515-8R7	10-3	–
AN515-4R12	8-9	60	AN515-8R7	10-3	7
AN515-4R12	8-10	60	AN515-8R7	10-3	8
AN515-6-6	3-20	340	AN515-8R7	3-17	140
AN515-6-6	3-20A	340	AN515-8R7	3-20	430
AN515-6-6	3-20B	340	AN515-8R7	3-20A	430
AN515-6-6	6-4	260	AN515-8R7	3-20B	430
AN515-6-6	6-4	300	AN515-8R7	3-6	230
AN515-6-R11	6-5	190	AN515-8R7	3-7	250
AN515-6R3	11-17	20	AN515-8R7	3-7	280
AN515-6R7	3-17	110	AN515-8R8	10-2	–
AN515-6R8	3-26	110	AN515-8R8	10-3	–
AN515-8-10	6-1	130	AN515-8R8	10-4	180
AN515-8-10	6-1	70	AN515-8R8	10-4	230
AN515-8-10	11-14	–	AN515-8R8	10-4	50
AN515-8-16	3-22	100	AN515-8R8	12-4	90
AN515-8-16	11-14	110	AN515-8R8	3-19	140
AN515-8-16	12-9	210	AN515-8R8	3-2	260
AN515-8-20	11-14	170	AN515-8R8	3-20	570
AN515-8-24	11-14	–	AN515-8R8	3-20A	570
AN515-8-7	10-1	20	AN515-8R8	3-20B	570

ENSTROM F-28/280 SERIES ILLUSTRATED PARTS CATALOG

PART NUMBER INDEX

Part Number	Figure	Item	Part Number	Figure	Item
AN515-8R8	3-24	130	AN525-832R10	7-5	450
AN515-8R8	11-17	150	AN525-832R10	7-10	70
AN515-8R8	7-9	300	AN525-832R10	7-12	50
AN515-8R8	7-9	400	AN525-832R14	6-11	150
AN515-8-R8	11-18	40	AN525-832R16	7-4	180
AN515-8R8-832	3-2	230	AN525-832R18	3-24	250
AN515B-6-R12	11-6	50	AN525-832R20	6-5	30
AN515B-6-R14	11-5	–	AN525-832R22	3-25	90
AN515B-6-R14	11-6	140	AN525-832R6	3-1	160
AN515B-6-R16	11-6	60	AN525-832R6	6-5	220
AN515B-6-R18	11-6	130	AN525-832R6	7-6	260
AN515-B6R3	11-8	130	AN525-832R6	8-6A	40
AN515-B6R3	11-9	–	AN525-832R6	7-1	440
AN515-B6R3	11-7	330	AN525-832R6	7-8	110
AN515B-6-R6	11-6	220	AN525-832R7	7-1	410
AN515B-6-R7	11-6	380	AN525-832R7	7-5	600
AN515B-8-R12	11-8	515	AN525-832R7	7-9	–
AN5-16	8-4	140	AN525-832R7	7-11	450
AN517-8R7	3-9	90	AN525-832R8	11-19	205
AN5-17A	7-20	400	AN525-832R8	3-23	50
AN520-10-16	12-11	310	AN525-832R8	3-25	20
AN520-10-16	12-12	230	AN525-832R8	6-10	60
AN520-10-40	12-11	340	AN525-832R8	11-11	180
AN520-10-40	12-12	330	AN525-832R8	11-16	60
AN520-10-9	7-9	120	AN525-832R8	7-5	180
AN5-22	5-1	400	AN525-832R8	7-5	310
AN5-22A	7-20	420	AN525-832R8	7-5	820
AN525-1032-8	7-9	330	AN525-832R8	7-8	30
AN525-1032R12	7-17	90	AN525-832R8	7-8	320
AN525-10R10	7-6	360	AN525-832R8	7-10	100
AN525-10R24	6-13	70	AN525-832R8	7-12	40
AN525-10R7	3-17	140	AN525-832R8	7-15	120
AN525-10R7	7-10	265	AN525-832R8	7-16	260
AN525-10R8	7-10	590	AN526-1032-6	12-9	200
AN525-10R8	9-3	370	AN526-1032R6	6-14	110
AN525-8R6	5-1	340	AN526-1032R8	3-20	565
AN525-832-18	7-1	640	AN526-1032R8	3-20A	565
AN525-832R10	11-19	185	AN526-1032R8	3-20B	565
AN525-832R10	9-2	30	AN526-1032R8	3-20B	565
AN525-832R10	9-3	370	AN526-1032R8	3-5A	150

ENSTROM F-28/280 SERIES ILLUSTRATED PARTS CATALOG

PART NUMBER INDEX

Part Number	Figure	Item	Part Number	Figure	Item
AN526-1032R8	6-13	–	AN526-832R8	6-10	60
AN526-1032R8	11-11	70	AN526-832R8	6-13	250
AN526-1032R8	7-5	510	AN526-832R8	6-5	210
AN526-632-5	7-1	–	AN526-832R8	6-5	40
AN526-632R10	9-2	39	AN526-832R8	6-6	320
AN526-632R12	11-19	45	AN526-832R8	6-7	90
AN526-632R16	6-5	–	AN526-832R8	6-8	40
AN526-632R16	6-5	–	AN526-832R8	9-1	6
AN526-632R4	5-4	340	AN526-832R8	9-2	12
AN526-632R5	6-14	20	AN526-832R8	9-3	270
AN526-632R6	6-6	250	AN526-832R8	9-4	240
AN526-632R6	11-20	40	AN526-832R8	7-5	180
AN526-632R6	7-9	50	AN526-832R8	7-8	30
AN526-632R7	6-4	130	AN526-832R8	7-12	40
AN526-632R7	6-6	280	AN526-832R8	7-15	320
AN526-632R7	11-20	50	AN526-832R8	7-16	70
AN526-632R8	6-4	170	AN526-832R8	7-17	120
AN526-632R8	6-4	280	AN526-832R9	6-5	245
AN526-632R8	6-6	310	AN526-8-8	7-1	230
AN526-632R8	6-6	370	AN526-8R12	7-4	60
AN526-632R8	6-7	160	AN526-8R7	3-10	80
AN526-632R8	7-1	–	AN526-8R8	9-3	330
AN526-632R9	7-3	130	AN526C1032-9	7-3	90
AN526-6R6	3-16	80	AN526-C1032-9	7-1	–
AN526-6R8	7-4	360	AN526C832R8	3-22	50
AN526-832-5	3-2	260	AN530-6-6	7-1	210
AN526-832-8	7-8	180	AN530-6-8	9-3	40
AN526-832R10	6-11	210	AN530-6-8	9-4	40
AN526-832R10	6-5	240	AN530-6-8	7-1	–
AN526-832R10	6-7	30	AN530-6R6	3-17	30
AN526-832R10	7-12	50	AN530-6R6	3-17	60
AN526-832R6	6-13	250	AN530-6R6	7-5	860
AN526-832R6	6-4	200	AN530-6R8	7-5	640
AN526-832R7	10-4	300	AN530-8-7	7-1	–
AN526-832R7	10-4	390	AN530-8-8	10-1	7
AN526-832R7	3-10	80	AN530-8-8	10-2	7
AN526-832R7	6-11	210	AN530-8R8	10-3	4
AN526-832R8	10-3	12	AN530-8R8	10-4	130
AN526-832R8	11-19	226	AN530-8R8	3-17	160
AN526-832R8	3-2	120	AN530-8R8	3-17	180

ENSTROM F-28/280 SERIES ILLUSTRATED PARTS CATALOG

PART NUMBER INDEX

Part Number	Figure	Item	Part Number	Figure	Item
AN530-8R8	7-9	210	AN737TW34-38	3-3	130
AN530-8R8	9-1	3	AN73A3	5-3	430
AN530-8R8	9-3	530	AN742-40	10-1	–
AN530-8R8	9-4	–	AN742D28	3-5A	90
AN530C8-8	3-27	–	AN742D28	3-5A	170
AN531-6-6	7-5	590	AN742D38	10-3	–
AN531-6R10	9-4	40	AN742D48	10-3	–
AN531-6R10	9-4	80	AN742D48	10-3	15
AN531-6R6	7-1	130	AN742D48	10-4	250
AN531-6R6	7-4	400	AN742D48	10-4	70
AN531-6R8	9-3	60	AN742D-48	3-1	40
AN531-6R8	9-4	60	AN742-D48	10-2	28
AN531-6R8	7-4	600	AN742-F6	3-20	620
AN5-35A	5-4	210	AN742-F6	3-20A	620
AN5-35A	7-19	50	AN742-F6	3-20B	620
AN5-35A	7-20	330	AN742F8	5-5	290
AN536-632R6	7-8	130	AN743-13	10-1	21
AN5-37A	7-20	300	AN743-13	10-2	23
AN5-43A	4-1	50	AN743-13	10-3	17
AN5-44A	4-1	50	AN743-13	10-4	470
AN5-4A	6-13	220	AN743-13	11-15	110
AN5-4A	7-17	–	AN743-13	11-19	230
AN5546-1	11-19	135	AN743-13	3-24	–
AN5546-1	5-6	170	AN743-13	3-24	–
AN5-6A	7-20	60	AN743-13	3-24	–
AN5C13A	3-29	90	AN743-13	3-24	320
AN5H10A	7-13	60	AN743-13	11-11	100
AN5H-45A	4-1	20	AN743-13	11-13	140
AN5H-46A	4-1	20	AN743-13	11-14	150
AN5H-6A	4-1	10	AN74A11	3-3	50
AN5H7A	7-13	90	AN74A4	3-1	130
AN6-10A	5-4	360	AN74A4	3-2	290
AN6195-8Z-1D	9-3	–	AN74A4	3-29	80
AN6195-8Z-1D	9-3	–	AN74A5	3-3	110
AN6-22	8-5A	60	AN7-50	3-30	10A
AN6227-6	5-6	–	AN75A12	8-4	260
AN665-21R	7-5	400	AN75-A12	4-2	350
AN665-46R	5-5	180	AN75A41	3-23	460
AN737TW22	3-3	320	AN75A5	3-29	70
AN737TW22	3-4	80	AN75A5	3-3	20

ENSTROM F-28/280 SERIES ILLUSTRATED PARTS CATALOG

PART NUMBER INDEX

Part Number	Figure	Item	Part Number	Figure	Item
AN75A6	4-2	340	AN816-6	3-22	230
AN75A6	8-4	250	AN816-6	3-23	400
AN7H7A	12-13	350	AN816-6D	3-24	270
AN7H-7A	12-9	10	AN816-6D	5-6	110
AN7H-7A	12-11	10	AN818-2	3-23	–
AN7H-7A	12-12	320	AN818-4D	11-15	–
AN8-10A	5-4	20	AN818-4D	11-15	–
AN814-2DL	12-1	70	AN818-4D	11-15	–
AN814-2DL	4-4	260	AN818-4D	11-15	–
AN815-4	3-22	440	AN818-4D	11-15	–
AN815-4	3-23	440	AN818-4D	11-15	–
AN815-4	11-11	150	AN818-4D	11-15	–
AN815-4D	3-4	170	AN818-4D	11-15	–
AN815-4D	11-7	690	AN818-4D	3-24	80
AN815-4D	11-8	340	AN822-4D	3-24	350
AN815-4D	11-9	270	AN822-4D	11-11	20
AN815-4D	11-10	100	AN822-6D	3-26	180
AN815-4D	11-12	40	AN823-4D	3-24	350
AN815-4D	11-13	70	AN823-6-6D	3-6	20
AN815-4D	11-15	60	AN824-4D	11-11	40
AN815-6	3-23	–	AN824-4D	11-12	30
AN815-6	3-6	70	AN824-4D	11-15	55
AN815-6	3-8	80	AN824-4D	3-24	100
AN816-4	3-4	190	AN824-4D	3-24	100
AN816-4	3-8	40	AN824-6D	3-4	100
AN816-4D	11-8	–	AN832-4	3-24	180
AN816-4D	11-8	–	AN832-4D	3-24	180
AN816-4D	11-8	–	AN832-4D	11-10	70
AN816-4D	11-8	–	AN832-4D	11-11	110
AN816-4D	11-8	325	AN833-4	11-13	60
AN816-4D	11-9	255	AN833-4	11-14	10
AN816-4D	3-22	310	AN833-4	11-15	15
AN816-4D	3-23	320	AN833-4D	11-15	15
AN816-4D	3-24	350	AN834-4	3-24	380
AN816-4D	3-24	80	AN834-4D	3-24	380
AN816-4D	3-8	40	AN834-4D	11-11	40
AN816-4D	11-7	730	AN900-10	5-6	120
AN816-4D	11-12	10	AN900-6	5-6	140
AN816-4D	11-12	130	AN900-8	5-6	120
AN816-4D	11-13	180	AN911-1D	3-24	360

ENSTROM F-28/280 SERIES ILLUSTRATED PARTS CATALOG

PART NUMBER INDEX

Part Number	Figure	Item	Part Number	Figure	Item
AN911-1D	11-13	190	AN931-6-10	11-17	60
AN911-4D	3-24	360	AN931-8-13	3-22	330
AN911-4D	11-12	120	AN931-8-13	6-9	90
AN914-1D	3-23	610	AN931-8-13	7-8	340
AN916-516L	8-6A	180	AN932-D3	3-26	170
AN917-10	11-8	455	AN935-10	3-1	80
AN917-1D	11-7	970	AN935-10	3-20	585
AN917-1D	11-9	365	AN935-10	3-20A	585
AN917-1D	11-13	–	AN935-10	3-20B	585
AN917-4D	11-12	50	AN935-10	6-13	–
AN919-1	3-22	500	AN935-10	8-9	–
AN919-1S	3-23	520	AN935-10	8-10	–
AN919-1S	11-10	40	AN935-10L	3-25	60
AN924-4	11-15	25	AN935-10L	7-5	660
AN924-4	3-24	190	AN935-4	8-9	80
AN924-4	11-14	20	AN935-4	8-10	80
AN924-4D	3-2	140	AN935-416	5-6	230
AN924-4D	11-10	90	AN935-6	3-16	100
AN924-4D	11-11	130	AN935-6	3-20	360
AN924-4W	11-11	130	AN935-6	3-20A	360
AN924-6D	3-2	210	AN935-6	3-20B	360
AN931-10-14	7-8	330	AN935-6	11-5	–
AN931-12-17	7-8	290	AN935-6	11-6	90
AN931-12-20	3-23	490	AN935-6	11-20	70
AN931-2-9	3-22	490	AN935-6	7-1	–
AN931-2-9	3-23	510	AN935-8	10-2	–
AN931-3-10	6-4	290	AN935-8	10-3	–
AN931-3-9	3-4	60	AN935-8	10-4	190
AN931-4-16	3-24	510	AN935-8	11-18	55
AN931-4-7	6-10	70	AN935-8	12-4	110
AN931-4-7	6-11	180	AN935-8	3-2	240
AN931-4-7	6-7	220	AN935-8	3-20	590
AN931-4-7	6-7	70	AN935-8	3-20A	590
AN931-4-7	11-16	90	AN935-8	3-20B	590
AN931-4-7	11-17	80	AN935-8	3-22	120
AN931-5-12	3-2	170	AN935-8	3-23	100
AN931-5-9	3-10	50	AN935-8	3-24	150
AN931-5-9	3-2	170	AN935-8	3-4	300
AN931-6-10	3-15	140	AN935-8	3-5	70
AN931-6-10	6-14	50	AN935-8	3-6	110

ENSTROM F-28/280 SERIES ILLUSTRATED PARTS CATALOG

PART NUMBER INDEX

Part Number	Figure	Item	Part Number	Figure	Item
AN935-8	3-7	70	AN960-10	3-20	510
AN935-8	3-9	110	AN960-10	3-20A	510
AN935-8	5-1	350	AN960-10	3-20B	510
AN935-8	6-1	–	AN960-10	3-21	30
AN935-8	6-1	–	AN960-10	3-21	40
AN935-8	6-1	–	AN960-10	3-23	30
AN935-8	6-1	–	AN960-10	3-28	–
AN935-8	6-13	–	AN960-10	3-6	160
AN935-8	11-13	130	AN960-10	3-7	130
AN935-8	11-14	130	AN960-10	4-2	–
AN935-8	11-16	70	AN960-10	4-2	430
AN935-8	11-17	170	AN960-10	4-2.1	140
AN935-8L	7-1	660	AN960-10	5-1	450
AN935-8L	7-2	120	AN960-10	5-3	210
AN935-BBL	11-8	510	AN960-10	6-13	–
AN936A10	3-20	410	AN960-10	6-13	–
AN936A10	3-20A	410	AN960-10	6-13	193
AN936A10	3-20B	410	AN960-10	7-3	100
AN936A1216	3-15	90	AN960-10	7-4	160
AN936A1216	3-24	450	AN960-10	7-5	580
AN936A516	3-24	70	AN960-10	7-9	130
AN936A516	3-24	70	AN960-10	7-15	110
AN936A516	3-3	300	AN960-10	7-17	170
AN936A516	6-13	–	AN960-10	7-20	150
AN936-A6	3-17	70	AN960-10	8-9	30
AN936-A6	6-6	270	AN960-10	8-10	30
AN936A716	3-14	100	AN960-10	8-15	110
AN936A716	3-15	110	AN960-10L	12-1	230
AN936A8	9-3	300	AN960-10L	12-13	–
AN936A8	9-4	260	AN960-10L	12-7	200
AN960-10	10-3	–	AN960-10L	12-8	270
AN960-10	11-18	15	AN960-10L	3-1	70
AN960-10	12-10	290	AN960-10L	3-10	150
AN960-10	12-11	320	AN960-10L	3-10	180
AN960-10	12-12	220	AN960-10L	3-12	40
AN960-10	12-13	240	AN960-10L	3-13	50
AN960-10	12-4	270	AN960-10L	3-14	20
AN960-10	3-11	400	AN960-10L	3-15	20
AN960-10	3-11	90	AN960-10L	3-20	460
AN960-10	3-12	30	AN960-10L	3-20A	460

ENSTROM F-28/280 SERIES ILLUSTRATED PARTS CATALOG

PART NUMBER INDEX

Part Number	Figure	Item	Part Number	Figure	Item
AN960-10L	3-20B	460	AN960-10L	8-3A	270
AN960-10L	3-21	30	AN960-10L	8-5	250
AN960-10L	3-21	40	AN960-10L	8-5A	150
AN960-10L	3-22	30	AN960-10L	8-6	50
AN960-10L	3-23	570	AN960-10L	8-6A	140
AN960-10L	3-24	540	AN960-10L	8-7	60
AN960-10L	3-25	70	AN960-1216	3-24	440
AN960-10L	3-28	310	AN960-1216L	3-10	110
AN960-10L	3-3	–	AN960-1216L	3-15	120
AN960-10L	3-6	260	AN960-3	3-20	–
AN960-10L	3-7	160	AN960-3	3-20A	–
AN960-10L	3-7	260	AN960-3	3-20B	–
AN960-10L	4-2.1	150	AN960-3L	6-7	150
AN960-10L	5-1	130	AN960-4	7-1	800
AN960-10L	5-2	60	AN960-416	10-1	–
AN960-10L	5-3	200	AN960-416	12-6	60
AN960-10L	5-3	440	AN960-416	12-6	70
AN960-10L	5-5	260	AN960-416	3-11	350
AN960-10L	6-13	–	AN960-416	3-22	280
AN960-10L	6-13	–	AN960-416	3-23	300
AN960-10L	6-13	187	AN960-416	4-4	160
AN960-10L	6-13	194	AN960-416	5-1	280
AN960-10L	6-13	40	AN960-416	5-3	160
AN960-10L	6-13	60	AN960-416	5-3	390
AN960-10L	6-14	120	AN960-416	5-4	400
AN960-10L	6-2	–	AN960-416	5-5	330
AN960-10L	6-3	30	AN960-416	5-6	240
AN960-10L	7-3	60	AN960-416	8-20	60
AN960-10L	7-5	430	AN960-416	8-3	80
AN960-10L	7-5	880	AN960-416	8-4	290
AN960-10L	7-9	100	AN960-416	8-5	380
AN960-10L	7-15	60	AN960-416	8-8	150
AN960-10L	7-16	160	AN960-416	7-5	900
AN960-10L	7-17	150	AN960-416	7-13	20
AN960-10L	8-12	170	AN960-416	12-9	130
AN960-10L	8-12	90	AN960-416	12-10	220
AN960-10L	8-13	60	AN960-416L	10-2	–
AN960-10L	8-14	120	AN960-416L	10-3	6
AN960-10L	8-18	20	AN960-416L	10-4	160
AN960-10L	8-19	30	AN960-416L	3-1	140

ENSTROM F-28/280 SERIES ILLUSTRATED PARTS CATALOG

PART NUMBER INDEX

Part Number	Figure	Item	Part Number	Figure	Item
AN960-416L	3-11	360	AN960-516	3-3	30
AN960-416L	3-2	300	AN960-516	4-1	60
AN960-416L	3-20	390	AN960-516	4-2	360
AN960-416L	3-20	540	AN960-516	5-1	420
AN960-416L	3-20A	390	AN960-516	5-2	90
AN960-416L	3-20A	540	AN960-516	5-4	220
AN960-416L	3-20B	390	AN960-516	7-13	70
AN960-416L	3-20B	540	AN960-516	7-17	–
AN960-416L	3-22	170	AN960-516	7-19	60
AN960-416L	3-22	170	AN960-516	8-20	190
AN960-416L	3-23	170	AN960-516	8-3	30
AN960-416L	3-29	120	AN960-516	8-4	170
AN960-416L	3-3	100	AN960-516	8-5	440
AN960-416L	3-4	50	AN960-516	8-6A	170
AN960-416L	5-1	20	AN960-516L	12-7	50
AN960-416L	5-5	110	AN960-516L	12-8	220
AN960-416L	6-13	–	AN960-516L	3-29	130
AN960-416L	8-11	140	AN960-516L	4-2	360
AN960-416L	8-12	120	AN960-516L	5-1	410
AN960-416L	8-18	170	AN960-516L	6-13	–
AN960-416L	8-2	50	AN960-516L	7-20	80
AN960-416L	8-4	240	AN960-516L	7-20	–
AN960-416L	12-13	260	AN960-516L	7-21	20
AN960-416L	8-8	40	AN960-516L	8-15	70
AN960-416L	7-13	40	AN960-516L	8-20	200
AN960-416L	7-15	180	AN960-516L	8-4	210
AN960-416L	7-16	210	AN960-516L	8-5	450
AN960-416L	7-17	240	AN960-516L	8-5A	100
AN960-416L	7-19	90	AN960-6	3-20	350
AN960-416L	7-20	110	AN960-6	3-20A	350
AN960-416L	7-22	80	AN960-6	3-20B	350
AN960-4L	10-3	–	AN960-6	6-6	180
AN960-4L	10-4	320	AN960-6	7-21	270
AN960-4L	8-9	70	AN960-616	5-6	270
AN960-4L	8-10	70	AN960-616	7-19	30
AN960-4L	7-2	160	AN960-616L	3-10	110
AN960-516	12-7	–55	AN960-616L	5-4	370
AN960-516	12-8	–230	AN960-616L	8-1	110
AN960-516	3-23	470	AN960-6L	3-16	90
AN960-516	3-23	470	AN960-6L	3-17	100

ENSTROM F-28/280 SERIES ILLUSTRATED PARTS CATALOG

PART NUMBER INDEX

Part Number	Figure	Item	Part Number	Figure	Item
AN960-6L	3-17	120	AN960-8	6-11	170
AN960-6L	3-17	40	AN960-8	6-11	220
AN960-6L	6-14	30	AN960-8	6-13	–
AN960-6L	6-4	–	AN960-8	6-7	120
AN960-6L	6-4	–	AN960-8	6-7	200
AN960-6L	6-4	–	AN960-8	11-11	190
AN960-6L	6-4	–	AN960-8	7-1	160
AN960-6L	6-4	–	AN960-8	7-8	120
AN960-6L	6-4	–	AN960-8	12-9	220
AN960-6L	6-6	220	AN960-816	4-3	140
AN960-6L	9-2	40	AN960-816	5-4	160
AN960-6L	9-3	100	AN960-816L	3-24	200
AN960-6L	9-4	200	AN960-8L	10-2	–
AN960-6L	9-4	90	AN960-8L	10-2	–
AN960-6L	11-5	–	AN960-8L	10-3	–
AN960-6L	11-6	100	AN960-8L	10-3	–
AN960-6L	7-1	–	AN960-8L	10-3	–
AN960-6L	7-8	140	AN960-8L	10-3	–
AN960-6L	7-9	60	AN960-8L	10-3	–
AN960-716	3-2	150	AN960-8L	10-4	200
AN960-716	3-30	70	AN960-8L	10-4	260
AN960-716	11-10	80	AN960-8L	10-4	400
AN960-716	11-11	120	AN960-8L	10-4	80
AN960-716	12-13	340	AN960-8L	11-19	227
AN960-716	12-9	20	AN960-8L	3-10	90
AN960-716	12-11	20	AN960-8L	3-17	150
AN960-716	12-12	310	AN960-8L	3-19	150
AN960-716L	3-10	120	AN960-8L	3-2	180
AN960-716L	3-14	110	AN960-8L	3-20	440
AN960-716L	3-15	130	AN960-8L	3-20	580
AN960-716L	3-30	80	AN960-8L	3-20A	440
AN960-716L	8-1	100	AN960-8L	3-20A	580
AN960-8	10-1	–	AN960-8L	3-20B	440
AN960-8	11-18	45	AN960-8L	3-20B	580
AN960-8	12-4	100	AN960-8L	3-22	110
AN960-8	12-4	320	AN960-8L	3-23	90
AN960-8	3-1	170	AN960-8L	3-24	160
AN960-8	3-7	260	AN960-8L	3-4	290
AN960-8	3-7	290	AN960-8L	3-5	60
AN960-8	6-1	–	AN960-8L	3-6	100

ENSTROM F-28/280 SERIES ILLUSTRATED PARTS CATALOG

PART NUMBER INDEX

Part Number	Figure	Item	Part Number	Figure	Item
AN960-8L	3-7	60	AN960-916	3-2	220
AN960-8L	3-9	100	AN960C10	3-29	110
AN960-8L	4-1	310	AN960-C10	5-6	–
AN960-8L	5-1	360	AN960C10L	11-11	80
AN960-8L	6-1	–	AN960-C10L	12-3	80
AN960-8L	6-1	–	AN960-C10L	7-1	–
AN960-8L	6-1	–	AN960C1216	4-2	260
AN960-8L	6-4	–	AN960C1216	5-3	470
AN960-8L	6-5	–	AN960C1216	8-11	270
AN960-8L	6-5	–	AN960-C1216	7-20	570
AN960-8L	6-5	31	AN960-C416	7-1	–
AN960-8L	6-6	330	AN960C416L	12-2	100
AN960-8L	6-7	100	AN960C416L	12-2	100A
AN960-8L	9-1	7	AN960C516	3-29	140
AN960-8L	9-2	13	AN960-C516	7-1	140
AN960-8L	9-3	280	AN960C516L	6-13	–
AN960-8L	9-3	350	AN960-C516L	6-13	196
AN960-8L	9-3	400	AN960C616L	3-8	170
AN960-8L	9-4	250	AN960C816	5-3	120
AN960-8L	8-6	110	AN960D10L	3-26	210
AN960-8L	8-6A	50	AN960D10L	8-2	20
AN960-8L	11-13	120	AN960D10L	7-16	50
AN960-8L	11-14	120	AN960D516	4-1	30
AN960-8L	11-16	130	AN960D516	8-4	220
AN960-8L	11-17	160	AN960D616	4-2	310
AN960-8L	7-1	70	AN960D8	4-1	160
AN960-8L	7-1	–	AN960D8	4-2	230
AN960-8L	7-1	–	AN960D8	4-2	40
AN960-8L	7-1	650	AN960PD10	7-9	340
AN960-8L	7-1	–	AN960PD10L	7-17	100
AN960-8L	7-2	110	AN960PD416	11-20	140
AN960-8L	7-4	190	AN960PD416	7-17	210
AN960-8L	7-5	190	AN960PD6L	11-20	60
AN960-8L	7-5	340	AN960PD6L	7-11	430
AN960-8L	7-8	40	AN962-C516L	6-13	196
AN960-8L	7-9	310	AN970-3	6-13	95
AN960-8L	7-11	460	AN975-3	12-2	70
AN960-8L	7-15	330	ANL80	6-13	190
AN960-8L	7-16	80	AP18AU06-02	3-6	10
AN960-8L	7-17	130	AP22-6	4-3	110

ENSTROM F-28/280 SERIES ILLUSTRATED PARTS CATALOG

PART NUMBER INDEX

Part Number	Figure	Item	Part Number	Figure	Item
AR134-D	7-1	320	CA151PL	3-1	30
AS3494-01	3-8	120	CA-3251	7-1	350
AS3578-152	5-4	50	CAV-110H-U	3-23	620
ASMK8T	5-3	520	CAV-110R	3-23	310
AWG-22-8503-10	11-8	490	CAV-110R	3-23	620
AWG-22-8503-2	11-8	495	CAV-110RV	3-23	620
AX142P	11-20	90	CB35M	6-10	10
B-00264-3	6-2	50A	CB6009CR08-1P	7-6	250
B-00375-4	6-14	-	CBA-2376	12-13	170
B-00378-5	11-8	400	CBA-2382	12-13	180
B-00378-5	11-9	310	CBLS18C	6-11	300
B-00378-5	6-14	-	CBR1.5I-M	11-17	200
B-00378-5	11-7	870	CBR1M-M	11-17	190
B-1210	12-13	50	CBR2M-M	11-17	190
B44-28-2	11-18	130	CBR3I-M	11-17	200
B-44-28-2	12-4	150	CBR3S-M	11-16	150
B46-2 1/2	8-9	230	CBR3S-M	11-17	210
B46-2 1/2	8-10	230	CC-3251	7-4	10
B-4855B-330	11-3	340	CC-3251	7-5	830
B-4855B-330	11-4	330	CCA-1600	3-6	130
B-4855B-330	11-5	-	CCH25-S10	11-16	40
B-4855B-330	11-6	40	CCH25-S10	11-17	70
B-710	11-18	125	CCR264SS-3-03	5-3	-
B-710	12-4	160	CCR264-SS3-3	6-8	-
BA-15	3-1	-	CCR264-SS3-3	6-8	-
BA-15	3-2	-	CCR274SS-3-02	10-4	310
BLDS4-13W/LT	7-20	540	CCR274SS-3-02	11-21	180
BPF-1/2	7-17	190	CCR274SS-3-04	7-20	410
C-2400L4VT-AB	11-1	-	CD7	12-1	-110
C2400L4VWAB-RG	11-5	260A	CD7L	5-6	138
C-2400L4VW-AB-RG	11-2	-	CF600391-00	3-3	-
C-2400L4VW-AB-RG	11-3	-	CGP-2	3-23	640
C-2400L4VW-AB-RG	11-4	270	CGP-2	7-10	78
C352TS	9-2	33A	CL30914-2	5-4	-
C352TS	9-3	380	CM1816	6-5	20
C6052-8Z-1	3-27	-	CP25WB+	11-19	215
C6191-8Z-1	6-12	40	CR 17240	4-2.1	20
C-6352-10Z	3-28	-	CR163-4-4	10-3	13
C6352-10Z-1	3-28	-	CR163-4-4	10-4	310
C-836-06	6-12	120	CR-163-4-6	7-1	790

ENSTROM F-28/280 SERIES ILLUSTRATED PARTS CATALOG

PART NUMBER INDEX

Part Number	Figure	Item	Part Number	Figure	Item
CR3212-4-4	7-4	220	ECD030-11	8-3A	390
CR3213-4-2	6-13	110	ECD030-11	12-5	–
CR3213-4-2	7-4	130	ECD030-11	12-5	630
CR3213-4-4	7-4	260	ECD034-11	8-9	280
CR3213-5-04	6-11	–	ECD034-11	8-10	280
CR91484-4-03	7-5	50	ECD035-11	12-10	40
CR91484-4-04	7-5	–60	ECD036-11	5-3	300
CR91484-4-05	7-5	–70	ECD037-11	811	250
CR91484-4-3	7-5	50	ECD050-11	12-6	20
CR91484-4-4	7-2	150	ECD050-11	12-6	90
CR91484-4-4	7-5	–60	ECD050-11	12-7	140
CR91484-4-5	7-5	–70	ECD050-11	3-3	60
CS-N-346	6-12	110	ECD050-11	5-1	110
D1250	7-21	190	ECD050-11	5-1	480
D6-167	6-6	300	ECD050-11	7-6	40
D6-167	11-20	30	ECD050-11	8-11	160
D6810A-12	6-4	110	ECD050-11	8-20	30
D6SE-167GY	11-20	30	ECD050-11	8-3	110
D-7080A-12	6-4	140	ECD050-11	8-3A	320
DG-167	11-16	50	ECD050-11	8-5	350
DU-08	8-12	50	ECD050-11	9-5	25
EC-801-807	7-5	–	ECD050-11	12-13	290
ECD001-11	12-13	140	ECD050-11	8-8	120
ECD001-11	12-12	130	ECD050-11	7-1	250
ECD002-11	12-13	160	ECD050-11	12-5	380
ECD002-11	12-12	150	ECD050-11	12-10	170
ECD002-13	12-13	160	ECD050-11	12-11	220
ECD002-13	12-11	270	ECD050-11	12-12	260
ECD009-11	8-1	30	ECD050-15	8-11	270
ECD013-11	8-3A	100	ECD050-17	12-13	290
ECD013-13	8-3A	–	ECD050-19	8-4	150
ECD014-11	5-4	260	ECD050-23	11-19	125
ECD014-13	5-4	260	ECD050-25	8-11	20
ECD015-11	12-3	20	ECD060-11	7-6	-175
ECD016-11	12-7	90	ECD060-12	7-6	-185
ECD016-11	12-8	70	ECD060-13	7-5	–
ECD016-11	12-5	–	ECD060-5	7-5	680
ECD018-11	5-3	40	ECD066-1	11-18	115
ECD020-11	5-4	90	ECD066-1	12-4	180
ECD020-13	5-4	90	ECD066-1	8-9	170

ENSTROM F-28/280 SERIES ILLUSTRATED PARTS CATALOG

PART NUMBER INDEX

Part Number	Figure	Item	Part Number	Figure	Item
ECD066-1	8-10	170	ECD071-15	11-7	240
ECD069-11	6-1	90	ECD071-3	11-1	200
ECD069-11	6-2	10	ECD071-3	11-2	90
ECD069-11	6-2	10A	ECD071-3	11-3	–
ECD069-11	6-2	50A	ECD071-3	11-3	90
ECD069-13	6-2	10B	ECD071-3	11-4	90
ECD071-103	11-8	123	ECD071-3	11-5	100
ECD071-103	11-9	47	ECD071-4	11-1	220
ECD071-103	11-6	240	ECD071-4	11-2	110
ECD071-103	11-7	250	ECD071-4	11-3	–
ECD071-104	11-8	124	ECD071-4	11-3	110
ECD071-104	11-9	48	ECD071-4	11-4	110
ECD071-104	11-6	250	ECD071-4	11-5	110
ECD071-104	11-7	260	ECD071-5	11-1	240
ECD071-105	11-8	125	ECD071-5	11-2	130
ECD071-105	11-9	49	ECD071-5	11-3	–
ECD071-105	11-6	260	ECD071-5	11-3	130
ECD071-105	11-7	270	ECD071-5	11-4	130
ECD071-106	11-8	126	ECD071-5	11-5	120
ECD071-106	11-9	50	ECD071-6	11-1	210
ECD071-106	11-6	270	ECD071-6	11-2	100
ECD071-106	11-7	280	ECD071-6	11-3	–
ECD071-107	11-8	127	ECD071-6	11-3	100
ECD071-107	11-9	51	ECD071-6	11-4	100
ECD071-107	11-6	280	ECD071-6	11-5	130
ECD071-107	11-7	290	ECD071-7	11-1	230
ECD071-108	11-8	128	ECD071-7	11-2	120
ECD071-108	11-9	52	ECD071-7	11-3	–
ECD071-108	11-6	290	ECD071-7	11-3	120
ECD071-108	11-7	300	ECD071-7	11-4	120
ECD071-11	11-1	190	ECD071-7	11-5	140
ECD071-11	11-2	80	ECD071-8	11-1	250
ECD071-11	11-3	–	ECD071-8	11-2	140
ECD071-11	11-3	80	ECD071-8	11-3	–
ECD071-11	11-4	80	ECD071-8	11-3	140
ECD071-11	11-5	90	ECD071-8	11-4	140
ECD071-11	11-6	230	ECD071-8	11-5	150
ECD071-15	11-8	122	ECD072-11	11-8	170
ECD071-15	11-9	46	ECD072-11	11-9	80
ECD071-15	11-6	230	ECD072-11	11-3	–

ENSTROM F-28/280 SERIES ILLUSTRATED PARTS CATALOG

PART NUMBER INDEX

Part Number	Figure	Item	Part Number	Figure	Item
ECD072-11	11-5	70	ECD093-11	3-24	440
ECD072-11	11-6	350	ECD108-1	11-18	60
ECD072-11	11-7	390	ECD108-3	11-18	65
ECD073-1	6-11	90	ECD108-3	12-4	20
ECD073-3	6-11	90A	ECD110-11	3-8	190
ECD075-11	6-1	30	ECD111-11	3-3	260
ECD075-11	6-2	20	ECD112-1	11-9	100
ECD075-11	6-2	20A	ECD112-3	11-9	170
ECD075-11	6-2	20A	ECD112-5	11-9	-172
ECD075-13	6-2	20A	ECD4060-21	8-16	50
ECD075-13	6-2	20A	ECD4060-21	8-17	50
ECD076-11	11-2	40	ECD4079-1	6-11	41
ECD076-11	11-3	40	ECD4089-11	9-4	140
ECD077-11	11-8	165	ECD4089-13	9-1	-
ECD077-11	11-9	70	ECD4089-15	9-4	150
ECD077-11	11-3	-	ECD4089-17	9-1	-
ECD077-11	11-5	80	EGP3C6TL6	8-12	140
ECD077-11	11-6	310	EGT-701-4C-A-T	11-8	-
ECD077-11	11-7	380	EGT-701-4C-A-T	11-19	5
ECD078-11	11-8	465	EL-037360-107	3-28	10
ECD078-11	11-9	375	EL-037360-110	3-28	70
ECD078-11	11-3	-	EL-037360-111	3-28	70
ECD078-11	11-5	-	EL-037360-112	3-28	120
ECD078-11	11-7	990	EL-037360-113	3-28	60
ECD078-11	11-12	-140A	EL-037360-116	3-28	130
ECD079-11	11-3	-	EL-037360-123	3-28	130
ECD079-11	11-12	140	EL-037360-124	3-28	70
ECD083-1	7-20	460	EL-037360-202	3-28	20
ECD085-1	7-20	-	EL-037360-206	3-28	80
ECD085-13	7-20	-	EL-037360-401	3-28	30
ECD085-3	7-20	180	EL-037360-401	3-28	90
ECD088-11	3-25	10	EL-099005-401	3-27	50
ECD088-13	3-25	10	EL-099005-401	3-28	30
ECD088-15	3-25	10	EL-099005-401	3-28	90
ECD089-3	11-8	45	ENS1001	3-3	270
ECD089-3	11-9	25	ENX-0001	3-28	130
ECD089-3	11-7	70	ENX-0001	3-3	-
ECD091-1	4-4	200	F12-NE-4527-02	3-14	50
ECD091-1	5-3	520	F12NE4717-048	8-2	60
ECD092-1	4-1	210	F12NE4717-070	8-1	120

ENSTROM F-28/280 SERIES ILLUSTRATED PARTS CATALOG

PART NUMBER INDEX

Part Number	Figure	Item	Part Number	Figure	Item
F12NE4753-02	3-28	350	G08DU	3-10	310
F12NE-4753-02	12-7	220	G08DU	3-10	310
F12-NE-4753-02	3-10	240	G08DU	3-13	30
F12-NE-4753-02	3-11	410	G08DU	8-14	70
F12-NE-4753-02	3-13	100	G199-105-4	3-22	240
F12-NE-4753-02	3-14	50	G199-105-4	3-23	250
F12-NE-4753-02	3-15	50	G2-0032	8-5	-180I
F12NE4753-048	12-6	110	G-243	6-13	80
F12NE-4753-048	12-7	150	G-38517-B-7-A	8-5	180
F12NE-4753-048	5-1	290	G-89	3-16	-
F12NE-4753-048	5-3	400	G-89	3-16	-
F12NE-4753-048	8-20	70	G-89	3-16	-
F12NE-4753-048	8-3	90	G-89	3-20	-
F12NE-4753-048	8-3A	360	G-89	3-20	-
F12NE-4753-048	8-4	270	G-89	3-20	-
F12NE-4753-048	8-5	410	G-89	3-20	-
F12-NE-4753-048	3-11	310	G-89	3-20A	-
F12-NE-4753-048	12-10	200	G-89	3-20A	-
F12NE-4753-054	8-6A	190	G-89	3-20B	-
F12NE-4753-054	12-7	60	G-89	3-20B	-
F12NE-4753-054	12-8	240	G-89	3-20B	-
F12NE-4753-054	5-1	440	G-89	3-20B	-
F12NE-4753-054	5-2	100	GA4-250	3-2	112
F12NE-4753-054	8-20	210	GA4-250	3-20	-
F12NE-4753-054	8-3	40	GA4-250	3-20A	-
F12NE-4753-054	8-4	180	GA4-250	3-20A	-
F12NE-4753-054	8-5	460	GA4-250	3-20B	-
F12NE-4753-054	8-5A	120	GA4-250	3-20B	-
F12NE-4753-064	8-5A	70	GA4-250	3-20B	-
F12NE-4753-080	4-3	160	GA4-250	3-20B	-
F6YN-625BK	11-20	20	GA4-250	7-1	540
F965	5-6	190	GA4-250	7-10	-
FB68-4	5-1	390	GA4-250	7-10	-
FIT-221V-1/8	11-22	10	GA4-250	7-9	170
FIT-221V-1/8	8-16	-	GB-910	8-4	70
FIT-221V-1/8	8-17	-	GE4313 (250W)	6-4	210
FIT-221V-3/32	11-8	-	GEE62FR-C	11-19	-
FIT-221V-3/32	11-19	170	GEM 610	11-17	10
FN22M-624	4-3	120	GH2 1/2	9-2	33A
FN22M-624	5-6	280	GS-3	3-23	640

ENSTROM F-28/280 SERIES ILLUSTRATED PARTS CATALOG

PART NUMBER INDEX

Part Number	Figure	Item	Part Number	Figure	Item
GS-3	7-11	410	HMVV-5M	8-6A	110
GX-5	8-9	210	HPF1260-6-58	4-3	90
GX-5	8-10	210	HR, DF-14R	6-6	90
H-103	6-6	70	J-10386-2	3-30	–
H1-400-14	11-5	260	J-2214-4	3-30	60
H1637Z3	12-3	50	J-2216-18	3-30	10
H1637Z3	4-1	330	J-2218-61	3-30	20
H1637Z3	8-1	70	J-2309-7	3-30	50
H1637Z3	8-3A	180	J3459-8	8-9	140
H1641Z3	12-9	–	J3459-8	8-10	140
H1641Z3	4-1	260	J-7763-26	3-30	30
H1641Z3	4-2	160	J-7766-2	3-30	40
H1641Z3	5-4	320	J-D4N-300M	6-14	90
H1641Z3	8-4	90	JE-1	5-1	320
H1911Z3	11-18	70	K3N	3-28	250
H1911Z3	4-1	320	K3N	3-28	250
H1911Z3	5-4	320	K3N	3-28	250
H1911Z3	8-1	70	K3N	3-28	250
H1911Z3	8-3A	180	K9000S-1A	3-22	300
H2532-13	7-5	670	K-9000S-1A	3-24	340
H2532-15	7-5	–	K94RA	12-1	110A
H2532-16	7-5	–	KLIK-1185	7-20	540
HDUH	8-10	190	KN500B1/8	11-8	160
HFVV3M	3-14	30	KN500B1/8	11-9	125
HFVV3M	3-15	30	KN500B1/8	11-5	30
HFVV3M	3-28	290	KN500B1/8	11-7	360
HFVV3M	3-28	290	KN500B1/8	11-1	420
HFVV3M	3-28	290	KN500B1/8	11-2	320
HFVV3M	3-28	290	KN500B1/8	11-3	320
HFVV-3M	3-10	260	KN500B1/8	11-4	–
HHJ-A	11-17	40	KN500B1/8	11-6	340
HLUH	8-9	190	KP-16B	12-9	190
HMLVV-5	8-20	140	KP4A	3-11	230
HMLVV5M	12-5	180	KP4A	3-11	340
HMLVV-5M	8-5	270	KRP8A-C	12-10	130
HMVV5	8-20	150	KRP8A-H	12-9	70
HMVV-5	8-3	60	KRP8A-H	12-10	130
HMVV5M	12-5	300	KUP-14D55-24	6-14	10
HMVV-5M	8-3	60	KUP-14D55-472	6-14	10
HMVV-5M	8-5	280	L-141C	11-5	330

ENSTROM F-28/280 SERIES ILLUSTRATED PARTS CATALOG

PART NUMBER INDEX

Part Number	Figure	Item	Part Number	Figure	Item
L-18X	4-2	60	MP-160-012-70	11-4	200
LDF-5-157	8-20	230	MP-160-012-70	11-5	210
LDF-6-228	8-5	570	MP-160-012-70	11-6	390
LE-026B-00MW	7-5	690	MR-18	12-10	–
LED-40-1J-HG2-SBMMD	11-9	10	MR-18	12-11	300
LED-40-1J-HG2-SBMMF	11-9	5	MRB-2400	9-2	42
LHSSE-5	8-3A	250	MS15001-1	4-1	260
LW-12878-4S260	3-23	480	MS16555-27	4-2.1	30
LW-13464	3-3	240	MS16555-618	12-12	50
LW-13476	3-3	190	MS16562-211	8-9	210
LW-13646	3-3	–	MS16562-211	8-10	210
LW-13807	3-3	310	MS16562-213	5-5	70
LW-13807	3-5	90	MS16562-213	8-9	240
LW-14485	3-3	230	MS16562-213	8-10	240
LW-14485	3-28	141	MS16562-213	8-21	20
LW-18959-175-34	11-19	65	MS16562-215	4-3	70
LW-18959-175-34	11-17	–	MS16633-4012	7-6	300
LWB-22-6-58	4-3	90	MS16998-10L	6-11	–
M-111	11-19	105	MS16998-44	7-17	180
M-111T	11-19	150	MS17825-3	12-7	220
M12883/41-14	6-14	100	MS17825-3	3-10	240
M144E	5-6	50	MS17825-3	3-11	410
M21919-DG3	7-1	200	MS17825-3	3-13	100
M-5050T	11-19	40	MS17825-3	3-15	50
M81934/1-08C012	8-3A	430	MS17825-3	12-5	250
M81935/1-08K	5-3	520	MS17825-4	12-6	110
M83248/1-008	12-1	120	MS17825-4	12-7	150
M83248/1-152	5-4	50	MS17825-4	3-11	310
M83248-2-010	3-26	30	MS17825-4	5-1	290
M83536/10-015M	6-14	90	MS17825-4	5-3	400
M83536/10-024M	6-14	90	MS17825-4	8-20	70
MC1-106-140	11-16	20	MS17825-4	8-3	90
MC1-A106B	11-16	30	MS17825-4	8-3A	360
MIL-DTL-5593	11-8	–	MS17825-4	8-4	270
MM-113-3/8	11-19	140	MS17825-4	8-5	410
MP-100-012-70	11-1	310	MS17825-4	12-5	400
MP-160-012-100	11-6	–390A	MS17825-4	12-10	200
MP-160-012-70	11-1	40	MS17825-5	12-7	60
MP-160-012-70	11-2	200	MS17825-5	12-8	240
MP-160-012-70	11-3	200	MS17825-5	5-1	440

ENSTROM F-28/280 SERIES ILLUSTRATED PARTS CATALOG

PART NUMBER INDEX

Part Number	Figure	Item	Part Number	Figure	Item
MS17825-5	5-2	100	MS20364-1032	8-6	60
MS17825-5	8-20	210	MS20364-1032	8-7	70
MS17825-5	8-3	40	MS20364-428	8-12	130
MS17825-5	8-4	180	MS20364-428	8-18	180
MS17825-5	8-5	460	MS20364-428	8-8	60
MS17825-5	8-5A	120	MS20365-1032	8-18	220
MS17825-5	8-6A	190	MS20365-425	7-22	90
MS17825-6	8-5A	70	MS20365-832	7-1	80
MS17826-4	8-2	60	MS20365-832	7-1	-
MS17826-5	12-5	230	MS20365-832	7-1	-
MS17984C305	7-6	-75	MS20365-832	7-1	670
MS18063-8	7-4	660	MS20365-832	7-4	150
MS18066-14	8-1	90	MS20392-2C11	3-28	300
MS18066-8	7-6	270	MS20392-2C17	7-6	60
MS20002-C6	7-13	110	MS20392-3C25	12-5	120
MS20002-C6	12-11	80	MS20426A3-3	7-18	-
MS20006H12	7-13	120	MS20426A3-3	7-18	-
MS20006H14	7-13	100	MS20426A3-3	7-18	-
MS20073-05-A12	8-4	260	MS20426A3-3	7-18	-
MS20073-05-A6	8-4	250	MS20426A3-3.5	3-20	-
MS20074-03-04	5-3	430	MS20426A3-3.5	3-20A	-
MS20074-03-04	8-2	10	MS20426A3-3.5	3-20B	-
MS20074-05-05	3-29	70	MS20426A3-4	3-19	-
MS20074-05-06	4-2	340	MS20426A3-4	3-20	-
MS20074-05-12	4-2	350	MS20426A3-4	3-20	-
MS20074-304	8-2	10	MS20426A3-4	3-20	-
MS201044N3	3-6	170	MS20426A3-4	3-20A	-
MS20253-1	7-8	220	MS20426A3-4	3-20A	-
MS20253-2	7-1	430	MS20426A3-4	3-20B	-
MS20253-2	7-1	570	MS20426A3-4	3-20B	-
MS20253-P2-7200	7-4	-	MS20426A3-4	3-20B	-
MS20257-1	7-8	210	MS20426A3-4	3-20B	-
MS20257-4	7-1	560	MS20426A3-4	3-20B	-
MS20257-P4	7-1	420	MS20426A3-4	3-20B	-
MS20364-1032	8-12	100	MS20426A3-4	9-3	-
MS20364-1032	8-12	180	MS20426A3-4	9-3	-
MS20364-1032	8-13	70	MS20426A3-4	9-4	-
MS20364-1032	8-18	30	MS20426A3-4	9-4	-
MS20364-1032	8-5	260	MS20426A3-4	7-10	400
MS20364-1032	8-5A	160	MS20426A3-4	7-18	-

ENSTROM F-28/280 SERIES ILLUSTRATED PARTS CATALOG

PART NUMBER INDEX

Part Number	Figure	Item	Part Number	Figure	Item
MS20470AD3-4	4-2	-	MS20819-4D	11-15	-
MS20470AD3-4	6-7	140	MS20819-4D	11-15	-
MS20470AD3-4	7-10	470	MS20819-4D	3-24	-
MS20470AD3-4	7-9	40	MS20822-2	11-10	30
MS20470AD4-11	12-5	-	MS20822-4	3-23	200
MS20470AD4-11	12-5	-	MS20822-4D	3-4	220
MS20470AD4-19	12-5	-	MS20822-6-6	3-23	240
MS20470AD4-3	7-10	300	MS20822-6-6	3-8	100
MS20470AD4-3.5	7-10	510	MS20822-6D	3-26	180
MS20470AD4-4	3-20	-	MS20822-6D	5-6	90
MS20470AD4-4	3-20	-	MS20823	3-22	420
MS20470AD4-4	3-20A	-	MS20823-4	3-23	420
MS20470AD4-4	3-20A	-	MS20823-4	3-4	190
MS20470AD4-4	3-20B	-	MS20823-4	11-10	120
MS20470AD4-4	3-20B	-	MS20823-4D	11-10	120
MS20470AD4-4	3-20B	-	MS20823-6	3-23	410
MS20470AD4-4	7-9	250	MS-20823-6D	3-6	20
MS20470AD4-4	7-14	250	MS20913-1	3-23	280
MS20470AD4-5	3-20	-	MS20913-1D	3-22	340
MS20470AD4-5	3-20A	-	MS20995C20	12-8	-280
MS20470AD4-5	3-20B	-	MS20995C25	11-19	165
MS20470AD4-6	7-15	220	MS20995-C25	12-5	680
MS20470AD4-6	7-16	140	MS20995C32	12-1	-250
MS20470AD4-7	7-15	210	MS20995C32	12-11	-
MS20470AD4-7	7-16	130	MS20995C32	12-12	-
MS20470AD5-7	3-21	-	MS20995C32	12-13	-
MS20500-1032	3-29	150	MS20995C32	3-23	-
MS20500-428	3-29	160	MS20995C32	3-28	-
MS20500-524	3-29	170	MS20995C32	3-3	-
MS20500-524	3-3	180	MS20995C32	3-3	-
MS20615-3M10	3-26	130	MS20995C32	3-3	-
MS20668-3	12-5	-	MS20995C32	4-4	-
MS20812-4D	3-24	350	MS20995C32	5-2	-
MS20819-2	3-23	-	MS20995C32	5-6	-
MS20819-4D	11-15	-	MS20995C32	7-21	100
MS20819-4D	11-15	-	MS20995C32	8-15	80
MS20819-4D	11-15	-	MS20995C32	8-2	80
MS20819-4D	11-15	-	MS20995-C32	12-5	490
MS20819-4D	11-15	-	MS20995-C32	3-26	-
MS20819-4D	11-15	-	MS20995C41	3-3	-

ENSTROM F-28/280 SERIES ILLUSTRATED PARTS CATALOG

PART NUMBER INDEX

Part Number	Figure	Item	Part Number	Figure	Item
MS20995-C41	12-5	480	MS21044N3	3-20B	520
MS21042-3	3-27	70	MS21044N3	3-23	580
MS21042-3	3-28	110	MS21044N3	3-6	270
MS21042-3	3-28	110	MS21044N3	3-7	140
MS21042-3	3-28	50	MS21044N3	5-3	220
MS21042-3	5-5	300	MS21044N3	6-2	–
MS21042-3	7-6	130	MS21044N3	6-2	–
MS21042-3	7-6	470	MS21044N3	7-9	110
MS21044N04	11-8	120	MS21044N3	7-9	350
MS21044N04	11-9	–	MS21044N3	7-10	610
MS21044N04	11-7	230	MS21044N3	7-15	70
MS21044N06	3-17	130	MS21044N3	7-16	60
MS21044N06	6-11	120	MS21044N3	7-17	160
MS21044N06	7-8	150	MS21044N3	7-20	160
MS21044N06	7-9	70	MS21044N3	8-15	120
MS21044N06	7-10	460	MS21044N3	9-3	410
MS21044N06	7-21	280	MS21044N3	9-5	80
MS21044N06	9-1	–	MS21044N3	9-5	125
MS21044N06	9-4	210	MS21044N4	12-2	110
MS21044N08	11-11	90	MS21044N4	5-4	410
MS21044N08	3-10	100	MS21044N4	6-2	–
MS21044N08	6-11	221	MS21044N4	7-6	90
MS21044N08	6-2	–	MS21044N4	7-5	890
MS21044N08	8-6	120	MS21044N4	7-15	190
MS21044N08	8-6A	60	MS21044N4	7-16	220
MS21044N08	7-5	380	MS21044N4	7-17	250
MS21044N08	7-8	50	MS21044N4	7-19	100
MS21044N08	7-9	320	MS21044N4	7-20	120
MS21044N08	7-10	360	MS21044N4	9-5	30
MS21044N3	11-7	630	MS21044N5	4-1	140
MS21044N3	11-8	300	MS21044N5	7-19	70
MS21044N3	11-9	225	MS21044N5	7-20	70
MS21044N3	12-2	80	MS21044N6	5-4	380
MS21044N3	12-4	–300	MS21044N6	7-20	440
MS21044N3	3-10	190	MS21045L3	3-3	–
MS21044N3	3-10	40	MS21045L5	3-3	180
MS21044N3	3-11	100	MS21059L3	3-26	–
MS21044N3	3-12	50	MS21061L08K	3-20	–
MS21044N3	3-20	520	MS21069-06	3-18	–
MS21044N3	3-20A	520	MS21069-06	3-20	–

ENSTROM F-28/280 SERIES ILLUSTRATED PARTS CATALOG

PART NUMBER INDEX

Part Number	Figure	Item	Part Number	Figure	Item
MS21069-06	3-20	-	MS21078-3	3-20B	-
MS21069-06	3-20	-	MS21078-3	3-20B	-
MS21069-06	3-20A	-	MS21078-3	3-20B	-
MS21069-06	3-20A	-	MS21080-06	3-20	-
MS21069-06	3-20A	-	MS21080-06	3-20	-
MS21069-06	3-20B	-	MS21080-06	3-20A	-
MS21069-06	3-20B	-	MS21080-06	3-20A	-
MS21069-06	3-20B	-	MS21080-06	3-20B	-
MS21069-06K	3-20	-	MS21080-06	3-20B	-
MS21069-06K	3-20	-	MS21080-08	3-19	-
MS21069-06K	3-20A	-	MS21080-08K	3-19	-
MS21069-06K	3-20A	-	MS21080-08K	7-10	290
MS21069-06K	3-20B	-	MS21080-3	3-20	-
MS21069-06K	3-20B	-	MS21080-3	3-20	-
MS21069-08	3-20	-	MS21080-3	3-20A	-
MS21069-08	3-20A	-	MS21080-3	3-20B	-
MS21069-08	3-20B	-	MS21080-3	3-20B	-
MS21071-06	3-18	-	MS21080-3	3-20B	-
MS21071-06	3-18	-	MS21083N06	11-7	160
MS21071-06	3-20	-	MS21083N06	11-8	40
MS21071-06	3-20A	-	MS21083N06	11-9	-
MS21071-06	3-20B	-	MS21083N06	11-9	-
MS21078-06	3-20	-	MS21083N06	11-9	-
MS21078-06	3-20A	-	MS21083N06	12-11	50
MS21078-06	3-20B	-	MS21083N06	12-12	300
MS21078-08	3-19	-	MS21083N06	12-13	330
MS21078-08	3-19	-	MS21083N06	12-5	-
MS21078-08	3-20B	-	MS21083N06	6-11	-
MS21078-08	3-20B	-	MS21083N06	6-14	40
MS21078-08K	3-19	-	MS21083N06	6-4	-
MS21078-08K	3-19	30	MS21083N06	6-4	-
MS21078-08K	3-20	-	MS21083N06	6-4	-
MS21078-08K	3-20A	-	MS21083N06	6-4	-
MS21078-3	3-20	-	MS21083N06	6-4	-
MS21078-3	3-20	-	MS21083N06	6-4	-
MS21078-3	3-20	-	MS21083N06	6-6	190
MS21078-3	3-20A	-	MS21083N06	7-1	-
MS21078-3	3-20A	-	MS21083N06	7-11	440
MS21078-3	3-20B	-	MS21083N06	9-4	100
MS21078-3	3-20B	-	MS21083N08	11-11	200

ENSTROM F-28/280 SERIES ILLUSTRATED PARTS CATALOG

PART NUMBER INDEX

Part Number	Figure	Item	Part Number	Figure	Item
MS21083N08	11-19	245	MS21083N3	7-1	–
MS21083N08	11-7	670	MS21083N3	7-3	70
MS21083N08	11-8	315	MS21083N3	7-9	140
MS21083N08	11-9	240	MS21083N3	7-17	110
MS21083N08	5-1	370	MS21083N3	12-5	150
MS21083N08	6-11	160	MS21083N4	3-22	180
MS21083N08	6-11	80	MS21083N4	3-22	290
MS21083N08	6-5	230	MS21083N4	3-23	190
MS21083N08	6-5	32	MS21083N4	5-1	490
MS21083N08	6-6	340	MS21083N4	5-1	70
MS21083N08	6-7	110	MS21083N4	5-5	140
MS21083N08	6-7	210	MS21083N4	7-17	360
MS21083N08	7-11	470	MS21083N4	8-11	10
MS21083N08	7-5	200	MS21083N4	8-11	150
MS21083N12	7-20	560	MS21083N4	12-13	300
MS21083N3	3-11	160	MS21083N4	7-20	260
MS21083N3	3-13	60	MS21083N4	7-21	30
MS21083N3	3-21	50	MS21083N4	12-5	420
MS21083N3	3-26	220	MS21083N4	12-10	160
MS21083N3	3-5A	130	MS21083N4	12-11	230
MS21083N3	3-5A	210	MS21083N4	12-12	270
MS21083N3	4-2	–	MS21083N5	5-4	230
MS21083N3	5-1	150	MS21083N5	7-20	–
MS21083N3	5-3	460	MS21083N6	4-2	320
MS21083N3	5-5	300	MS21083N6	5-3	330
MS21083N3	6-13	–	MS21083N6	7-19	40
MS21083N3	6-13	–	MS21083N6	7-20	440
MS21083N3	6-13	–	MS21240-08C12	8-3A	430
MS21083N3	6-13	188	MS21242S8	5-3	520
MS21083N3	6-13	195	MS21242S8K	4-4	200
MS21083N3	6-2	–	MS21242S8K	5-3	520
MS21083N3	6-2	–	MS21250-06042	5-6	250
MS21083N3	6-3	40	MS21250-06044	5-6	250
MS21083N3	7-6	460	MS21251-B3S	12-5	800
MS21083N3	8-11	70	MS21255-3LS	12-5	810
MS21083N3	8-14	100	MS21255-3RS	12-5	830
MS21083N3	8-14	130	MS21256-1	12-5	820
MS21083N3	8-19	40	MS21262-6	12-9	100
MS21083N3	8-6A	150	MS21262-6	12-10	100
MS21083N3	8-7	–	MS21299C6	4-3	100

ENSTROM F-28/280 SERIES ILLUSTRATED PARTS CATALOG

PART NUMBER INDEX

Part Number	Figure	Item	Part Number	Figure	Item
MS21913J4	11-19	145	MS21919WCJ14	3-23	380
MS21919CJ15	11-14	–	MS21919WCJ14	3-24	310
MS21919DF12	11-17	130	MS21919WCJ14	3-7	90
MS21919DF-12	11-16	100	MS21919WCJ16	10-4	60
MS21919-DF12	3-1	50	MS21919WCJ16	11-17	140
MS21919-DF12	3-2	80	MS21919WCJ16	3-23	380
MS21919-DF12	3-6	80	MS21919WCJ16	5-5	280
MS21919DF16	11-17	140	MS21919WCJ18	3-7	40
MS21919DF-3	11-16	110	MS21919WCJ3	3-24	115
MS21919-DF6	3-6	80	MS21919WCJ3	11-17	90
MS21919-DG12	6-13	20	MS21919WCJ4	11-11	60
MS21919-DG-15	11-14	–	MS21919WCJ4	11-15	130
MS21919DG3	11-17	90	MS21919WCJ4	11-17	100
MS21919-DG3	7-5	330	MS21919WCJ4	3-24	170
MS21919DG4	3-24	170	MS21919WCJ4	3-4	240
MS21919F10	11-17	120	MS21919WCJ6	3-24	300
MS21919-F10	3-4	30	MS21919WCJ6	3-4	250
MS21919-F12	3-4	270	MS21919WCJ6	11-17	110
MS21919F4	11-11	60	MS21919WCJ8	3-4	260
MS21919F4	11-17	100	MS21919WDF12	3-5	40
MS21919-F4	3-4	240	MS21919WDF3	3-22	460
MS21919F6	11-17	110	MS21919WDG12	3-24	–
MS21919-F6	3-4	250	MS21919WDG12	3-24	220
MS21919F8	10-4	60	MS21919WDG12	3-5A	100
MS21919-F8	10-3	–	MS21919WDG12	3-5A	180
MS21919-F8	3-4	260	MS21919WDG12	6-13	20
MS21919-G38	10-2	–	MS21919WDG-12	11-18	35
MS21919WCJ10	3-23	390	MS21919WDG-12	12-4	80
MS21919WCJ10	3-23	481	MS21919WDG14	3-24	310
MS21919WCJ10	3-4	30	MS21919WDG-14	11-18	30
MS21919WCJ10	11-17	120	MS21919WDG-14	12-4	70
MS21919WCJ12	3-20	560	MS21919WDG15	11-15	125
MS21919WCJ12	3-20A	560	MS21919WDG2	6-5	215
MS21919WCJ12	3-20B	560	MS21919WDG3	10-4	140
MS21919WCJ12	3-20B	560	MS21919WDG3	10-4	240
MS21919WCJ12	3-23	70	MS21919WDG3	3-24	–
MS21919WCJ12	3-24	220	MS21919WDG3	6-7	80
MS21919WCJ12	3-4	270	MS21919WDG-5	11-18	25
MS21919WCJ12	6-2	60	MS21919WDG-5	12-4	60
MS21919WCJ12	11-17	130	MS21919WDG6	11-19	250

ENSTROM F-28/280 SERIES ILLUSTRATED PARTS CATALOG

PART NUMBER INDEX

Part Number	Figure	Item	Part Number	Figure	Item
MS21919WDG6	3-24	300	MS24665-151	3-11	320
MS21919WF10	3-22	390	MS24665-151	3-13	110
MS21919WF12	3-20	560	MS24665-151	3-14	60
MS21919WF12	3-20A	560	MS24665-151	3-15	60
MS21919WF12	3-20B	560	MS24665-151	5-1	300
MS21919WF12	3-22	80	MS24665-151	5-2	110
MS21919WF12	3-7	90	MS24665-151	5-3	410
MS21919WF12	6-1	120	MS24665-151	5-5	170
MS21919WF12	6-1	60	MS24665-151	8-20	80
MS21919WF14	3-22	90	MS24665-151	8-21	70
MS21919WF14	3-7	90	MS24665-151	8-3	100
MS21919WF16	3-22	380	MS24665-151	8-4	190
MS21919WF16	5-5	280	MS24665-151	8-5	420
MS21919WF18	3-7	40	MS24665-151	8-5A	130
MS21919WF4	11-15	130	MS24665-151	8-6A	200
MS21919WF4	3-20	620	MS24665-152	8-3	50
MS21919WF4	3-20A	620	MS24665-152	8-5	470
MS21919WF4	3-20B	620	MS24665-153	12-5	240
MS21919WF-4	3-24	170	MS24665-153	3-24	530
MS21919WF6	3-22	70	MS24665-153	3-28	305
MS21919WG38	10-4	250	MS24665-153	3-28	320
MS21919WG38	10-4	420	MS24665-153	5-1	445
MS21919WG38	10-4	70	MS24665-155	12-5	-
MS24566-1B	12-5	890	MS24665-155	12-8	90
MS24566-2B	12-5	860	MS24665-157	12-5	870
MS24566-3B	12-5	880	MS24665-300	12-5	840
MS24586C234	3-11	480	MS24665-300	3-28	320
MS24586C311	3-11	470	MS24665-300	3-30	60
MS24586-C346	3-11	200	MS24665-300	3-30	60A
MS24665-1013	12-6	100	MS24665-300	8-1	130
MS24665-1013	8-2	70	MS24665-300	8-5A	80
MS24665-1013	8-3A	370	MS24665-302	4-3	170
MS24665-1013	8-4	300	MS24665-302	8-1	140
MS24665-1013	7-5	280	MS24665-302	8-3A	410
MS24665-151	12-10	210	MS24665-304	12-5	80
MS24665-151	12-5	260	MS24665-304	5-3	100
MS24665-151	12-6	210	MS24665-360	4-2	200
MS24665-151	12-7	250	MS24665-377	12-5	340
MS24665-151	12-8	250	MS24665-90	3-28	375
MS24665-151	3-10	250	MS24674-45	3-8	180

ENSTROM F-28/280 SERIES ILLUSTRATED PARTS CATALOG

PART NUMBER INDEX

Part Number	Figure	Item	Part Number	Figure	Item
MS24677-52	4-2	350	MS25171-4S	6-13	–
MS24693-BB26	11-22	60	MS25244-5	11-6	410
MS24693-BB26	11-9	105	MS25331-8	11-5	310
MS24693-BB26	11-9	175	MS26574-2 1/2	11-5	230
MS24693-BB26	11-6	430	MS26574-20	11-5	240
MS24693-BB28	11-22	110	MS26574-5	6-3	–
MS24693-BB50	11-8	370	MS26574-7 1/2	11-5	220
MS24693-BB50	11-7	810	MS27039-0806	5-1	340
MS24693-C274	7-1	820	MS27039-0806	7-1	440
MS24693-S25	7-10	440	MS27039-0806	7-8	110
MS24693-S25	7-11	420	MS27039-0806	8-6	100
MS24693S26	9-3	80	MS27039-0806	8-6A	40
MS24693S26	9-4	190	MS27039-0807	6-5	100
MS24693-S27	9-1	–	MS27039-0807	7-1	410
MS24693-S287	4-2	–	MS27039-0807	7-5	600
MS24693-S48	7-6	240	MS27039-0807	7-11	450
MS24693-S49	7-2	100	MS27039-0808	6-5	110
MS24693-S50	8-16	100	MS27039-0808	11-11	180
MS24693-S50	8-17	100	MS27039-0808	7-5	310
MS24693-S51	11-20	120	MS27039-0808	7-5	820
MS24693-S51	7-1	680	MS27039-0808	7-15	120
MS24693-S51	7-10	230	MS27039-0808	7-16	260
MS24693-S51	8-17	110	MS27039-0810	7-5	450
MS24694-50	11-8	–	MS27039-1-09	7-6	110
MS24694-52	3-12	60	MS27039-808	11-16	60
MS24694-80	3-12	80	MS27404-4D	11-8	–
MS24694-S1	8-13	30	MS27641-4	3-11	230
MS24694-S13	7-4	280	MS27641-4	3-11	340
MS24694-S15	7-1	60	MS27718-21-1	8-16	30
MS24694-S52	7-6	140	MS27718-22-1	8-16	40
MS24694-S52	9-5	115	MS27718-21-1	8-17	30
MS24694-S58	6-13	192	MS27718-22-1	8-17	40
MS24694-S7	7-4	140	MS27769D3	3-26	170
MS25036-145	11-22	150	MS28775-015	3-5	–
MS25171-1S	6-13	–	MS28775-018	12-1	40
MS25171-1S	6-13	240	MS28775-026	3-9	60
MS25171-2S	6-13	–	MS28775-029	4-2	140
MS25171-2S	6-13	–	MS28775-111	12-6	40
MS25171-2S	6-13	–	MS28775-111	12-5	740
MS25171-3S	6-13	230	MS28775-113	12-1	80

ENSTROM F-28/280 SERIES ILLUSTRATED PARTS CATALOG

PART NUMBER INDEX

Part Number	Figure	Item	Part Number	Figure	Item
MS28775-116	6-11	290	MS35206-230	6-11	–
MS28775-214	3-9	70	MS35206-230	7-1	–
MS28775-218	3-9	40	MS35206-244	11-7	860
MS28775-218	7-21	160	MS35206-244	11-8	395
MS28778-12	3-23	130	MS35206-244	11-9	305
MS28778-2	12-1	60	MS35206-244	3-17	140
MS28778-2	3-26	80	MS35206-244	3-19	–
MS28778-3	12-1	20	MS35206-244	3-20	430
MS28778-3	5-6	–	MS35206-244	3-20A	430
MS28778-4	5-6	–	MS35206-244	3-20B	430
MS28778-6	3-22	–	MS35206-244	3-6	230
MS28778-6	3-22	–	MS35206-244	3-7	250
MS28778-6	3-23	360	MS35206-244	3-7	280
MS28778-8	3-7	101	MS35206-244	3-9	90
MS28778-8	3-7	11	MS35206-244	6-11	61
MS28778-8	3-7	321	MS35206-244	6-2	–
MS28884A-6	3-4	140	MS35206-244	6-2	–
MS28889-2	7-21	90	MS35206-244	7-10	340
MS29512-06	3-22	–	MS35206-244	8-16	240
MS29512-06	3-22	–	MS35206-244	8-17	270
MS29512-06	3-22	–	MS35206-245	10-4	430
MS29513-010	3-26	60	MS35206-245	11-11	70
MS29513-113	3-26	40	MS35206-245	11-15	105
MS30526-230	3-24	130	MS35206-245	11-19	235
MS33737-16C	11-8	70	MS35206-245	11-19	80
MS33737-16C	11-7	110	MS35206-245	12-4	90
MS35190-253	11-8	305	MS35206-245	3-19	140
MS35190-253	11-9	230	MS35206-245	3-20	570
MS35190-253	11-7	650	MS35206-245	3-20A	570
MS35206-219	8-9	60	MS35206-245	3-20B	570
MS35206-219	8-10	60	MS35206-245	3-23	482
MS35206-225	8-16	–	MS35206-245	3-24	–
MS35206-225	8-17	–	MS35206-245	3-24	–
MS35206-227	7-1	–	MS35206-245	3-24	–
MS35206-228	6-11	100	MS35206-245	3-24	130
MS35206-228	6-4	300	MS35206-245	11-17	150
MS35206-228	11-20	40	MS35206-245	7-9	300
MS35206-228	7-9	50	MS35206-245	7-9	400
MS35206-229	11-20	50	MS35206-245	7-10	640
MS35206-230	3-26	110	MS35206-246	11-15	115

ENSTROM F-28/280 SERIES ILLUSTRATED PARTS CATALOG

PART NUMBER INDEX

Part Number	Figure	Item	Part Number	Figure	Item
MS35206-246	3-22	400	MS35214-15	11-8	110
MS35206-246	3-23	80	MS35214-15	11-9	–
MS35206-246	3-24	240	MS35214-15	11-9	–
MS35206-246	3-5	50	MS35214-15	8-16	60
MS35206-246	3-6	90	MS35214-15	8-17	60
MS35206-246	3-7	50	MS35214-25	11-6	220
MS35206-246	6-1	130	MS35214-25	11-7	90
MS35206-246	6-1	70	MS35214-25	11-8	55
MS35206-246	6-2	–	MS35214-26	11-6	380
MS35206-246	6-2	–	MS35214-26	11-7	140
MS35206-246	6-2	–	MS35214-26	11-8	30
MS35206-246	11-16	120	MS35214-26	11-9	–
MS35206-246	7-10	580	MS35214-26	11-9	–
MS35206-247	11-7	770	MS35214-26	11-9	53
MS35206-247	11-8	410	MS35214-27	11-8	129
MS35206-247	11-9	320	MS35214-27	11-9	–
MS35206-247	11-15	140	MS35214-28	11-7	480
MS35206-247	3-4	280	MS35214-28	11-8	225
MS35206-247	6-2	–	MS35214-29	11-6	50
MS35206-249	11-15	135	MS35214-30	11-5	–
MS35206-249	11-14	110	MS35214-30	11-6	140
MS35206-249	12-9	210	MS35214-30	11-7	200
MS35206-250	11-8	430	MS35214-30	11-8	95
MS35206-250	11-9	340	MS35214-30	11-9	–
MS35206-250	11-7	900	MS35214-31	11-6	60
MS35206-251	11-15	100	MS35214-31	11-7	100
MS35206-251	11-14	–	MS35214-31	11-8	65
MS35207-10-16	12-10	280	MS35214-31	11-9	–
MS35207-262	6-2	–	MS35214-31	11-9	–
MS35207-262	6-2	–	MS35214-31	11-9	–
MS35207-262	12-13	250	MS35214-31	11-9	–
MS35207-263	6-2	–	MS35214-44	11-22	40
MS35207-263	6-2	–	MS35214-44	11-8	515
MS35207-264	3-5A	110	MS35333-37	6-6	270
MS35207-264	3-5A	190	MS35333-39	3-20	410
MS35207-277	7-4	480	MS35333-39	3-20A	410
MS35207-AR	12-13	250	MS35333-39	3-20B	410
MS35214-109	11-6	130	MS35333-40	7-10	210
MS35214-15	11-7	210	MS35333-40	9-3	300
MS35214-15	11-8	–	MS35333-40	9-4	260

ENSTROM F-28/280 SERIES ILLUSTRATED PARTS CATALOG

PART NUMBER INDEX

Part Number	Figure	Item	Part Number	Figure	Item
MS35333-47	3-15	90	MS35338-42	6-2	–
MS35333-47	3-24	450	MS35338-42	6-2	–
MS35333-47	7-5	–	MS35338-42	11-7	780
MS35338-40	8-9	80	MS35338-42	11-7	910
MS35338-40	8-10	80	MS35338-42	11-14	130
MS35338-41	11-19	55	MS35338-42	11-16	70
MS35338-41	3-16	100	MS35338-42	11-17	170
MS35338-41	3-20	360	MS35338-42	7-1	660
MS35338-41	3-20A	360	MS35338-42	7-2	120
MS35338-41	3-20B	360	MS35338-43	3-1	80
MS35338-41	11-5	–	MS35338-43	3-20	585
MS35338-41	11-6	90	MS35338-43	3-20A	585
MS35338-41	11-20	70	MS35338-43	3-20B	585
MS35338-41	7-1	–	MS35338-43	3-25	60
MS35338-42	10-4	450	MS35338-43	6-2	–
MS35338-42	11-8	415	MS35338-43	6-2	–
MS35338-42	11-9	325	MS35338-43	9-5	50
MS35338-42	11-15	85	MS35338-43	8-9	–
MS35338-42	11-19	90	MS35338-43	8-10	–
MS35338-42	3-20	590	MS35338-44	5-6	230
MS35338-42	3-20A	590	MS35338-44	6-2	–
MS35338-42	3-20B	590	MS35338-44	6-2	–
MS35338-42	3-22	120	MS35338-44	6-2	–
MS35338-42	3-23	100	MS35338-98	11-22	70
MS35338-42	3-24	–	MS35338-99	11-22	50
MS35338-42	3-24	–	MS35338-99	11-8	510
MS35338-42	3-24	–	MS353630-42	3-7	70
MS35338-42	3-24	150	MS35489-1	11-22	130
MS35338-42	3-4	280	MS35489-1	6-4	–
MS35338-42	3-4	300	MS35489-10	3-24	–
MS35338-42	3-5	70	MS35489-10	7-10	75
MS35338-42	3-6	110	MS35489-11	3-15	140
MS35338-42	3-9	110	MS35489-11	11-17	60
MS35338-42	5-1	350	MS35489-11	11-19	220
MS35338-42	6-1	–	MS35489-14	11-19	180
MS35338-42	6-1	–	MS35489-14	3-24	–
MS35338-42	6-1	–	MS35489-14	7-10	76
MS35338-42	6-1	–	MS35489-2	3-23	510
MS35338-42	6-13	–	MS35489-4	6-11	–
MS35338-42	6-2	–	MS35489-5	6-4	290

ENSTROM F-28/280 SERIES ILLUSTRATED PARTS CATALOG

PART NUMBER INDEX

Part Number	Figure	Item	Part Number	Figure	Item
MS35489-6	6-10	70	MS35649-282	6-1	–
MS35489-6	6-7	220	MS35649-282	6-1	–
MS35489-6	6-7	70	MS35649-282	6-13	–
MS35489-6	11-16	90	MS35649-282	6-2	–
MS35489-6	11-17	80	MS35649-282	6-2	–
MS35649-202	6-2	–	MS35649-282	6-2	–
MS35649-2312	3-3	290	MS35649-282	8-3A	290
MS35649-242	8-9	90	MS35649-282	11-7	790
MS35649-242	8-10	90	MS35649-282	11-14	140
MS35649-262	11-19	60	MS35649-282	11-16	80
MS35649-262	3-20	370	MS35649-282	11-17	180
MS35649-262	3-20A	370	MS35649-282	7-1	700
MS35649-262	3-20B	370	MS35649-282	7-2	130
MS35649-262	3-26	120	MS35650-302	3-20	595
MS35649-262	11-5	–	MS35650-302	3-20B	595
MS35649-262	11-6	80	MS35650-302	9-5	55
MS35649-265B	11-22	80	MS35650-302	8-9	–
MS35649-282	10-4	460	MS35650-302	8-10	–
MS35649-282	11-8	420	MS35769-06	5-6	120
MS35649-282	11-9	330	MS35769-11	5-6	125
MS35649-282	11-15	90	MS35769-6	5-6	140
MS35649-282	11-19	95	MS35769-6	6-11	20
MS35649-282	12-4	120	MS35769-9	12-1	100
MS35649-282	3-20	600	MS35769-9	5-6	120
MS35649-282	3-20A	600	MS35842-13	3-3	260
MS35649-282	3-20B	600	MS51500-B6-8	3-8	140
MS35649-282	3-22	130	MS51525-B6-8	3-22	210
MS35649-282	3-23	110	MS51525B6-8Z	3-23	120
MS35649-282	3-24	–	MS51529B6S	3-22	360
MS35649-282	3-24	–	MS51529B6S	3-23	350
MS35649-282	3-24	–	MS51861-24	3-17	30
MS35649-282	3-24	140	MS51861-24	3-17	60
MS35649-282	3-4	310	MS51861-24	7-5	860
MS35649-282	3-5	80	MS51861-25	7-1	–
MS35649-282	3-6	120	MS51861-25	7-5	640
MS35649-282	3-7	80	MS51861-35	3-27	–
MS35649-282	3-9	120	MS51861-35	3-28	–
MS35649-282	5-1	370	MS51861-35	6-1	110
MS35649-282	6-1	–	MS51861-35	6-1	50
MS35649-282	6-1	–	MS51861-35	7-10	260

ENSTROM F-28/280 SERIES ILLUSTRATED PARTS CATALOG

PART NUMBER INDEX

Part Number	Figure	Item	Part Number	Figure	Item
MS51861-35	7-9	210	NAJ17-02BC	3-20A	–
MS51861-36	3-20	291	NAJ17-02BC	3-20B	–
MS51861-45C	3-28	–	NAJ17-82BC	3-19	–
MS51862-13	7-1	130	NAJ17-82BC	3-20	–
MS51862-13	7-4	400	NAJ17-82BC	3-20A	–
MS51862-13	7-5	590	NAJ1-82BC	3-18	–
MS51862-14	7-4	600	NAJ1-82BC	3-18	–
MS51862-14	9-3	40	NAJ1-82BC	3-19	30
MS51862-14	9-3	60	NAJ1-82BC	3-20A	–
MS75028-22	11-17	30	NAJ1-82BC	3-20B	–
MS9021-152	5-4	50	NAJ5-048	5-3	–
MS9352-03	3-22	460	NAS1023D08K	3-18	–
MTK8	5-3	520	NAS1023D08K	3-18	–
MW-3TM-29	3-14	30	NAS1023D08K	3-20A	–
N-09	4-3	10	NAS1023D08K	3-20B	–
N5000-112-PP	12-9	80	NAS1068A08	3-20	–
N5000-137-S-PP	5-3	30	NAS1068A08	3-20A	–
N5000-175-PP	12-1	170	NAS1068A08	3-20B	–
N5000-187-ZD	12-3	30	NAS1097AD3-3	3-18	–
N5000-206-PP	12-1	210	NAS1097AD3-3	3-20	–
N5000-268-PP	12-7	100	NAS1097AD3-3	3-20	–
N5000-62-PP	11-18	110	NAS1097AD3-3	3-20	–
N5000-62-PP	12-4	190	NAS1097AD3-3	3-20A	–
N5000-62-PP	8-9	150	NAS1097AD3-3	3-20A	–
N5000-62-PP	8-10	150	NAS1097AD3-3	3-20A	–
N5000-87	8-9	290	NAS1097AD3-3	3-20B	–
N5000-87	8-10	290	NAS1097AD3-3	3-20B	–
N5000-87-PP	8-9	290	NAS1097AD3-3	3-20B	–
N5000-87-PP	8-10	290	NAS1097AD3-3	6-12	50
N5002-100	12-13	100	NAS1097AD3-4	3-20	–
N5002-100	12-12	80	NAS1097AD3-4	3-20	–
N5002-125-PP	8-1	40	NAS1097AD3-4	3-20	–
N5002-268-PP	12-8	80	NAS1097AD3-4	3-20	–
N5002-354-S-PP	5-4	310	NAS1097AD3-4	3-20	–
N5108-56-PP	8-9	370	NAS1097AD3-4	3-20	–
N5108-56-PP	8-10	370	NAS1097AD3-4	3-20	–
NAJ-02BC	3-20A	–	NAS1097AD3-4	3-20A	–
NAJ1-02	3-26	–	NAS1097AD3-4	3-20A	–
NAJ1-02BC	3-20A	–	NAS1097AD3-4	3-20A	–
NAJ1-02BC	3-20A	–	NAS1097AD3-4	3-20A	–

ENSTROM F-28/280 SERIES ILLUSTRATED PARTS CATALOG

PART NUMBER INDEX

Part Number	Figure	Item	Part Number	Figure	Item
NAS1097AD3-4	3-20A	-	NAS1149D0363J	7-9	340
NAS1097AD3-4	3-20A	-	NAS1149D0463J	11-20	140
NAS1097AD3-4	3-20B	-	NAS1149D0463J	7-17	210
NAS1097AD3-4	3-20B	-	NAS1149D0563H	4-1	30
NAS1097AD3-4	3-20B	-	NAS1149D0563H	8-4	220
NAS1097AD3-4	3-20B	-	NAS1149D0663H	4-2	310
NAS1097AD3-4	3-20B	-	NAS1149DN816J	4-1	160
NAS1097AD3-4	3-20B	-	NAS1149DN832H	4-2	230
NAS1101-08-6	8-7	-	NAS1149DN832H	4-2	40
NAS1101-08-6	8-10	380	NAS1149DN832H	6-11	220
NAS1101-08-8	8-9	130	NAS1149F0316P	6-2	-
NAS1101-08-8	8-9	380	NAS1149F0316P	8-11	60
NAS1101-08-8	8-10	130	NAS1149F0316P	12-13	240
NAS1101-3-10	8-3A	260	NAS1149F0316P	8-14	90
NAS1101-3-10	8-9	20	NAS1149F0332P	11-7	620
NAS1101-3-10	8-10	20	NAS1149F0332P	11-9	215
NAS1101-3-10	7-15	140	NAS1149F0332P	12-1	230
NAS1101-3-10	7-16	240	NAS1149F0332P	12-13	-
NAS1101-3-8	8-9	-	NAS1149F0332P	12-5	140
NAS1101-3-8	8-10	-	NAS1149F0332P	12-7	200
NAS1149C0332R	12-3	80	NAS1149F0332P	12-8	270
NAS1149C0332R	7-1	-	NAS1149F0332P	3-1	60
NAS1149C0363R	3-29	110	NAS1149F0332P	3-10	150
NAS1149C0432R	12-6	80	NAS1149F0332P	3-10	180
NAS1149C0463R	12-6	60	NAS1149F0332P	3-12	40
NAS1149C0463R	12-6	70	NAS1149F0332P	3-13	50
NAS1149C0463R	5-3	160	NAS1149F0332P	3-14	20
NAS1149C0463R	12-5	750	NAS1149F0332P	3-15	20
NAS1149C0563R	3-29	140	NAS1149F0332P	3-20	575
NAS1149C0563R	7-1	140	NAS1149F0332P	3-20A	575
NAS1149C0632R	3-8	170	NAS1149F0332P	3-20B	575
NAS1149C1290R	4-2	260	NAS1149F0332P	3-20B	575
NAS1149C1290R	5-3	470	NAS1149F0332P	3-23	570
NAS1149C1290R	7-20	570	NAS1149F0332P	3-24	540
NAS1149D0316H	3-26	210	NAS1149F0332P	3-25	70
NAS1149D0316H	7-6	120	NAS1149F0332P	3-5A	120
NAS1149D0316H	7-16	50	NAS1149F0332P	3-5A	200
NAS1149D0316J	9-5	45	NAS1149F0332P	3-6	260
NAS1149D0316J	9-5	65	NAS1149F0332P	3-7	160
NAS1149D0316J	7-17	100	NAS1149F0332P	3-7	260

ENSTROM F-28/280 SERIES ILLUSTRATED PARTS CATALOG

PART NUMBER INDEX

Part Number	Figure	Item	Part Number	Figure	Item
NAS1149F0332P	3-9	150	NAS1149F0332P	9-5	15
NAS1149F0332P	5-1	130	NAS1149F0363P	11-8	320
NAS1149F0332P	5-1	450	NAS1149F0363P	11-9	245
NAS1149F0332P	5-2	60	NAS1149F0363P	12-4	270
NAS1149F0332P	5-3	200	NAS1149F0363P	12-4	-290
NAS1149F0332P	5-3	440	NAS1149F0363P	3-11	140
NAS1149F0332P	5-5	260	NAS1149F0363P	3-11	400
NAS1149F0332P	6-13	-	NAS1149F0363P	3-11	90
NAS1149F0332P	6-13	-	NAS1149F0363P	3-12	30
NAS1149F0332P	6-13	187	NAS1149F0363P	3-20	510
NAS1149F0332P	6-13	194	NAS1149F0363P	3-20A	510
NAS1149F0332P	6-13	40	NAS1149F0363P	3-20B	510
NAS1149F0332P	6-13	60	NAS1149F0363P	3-28	-
NAS1149F0332P	6-2	-	NAS1149F0363P	3-28	340
NAS1149F0332P	6-2	-	NAS1149F0363P	3-6	160
NAS1149F0332P	6-2	-	NAS1149F0363P	3-7	130
NAS1149F0332P	6-2	-	NAS1149F0363P	5-1	450
NAS1149F0332P	6-3	30	NAS1149F0363P	5-3	210
NAS1149F0332P	7-3	60	NAS1149F0363P	5-5	260
NAS1149F0332P	7-5	430	NAS1149F0363P	6-13	-
NAS1149F0332P	7-5	880	NAS1149F0363P	6-13	193
NAS1149F0332P	7-9	100	NAS1149F0363P	8-2	20
NAS1149F0332P	7-10	600	NAS1149F0363P	8-9	30
NAS1149F0332P	7-15	60	NAS1149F0363P	8-10	30
NAS1149F0332P	7-16	160	NAS1149F0363P	8-15	110
NAS1149F0332P	7-17	150	NAS1149F0363P	9-5	120
NAS1149F0332P	8-11	55	NAS1149F0363P	11-7	640
NAS1149F0332P	8-12	90	NAS1149F0363P	7-3	100
NAS1149F0332P	8-12	170	NAS1149F0363P	7-4	160
NAS1149F0332P	8-13	60	NAS1149F0363P	7-5	580
NAS1149F0332P	8-14	120	NAS1149F0363P	7-9	130
NAS1149F0332P	8-18	20	NAS1149F0363P	7-10	660
NAS1149F0332P	8-19	30	NAS1149F0363P	7-15	110
NAS1149F0332P	8-3A	270	NAS1149F0363P	7-20	150
NAS1149F0332P	8-5	250	NAS1149F0363P	12-5	700
NAS1149F0332P	8-5A	150	NAS1149F0363P	12-10	290
NAS1149F0332P	8-6	50	NAS1149F0363P	12-11	320
NAS1149F0332P	8-6A	140	NAS1149F0363P	12-12	220
NAS1149F0332P	8-7	60	NAS1149F0432P	12-13	260
NAS1149F0332P	400	9-3	NAS1149F0432P	12-5	360

ENSTROM F-28/280 SERIES ILLUSTRATED PARTS CATALOG

PART NUMBER INDEX

Part Number	Figure	Item	Part Number	Figure	Item
NAS1149F0432P	3-11	360	NAS1149F0463P	5-1	280
NAS1149F0432P	3-20	390	NAS1149F0463P	5-3	390
NAS1149F0432P	3-20	460	NAS1149F0463P	5-4	400
NAS1149F0432P	3-20	540	NAS1149F0463P	5-5	330
NAS1149F0432P	3-20A	390	NAS1149F0463P	5-6	240
NAS1149F0432P	3-20A	460	NAS1149F0463P	8-20	60
NAS1149F0432P	3-20A	540	NAS1149F0463P	8-3	80
NAS1149F0432P	3-20B	390	NAS1149F0463P	8-4	290
NAS1149F0432P	3-20B	460	NAS1149F0463P	8-5	380
NAS1149F0432P	3-20B	540	NAS1149F0463P	8-8	150
NAS1149F0432P	3-22	170	NAS1149F0463P	7-5	900
NAS1149F0432P	3-22	170	NAS1149F0463P	7-13	20
NAS1149F0432P	3-29	120	NAS1149F0463P	7-17	170
NAS1149F0432P	5-1	20	NAS1149F0463P	7-20	85
NAS1149F0432P	5-5	110	NAS1149F0463P	7-20	250
NAS1149F0432P	5-7	75	NAS1149F0463P	12-5	760
NAS1149F0432P	6-13	–	NAS1149F0463P	12-9	130
NAS1149F0432P	6-2	–	NAS1149F0463P	12-10	220
NAS1149F0432P	6-2	–	NAS1149F0532P	12-7	50
NAS1149F0432P	6-2	–	NAS1149F0532P	12-8	220
NAS1149F0432P	6-2	–	NAS1149F0532P	3-11	–
NAS1149F0432P	7-13	40	NAS1149F0532P	3-29	130
NAS1149F0432P	7-15	180	NAS1149F0532P	4-1	55
NAS1149F0432P	7-16	210	NAS1149F0532P	4-2	360
NAS1149F0432P	7-17	240	NAS1149F0532P	5-1	410
NAS1149F0432P	7-19	90	NAS1149F0532P	6-13	–
NAS1149F0432P	7-20	110	NAS1149F0532P	8-15	70
NAS1149F0432P	7-22	80	NAS1149F0532P	8-20	200
NAS1149F0432P	8-11	140	NAS1149F0532P	8-4	210
NAS1149F0432P	8-12	120	NAS1149F0532P	8-5	450
NAS1149F0432P	8-18	170	NAS1149F0532P	8-5A	100
NAS1149F0432P	8-2	50	NAS1149F0532P	7-20	80
NAS1149F0432P	8-4	240	NAS1149F0532P	7-20	–
NAS1149F0432P	8-8	40	NAS1149F0532P	7-21	20
NAS1149F0463P	12-6	200	NAS1149F0532P	12-5	220
NAS1149F0463P	3-11	350	NAS1149F0563P	12-7	–55
NAS1149F0463P	3-22	280	NAS1149F0563P	12-8	–230
NAS1149F0463P	3-23	300	NAS1149F0563P	4-1	60
NAS1149F0463P	4-4	160	NAS1149F0563P	4-2	360
NAS1149F0463P	4-4	310	NAS1149F0563P	5-1	420

ENSTROM F-28/280 SERIES ILLUSTRATED PARTS CATALOG

PART NUMBER INDEX

Part Number	Figure	Item	Part Number	Figure	Item
NAS1149F0563P	5-2	90	NAS1149FN316P	3-20	–
NAS1149F0563P	5-4	220	NAS1149FN316P	3-20	–
NAS1149F0563P	8-14	–	NAS1149FN316P	3-20	–
NAS1149F0563P	8-20	190	NAS1149FN316P	3-20A	–
NAS1149F0563P	8-3	30	NAS1149FN316P	3-20A	–
NAS1149F0563P	8-4	170	NAS1149FN316P	3-20A	–
NAS1149F0563P	8-5	440	NAS1149FN316P	3-20B	–
NAS1149F0563P	8-6A	170	NAS1149FN316P	3-26	140
NAS1149F0563P	7-13	70	NAS1149FN316P	6-7	150
NAS1149F0563P	7-19	60	NAS1149FN416P	11-7	220
NAS1149F0563P	7-20	310	NAS1149FN416P	11-8	115
NAS1149F0563P	12-5	210	NAS1149FN416P	11-9	–
NAS1149F0632P	3-10	110	NAS1149FN416P	7-5	–
NAS1149F0632P	5-4	370	NAS1149FN416P	8-9	70
NAS1149F0632P	8-1	110	NAS1149FN416P	8-10	70
NAS1149F0632P	7-20	450	NAS1149FN416P	7-2	160
NAS1149F0663P	5-6	270	NAS1149FN616P	11-5	–
NAS1149F0663P	7-19	30	NAS1149FN616P	11-6	100
NAS1149F0663P	7-20	450	NAS1149FN616P	11-7	150
NAS1149F0732P	11-11	120	NAS1149FN616P	11-8	35
NAS1149F0732P	3-10	120	NAS1149FN616P	11-9	–
NAS1149F0732P	3-14	110	NAS1149FN616P	11-9	–
NAS1149F0732P	3-15	130	NAS1149FN616P	11-9	–
NAS1149F0732P	3-24	200	NAS1149FN616P	11-19	50
NAS1149F0732P	3-30	80	NAS1149FN616P	3-16	90
NAS1149F0732P	8-1	100	NAS1149FN616P	3-17	100
NAS1149F0763P	3-30	70	NAS1149FN616P	3-17	120
NAS1149F0763P	11-15	20	NAS1149FN616P	3-17	40
NAS1149F0763P	12-13	340	NAS1149FN616P	3-17	70
NAS1149F0763P	12-5	560	NAS1149FN616P	6-11	–
NAS1149F0763P	12-9	20	NAS1149FN616P	6-11	–
NAS1149F0763P	12-11	20	NAS1149FN616P	6-4	–
NAS1149F0763P	12-12	310	NAS1149FN616P	6-4	–
NAS1149F0863P	3-24	200	NAS1149FN616P	6-4	–
NAS1149F0863P	5-4	160	NAS1149FN616P	6-4	–
NAS1149F0963P	3-2	220	NAS1149FN616P	6-4	–
NAS1149F1232P	3-10	110	NAS1149FN616P	6-4	–
NAS1149F1232P	3-15	120	NAS1149FN616P	6-6	220
NAS1149F1232P	3-24	440	NAS1149FN616P	7-1	–
NAS1149FN316P	10-4	–	NAS1149FN616P	7-8	140

ENSTROM F-28/280 SERIES ILLUSTRATED PARTS CATALOG

PART NUMBER INDEX

Part Number	Figure	Item	Part Number	Figure	Item
NAS1149FN616P	7-9	60	NAS1149FN816P	3-6	100
NAS1149FN616P	7-10	450	NAS1149FN816P	3-7	60
NAS1149FN616P	9-1	-	NAS1149FN816P	5-1	360
NAS1149FN616P	9-4	90	NAS1149FN816P	6-1	-
NAS1149FN616P	9-4	200	NAS1149FN816P	6-1	-
NAS1149FN632P	3-20	350	NAS1149FN816P	6-1	-
NAS1149FN632P	3-20A	350	NAS1149FN816P	6-2	-
NAS1149FN632P	3-20B	350	NAS1149FN816P	6-2	-
NAS1149FN632P	6-11	110	NAS1149FN816P	6-2	-
NAS1149FN632P	6-6	180	NAS1149FN816P	6-2	-
NAS1149FN632P	7-21	270	NAS1149FN816P	6-2	-
NAS1149FN816F	3-9	100	NAS1149FN816P	6-4	-
NAS1149FN816P	10-4	440	NAS1149FN816P	6-5	-
NAS1149FN816P	11-11	80	NAS1149FN816P	6-5	-
NAS1149FN816P	11-14	120	NAS1149FN816P	6-5	225
NAS1149FN816P	11-15	80	NAS1149FN816P	6-5	31
NAS1149FN816P	11-16	130	NAS1149FN816P	6-6	330
NAS1149FN816P	11-17	160	NAS1149FN816P	6-7	100
NAS1149FN816P	11-19	240	NAS1149FN816P	7-1	70
NAS1149FN816P	11-19	85	NAS1149FN816P	7-1	-
NAS1149FN816P	3-10	90	NAS1149FN816P	7-1	-
NAS1149FN816P	3-17	100	NAS1149FN816P	7-1	650
NAS1149FN816P	3-17	150	NAS1149FN816P	7-1	-
NAS1149FN816P	3-17	190	NAS1149FN816P	7-2	110
NAS1149FN816P	3-2	180	NAS1149FN816P	7-4	190
NAS1149FN816P	3-20	440	NAS1149FN816P	7-5	190
NAS1149FN816P	3-20	580	NAS1149FN816P	7-5	340
NAS1149FN816P	3-20A	440	NAS1149FN816P	7-8	40
NAS1149FN816P	3-20A	580	NAS1149FN816P	7-9	310
NAS1149FN816P	3-20B	440	NAS1149FN816P	7-10	350
NAS1149FN816P	3-20B	580	NAS1149FN816P	7-11	460
NAS1149FN816P	3-22	110	NAS1149FN816P	7-15	330
NAS1149FN816P	3-23	90	NAS1149FN816P	7-16	80
NAS1149FN816P	3-23	483	NAS1149FN816P	7-17	130
NAS1149FN816P	3-24	-	NAS1149FN816P	8-6	110
NAS1149FN816P	3-24	-	NAS1149FN816P	8-6A	50
NAS1149FN816P	3-24	-	NAS1149FN816P	8-9	120
NAS1149FN816P	3-24	160	NAS1149FN816P	8-10	120
NAS1149FN816P	3-4	290	NAS1149FN816P	9-3	280
NAS1149FN816P	3-5	60	NAS1149FN816P	9-4	250

ENSTROM F-28/280 SERIES ILLUSTRATED PARTS CATALOG

PART NUMBER INDEX

Part Number	Figure	Item	Part Number	Figure	Item
NAS1149FN832P	11-8	310	NAS428-3A10	3-28	220
NAS1149FN832P	11-9	235	NAS428K4-16	3-11	180
NAS1149FN832P	12-4	100	NAS428K4-16	3-11	20
NAS1149FN832P	12-4	320	NAS428K4A16	3-11	180
NAS1149FN832P	3-24	145	NAS428K4A16	3-11	20
NAS1149FN832P	3-7	260	NAS43HT3-48	5-5	270
NAS1149FN832P	3-7	290	NAS43HT4-64	3-20	550
NAS1149FN832P	4-1	310	NAS43HT4-64	3-20A	550
NAS1149FN832P	6-1	–	NAS43HT4-64	3-20B	550
NAS1149FN832P	6-11	70	NAS43HT4-64	3-7	380
NAS1149FN832P	6-13	–	NAS509-8	4-4	190
NAS1149FN832P	6-7	120	NAS509-8	5-3	500
NAS1149FN832P	6-7	200	NAS559-3	4-4	180
NAS1149FN832P	11-7	660	NAS559-3	5-3	510
NAS1149FN832P	11-11	190	NAS561C8-10	5-5	60
NAS1149FN832P	7-1	160	NAS6205-8D	12-5	290
NAS1149FN832P	7-8	120	NAS620-6L	6-11	–
NAS1149FN832P	12-9	220	NAS626-58	4-3	90
NAS1351-3H10P	12-1	150	NAS636A08	6-8	–
NAS13523H8P	3-3	350	NAS636A08	6-8	–
NAS1352-3H8P	3-3	210	NAS6603-1	5-5	310
NAS-1368-N8A	7-14	260	NAS6603-1	8-18	100
NAS-1368-N8A	7-15	230	NAS6603-1	8-19	100
NAS-1368-N8A	7-16	300	NAS6603-1	8-5	240
NAS-1368-N8A	7-17	220	NAS6603-10	3-11	130
NAS146DH-22	7-13	120	NAS6603-10	8-13	100
NAS146DH-24	7-13	100	NAS6603-12	12-4	280
NAS1523-4E	5-6	300	NAS6603-12	3-23	550
NAS1523-4E	5-7	70	NAS6603-14	11-8	290
NAS1611-010	3-26	80	NAS6603-14	11-7	610
NAS1611-025	4-4	110	NAS6603-14	5-5	250
NAS1611-025	4-4	40	NAS6603-14	8-12	80
NAS1611-029	4-2	140	NAS6603-14	8-14	80
NAS1611-137	4-4	150	NAS6603-16	3-26	200
NAS1611-326	4-4	90	NAS6603-16	8-13	90
NAS1611-333A	11-18	80	NAS6603-17	12-5	160
NAS1611-333A	12-4	50	NAS6603-18	8-5A	140
NAS1612-10	4-4	240	NAS6603-22	8-18	10
NAS1612-2	4-4	250	NAS6603-30	5-1	120
NAS1922-0100-3	3-3	130	NAS6603-32	8-19	140

ENSTROM F-28/280 SERIES ILLUSTRATED PARTS CATALOG

PART NUMBER INDEX

Part Number	Figure	Item	Part Number	Figure	Item
NAS66032	8-18	80	NAS6603D9	12-5	850
NAS66032	8-19	70	NAS6603H1	12-1	240
NAS66032	8-6	40	NAS6603H1	12-5	600
NAS66032	7-9	380	NAS6603H4	5-3	450
NAS6603-2	12-5	170	NAS6603H6	5-3	450
NAS6603-22	7-15	280	NAS6604-1	7-13	30
NAS6603-22	7-16	30	NAS6604-1	12-10	180
NAS6603-22	7-17	260	NAS6604-11	7-17	340
NAS6603-22	8-13	130	NAS6604-11	8-8	140
NAS6603-24	8-5	310	NAS6604-13	8-8	30
NAS6603-24	8-7	50	NAS6604-15	5-5	350
NAS6603-24	7-15	100	NAS6604-17	7-13	50
NAS6603-24	7-16	40	NAS6604-17	7-19	80
NAS6603-24	7-17	310	NAS6604-17	7-20	290
NAS6603-26	7-15	50	NAS6604-17	8-12	110
NAS6603-26	7-17	140	NAS6604-17	8-18	160
NAS6603-32	8-13	50	NAS6604-23	8-8	110
NAS6603-32	8-18	40	NAS6604-25	7-15	270
NAS6603-34	8-14	110	NAS6604-25	7-16	200
NAS6603-34	8-19	20	NAS6604-25	7-17	230
NAS6603-4	3-20	500	NAS6604-25	12-5	350
NAS6603-4	3-20A	500	NAS6604-27	7-15	170
NAS6603-4	3-20B	500	NAS6604-27	7-16	110
NAS6603-4	3-7	150	NAS6604-29	7-15	260
NAS6603-4	3-7	330	NAS6604-29	7-17	280
NAS6603-4	7-5	870	NAS6604-3	12-13	280
NAS6603-4	7-9	90	NAS6604-3	12-12	250
NAS6603-4	7-15	240	NAS6604-31	5-1	220
NAS6603-4	7-16	150	NAS6604-40	7-20	550
NAS6603-4	8-12	160	NAS6604-42	7-20	100
NAS6603-40	7-20	140	NAS6604-44	7-22	70
NAS6603D14	3-11	460	NAS6604-50	7-20	240
NAS6603D16	3-11	420	NAS6604-56	7-20	270
NAS6603D2	8-6A	130	NAS6604-7	7-5	950
NAS6603D30	3-11	380	NAS6604-7	7-13	10
NAS6603D4	12-3	70	NAS6604-9	8-8	70
NAS6603D5	12-5	670	NAS6604D11	8-4	230
NAS6603D6	12-7	190	NAS6604D15	12-6	10
NAS6603D7	12-5	710	NAS6604D15	12-5	730
NAS6603D8	12-5	280	NAS6604D15	12-10	250

ENSTROM F-28/280 SERIES ILLUSTRATED PARTS CATALOG

PART NUMBER INDEX

Part Number	Figure	Item	Part Number	Figure	Item
NAS6604D17	12-6	190	NAS6607-5	12-11	10
NAS6604D17	5-1	260	NAS6607-5	12-12	320
NAS6604D17	8-3	70	NAS6607H5	12-5	570
NAS6604D17	12-5	770	NAS686A08K	3-20	-
NAS6604D19	12-5	440	NAS686A08K	3-20	-
NAS6604D21	3-11	330	NAS686A08K	3-20A	-
NAS6604D23	8-20	20	NAS686A08K	3-20B	-
NAS6604D23	8-5	370	NAS686A3K	3-20	-
NAS6604D25	8-20	220	NAS686A3K	3-20A	-
NAS6604D31	8-3A	310	NAS73-3-108	7-17	320
NAS6604D56	3-11	270	NAS73-3E002	3-28	360
NAS6604D7	12-2	90	NAS77A6-007	7-17	-
NAS6604D7	12-5	390	NK 500-8-5	8-9	380
NAS6604H1	12-13	270	NK 500-8-5	8-10	380
NAS6604H1	12-9	120	NK4-7A	7-17	200
NAS6604H1	12-11	170	NK500-416-7	3-20	380
NAS6604H1	12-12	240	NK500-416-7	3-20A	380
NAS6604H3	12-10	300	NK500-416-7	3-20B	380
NAS6604H3	12-11	210	NK500-416-7	3-22	160
NAS6605-23	7-20	400	NK500-8-10	7-1	150
NAS6605-29	7-20	420	NK500-8-5	7-1	860
NAS6605-5	7-20	60	NK500-8-A/R	11-18	140
NAS6605-52	7-20	330	NK-500-8R6	4-1	150
NAS6605-56	7-20	300	NK500-8-X	12-4	310
NAS6605D11	8-20	180	NK501-10-6	11-18	135
NAS6605D11	8-4	200	NK501-10-6	12-4	260
NAS6605D11	8-5	520	NK509-8R6	12-11	130
NAS6605D11	8-6A	160	NK-510-10R10	4-1	250
NAS6605D13	8-3	20	NK525-1032R12	7-5	650
NAS6605D13	8-5	510	NK525-10R10	3-24	40
NAS6605D15	8-5A	90	NK525-10R12	3-24	40
NAS6605D21	8-4	140	NK525-10R12	7-5	980
NAS6605D29	5-1	400	NK525-832R10	7-5	800
NAS6605D9	8-5	430	NK-525-8R8	7-11	350
NAS6605D9	12-5	320	NO NUMBER	11-15	65
NAS6605H7	7-13	90	NO NUMBER	11-1	20
NAS6605H9	7-13	60	NO NUMBER	11-3	240
NAS6606D25	8-5A	60	NP138BS1032-N-8Z	12-12	100
NAS6607-5	12-13	350	NP500-456-7	3-20	380
NAS6607-5	12-9	10	NP500-456-7	3-20A	380

ENSTROM F-28/280 SERIES ILLUSTRATED PARTS CATALOG

PART NUMBER INDEX

Part Number	Figure	Item	Part Number	Figure	Item
NP500-456-7	3-20B	380	QS200-M24S	3-5A	40
NP500-456-7	3-22	160	QS200-M24S	3-5A	60
NP500-465-7	3-23	160	QS200-M28S	10-4	380
NP500-8R5	4-1	155	QS200-M40S	10-3	18
NP500-8R6	4-1	150	QS200-M40S	10-4	370
NP500-8R6	4-2	220	QS200-M40S	10-4	40
NP500-8R8	4-2	30	QS200-M40S	3-22	200
NP500-8-X	12-4	310	QS-200-M40S	10-2	24
NP501-10-6	12-4	260	QS200M44S	10-2	4
NP510-10R10	4-1	250	QS200-M44S	10-3	9
NP525-10R10	3-24	40	QS200-M44S	10-4	110
NP525-10R10	7-4	460	QS200-M44S	10-4	330
NP525-10R12	3-24	40	QS200-M44S	10-4	40
NP525-10R12	7-4	650	QS200-M44S	3-1	110
NPN	6-4	80	QS200-M44S	3-2	60
NS35649-262	6-11	-	R10-E6-X2-V700	6-11	270
NSN 5305-00-984-6208	3-1	60	R10-E6-Y2-V185	6-11	270
NV2-21S	11-22	120	R1224S-28	6-2	10B
NV2C-28V	11-22	140	R35M	6-10	10
NV2C-28V-SH	11-22	-140A	RA4400-6-C	5-5	290
P1-90254	8-16	20	RG24-11M	6-10	10
P1-90254	8-17	20	RG24-11M	6-13	80
P261P-S1AS3CB1K	11-9	-	RG-35	6-10	10
PACMO-APZ2IN	11-8	480	RHB32S	3-31	-
PAI-700	11-5	260	RJ-0370	3-8	150
PAI-700 28V	11-8	475	RJ-1045-2	3-8	110
PGZF0A0180	4-4	90	RJ9700	3-3	220
PLT2S-CO	3-23	-	RST-200	4-2	120
PLT4S-CO	11-7	-	S10P-175	3-24	60
PR1425B1/2	7-5	40	S10P-175	3-24	60
PR1425B2	7-5	40	S10P-175	7-4	370
PS094032PG	3-26	150	S10P-320	3-24	60
PVC-13	11-8	500	S-12B	9-2	36
PWMS-H25-C	6-14	60	S4-200	3-2	113
Q30203DT	12-9	160	S4-200	7-1	550
QS100-M12S	3-3	130	S500-10	11-19	160
QS100-M28	3-28	200	S500-12	11-19	195
QS100-M28S	10-2	19	S500-16	11-19	100
QS100-M52S	3-5	110	S500-3	11-19	210
QS200-M10S	3-5	30	S500-4	11-19	75

ENSTROM F-28/280 SERIES ILLUSTRATED PARTS CATALOG

PART NUMBER INDEX

Part Number	Figure	Item	Part Number	Figure	Item
S500-6	11-19	200	SST1M-MP	6-12	100
S-50MP	5-6	50	SST1M-MP	11-17	190
S6P-270	7-4	50	SST25-MP	8-20	240
S83BZ-2	12-1	90	SST25-MP	8-5	580
S8P-150	11-20	110	SST2S-MP	11-7	840
S8P-150	7-10	220	SST2S-MP	11-8	385
S8P150	9-3	310	SST2S-MP	11-9	295
S8P150	9-4	270	SST2S-MP	11-16	150
S8P270	9-3	310	SST2S-MP	11-17	210
S8P270	9-4	270	STD-1410	3-27	–
SAW4204-15-123	6-1	20	STD-1410	3-28	170
SAZ-4201E	6-2	30	STD-2233	3-28	160
SAZ-4401	6-2	30	STD-2233	3-28	170
SAZ-4401-1	6-13	170	STD-35	3-27	–
SAZ-4401-1	6-2	30	STD-35	3-28	150
SC616NJ	6-11	130	STD-475	3-27	–
SC628ANPR	6-11	130	STD-475	3-28	160
SCEET7	3-5A	50	SUPER 77	9-4	–
SCEET7	3-5A	80	SY-0211	9-2	33
SE12PFR	11-22	100	T14BH517BC	11-5	–
SH-131	8-17	240	TIGK54-15-RD-A	11-6	510
SJ-3501	11-20	130	TIGK54-15-WH-A	11-6	500
SL1N-4	12-9	140	TIGK54-1S-RD-A	11-5	160A
SL61N-5F	12-13	170	TIGK54-1S-WH-A	11-5	160B
SL61N-5P	12-13	170	TIGM54-1C-RD-A	11-2	10
SL61N-5P	12-10	30	TIGM54-1C-RD-A	11-3	10
SL61N-5P	12-11	260	TIGM54-1C-WH-A	11-2	–20A
SL61N-5P	12-12	160	TIGM54-1C-WH-A	11-3	–20A
SL61W-4	12-9	150	TILA64-1C-RD-A	11-2	–10A
SL61W-5P	12-13	180	TILA64-1C-WH-A	11-2	20
SL61W-5P	12-10	20	TILA64-1C-WH-A	11-3	20
SL61W-5P	12-11	250	TS-023	12-7	70
SL61W-5P	12-12	170	TS-023	12-8	100
SLN-3045	5-4	350	TS-023	12-8	130
SLW-3045	5-4	–	TS-023	12-5	–
SST1.5I-M	12-2	130	TS-023	12-5	580
SST1.5I-MP	11-7	850	U16082-H61	11-4	40
SST1.5I-MP	11-8	390	UI-5934-1	11-5	60
SST1.5I-MP	11-9	300	UI5934-3	11-6	120
SST1.5I-MP	11-17	200	UI6082-H61	11-1	150

ENSTROM F-28/280 SERIES ILLUSTRATED PARTS CATALOG

PART NUMBER INDEX

Part Number	Figure	Item	Part Number	Figure	Item
V3-1	8-9	50	W97CSX-2	6-7	190
V3-1	8-10	50	WC-22-6	4-3	100
VC-3	5-2	–	WP-22-6	4-3	110
VC-3	12-5	–	X1333HT	7-4	230
VH-375	5-6	246	X-142	4-2	–
VH-75	4-2.1	170	X1543HT	7-6	-280
VSF-7203	6-1	90	X-1567	7-20	–
VSF-7403T	6-2	10	X-16799	6-1	140
W-09	4-1	190	X-16799	6-2	50
W-09	4-3	20	Y9485	11-8	180
W-1284-G	6-6	120A	Y9485	3-2	–
W-1284-R	6-6	120	Y9485	11-7	60
W-1290-14	6-6	390	Y9485	7-4	510
W-1290-28	6-6	390	Z99R6	8-9	280
W1819-020	12-5	–	Z99R6	8-10	280
W1819-020	12-8	110	Z9R4X3	8-9	170
W1819-020	8-17	220	Z9R4X3	8-10	170
W33-7516-10ET-1	11-5	320	ZX-10204	7-4	230

ENSTROM F-28/280 SERIES ILLUSTRATED PARTS CATALOG

INTENTIONALLY LEFT BLANK

ENSTROM F-28/280 SERIES ILLUSTRATED PARTS CATALOG

FIGURE 3-3. TURBOCHARGER INDUCTION SYSTEM

ITEM NUMBER	PART NUMBER	DESCRIPTION	QTY PER ASSY	MODELS AFFECTED						
				F-28A	280	F-28C	280C	F-28F	280F	280FX
10	28-123022-11	. Mount Bracket	1			X	X	X	X	X
20	AN75A5	. Bolt	2			X	X	X	X	X
30	AN960-516	. Washer	14			X	X	X	X	X
40	28-123019-1	. Elbow Adapter Assembly	1			X	X	X	X	X
50	AN74A11	. Bolt	2			X	X	X	X	X
60	ECD050-11	. Washer	2			X	X	X	X	X
60	1/4 Harper	. Washer (Superseded by ECD050-11)	2			X	X	X	X	X
70●	28-123007-11	. Spacer	2			X	X	X	X	X
70	28-123007-1	. Spacer (Superseded by 28-123007-11)	2			X	X	X	X	X
80●	28-123009-17	. Washer	4			X	X	X	X	X
80	28-123009-11	. Washer (Superseded by 28-123009-17)	4			X	X	X	X	X
90●	28-123009-15	. Shock Mount Tube	2			X	X	X	X	X
90	28-123009-13	. Shock Mount Tube (Superseded by 28-123009-15)	2			X	X	X	X	X
100	AN960-416L	. Washer	4			X	X	X	X	X
110	AN74A5	. Bolt	2			X	X	X	X	X
120‡	28-181007-5	. Blast Tube Assembly	1			X	X	X	X	X
120	28-181007-3	. Blast Tube Assembly (Superseded by 28-181007-5)	1			X	X	X	X	X
120	28-181007-1	. Blast Tube Assembly (Superseded by 28-181007-3)	1			X	X	X	X	X
130	NAS1922-0100-3	. Clamp	2			X	X	X	X	X
130	QS100-M12S	. Clamp (Replaced by NAS1922-0100-3)	2			X	X	X	X	X
130	AN737TW34-38	. Clamp (Obsolete)	2			X	X	X	X	X
140	28-181006-11	. Hose	1			X	X	X	X	X
150**	66224	. Gasket	2			X	X	X	X	X
160†	28-12575-1	. Adapter Assembly	1			X	X	X	X	X
160*	037360-161	. Adapter Assembly (Superseded by 28-12575-1)	1			X	X	X	X	X

ENSTROM F-28/280 SERIES ILLUSTRATED PARTS CATALOG

FIGURE 3-3. TURBOCHARGER INDUCTION SYSTEM

ITEM NUMBER	PART NUMBER	DESCRIPTION	QTY PER ASSY	MODELS AFFECTED						
				F-28A	280	F-28C	280C	F-28F	280F	280FX
160	037360-115	. Adapter Assembly (Superseded by 037360-161)	1			X	X	X	X	X
170	AN5-11A	. Bolt	4			X	X	X	X	X
180	MS20500-524	. Nut	4			X	X	X	X	X
180	AN363-524	. Nut (Superseded by MS20500-524)	4			X	X	X	X	X
180	MS21045L5	. Nut (Superseded by AN363-524)	4			X	X	X	X	X
190**	LW-13476	. Gasket	1			X	X	X	X	X
190	28-12360-1	. Gasket (Alternate)	1			X	X	X	X	X
200	600700-0000	. Turbocharger	1			X	X	X	X	X
200●	3BT5EE10J2	. Turbocharger (Superseded by 600700-0000)	1			X	X	X	X	X
200	103574-00	. Turbocharger (Superseded by 3BT5EE10J2)	1			X	X	X	X	X
-	CF600391-00	. . Clamp (supplied with turbocharger)	1			X	X	X	X	X
-	MS20995C32	. . Safety Wire (doubled)	A/R			X	X	X	X	X
210	NAS1352-3H8P	. Cap Screw	6			X	X	X	X	X
210	AN503-10-8	. Screw (Superseded by NAS1352-3H8P)	6			X	X	X	X	X
220	RJ9700	. Turbo Blanket	1			X	X	X	X	X
230**	LW-14485	. Gasket	2			X	X	X	X	X
240**	LW-13464	. Clamp	1			X	X	X	X	X
-	MS20995C32	. . Safety Wire (doubled)	A/R			X	X	X	X	X
250	28-12162-1	. Clamp Assembly	1			X	X	X	X	X
-	MS20995C32	. . Safety Wire (doubled)	A/R			X	X	X	X	X
260	ECD111-11	. Clamp	2			X	X	X	X	X
260	MS35842-13	. Clamp (Alternate)	2			X	X	X	X	X
260	20040S	. Clamp (Alternate)	2			X	X	X	X	X
270	ENS1001	. Sleeve	1			X	X	X	X	X
280††	037360-161	. Induction Tube Assembly	1			X	X	X	X	X

ENSTROM F-28/280 SERIES ILLUSTRATED PARTS CATALOG

FIGURE 3-20. ENGINE FAN SHROUD ASSEMBLY
F-28F S/N 826 and 280FX S/N 2135 and Subsequent

ITEM NUMBER	PART NUMBER	DESCRIPTION	QTY PER ASSY	MODELS AFFECTED						
				F-28A	280	F-28C	280C	F-28F	280F	280FX
-	MS21069-06	. . Nut Plate	1					X		X
-	NAS1097AD3-4	. . Rivet	2					X		X
-	280-127505-17	. . Stub Heat Duct	1					X		X
-	MS20470AD3-4	. . Rivet, Solid, 3/32" X 0.250"	4					X		X
-	NAS1097AD3-3	. . Rivet	4					X		X
320	28-12617-1	. Plate Baffle Assembly	1					X		X
-	28-12617-14	. . Seal Strip	1					X		X
◆	G-89	. . . Fabric: Fire Curtain, 0.057" Thick (In square yards)	0.002					X		X
-	28-12617-13	. . Baffle	1					X		X
-	MS20470A3-3	. . Rivet, Solid, 3/32" X 0.188"	6					X		X
-	NAS1149FN316P	. . Washer: Flat, #3 (0.016") Light	6					X		X
-	AN960-3	. . Washer (Superseded by NAS 1149FN316P)	6					X		X
-	MS21069-06	. . Nut Plate	5					X		X
-	NAS1097AD3-3	. . Rivet, Solid, 3/32" X 3/16"	10					X		X
-	MS20426AD3-3	. . Rivet, Solid, 3/32" X 3/16" (Replaced by NAS1097AD3-3)	10					X		X
330	28-126008-3	. Baffle Plate Assembly	1					X		X
330	28-126008-1	. Baffle Plate Assembly (Superseded by 28-126008-3)	1					X		X
-	28-126008-13	. . Baffle Plate	1					X		X
-	82-35-302-15	. . Receptacle, Spring, Leaf #82 (Used with 28-126008-1)	1					X		X
-	MS21069-06	. . Nut Plate	3					X		X
-	NAS1097AD3-3	. . Rivet	6					X		X
-	NAS1097AD3-4	. . Rivet: Solid, 3/32" X 1/4" (Used with 28-126008-1)	10					X		X
-	28-12630-11	. . Tab Support	1					X		X
-	28-12608-4	. . Tab Support (Replaced with 28-12630-11)	1					X		X
-	28-12621-1	. . Bracket Cover	1					X		X
-	28-181008-1	. . Ducting Stub	1					X		X

ENSTROM F-28/280 SERIES ILLUSTRATED PARTS CATALOG

FIGURE 3-20. ENGINE FAN SHROUD ASSEMBLY
F-28F S/N 826 and 280FX S/N 2135 and Subsequent

ITEM NUMBER	PART NUMBER	DESCRIPTION	QTY PER ASSY	MODELS AFFECTED						
				F-28A	280	F-28C	280C	F-28F	280F	280FX
340	AN515-6-6	. Screw, Machine (RH), 6-32 X 0.375"	A/R					X		X
350	NAS1149FN632P	. Washer, Flat #6 Bolt Size	A/R					X		X
350	AN960-6	. Washer (Superseded by NAS1149FN632P)	A/R					X		X
360	MS35338-41	. Washer, Lock, #6 (0.031")	A/R					X		X
360	AN935-6	. Lock Washer (Superseded by MS35338-41)	A/R					X		X
370	MS35649-262	. Nut, Hex, 6-32 Light	A/R					X		X
370	AN340-632	. Nut (Superseded by MS35649-262)	A/R					X		X
380	NP500-456-7	. Screw, 1/4-20 X 7/16"	3					X		X
380	NK500-416-7	. Screw (Superseded by NP500-456-7)	3					X		X
390	NAS1149F0432P	. Washer: Flat, 1/4" (0.032) Light	3					X		X
390	AN960-416L	. Washer (Superseded by NAS1149F0432P)	3					X		X
400	AN502-10-8	. Screw	3					X		X
410	MS35333-39	. Lock Washer	3					X		X
410	AN936A10	. Lock Washer (Superseded by MS35333-39)	3					X		X
420*	65614	. Plug, Attaching	3					X		X
430	MS35206-244	. Screw, Machine (RH), 8-32 X 0.438"	5					X		X
430	AN515-8R7	. Screw (Superseded by MS35206-244)	5					X		X
440	NAS1149FN816P	. Washer: Flat, #8" (0.016") Light	5					X		X
440	AN960-8L	. Washer (Superseded by NAS1149FN816P)	5					X		X
450	AN3-3A	. Bolt, Mach, 10-32 X 0.469"	A/R					X		X
460	NAS1149F0432P	. Washer, Flat, #10 (0.032") Light	A/R					X		X
460	AN960-10L	. Washer (Superseded by NAS1149F0332P)	A/R					X		X
470	AN3-4A	. Bolt: Machine, 10-32 X 0.531"	1					X		X

ENSTROM F-28/280 SERIES ILLUSTRATED PARTS CATALOG

FIGURE 3-20. ENGINE FAN SHROUD ASSEMBLY
F-28F S/N 826 and 280FX S/N 2135 and Subsequent

ITEM NUMBER	PART NUMBER	DESCRIPTION	QTY PER ASSY	MODELS AFFECTED						
				F-28A	280	F-28C	280C	F-28F	280F	280FX
480	28-12619-1	. Strut Assembly	1					X		X
-	28-12619-4	. . Bracket End Lower	1					X		X
-	28-12619-5	. . Plate, End, Fan Shroud Strut	1					X		X
490	28-12686-11	. Strut	1					X		X
500	NAS6603-4	. Bolt	1					X		X
500	AN3-5A	. Bolt, Mach, 10-32 X 0.656" (Superseded by NAS6603-4)	1					X		X
510	NAS1149F0363P	. Washer, Flat, #10 (0.063")	2					X		X
510	AN960-10	. Washer (Superseded by NAS1149F0363P)	2					X		X
520	MS21044N3	. Nut, Self-Locking	1					X		X
520	AN365-1032A	. Nut (Superseded by MS21044N3)	1					X		X
530	AN503-416-10	. Screw, Machine (Flh), 1/4-20 X 0.625"	6					X		X
530	AN503-416-28	. Screw, Machine (Flh), 1/4-20 X 1.750"	2					X		X
530	AN503-416-10	. Screw, Machine (Flh), 1/4-20 X 0.625" (No Auxiliary Cooler)	8					X		X
540	NAS1149F0432P	. Washer: Flat, 1/4" (0.032") Light	8					X		X
540	AN960-416L	. Washer (Superseded by NAS1149F0432P)	8					X		X
550	NAS43HT4-64	. Spacer	2					X		X
560	MS21919WCJ12	. Clamp, Loop, 3/4" Cushioned	3					X		X
565	AN526-1032R8	. Screw	1					X		X
570	MS35206-245	. Screw: Mach (Ph), 8-32 X 0.500"	8					X		X
570	AN515-8R8	. Screw (Superseded by MS35206- 245)	8					X		X
575	NAS1149F0332P	. Washer	2					X		X
580	NAS1149FN816P	. Washer: Flat, #8" (0.016) Light	16					X		X
580	AN960-8L	. Washer (Superseded by NAS1149FN816P)	16					X		X
585	MS35338-43	. Lock Washer	1					X		X
585	AN935-10	. Lock Washer (Alternate)	1					X		X

ENSTROM F-28/280 SERIES ILLUSTRATED PARTS CATALOG

FIGURE 3-20. ENGINE FAN SHROUD ASSEMBLY
F-28F S/N 826 and 280FX S/N 2135 and Subsequent

ITEM NUMBER	PART NUMBER	DESCRIPTION	QTY PER ASSY	MODELS AFFECTED						
				F-28A	280	F-28C	280C	F-28F	280F	280FX
590	MS35338-42	. Washer: Lock, 0.040" #8 Light	7					X		X
590	AN935-8	. Lock Washer (Superseded by MS35338-42)	7					X		X
595	MS35650-302	. Nut	1					X		X
595	AN345-10	. Nut (Superseded by MS35650-302)	1					X		X
600	MS35649-282	. Nut: Hex, 8-32 Unc-2b Light	7					X		X
600	AN340-8	. Nut (Superseded by MS35649-282)	7					X		X
610	280-126001-69	. Bracket, Clamp, Support	3					X		X
620	AN742-F6	. Clamp	1					X		X
630	4508-2	. Tape: Foam, 2" W (0.125" T) Black	82"					X		X

* Obtain from a Lycoming distributor.

** Effective: F-28F/280FX S/N 833/2170 and subsequent; Eligibility: F-28F/280FX S/N 826/2135 and subsequent.

◀ Effective: F-28F/280FX S/N S/N 833/2170 and subsequent; Eligibility: F-28F/280FX S/N 826/2135 and subsequent.

≡ See Appendix A for equivalent part number information; See Appendix B for acceptable substitution.

◆ G88 .057 36 50 Thermo-Chem firewall sheet is an acceptable alternative material.

ENSTROM F-28/280 SERIES ILLUSTRATED PARTS CATALOG

FIGURE 3-23. ENGINE FUEL SYSTEM (C, F MODELS)

ITEM NUMBER	PART NUMBER	DESCRIPTION	QTY PER ASSY	MODELS AFFECTED						
				F-28A	280	F-28C	280C	F-28F	280F	280FX
170	AN960-416L	. Washer	8			X	X	X	X	X
171	48P6	. Filter, RFI	1			X	X	X	X	X
180	AN4-3A	. Bolt	3			X	X	X	X	X
190	MS21083N4	. Nut	7			X	X	X	X	X
190	AN364-428A	. Nut (Superseded by MS21083N4)	7			X	X	X	X	X
200●	MS20822-4	. Elbow	1			X	X	X	X	X
210	28-123018-1	. Line Assembly	1			X	X	X	X	X
220	6-8 C5OX-S	. Elbow	1			X	X	X	X	X
220	849-FSO-06-08	. Adapter (Replaced by 6-8 C5OX-S)	1			X	X	X	X	X
230	28-12462-1	. Hose Assembly	2			X	X	X	X	X
240●	MS20822-6-6	. Elbow	2			X	X	X	X	X
250	G199-105-4	. Fuel Strainer Assembly	1			X	X	X	X	X
260	2212A	. Gasket	2			X	X	X	X	X
270	33-199-916	. Filter	1			X	X	X	X	X
-	33-199-36	. Spring Clip	1			X	X	X	X	X
280	MS20913-1	. Plug	1			X	X	X	X	X
290●	AN4-13A	. Bolt	2			X	X	X	X	X
300	NAS1149F0463P	. Washer	4			X	X	X	X	X
300	AN960-416	. Washer (Superseded by NAS1149F0463P)	4			X	X	X	X	X
310	CAV-110R	. Drain Valve	1			X	X	X	X	X
320	AN816-4D	. Fitting	1			X	X	X	X	X
330	28-12400-910	. Drain Line Assembly	1			X	X	X	X	X
340	28-12461-1	. Hose Assembly	2			X	X	X	X	X
350●	MS51529B6S	. Tee	1			X	X	X	X	X
360	MS28778-6	. O-Ring	1			X	X	X	X	X
370	8190042	. Fuel Pressure Switch	1			X	X	X	X	X
380	MS21919WCJ14	. Clamp	1			X	X	X	X	X
380	MS21919WCJ16	. Clamp (Replaced by MS21919WCJ14)	2			X	X	X	X	X

ENSTROM F-28/280 SERIES ILLUSTRATED PARTS CATALOG

FIGURE 3-23. ENGINE FUEL SYSTEM (C, F MODELS)

ITEM NUMBER	PART NUMBER	DESCRIPTION	QTY PER ASSY	MODELS AFFECTED						
				F-28A	280	F-28C	280C	F-28F	280F	280FX
390	MS21919WCJ10	. Clamp	2			X	X	X	X	X
400●	AN816-6	. Adapter	1			X	X	X	X	X
410	MS20823-6	. Elbow	1			X	X	X	X	X
420●	MS20823-4	. Elbow	1			X	X	X	X	X
430	28-124003-13	. Hose Assembly	1			X	X	X	X	X
440●	AN815-4	. Union	1			X	X	X	X	X
450	28-12146-1	. Line Assembly	1			X	X	X	X	X
460	AN75A41	. Bolt	4			X	X	X	X	X
470	AN960-516	. Washer	4			X	X	X	X	X
470	AN960-516	. Washer	4			X	X	X	X	X
480†	LW-12878-4S260	. Hose Assembly	1			X	X	X	X	X
480	28-12463-1	. Hose Assembly (Superseded by LW-12878-4S260)	1			X	X	X	X	X
481	MS21919WCJ10	. Clamp	1			X	X	X	X	X
482	MS35206-245	. Screw	1			X	X	X	X	X
483	NAS1149FN816P	. Washer	1			X	X	X	X	X
484△●	28-124005-1	. Clip Assembly	1			X	X	X	X	X
490	AN931-12-20	. Grommet	1			X	X	X	X	X
500‡	28-181001-3	. Fuel Pressure Line Assembly	1					X		X
500	28-181001-11	. Fuel Pressure Line	1			X	X	X	X	X
510	MS35489-2	. Grommet	1			X	X	X	X	X
510	AN931-2-9	. Grommet (Superseded by MS35489-2)	1			X	X	X	X	X
–	MS20819-2	. Sleeve	2			X	X	X	X	X
–	AN818-2	. Nut	2			X	X	X	X	X
–	28-12473-11	. Placard	2			X	X	X	X	X
520	AN919-1S	. Reducer	1			X	X	X	X	X
530	28-181002-1	. Fuel Pressure Line Assembly	1			X	X	X	X	X
540**	28-12480-1	. Fuel Strainer Clamp	1					X		X

ENSTROM F-28/280 SERIES ILLUSTRATED PARTS CATALOG

FIGURE 3-23. ENGINE FUEL SYSTEM (C, F MODELS)

ITEM NUMBER	PART NUMBER	DESCRIPTION	QTY PER ASSY	MODELS AFFECTED						
				F-28A	280	F-28C	280C	F-28F	280F	280FX
550**	NAS6603-12	. Bolt	1					X		X
550**	AN3-11A	. Bolt (Superseded by NAS6603-12)	1					X		X
560**●	AN3-14A	. Bolt	1					X		X
570**	NAS1149F0332P	. Washer	4					X		X
570**	AN960-10L	. Washer (Superseded by NAS1149F0332P)	4					X		X
580**	MS21044N3	. Nut	2					X		X
580**	AN365-1032A	. Nut (Superseded by MS21044N3)	2					X		X
-	MS20995C32	. Safety Wire	A/R					X		X
590**	28-12462-3	. Hose Assembly	1					X		X
600**	28-12461-3	. Hose Assembly	2					X		X
610**●	AN914-1D	. Elbow	1					X		X
620**●	CAV-110RV	. Drain Valve (Preferred)	1					X		X
620**●	CAV-110R	. Drain Valve (Acceptable Alternate)	1					X		X
620**●	CAV-110H-U	. Drain Valve (Obsolete)	1					X		X
-	PLT2S-CO	. Cable Tie	1					X		X
630**	28-12133-11	. Hose	1					X		X
640**	CGP-2	. Grommet Strip	A/R					X		X
640**	GS-3	. Grommet Strip (Obsolete)	A/R					X		X
650	951789	. O-ring, Finger Screen Plug	1					X		X
660	02A21376	. Elbow Fitting, Restricted (Engine Driven Fuel Pump)	1					X		X
-	MS28034-1	. Temperature Sensor	1					X		X

* Quantity is five (5) with relocated fuel strainer assembly.

** Used on F-28F, S/N 746 and subsequent; 280FX, S/N 2012 and subsequent. Retrofittable to earlier serial number aircraft.

† Order from your Lycoming Distributor.

ENSTROM F-28/280 SERIES ILLUSTRATED PARTS CATALOG

- ‡ Effectivity F28F S/N 832 – subsequent and 280FX S/N 2142 – subsequent. Retrofittable to F28F S/N 509 – subsequent and 280FX S/N 2001 – subsequent.
- ◆ An O-Ring is supplied when using P/N 6-8 F5OX-S.
- △ The clip assembly installs to the magneto attachment stud.
- ▼ Apply VC-3 Threadmate.
- Apply 83319 Torque Seal, White.

ENSTROM F-28/280 SERIES ILLUSTRATED PARTS CATALOG

INTENTIONALLY LEFT BLANK

ENSTROM F-28/280 SERIES ILLUSTRATED PARTS CATALOG

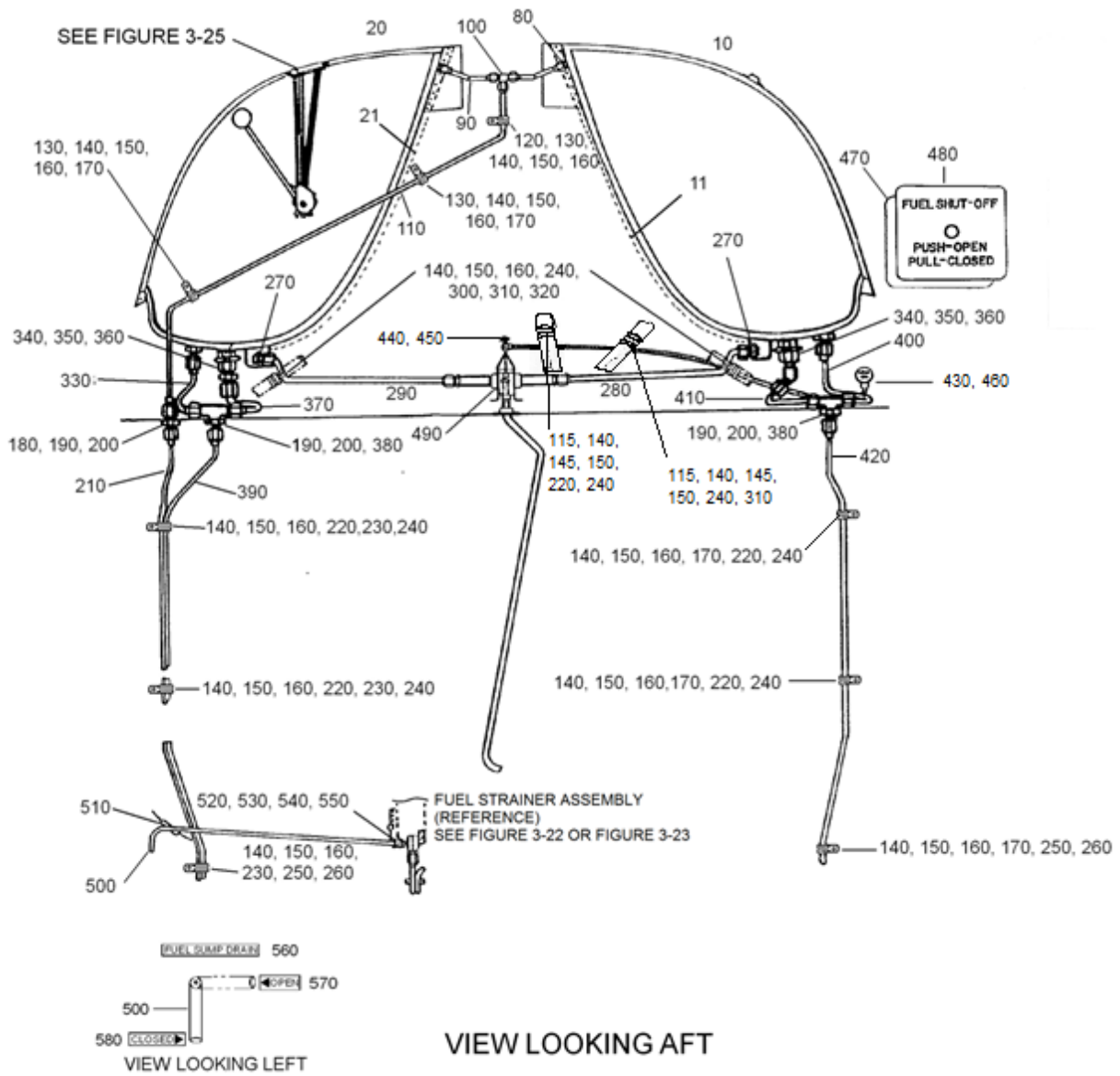


FIGURE 3-24. MAIN FUEL SYSTEM

ENSTROM F-28/280 SERIES ILLUSTRATED PARTS CATALOG

FIGURE 3-28. EXHAUST SYSTEM INSTALLATION (C, F MODELS)

ITEM NUMBER	PART NUMBER	DESCRIPTION	QTY PER ASSY	MODELS AFFECTED						
				F-28A	280	F-28C	280C	F-28F	280F	280FX
-	28-12545-3	Exhaust System Assembly	REF					X	X	X
-	037360-004	.. Exhaust System (Replaced by 28-12545-3)	1			X	X	X	X	X
10	28-12550-109	.. Exhaust Weldment, Riser #2 & #4	1					X		X
10	EL-037360-107	.. Exhaust Riser #2 (Replaced by 28-12550-109)	1			X	X	X	X	X
20	28-12550-5	.. Exhaust Riser #4	1					X		X
20	EL-037360-202	.. Exhaust Riser #4 (Replaced by 28-12550-5)	1			X	X	X	X	X
30▲	28-12546-11	.. Clamp	2					X		X
30	EL-099005-401	.. Clamp Half (Replaced by 28-12546-11)	2			X	X	X	X	X
30	EL-037360-401	.. Clamp Half (Superseded by EL-099005-401)	2			X	X	X	X	X
40	AN3-4A	.. Bolt	4			X	X	X	X	X
40	AN3C4A	.. Bolt (Replaced by AN3-4A)	4			X	X	X	X	X
-	NAS1149F0363P	.. Washer	8			X	X	X	X	X
-	AN960-10	.. Washer (Alternate)	8			X	X	X	X	X
50	MS21042-3	.. Nut	4			X	X	X	X	X
50	AN365-1032C	.. Nut (Superseded by MS21042-3)	4			X	X	X	X	X
60	28-12550-113	.. Shroud Assembly	1					X		X
60	EL-037360-113	.. Shroud Assembly (Replaced by 28-12550-113)	1			X	X	X	X	X
-	C6352-10Z-1	... Tinnerman Nut	6			X	X	X	X	X
-	C-6352-10Z	... Tinnerman Nut (Replaced by C6352-10Z-1)	6			X	X	X	X	X
-	MS51861-45C	... Screw	6			X	X	X	X	X
-	MS51861-35	... Screw (Replaced by MS51861-45C)	6			X	X	X	X	X
70	EL-037360-110	.. Collector, Left Side	1			X	X			
70	28-12550-115	.. Exhaust Weldment, Riser #1 & #3	1					X		X

ENSTROM F-28/280 SERIES ILLUSTRATED PARTS CATALOG

FIGURE 3-28. EXHAUST SYSTEM INSTALLATION (C, F MODELS)

ITEM NUMBER	PART NUMBER	DESCRIPTION	QTY PER ASSY	MODELS AFFECTED						
				F-28A	280	F-28C	280C	F-28F	280F	280FX
70	EL-037360-124	. . Collector Assembly (Replaced by 28-12550-115)	1					X	X	X
70	EL-037360-111	. . Collector, Left Side (Obsolete)	1					X	X	X
80	28-12550-3	. . Exhaust Riser #1	1					X		X
80	EL-037360-206	. . Exhaust Riser #1 (Replaced by 28-12550-3)	1			X	X	X	X	X
90▲	28-12546-11	. . Clamp	2					X		X
90	EL-099005-401	. . Clamp Half (Replaced by 28-12546-11)	2			X	X	X	X	X
90	EL-037360-401	. . Clamp Half (Superseded by EL-099005-401)	2			X	X			
100	AN3-4A	. . Bolt	4			X	X	X	X	X
100	AN3C4A	. . Bolt (Replaced by AN3-4A)	4			X	X	X	X	X
110	MS21042-3	. . Nut	4			X	X			
110	AN365-1032C	. . Nut (Superseded by MS21042-3)	4			X	X			
110	MS21042-3	. . Nut	4					X	X	X
110	AN365-1032C	. . Nut (Superseded by MS21042-3)	4					X	X	X
120	28-12550-101	. . Turbo Outlet Weldment	1					X		X
120	EL-037360-112	. . Turbo Inlet (Replaced by 28-12550-101)	1			X	X	X	X	X
130	EL-037360-116	. . Tail Pipe Assembly	1			X	X			
130	28-12561-1	. . Exhaust Tail Pipe Assembly	1					X		X
130	EL-037360-123	. . Tail Pipe Assembly (Replaced by 28-12561-1)	1					X	X	X
130	28-12577-1	. Muffler Assembly (Optional)	1					X	X	X
130	ENX-0001	. Muffler Assembly (Optional) Superseded by 28-12577-1	1					X	X	X
140*	77611	. Gasket Exhaust Flange	4			X	X	X	X	X
141*	LW-14485	. Gasket	A/R			X	X	X	X	X
150*	STD-35	. Washer	8			X	X	X	X	X
160/170*	STD-2233	. Lock Nut	8			X	X	X	X	X

ENSTROM F-28/280 SERIES ILLUSTRATED PARTS CATALOG

SECTION 4

MAIN ROTOR SYSTEM

TABLE OF CONTENTS

	Cover Page	4-1
	Table of Contents	4-1
4-1	Main Rotor Hub Assembly	4-2
4-2	Main Rotor Blade and Retention Assembly	4-6
I 4-2.1	Retention Assembly (STC SR03465CH)	4-10.1
4-3	Flapping Pin and Damper Installation	4-11
4-4	Hydraulic Damper Assembly (28-14375-101)	4-13

ENSTROM F-28/280 SERIES ILLUSTRATED PARTS CATALOG

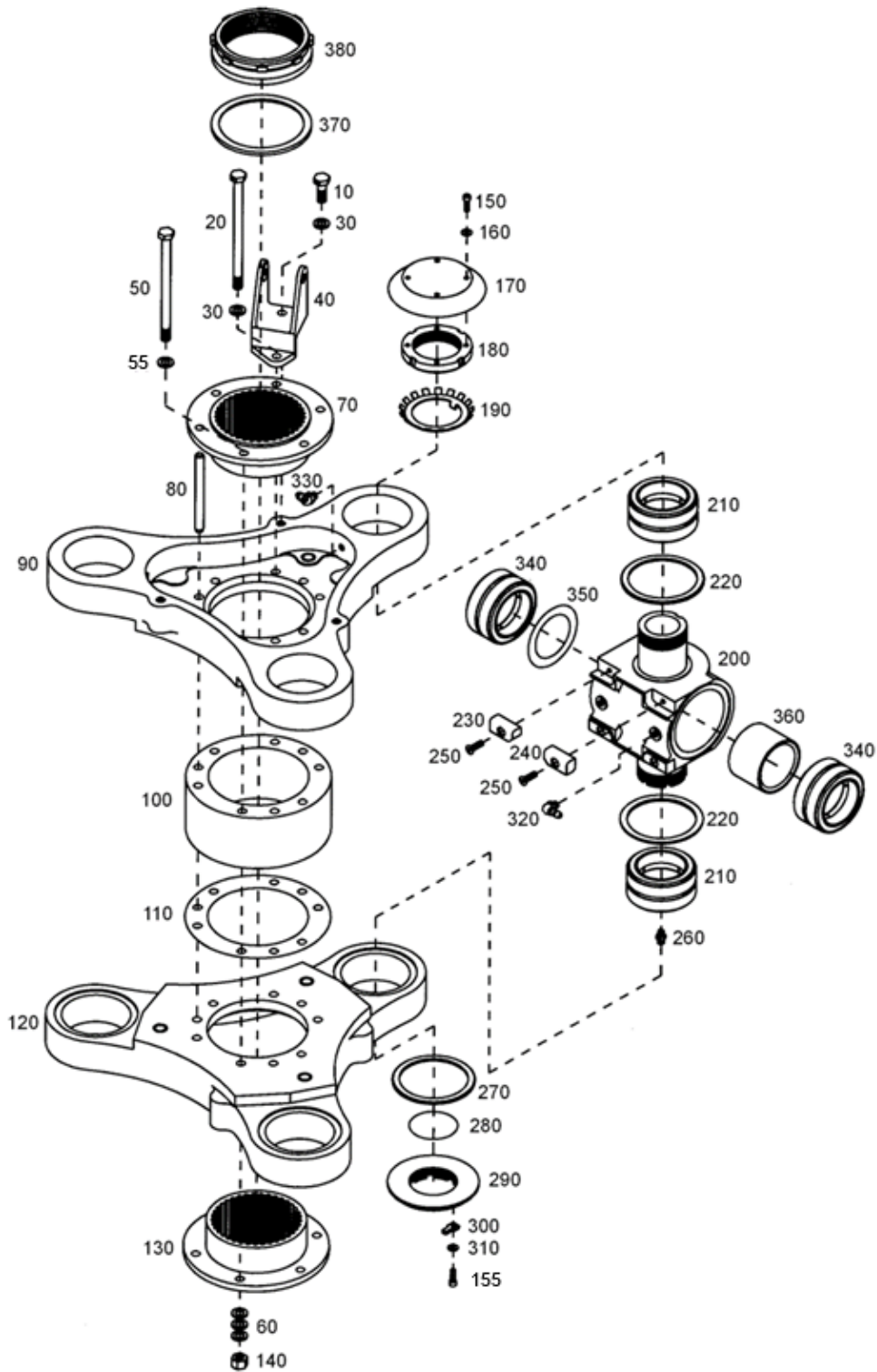


FIGURE 4-1. MAIN ROTOR HUB ASSEMBLY

ENSTROM F-28/280 SERIES ILLUSTRATED PARTS CATALOG

FIGURE 4-1. MAIN ROTOR HUB ASSEMBLY

ITEM NUMBER	PART NUMBER	DESCRIPTION	QTY PER ASSY	MODELS AFFECTED						
				F-28A	280	F-28C	280C	F-28F	280F	280FX
—●	28-14219-7	. Hub Assembly (Center)	1	X	X	X	X	X	X	X
—	28-14219-3	. Hub Assembly (Center) (Superseded by 28-14219-7)	1	X	X	X	X	X	X	X
10	AN5H-6A	. . Bolt	3	X	X	X	X	X	X	X
20●●	AN5H-45A	. . Bolt	3	X	X	X	X	X	X	X
20	AN5H-46A	. . Bolt (Superseded by AN5H-45A)	3	X	X	X	X	X	X	X
30●●	NAS1149D0563H	. . Washer	9	X	X	X	X	X	X	X
30	AN960D516	. . Washer (Superseded by NAS1149D0563H)	6	X	X	X	X	X	X	X
40	28-14202-1	. . Bracket Assembly	3	X	X	X	X	X	X	X
—	28-14250-1	. . . Bushing	2	X	X	X	X	X	X	X
50●●	AN5-43A	. . Bolt	3	X	X	X	X	X	X	X
50	AN5-44A	. . Bolt (Superseded by AN5-43A)	3	X	X	X	X	X	X	X
55	NAS1149F0532P	. . Washer	3	X	X	X	X	X	X	X
60●●	NAS1149F0563P	. . Washer	6	X	X	X	X	X	X	X
60	AN960-516	. . Washer (Superseded by NAS1149F0563P)	18	X	X	X	X	X	X	X
70	28-14224-1	. . Shaft Adapter (Upper)	1	X	X	X	X	X	X	X
80	28-14244-1	. . Pin	3	X	X	X	X	X	X	X
90†	28-14280-5	. . Hub Plate Assembly (Upper)	1	X	X	X	X	X	X	X
90	28-14280-3	. . Hub Plate Assembly (Upper) (Superseded by 28-14280-5)	1	X	X	X	X	X	X	X
90	28-14280-1	. . Plate Assembly (Upper) (Superseded by 28-14280-3)	1	X	X	X	X	X	X	X
100	28-14223-1	. . Hub Spacer	1	X	X	X	X	X	X	X
110	28-14290-3	. . Shim (0.001")	A/R	X	X	X	X	X	X	X
110	28-14290-5	. . Shim (0.002")	A/R	X	X	X	X	X	X	X
110	28-14290-7	. . Shim (0.004")	A/R	X	X	X	X	X	X	X
110	28-14290-9	. . Shim (0.0075")	A/R	X	X	X	X	X	X	X
120†	28-14281-5	. . Hub Plate Assembly (Lower)	1	X	X	X	X	X	X	X

ENSTROM F-28/280 SERIES ILLUSTRATED PARTS CATALOG

FIGURE 4-1. MAIN ROTOR HUB ASSEMBLY

ITEM NUMBER	PART NUMBER	DESCRIPTION	QTY PER ASSY	MODELS AFFECTED						
				F-28A	280	F-28C	280C	F-28F	280F	280FX
120	28-14281-3	. . Hub Plate Assembly (Lower) (Superseded by 28-14281-5)	1	X	X	X	X	X	X	X
120	28-14281-1R	. . Plate Assembly (Lower) (Superseded by 28-14281-3)	1	X	X	X	X	X	X	X
130	28-14224-3	. . Shaft Adapter (Lower)	1	X	X	X	X	X	X	X
140	MS21044N5	. . Nut	6	X	X	X	X	X	X	X
140	AN365-524A	. . Nut (Superseded by MS21044N5)	6	X	X	X	X	X	X	X
150 ≡	NP500-8R6	. . Screw	12	X	X	X	X	X	X	X
150 ≡	NK-500-8R6	. . Screw (Superseded by NP500- 8R6)	15	X	X	X	X	X	X	X
155	NP500-8R5	. . Screw	3	X	X	X	X	X	X	X
160	NAS1149DN816J	. . Washer	12	X	X	X	X	X	X	X
160	AN960D8	. . Washer (Superseded by NAS1149DN816J)	12	X	X	X	X	X	X	X
170	28-14228-1	. . Dust Cover	3	X	X	X	X	X	X	X
170	28-14228-15	. . Dust Cover (Superseded by 28- 14228-1)	3	X	X	X	X	X	X	X
180	28-14227-1	. . Lock Nut	3	X	X	X	X	X	X	X
190	W-09	. . Lock Washer	3	X	X	X	X	X	X	X
-	28-14219-901	. . Universal Block Assembly	3	X	X	X	X	X	X	X
200 ▲▶	28-14117-11	. . . Block	1	X	X	X	X	X	X	X
200 ▲	28-14117-1	. . . Block (Superseded by 28- 14117-11)	1	X	X	X	X	X	X	X
210	ECD092-1	. . . Bearing	2	X	X	X	X	X	X	X
210 ††	28NBC2040YZP	. . . Bearing (Alternate)	2	X	X	X	X	X	X	X
220	28-14236-1	. . . Washer	2	X	X	X	X	X	X	X
230 ▲	28-14251-1	. . . Pad – Stop LH	2	X	X	X	X	X	X	X
240 ▲	28-14251-2	. . . Pad – Stop RH	2	X	X	X	X	X	X	X
250	NP510-10R10	. . . Screw	4	X	X	X	X	X	X	X
250	NK-510-10R10	. . . Screw (Superseded by NP510- 10R10)	4	X	X	X	X	X	X	X

ENSTROM F-28/280 SERIES ILLUSTRATED PARTS CATALOG

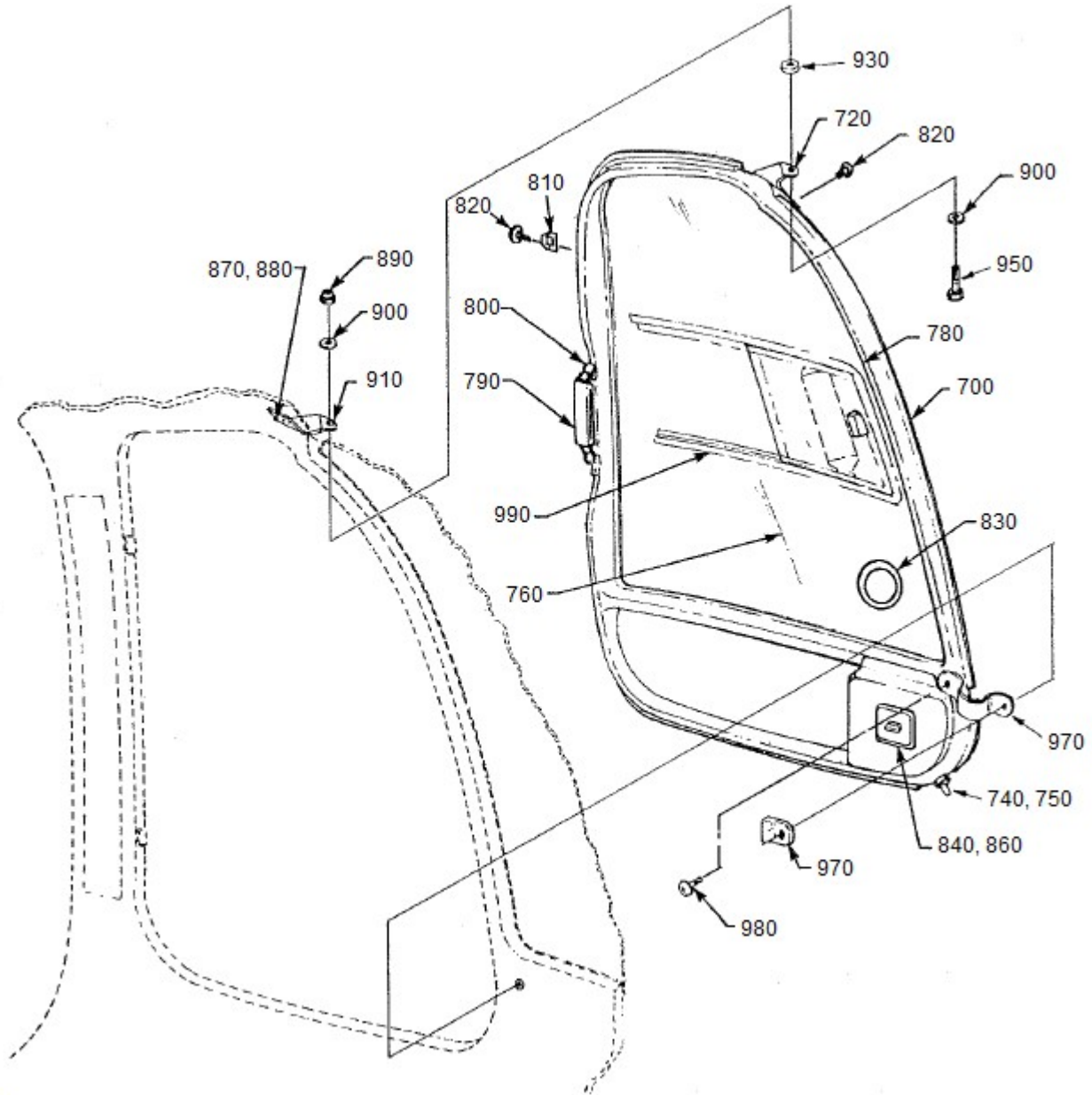
FIGURE 4-1. MAIN ROTOR HUB ASSEMBLY

ITEM NUMBER	PART NUMBER	DESCRIPTION	QTY PER ASSY	MODELS AFFECTED						
				F-28A	280	F-28C	280C	F-28F	280F	280FX
260	H1641Z3	. . . Grease Fitting	1	X	X	X	X	X	X	X
260	1641-B	. . . Grease Fitting (Alternate)	1	X	X	X	X	X	X	X
260	MS15001-1	. . . Fitting (Alternate to 1641-B)	1	X	X	X	X	X	X	X
270	28-14236-1	. . Washer	3	X	X	X	X	X	X	X
280	28-14006-3	. . Shim (0.001")	A/R	X	X	X	X	X	X	X
280	28-14006-5	. . Shim (0.002")	A/R	X	X	X	X	X	X	X
280	28-14006-7	. . Shim (0.004")	A/R	X	X	X	X	X	X	X
280	28-14006-9	. . Shim (0.005")	A/R	X	X	X	X	X	X	X
280	28-14006-11	. . Shim (0.010")	A/R	X	X	X	X	X	X	X
280	28-14006-13	. . Shim (0.015")	A/R	X	X	X	X	X	X	X
280	28-14006-15	. . Shim (0.020")	A/R	X	X	X	X	X	X	X
280	28-14006-17	. . Shim (0.025")	A/R	X	X	X	X	X	X	X
280	28-14006-19	. . Shim (0.030")	A/R	X	X	X	X	X	X	X
290▲	28-14256-1	. . Nut	3	X	X	X	X	X	X	X
300	28-14257-1	. . Key	3	X	X	X	X	X	X	X
310	NAS1149FN832P	. . Washer	3	X	X	X	X	X	X	X
310	AN960-8L	. . Washer (Superseded by NAS1149FN832P)	3	X	X	X	X	X	X	X
320	H1911Z3	. . Fitting, Grease	6	X	X	X	X	X	X	X
320	1911-B1	. . Fitting, Grease (Alternate)	6	X	X	X	X	X	X	X
330	H1637Z3	. . Fitting, Grease	6	X	X	X	X	X	X	X
330	1637-B1	. . Fitting, Grease (Alternate)	6	X	X	X	X	X	X	X
340††	28NBC2040YZP	. Bearing	6	X	X	X	X	X	X	X
350	28-14009-1	. Shim (0.001")	A/R	X	X	X	X	X	X	X
350	28-14009-2	. Shim (0.002")	A/R	X	X	X	X	X	X	X
350	28-14009-3	. Shim (0.003")	A/R	X	X	X	X	X	X	X
350	28-14009-5	. Shim (0.005")	A/R	X	X	X	X	X	X	X
360▲	28-14235-1	. Spacer	3	X	X	X	X	X	X	X
370▲	28-14008-1	. Spacer	1	X	X	X	X	X	X	X
380▲	28-14004-1	. Nut	1	X	X	X	X	X	X	X

ENSTROM F-28/280 SERIES ILLUSTRATED PARTS CATALOG

- † Effectivity F28F S/N 819, 280FX S/N 2126 and subsequent.
- †† A pre-greased 28NBC2040YZP is available as P/N ECD092-1.
 - Effectivity F28F S/N 818, 280FX S/N 2118 and subsequent.
 - Effectivity F28F S/N 829, 280FX S/N 2135 and subsequent.
 - ▲ Available as a remanufactured part. Add an "R" to the end of the part number when ordering.
 - ▶ Effectivity F28F S/N 831 and subsequent, 280FX S/N 2172 and subsequent. Retrofittable to F28F S/N 509 and subsequent, and 280FX S/N 2001 and subsequent.

ENSTROM F-28/280 SERIES ILLUSTRATED PARTS CATALOG



Sheet 3 of 3

FIGURE 7-5. WINDOWS, DOORS, AND COMPARTMENT ENCLOSURES
(280, 280C, 280F, 280FX)

ENSTROM F-28/280 SERIES ILLUSTRATED PARTS CATALOG

FIGURE 7-5. WINDOWS, DOORS, AND COMPARTMENT ENCLOSURES
(280, 280C, 280F, 280FX)

ITEM NUMBER	PART NUMBER	DESCRIPTION	QTY PER ASSY	MODELS AFFECTED						
				F-28A	280	F-28C	280C	F-28F	280F	280FX
-	280-113000-103	Cabin Installation	REF		X		X		X	X
10	280-113022-12	. Windshield, R/H	1		X		X		X	X
-20	280-113022-11	. Windshield, L/H	1		X		X		X	X
30	280-113022-17	. . Stiffener	1		X		X		X	X
40	PR1425B1/2	. . Sealant	A/R		X		X		X	X
40	PR1425B2	. . Sealant (Alternate)	A/R		X		X		X	X
40	4016-1	. . Foam Tape (Replaced by PR1425B1/2)	A/R		X		X		X	X
-	1425	. . Sealant	A/R		X		X		X	X
-	EC-801-807	. . Adhesive (Replaced by 1425)	A/R		X		X		X	X
50	AD43BSLF	. . Rivet	A/R		X		X		X	X
50	CR91484-4-03	. . Rivet (Replaced by AD43BSLF)	A/R		X		X		X	X
50	CR91484-4-3	. . Rivet (Replaced by CR91484-4-03)	A/R		X		X		X	X
-60	AD44BSLF	. . Rivet	A/R		X		X		X	X
-60	CR91484-4-04	. . Rivet (Replaced by AD44BSLF)	A/R		X		X		X	X
-60	CR91484-4-4	. . Rivet (Replaced by CR91484-4-04)	A/R		X		X		X	X
-70	AD45BSLF	. . Rivet	A/R		X		X		X	X
-70	CR91484-4-05	. . Rivet (Replaced by AD45BSLF)	A/R		X		X		X	X
-70	CR91484-4-5	. . Rivet (Replaced by CR91484-5-05)	A/R		X		X		X	X
-**	NAS1149FN416P	. . Washer	A/R		X		X		X	X
80	280-113022-13	. . Lower Window, L/H	1		X		X		X	X
90	280-113022-14	. . Lower Window, R/H	1		X		X		X	X
100	4016-75	. . Foam Tape	A/R		X		X		X	X
110	280-113022-15	. . Upper Window, L/H	1		X		X		X	X
120	280-113022-16	. . Upper Window, R/H	1		X		X		X	X
-	280-113001-9	. Cabin Subassembly	1		X		X		X	X
-	280-113023-1	. . Cabin Fiberglass & Seat Structure Assembly	1		X		X		X	X

ENSTROM F-28/280 SERIES ILLUSTRATED PARTS CATALOG

FIGURE 7-5. WINDOWS, DOORS, AND COMPARTMENT ENCLOSURES
(280, 280C, 280F, 280FX)

ITEM NUMBER	PART NUMBER	DESCRIPTION	QTY PER ASSY	MODELS AFFECTED						
				F-28A	280	F-28C	280C	F-28F	280F	280FX
480	280-117001-3	.. Latch	1		X		X		X	X
490	280-117001-7	.. Latch Retainer	1		X		X		X	X
500	280-117001-5	.. Latch Retainer	1		X		X		X	X
510	AN526-1032R8	.. Screw	2		X		X		X	X
520	280-117001-25	.. Latch Stop	1		X		X		X	X
530	8-32X1/4 IN	.. Screw	1		X		X		X	X
-540	280-117003-3	.. Latch Retainer, L/H	1		X		X		X	X
550	280-117003-4	.. Latch Retainer, R/H	1		X		X		X	X
560	280-117000-10	.. Spring (CS-31)	1		X		X		X	X
570	280-117000-15	.. Bracket	1		X		X		X	X
580	NAS1149F0363P	.. Washer	4		X		X		X	X
580	AN960-10	.. Washer (Alternate)	4		X		X		X	X
590	MS51862-13	.. Screw	2		X		X		X	X
590	AN531-6-6	.. Screw (Superseded by MS51862-13)	2		X		X		X	X
600	MS27039-0807	.. Screw	5		X		X		X	X
600	AN525-832R7	.. Screw (Superseded by MS27039-0807)	5		X		X		X	X
-610	280-113038-13	.. Cover	1		X		X		X	X
-610	280-113038-11	.. Panel, L/H (Superseded by 280-113038-13)	1		X		X		X	X
620	280-113038-14	.. Cover	1		X		X		X	X
620	280-113038-12	.. Panel, R/H (Superseded by 280-113038-14)	1		X		X		X	X
630	A1785-6Z1D	.. Tinnerman Nut	2		X		X		X	X
640	MS51861-25	.. Screw	8		X		X		X	X
640	AN530-6R8	.. Screw (Superseded by MS51861-25)	8		X		X		X	X
650	NK525-1032R12	.. Screw	2		X		X		X	X
660	AN935-10L	.. Lock Washer	2		X		X		X	X
670	H2532-13	.. Door Latch (Exterior)	1		X		X		X	X

ENSTROM F-28/280 SERIES ILLUSTRATED PARTS CATALOG

FIGURE 7-5. WINDOWS, DOORS, AND COMPARTMENT ENCLOSURES
(280, 280C, 280F, 280FX)

ITEM NUMBER	PART NUMBER	DESCRIPTION	QTY PER ASSY	MODELS AFFECTED						
				F-28A	280	F-28C	280C	F-28F	280F	280FX
-	H2532-15	.. Door Latch (L/H Interior)	1		X		X		X	X
-	H2532-16	.. Door Latch (R/H Interior)	1		X		X		X	X
680	ECD060-5	.. Lock Tumbler	1		X		X		X	X
680	110927-3	.. Tumbler Assembly (Replaced by ECD060-5)	1		X		X		X	X
690	LE-026B-00MW	.. Spring	2		X		X		X	X
700	280-113027-1	. Door Assembly, L/H	1		X		X		X	X
-710	280-113027-2	. Door Assembly, R/H	1		X		X		X	X
720	280-113027-23	.. Hinge, L/H	1		X		X		X	X
-730	280-113027-24	.. Hinge, R/H	1		X		X		X	X
740	280-113027-31	.. Hinge Pin	1		X		X		X	X
750	AN345-1032	.. Nut	1		X		X		X	X
760	280-113027-13	.. Door Plexiglass, L/H	1		X		X		X	X
-770	280-113027-14	.. Door Plexiglass, R/H	1		X		X		X	X
780	2500-4	.. Weather Strip	A/R		X		X		X	X
-	28-113102-1	.. Door Handle Assembly	1		X		X		X	X
790	28-113102-11	... Door Handle	1		X		X		X	X
800	NK525-832R10	.. Screw	2		X		X		X	X
810	280-113039-11	.. Latch Striker	2		X		X		X	X
820	MS27039-0808	.. Screw	8		X		X		X	X
820	AN525-832R8	.. Screw (Superseded by MS27039-0808)	8		X		X		X	X
830	CC-3251	.. Snap Vent	1		X		X		X	X
-	28-11715-11	.. Ring	1		X		X		X	X
840▲	280-113035-1	.. Ash Tray Receptacle Assembly, L/H	1		X		X		X	X
-▲	280-113035-11	... Receptacle Door, L/H	1		X		X		X	X
-850▲	280-113035-2	.. Ash Tray Receptacle Assembly, R/H	1		X		X		X	X
-▲	280-113035-12	... Receptacle Door, R/H	1		X		X		X	X

ENSTROM F-28/280 SERIES ILLUSTRATED PARTS CATALOG

FIGURE 7-5. WINDOWS, DOORS, AND COMPARTMENT ENCLOSURES
(280, 280C, 280F, 280FX)

ITEM NUMBER	PART NUMBER	DESCRIPTION	QTY PER ASSY	MODELS AFFECTED						
				F-28A	280	F-28C	280C	F-28F	280F	280FX
860▲	MS51861-24	. . Screw	2		X		X		X	X
860▲	AN530-6R6	. . Screw (Superseded by MS51861-24)	2		X		X		X	X
870	NAS6603-4	. . Bolt	2		X		X		X	X
870	AN3-5A	. . Bolt (Superseded by NAS6603-4)	2		X		X		X	X
880	NAS1149F0332P	. . Washer	2		X		X		X	X
880	AN960-10L	. . Washer (Alternate)	2		X		X		X	X
890	MS21044N4	. . Nut	1		X		X		X	X
890	AN365-428A	. . Nut (Superseded by MS21044N4)	1		X		X		X	X
900	NAS1149F0463P	. . Washer	2		X		X		X	X
900	AN960-416	. . Washer (Alternate)	2		X		X		X	X
910	280-113032-11	. Hinge Bracket, L/H	1		X		X		X	X
-920	280-113032-12	. Hinge Bracket, R/H	1		X		X		X	X
930	28-16210-3	. Spacer	A/R		X		X		X	X
-940	28-16211-1	. Spacer	A/R		X		X		X	X
950	NAS6604-7	. Bolt	1		X		X		X	X
950	AN4-7A	. Bolt (Superseded by NAS6604-7)	1		X		X		X	X
960	280-113036-1	. Restraint Strap Assembly	1		X		X		X	X
-	280-113036-11	. . Restraint Strap	1		X		X		X	X
-960A	280-113036-3	. Restraint Strap Assembly	1		X		X		X	X
-	280-113036-13	. . Restraint Strap	1		X		X		X	X
-960B	280-113036-5	. Restraint Strap Assembly	1		X		X		X	X
-	280-113036-15	. . Restraint Strap	1		X		X		X	X
970	280-113037-13	. Restraint Strap Guide	1		X		X		X	X
970	280-113037-11	. Restraint Strap Guide (Superseded by 280-113037-13)	1		X		X		X	X
970	280-113037-1	. Restraint Strap Guide (Superseded by 280-113037-11)	1		X		X		X	X

ENSTROM F-28/280 SERIES ILLUSTRATED PARTS CATALOG

FIGURE 7-5. WINDOWS, DOORS, AND COMPARTMENT ENCLOSURES
(280, 280C, 280F, 280FX)

ITEM NUMBER	PART NUMBER	DESCRIPTION	QTY PER ASSY	MODELS AFFECTED						
				F-28A	280	F-28C	280C	F-28F	280F	280FX
980	NK525-10R12	. Screw	2		X		X		X	X
990▲	28-113046-3	. Sliding Window Kit, L/H	1		X		X		X	X
-1000▲	28-113046-4	. Sliding Window Kit, R/H	1		X		X		X	X

* All hardware quantities are for one cabin door lock assembly.

** Use with AD43BSLF, AD44BSLF, and AD45BSLF rivets. Install washer under tail.

▲ Optional equipment.

ENSTROM F-28/280 SERIES ILLUSTRATED PARTS CATALOG

FIGURE 7-17. STABILIZER AND TAILCONE EXTENSION (F-28F, 280FX)

ITEM NUMBER	PART NUMBER	DESCRIPTION	QTY PER ASSY	MODELS AFFECTED						
				F-28A	280	F-28C	280C	F-28F	280F	280FX
150	AN960-10L	. . Washer (Alternate)	6					X		X
160	MS21044N3	. . Locknut	3					X		X
160	AN365-1032A	. . Locknut (Superseded by MS21044N3)	3					X		X
170	NAS1149F0463P	. . Washer	4					X		X
170	AN960-10	. . Washer (Replaced by NAS1149F0463P)	4					X		X
180	MS16998-44	. . Cap Screw	4					X		X
190	BPF-1/2	. . Cap Plug	4					X		X
200	NK4-7A	. Bolt	2					X		X
210	NAS1149D0463J	. Washer	2					X		X
210	AN960PD416	. Washer (Alternate)	2					X		X
-	28-17200-3	Tail Rotor Guard Installation	REF					X		X
220	NAS-1368-N8A	. Grommet	2	X		X		X		X
230	NAS6604-25	. Bolt	1	X		X		X		X
230	AN4-20A	. Bolt (Superseded by NAS6604-25)	1	X		X		X		X
240	NAS1149F0432P	. Washer	4	X		X		X		X
240	AN960-416L	. Washer (Alternate)	4	X		X		X		X
250	MS21044N4	. Nut	2	X		X		X		X
250	AN365-428A	. Nut (Superseded by MS21044N4)	2	X		X		X		X
260	NAS6603-22	. Bolt	1	X		X		X		X
260	AN3-16A	. Bolt (Superseded by NAS6603-22)	1	X		X		X		X
270	28-17205-1	. Clamp	1	X		X		X		X
-	28-17206-13	. Pad	A/R	X		X		X		X
280	NAS6604-29	. Bolt	1	X		X		X		X
280	AN4-22A	. Bolt (Superseded by NAS6604-29)	1	X		X		X		X
290	28-17201-3	. Tail Rotor Guard	1	X		X		X		X

ENSTROM F-28/280 SERIES ILLUSTRATED PARTS CATALOG

FIGURE 7-17. STABILIZER AND TAILCONE EXTENSION (F-28F, 280FX)

ITEM NUMBER	PART NUMBER	DESCRIPTION	QTY PER ASSY	MODELS AFFECTED						
				F-28A	280	F-28C	280C	F-28F	280F	280FX
300	28-17207-1	. Strut Assembly	1	X		X		X		X
-	28-17206-13	. . Pad	2	X		X		X		X
-	NAS77A6-007	. . Bushing	2	X		X		X		X
-	AN5-4A	. . Bolt	1	X		X		X		X
-	AN960-516	. . Washer	1	X		X		X		X
-	28-17206-15	. . Insert	1	X		X		X		X
-	28-17206-19	. . Bracket	1	X		X		X		X
-	28-17208-11	. . Clamp	1	X		X		X		X
-	28-17207-13	. . Tube	1	X		X		X		X
310	NAS6603-24	. Bolt	1	X		X		X		X
310	AN3-17A	. Bolt (Superseded by NAS6603-24)	1	X		X		X		X
320	NAS73-3-108	. Bushing	1	X		X		X		X
330	28-17206-11	. Spacer	A/R	X		X		X		X
340	NAS6604-11	. Bolt	1	X		X		X		X
340	AN4-11A	. Bolt (Superseded by NAS6604-11)	1	X		X		X		X
350	28-17206-17	. Spacer	1	X		X		X		X
360	MS21083N4	. Nut	1	X		X		X		X
360	AN364-428A	. Nut (Superseded by MS21083N4)	1	X		X		X		X

ENSTROM F-28/280 SERIES ILLUSTRATED PARTS CATALOG

FIGURE 8-3A. UPPER SWASHPLATE ASSEMBLY & CONTROL ATTACHMENT

ITEM NUMBER	PART NUMBER	DESCRIPTION	QTY PER ASSY	MODELS AFFECTED						
				F-28A	280	F-28C	280C	F-28F	280F	280FX
190	28-16112-17	. Housing	1	X	X	X	X	X	X	X
190	28-16112-15	. Housing (Superseded by 28-16112-17)	1	X	X	X	X	X	X	X
200	28-16126-1	. Lock Plate	1	X	X	X	X	X	X	X
210	28-16113-1	. Nut	3	X	X	X	X	X	X	X
220	28-16131-11	. Walking Beam	1	X	X	X	X	X	X	X
220	28-16131-1	. Walking Beam (Superseded by 28-16131-11)	1	X	X	X	X	X	X	X
230	28-16109-1	. Bolt (Used with 28-16108-2)	2	X	X	X	X	X	X	X
230▲	28-16109-11	. Bolt (Used with 28-16108-11)	2	X	X	X	X	X	X	X
240	28-16109-13	. Bushing (Used with 28-16108-11)	2	X	X	X	X	X	X	X
250	LHSSE-5	. Spherical Bearing	2	X	X	X	X	X	X	X
→◇	28-22350-1	Kit Installation	REF	X	X	X	X	X	X	X
260◇	NAS1101-3-10	. Screw	2	X	X	X	X	X	X	X
260◇	AN502-10-10	. Screw (Superseded by NAS1101-3-10)	2	X	X	X	X	X	X	X
270◇	NAS1149F0332P	. Washer	2	X	X	X	X	X	X	X
270◇	AN960-10L	. Washer (Alternate)	2	X	X	X	X	X	X	X
280◇	28-16043-13	. Interrupter Bracket	1	X	X	X	X	X	X	X
290◇	MS35649-282	. Nut	4	X	X	X	X	X	X	X
290◇	AN340-832	. Nut (Superseded by MS35649-282)	4	X	X	X	X	X	X	X
300◇	28-16043-15	. Interrupter Tab	4	X	X	X	X	X	X	X
310	NAS6604D31	. Bolt	2	X	X	X	X	X	X	X
310	AN4-23	. Bolt (Superseded by NAS6604D31)	2	X	X	X	X	X	X	X
320	ECD050-11	. 1/4 Washer	4	X	X	X	X	X	X	
-	28-16132-1	. Support Link Assembly	2	X	X	X	X	X	X	X
330●	28-16132-4	. . Bearing	2	X	X	X	X	X	X	X
340	28-16132-3	. . Link Support	1	X	X	X	X	X	X	X
350	28-16133-1	. Bushing	2	X	X	X	X	X	X	X

ENSTROM F-28/280 SERIES ILLUSTRATED PARTS CATALOG

FIGURE 8-3A. UPPER SWASHPLATE ASSEMBLY & CONTROL ATTACHMENT

ITEM NUMBER	PART NUMBER	DESCRIPTION	QTY PER ASSY	MODELS AFFECTED						
				F-28A	280	F-28C	280C	F-28F	280F	280FX
360	MS17825-4	. Nut	2	X	X	X	X	X	X	
360	F12NE-4753-048	. Nut (Superseded by MS17825-4)	2	X	X	X	X	X	X	
370	MS24665-1013	. Cotter Pin	2	X	X	X	X	X	X	
370	AN381-2-7	. Cotter Pin (Superseded by MS24665-1013)	2	X	X	X	X	X	X	
380	28-16143-3	. Dog Leg Rod End	3	X	X	X	X	X	X	X
380	28-16143-1	. Dog Leg Rod End (Superseded by 28-16143-3)	3	X	X	X	X	X	X	X
390	ECD030-11	. . Bearing	3	X	X	X	X	X	X	X
400	AN320-8	. Nut	3	X	X	X	X	X	X	X
410	MS24665-302	. Cotter Pin	3	X	X	X	X	X	X	X
410	AN381-3-16	. Cotter Pin (Superseded by MS24665-302)	3	X	X	X	X	X	X	X
420♦*	28-16253-103	. Push-Pull Rod Assy.	3					X		X
420*	28-16253-101	. Push-Pull Rod Assy. (Replaced by 28-16253-103)	3	X	X	X	X	X	X	X
430	M81934/1-08C012	. . Bearing (Used with 28-16253-103)	3					X	X	X
430	MS21240-08C12	. . Bearing (Superseded by M81934/1-08C012)	3					X	X	X
440»	28-16336-11	. . Bushing (Used with 28-16253-103)	3					X	X	X
450	28-16253-8	. . Shrink Tube	1	X	X	X	X	X	X	X
450	28-16253-6	. . Shrink Tube (Superseded by 28-16253-8)	1	X	X	X	X	X	X	X
460*†	28-16253-105	. Push-Pull Rod Assy.	1	X	X	X	X	X	X	
460*	28-16253-1	. Push-Pull Rod Assy. (Replaced by 28-16253-105)	1	X	X	X	X	X	X	X
470	28-16201-1	. . Bushing	2	X	X	X	X	X	X	
480	28-16203-1	. . Spacer (Used with 28-16253-105)	3	X	X	X	X	X	X	X

ENSTROM F-28/280 SERIES ILLUSTRATED PARTS CATALOG

- ▼ Available as a remanufactured part (-R).
- ** Effectivity F-28F S/N 829 and subsequent and 280FX S/N 2134 and subsequent. Eligibility F-28F S/N 509 and subsequent and 280FX S/N 2001 and subsequent.
- ∞ Integrated into 28-16043-19.
- ▲ Replaces the 28-16109-1 bolt in production. 28-16109-11 may be used with bearing housing 28-16108-2 for service.
- ◇ Chadwick/Helmuth Tracking/Balance Kit optional equipment.
- ◆ Effectivity F-28F S/N 816 – subsequent and 280FX S/N 2100 – subsequent.
- * See SDB 0096, latest revision.
- † Service replacement only.
- » Depicted as Item Number 60 in Figure 8-4; shown for clarification.
- Made from Boston Gear FB68-3 bearing, which is an acceptable alternate to 28-16132-4.

ENSTROM F-28/280 SERIES ILLUSTRATED PARTS CATALOG

I

INTENTIONALLY LEFT BLANK

ENSTROM F-28/280 SERIES ILLUSTRATED PARTS CATALOG

FIGURE 10-4. CABIN HEATING INSTALLATION (CURRENT PRODUCTION)

ITEM NUMBER	PART NUMBER	DESCRIPTION	QTY PER ASSY	MODELS AFFECTED						
				F-28A	280	F-28C	280C	F-28F	280F	280FX
-	28-127002-9	Heater Installation – Cabin	REF					X		X
–*	28-127002-5	Heater Installation – Cabin	REF			X	X	X	X	X
-	28-127002-1	Cabin Heater Installation (Superseded by 28-127002-5)	REF			X	X	X	X	
10*	28-127520-29	. Heater Ducting	2			X	X	X	X	X
10	28-127520-13	. Heater Ducting (Superseded by 28-127520-29)	2			X	X	X	X	
20	28-127520-11	. Heater Ducting	1			X	X	X	X	X
-	5453	. Teflon Tape	A/R			X	X	X	X	X
30	28-127520-15	. Hose-Ducting	1			X	X	X	X	X
40*	QS200-M40S	. Clamp	2			X	X	X	X	X
40	QS200-M44S	. Clamp (Superseded by QS200- M44S)	2			X	X	X	X	
50	AN515-8R8	. Screw	1			X	X	X	X	X
60	MS21919WCJ16	. Clamp	1			X	X	X	X	X
60	MS21919F8	. Clamp (Replaced by MS21919WCJ16)	1			X	X	X	X	X
70**	MS21919WG38	. Clamp	1			X	X	X	X	X
70	AN742D48	. Clamp (Superseded by MS21919WG38)	1			X	X	X	X	X
80	AN960-8L	. Washer	1			X	X	X	X	X
90	AN364-832A	. Nut	1			X	X	X	X	X
100	28-127510-3	. Valve Assembly, Cabin Heater	1			X	X	X	X	X
100	28-127510-1	. Valve-Cabin Heat (Replaced by 28-127510-3)	1			X	X	X	X	X
110	QS200-M44S	. Clamp	3			X	X	X	X	X
120*	28-127523-1	. Adapter	1			X	X	X	X	X
120	28-127509-1	. Adapter	1			X	X	X	X	
130	AN530-8R8	. Screw	1			X	X	X	X	X
140**	MS21919WDG3	. Clamp	1			X	X	X	X	X
140	755-2-2-6	. Clamp (Superseded by MS21919WDG3)	1			X	X	X	X	X

ENSTROM F-28/280 SERIES ILLUSTRATED PARTS CATALOG

FIGURE 10-4. CABIN HEATING INSTALLATION (CURRENT PRODUCTION)

ITEM NUMBER	PART NUMBER	DESCRIPTION	QTY PER ASSY	MODELS AFFECTED						
				F-28A	280	F-28C	280C	F-28F	280F	280FX
150	A1789-8Z1	. Tinnerman Nut	1			X	X	X	X	X
160	AN960-416L	. Washer	1			X	X	X	X	X
170	AN381-2-8	. Cotter Pin	1			X	X	X	X	X
180	AN515-8R8	. Screw	6			X	X	X	X	X
190	AN935-8	. Lock Washer	6			X	X	X	X	X
200	AN960-8L	. Washer	6			X	X	X	X	X
210	AN340-8	. Nut	6			X	X	X	X	X
220**	A-740-12	. Control Assembly	1			X	X	X	X	X
220	3A3408-2	. Push-Pull Control	1			X	X	X	X	X
230	AN515-8R8	. Screw	1			X	X	X	X	X
240**	MS21919WDG3	. Clamp	1			X	X	X	X	X
240	755-2-2-6	. Clamp (Superseded by MS21919WDG3)	1			X	X	X	X	X
250**	MS21919WG38	. Clamp	1			X	X	X	X	X
250	AN742D48	. Clamp (Superseded by MS21919WG38)	1			X	X	X	X	X
260	AN960-8L	. Washer	1			X	X	X	X	X
270	AN364-832A	. Nut	1			X	X	X	X	X
280*	28-127524-1	. Duct Assembly	1			X	X	X	X	X
280	28-127508-1	. Duct Outlet (Superseded by 28-127524-1)	1			X	X	X	X	
290	28-127521-11	. Cover-Duct Outlet	1			X	X	X	X	X
300	AN526-832R7	. Screw	1			X	X	X	X	X
310	CCR274SS-3-02	. Rivet	4					X		X
310	CR163-4-4	. Rivet (Superseded by CCR274SS-3-02)	4			X	X	X	X	X
-	NAS1149FN316P	. Washer	4			X	X	X	X	X
320	AN960-4L	. Washer	4			X	X	X	X	X
330	QS200-M44S	. Clamp	1			X	X	X	X	X
340	28-127502-1	. Ducting Splitter	1			X	X	X	X	X
350	28-127520-19	. Hose-Ducting	1			X	X	X	X	X

ENSTROM F-28/280 SERIES ILLUSTRATED PARTS CATALOG

FIGURE 10-4. CABIN HEATING INSTALLATION (CURRENT PRODUCTION)

ITEM NUMBER	PART NUMBER	DESCRIPTION	QTY PER ASSY	MODELS AFFECTED						
				F-28A	280	F-28C	280C	F-28F	280F	280FX
360	28-127520-17	. Hose-Ducting	1			X	X	X	X	X
370	QS200-M40S	. Clamp	1			X	X	X	X	X
380	QS200-M28S	. Clamp	4			X	X	X	X	X
390	AN526-832R7	. Screw	1			X	X	X	X	X
400	AN960-8L	. Washer	1			X	X	X	X	X
410	AN364-832A	. Nut	1			X	X	X	X	X
420	MS21919WG38	. Clamp	1			X	X	X	X	X
430	MS35206-245	. Screw	1			X	X	X	X	X
440	NAS1149FN816P	. Washer	2			X	X	X	X	X
450	MS35338-42	. Lock Washer	1			X	X	X	X	X
460	MS35649-282	. Nut	1			X	X	X	X	X
470	AN743-13	. Clip	1			X	X	X	X	X

* Effectivity F-28C S/N 468 and subsequent, 280C S/N 1230 and subsequent, 280F S/N 1510 and subsequent, and F-28F S/N 704 and 706 and subsequent.

** Effectivity F-28F S/N 831 and subsequent and 280FX S/N 2136 and subsequent. Retrofittable to F-28 models S/N 509 and subsequent and 280 models S/N 2001 and subsequent.

ENSTROM F-28/280 SERIES ILLUSTRATED PARTS CATALOG

INTENTIONALLY LEFT BLANK

ENSTROM F-28/280 SERIES ILLUSTRATED PARTS CATALOG

FIGURE 11-8. 280FX INSTRUMENTS AND INSTRUMENT PANEL

ITEM NUMBER	PART NUMBER	DESCRIPTION	QTY PER ASSY	MODELS AFFECTED						
				F-28A	280	F-28C	280C	F-28F	280F	280FX
105	28-18060-13	. Cover	1							X
110	MS35214-15	. Screw	4							X
115	NAS1149FN416P	. Washer	4							X
120	MS21044N04	. Nut	4							X
122	ECD071-15	. Instrument Cluster	1							X
122	ECD071-13	. Instrument Cluster (Superseded by ECD071-15)	1							X
123	ECD071-103	. . Fuel Qty. Gauge	1							X
124	ECD071-104	. . Oil Temp. MRGB Gauge	1							X
125	ECD071-105	. . Ammeter Gauge	1							X
126	ECD071-106	. . Eng. Oil Press. Gauge	1							X
127	ECD071-107	. . Eng. Oil Temp. Gauge	1							X
128	ECD071-108	. . Cylinder Temp. Gauge	1							X
129	MS35214-27	. . Screw	4							X
-	AN816-4D	. Adapter	1							X
130	AN515-B6R3	. Screw	4							X
135	28-22543-13	. Placard (MAX. TIT 1650° F.)	1							X
140●	28-22093-3	. EDM-700-4C Installation	1							X
-	EGT-701-4C-A-T	. . Indicator w/Software Pt# 302661-REV 3.062	1							X
145	28-18101-11	. Bracket	1							X
150	7101SYZQE	. Switch	1							X
155	28-22540-17	. Placard	1							X
160	KN500B1/8	. Knob	1							X
-	381N-500-S	. Potentiometer (Panel Light Dimmer Control)	1							X
165	ECD077-11	. Manifold Pressure	1							X
-	AN816-4D	. Adapter	1							X
-	28-180014-1	. Fitting Fuel Vent	1							X
-	60618-1	. Pin	3							X

ENSTROM F-28/280 SERIES ILLUSTRATED PARTS CATALOG

FIGURE 11-8. 280FX INSTRUMENTS AND INSTRUMENT PANEL

ITEM NUMBER	PART NUMBER	DESCRIPTION	QTY PER ASSY	MODELS AFFECTED						
				F-28A	280	F-28C	280C	F-28F	280F	280FX
-	1-480305-0	. Pin Housing	1							X
170	ECD072-11	. Dual Tachometer	1							X
175	28-180020-11	. I.D. Panel	1							X
180*	Y9485	. Tape	A/R							X
185	8000 B.853	. Airspeed	1							X
-	AN816-4D	. Adapter	1							X
190	160-012-70	. Circuit Breaker, 70 Amp	1							X
195	7274-2-2 1/2	. Circuit Breaker, 2 1/2 Amp	1							X
200	1684	. Hole Plug	A/R							X
205	7274-2-10	. Circuit Breaker, 10 Amp	2							X
210	7274-2-5	. Circuit Breaker, 5 Amp	1							X
215	7274-2-3	. Circuit Breaker, 3 Amp	1							X
220	28-18069-31	. Panel	1							X
225	MS35214-28	. Screw	4							X
230	28-18171-33	. Panel (Narrow) (Used with -159)	1							X
235	28-18069-33	. Panel	1							X
240	7270-1-35	. Circuit Breaker Switch, 35 Amp	A/R							X
245	1687	. Hole Plug	A/R							X
-*	732BL	. Sealant	A/R							X
250	7270-1-5	. Circuit Breaker Switch, 5 Amp	4							X
-*	732BL	. Sealant	A/R							X
255	7270-1-3	. Circuit Breaker Switch, 3 Amp	1							X
260	7270-1-7 1/2	. Circuit Breaker Switch, 7 1/2 Amp	1							X
265	12TS15-2	. Toggle Switch	2							X
270	15PA90-4R	. Red Cap	1							X
275	10-357290-1	. Ignition Switch	1							X
280	28-19021-10	. (40-6) Grounding Strap	1							X
285	770001-5	. Mount	4							X

ENSTROM F-28/280 SERIES ILLUSTRATED PARTS CATALOG

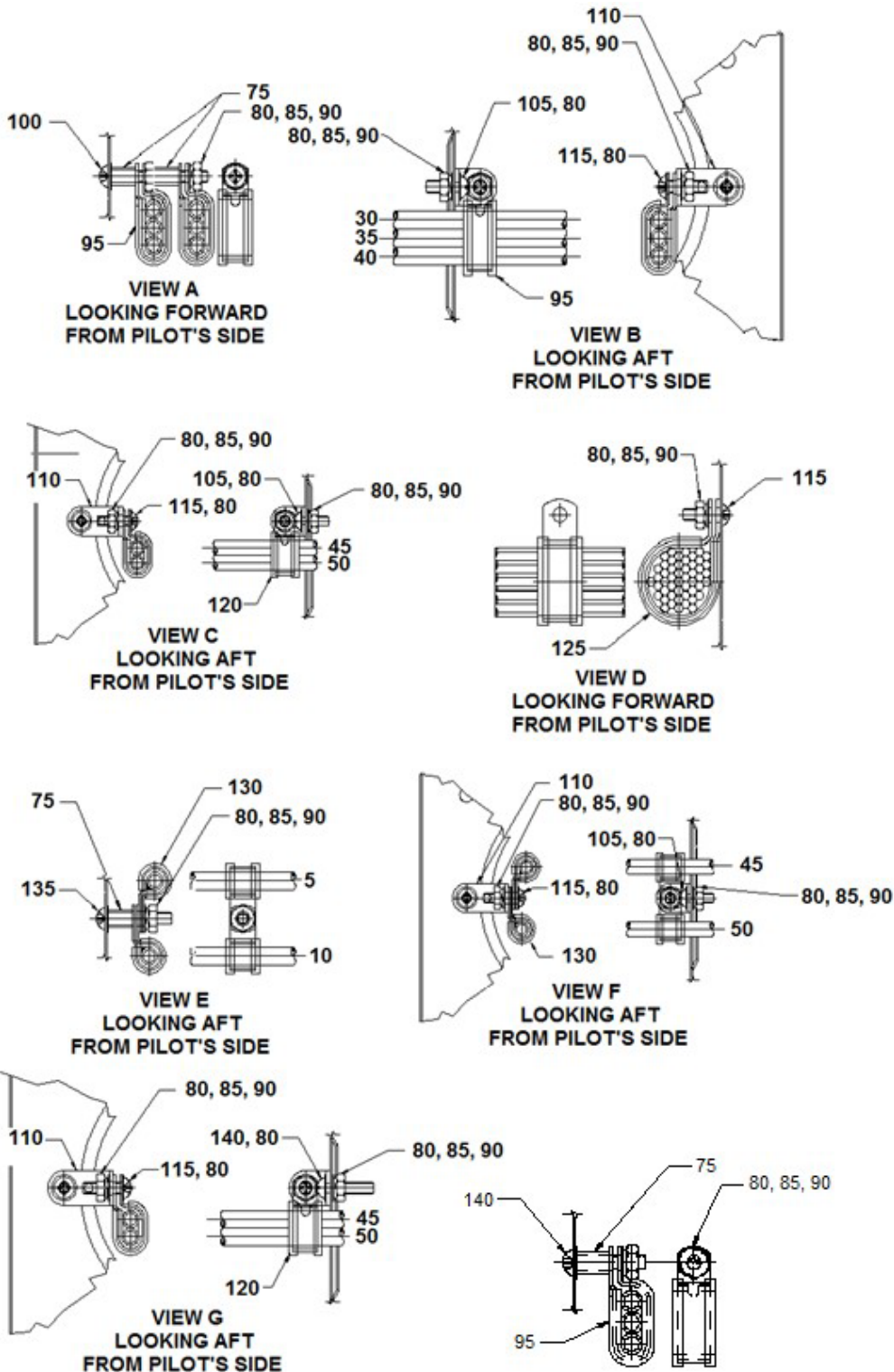


FIGURE 11-15. INSTRUMENT/SYSTEM LINE INSTALLATION

ENSTROM F-28/280 SERIES ILLUSTRATED PARTS CATALOG

FIGURE 11-15. INSTRUMENT/SYSTEM LINE INSTALLATION

ITEM NUMBER	PART NUMBER	DESCRIPTION	QTY PER ASSY	MODELS AFFECTED						
				F-28A	280	F-28C	280C	F-28F	280F	280FX
-	280-181000-1	Vent Line Installation	REF			X	X	X	X	X
5	280-181000-17	. Fuel Pressure Tube	1			X	X	X	X	X
-	AN818-4D	. Nut	2			X	X	X	X	X
-	MS20819-4D	. Sleeve	2			X	X	X	X	X
-	28-12473-11	. Placard (FUEL)	2			X	X	X	X	X
10	280-181000-19	. Static Pressure Tube	1			X	X	X	X	X
-	AN818-4D	. Nut	2			X	X	X	X	X
-	MS20819-4D	. Sleeve	2			X	X	X	X	X
-	28-12470-11	. Placard (STATIC PRESSURE)	2			X	X	X	X	X
15	AN833-4	. Union Elbow, Steel	5			X	X	X	X	X
15	AN833-4D	. Union Elbow, Aluminum (Superseded by AN833-4)	5			X	X	X	X	X
20	NAS1149F0763P	. Washer	10			X	X	X	X	X
25	AN924-4	. Nut	5			X	X	X	X	X
30	280-181000-11	. Oil Pressure Tube	1			X	X	X	X	X
-	AN818-4D	. Nut	2			X	X	X	X	X
-	MS20819-4D	. Sleeve	2			X	X	X	X	X
-	28-12474-11	. Placard (LUBRICATION)	2			X	X	X	X	X
35	280-181000-13	. Static Fuel Tube	1			X	X	X	X	X
-	AN818-4D	. Nut	2			X	X	X	X	X
-	MS20819-4D	. Sleeve	2			X	X	X	X	X
-	28-12475-11	. Placard (FUEL STATIC PRESSURE)	2			X	X	X	X	X
40	280-181000-15	. Manifold Pressure Tube	1			X	X	X	X	X
-	AN818-4D	. Nut	2			X	X	X	X	X
-	MS20819-4D	. Sleeve	2			X	X	X	X	X
-	28-12471-11	. Placard (MANIFOLD PRESSURE)	2			X	X	X	X	X
45	280-181000-23	. Fuel Pressure Tube	1			X	X	X	X	X
-	AN818-4D	. Nut	2			X	X	X	X	X

ENSTROM F-28/280 SERIES ILLUSTRATED PARTS CATALOG

FIGURE 12-5. TAIL ROTOR BLADE CONTROL INSTALLATION

ITEM NUMBER	PART NUMBER	DESCRIPTION	QTY PER ASSY	MODELS AFFECTED						
				F-28A	280	F-28C	280C	F-28F	280F	280FX
-	28-16398-103	Tail Rotor Blade Control Installation	REF	X	X	X	X	X	X	X
10	28-16338-1	. Bellcrank Assembly	1	X	X	X	X	X	X	X
-	28-16153-1	.. Spacer	2	X	X	X	X	X	X	X
-	28-16156-1	.. Bushing	4	X	X	X	X	X	X	X
-	28-16338-3	.. Bellcrank	2	X	X	X	X	X	X	X
-	28-16338-5	.. Stop Block	2	X	X	X	X	X	X	X
-	MS20470AD4-11	.. Rivet	12	X	X	X	X	X	X	X
20	28-16338-2	. Bellcrank Assembly	1	X	X	X	X	X	X	X
-	28-16153-1	.. Spacer	1	X	X	X	X	X	X	X
-	28-16156-1	.. Bushing	2	X	X	X	X	X	X	X
-	28-16338-5	.. Stop Block	2	X	X	X	X	X	X	X
-	28-16338-7	.. Bellcrank	2	X	X	X	X	X	X	X
-	MS20470AD4-11	.. Rivet	12	X	X	X	X	X	X	X
25	4150008-5	. Cable Assembly	2	X	X	X	X	X	X	X
-∅	28-16350-1	. Cable Assembly	2	X	X	X	X	X	X	X
30	28-16339-1	. Tie Rod Assembly	1	X	X	X	X	X	X	X
-	28-16339-3	.. Bushing Oilite		X	X	X	X	X	X	X
-	28-16339-4	.. Flat End Fitting		X	X	X	X	X	X	X
-	28-16339-5	.. Tube		X	X	X	X	X	X	X
-	28-16339-6	.. Filler Plug		X	X	X	X	X	X	X
-	28-16339-7	.. Forked End Fitting		X	X	X	X	X	X	X
-	MS20470AD4-19	.. Rivet		X	X	X	X	X	X	X
40*◆	28-16334-1	. Tail Rotor Control Pedal Assembly	2	X	X	X	X	X	X	X
-40A**	28-16334-5	. Tail Rotor Control Pedal Assembly (Removable)	A/R	X	X	X	X	X	X	X
-40B†▼	28-16334-7	. Tail Rotor Control Pedal Assembly	A/R	X	X	X	X	X	X	X
-40C△	28-16334-9	. Tail Rotor Control Pedal Assembly (Removable)	A/R	X	X	X	X	X	X	X

ENSTROM F-28/280 SERIES ILLUSTRATED PARTS CATALOG

FIGURE 12-5. TAIL ROTOR BLADE CONTROL INSTALLATION

ITEM NUMBER	PART NUMBER	DESCRIPTION	QTY PER ASSY	MODELS AFFECTED						
				F-28A	280	F-28C	280C	F-28F	280F	280FX
50	28-16322-7	.. Foot Support Assembly (Used with 28-16334-1 and 28-16334-5)	2	X	X	X	X	X	X	X
50	28-16322-1	.. Foot Support Assembly (Replaced by 28-16322-7)	2	X	X	X	X	X	X	X
-50A	28-16322-9	.. Foot Support Assembly (Used with 28-16334-7 and 28-16334-9)	2	X	X	X	X	X	X	X
60	28-16321-1	.. Pedal Leg Assembly (Used with 28-16334-1)	2	X	X	X	X	X	X	X
-60A	28-16321-101	.. Pedal Leg (Removable) (Used with 28-16334-5)	2	X	X	X	X	X	X	X
-60B	28-16321-103	.. Pedal Leg (Removable) (Used with 28-16334-9)	2	X	X	X	X	X	X	X
-60C	28-16321-105	.. Pedal Leg Assembly (Used with 28-16334-7)	2	X	X	X	X	X	X	X
70	28-16334-3	.. Shaft	1	X	X	X	X	X	X	X
80	MS24665-304	.. Cotter Pin	2	X	X	X	X	X	X	X
90	28-16355-1	.. Support Bushing Assembly	2	X	X	X	X	X	X	X
100	28-16341-1	.. Spacer	2	X	X	X	X	X	X	X
110	AN416-1	.. Pin - Retaining Safety	2	X	X	X	X	X	X	X
120	MS20392-3C25	.. Clevis Pin	2	X	X	X	X	X	X	X
130	28-11392-1	. Shield	4	X	X	X	X	X	X	X
-	#1357	. Adhesive	A/R	X	X	X	X	X	X	X
140	NAS1149F0332P	. Washer	48	X	X	X	X	X	X	X
150	MS21083N3	. Nut	12	X	X	X	X	X	X	X
160	NAS6603-17	. Bolt	4	X	X	X	X	X	X	X
170	NAS6603-2	. Bolt	8	X	X	X	X	X	X	X
180∞	HMLVV5M	. Rod End	4	X	X	X	X	X	X	X
190	AN316-5L	. Nut	4	X	X	X	X	X	X	X
-	VC-3	. Thread Locker	A/R	X	X	X	X	X	X	X
200	28-16154-1	. Push-Pull Rod	4	X	X	X	X	X	X	X

ENSTROM F-28/280 SERIES ILLUSTRATED PARTS CATALOG

FIGURE 12-5. TAIL ROTOR BLADE CONTROL INSTALLATION

ITEM NUMBER	PART NUMBER	DESCRIPTION	QTY PER ASSY	MODELS AFFECTED						
				F-28A	280	F-28C	280C	F-28F	280F	280FX
210	NAS1149F0563P	. Washer	10	X	X	X	X	X	X	X
220	NAS1149F0532P	. Washer	14	X	X	X	X	X	X	X
230	MS17826-5	. Nut	10	X	X	X	X	X	X	X
240	MS24665-153	. Cotter Pin	10	X	X	X	X	X	X	X
250	MS17825-3	. Nut	10	X	X	X	X	X	X	X
260	MS24665-151	. Cotter Pin	17	X	X	X	X	X	X	X
270	28-16349-1	. Spacer	4	X	X	X	X	X	X	X
280	NAS6603D8	. Bolt	4	X	X	X	X	X	X	X
290	NAS6205-8D	. Bolt	4	X	X	X	X	X	X	X
300±	HMVV5M	. Rod End	4	X	X	X	X	X	X	X
310	AN316-5R	. Nut	4	X	X	X	X	X	X	X
320	NAS6605D9	. Bolt	4	X	X	X	X	X	X	X
330	28-16157-3	. Spacer	3	X	X	X	X	X	X	X
340	MS24665-377	. Cotter Pin	2	X	X	X	X	X	X	X
350	NAS6604-25	. Bolt	2	X	X	X	X	X	X	X
360	NAS1149F0432P	. Washer	8	X	X	X	X	X	X	X
370	28-16342-1	. Spacer	4	X	X	X	X	X	X	X
380	ECD050-11	. Washer	8	X	X	X	X	X	X	X
390	NAS6604D7	. Bolt	1	X	X	X	X	X	X	X
400	MS17825-4	. Nut	7	X	X	X	X	X	X	X
410	28-16348-1	. Spacer	1	X	X	X	X	X	X	X
420	MS21083N4	. Nut	2	X	X	X	X	X	X	X
430	28-16340-1	. Spacer	2	X	X	X	X	X	X	X
440	NAS6604D19	. Bolt	1	X	X	X	X	X	X	X
450	28-16351-1	. Cable Eye Assembly	2	X	X	X	X	X	X	X
-	MS20668-3	. . Eye End	1	X	X	X	X	X	X	X
460	28-150079-5	. Rotor Assembly	1	X	X	X	X	X	X	X
470	28-15030-1	. Teetering Stop Assembly	1	X	X	X	X	X	X	X

ENSTROM F-28/280 SERIES ILLUSTRATED PARTS CATALOG

FIGURE 12-5. TAIL ROTOR BLADE CONTROL INSTALLATION

ITEM NUMBER	PART NUMBER	DESCRIPTION	QTY PER ASSY	MODELS AFFECTED						
				F-28A	280	F-28C	280C	F-28F	280F	280FX
-	MS21083N06	. . Nut	2	X	X	X	X	X	X	X
-	28-15028-1	. . Mount Plate	1	X	X	X	X	X	X	X
-	16-1	. . Bumper	2	X	X	X	X	X	X	X
480	MS20995-C41	. Safety Wire	A/R	X	X	X	X	X	X	X
490	MS20995-C32	. Safety Wire	A/R	X	X	X	X	X	X	X
500	28-16391-5	. Pitch Link Assembly	2	X	X	X	X	X	X	X
-	ECD030-11	. . Bearing	2	X	X	X	X	X	X	X
-	28-16391-13	. . Pitch Link	1	X	X	X	X	X	X	X
510	28-13525-7	. Tail Rotor Gearbox Assembly	1	X	X	X	X	X	X	X
520	28-16308-1	. Washer	2	X	X	X	X	X	X	X
530	28-16310-2	. Bolt	2	X	X	X	X	X	X	X
540	28-16396-2	. Bearing and Retainer Assembly	1	X	X	X	X	X	X	X
-	W1819-020	. . Wave Spring Washer	2	X	X	X	X	X	X	X
-	TS-023	. . Seal	1	X	X	X	X	X	X	X
-	MS24665-155	. . Cotter Pin	2	X	X	X	X	X	X	X
-	5002-268-PP	. . Retaining Ring	1	X	X	X	X	X	X	X
-	ECD016-11	. . Bearing	1	X	X	X	X	X	X	X
-	28-16392-13	. . Retainer Pitch Link	1	X	X	X	X	X	X	X
-	28-16397-11	. . Pin	2	X	X	X	X	X	X	X
-	28-16394-11	. . Bearing	1	X	X	X	X	X	X	X
-	28-16331-1	. . Bearing Housing	1	X	X	X	X	X	X	X
550	28-16395-1	. Key	4	X	X	X	X	X	X	X
560	NAS1149F0763P	. Washer	1	X	X	X	X	X	X	X
570	NAS6607H5	. Bolt	1	X	X	X	X	X	X	X
580	TS-023	. Seal	1	X	X	X	X	X	X	X
590	28-16374-1	. Retainer	1	X	X	X	X	X	X	X
600	NAS6603H1	. Bolt	6	X	X	X	X	X	X	X

ENSTROM F-28/280 SERIES ILLUSTRATED PARTS CATALOG

FIGURE 12-5. TAIL ROTOR BLADE CONTROL INSTALLATION

ITEM NUMBER	PART NUMBER	DESCRIPTION	QTY PER ASSY	MODELS AFFECTED						
				F-28A	280	F-28C	280C	F-28F	280F	280FX
610	28-16314-1	. Control Bracket	1	X	X	X	X	X	X	X
620	28-16313-1	. Control Bracket	1	X	X	X	X	X	X	X
630	ECD030-11	. Rod End Bearing	1	X	X	X	X	X	X	X
640	01-691-04	. Rod End Bearing	1	X	X	X	X	X	X	X
650	28-16345-11	. Barrel	1	X	X	X	X	X	X	X
650	28-16345-1	. Barrel (Superseded by 28-16345-11)	1	X	X	X	X	X	X	X
660	28-16352-1	. Control Link	4	X	X	X	X	X	X	X
670	NAS6603D5	. Bolt	2	X	X	X	X	X	X	X
680	MS20995-C25	. Safety Wire	A/R	X	X	X	X	X	X	X
690	AN503-10-18	. Screw	4	X	X	X	X	X	X	X
700	NAS1149F0363P	. Washer	10	X	X	X	X	X	X	X
710	NAS6603D7	. Bolt	2	X	X	X	X	X	X	X
720	28-16353-5	. Spacer	8	X	X	X	X	X	X	X
730	NAS6604D15	. Bolt	2	X	X	X	X	X	X	X
740	MS28775-111	. O-Ring	2	X	X	X	X	X	X	X
750	NAS1149C0463R	. Washer	6	X	X	X	X	X	X	X
760	NAS1149F0463P	. Washer	4	X	X	X	X	X	X	X
770	NAS6604D17	. Bolt	3	X	X	X	X	X	X	X
780●	428-3-VG	. Sleeve	4	X	X	X	X	X	X	X
780	18-2-G	. Sleeve (Replaced by 428-3-VG)	4	X	X	X	X	X	X	X
790	AN100C-4	. Thimble	4	X	X	X	X	X	X	X
800▲	MS21251-B3S	. Barrel	2	X	X	X	X	X	X	X
810	MS21255-3LS	. Eye End	2	X	X	X	X	X	X	X
820	MS21256-1	. Clip	4	X	X	X	X	X	X	X
830	MS21255-3RS	. Eye End	2	X	X	X	X	X	X	X
840	MS24665-300	. Cotter Pin	4	X	X	X	X	X	X	X
850	NAS6603D9	. Bolt	2	X	X	X	X	X	X	X

ENSTROM F-28/280 SERIES ILLUSTRATED PARTS CATALOG

FIGURE 12-5. TAIL ROTOR BLADE CONTROL INSTALLATION

ITEM NUMBER	PART NUMBER	DESCRIPTION	QTY PER ASSY	MODELS AFFECTED						
				F-28A	280	F-28C	280C	F-28F	280F	280FX
860	MS24566-2B	. Pulley	2	X	X	X	X	X	X	X
860	AN210-2B	. Pulley (Superseded by MS24566-2B)	2	X	X	X	X	X	X	X
870	MS24665-157	. Cotter Pin	2	X	X	X	X	X	X	X
880	MS24566-3B	. Pulley	2	X	X	X	X	X	X	X
880	AN210-3B	. Pulley (Superseded by MS24566-3B)	2	X	X	X	X	X	X	X
890	MS24566-1B	. Pulley	2	X	X	X	X	X	X	X
890	AN210-1B	. Pulley (Superseded by MS24566-1B)	2	X	X	X	X	X	X	X

- * Preferred optional chrome installation on the pilot side.
- ◆ Acceptable alternate optional chrome installation on the co-pilot side per customer build order.
- ** Preferred optional chrome installation on the co-pilot side.
- † Painted flat black preferred installation on the pilot side.
- ▼ Acceptable alternate on the co-pilot per customer build order.
- △ Painted flat black preferred installation on the co-pilot side.
- ∞ ARTL5E rod end is an acceptable alternate.
- MS51844-83 sleeve is an acceptable alternate.
- ▲ MS21251-B3L barrel may be substituted for MS21251-B3S.
- ± ART5E rod end is an acceptable alternate.
- ◇ 28-16350-1 is customer service only. 4150008-5 is preferred. See SIL 0192.

ENSTROM F-28/280 SERIES ILLUSTRATED PARTS CATALOG

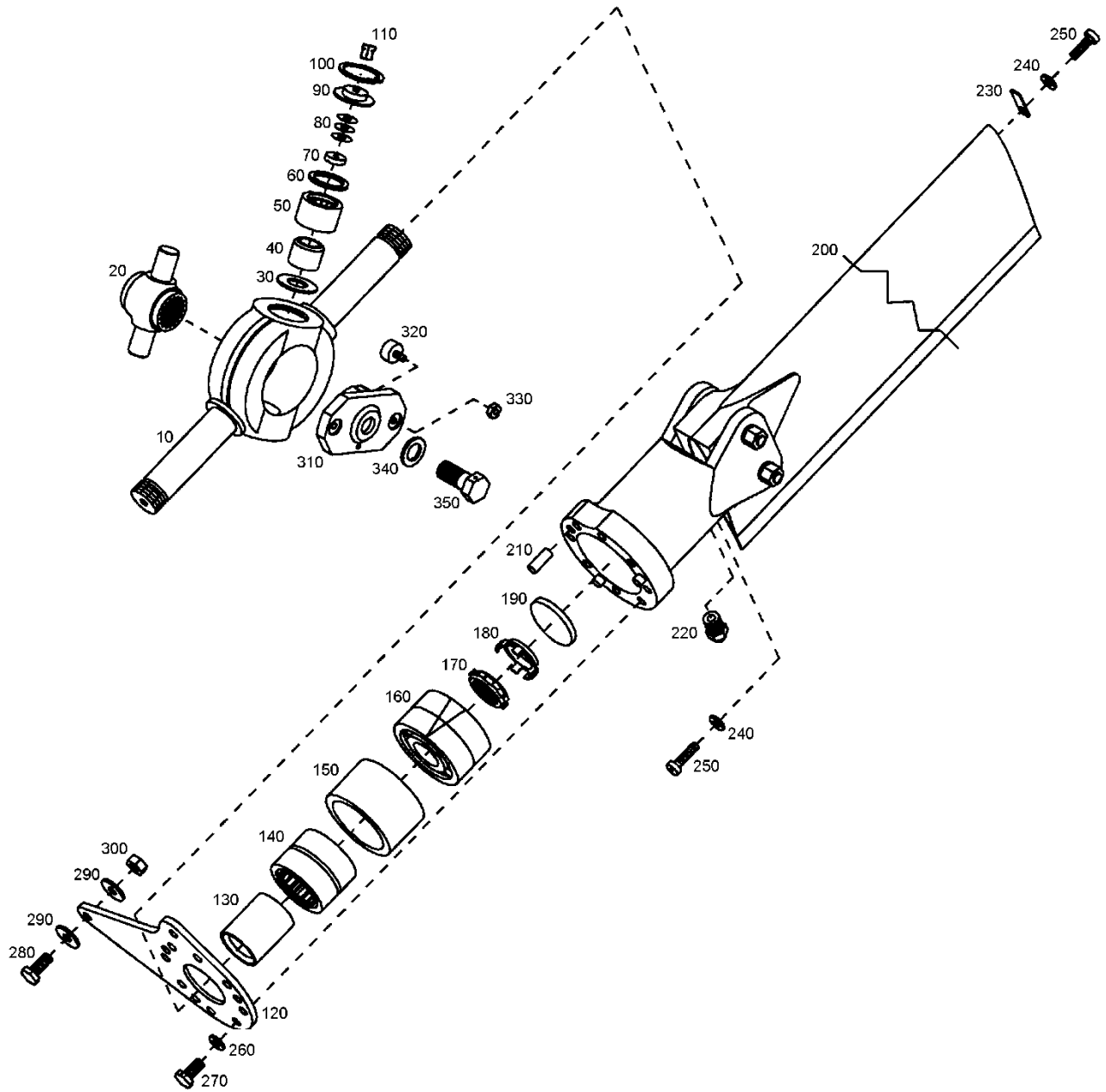


FIGURE 12-13. 28-150079-1, -5 TAIL ROTOR ASSEMBLY

ENSTROM F-28/280 SERIES ILLUSTRATED PARTS CATALOG

FIGURE 12-13. 28-150079-1, -5 TAIL ROTOR ASSEMBLY

ITEM NUMBER	PART NUMBER	DESCRIPTION	QTY PER ASSY	MODELS AFFECTED						
				F-28A	280	F-28C	280C	F-28F	280F	280FX
-	28-150079-5	Tail Rotor Assembly	REF			X	X	X	X	X
-Δ	28-150079-1	Tail Rotor Assembly (Superceded by 28-150079-5)	REF			X	X	X	X	X
-	28-150077-1	. Spindle Assembly	1			X	X	X	X	X
-	28-150077-11	. Spindle Assembly (Alternate)	1			X	X	X	X	X
10♦	28-150074-13	. . Spindle	1			X	X	X	X	X
20♦	28-150067-15	. . Hub	1			X	X	X	X	X
30♦	28-150076-17	. . Washer	2			X	X	X	X	X
40♦	28-150076-15	. . Journal	2			X	X	X	X	X
50♦	B-1210	. . Bearing	2			X	X	X	X	X
60♦	28-150076-19	. . Seal	2			X	X	X	X	X
70♦	28-150076-13	. . Thrust Bumper	2			X	X	X	X	X
80♦	28-150078-10	. . Shim, .010"	A/R			X	X	X	X	X
80♦	28-150078-12	. . Shim, .002"	A/R			X	X	X	X	X
80♦	28-150078-13	. . Shim, .003"	A/R			X	X	X	X	X
80♦	28-150078-15	. . Shim, .005"	A/R			X	X	X	X	X
90♦	28-150076-1	. . End Plate	2			X	X	X	X	X
90♦	28-150076-21	. . End Plate (Replaced by 28-150076-1)	2			X	X	X	X	X
100♦	N5002-100	. . Retaining Ring	2			X	X	X	X	X
110	1877	. . Grease Fitting	2			X	X	X	X	X
120♦	28-150060-11	. Pitch Arm	2			X	X	X	X	X
130♦	28-150063-11	. Sleeve	2			X	X	X	X	X
-130A♦▼	28-150063-13	. Sleeve	2			X	X	X	X	X
140♦	ECD001-11	. Bearing	2			X	X	X	X	X
150♦	28-150055-13	. Bearing Retainer	2			X	X	X	X	X
150♦	28-150055-1	. Bearing Retainer (Replaced by 28-150055-13)	2			X	X	X	X	X
-150A♦▼	28-150055-15	. Bearing Retainer	2			X	X	X	X	X
160♦	ECD002-13	. Bearing	2			X	X	X	X	X
160♦	ECD002-11	. Bearing (Replaced by ECD002-13)	2			X	X	X	X	X

ENSTROM F-28/280 SERIES ILLUSTRATED PARTS CATALOG

FIGURE 12-13. 28-150079-1, -5 TAIL ROTOR ASSEMBLY

ITEM NUMBER	PART NUMBER	DESCRIPTION	QTY PER ASSY	MODELS AFFECTED						
				F-28A	280	F-28C	280C	F-28F	280F	280FX
170◆	CBA-2376	. Lock Nut	2			X	X	X	X	X
170◆	SL61N-5F	. Nut (Alternate)	2			X	X	X	X	X
170◆	SL61N-5P	. Nut (Alternate)	2			X	X	X	X	X
180◆	CBA-2382	. Lock Washer	2			X	X	X	X	X
180◆	SL61W-5P	. Lock Washer (Alternate)	2			X	X	X	X	X
190	28-15033-5	. Bumper	2			X	X	X	X	X
200	28-150001-5	. Tail Rotor Blade and Grip Assembly	2			X	X	X	X	X
210	28-150044-5	. . Dowel	3			X	X	X	X	X
220	1650	. Lube Fitting	2			X	X	X	X	X
230	28-17308-1	. Strike Indicator	2			X	X	X	X	X
240	NAS1149F0316P	. Washer	A/R			X	X	X	X	X
240	AN960-10	. Washer (Superseded by NAS1149F0316P)	A/R			X	X	X	X	X
-	NAS1149F0332P	. Washer	A/R			X	X	X	X	X
-	AN960-10L	. Washer (Superseded by NAS1149F0332P)	A/R			X	X	X	X	X
250*	MS35207-262	. Screw	4			X	X	X	X	X
250*	MS35207-AR	. Screw (Replaced by MS35207-262)	4			X	X	X	X	X
260	NAS1149F0432P	. Washer	16			X	X	X	X	X
260	AN960-416L	. Washer (Alternate)	16			X	X	X	X	X
270	NAS6604H1	. Bolt	16			X	X	X	X	X
270	AN4H4A	. Bolt (Superseded by NAS6604H1)	16			X	X	X	X	X
-	MS20995C32	. Safety Wire	A/R			X	X	X	X	X
280	NAS6604-3	. Bolt	2			X	X	X	X	X
280	AN4-5A	. Bolt (Superseded by NAS6604-3)	2			X	X	X	X	X
290	ECD050-17	. Washer	4			X	X	X	X	X
290	ECD050-11	. Washer (Alternate)	4			X	X	X	X	X
290	1/4 Harper	. Flat Washer, 1/4 X 11/16 (Alternate)	4			X	X	X	X	X

ENSTROM F-28/280 SERIES ILLUSTRATED PARTS CATALOG

FIGURE 12-13. 28-150079-1, -5 TAIL ROTOR ASSEMBLY

ITEM NUMBER	PART NUMBER	DESCRIPTION	QTY PER ASSY	MODELS AFFECTED						
				F-28A	280	F-28C	280C	F-28F	280F	280FX
300	MS21083N4	. Nut	2			X	X	X	X	X
300	AN364-428A	. Nut (Superseded by MS21083N4)	2			X	X	X	X	X
-	28-15030-1	Teeter Stop Assembly	REF			X	X	X	X	X
310	28-15028-1	. Mount Plate	1			X	X	X	X	X
320	16-1	. Bumper	2			X	X	X	X	X
330	MS21083N06	. Nut	2			X	X	X	X	X
330	AN364-632A	. Nut (Superseded by MS21083N06)	2			X	X	X	X	X
340	NAS1149F0763P	. Washer	1			X	X	X	X	X
340	AN960-716	. Washer (Alternate)	1			X	X	X	X	X
350	NAS6607-5	. Bolt	1			X	X	X	X	X
350	AN7H7A	. Bolt (Superseded by NAS6607-5)	1			X	X	X	X	X
-**	28-150079-901	. Tail Rotor Spindle Assembly	1			X	X	X	X	X

△ Effectivity F-28F S/N 818 and subsequent, 280FX S/N 2111 and subsequent; Eligibility F-28F S/N 509 and subsequent, 280FX S/N /2001 and subsequent; and helicopters modified by SIL 0141.

▼ Parts used with 28-150079-5 only.

* Length as required.

** Replaces Kit 28-010se56-1.

◆ Items included in Kit 28-150079-901.

ENSTROM F-28/280 SERIES ILLUSTRATED PARTS CATALOG

APPENDIX B

HARDWARE SUBSTITUTIONS

TABLE OF CONTENTS

Table of Contents	B-1
1 Introduction	B-2
2 Acceptable Substitution Conditions	B-2
3 Hardware Tables	B-2
Table A – Bolts	B-3
Table B – Screws	B-5
Table C – Nuts	B-7
Table D – Nut Plates	B-8
Table E – Solid Rivets	B-10
Table F – Blind Rivets	B-10
Table G – Washers	B-11
Table H – Riv Nuts	B-16
Table I – Turnbuckles	B-17
Table J – Grommets	B-17
Table K – Cotter Pins	B-17
Table L – Clamps (Nylon)	B-18
Table M – Cable Ties	B-18
Table N – U-Channels (Rubber)	B-19
Table O – Shrink Tubing	B-19
Table P – Ring Tongue Terminals	B-20
Table Q – Retaining Rings	B-22
Table R – Cushioned Clamps	B-22
Table S – PlusNuts	B-22
Table T – Solder Sleeve Shield Terminators	B-22
Table U – Pipe Plugs (Countersink Hex Head)	B-22
Table V – Clip Nut	B-22
Table W – Plug and Bleeder – Screw Tread	B-22
Table X – Pin, Retaining, Safety	B-22
Table Y – Quarter Turn Fastener	B-22
Table Z – Quick Disconnect Terminal	B-22
Table AA – Plug (BNC, TNC, N)	B-23
Table AB – Roll Pin	B-23
Table AC – Sleeve, Coupling	B-23
Table AD – Clevis Pin	B-23
Table AE – Quarter (1/4) Turn Fastener Receptacle	B-23
Table AF – Sleeve, Flared Tube Fitting	B-23
Table AG – 3.5 mm Phone Jack	B-23
Table AH – Grease Fitting	B-23
Table AI – Terminal Lug	B-23

ENSTROM F-28/280 SERIES ILLUSTRATED PARTS CATALOG

1. Introduction

This specification establishes the conditions under which hardware may be substituted and lists the specific hardware which may be substituted. These standard substitutions apply only to components and assemblies which are designed by Enstrom and assembled in house. The tables which follow list the substitutions which are permissible. The hardware called out on the drawing is the preferred configuration. Each table contains a left-hand column which lists the basic or preferred hardware. The adjacent column to the right lists the alternate hardware. Alternate hardware may be used as a substitute for the hardware in the left column; however, hardware in the left column may NOT be substituted for hardware listed as alternate. In cases where hardware is interchangeable, 'Equivalent Substitution' will be stated in the right-hand column. In the case where there is no substitution, N/A (no alternate) will be stated in the right-hand column.

2. Acceptable Substitution Conditions

Hardware may be substituted without further approval when all the following conditions apply:

- The preferred hardware is unavailable.
- There is an acceptable alternate listed in this report.
- All other material conditions (hole diameter, material thickness, etc.) are within standard tolerances for the component.

To correct for component stack-up to ensure the nut is not screwed down against the last thread on the bolt and one to three threads showing past the nut, the grip length of the fastener may be substituted without further approval by the following methods:

- The length of rivets, screws, or bolts may be increased or decreased one grip length (a "dash number").
- Washers may be added or subtracted or washer thicknesses may be substituted. Up to a total of three washers may be installed in combination under the head of the bolt and/or nut. (Washer substitutions must be in accordance with standard aircraft practices.)
 - Consult Engineering if it is necessary to remove all the washers or if there is a conflict with the washer requirements on the approved drawing.
- Consult Engineering if a specific hardware installation consistently requires adjustment in accordance with the conditions of this paragraph.

Substitutions may NOT be made in fastener diameter without engineering approval. Substitutions may NOT be made beyond one grip length or "dash number" without engineering approval.

3. Hardware Tables

Tables for substitute hardware are provided on the following pages. If the substitution is applicable to all dash numbers of a particular part number, it will be represented by a set of open parentheses. For example, AN3-() would indicate that the substitution includes all dash numbers for the AN3 bolt.

ENSTROM F-28/280 SERIES ILLUSTRATED PARTS CATALOG

Table A – Bolts

BOLT	ALTERNATE	
AN173-()	N/A	
AN174-()	N/A	
AN175-()	N/A	
AN176-()	N/A	
AN178-()	N/A	
AN3	NAS6603	
-3A	-1	
-10	D10	
-10A	-10	
-11A	-12	
-12	D14	
-12A	-14	
-13	D16	
-13A	-16	
-14A	-18	
-15A	-20	
-16A	-22	
-17A	-24	
-20A	-26	
-21	D28	
-21A	-28	
-22	D30	
-22A	-30	
-23A	-32	
-24A	-34	
-26	D38	
-27A	-40	
-30A	-42	
-31A	-44	
-33A	-48	
-34A	-50	
-4	D2	
-4A	2	
-5	D4	
-5A	-4	
-6	D6	
-6A	-6	
-7	D8	
-7A	-8	
H3A	H1	
H4A	H2	
H5A	H4	

Table A – Bolts

H6A	H6	
H10	DH10	
H13A	H16	
AN3	NAS6703	
C4A	-10	
C10A	D10	
AN4	NAS6604	
-3A	-1	
-4A	-1	
-5A	-3	
-6A	-5	
-7	D7	
-7A	-7	
-10A	-9	
-11	D11	
-11A	-11	
-12	D13	
-12A	-13	
-13	D15	
-13A	-15	
-14	D17	
-14A	-17	
-15	D19	
-15A	-19	
-16	D21	
-16A	-21	
-17	D23	
-17A	-23	
-20	D25	
-20A	-25	
-21A	-27	
-22A	-29	
-23	D31	
-23A	-31	
-25A	-36	
-26A	-38	
-27A	-40	
-30A	-42	
-31A	-44	
-33A	-48	
-34A	-50	
-35A	-52	
-36	D54	

ENSTROM F-28/280 SERIES ILLUSTRATED PARTS CATALOG

Table A – Bolts

-36A	-54	
-37	D56	
-37A	-56	
-42A	-62	
H3A	H1	
H4A	H1	
H5A	H3	
H6A	H5	
H7A	H7	
H10A	H9	
H12A	H13	
H13A	H15	
H14A	H17	
H15A	H19	
H16A	H21	
AN4	NAS6704	
C5A	-3	
AN42BC11A	N/A	
AN42BC14A	N/A	
AN5	NAS6605	
-4A	-1	
-6A	-5	
-7	D7	
-10	D9	
-11	D11	
-11A	-11	
-12	D13	
-13	D15	
-13A	-15	
-15	D19	
-15A	-19	
-16	D21	
-16A	-21	
-17A	-23	
-21A	-27	
-22	D29	
-22A	-29	
-33A	-48	
-35A	-52	
-37A	-56	
-44A	-65	

Table A – Bolts

H4A	H1	
H5A	H3	
H6A	H5	
H7A	H7	
H10A	H9	
H46A	H69	
AN5	NAS6705	
C13A	-15	
AN6	NAS6606	
-6A	-3	
-7A	-5	
-10A	-7	
-11A	-9	
-20A	-23	
-22	D25	
-22A	-25	
-23A	-29	
-24A	-31	
-27A	-38	
-30A	-40	
-33	D46	
H6A	H3	
H34A	-48	
AN7	NAS6607	
-27A	-38	
H7A	-5	
AN73()	MS20073-03-()	
AN74()	MS20073-04-()	
AN75()	MS20073-05-()	
AN76()	MS20073-06-()	
AN73A() ¹	MS20074-03-()	Equivalent Substitution
AN74A() ¹	MS20074-04-()	
AN75A() ¹	MS20074-05-()	
AN76A() ¹	MS20074-06-()	
AN8	NAS6608	
-10A	-5	
LWB-22-6-58	N/A	
MS20006-()	N/A	
MS20074-()	N/A	
MS21250-()	N/A	
MS24677-()	N/A	

¹ Coarse thread

ENSTROM F-28/280 SERIES ILLUSTRATED PARTS CATALOG

Table A – Bolts

NAS144	MS20004	
DH10	H4	
DH12	H4	
NAS146	MS20006	
DH22	H12	
DH24	H14	
NAS1004-()	N/A	
NAS1103-11	NAS6203-11	
NAS1104	NAS6204	
-9D	-9D	
-12	-12	
NAS1204-40D	N/A	
NAS1306	NAS6606	
-8	-8	
-48	-48	
NAS428-()	N/A	
NAS6203-()	N/A	2
NAS6204-()	N/A	
NAS6205-()	N/A	
NAS6206-()	N/A	
NK-6-6A	N/A	
NP5-6A	N/A	

Table B – Screws

SCREW	ALTERNATE	
AN502	NAS1101	
-10-8	-3-8	
-10-10	-3-10	
-10-12	-3-12	
-10-14	-3-14	
-10-18	-3-18	
AN503	NAS1101	
-8-4	-08-4	
-8-6	-08-6	
-8-8	-08-8	
-10-6	N/A	
-10-8	N/A	
-10-10	N/A	
-10-18	N/A	
-416-10	N/A	

Table B – Screws

-416-28	N/A	
AN505-4R6	MS35190-223	
AN505-4R7	MS35190-224	
AN507	MS24693	
-632-12	-S30	
-632R4	-S24	
-632R5	-S25	
-632R6	-S26	
-632R7	-S27	
-632R8	-S28	
-632R12	-S30	
-632R14	-S31	
-632R16	-S32	
-632R24	-S36	
-8-8	-S50	
-8R6	-S48	
-8R7	-S49	
-832-9	-S61	
-832R7	-S49	
-832R8	-S50	
-832R9	-S51	
-832R10	-S51	
-832R11	-S52	
-1032R6	-S270	
-1032R8	-S272	
-1032R10	-S273	
-1032R14	-S275	
-1032R44	-S287	
B632R6	-BB26	
B832R6	-B48	
B832R10	-B51	
C632R8	-C28	
C832-12	-C52	
C832R8	-C50	
C832R14	-C53	
C832R16	-C54	
C832R18	-C55	
C1024R14	-C75	
C1032-12	-C274	

² Equivalent substitution if grip length, exposed thread length, and use of washers, if required, meet the requirements of Paragraph 2

ENSTROM F-28/280 SERIES ILLUSTRATED PARTS CATALOG

Table B – Screws

AN509	MS24694	
-8R4	-S1	
-8R5	-S2	
-8R6	-S3	
-8R7	-S4	
-8R8	-S5	
-8R9	-S6	
-8R10	-S7	
-8R14	-S11	
-8R16	-S13	
-8R18	-S15	
-8R20	-S17	
-10R10	-S52	
-10R16	-S58	
-10R38	-S80	
-516R16	-S148	
AN510	MS35199	
B10R10	-56	
AN515	MS35206	
-2R4	-203	
-4-20	-222	
-4R8	-217	
-4R10	-218	
-4R12	-219	
-5R6	N/A	
-6-3	-225	
-6-6	-228	
-6-7	-229	
-6-24	-236	
-6R4	-226	
-6R5	-227	
-6R6	-228	
-6R7	-229	
-6R8	-230	
-6R11	-232	
-6R18	-328	
-8-7	-244	
-8-8	-245	
-8-10	-246	
-8-16	-249	
-8-24	-251	
-8R5	-242	
-8R6	-243	

Table B – Screws

-8R7	-244	
-8R8	-245	
-8R10	-246	
-8R12	-247	
-8R14	-248	
-8R16	-249	
-8R18	-332	
-8R20	-250	
-8R24	-251	
-8R32	-253	
-10R8	-263	
10R10	-264	
AN515	MS35214	
B6R6	-25	
B6R7	-26	
B6R8	-27	
B6R10	-28	
B6R12	-29	
B6R14	-30	
B6R16	-31	
B6R18	-109	
B8R8	-42	
B8R12	-44	
AN515	MS51957	
C6R12	-32	
C8R5	-42	
AN520-()	MS35207-()	
AN520B()	MS35215-()	
AN520C()	MS51958-()	
AN520DD()	MS35219-()	
AN520PB()	MS35215-()C	
AN525-()	N/A	
AN526-()	N/A	
AN530	MS51861	
-4-6	-14	Self-Tapping
-6-6	-24	
-6-8	-25	
-6R6	-24	
-6R8	-25	
-6R10	-26	
-8R6	-34	
-8R8	-35	

ENSTROM F-28/280 SERIES ILLUSTRATED PARTS CATALOG

Table B – Screws

AN531	MS51862	
-6-6	-13	Self-Tapping
-6R6	-13	
-6R8	-14	
-6R10	-15	
AN535-()	MS21318-()	
BN4CPK5	N/A	
MS16998-()	N/A	
MS18063-8	25274N	
MS18066-()	N/A	
MS24693-()	N/A	
MS24694-()	N/A	
MS27039-()	N/A	
MS35206-()	N/A	
MS35214-()	N/A	
MS35265-()	N/A	
MS51957-()	N/A	
NP500-()	NK500-()	Equivalent Substitution
NP501-()	NK501-()	
NP509-()	NK509-()	
NP510-()	NK510-()	
NP525-()	NK525-()	
PK86XA()	N/A	
PK89XA()	N/A	
4122080-19	NAS1352-08H6	

Table C - Nuts

NUT	ALTERNATE	
AN310-5	MS17825-5	
AN315-()	N/A	
AN316-()	N/A	
AN320-()	N/A	
AN335-420	MS51967-2	
AN340	MS35649	
-4	-242	
-8	-282	
-632	-262	
-832	-282	
B832	-286B	
AN341-516	MS35650-3315T	

Table C - Nuts

AN345	MS35650		
-10	-302		
C416	-3254		
AN350-1032	MS35426-13		
AN363-524	MS21045L5		
AN364-()	MS20364-()	Equivalent Substitution	
AN364-()	MS21083		
-428A	N4		
-524A	N5		
-624A	N6		
-632A	N06		
-820A	N8		
-832A	N08		
-1018A	N10		
-1032A	N3		
-1216A	N12		
AN365-()	MS21044		
-428A	N4		
-524A	N5		
-624A	N6		
-632A	N06		
-832A	N08		
-1032A	N3		
AN365-()	MS20365-()	Equivalent Substitution	
AN818-()	AN818-()J		
AN924-()D	AN924-()W		
FN-22M-624	N/A		
F12NE-4717	MS17826		
-02	-3		
-048	-4		
-054	-5		
-064	-6		
-070	-7		
-080	-8		
F12NE-4753	MS17825		
-02	-3		
-048	-4		
-054	-5		
-064	-6		
-080	-8		

ENSTROM F-28/280 SERIES ILLUSTRATED PARTS CATALOG

Table C - Nuts

MS17826-()	N/A	
MS20364-()	MS21083N()	
MS20365-()	MS21044N()	
MS20500-()	N/A	
MS21042-()	N/A	
MS21043-()	N/A	
MS21044-()	N/A	
MS51922-1	M45913/2-4CG5C	
NAS509-()	N/A	
NAS679-()	N/A	
22NKM()	F22NKM()	Equivalent Substitution
37FL624	N/A	

Table D – Nut Plates

F22NA17	NAJ17	
-02BC	-02BC	3
-62	-62	
-62BC	-62BC	
-82	-82	
-82BC	-82BC	
MS21055L3	N/A	
MS21059L08K	MS21059L08	Nutplate attachment rivet use NAS1097AD 3 ⁴
MS21069-08K	MS21069-08	
MS21073-()	N/A	
MS21075L()	NAS1068()	Equivalent Substitution
MS21078	F22NA1	
-3	-02	Equivalent Substitution
-4	-048	
-06	-62	
-08	-82	
-08K	-82BC	
MS21078	MS21078	
-3K	-3	Nutplate attachment rivet use NAS1097AD 3 ⁵
-4K	-4	
-08K	-08	
MS21078	NAJ1	
-06	-62	6
-06K	-62BC	
-08	-82	
-08K	-82BC	
-3	-02	
-3K	-02BC	

Table D – Nut Plates

NUT PLATE	ALTERNATE	
A1784-6Z1D	NAS395-6	
A1785-6Z-1	NAS395-7	
A1787-8Z1D	NAS395-18	
A1789-8Z-1	NAS395-16	
A6162-8Z-1	NAS444-14	
A6191-8Z-1	NAS444-4	
A6194-8Z-1	NAS445-4	
A6195-6Z-1	NAS444-2	
A6195-8Z-1	NAS444-5	
A6196-8Z-1	NAS445-5	
F22LHA27M22-62	N/A	
F22NA1	MS21078	
-02	-3	Equivalent Substitution
-048	-4	
-62	-06	
-82	-08	
-82BC	-08K	
F22NA17A	MS21080	
-02	-3	Equivalent Substitution
-048	-4	
-62	-06	
-82	-08	

³ Equivalent Substitution is permissible when the NAJ() nut plate is unavailable

⁴ Minimum sheet thickness .025

⁵ Equivalent Substitution is permissible when the NAJ() nut plate is unavailable

⁶ Equivalent Substitution is permissible when the NAJ() nut plate is unavailable

ENSTROM F-28/280 SERIES ILLUSTRATED PARTS CATALOG

Table D – Nut Plates

MS21080	MS21080	
-3K	-3	Nutplate attachment rivet use NAS1097AD3 ⁷
-4K	-4	
-08K	-08	
NAJ17-02BC	MS21080-3K	
NAJ38-82BC	NAS1024D08K	
NAJ5-048	NAS1027D4	
NAS1023-()	MS21078-()	Equivalent Substitution
NAS1023	NAJ1	
D06	-62	8
D06K	-62BC	
D08	-82	
D08K	82BC	
NAS1023D08K	NAS1023D08	
NAS1023D08K	MS21078-08K	
NAS1024D08K	NAS1024D08	Nutplate attachment rivet use NAS1097AD3 ¹⁰
NAS1025D06K	NAJ17-62BC	
NAS1025D08K	NAS1025D08	Nutplate attachment rivet use NAS1097AD3 ¹¹
NAS1024D08K	NAS1024N08K	
NAS1024N08K	NAS1024A08K	
NAS1024N08K	MS21078-08	Use with NAS500WKD8 nutplate spacer
NAS1025	NAJ17	
D3K	-02BC	12
D06	-62	

Table D – Nut Plates

D06K	-62BC	
D08	-82	
D08K	-82BC	
NAS1026N08K	NAS1026A08K	
NAS1033N06	N/A	
NAS1474A3	N/A	
NAS686()	MS21059()	Equivalent Substitution
12LHTA1M-62	MS21069-06	Equivalent Substitution
12LHTA1M-62BC	MS21069-06K	
12LHTA17M-62	MS21071-06	
12LHTA17M-62BC	MS21071-06K	
22NA17A-02	F22NA17A	Equivalent Substitution
22NA17A-02	MS21080-3	13
22NA17A-82BC	F22NA17A	Equivalent Substitution
22NA17A-82BC	MS21080-08K	14
22NA21-22-02	N/A	
22NA21-22-048	N/A	
22NA27-22-02	F22NA27	Equivalent Substitution
22NA27-22-02	NAS1033N3	
22NA27-68-02	F22NA27	Equivalent Substitution
22NA27-68-02	NAS1033D3	15
22NA217-22-048	NAS1032P4	
52LHTA51-M82	MS21069-08	
52LHTA51M-82BC	MS21069-08K	
68NA1-02	NAS1023D3	
68NA1-048	F22NA1-048	
68NA1-62BC	NAS1023D06K	

⁷ Minimum sheet thickness .025

⁸ Equivalent Substitution is permissible when the NAJ() nut plate is unavailable

⁹ Minimum sheet thickness .025

¹⁰ Minimum sheet thickness .025

¹¹ Minimum sheet thickness .025

¹² Equivalent Substitution is permissible when the NAJ() nut plate is unavailable

¹³ "F" prefix (Type II cadmium plate) is also an acceptable alternate to original finish (Type I cadmium plate)

¹⁴ "F" prefix (Type II cadmium plate) is also an acceptable alternate to original finish (Type I cadmium plate)

¹⁵ "F" prefix (Type II cadmium plate) is also an acceptable alternate to original finish (Type I cadmium plate)

ENSTROM F-28/280 SERIES ILLUSTRATED PARTS CATALOG

Table D – Nut Plates

68NA17A-82	NAS1025D08	
68-NA21-68-02	NAS686A3	

Table E – Solid Rivets

SOLID RIVET	ALTERNATE	
AN426A()	MS20426A()	Equivalent Substitution
AN426AD()	MS20426AD()	
AN427M4-7	MS20427M-7	Equivalent Substitution
AN470A()	MS20470A()	Equivalent Substitution
AN470AD()	MS20470AD()	
MS20427M-7	AN427M4-7	
MS20435M3-8	MS20615-3M8	

Table F – Blind Rivets

BLIND RIVET	ALTERNATE	
CCR264SS	MS20605S	
-3-02	-3-W2	Equivalent Substitution
-3-03	-3-W3	
-3-04	-3-W4	
-3-05	-3-W5	
CR2163	NAS1398D	
-4-02	-4-2	Equivalent Substitution
-4-04	-4-4	
CR2249	NAS1738B	
-5-02	-5-2	Equivalent Substitution
-5-03	-5-3	
-5-06	-5-6	
-5-07	-5-7	
-5-08	-5-8	
CR3212	NAS9302B	
-4-02	-4-2	Equivalent Substitution
-4-03	-4-3	
-4-04	-4-4	
-4-05	-4-5	
-5-02	-5-2	
-5-03	-5-3	

Table F – Blind Rivets

CR3213	NAS9301B	
-4-01	-4-1	Equivalent Substitution
-4-02	-4-2	
-4-03	-4-3	
-4-04	-4-4	
-4-05	-4-5	
-4-06	-4-6	
-4-07	-4-7	
-4-09	-4-9	
-5-02	-5-2	
-5-03	-5-3	
-5-04	-5-4	
-6-02	-6-2	Equivalent Substitution
-6-03	-6-3	
-6-04	-6-4	
-6-05	-6-5	
CR9162-4-02	MS20601AD4W2	
CR9163	MS20600	
-4-01	AD4W1	Equivalent Substitution
-4-02	AD4W2	
-4-03	AD4W3	
MS20426()	CCR264SS()	Nutplate Rivet
NAS1097()	CCR244SS()	Nutplate Rivet
NAS1398D5A2	RV1200-5-2	Equivalent Substitution
NAS1738()	N/A	
RV1200-5-2	NAS1398D5A2	Equivalent Substitution
SD42BS ¹⁶	CCP-42	
SD44BS ¹⁷	CCP-44	

¹⁶ Commercial Product: SD42BS equivalents include SB4-2, SS D42, SSP-42, SS42F, S/S 42D and 4-2SSD

¹⁷ Commercial Product: SD44BS equivalents include SB4-4, SS D44, SSP-44, SS44F, S/S 44D and 4-SSD

ENSTROM F-28/280 SERIES ILLUSTRATED PARTS CATALOG

Table G – Washers

WASHER	ALTERNATE	
AN935	MS35338	
-4	-40	Equivalent Substitution
-6	-41	
-8	-42	
-8L	-42	
B8L	-99	
-10	-43	
-416	-44	
-416L	-44	
AN936	MS35333	
A6	-37	Equivalent Substitution
A8	-38	
A10	-39	
A416	-40	
A516	-41	
A616	-42	
A716	-43	
A816	-44	
A1216	-47	
-B4	-29	
AN940-13	MS27183-1	
AN960 ¹⁸	NAS1149	
-3L	FN316P	Equivalent Substitution
-4L	FN416P	
-6	FN632P	
-6L	FN616P	
-8	FN832P	
-8L	FN816P	
-10	F0363P	
-10L	F0332P	
-416	F0463P	
-416L	F0432P	
-516	F0563P	
-516L	F0532P	
-616	F0663P	
-616L	F0632P	
-716	F0763P	
-716L	F0732P	
-816	F0863P	

Table G – Washers

-916	F0963P	Equivalent Substitution
-1216L	F1232P	
B6	BN632H	
B8	BN832H	
B416L	N/A	
C6	CN632R	
C10	C0363R	
C10L	C0332R	
C416	C0463R	
C416L	C0432R	
C516	C0563R	
C516L	C0532R	
C616L	C0632R	
C816	C0863R	
C1216	C1290R	
C1616	C1690R	
CD6L	N/A	
D3L	DN316H	
D10	D0363H	
D10L	D0316H	
D416	D0463H	
D416L	D0416H	
D516	D0563H	
D516L	D0516H	
D616	D0663H	
D616L	D0616H	
D6L	DN616H	
D8	DN832H	
D8L	DN816H	
D9	DN949H	
KD10L	D0332K	
PD8L	DN816J	
PD10	D0363J	
PD10L	D0316J	
PD416	D0463J	
PD416L	D0416J	
AN960	NAS620	Equivalent Substitution
AN970-()	N/A	
AN975-()	N/A	

¹⁸ Extended AN960 listing is located at the end of this table.

ENSTROM F-28/280 SERIES ILLUSTRATED PARTS CATALOG

Table G – Washers

HARPER	BOKER'S	
3/16	C145712 ¹⁹	Equivalent Substitution
1/4	C102780 ²⁰	
3/8	C102781 ²¹	
HARPER	ECD050	
3/16	-21 ²²	Equivalent Substitution
1/4	-11 ²³	
5/16	-19 ²⁴	
3/8	-15 ²⁵	
5/8	-17 ²⁶	
BOKER'S	ECD050	
C102780	-11	Equivalent Substitution
C102781	-15	
C145712	-21	
C162187	-11	
C162188	-13	
C162189	-15	
C162190	-17	
C162191	-19	
C172152	-23	
C173300	-25	
MS20002-()	N/A	
MS27183-1	AN940-13	
MS51859-15	N/A	
NAS1149	NAS620	Equivalent Substitution

¹⁹ 0.688" OD x 0.203" ID x 0.041", 304 Stainless Steel

²⁰ 0.69" OD x 0.265" ID x 0.048", 304 Stainless Steel

²¹ 1.00" OD x 0.392" ID x 0.062", 316 Stainless Steel

²² 0.688" OD x 0.203" ID x 0.041", 304 Stainless Steel

²³ 0.69" OD x 0.265" ID x 0.048", 304 Stainless Steel

²⁴ 0.875" OD x 0.337" ID x 0.062", 316 Stainless Steel

²⁵ 1.00" OD x 0.392" ID x 0.062", 316 Stainless Steel

²⁶ 0.625" OD x 0.260" ID x 0.062", 316 Stainless Steel

ENSTROM F-28/280 SERIES ILLUSTRATED PARTS CATALOG

Washers, Extended AN960 Listing

PART NUMBERS					
CANCELLED PART NUMBER	SUBSTITUTE PART NUMBER	CANCELLED PART NUMBER	SUBSTITUTE PART NUMBER	CANCELLED PART NUMBER	SUBSTITUTE PART NUMBER
AN960-2L	NAS1149FN216P	AN960C2L	NAS1149CN216R	AN960XC2L	NAS1149CN216B
AN960-2	NAS1149FN232P	AN960C2	NAS1149CN232R	AN960XC2	NAS1149CN232B
AN960-3L	NAS1149FN316P	AN960C3L	NAS1149CN316R	AN960XC3L	NAS1149CN316B
AN960-3	NAS1149FN332P	AN960C3	NAS1149CN332R	AN960XC3	NAS1149CN332B
AN960-4L	NAS1149FN416P	AN960C4L	NAS1149CN416R	AN960XC4L	NAS1149CN416B
AN960-4	NAS1149FN432P	AN960C4	NAS1149CN432R	AN960XC4	NAS1149CN432B
AN960-5	NAS1149FN542P	AN960C5	NAS1149CN542R	AN960XC5	NAS1149CN542B
AN960-6L	NAS1149FN616P	AN960C6L	NAS1149CN616R	AN960XC6L	NAS1149CN616B
AN960-6	NAS1149FN632P	AN960C6	NAS1149CN632R	AN960XC6	NAS1149CN632B
AN960-8L	NAS1149FN816P	AN960C8L	NAS1149CN816R	AN960XC8L	NAS1149CN816B
AN960-8	NAS1149FN832P	AN960C8	NAS1149CN832R	AN960XC8	NAS1149CN832B
AN960-9	NAS1149FN949P	AN960C9	NAS1149CN949R	AN960XC9	NAS1149CN949B
AN960-10L	NAS1149F0332P	AN960C10L	NAS1149C0332R	AN960XC10LL	NAS1149C0316B
AN960-10	NAS1149F0363P	AN960C10	NAS1149C0363R	AN960XC10L	NAS1149C0332B
AN960-11	NAS1149F1165P	AN960C11	NAS1149C1165R	AN960XC10	NAS1149C0363B
AN960-416L	NAS1149F0432P	AN960C416L	NAS1149C0432R	AN960XC11	NAS1149C1165B
AN960-416	NAS1149F0463P	AN960C416	NAS1149C0463R	AN960XC416L	NAS1149C0432B
AN960-516L	NAS1149F0532P	AN960C516L	NAS1149C0532R	AN960XC416	NAS1149C0463B
AN960-516	NAS1149F0563P	AN960C516	NAS1149C0563R	AN960XC516L	NAS1149C0532B
AN960-616LL	NAS1149F0616P	AN960C616LL	NAS1149C0616R	AN960XC516	NAS1149C0563B
AN960-616L	NAS1149F0632P	AN960C616L	NAS1149C0632R	AN960XC616LL	NAS1149C0616B
AN960-616	NAS1149F0663P	AN960C616	NAS1149C0663R	AN960XC616L	NAS1149C0632B
AN960-716L	NAS1149F0732P	AN960C716L	NAS1149C0732R	AN960XC616	NAS1149C0663B
AN960-716	NAS1149F0763P	AN960C716	NAS1149C0763R	AN960XC716LL	NAS1149C0716B
AN960-816L	NAS1149F0832P	AN960C816L	NAS1149C0832R	AN960XC716L	NAS1149C0732B
AN960-816	NAS1149F0863P	AN960C816	NAS1149C0863R	AN960XC716	NAS1149C0763B
AN960-916L	NAS1149F0932P	AN960C916L	NAS1149C0932R	AN960XC816L	NAS1149C0832B
AN960-916	NAS1149F0963P	AN960C916	NAS1149C0963R	AN960XC816	NAS1149C0863B
AN960-1016L	NAS1149F1032P	AN960C1016L	NAS1149C1032R	AN960XC916L	NAS1149C0932B
AN960-1016	NAS1149F1063P	AN960C1016	NAS1149C1063R	AN960XC916	NAS1149C0963B
AN960-1216L	NAS1149F1232P	AN960C1216L	NAS1149C1232R	AN960XC1016L	NAS1149C1032B
AN960-1216	NAS1149F1290P	AN960C1216	NAS1149C1290R	AN960XC1016	NAS1149C1063B
AN960-1416L	NAS1149F1432P	AN960C1416L	NAS1149C1432R	AN960XC1216L	NAS1149C1232B
AN960-1416	NAS1149F1490P	AN960C1416	NAS1149C1490R	AN960XC1216	NAS1149C1290B
AN960-1616L	NAS1149F1632P	AN960C1616L	NAS1149C1632R	AN960XC1416L	NAS1149C1432B
AN960-1616	NAS1149F1690P	AN960C1616	NAS1149C1690R	AN960XC1416	NAS1149C1490B
AN960-1716L	NAS1149F1732P	AN960C1716	NAS1149C1732R	AN960XC1616L	NAS1149C1632B
AN960-1716	NAS1149F1790P	AN960C1816	NAS1149C1890R	AN960XC1616	NAS1149C1690B
AN960-1816L	NAS1149F1832P	AN960C2016	NAS1149C2090R	AN960XC1716	NAS1149C1790B
AN960-1816	NAS1149F1890P	AN960C2116	NAS1149C2190R	AN960XC1816	NAS1149C1890B
AN960-2016L	NAS1149F2032P	AN960C2616	NAS1149C2690R	AN960XC2016	NAS1149C2090B
AN960-2016	NAS1149F2090P	AN960C3016	NAS1149C3090R	AN960XC2116	NAS1149C2190B
AN960-2116L	NAS1149F2132P	AN960C3616	NAS1149C3690R	AN960XC2616	NAS1149C2690B
AN960-2116	NAS1149F2190P	AN960C4016	NAS1149C4090R	AN960XC3016	NAS1149C3090B
AN960-2616L	NAS1149F2632P			AN960XC3616	NAS1149C3690B
AN960-2616	NAS1149F2690P			AN960XC4016	NAS1149C4090B
AN960-3016L	NAS1149F3032P				
AN960-3016	NAS1149F3090P				
AN960-3616L	NAS1149F3632P				
AN960-3616	NAS1149F3690P				
AN960-4016L	NAS1149F4032P				
AN960-4016	NAS1149F4090P				

ENSTROM F-28/280 SERIES ILLUSTRATED PARTS CATALOG

Washers, Extended AN960 Listing

PART NUMBERS					
CANCELLED PART NUMBER	SUBSTITUTE PART NUMBER	CANCELLED PART NUMBER	SUBSTITUTE PART NUMBER	CANCELLED PART NUMBER	SUBSTITUTE PART NUMBER
AN960JD2L	NAS1149DN216J	AN960B2	NAS1149BN232H	AN960KD2L	NAS1149DN216K
AN960JD	NAS1149DN232J	AN960B3	NAS1149BN332H	AN960KD2	NAS1149DN232K
AN960JD3L	NAS1149DN316J	AN960B4	NAS1149BN432H	AN960KD3L	NAS1149DN316K
AN960JD3	NAS1149DN332J	AN960B5	NAS1149BN542H	AN960KD3	NAS1149DN332K
AN960JD4L	NAS1149DN416J	AN960B6	NAS1149BN632H	AN960KD4L	NAS1149DN416K
AN960JD4	NAS1149DN432J	AN960B8	NAS1149BN832H	AN960KD4	NAS1149DN432K
AN960JD5	NAS1149DN542J	AN960B9	NAS1149BN949H	AN960KD5	NAS1149DN542K
AN960JD6L	NAS1149DN616J	AN960B10	NAS1149B0363H	AN960KD6L	NAS1149DN616K
AN960JD6	NAS1149DN632J	AN960B11	NAS1149B1165H	AN960KD6	NAS1149DN632K
AN960JD8L	NAS1149DN816J	AN960B416	NAS1149B0463H	AN960KD8L	NAS1149DN816K
AN960JD8	NAS1149DN832J	AN960B516	NAS1149B0563H	AN960KD8	NAS1149DN832K
AN960JD9	NAS1149DN949J	AN960B616	NAS1149B0663H	AN960KD9	NAS1149DN949K
AN960JD10LL	NAS1149D0316J	AN960B716	NAS1149B0763H	AN960KD10LL	NAS1149D0316K
AN960JD10L	NAS1149D0332J	AN960B816	NAS1149B0863H	AN960KD10L	NAS1149D0332K
AN960JD10	NAS1149D0363J	AN960B916	NAS1149B0963H	AN960KD10	NAS1149D0363K
AN960JD11	NAS1149D1165J	AN960B1016	NAS1149B1063H	AN960KD11	NAS1149D1165K
AN960JD416L	NAS1149D0416J	AN960B1216	NAS1149B1290H	AN960KD416L	NAS1149D0416K
AN960JD416	NAS1149D0463J	AN960B1416	NAS1149B1490H	AN960KD416	NAS1149D0463K
AN960JD516L	NAS1149D0516J	AN960B1616	NAS1149B1690H	AN960KD516L	NAS1149D0516K
AN960JD516	NAS1149D0563J	AN960B1716	NAS1149B1790H	AN960KD516	NAS1149D0563K
AN960JD616L	NAS1149D0616J	AN960B1816	NAS1149B1890H	AN960KD616L	NAS1149D0616K
AN960JD616	NAS1149D0663J	AN960B2016	NAS1149B2090H	AN960KD616	NAS1149D0663K
AN960JD716L	NAS1149D0716J	AN960B2116	NAS1149B2190H	AN960KD716L	NAS1149D0716K
AN960JD716	NAS1149D0763J	AN960B2616	NAS1149B2690H	AN960KD716	NAS1149D0763K
AN960JD816L	NAS1149D0816J	AN960B3016	NAS1149B3090H	AN960KD816L	NAS1149D0816K
AN960JD816	NAS1149D0863J	AN960B3616	NAS1149B3690H	AN960KD816	NAS1149D0863K
AN960JD916L	NAS1149D0916J	AN960B4016	NAS1149B4090H	AN960KD916L	NAS1149D0916K
AN960JD916	NAS1149D0963J			AN960KD916	NAS1149D0963K
AN960JD1016L	NAS1149D1016J			AN960KD1016L	NAS1149D1016K
AN960JD1016	NAS1149D1063J			AN960KD1016	NAS1149D1063K
AN960JD1216L	NAS1149D1216J			AN960KD1216L	NAS1149D1216K
AN960JD1216	NAS1149D1290J			AN960KD1216	NAS1149D1290K
AN960JD1416L	NAS1149D1416J			AN960KD1416L	NAS1149D1416K
AN960JD1416	NAS1149D1490J			AN960KD1416	NAS1149D1490K
AN960JD1616L	NAS1149D1616J			AN960KD1616L	NAS1149D1616K
AN960JD1616	NAS1149D1690J			AN960KD1616	NAS1149D1690K
AN960JD1716L	NAS1149D1716J			AN960KD1716L	NAS1149D1716K
AN960JD1716	NAS1149D1790J			AN960KD1716	NAS1149D1790K
AN960JD1816L	NAS1149D1816J			AN960KD1816L	NAS1149D1816K
AN960JD1816	NAS1149D1890J			AN960KD1816	NAS1149D1890K
AN960JD2016L	NAS1149D2016J			AN960KD2016L	NAS1149D2016K
AN960JD2016	NAS1149D2090J			AN960KD2016	NAS1149D2090K
AN960JD2116L	NAS1149D2116J			AN960KD2116L	NAS1149D2116K
AN960JD2116	NAS1149D2190J			AN960KD2116	NAS1149D2190K
AN960JD2616L	NAS1149D2616J			AN960KD2616L	NAS1149D2616K
AN960JD2616	NAS1149D2690J			AN960KD2616	NAS1149D2690K
AN960JD3016L	NAS1149D3016J			AN960KD3016L	NAS1149D3016K
AN960JD3016	NAS1149D3090J			AN960KD3016	NAS1149D3090K
AN960JD3616L	NAS1149D3616J			AN960KD3616L	NAS1149D3616K
AN960JD3616	NAS1149D3690J			AN960KD3616	NAS1149D3690K
AN960JD4016L	NAS1149D4016J			AN960KD4016L	NAS1149D4016K
AN960JD4016	NAS1149D4090J			AN960KD4016	NAS1149D4090K

ENSTROM F-28/280 SERIES ILLUSTRATED PARTS CATALOG

Washers, Extended AN960 Listing

PART NUMBERS			
CANCELLED PART NUMBER	SUBSTITUTE PART NUMBER	CANCELLED PART NUMBER	SUBSTITUTE PART NUMBER
AN960PD2L	NAS1149DN216J	AN960D2L	NAS1149DN216H
AN960PD2	NAS1149DN232J	AN960D2	NAS1149DN232H
AN960PD3L	NAS1149DN316J	AN960D3L	NAS1149DN316H
AN960PD3	NAS1149DN332J	AN960D3	NAS1149DN332H
AN960PD4L	NAS1149DN416J	AN960D4L	NAS1149DN416H
AN960PD4	NAS1149DN432J	AN960D4	NAS1149DN432H
AN960PD5	NAS1149DN542J	AN960D5	NAS1149DN542H
AN960PD6L	NAS1149DN616J	AN960D6L	NAS1149DN616H
AN960PD6	NAS1149DN632J	AN960D6	NAS1149DN632H
AN960PD8L	NAS1149DN816J	AN960D8L	NAS1149DN816H
AN960PD8	NAS1149DN832J	AN960D8	NAS1149DN832H
AN960PD9	NAS1149DN949J	AN960D9	NAS1149DN949H
AN960PD10L	NAS1149D0316J	AN960D10L	NAS1149D0316H
AN960PD10	NAS1149D0363J	AN960D10	NAS1149D0363H
AN960PD11	NAS1149D1165J	AN960D11	NAS1149D1165H
AN960PD416L	NAS1149D0416J	AN960D416L	NAS1149D0416H
AN960PD416	NAS1149D0463J	AN960D416	NAS1149D0463H
AN960PD516L	NAS1149D0516J	AN960D516L	NAS1149D0516H
AN960PD516	NAS1149D0563J	AN960D516	NAS1149D0563H
AN960PD616L	NAS1149D0616J	AN960D616L	NAS1149D0616H
AN960PD616	NAS1149D0663J	AN960D616	NAS1149D0663H
AN960PD716L	NAS1149D0716J	AN960D716L	NAS1149D0716H
AN960PD716	NAS1149D0763J	AN960D716	NAS1149D0763H
AN960PD816L	NAS1149D0816J	AN960D816L	NAS1149D0816H
AN960PD816	NAS1149D0863J	AN960D816	NAS1149D0863H
AN960PD916L	NAS1149D0916J	AN960D916L	NAS1149D0916H
AN960PD916	NAS1149D0963J	AN960D916	NAS1149D0963H
AN960PD1016L	NAS1149D1016J	AN960D1016L	NAS1149D1016H
AN960PD1016	NAS1149D1063J	AN960D1016	NAS1149D1063H
AN960PD1216L	NAS1149D1216J	AN960D1216L	NAS1149D1216H
AN960PD1216	NAS1149D1290J	AN960D1216	NAS1149D1290H
AN960PD1416L	NAS1149D1416J	AN960D1416L	NAS1149D1416H
AN960PD1416	NAS1149D1490J	AN960D1416	NAS1149D1490H
AN960PD1616L	NAS1149D1616J	AN960D1616L	NAS1149D1616H
AN960PD1616	NAS1149D1690J	AN960D1616	NAS1149D1690H
AN960PD1716L	NAS1149D1716J	AN960D1716L	NAS1149D1716H
AN960PD1716	NAS1149D1790J	AN960D1716	NAS1149D1790H
AN960PD1816L	NAS1149D1816J	AN960D1816L	NAS1149D1816H
AN960PD1816	NAS1149D1890J	AN960D1816	NAS1149D1890H
AN960PD2016L	NAS1149D2016J	AN960D2016L	NAS1149D2016H
AN960PD2016	NAS1149D2090J	AN960D2016	NAS1149D2090H
AN960PD2116L	NAS1149D2116J	AN960D2116L	NAS1149D2116H
AN960PD2116	NAS1149D2190J	AN960D2116	NAS1149D2190H
AN960PD2616L	NAS1149D2616J	AN960D2616L	NAS1149D2616H
AN960PD2616	NAS1149D2690J	AN960D2616	NAS1149D2690H
AN960PD3016L	NAS1149D3016J	AN960D3016L	NAS1149D3016H
AN960PD3016	NAS1149D3090J	AN960D3016	NAS1149D3090H
AN960PD3616L	NAS1149D3616J	AN960D3616L	NAS1149D3616H
AN960PD3616	NAS1149D3690J	AN960D3616	NAS1149D3690H
AN960PD4016L	NAS1149D4016J	AN960D4016L	NAS1149D4016H
AN960PD4016	NAS1149D4090J	AN960D4016	NAS1149D4090H

ENSTROM F-28/280 SERIES ILLUSTRATED PARTS CATALOG

Table H – Riv Nuts

RIV NUT	ALTERNATE	
A8K75	MS27130A13K	Equivalent Substitution
A10K	MS27130	
80 116 130 166 216	A25K A99K A26K A100K A101K	Equivalent Substitution
MS27130	A10K	
A25K A99K A26K A100K A101K	80 116 130 166 216	Equivalent Substitution
MS27130	NAS1329	
A13K A25K A26K	A8K75 A3K80 AK130	Equivalent Substitution
MS27130	NAS1330	
A99K A100K A101K	A3K116 A3K166 A3K216	Equivalent Substitution
NAS1329	MS27130	
A8K75 A3K80 AK130	A13K A25K A26K	Equivalent Substitution
NAS1330	MS27130	
A3K116 A3K166 A3K216	A99K A100K A101K	Equivalent Substitution

ENSTROM F-28/280 SERIES ILLUSTRATED PARTS CATALOG

Table I - Turnbuckles

TURN BUCKLE	ALTERNATE	
MS21251-()	N/A	
MS21256-()	N/A	

Table J - Grommets

GROMMET	ALTERNATE	
AN931	MS35489	
-2-9	-2	
-2-16	-3	
-3-5	-4	
-3-9	-134	
-3-10	-5	
-4-7	-6	
-4-12	-7	
-4-16	-8	
-5-9	-9	
-5-12	-10	
-5-13	-118	
-6-10	-11	
-6-16	-12	
-7-11	-13	
-8-13	-14	
-8-20	-15	
-9-13	-16	
-10-14	-17	
-10-20	-18	
-11-16	-19	
-12-17	-20	
-12-20	-135	
-12-23	-21	
-12-26	-120	
-14-20	-22	
-14-26	-121	
-16-22	-23	
-16-30	-24	
-20-38	-25	
-20-40	-26	
-24-28	-27	

Table K - Cotter Pins

COTTER PINS	ALTERNATE	
AN381	MS24665	
-1-6	N/A	
-1-8	-22	
-1-12	-24	
-1-16	-26	
-15-5	N/A	
-15-6	N/A	
-15-7	N/A	
-15-8	-58	
-15-10	N/A	
-15-12	-88	
-15-14	N/A	
-15-16	-90	
-15-20	-91	
-15-24	-92	
-15-28	-93	
-15-32	-94	
-2-5	N/A	
-2-6	N/A	
-2-7	-1013	
-2-8	-151	
-2-10	-152	
-2-12	-153	
-2-14	N/A	
-2-16	-155	
-2-20	-157	
-2-24	-159	
-2-28	-161	
-2-32	-162	
-25-8	-227	
-25-10	N/A	
-25-12	-229	
-25-14	N/A	
-25-16	-231	
-25-18	N/A	
-25-20	-233	
-25-22	N/A	
-25-24	-235	
-25-26	N/A	
-25-28	-237	

ENSTROM F-28/280 SERIES ILLUSTRATED PARTS CATALOG

Table K – Cotter Pins

-25-32	-238	
-3-8	-298	
-3-10	N/A	
-3-12	-300	
-3-14	N/A	
-3-16	-302	
-3-18	N/A	
-3-20	-304	
-3-22	N/A	
-3-24	-306	
-3-26	N/A	
-3-28	-308	
-3-32	-309	
-4-8	-366	
-4-12	-368	
-4-14	N/A	
-4-16	-370	
-4-18	N/A	
-4-20	-372	
-4-22	N/A	
-4-24	374	
-4-26	N/A	
-4-28	-376	
-4-32	-377	
-4-36	-378	
-5-8	N/A	
-5-12	-436	
-5-16	-437	
-5-18	N/A	
-5-20	-439	
-5-22	N/A	
-5-24	-441	
-5-26	N/A	
-5-28	-443	
-5-32	-444	
-5-36	-445	
-5-40	-446	
-6-24	-513	
-6-26	N/A	
-6-28	-515	

Table K – Cotter Pins

-6-32	-516	
-6-36	-517	
-6-40	-518	
-6-48	-520	
-7-32	-580	
-7-36	-581	
-7-40	-582	
-8-32	-640	
-8-36	-641	
-8-40	-642	
-8-48	-643	
-8-56	-644	
-8-64	-645	
-10-32	-701	
-10-36	-702	
-10-40	-703	

Table L – Clamps (Nylon)

CLAMPS	ALTERNATE	
1/8-6NA	CCH12-S10	
1/4-6NA	CCH25-S10	
3/8-6NA	CCH38-S10	
1/2-6NA	CCH50-S10	
5/8-6NA	CCH62-S10	
3/4-6NA	CCH75-S10	
7/8-6NA	CCH87-S10	
1-6NA	CCH100-S10	
439-SS4-8-2-6	NAS1714C3-4NW	Equivalent Substitution

Table M – Cable Ties

CABLE TIE	ALTERNATE	
SST2S-() ²⁷	CBR3S-M	Equivalent Substitution
SST1.5I-() ²⁸	CBR3I-M or CBR1.5I-M	
SST1M-() ²⁹	CBR1M-M or CBR2M-M	
ILT2S-M	CBR3S-M	
ILT1.5I-M	CBR3I-M	
	CBR1.5I-M	

²⁷ Suffix may either be -MP or -P

²⁸ Suffix may either be -MP or -P

²⁹ Suffix may either be -MP or -P

ENSTROM F-28/280 SERIES ILLUSTRATED PARTS CATALOG

Table M – Cable Ties

ILT1M-M	CBR1M-M or CBR2M-M	
---------	-----------------------	--

Table N – U-Channel (Rubber)

U-CHANNEL	ALTERNATE	
X-142	AX-142P	Equivalent Substitution
X-142 ³⁰	GE52-C69 GEE36FR-C GEE62FR-C GEE36FR-CY GEE62FR-CY	Equivalent Substitution

Table O – Shrink Tubing

SHRINK TUBING	ALTERNATE	
3028-3/32	FIT-221V-3/32	Equivalent Substitution
3028-1/8	FIT-221V-1/8	
3028-1/4	FIT-221V-1/4	
3028-3/8	FIT-221V-3/8	
FIT-221V-1/2	N/A	
FIT-221V-3/4	N/A	
FIT-221V-1	N/A	
FIT-221V-1 1/2	N/A	
FIT221V- 3/16AL	N/A	

³⁰ Substitution to GE() or GEE() permitted only for interior non-aesthetic areas

ENSTROM F-28/280 SERIES ILLUSTRATED PARTS CATALOG

Table P – Ring Tongue Terminals

RING TONGUE TERMINAL	ALTERNATE ^{31, 32}	ALTERNATE	
AA	19073	MS25036	
-820-04	0007	-148	
-821-06	0011	-102	
-821-08	0013	-149	
-821-10	0017	-103	
-822-10	0022	-103	
-822-14	0024	-150	
-822-56	0027	-104	
-832-06	0038	-102	
BB	19073	MS20659/MS25036	
-523-04	N/A	MS25036-152	
-525-14	N/A	MS25036-154	
-537-04	N/A	MS20659-152	
-537-10	N/A	MS25036-108	
-818-38	0059	MS25036-110	
-825-14	0076	MS25036-154	
-825-56	0079	MS25036-109	
-837-06	0083	MS25036-107	
-837-08	0085	MS25036-153	
-837-10	0087	MS25036-108	
C	19073	MS25036	
-528-08	0110	-156	
-528-10	0113	-112	
-530-56	0123	-113	
-540-38	0139	-114	
-828-06	0160	-111	
-828-08	0165	-156	
-828-10	0170	-112	
-830-14	0188	-157	
-830-56	0200	-113	
-836-06	0216	N/A	
-840-38	0236	-114	
D	19067	MS25036	
-750-14	0008	-116	
-751-56	0025	-117	
-756-06	0035	N/A	
-756-08	0037	N/A	

³¹ ETC/Molex manufacturer nomenclature update

³² Additional dash no. (-) within the P/N or additional zero (0) P/N prefix may be purchased to accommodate manufacturer's database/catalog

ENSTROM F-28/280 SERIES ILLUSTRATED PARTS CATALOG

Table P – Ring Tongue Terminals

E	19193/19067	MS25036	
-360-14	191930248	-120	
-760-14	190670071	-120	
-760-56	N/A	-121	
-960-56	190670073	-121	
F	19193	MS20659	
-366-14	0261	-111	
-366-38	0264	-112	
-366-56	0267	-132	
-367-10	0273	-144	
-367-14	0275	-111	
-367-56	0278	-132	
G	19193	MS20659	
-375-14	0305	-113	
-375-38	0307	-114	
-375-56	0309	-147	
M	N/A	MS25036	
-8113-04	N/A	-144	
-8118-06	N/A	-145	
-8118-08	N/A	-146	

ENSTROM F-28/280 SERIES ILLUSTRATED PARTS CATALOG

Table Q – Retaining Rings

RETAINING RING	ALTERNATE	
N5100-78-S-PP	ON78EXTSP (Meyer)	
N5002-268-PP	ON268INVSP	

Table R – Cushioned Clamps

CLAMP	ALTERNATE	
MS21919() ³³	MS21919W()	
MS21919DG()	MS21919CJ()	
MS21919WDG()	MS21919WCJ()	

Table S – Plusnuts

PLUSNUT	ALTERNATE	
S8P-270	S8P270ZK	Equivalent Substitution

Table T – Solder Sleeve Shield Terminator

SOLDER SLEEVE SHIELD TERMINATOR	ALTERNATE	
ST63-2-00	M83519/1-2	
ST63-3-00	M83519/1-3	
ST63-4-00	M83519/1-4	
ST63-5-00	M83519/1-5	

Table U – Plug, Pipe – Countersink Hex Head

PLUG, PIPE	ALTERNATE	
AN932-()	MS27769-()	

Table V – Clip Nut

CLIP NUT	ALTERNATE	
RM52LHA4972802	13100000-5	

Table W – Plug and Bleeder – Screw Thread

PLUG AND BLEEDER	ALTERNATE	
AN814-2D	AS5169D02	
AN814-2DL	AS5169D02L	
AN814-3DL	AS5169D03L	
AN814-4DL	AS5169D04L	

Table W – Plug and Bleeder – Screw Thread

AN814-5DL	AS5169D05L	
AN814-6DL	AS5169D06L	
AN814-8DL	AS5169D08L	

Table X – Pin, Retaining, Safety

PIN, RETAINING, SAFETY	ALTERNATE	
AN416-1	A-A-55488-1	
AN416-2	A-A-55488-2	

Table Y – Quarter Turn Fastener

QUARTER TURN FASTENER	ALTERNATE	
AW4-()	AJW4-()	Equivalent Substitution
AW4-()	D4-AJW4-()	

Table Z – Quick Disconnect Terminal

TERMINAL	ALTERNATE	
AA-2201	19003-0001	Equivalent Substitution
AA-2202	19003-0011	
AA-2204	19003-0024	
AA-8137	19019-0006	
BB-2206	19003-0040	
BB-8132	19019-0022	
C-2265	19005-0010	

³³ MS21919F series clamps not permitted for use or substitution

ENSTROM F-28/280 SERIES ILLUSTRATED PARTS CATALOG

Table AA – Plug (BNC, TNC, N)

PLUG	ALTERNATE	
225345-6	5-225345-6	Equivalent Substitution
225392-2	5225392-2	
225395-6	5225395-6	
225395-7	5225395-7	
225396-7	5225396-7	
225554-6	5225554-6	
225699-1	5225699-1	
225973-4	5225973-4	
	031-5	
UG-89A/U	31-5	
	UG-89/U	

Table AB – Roll Pin

ROLL PIN	ALTERNATE	
()S-094-0625	MS16562-215	

Table AC – Sleeve, Coupling

SLEEVE, COUPLING	ALTERNATE	
AN819-()	MS20819-()	Equivalent Substitution
MS20819-()	MS20819-()J	

Table AD – Clevis Pin

CLEVIS PIN	ALTERNATE	
AN393-()	MS20392-2C()	
AN394-()	MS20392-3C()	
AN395-()	MS20392-4C()	

Table AE – Quarter (1/4) Turn Fastener Receptacle

QUARTER (1/4) TURN FASTENER RECEPTACLE	ALTERNATE	
S4-200	1219-4200-Z3Y	

Table AF – Sleeve, Flared Tube Fitting

SLEEVE, FLARED TUBE FITTING	ALTERNATE	
AN819-()	MS20819-()	Equivalent Substitution
MS20819-()	AS5176-()	Equivalent Substitution

Table AG – 3.5 mm Phone Jack

3.5mm PHONE JACK	ALTERNATE	
161-3402-E	161-3402-L 156-3402SHA-E	Equivalent Substitution

Table AH – Grease Fitting

GREASE FITTING	ALTERNATE	
1637-B	H1637Z3	Equivalent Substitution
1637-B1	H1637Z3	
1641-B	H1641Z3	
1911-B	H1911Z3	
1911-B1	H1911Z3	

Table AI – Terminal Lug

TERMINAL LUG	ALTERNATE	
D-436	M81824/	Equivalent Substitution
-36	1-1	
-37	1-2	
-38	1-3	

ENSTROM F-28/280 SERIES ILLUSTRATED PARTS CATALOG

INTENTIONALLY LEFT BLANK