



SERVICE INFORMATION LETTER

SERVICE INFORMATION LETTER NO. 0164

Page 1 of 8

DATE: July 24, 2007

1. SUBJECT: Cyclic Trim System Configurations
2. MODEL: F-28F and 280FX
3. EFFECTIVITY: F-28F; Serial number 810 and subsequent
280FX; Serial number 2080 and subsequent
4. BACKGROUND:

Enstrom released an optional kit that installs solid state Trim Switch Units (TSU) via Service Information Letter (SIL) 0143. This kit replaces the mechanical relay trim controls in all F-28C/F and 280C/F/FX aircraft equipped with 24 Vdc electrical systems. The solid state TSUs were incorporated into production aircraft equipped with 28 Vdc electrical systems as follows: F-28F, S/N 810 through 818 and 280FX, S/N 2080 through 2116. Two aircraft, F-28F, S/N 815, and 280FX, S/N 2092, were manufactured with 14 Vdc electrical systems that are equipped with dual voltage solid state TSUs. There have been numerous failures of the solid state TSUs attributed to electrical feedback related to the trim switch in the cyclic stick grip.

As a result of the solid state TSU failures, Enstrom certified new 28 Vdc and 14 Vdc mechanical relay TSUs that replace the solid state TSUs. These mechanical relay TSUs were incorporated into production aircraft as follows: F-28F, S/N 819 and subsequent; and 280FX, S/N 2117 and subsequent. The new mechanical relays are eligible for installation in aircraft equipped with the solid state TSUs via Trim Relay Kit, P/N 28-01062-111 (24 Vdc) or 28-01062-113 (14 Vdc).

Because of the new mechanical relay TSUs, the solid state TSUs are no longer available as replacement/spare parts and aircraft equipped with the solid state TSUs must be modified with the mechanical relay TSUs if the solid state TSUs fail.

This Service Information Letter (SIL) provides the schematic diagrams for aircraft equipped with the solid state TSUs, schematic diagrams for aircraft equipped with the mechanical relay TSUs, and part number information for mechanical relay TSU kits and components.

July 24, 2007

5. COMPLIANCE:

If the aircraft is equipped with the solid state TSUs, modify the aircraft with the Trim Relay Kit, P/N 28-01062-111 (24 Vdc) or 28-01062-113 (14 Vdc) if the solid state TSUs fail.

Refer to Figure 1 for the trim system schematic diagram for aircraft equipped with the solid state TSUs.

Refer to Figure 2 for the trim system schematic diagrams for aircraft equipped with the mechanical relay TSUs.

Refer to paragraph 5.1 for part number information for replacement/spare parts for the mechanical relay TSUs.

5.1. PARTS LIST:

Description	Part Number	Quantity
. Trim Relay Kit (24 Vdc)	28-01062-111	1 per Aircraft
. . Trim Switch Unit (24 Vdc)	4199059-3	2 per Kit
. . . Relay	M83536/10-024M	2 Per Unit
. Trim Relay Kit (14 Vdc)	28-01062-113	1 per Aircraft
. . Trim Switch Unit (14 Vdc)	28-19025-1	2 Per Kit
. . . Relay	M83536/10/15M	2 Per Unit

6. SPECIAL TOOLS:

7. MAN-HOURS: N/A

8. WARRANTY:

New Aircraft Warranty or Replacement Parts Warranty as applicable.

9. WEIGHT CHANGE: N/A

10. LOG BOOK ENTRY: As required for maintenance actions

11. REPETITIVE ACTION: N/A

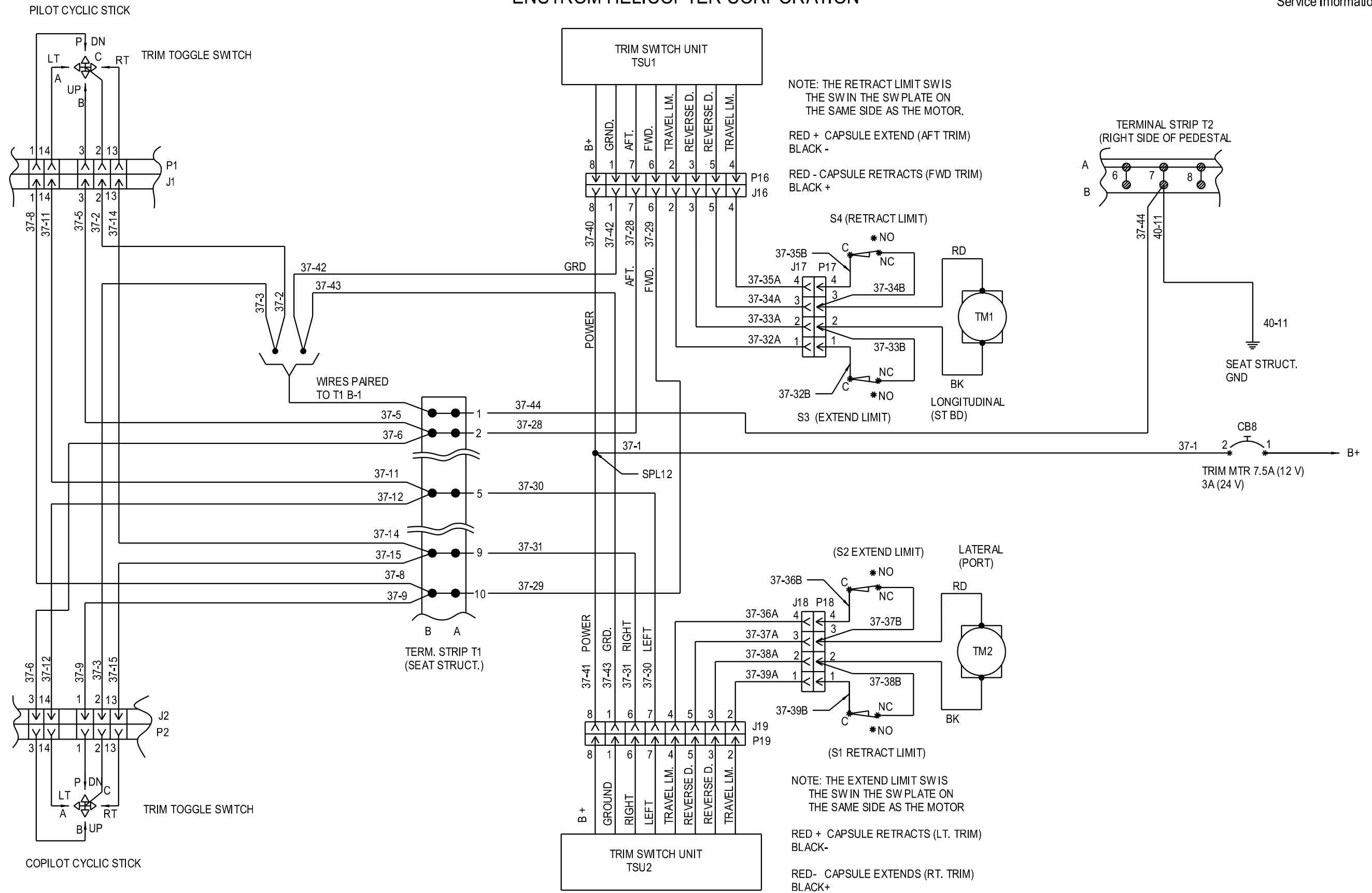


Figure 1. Solid State TSU System

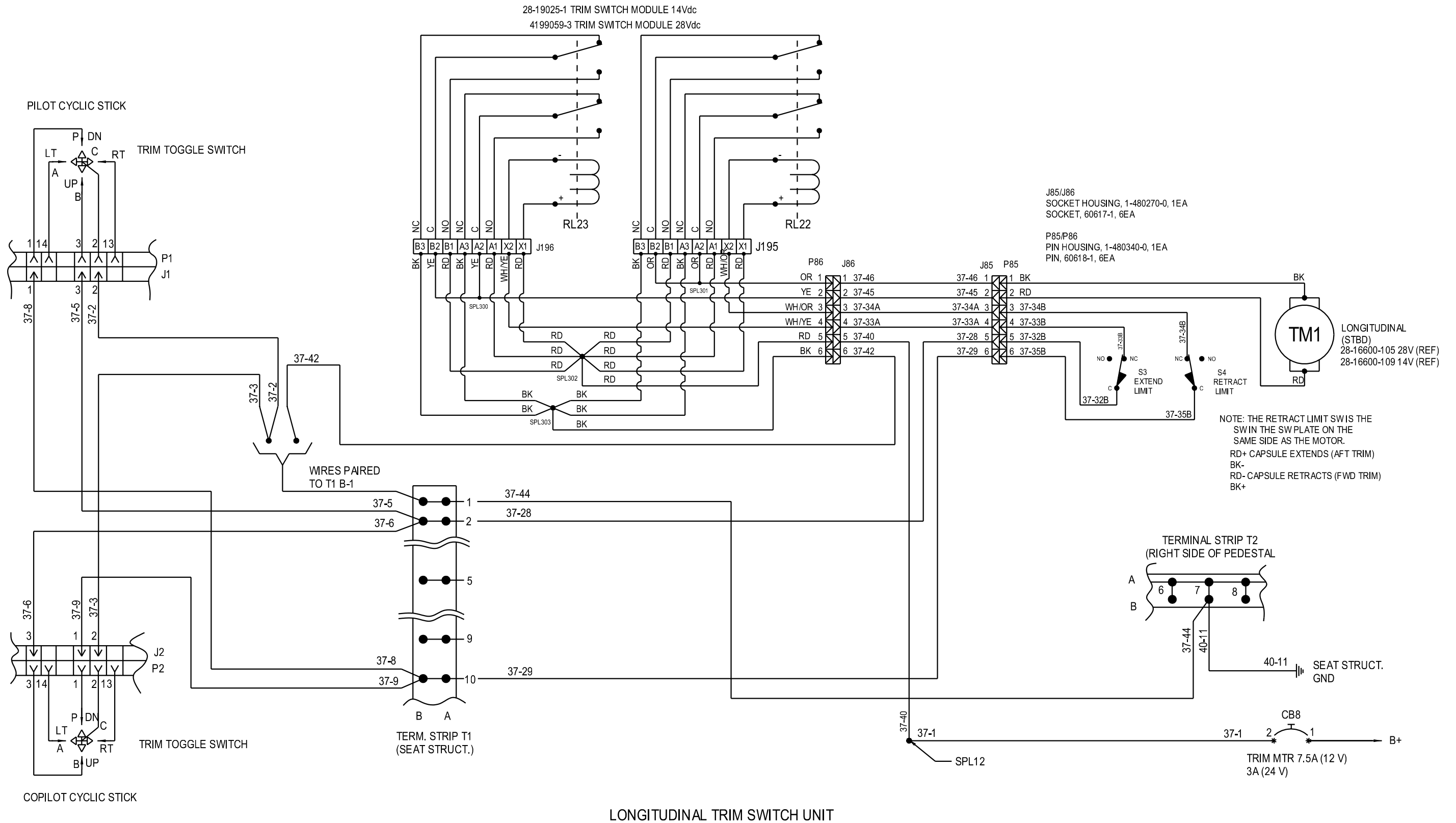


Figure 2. Mechanical Relay TSU System, Sheet 1 of 2

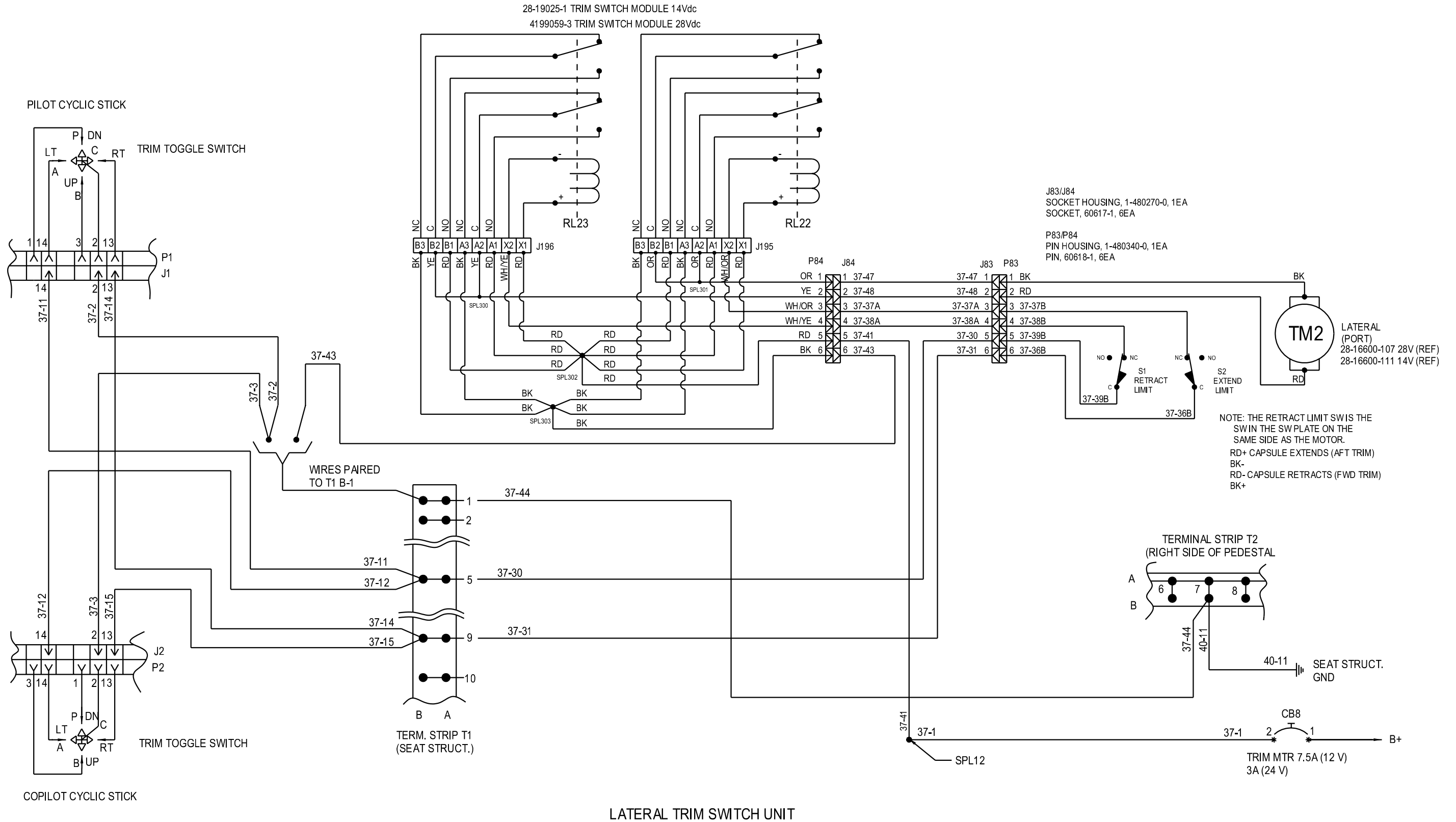


Figure 2. Mechanical Relay TSU System, Sheet 2 of 2