



# SERVICE INFORMATION LETTER

---

---

SERVICE INFORMATION LETTER NO. 0160

Page 1 of 4

DATE: October 30, 2006

1. SUBJECT: Modified Procedure for Attaching Main Rotor Control Rods to the Lower Swashplate Assembly
2. MODEL: F-28A, F-28C, F-28F, 280, 280C, 280F, and 280FX
3. EFFECTIVITY: All serial numbers
4. BACKGROUND:

Enstrom has modified the installation procedure and hardware used to connect the main rotor control rods to the lower swashplate assembly.

This Service Information Letter provides the installation procedures and new hardware list for connecting the main rotor control rods to the lower swashplate assembly.

5. COMPLIANCE:

Use the procedure in paragraph 5.1 to attach the main rotor control rods to the lower swashplate assembly.

- 5.1. ATTACHMENT PROCEDURE:

## NOTE

Perform all maintenance in accordance with the applicable Maintenance Manual, Service Information Letters, and/or Service Directive Bulletins applicable for the aircraft model.

## CAUTION

Follow the manufacturer's instructions/precautions for the cleaner.

1. Clean/Degrease the threads on the three bolts, P/N 28-16129-2, using a suitable cleaner (contact cleaner, brake cleaner, etc.. procured from local source).

October 30, 2006

2. Connect the main rotor control rods to the lower swashplate assembly using the bolts, P/N 28-16129-2, and spacers, P/N 28-16124-1 (Refer to Figure 1). Ensure the bevel on the spacer is towards the rod end bearing.
3. Install the washers, P/N AN960-416L, and nuts, P/N AN320-4, onto the bolts. Torque the nuts to 40-60 in-lbs/4.5-6.8 Nm and install the cotter pins.

**NOTE**

Replace the nut, washer, spacer, and/or bolt as required if the cotter pin hole will not line up at the 40-60 in-lbs/4.5-6.8 Nm torque application.

4. Liberally apply a coating of Vibra-Tite® VC-3 onto the nut and cotter pin installations.

## 5.2. PARTS:

Description	New Part Number	Old Part Number	Quantity
Bolt	N/A	28-16129-2	3 Ea.
Spacer	N/A	28-16124-1	3 Ea.
Washer	N/A	AN960-416L	3 Ea.
Nut	AN320-4	F12-NE-4717-048	3 Ea.
Cotter Pin	N/A	AN381-2-8 or MS24665-151	3 Ea.

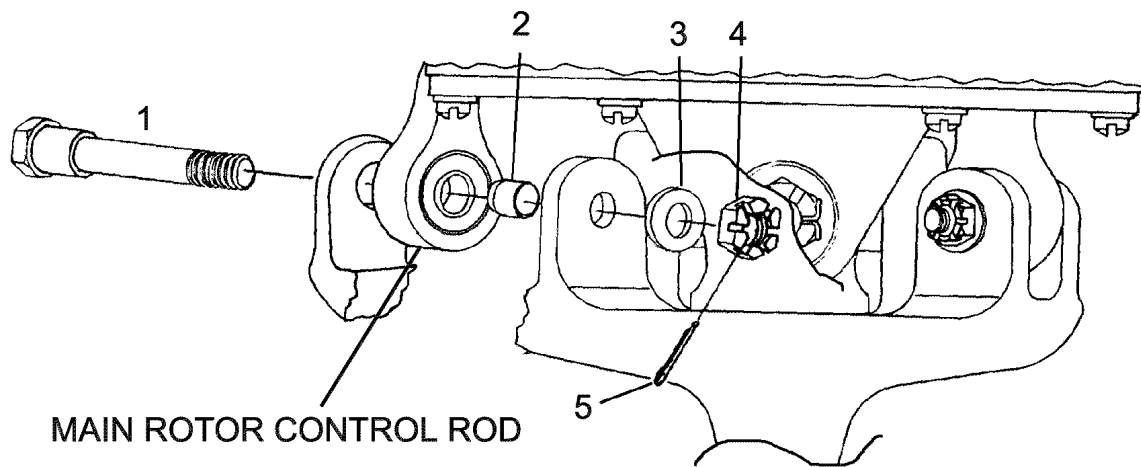
## 5.3. CONSUMABLE MATERIALS

Description	Part Number	Manufacturer	Source
Vibra-Tite® VC-3	VC-3-30	ND Industries	Enstrom Helicopter Corp. or other local source.

6. SPECIAL TOOLS: N/A
7. MAN-HOURS: N/A
8. WARRANTY: N/A
9. WEIGHT CHANGE: N/A

October 30, 2006

10. LOG BOOK ENTRY: As required for maintenance actions.
11. REPETITIVE INSPECTION: N/A



MAIN ROTOR CONTROL ROD

- |    |                        |    |   |
|----|------------------------|----|---|
| 1. | Bolt, P/N 28-16129-2   | 4. | Nut, P/N AN320-4                            |
| 2. | Spacer, P/N 28-16124-1 | 5. | Cotter Pin, P/N AN381-2-8 or<br>MS24665-151 |
| 3. | Washer, P/N AN960-416L |    |   |

Figure 1.