

INTENTIONALLY LEFT BLANK

UNCONTROLLED COPY WHEN DOWNLOADED OR PRINTED

Visit www.enstromhelicopter.com for instructions to order an original manual and to register for email notification of updates.

April 16, 2024

Page 1 of 1

ENSTROM F-28/280 SERIES ILLUSTRATED PARTS CATALOG
1987 Edition

Revision 11, dated April 16, 2024 applies to the Enstrom F-28/280 Series Illustrated Parts Catalog, 1987 Edition. Place this cover sheet behind the "Log of Revisions" sheet at the front of your manual after removing and inserting the pages listed below.

| <u>Remove Pages</u> | <u>Insert Pages</u> |
|---------------------|---------------------|
| i through xcvi | i through cxviii |
| 3-1 through 3-2 | 3-1 through 3-2 |
| 3-17 through 3-20 | 3-17 through 3-20 |
| 3-75 through 3-76 | 3-75 through 3-76 |
| 3-83 through 3-85.1 | 3-83 through 3-85.1 |
| 3-93 through 3-95.1 | 3-93 through 3-95.1 |
| 3-113 through 3-114 | 3-113 through 3-114 |
| 3-117 through 3-120 | 3-117 through 3-120 |
| 3-123 through 3-124 | 3-123 through 3-124 |
| 7-0 through 7-57 | 7-1 through 7-108 |
| 12-0 through 12-29 | 12-1 through 12-60 |

* * * * End of List * * * *

UNCONTROLLED COPY WHEN DOWNLOADED OR PRINTED

Visit www.enstromhelicopter.com for instructions to order an original manual and to register for email notification of updates.

INTENTIONALLY LEFT BLANK

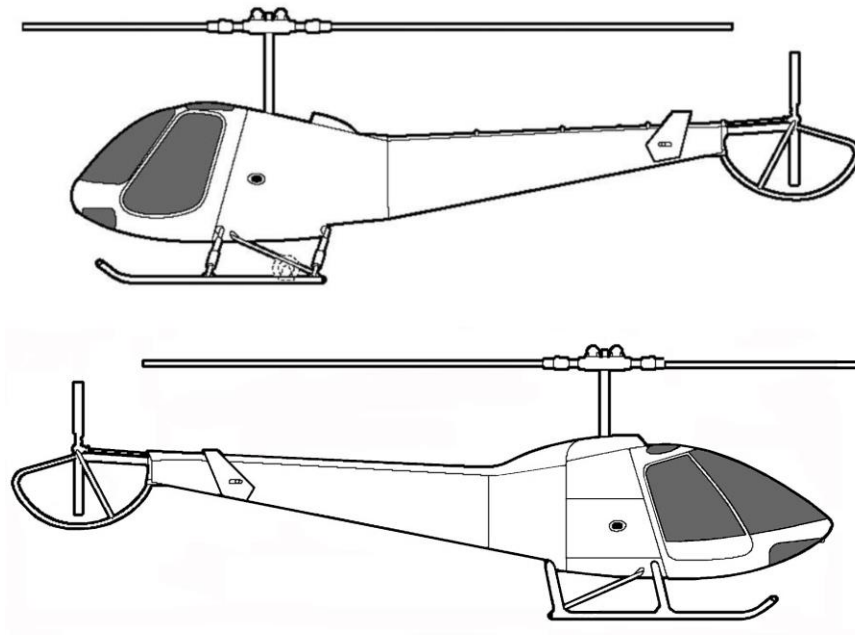
UNCONTROLLED COPY WHEN DOWNLOADED OR PRINTED

Visit www.enstromhelicopter.com for instructions to order an original manual and to register for email notification of updates.



**ENSTROM F-28/280 SERIES
ILLUSTRATED PARTS CATALOG
1987 EDITION**

**MODEL EFFECTIVITY:
F-28A, 280, F-28C, 280C, F-28F, 280F, AND 280FX**



Download an electronic copy of this manual from the Technical Support page at www.enstromhelicopter.com.

Copyright 1987-2024
The Enstrom Helicopter Corporation
2209 22nd Street
Menominee, Michigan 49858-3515

Telephone: 906-863-1200
Fax: 906-863-6821

UNCONTROLLED COPY WHEN DOWNLOADED OR PRINTED

ENSTROM F-28/280 SERIES ILLUSTRATED PARTS CATALOG

RECOMMENDED CHANGE REPORT

This Illustrated Parts Catalog (IPC) is prepared and distributed by The Enstrom Helicopter Corporation and is intended for use by personnel responsible for maintaining Enstrom F28A, 280, F28C, 280C, F28F, 280F, and 280FX helicopters. This manual is periodically revised. If, in the opinion of the user, any information has been omitted or requires clarification, please direct your comments to Enstrom via this form (duplicate) or other similar form. Send the recommended changes to:

Technical Publications
The Enstrom Helicopter Corporation
2209 22nd Street
Menominee, MI 49858-3515

Manual Identification: Enstrom F-28/280 Series Illustrated Parts Catalog

Manual Date: 1987

Revision Number and Date: _____

Aircraft Model: _____

Recommended Change:

ENSTROM F-28/280 SERIES ILLUSTRATED PARTS CATALOG

TABLE OF CONTENTS

| Figure | Description | Page |
|---|---|-------|
| | Title Page | i |
| | Recommended Change Report | ii |
| | Table of Contents | iii |
| | Effective Page List | ix |
| | Part Number Index | xviii |
| SECTION 1 – INTRODUCTION | | |
| | Scope | 1-2 |
| | Introductory Information | 1-2 |
| | Detailed Parts List | 1-3 |
| | Appendices | 1-4 |
| SECTION 2 – PARTS ORDERING INFORMATION | | |
| | General | 2-2 |
| | Parts Orders | 2-2 |
| | Shipment | 2-3 |
| | Emergency Requirements | 2-3 |
| | Credit Terms | 2-3 |
| SECTION 3 – POWER PLANT | | |
| | Cover Page | 3-1 |
| | Table of Contents | 3-1 |
| 3-1 | Air Induction System (F-28A) | 3-2 |
| 3-2 | Air Induction System | 3-4 |
| 3-3 | Turbocharger Induction System | 3-8 |
| 3-4 | Fuel Nozzle Air Vent System | 3-13 |
| 3-5 | Engine Vent Installation | 3-16 |
| 3-5A | Magneto Cooling Installation | 3-18 |
| 3-6 | Oil Cooler Installation (A Models) | 3-21 |
| 3-7 | Oil Cooler Installation (C, F Models) | 3-24 |
| 3-8 | Turbocharger Oil Lines | 3-28 |
| 3-9 | Oil Fill Tube Installation | 3-31 |
| 3-10 | Throttle and Mixture Control Installation (A, C Models) | 3-34 |
| 3-11 | Throttle Correlator Assembly (F Models) | 3-40 |
| 3-12 | Throttle Correlator Installation (F Models) | 3-44 |
| 3-13 | Dual Throttle Control Installation (F Models) | 3-46 |
| 3-14 | Throttle Cable Installation (F Models) | 3-48 |
| 3-15 | Mixture Cable Installation (F Models) | 3-50 |
| 3-16 | Fire Curtain Assembly (All Models) | 3-53 |
| 3-17 | Fire Curtain Installation (All Models) | 3-55 |
| 3-18 | Engine Fan Shroud Assembly (A Models) | 3-59 |
| 3-19 | Engine Fan Shroud Assembly (C Models) | 3-63 |
| 3-20/A/B | Engine Fan Shroud Assembly (C, F Models) | 3-66 |
| 3-21 | Cooling Fan and Alternator Installation | 3-96 |

UNCONTROLLED COPY WHEN DOWNLOADED OR PRINTED

ENSTROM F-28/280 SERIES ILLUSTRATED PARTS CATALOG

TABLE OF CONTENTS

| Figure | Description | Page |
|--------|---|-------|
| 3-22 | Engine Fuel System (A Models) | 3-98 |
| 3-23 | Engine Fuel System (C, F Models) | 3-103 |
| 3-24 | Main Fuel System | 3-108 |
| 3-25 | Fuel Level Sending Unit | 3-115 |
| 3-26 | Fuel Shutoff Valve Assembly | 3-117 |
| 3-27 | Exhaust System Installation (A Models) | 3-120 |
| 3-28 | Exhaust System Installation (C, F Models) | 3-122 |
| 3-29 | Turbocharger Mount Installation | 3-127 |
| 3-30 | Engine Mount Assembly | 3-130 |
| 3-31 | Engine Components | 3-132 |

SECTION 4 – MAIN ROTOR SYSTEM

| | | |
|-------|--|--------|
| | Cover Page | 4-1 |
| | Table of Contents | 4-1 |
| 4-1 | Main Rotor Hub Assembly | 4-2 |
| 4-2 | Main Rotor Blade and Retention Assembly | 4-6 |
| 4-2.1 | Retention Assembly (STC SR03465CH) | 4-10.1 |
| 4-3 | Flapping Pin and Damper Installation | 4-11 |
| 4-4 | Hydraulic Damper Assembly (28-14375-101) | 4-13 |

SECTION 5 – BELT DRIVE ASSEMBLY

| | | |
|-----|--|------|
| | Cover Page | 5-1 |
| | Table of Contents | 5-1 |
| 5-1 | Belt Tension Assembly and Installation | 5-2 |
| 5-2 | Spring Housing Assembly | 5-7 |
| 5-3 | Idler Pulley and Support Assembly | 5-9 |
| 5-4 | Jack Strut and Pulley Assembly | 5-15 |
| 5-5 | Main Drive Engagement Control System | 5-21 |
| 5-6 | Main Rotor Gearbox Installation | 5-25 |
| 5-7 | Main Rotor Transmission Seal Retainer Assembly | 5-30 |

SECTION 6 – ELECTRICAL SYSTEM

| | | |
|------|--|------|
| | Cover Page | 6-1 |
| | Table of Contents | 6-1 |
| 6-1 | Electrical Components (F-28A, 280) | 6-2 |
| 6-2 | Electrical Panels | 6-5 |
| 6-3 | 12 Volt Battery Over-Current Breaker Installation | 6-9 |
| 6-4 | Landing Light and Anti-Collision Light (F-28A) | 6-11 |
| 6-5 | Night Lighting Kit (280 Models) | 6-18 |
| 6-6 | Strobe And Position Light Installation (C, F Models) | 6-22 |
| 6-7 | Forward Landing Light Installation (F-28C, F-28F) | 6-28 |
| 6-8 | Forward Landing Light Installation (280 Series) | 6-31 |
| 6-9 | Battery Installation (F-28A, 280) | 6-33 |
| 6-10 | 12 Volt Battery Installation (C, F, FX Models) | 6-35 |
| 6-11 | Annunciator Systems Installation | 6-37 |
| 6-12 | Fuse Panel (F-28F, 280FX) | 6-41 |

UNCONTROLLED COPY WHEN DOWNLOADED OR PRINTED

ENSTROM F-28/280 SERIES ILLUSTRATED PARTS CATALOG

TABLE OF CONTENTS

| Figure | Description | Page |
|--------|--|------|
| 6-13 | 24 Volt Battery Installation (All Models) | 6-43 |
| 6-14 | Trim Relay Installation 24 Volt (F-28F, 280FX) | 6-48 |

SECTION 7 – STRUCTURES

| | | |
|------|---|-------|
| | Cover Page | 7-1 |
| | Table of Contents | 7-1 |
| 7-1 | Windows, Doors and Compartment Enclosures (F-28A, F-28C, F-28F) | 7-3 |
| 7-2 | Window Installation (F-28A, F-28C, F-28F) | 7-13 |
| 7-3 | Sliding Window Vent Installation (F-28F) | 7-15 |
| 7-4 | Door Assembly and Installation (F-28F S/N 745 & Sub) | 7-19 |
| 7-5 | Windows, Doors, and Compartment Enclosures (280, 280C, 280F, 280FX) | 7-27 |
| 7-6 | 280FX Cabin Doors Assembly/Installation | 7-37 |
| 7-7 | 280FX Cabin Closeout Installation | 7-43 |
| 7-8 | Cowling (F-28A, F-28C) | 7-45 |
| 7-9 | Cowling (280, 280C) | 7-49 |
| 7-10 | Cowling (F-28F, 280FX) | 7-53 |
| 7-11 | Engine Compartment Enclosures | 7-61 |
| 7-12 | Three-Piece Airscoop | 7-65 |
| 7-13 | Cabin Installation and Pylon and Tailcone Assembly | 7-67 |
| 7-14 | Tailcone Bulkhead and Skin Enclosures | 7-71 |
| 7-15 | Stabilizer and Tailcone Extension (F-28A, F-28C, F-28F) | 7-75 |
| 7-16 | Stabilizer and Tailcone Extension (280, 280C, 280F) | 7-79 |
| 7-17 | Stabilizer and Tailcone Extension (F-28F, 280FX) | 7-83 |
| 7-18 | Tail Rotor Drive Shaft Cover | 7-87 |
| 7-19 | Pylon Assembly to Landing Gear | 7-91 |
| 7-20 | Landing Gear Assembly | 7-93 |
| 7-21 | Oleo Strut Assembly | 7-101 |
| 7-22 | Landing Gear Fairings | 7-105 |

SECTION 8 – FLIGHT CONTROLS

| | | |
|------|---|------|
| | Cover Page | 8-1 |
| | Table of Contents | 8-1 |
| 8-1 | Lower Swashplate Assembly | 8-2 |
| 8-2 | Lower Swashplate Installation | 8-3 |
| 8-3 | Lower Swashplate Control Rod Attachment | 8-5 |
| 8-3A | Upper Swashplate Assembly & Control Attachment | 8-6 |
| 8-4 | Main Rotor Pitch Change Controls | 8-7 |
| 8-5 | Cyclic Control Assembly | 8-8 |
| 8-5A | Cyclic Control Stick Assembly | 8-18 |
| 8-6 | Trim Spring Mechanical Installation | 8-21 |
| 8-6A | Lateral and Longitudinal Bias Spring Installation | 8-23 |
| 8-7 | Lateral Trim With Bias Spring Installation | 8-25 |
| 8-8 | Trim Actuator Capsule Installation | 8-27 |
| 8-9 | Lateral Trim Assembly | 8-29 |
| 8-10 | Longitudinal Trim Assembly | 8-32 |
| 8-11 | Collective Trim, Spring Capsule | 8-35 |
| 8-12 | Co-Pilots Collective Assembly | 8-37 |

UNCONTROLLED COPY WHEN DOWNLOADED OR PRINTED

ENSTROM F-28/280 SERIES ILLUSTRATED PARTS CATALOG

TABLE OF CONTENTS

| Figure | Description | Page |
|--------|---|------|
| 8-13 | Pilots Collective Assembly | 8-39 |
| 8-14 | Collective Control System Torque Shaft Assembly | 8-41 |
| 8-15 | Collective Control System Torque Shaft Assembly | 8-44 |
| 8-16 | Collective Control Reversing Bellcrank | 8-46 |
| 8-16A | Collective Control Push-Pull Rod Attachment | 8-47 |
| 8-16B | Collective Reversing Bellcrank Pivot | 8-48 |
| 8-17 | Collective Stick Friction Control | 8-50 |

SECTION 9 – FURNISHINGS

| | | |
|-----|--|------|
| | Cover Page | 9-1 |
| | Table of Contents | 9-1 |
| 9-1 | Cabin Seat Assembly | 9-2 |
| 9-2 | Cabin Furnishings (Non-Production Models) | 9-5 |
| 9-3 | Cabin Furnishings and Fire Extinguisher | 9-8 |
| 9-4 | 280F/FX Cabin Furnishings | 9-13 |
| 9-5 | Cabin Furnishings – Passenger Restraint System | 9-18 |

SECTION 10 – UTILITY SYSTEMS

| | | |
|------|---|-------|
| | Cover Page | 10-1 |
| | Table of Contents | 10-1 |
| 10-1 | Cabin Heating Installation (F-28A) | 10-2 |
| 10-2 | Cabin Heating Installation (280) | 10-4 |
| 10-3 | Cabin Heating Installation (F-28C, 280C) | 10-7 |
| 10-4 | Cabin Heating Installation (Current Production) | 10-10 |

SECTION 11 – INSTRUMENTS

| | | |
|-------|--|-------|
| | Cover Page | 11-1 |
| | Table of Contents | 11-1 |
| 11-1 | Early F-28A Instrument Panels | 11-2 |
| 11-2 | F-28C Instrument Panel Installation | 11-6 |
| 11-3 | 280C and 280F Instrument Panel Installation | 11-10 |
| 11-4 | 280 Instrument Panel Installation | 11-15 |
| 11-5 | F-28F and 280FX Instrument Panel Installation (12V) | 11-19 |
| 11-6 | F-28F and 280FX Instrument Panel Installation (24V) | 11-26 |
| 11-7 | F-28F Instrument Panel Installation (24V) (F-28F S/N 833 and Subsequent) | 11-31 |
| 11-8 | 280FX Instruments and Instrument Panel (280FX S/N 2166 and prior) | 11-40 |
| 11-9 | 280FX Instruments and Instrument Panel (280FX S/N 2167 and Subsequent) | 11-50 |
| 11-10 | F-28A and 280 Instrument Line Pylon Location | 11-58 |
| 11-11 | Pitot Static System Installation | 11-60 |
| 11-12 | Instrument Lines Cabin and Panel | 11-63 |
| 11-13 | F-28A and 280 Instrument Lines Cabin and Panel | 11-65 |
| 11-14 | Instrument Line Installation | 11-67 |
| 11-15 | Instrument/System Line Installation | 11-70 |
| 11-16 | Turbine Inlet Temperature Indicator Installation | 11-75 |
| 11-17 | Graphic Engine Monitor | 11-77 |

UNCONTROLLED COPY WHEN DOWNLOADED OR PRINTED

ENSTROM F-28/280 SERIES ILLUSTRATED PARTS CATALOG

TABLE OF CONTENTS

| Figure | Description | Page |
|--------|--|-------|
| 11-18 | Mechanical Tachometer Drive Installation | 11-80 |
| 11-19 | EDM-700-4C Installation | 11-83 |
| 11-20 | Placard Bracket Installation | 11-90 |
| 11-21 | Placard Installation | 11-94 |

SECTION 12 – TAIL ROTOR

| | | |
|-------|---|-------|
| | Cover Page | 12-1 |
| | Table of Contents | 12-1 |
| 12-1 | Tail Rotor Transmission Assembly | 12-3 |
| 12-2 | Flex Coupling Installation | 12-7 |
| 12-3 | Tail Rotor Hanger Bearing Installation | 12-11 |
| 12-4 | Rotor Tachometer Assembly | 12-13 |
| 12-5 | Tail Rotor Blade Control Installation | 12-17 |
| 12-6 | Tail Rotor Pitch Link Assembly | 12-29 |
| 12-7 | Tail Rotor Mechanical Controls (Right Hand Gearbox) | 12-33 |
| 12-8 | Tail Rotor Mechanical Controls (Left Hand Gearbox) | 12-37 |
| 12-9 | 28-15018-3 Tail Rotor Assembly | 12-41 |
| 12-10 | 28-150000-7, -10 Tail Rotor Assembly | 12-45 |
| 12-11 | 28-150050-2 Tail Rotor Assembly | 12-49 |
| 12-12 | 28-150073-1, -5 Tail Rotor Assembly | 12-53 |
| 12-13 | 28-150079-1, -5 Tail Rotor Assembly | 12-57 |

SECTION 13 – SHIMS

| | | |
|------|-----------------------------------|------|
| | Cover Page | 13-1 |
| | Table of Contents | 13-1 |
| 13-1 | Index of Enstrom Helicopter Shims | 13-2 |

APPENDIX A – EQUIVALENT PARTS

| | | |
|--|-------------------------|-----|
| | Introduction | A-3 |
| | Equivalent Parts Tables | A-3 |

APPENDIX B – STANDARD HARDWARE SUBSTITUTIONS

| | | |
|--|------------------------------------|------|
| | Cover Page | B-1 |
| | Table of Contents | B-1 |
| | Introduction | B-2 |
| | Acceptable Substitution Conditions | B-2 |
| | Hardware Tables | B-2 |
| | <i>Table A – Bolts</i> | B-3 |
| | <i>Table B – Screws</i> | B-5 |
| | <i>Table C – Nuts</i> | B-8 |
| | <i>Table D – Nut Plates</i> | B-9 |
| | <i>Table E – Solid Rivets</i> | B-11 |
| | <i>Table F – Blind Rivets</i> | B-12 |
| | <i>Table G – Washers</i> | B-13 |

UNCONTROLLED COPY WHEN DOWNLOADED OR PRINTED

ENSTROM F-28/280 SERIES ILLUSTRATED PARTS CATALOG

TABLE OF CONTENTS

| Figure | Description | Page |
|--------|--|------|
| | <i>Table H – Rivnuts</i> | B-15 |
| | <i>Table I – Turnbuckles</i> | B-15 |
| | <i>Table J – Grommets</i> | B-15 |
| | <i>Table K – Cotter Pins</i> | B-16 |
| | <i>Table L – Clamps (Nylon)</i> | B-17 |
| | <i>Table M – Cable Ties</i> | B-17 |
| | <i>Table N – U-Channel (Rubber)</i> | B-17 |
| | <i>Table O – Shrink Tubing</i> | B-17 |
| | <i>Table P – Ring Tongue Terminals</i> | B-18 |
| | <i>Table Q – Retaining Rings</i> | B-18 |
| | <i>Table R – Cushioned Clamps</i> | B-18 |
| | <i>Table S – Plusnuts</i> | B-18 |
| | <i>Table T – Solder Sleeve Shield Terminator</i> | B-19 |
| | <i>Table U – Plug, Pipe – Countersink Hex Head</i> | B-19 |
| | <i>Table V – Clip Nut</i> | B-19 |
| | <i>Table W – Plug and Bleeder – Screw Thread</i> | B-19 |
| | <i>Table X – Pin, Retaining, Safety</i> | B-19 |
| | <i>Table Y – Quarter Turn Fastener</i> | B-19 |
| | <i>Table Z – Quick Disconnect Terminal</i> | B-19 |
| | <i>Table AA – Plug (BNC, TNC, N)</i> | B-19 |
| | <i>Table AB – Roll Pin</i> | B-19 |
| | <i>Table AC – Sleeve, Coupling</i> | B-19 |
| | <i>Table AD – Clevis Pin</i> | B-20 |
| | <i>Table AE – Quarter (1/4) Turn Fastener Receptacle</i> | B-20 |
| | <i>Table AF – Washers, Extended AN960 Listing</i> | B-21 |

ENSTROM F-28/280 SERIES ILLUSTRATED PARTS CATALOG

EFFECTIVE PAGE LIST

| Page | Date | Page | Date |
|---------|-----------|----------|-----------|
| i | Apr 16/24 | I | Apr 16/24 |
| ii | Aug 21/19 | li | Apr 16/24 |
| iii | Apr 16/24 | lii | Apr 16/24 |
| iv | Apr 16/24 | liii | Apr 16/24 |
| v | Apr 16/24 | liiv | Apr 16/24 |
| vi | Apr 16/24 | lv | Apr 16/24 |
| vii | Apr 16/24 | lvi | Apr 16/24 |
| viii | Apr 16/24 | lvii | Apr 16/24 |
| ix | Apr 16/24 | lviii | Apr 16/24 |
| x | Apr 16/24 | lix | Apr 16/24 |
| xi | Apr 16/24 | lx | Apr 16/24 |
| xii | Apr 16/24 | lxi | Apr 16/24 |
| xiii | Apr 16/24 | lxii | Apr 16/24 |
| xiv | Apr 16/24 | lxiii | Apr 16/24 |
| xv | Apr 16/24 | lxiv | Apr 16/24 |
| xvi | Apr 16/24 | lxv | Apr 16/24 |
| xvii | Apr 16/24 | lxvi | Apr 16/24 |
| xviii | Apr 16/24 | lxvii | Apr 16/24 |
| xix | Apr 16/24 | lxviii | Apr 16/24 |
| xx | Apr 16/24 | lxix | Apr 16/24 |
| xxi | Apr 16/24 | lxx | Apr 16/24 |
| xxii | Apr 16/24 | lxxi | Apr 16/24 |
| xxiii | Apr 16/24 | lxxii | Apr 16/24 |
| xxiv | Apr 16/24 | lxxiii | Apr 16/24 |
| xxv | Apr 16/24 | lxxiv | Apr 16/24 |
| xxvi | Apr 16/24 | lxxv | Apr 16/24 |
| xxvii | Apr 16/24 | lxxvi | Apr 16/24 |
| xxviii | Apr 16/24 | lxxvii | Apr 16/24 |
| xxix | Apr 16/24 | lxxviii | Apr 16/24 |
| xxx | Apr 16/24 | lxxix | Apr 16/24 |
| xxxi | Apr 16/24 | lxxx | Apr 16/24 |
| xxxii | Apr 16/24 | lxxxi | Apr 16/24 |
| xxxiii | Apr 16/24 | lxxxii | Apr 16/24 |
| xxxiv | Apr 16/24 | lxxxiii | Apr 16/24 |
| xxxv | Apr 16/24 | lxxxiv | Apr 16/24 |
| xxxvi | Apr 16/24 | lxxxv | Apr 16/24 |
| xxxvii | Apr 16/24 | lxxxvi | Apr 16/24 |
| xxxviii | Apr 16/24 | lxxxvii | Apr 16/24 |
| xxxix | Apr 16/24 | lxxxviii | Apr 16/24 |
| xl | Apr 16/24 | lxxxix | Apr 16/24 |
| xli | Apr 16/24 | xc | Apr 16/24 |
| xlii | Apr 16/24 | xc i | Apr 16/24 |
| xliii | Apr 16/24 | xcii | Apr 16/24 |
| xliv | Apr 16/24 | xciii | Apr 16/24 |
| xlv | Apr 16/24 | xciv | Apr 16/24 |
| xlvi | Apr 16/24 | xcv | Apr 16/24 |
| xlvii | Apr 16/24 | xcvi | Apr 16/24 |
| xlviii | Apr 16/24 | xcvii | Apr 16/24 |
| xlix | Apr 16/24 | | |

UNCONTROLLED COPY WHEN DOWNLOADED OR PRINTED

ENSTROM F-28/280 SERIES ILLUSTRATED PARTS CATALOG

EFFECTIVE PAGE LIST

| Page | Date | Page | Date |
|--------|-----------|--------|-----------|
| xcviii | Apr 16/24 | 3-20 | Apr 16/24 |
| xcix | Apr 16/24 | 3-21 | Apr 22/19 |
| c | Apr 16/24 | 3-22 | Apr 22/19 |
| ci | Apr 16/24 | 3-23 | Apr 22/19 |
| cii | Apr 16/24 | 3-24 | Apr 22/19 |
| ciii | Apr 16/24 | 3-25 | Apr 22/19 |
| civ | Apr 16/24 | 3-26 | Apr 22/19 |
| cv | Apr 16/24 | 3-27 | Apr 22/19 |
| cvi | Apr 16/24 | 3-28 | Apr 22/19 |
| cvii | Apr 16/24 | 3-29 | Feb 27/23 |
| cviii | Apr 16/24 | 3-30 | Feb 27/23 |
| cix | Apr 16/24 | 3-31 | Apr 22/19 |
| cx | Apr 16/24 | 3-32 | Apr 22/19 |
| cxI | Apr 16/24 | 3-33 | Apr 22/19 |
| cxii | Apr 16/24 | 3-34 | Apr 22/19 |
| cxiii | Apr 16/24 | 3-35 | Apr 22/19 |
| cxiv | Apr 16/24 | 3-36 | Apr 22/19 |
| cxv | Apr 16/24 | 3-37 | Apr 22/19 |
| cxvi | Apr 16/24 | 3-38 | Apr 22/19 |
| cxvii | Apr 16/24 | 3-39 | Apr 22/19 |
| cxviii | Apr 16/24 | 3-40 | Apr 22/19 |
| 1-1 | Apr 22/19 | 3-41 | Nov 8/23 |
| 1-2 | Feb 27/23 | 3-42 | Nov 8/23 |
| 1-3 | Apr 22/19 | 3-43 | Nov 8/23 |
| 1-4 | Apr 22/19 | 3-43.1 | Nov 8/23 |
| 2-1 | Apr 22/19 | 3-43.2 | Nov 8/23 |
| 2-2 | Apr 22/19 | 3-44 | Apr 22/19 |
| 2-3 | Apr 22/19 | 3-45 | Apr 22/19 |
| 2-4 | Apr 22/19 | 3-46 | Apr 22/19 |
| 3-1 | Apr 16/24 | 3-47 | Apr 22/19 |
| 3-2 | Apr 22/19 | 3-48 | Apr 22/19 |
| 3-3 | Apr 22/19 | 3-49 | Apr 22/19 |
| 3-4 | Apr 22/19 | 3-50 | Apr 22/19 |
| 3-5 | Apr 22/19 | 3-51 | Apr 22/19 |
| 3-6 | Apr 22/19 | 3-52 | Apr 22/19 |
| 3-7 | Feb 27/23 | 3-53 | Apr 22/19 |
| 3-8 | Feb 27/23 | 3-54 | Apr 22/19 |
| 3-9 | Apr 22/19 | 3-55 | Apr 22/19 |
| 3-10 | Feb 27/23 | 3-56 | Apr 22/19 |
| 3-11 | Apr 22/19 | 3-57 | Apr 22/19 |
| 3-12 | Apr 22/19 | 3-58 | Apr 22/19 |
| 3-13 | Feb 27/23 | 3-59 | Apr 22/19 |
| 3-14 | Feb 27/23 | 3-60 | Apr 22/19 |
| 3-15 | Feb 27/23 | 3-61 | Apr 22/19 |
| 3-16 | Apr 22/19 | 3-62 | Apr 22/19 |
| 3-17 | Apr 16/24 | 3-63 | Apr 22/19 |
| 3-18 | Apr 16/24 | 3-64 | Apr 22/19 |
| 3-19 | Apr 16/24 | 3-65 | Apr 22/19 |
| | | 3-66 | Apr 22/19 |

UNCONTROLLED COPY WHEN DOWNLOADED OR PRINTED

ENSTROM F-28/280 SERIES ILLUSTRATED PARTS CATALOG

EFFECTIVE PAGE LIST

| Page | Date | Page | Date |
|--------|-----------|--------|-----------|
| 3-67 | Apr 22/19 | 3-112 | Feb 27/23 |
| 3-68 | Feb 27/23 | 3-113 | Feb 27/23 |
| 3-69 | Apr 22/19 | 3-114 | Apr 16/24 |
| 3-70 | Feb 27/23 | 3-115 | Apr 22/19 |
| 3-71 | May 17/23 | 3-116 | Apr 22/19 |
| 3-72 | Feb 27/23 | 3-117 | Apr 22/19 |
| 3-73 | Feb 27/23 | 3-118 | Apr 16/24 |
| 3-74 | Feb 27/23 | 3-119 | Apr 16/24 |
| 3-75 | Apr 16/24 | 3-120 | Apr 22/19 |
| 3-76 | Feb 27/23 | 3-121 | Apr 22/19 |
| 3-77 | Feb 27/23 | 3-122 | Apr 22/19 |
| 3-78 | Feb 27/23 | 3-123 | Aug 21/19 |
| 3-79 | Apr 22/19 | 3-124 | Apr 16/24 |
| 3-80 | Apr 22/19 | 3-125 | Apr 22/19 |
| 3-81 | Feb 27/23 | 3-126 | Nov 8/23 |
| 3-82 | Feb 27/23 | 3-127 | Apr 22/19 |
| 3-83 | Apr 16/24 | 3-128 | Apr 22/19 |
| 3-84 | Apr 16/24 | 3-129 | Apr 22/19 |
| 3-85 | Apr 16/24 | 3-130 | Apr 22/19 |
| 3-85.1 | Apr 16/24 | 3-131 | Apr 22/19 |
| 3-85.2 | Feb 27/23 | 3-132 | Aug 21/19 |
| 3-86 | Feb 27/23 | 3-133 | Aug 21/19 |
| 3-87 | Apr 22/19 | 3-134 | Aug 21/19 |
| 3-88 | Aug 21/19 | 4-1 | Feb 27/23 |
| 3-89 | Apr 22/19 | 4-2 | Apr 22/19 |
| 3-90 | Apr 22/19 | 4-3 | Apr 22/19 |
| 3-91 | Feb 27/23 | 4-4 | Feb 27/23 |
| 3-92 | Feb 27/23 | 4-5 | Feb 27/23 |
| 3-93 | Apr 16/24 | 4-6 | Feb 27/23 |
| 3-94 | Apr 16/24 | 4-7 | Aug 21/19 |
| 3-95 | Apr 16/24 | 4-8 | Feb 27/23 |
| 3-95.1 | Feb 27/23 | 4-9 | Feb 27/23 |
| 3-95.2 | Feb 27/23 | 4-10 | Feb 27/23 |
| 3-96 | Apr 22/19 | 4-10.1 | Feb 27/23 |
| 3-97 | Apr 22/19 | 4-10.2 | Feb 27/23 |
| 3-98 | Apr 22/19 | 4-11 | Aug 21/19 |
| 3-99 | Feb 27/23 | 4-12 | Aug 21/19 |
| 3-100 | Feb 27/23 | 4-13 | Aug 21/19 |
| 3-101 | Feb 27/23 | 4-14 | May 17/23 |
| 3-102 | Apr 22/19 | 4-15 | Aug 21/19 |
| 3-103 | Apr 22/19 | 4-16 | Aug 21/19 |
| 3-104 | Feb 27/23 | 5-1 | Feb 27/23 |
| 3-105 | Feb 27/23 | 5-2 | Apr 22/19 |
| 3-106 | Feb 27/23 | 5-3 | Apr 22/19 |
| 3-107 | Aug 21/19 | 5-4 | Apr 22/19 |
| 3-108 | Apr 22/19 | 5-5 | Apr 22/19 |
| 3-109 | Apr 22/19 | 5-6 | Apr 22/19 |
| 3-110 | Feb 27/23 | 5-7 | Apr 22/19 |
| 3-111 | Feb 27/23 | 5-8 | Feb 27/23 |

UNCONTROLLED COPY WHEN DOWNLOADED OR PRINTED

ENSTROM F-28/280 SERIES ILLUSTRATED PARTS CATALOG

EFFECTIVE PAGE LIST

| Page | Date | Page | Date |
|--------|-----------|------|-----------|
| 5-9 | Apr 22/19 | 6-22 | Apr 22/19 |
| 5-10 | Apr 22/19 | 6-23 | Apr 22/19 |
| 5-11 | Apr 22/19 | 6-24 | Apr 22/19 |
| 5-12 | Apr 22/19 | 6-25 | Apr 22/19 |
| 5-13 | Apr 22/19 | 6-26 | Apr 22/19 |
| 5-14 | Apr 22/19 | 6-27 | Apr 22/19 |
| 5-15 | Apr 22/19 | 6-28 | Apr 22/19 |
| 5-16 | Apr 22/19 | 6-29 | Apr 22/19 |
| 5-17 | Apr 22/19 | 6-30 | Apr 22/19 |
| 5-18 | Apr 22/19 | 6-31 | Apr 22/19 |
| 5-19 | Apr 22/19 | 6-32 | Feb 27/23 |
| 5-20 | Apr 22/19 | 6-33 | Apr 22/19 |
| 5-21 | Apr 22/19 | 6-34 | Apr 22/19 |
| 5-22 | Apr 22/19 | 6-35 | Apr 22/19 |
| 5-23 | Feb 27/23 | 6-36 | May 17/23 |
| 5-24 | Feb 27/23 | 6-37 | Apr 22/19 |
| 5-25 | Feb 27/23 | 6-38 | Apr 22/19 |
| 5-25.1 | Feb 27/23 | 6-39 | Apr 22/19 |
| 5-25.2 | Feb 27/23 | 6-40 | Apr 22/19 |
| 5-26 | Feb 27/23 | 6-41 | Apr 22/19 |
| 5-27 | Feb 27/23 | 6-42 | Apr 22/19 |
| 5-28 | Feb 27/23 | 6-43 | Apr 22/19 |
| 5-29 | Feb 27/23 | 6-44 | Apr 22/19 |
| 5-30 | Feb 27/23 | 6-45 | Apr 22/19 |
| 5-31 | Feb 27/23 | 6-46 | Apr 22/19 |
| 5-32 | Feb 27/23 | 6-47 | Apr 22/19 |
| 6-1 | Apr 22/19 | 6-48 | Apr 22/19 |
| 6-2 | Apr 22/19 | 6-49 | Apr 22/19 |
| 6-3 | Apr 22/19 | 6-50 | Apr 22/19 |
| 6-4 | Apr 22/19 | 7-1 | Apr 16/24 |
| 6-5 | Apr 22/19 | 7-2 | Apr 16/24 |
| 6-6 | Apr 22/19 | 7-3 | Apr 16/24 |
| 6-7 | Apr 22/19 | 7-4 | Apr 16/24 |
| 6-8 | Apr 22/19 | 7-5 | Apr 16/24 |
| 6-9 | Apr 22/19 | 7-6 | Apr 16/24 |
| 6-10 | Apr 22/19 | 7-7 | Apr 16/24 |
| 6-11 | Apr 22/19 | 7-8 | Apr 16/24 |
| 6-12 | Apr 22/19 | 7-9 | Apr 16/24 |
| 6-13 | Apr 22/19 | 7-10 | Apr 16/24 |
| 6-14 | Apr 22/19 | 7-11 | Apr 16/24 |
| 6-15 | Apr 22/19 | 7-12 | Apr 16/24 |
| 6-16 | Apr 22/19 | 7-13 | Apr 16/24 |
| 6-17 | Apr 22/19 | 7-14 | Apr 16/24 |
| 6-18 | Feb 27/23 | 7-15 | Apr 16/24 |
| 6-19 | Feb 27/23 | 7-16 | Apr 16/24 |
| 6-20 | Apr 22/19 | 7-17 | Apr 16/24 |
| 6-21 | Feb 27/23 | 7-18 | Apr 16/24 |
| 6-21.1 | Feb 27/23 | 7-19 | Apr 16/24 |
| 6-21.2 | Feb 27/23 | 7-20 | Apr 16/24 |

UNCONTROLLED COPY WHEN DOWNLOADED OR PRINTED

ENSTROM F-28/280 SERIES ILLUSTRATED PARTS CATALOG

EFFECTIVE PAGE LIST

| Page | Date | Page | Date |
|------|-----------|-------|-----------|
| 7-21 | Apr 16/24 | 7-70 | Apr 16/24 |
| 7-22 | Apr 16/24 | 7-71 | Apr 16/24 |
| 7-23 | Apr 16/24 | 7-72 | Apr 16/24 |
| 7-24 | Apr 16/24 | 7-73 | Apr 16/24 |
| 7-25 | Apr 16/24 | 7-74 | Apr 16/24 |
| 7-26 | Apr 16/24 | 7-75 | Apr 16/24 |
| 7-27 | Apr 16/24 | 7-76 | Apr 16/24 |
| 7-28 | Apr 16/24 | 7-77 | Apr 16/24 |
| 7-29 | Apr 16/24 | 7-78 | Apr 16/24 |
| 7-30 | Apr 16/24 | 7-79 | Apr 16/24 |
| 7-31 | Apr 16/24 | 7-80 | Apr 16/24 |
| 7-32 | Apr 16/24 | 7-81 | Apr 16/24 |
| 7-33 | Apr 16/24 | 7-82 | Apr 16/24 |
| 7-34 | Apr 16/24 | 7-83 | Apr 16/24 |
| 7-35 | Apr 16/24 | 7-84 | Apr 16/24 |
| 7-36 | Apr 16/24 | 7-85 | Apr 16/24 |
| 7-37 | Apr 16/24 | 7-86 | Apr 16/24 |
| 7-38 | Apr 16/24 | 7-87 | Apr 16/24 |
| 7-39 | Apr 16/24 | 7-88 | Apr 16/24 |
| 7-40 | Apr 16/24 | 7-89 | Apr 16/24 |
| 7-41 | Apr 16/24 | 7-90 | Apr 16/24 |
| 7-42 | Apr 16/24 | 7-91 | Apr 16/24 |
| 7-43 | Apr 16/24 | 7-92 | Apr 16/24 |
| 7-44 | Apr 16/24 | 7-93 | Apr 16/24 |
| 7-45 | Apr 16/24 | 7-94 | Apr 16/24 |
| 7-46 | Apr 16/24 | 7-95 | Apr 16/24 |
| 7-47 | Apr 16/24 | 7-96 | Apr 16/24 |
| 7-48 | Apr 16/24 | 7-97 | Apr 16/24 |
| 7-49 | Apr 16/24 | 7-98 | Apr 16/24 |
| 7-50 | Apr 16/24 | 7-99 | Apr 16/24 |
| 7-51 | Apr 16/24 | 7-100 | Apr 16/24 |
| 7-52 | Apr 16/24 | 7-101 | Apr 16/24 |
| 7-53 | Apr 16/24 | 7-102 | Apr 16/24 |
| 7-54 | Apr 16/24 | 7-103 | Apr 16/24 |
| 7-55 | Apr 16/24 | 7-104 | Apr 16/24 |
| 7-56 | Apr 16/24 | 7-105 | Apr 16/24 |
| 7-57 | Apr 16/24 | 7-106 | Apr 16/24 |
| 7-58 | Apr 16/24 | 7-107 | Apr 16/24 |
| 7-59 | Apr 16/24 | 7-108 | Apr 16/24 |
| 7-60 | Apr 16/24 | 8-1 | Nov 8/23 |
| 7-61 | Apr 16/24 | 8-1.1 | Nov 8/23 |
| 7-62 | Apr 16/24 | 8-2 | May 17/23 |
| 7-63 | Apr 16/24 | 8-2.1 | May 17/23 |
| 7-64 | Apr 16/24 | 8-2.2 | May 17/23 |
| 7-65 | Apr 16/24 | 8-2.3 | May 17/23 |
| 7-66 | Apr 16/24 | 8-3 | May 17/23 |
| 7-67 | Apr 16/24 | 8-4 | May 17/23 |
| 7-68 | Apr 16/24 | 8-5 | May 17/23 |
| 7-69 | Apr 16/24 | 8-5A | May 17/23 |

UNCONTROLLED COPY WHEN DOWNLOADED OR PRINTED

ENSTROM F-28/280 SERIES ILLUSTRATED PARTS CATALOG

EFFECTIVE PAGE LIST

| Page | Date | Page | Date |
|--------|-----------|--------|-----------|
| 8-5.2 | May 17/23 | 8-34.3 | Nov 8/23 |
| 8-5.3 | May 17/23 | 8-35 | May 17/23 |
| 8-6 | May 17/23 | 8-36 | Feb 27/23 |
| 8-6.1 | May 17/23 | 8-36.1 | Feb 27/23 |
| 8-6.2 | May 17/23 | 8-36.2 | Feb 27/23 |
| 8-6.3 | May 17/23 | 8-37 | Original |
| 8-6.4 | May 17/23 | 8-38 | Original |
| 8-6.5 | May 17/23 | 8-39 | Original |
| 8-7 | May 17/23 | 8-40 | Original |
| 8-7.1 | May 17/23 | 8-41 | Original |
| 8-7.2 | May 17/23 | 8-42 | Original |
| 8-7.3 | May 17/23 | 8-43 | Original |
| 8-8 | May 17/23 | 8-44 | Original |
| 8-9 | May 17/23 | 8-45 | Original |
| 8-10 | May 17/23 | 8-46 | Original |
| 8-11 | May 17/23 | 8-47 | Original |
| 8-12 | May 17/23 | 8-48 | Original |
| 8-13 | May 17/23 | 8-49 | Original |
| 8-14 | May 17/23 | 8-50 | Original |
| 8-15 | May 17/23 | 8-51 | Original |
| 8-16 | May 17/23 | 9-1 | Apr 22/19 |
| 8-17 | May 17/23 | 9-2 | Apr 22/19 |
| 8-18 | May 17/23 | 9-3 | Apr 22/19 |
| 8-19 | May 17/23 | 9-4 | Apr 22/19 |
| 8-20 | May 17/23 | 9-5 | Apr 22/19 |
| 8-20.1 | May 17/23 | 9-6 | Apr 22/19 |
| 8-21 | Nov 8/23 | 9-7 | Apr 22/19 |
| 8-22 | Nov 8/23 | 9-8 | Apr 22/19 |
| 8-23 | Nov 8/23 | 9-9 | Apr 22/19 |
| 8-24 | Nov 8/23 | 9-10 | Feb 27/23 |
| 8-24.1 | Nov 8/23 | 9-11 | Feb 27/23 |
| 8-24.2 | Nov 8/23 | 9-12 | Feb 27/23 |
| 8-25 | Nov 8/23 | 9-13 | Apr 22/19 |
| 8-26 | Nov 8/23 | 9-14 | Apr 22/19 |
| 8-27 | Nov 8/23 | 9-15 | Feb 27/23 |
| 8-28 | Nov 8/23 | 9-16 | Feb 27/23 |
| 8-28.1 | Nov 8/23 | 9-17 | Feb 27/23 |
| 8-28.2 | Nov 8/23 | 9-18 | Apr 22/19 |
| 8-29 | Nov 8/23 | 9-19 | Apr 22/19 |
| 8-30 | Nov 8/23 | 9-20 | Apr 22/19 |
| 8-31 | Nov 8/23 | 9-21 | Apr 22/19 |
| 8-31.1 | Nov 8/23 | 9-22 | Apr 22/19 |
| 8-31.2 | Nov 8/23 | 10-1 | Apr 22/19 |
| 8-31.3 | Nov 8/23 | 10-2 | Apr 22/19 |
| 8-32 | Nov 8/23 | 10-3 | Apr 22/19 |
| 8-33 | Nov 8/23 | 10-4 | Apr 22/19 |
| 8-34 | Nov 8/23 | 10-5 | Apr 22/19 |
| 8-34.1 | Nov 8/23 | 10-6 | Apr 22/19 |
| 8-34.2 | Nov 8/23 | 10-7 | Apr 22/19 |

UNCONTROLLED COPY WHEN DOWNLOADED OR PRINTED

ENSTROM F-28/280 SERIES ILLUSTRATED PARTS CATALOG

EFFECTIVE PAGE LIST

| Page | Date | Page | Date |
|-------|-----------|-------|----------|
| 10-8 | Apr 22/19 | 11-42 | Nov 8/23 |
| 10-9 | Apr 22/19 | 11-43 | Nov 8/23 |
| 10-10 | Apr 22/19 | 11-44 | Nov 8/23 |
| 10-11 | Apr 22/19 | 11-45 | Nov 8/23 |
| 10-12 | Apr 22/19 | 11-46 | Nov 8/23 |
| 10-13 | Apr 22/19 | 11-47 | Nov 8/23 |
| 10-14 | Apr 22/19 | 11-48 | Nov 8/23 |
| 11-0 | Nov 8/23 | 11-49 | Nov 8/23 |
| 11-1 | Nov 8/23 | 11-50 | Nov 8/23 |
| 11-2 | Nov 8/23 | 11-51 | Nov 8/23 |
| 11-3 | Nov 8/23 | 11-52 | Nov 8/23 |
| 11-4 | Nov 8/23 | 11-53 | Nov 8/23 |
| 11-5 | Nov 8/23 | 11-54 | Nov 8/23 |
| 11-6 | Nov 8/23 | 11-55 | Nov 8/23 |
| 11-7 | Nov 8/23 | 11-56 | Nov 8/23 |
| 11-8 | Nov 8/23 | 11-57 | Nov 8/23 |
| 11-9 | Nov 8/23 | 11-58 | Nov 8/23 |
| 11-10 | Nov 8/23 | 11-59 | Nov 8/23 |
| 11-11 | Nov 8/23 | 11-60 | Nov 8/23 |
| 11-12 | Nov 8/23 | 11-61 | Nov 8/23 |
| 11-13 | Nov 8/23 | 11-62 | Nov 8/23 |
| 11-14 | Nov 8/23 | 11-63 | Nov 8/23 |
| 11-15 | Nov 8/23 | 11-64 | Nov 8/23 |
| 11-16 | Nov 8/23 | 11-65 | Nov 8/23 |
| 11-17 | Nov 8/23 | 11-66 | Nov 8/23 |
| 11-18 | Nov 8/23 | 11-67 | Nov 8/23 |
| 11-19 | Nov 8/23 | 11-68 | Nov 8/23 |
| 11-20 | Nov 8/23 | 11-69 | Nov 8/23 |
| 11-21 | Nov 8/23 | 11-70 | Nov 8/23 |
| 11-22 | Nov 8/23 | 11-71 | Nov 8/23 |
| 11-23 | Nov 8/23 | 11-72 | Nov 8/23 |
| 11-24 | Nov 8/23 | 11-73 | Nov 8/23 |
| 11-25 | Nov 8/23 | 11-74 | Nov 8/23 |
| 11-26 | Nov 8/23 | 11-75 | Nov 8/23 |
| 11-27 | Nov 8/23 | 11-76 | Nov 8/23 |
| 11-28 | Nov 8/23 | 11-77 | Nov 8/23 |
| 11-29 | Nov 8/23 | 11-78 | Nov 8/23 |
| 11-30 | Nov 8/23 | 11-79 | Nov 8/23 |
| 11-31 | Nov 8/23 | 11-80 | Nov 8/23 |
| 11-32 | Nov 8/23 | 11-81 | Nov 8/23 |
| 11-33 | Nov 8/23 | 11-82 | Nov 8/23 |
| 11-34 | Nov 8/23 | 11-83 | Nov 8/23 |
| 11-35 | Nov 8/23 | 11-84 | Nov 8/23 |
| 11-36 | Nov 8/23 | 11-85 | Nov 8/23 |
| 11-37 | Nov 8/23 | 11-86 | Nov 8/23 |
| 11-38 | Nov 8/23 | 11-87 | Nov 8/23 |
| 11-39 | Nov 8/23 | 11-88 | Nov 8/23 |
| 11-40 | Nov 8/23 | 11-89 | Nov 8/23 |
| 11-41 | Nov 8/23 | 11-90 | Nov 8/23 |

UNCONTROLLED COPY WHEN DOWNLOADED OR PRINTED

ENSTROM F-28/280 SERIES ILLUSTRATED PARTS CATALOG

EFFECTIVE PAGE LIST

| Page | Date | Page | Date |
|--------|-----------|-------|-----------|
| 11-91 | Nov 8/23 | 12-28 | Apr 16/24 |
| 11-92 | Nov 8/23 | 12-29 | Apr 16/24 |
| 11-93 | Nov 8/23 | 12-30 | Apr 16/24 |
| 11-94 | Nov 8/23 | 12-31 | Apr 16/24 |
| 11-95 | Nov 8/23 | 12-32 | Apr 16/24 |
| 11-96 | Nov 8/23 | 12-33 | Apr 16/24 |
| 11-97 | Nov 8/23 | 12-34 | Apr 16/24 |
| 11-98 | Nov 8/23 | 12-35 | Apr 16/24 |
| 11-99 | Nov 8/23 | 12-36 | Apr 16/24 |
| 11-100 | Nov 8/23 | 12-37 | Apr 16/24 |
| 11-101 | Nov 8/23 | 12-38 | Apr 16/24 |
| 11-102 | Nov 8/23 | 12-39 | Apr 16/24 |
| 11-103 | Nov 8/23 | 12-40 | Apr 16/24 |
| 11-104 | Nov 8/23 | 12-41 | Apr 16/24 |
| 11-105 | Nov 8/23 | 12-42 | Apr 16/24 |
| 11-106 | Nov 8/23 | 12-43 | Apr 16/24 |
| 11-107 | Nov 8/23 | 12-44 | Apr 16/24 |
| 11-108 | Nov 8/23 | 12-45 | Apr 16/24 |
| 11-109 | Nov 8/23 | 12-46 | Apr 16/24 |
| 11-110 | Nov 8/23 | 12-47 | Apr 16/24 |
| 11-111 | Nov 8/23 | 12-48 | Apr 16/24 |
| 11-112 | Nov 8/23 | 12-49 | Apr 16/24 |
| 12-1 | Apr 16/24 | 12-50 | Apr 16/24 |
| 12-2 | Apr 16/24 | 12-51 | Apr 16/24 |
| 12-3 | Apr 16/24 | 12-52 | Apr 16/24 |
| 12-4 | Apr 16/24 | 12-53 | Apr 16/24 |
| 12-5 | Apr 16/24 | 12-54 | Apr 16/24 |
| 12-6 | Apr 16/24 | 12-55 | Apr 16/24 |
| 12-7 | Apr 16/24 | 12-56 | Apr 16/24 |
| 12-8 | Apr 16/24 | 12-57 | Apr 16/24 |
| 12-9 | Apr 16/24 | 12-58 | Apr 16/24 |
| 12-10 | Apr 16/24 | 12-59 | Apr 16/24 |
| 12-11 | Apr 16/24 | 12-60 | Apr 16/24 |
| 12-12 | Apr 16/24 | 13-1 | Apr 22/19 |
| 12-13 | Apr 16/24 | 13-2 | Apr 22/19 |
| 12-14 | Apr 16/24 | A-1 | Sep 30/13 |
| 12-15 | Apr 16/24 | A-2 | Sep 30/13 |
| 12-16 | Apr 16/24 | A-3 | Mar 24/17 |
| 12-17 | Apr 16/24 | A-4 | Feb 27/23 |
| 12-18 | Apr 16/24 | A-5 | Mar 24/17 |
| 12-19 | Apr 16/24 | A-6 | Mar 24/17 |
| 12-20 | Apr 16/24 | B-1 | Feb 27/23 |
| 12-21 | Apr 16/24 | B-2 | Feb 27/23 |
| 12-22 | Apr 16/24 | B-3 | Feb 27/23 |
| 12-23 | Apr 16/24 | B-4 | Feb 27/23 |
| 12-24 | Apr 16/24 | B-5 | Feb 27/23 |
| 12-25 | Apr 16/24 | B-6 | Feb 27/23 |
| 12-26 | Apr 16/24 | B-7 | Feb 27/23 |
| 12-27 | Apr 16/24 | B-8 | Feb 27/23 |

UNCONTROLLED COPY WHEN DOWNLOADED OR PRINTED

ENSTROM F-28/280 SERIES ILLUSTRATED PARTS CATALOG

EFFECTIVE PAGE LIST

| Page | Date | Page | Date |
|------|-----------|------|-----------|
| B-9 | Feb 27/23 | B-17 | Feb 27/23 |
| B-10 | Feb 27/23 | B-18 | Feb 27/23 |
| B-11 | Feb 27/23 | B-19 | Feb 27/23 |
| B-12 | Feb 27/23 | B-20 | Feb 27/23 |
| B-13 | Feb 27/23 | B-21 | Feb 27/23 |
| B-14 | Feb 27/23 | B-22 | Feb 27/23 |
| B-15 | Feb 27/23 | B-23 | Feb 27/23 |
| B-16 | Feb 27/23 | B-24 | Feb 27/23 |

UNCONTROLLED COPY WHEN DOWNLOADED OR PRINTED

ENSTROM F-28/280 SERIES ILLUSTRATED PARTS CATALOG

PART NUMBER INDEX SECTIONS 3 THROUGH 7 AND 9 THROUGH 12 FIGURES 8-1 THROUGH 8-11

| Part Number | Figure | Item | Part Number | Figure | Item |
|----------------|--------|------|----------------------|--------|------|
| #1357 | 12-5 | – | 02-03705534-00 | 6-4 | – |
| #4016 | 7-2 | 140 | 02-691-04 | 5-2 | 170 |
| #4316 | 7-9 | 430 | 02A21376 | 3-23 | 650 |
| #8x1/2 | 7-8 | 190 | 02A22619 | 3-8 | 190 |
| 00-15073-01 | 3-30 | 30A | 037360-004 | 3-28 | – |
| 01-0770001-41 | 6-4 | 20 | 037360-104 | 3-3 | 280 |
| 01-0770001-51 | 6-4 | 10 | 037360-115 | 3-3 | 160 |
| 01-0770006-08 | 6-6 | 150A | 037360-124 | 3-28 | – |
| 01-0770028-05 | 6-6 | 150 | 037360-160 | 3-3 | 280 |
| 01-0770028-05 | 6-6 | 150A | 037360-161 | 3-3 | 160 |
| 01-0770029 | 6-4 | 140 | 037360-161 | 3-3 | 280 |
| 01-0770029-R | 6-6 | 90 | 07DU08 | 5-2 | 140 |
| 01-0770034-02 | 6-5 | 180 | 08DU08 | 8-1 | 190 |
| 01-0770054-00 | 6-5 | 130 | 09455-01-824-08E-011 | 5-3 | 520 |
| 01-0770054-02 | 6-5 | 120 | 099001-174 | 3-27 | 20 |
| 01-0770119-09 | 6-4 | 350 | 099001-176 | 3-27 | 10 |
| 01-0770119-15 | 11-8 | 80 | 099001-177 | 3-27 | 30 |
| 01-0770119-15 | 11-9 | 90 | 099001-178 | 3-27 | 40 |
| 01-0790006-00 | 6-5 | 150 | 099005-401 | 3-27 | 50 |
| 01-0790006-01 | 6-5 | 170 | 09-DU-10 | 8-10 | 390 |
| 01-0790006-02 | 6-5 | 140 | 09-DU-12 | 8-9 | 400 |
| 01-0790006-03 | 6-5 | 160 | 09-DU-12 | 8-10 | 400 |
| 01-0790340-03 | 6-5 | 170 | 1 | 3-3 | 320 |
| 01-0790340-04 | 6-5 | 160 | 1 | 3-4 | 80 |
| 0110 | 11-1 | – | 1/2 X 8R | 7-11 | 360 |
| 0110 | 11-2 | – | 1/2-6NA | 11-19 | 225 |
| 0110 | 11-3 | – | 1/4 Harper | 12-6 | 90 |
| 0110 | 11-4 | 300 | 1/4 Harper | 12-7 | 140 |
| 01-691-04 | 12-6 | 160 | 1/4 Harper | 3-3 | 60 |
| 01-691-04 | 12-5 | 640 | 1/4 Harper | 5-1 | 110 |
| 01-691-05 | 8-4 | 100 | 1/4 Harper | 5-3 | 370 |
| 01-824-08E-011 | 4-4 | 200 | 1/4 Harper | 5-5 | 120 |
| 01-824-08E-011 | 5-3 | 520 | 1/4 Harper | 8-11 | 160 |
| 02-0250276-00 | 6-6 | 130 | 1/4 Harper | 8-11 | 20 |
| 02-0350003-01 | 6-4 | – | 1/4 Harper | 8-3 | 110 |
| 02-0350003-01 | 6-4 | – | 1/4 Harper | 8-5 | 350 |
| 02-0350003-01 | 6-4 | – | 1/4 Harper | 12-13 | 290 |
| 02-0350281-0 | 6-4 | – | 1/4 Harper | 8-8 | 120 |

UNCONTROLLED COPY WHEN DOWNLOADED OR PRINTED

ENSTROM F-28/280 SERIES ILLUSTRATED PARTS CATALOG

PART NUMBER INDEX SECTIONS 3 THROUGH 7 AND 9 THROUGH 12 FIGURES 8-1 THROUGH 8-11

| Part Number | Figure | Item | Part Number | Figure | Item |
|----------------------|--------|------|---------------|--------|------|
| 1/4 Harper | 7-1 | 250 | 1102 | 5-6 | 244 |
| 1/4 Harper | 12-10 | 170 | 110927-3 | 7-5 | 680 |
| 1/4 Harper | 12-11 | 220 | 1-10-AM5201 | 9-5 | 5 |
| 1/4 Harper | 12-12 | 260 | 11-691-04 | 12-6 | 140 |
| 1/4" O.D. X 24" Long | 6-13 | 150 | 11-691-05 | 8-4 | 130 |
| 1/4-6NA | 11-16 | 40 | 1219-4200-Z3Y | 3-2 | 113 |
| 1/8" | 6-13 | 160 | 1219-4200-Z3Y | 3-20 | - |
| 1/8-6NA | 6-4 | 190 | 1219-4200-Z3Y | 3-20B | - |
| 1/8X8-32 | 3-24 | 450 | 1219-4200-Z3Y | 3-20B | - |
| 10005498 | 3-26 | 50 | 1219-4200-Z3Y | 7-10 | 390 |
| 10065 H1L5 | 4-2 | 80 | 1239 | 3-9 | 21 |
| 101678-0002 | 3-8 | 110 | 12500750 | 4-4 | 140 |
| 10-176485-121 | 6-1 | 100 | 12500750-125B | 4-4 | 140 |
| 102-00007 | 5-6 | 170 | 12528Y-A164 | 12-4 | 20 |
| 10-357290-1 | 11-8 | 275 | 12B | 9-2 | 35 |
| 10-357290-1 | 11-9 | 165 | 12LHTA17-M62 | 3-18 | - |
| 10-357290-1 | 11-1 | 270 | 12LHTA1-M62 | 3-18 | - |
| 10-357290-1 | 11-2 | 160 | 12T35-2 | 11-5 | 160 |
| 10-357290-1 | 11-3 | 160 | 12TS15-2 | 11-8 | 265 |
| 10-357290-1 | 11-5 | 10 | 12TS15-2 | 11-9 | 150 |
| 10-357290-1 | 11-6 | 370 | 12TS15-2 | 11-5 | 160 |
| 10-357290-1 | 11-7 | 580 | 12TS15-2 | 11-7 | 560 |
| 103574-00 | 3-3 | 200 | 13241-LDS | 5-6 | - |
| 10-382780-12 | 6-2 | 40 | 1425 | 7-5 | - |
| 1040 | 11-8 | 90 | 1-480305-0 | 11-8 | - |
| 1040 | 11-9 | 85 | 1-480318-0 | 11-7 | - |
| 1040 | 11-1 | 410 | 1-480319-0 | 6-11 | - |
| 1040 | 11-2 | 310 | 1-480319-0 | 11-7 | - |
| 1040 | 11-3 | 310 | 149-24HT | 3-31 | - |
| 1040 | 11-4 | 290 | 1500-052-1 | 11-1 | 330 |
| 1040 | 11-5 | 40 | 1500-052-1 | 11-2 | 220 |
| 1040 | 11-6 | 170 | 1500-052-1 | 11-3 | 220 |
| 1040 | 11-7 | 190 | 1500-052-1 | 11-4 | 220 |
| 10-400608-123 | 6-1 | 100 | 1500-052-1 | 11-5 | 230A |
| 10-400608-123 | 6-2 | 40 | 1500-052-2 | 6-3 | - |
| 10-400608-243 | 6-2 | 40 | 1500-052-2 | 11-1 | 70 |
| 1053 | 7-4 | 290 | 1500-052-2 | 11-5 | 250 |
| 1061 | 3-24 | - | 1500-052-2 | 11-6 | 190 |

UNCONTROLLED COPY WHEN DOWNLOADED OR PRINTED

ENSTROM F-28/280 SERIES ILLUSTRATED PARTS CATALOG

PART NUMBER INDEX SECTIONS 3 THROUGH 7 AND 9 THROUGH 12 FIGURES 8-1 THROUGH 8-11

| Part Number | Figure | Item | Part Number | Figure | Item |
|--------------|--------|------|----------------|--------|------|
| 1500-052-205 | 11-5 | 230 | 1650 | 12-11 | 200 |
| 1500-052-205 | 11-6 | 400 | 1650 | 12-12 | 200 |
| 1500-056-3 | 11-6 | 410 | 1678 | 11-9 | 180 |
| 15-0007-5 | 6-5 | 10 | 1684 | 11-8 | 200 |
| 1512 | 6-6 | 350 | 1684 | 11-7 | 430 |
| 1512-140 | 6-4 | 90 | 1687 | 11-8 | 245 |
| 1539-001 | 12-1 | 200 | 1687 | 11-7 | 530 |
| 1540 | 5-6 | – | 1691-C | 3-8 | 120 |
| 1540 | 5-7 | 90 | 169E-190-12L | 11-2 | 140 |
| 15753XC2L | 7-1 | 370 | 169E-909-2L | 11-1 | 240 |
| 1592-30 | 11-1 | – | 169E-909-2L | 11-2 | 130 |
| 1592-30 | 11-2 | – | 169E-909-2L | 11-3 | 130 |
| 1592-30 | 11-3 | – | 169E-909-2L | 11-4 | 130 |
| 1592-30 | 11-4 | – | 169E-909-3L | 11-3 | – |
| 1592-30 | 11-5 | – | 169E-910-11-3L | 11-3 | – |
| 15PA90-4R | 11-8 | 270 | 169E-910-11L | 11-1 | 230 |
| 15PA90-4R | 11-9 | 155 | 169E-910-11L | 11-2 | 120 |
| 15PA90-4R | 11-7 | 570 | 169E-910-11L | 11-3 | 120 |
| 160-012-70 | 11-8 | 190 | 169E-910-11L | 11-4 | 120 |
| 160-012-70 | 11-9 | 160 | 169E-910-12-1L | 11-3 | – |
| 160-012-70 | 11-7 | 410 | 169E-910-12L | 11-1 | 250 |
| 16-1 | 12-13 | 320 | 169E-910-12L | 11-3 | 140 |
| 16-1 | 12-5 | – | 169E-910-12L | 11-4 | 140 |
| 16-1 | 12-11 | 40 | 169E-910-14-4L | 11-1 | 200 |
| 16-1 | 12-12 | 290 | 169E-910-14-4L | 11-2 | 90 |
| 1637-B | 12-3 | 50 | 169E-910-14-4L | 11-3 | 90 |
| 1637-B | 4-1 | 330 | 169E-910-14-4L | 11-4 | 90 |
| 1637-B | 8-1 | 70 | 169E-910-14-5L | 11-3 | – |
| 1637-B1 | 8-3A | 180 | 169E-910-15-1L | 11-3 | – |
| 1641 | 12-9 | – | 169E-910-15L | 11-1 | 220 |
| 1641-B | 4-1 | 260 | 169E-910-15L | 11-2 | 110 |
| 1641-B | 4-2 | 160 | 169E-910-15L | 11-3 | 110 |
| 1641-B | 5-4 | 320 | 169E-910-15L | 11-4 | 110 |
| 1641-B | 8-4 | 90 | 169E-914-1L | 11-1 | 210 |
| 1650 | 4-2 | 160 | 169E-914-1L | 11-2 | 100 |
| 1650 | 5-4 | 130 | 169E-914-1L | 11-3 | 100 |
| 1650 | 12-13 | 220 | 169E-914-1L | 11-4 | 100 |
| 1650 | 12-10 | 190 | 169E-914-2L | 11-3 | – |

UNCONTROLLED COPY WHEN DOWNLOADED OR PRINTED

ENSTROM F-28/280 SERIES ILLUSTRATED PARTS CATALOG

PART NUMBER INDEX SECTIONS 3 THROUGH 7 AND 9 THROUGH 12 FIGURES 8-1 THROUGH 8-11

| Part Number | Figure | Item | Part Number | Figure | Item |
|---------------|--------|------|---------------|--------|-------|
| 16DU12 | 8-5 | 230 | 20044S | 10-1 | 4 |
| 16-DU-12 | 8-3A | 60 | 20-0824130A00 | 6-4 | - |
| 16-DU-14 | 8-3A | 60 | 2-010 | 3-26 | 80 |
| 16-DU-16 | 8-3A | 60 | 201F-5006 | 3-31 | - |
| 1728-B | 5-3 | 270 | 201NP | 5-3 | 300 |
| 1815 | 11-1 | - | 20206A | 3-7 | 310 |
| 1815 | 11-3 | - | 2-025 E515-80 | 4-4 | 110 |
| 1815 | 11-5 | - | 2-025 E515-80 | 4-4 | 40 |
| 1816 | 6-4 | 120 | 2-026 | 3-9 | 60 |
| 1816 | 6-5 | 20 | 2-029 | 4-2 | 140 |
| 18207 | 3-26 | 150 | 202A-13BTR | 11-3 | 330 |
| 18286-00 | 3-26 | 130 | 202A-13BTR | 11-5 | 270 |
| 18-2-G | 12-5 | 780 | 202A-13BTR | 11-16 | 10 |
| 183204 | 3-26 | 150 | 202A-1A | 11-2 | 330 |
| 184969 | 3-4 | 120 | 202A-1ATR | 11-4 | - |
| 1877 | 12-13 | 110 | 20526 | 5-4 | 290 |
| 1885 | 12-11 | 150 | 206036-1 | 8-5 | 190 |
| 1886 | 11-18 | 130 | 206037-1 | 8-5 | 200 |
| 1886 | 12-4 | 150 | 206044-1 | 8-5 | 200A |
| 1911-B | 4-1 | 320 | 206070-1 | 8-5 | 210 |
| 1911-B | 5-4 | 320 | 206322-1 | 8-5 | 210A |
| 1911-B | 8-3A | 180 | 20TC2-CA-10 | 11-6 | -470A |
| 1911-B1 | 11-18 | 70 | 20TC2-CA-15 | 11-1 | 280 |
| 1911-B1 | 12-4 | 140 | 20TC2-CA-15 | 11-2 | 170 |
| 1911-B1 | 8-1 | 70 | 20TC2-CA-20 | 11-1 | 300 |
| 19-130074-009 | 6-6 | 100 | 20TC2-CA-20 | 11-2 | 190 |
| 19-150002-009 | 6-4 | - | 20TC2-CA-20 | 11-3 | 190 |
| 19-150002-009 | 6-4 | - | 20TC2-CA-20 | 11-4 | 190 |
| 19-150002-009 | 6-4 | - | 20TC2-CA-20 | 11-5 | 200A |
| 1B7536 | 5-6 | 135 | 20TC2-CA-20 | 11-6 | 470 |
| 1SE1 | 5-1 | 310 | 20TC2-CA-3 | 11-1 | 260 |
| 2000653-001 | 6-5 | 10 | 20TC2-CA-3 | 11-2 | 150 |
| 20020S | 7-22 | 250 | 20TC2-CA-3 | 11-3 | 150 |
| 20024S | 7-22 | 270 | 20TC2-CA-3 | 11-4 | 150 |
| 20040S | 10-1 | 18 | 20TC2-CA-3 | 11-5 | 190A |
| 20040S | 3-3 | 260 | 20TC2-CA-3 | 11-6 | 480 |
| 20042A | 3-6 | 10 | 20TC2-CA-5 | 11-3 | 170 |
| 20042A | 3-7 | 180 | 20TC2-CA-5 | 11-4 | 170 |

UNCONTROLLED COPY WHEN DOWNLOADED OR PRINTED

ENSTROM F-28/280 SERIES ILLUSTRATED PARTS CATALOG

PART NUMBER INDEX SECTIONS 3 THROUGH 7 AND 9 THROUGH 12 FIGURES 8-1 THROUGH 8-11

| Part Number | Figure | Item | Part Number | Figure | Item |
|---------------|--------|-------|----------------|--------|------|
| 20TC2-CA-5 | 11-5 | 180A | 222 | 11-5 | – |
| 20TC2-CA-5 | 11-6 | 460 | 22-370-60 | 11-8 | 405 |
| 20TC2-CA-7.5 | 11-1 | 140 | 22-370-60 | 11-9 | 315 |
| 20TC2-CA-7.5 | 11-1 | 290 | 22-370-60 | 11-1 | – |
| 20TC2-CA-7.5 | 11-2 | 30 | 22-370-60 | 11-2 | – |
| 20TC2-CA-7.5 | 11-2 | 180 | 22-370-60 | 11-3 | – |
| 20TC2-CA-7.5 | 11-3 | 30 | 22-370-60 | 11-4 | – |
| 20TC2-CA-7.5 | 11-3 | 180 | 22-370-60 | 11-5 | – |
| 20TC2-CA-7.5 | 11-3 | 210 | 22-370-60 | 11-7 | 880 |
| 20TC2-CA-7.5 | 11-3 | 230 | 229001P | 6-12 | 70 |
| 20TC2-CA-7.5 | 11-4 | 30 | 22NKM-82 | 7-4 | 200 |
| 20TC2-CA-7.5 | 11-4 | 160 | 2-326 E515-80 | 4-4 | 90 |
| 20TC2-CA-7.5 | 11-4 | 180 | 2335-265-1 | 11-8 | 460 |
| 20TC2-CA-7.5 | 11-4 | 210 | 2335-265-1 | 11-9 | 370 |
| 20TC2-CA-7.5 | 11-4 | 230 | 2335-265-1 | 11-5 | – |
| 20TC2-CA-7.5 | 11-5 | 170A | 2335-265-1 | 11-7 | 980 |
| 20TC2-CA-7.5 | 11-6 | –460A | 23S-094-0625 | 4-3 | 70 |
| 210A155 | 8-9 | 100 | 2500-4 | 7-5 | 780 |
| 210A155 | 8-10 | 100 | 2524917-1 | 3-31 | – |
| 210A249 | 8-9 | –110 | 270624141H0080 | 3-22 | 220 |
| 210A249 | 8-10 | –110 | 2716-00 | 11-5 | – |
| 2-131 N304-75 | 7-21 | 80 | 28-00013-1 | 11-21 | 190 |
| 2-137 E515-80 | 4-4 | 150 | 28-00013-3 | 11-21 | 200 |
| 21FA-540 | 12-1 | 130 | 28-00014-1 | 11-21 | 10 |
| 21FA-540 | 5-6 | – | 28-00014-3 | 11-21 | 20 |
| 2212A | 3-22 | 250 | 28-00015-1 | 11-21 | 30 |
| 2212A | 3-23 | 260 | 28-00015-3 | 11-21 | 40 |
| 2-214 | 3-9 | 70 | 28-00016-1 | 11-21 | 50 |
| 2-214 | 5-6 | 200 | 28-00016-3 | 11-21 | 60 |
| 22-169-09-1L | 11-1 | 190 | 28-00017-1 | 11-21 | – |
| 22-169-09-1L | 11-2 | 80 | 28-00018-1 | 11-21 | – |
| 22-169-09-1L | 11-3 | 80 | 28-01011-3 | 6-13 | 200 |
| 22-169-09-1L | 11-4 | 80 | 28-01026-1 | 11-5 | 270B |
| 2-218 | 3-9 | 40 | 28-01026-11 | 11-19 | 70 |
| 222 | 11-1 | 380 | 28-01026-11 | 11-17 | – |
| 222 | 11-2 | 280 | 28-01026-3 | 11-5 | 270A |
| 222 | 11-3 | 280 | 28-01026-3 | 11-17 | – |
| 222 | 11-4 | – | 28-01039-1 | 3-3 | – |

UNCONTROLLED COPY WHEN DOWNLOADED OR PRINTED

ENSTROM F-28/280 SERIES ILLUSTRATED PARTS CATALOG

PART NUMBER INDEX SECTIONS 3 THROUGH 7 AND 9 THROUGH 12 FIGURES 8-1 THROUGH 8-11

| Part Number | Figure | Item | Part Number | Figure | Item |
|----------------|--------|------|---------------|--------|-------|
| 28-01041-1 | 12-2 | 120 | 280-113033-1 | 9-1 | 1B |
| 28-01041-3 | 12-2 | 120 | 280-113033-3 | 9-1 | 1C |
| 28-01058-15 | 3-5A | - | 280-113035-1 | 7-5 | 840 |
| 28-01058-3 | 3-5A | 140 | 280-113035-11 | 7-5 | - |
| 280-112000-1 | 7-13 | - | 280-113035-12 | 7-5 | - |
| 280-112000-3 | 7-13 | - | 280-113035-2 | 7-5 | -850 |
| 280-112000-5 | 7-13 | - | 280-113036-1 | 7-5 | 960 |
| 280-112001-11 | 7-14 | 70 | 280-113036-11 | 7-5 | - |
| 280-112001-12 | 7-14 | 80 | 280-113036-13 | 7-5 | - |
| 280-112001-13 | 7-14 | -60 | 280-113036-15 | 7-5 | - |
| 280-112001-15 | 7-14 | -120 | 280-113036-3 | 7-5 | -960A |
| 280-112002-1 | 7-14 | -190 | 280-113036-5 | 7-5 | -960B |
| 280-112002-3 | 7-14 | -200 | 280-113037-1 | 7-5 | 970 |
| 280-112006-11 | 7-14 | 240 | 280-113037-11 | 7-5 | 970 |
| 280-113000-103 | 7-5 | - | 280-113037-13 | 7-5 | 970 |
| 280-113001-9 | 7-5 | - | 280-113038-11 | 7-5 | -610 |
| 280-113006-19 | 3-10 | 20 | 280-113038-12 | 7-5 | 620 |
| 280-113016-29 | 6-10 | 80 | 280-113039-11 | 7-5 | 810 |
| 280-113016-31 | 6-10 | 90 | 280-114500-13 | 7-5 | 210 |
| 280-113019-31 | 6-9 | 80 | 280-114500-13 | 7-10 | 520 |
| 280-113022-11 | 7-5 | -20 | 280-114500-17 | 7-9 | -280 |
| 280-113022-12 | 7-5 | 10 | 280-114500-17 | 7-10 | 420 |
| 280-113022-13 | 7-5 | 80 | 280-114500-18 | 7-9 | 290 |
| 280-113022-14 | 7-5 | 90 | 280-114500-18 | 7-10 | -430 |
| 280-113022-15 | 7-5 | 110 | 280-114500-19 | 7-10 | 370 |
| 280-113022-16 | 7-5 | 120 | 280-114500-20 | 7-10 | -380 |
| 280-113022-17 | 7-5 | 30 | 280-114500-21 | 7-10 | 540 |
| 280-113023-1 | 7-5 | - | 280-114500-22 | 7-10 | -550 |
| 280-113024-1 | 7-5 | 130 | 280-114500-23 | 7-10 | 560 |
| 280-113027-1 | 7-5 | 700 | 280-114500-24 | 7-10 | -570 |
| 280-113027-13 | 7-5 | 760 | 280-114501-1 | 7-9 | 10 |
| 280-113027-14 | 7-5 | -770 | 280-114501-5 | 7-10 | 500 |
| 280-113027-2 | 7-5 | -710 | 280-114502-1 | 7-11 | -210 |
| 280-113027-23 | 7-5 | 720 | 280-114502-3 | 7-10 | 140 |
| 280-113027-24 | 7-5 | -730 | 280-114502-3 | 7-11 | 180 |
| 280-113027-31 | 7-5 | 740 | 280-114502-4 | 7-10 | 150 |
| 280-113032-11 | 7-5 | 910 | 280-114502-4 | 7-11 | 190 |
| 280-113032-12 | 7-5 | -920 | 280-114502-5 | 7-9 | 180 |

UNCONTROLLED COPY WHEN DOWNLOADED OR PRINTED

ENSTROM F-28/280 SERIES ILLUSTRATED PARTS CATALOG

PART NUMBER INDEX SECTIONS 3 THROUGH 7 AND 9 THROUGH 12 FIGURES 8-1 THROUGH 8-11

| Part Number | Figure | Item | Part Number | Figure | Item |
|---------------|--------|-------|----------------|--------|------|
| 280-114503-1 | 7-9 | 220 | 280-117003-2 | 7-5 | 420 |
| 280-114503-1 | 7-11 | -330 | 280-117003-27 | 7-5 | 470 |
| 280-114503-3 | 7-9 | -190 | 280-117003-3 | 7-5 | -540 |
| 280-114503-3 | 7-11 | -20 | 280-117003-4 | 7-5 | 550 |
| 280-114503-4 | 7-9 | 200 | 280-124001-1 | 3-22 | 10 |
| 280-114503-4 | 7-11 | -40 | 280-124001-1 | 3-23 | 10 |
| 280-114503-5 | 7-9 | 260 | 280-124001-1 | 3-24 | 490 |
| 280-114503-5 | 7-11 | -250 | 280-124001-1 | 3-26 | - |
| 280-114503-6 | 7-9 | 270 | 280-124001-3 | 3-26 | 190 |
| 280-114503-6 | 7-11 | -260 | 280-124301-1 | 3-24 | 10 |
| 280-114504-1 | 7-9 | 150 | 280-124301-15 | 3-24 | - |
| 280-114505-2 | 7-9 | 370 | 280-124301-16 | 3-24 | - |
| 280-114505-2 | 7-10 | 190 | 280-124301-2 | 3-24 | 20 |
| 280-114507-1 | 7-5 | 160 | 280-124301-901 | 3-24 | 10 |
| 280-114507-1 | 7-10 | 90 | 280-124301-902 | 3-24 | 20 |
| 280-114507-3 | 7-5 | -160A | 280-126001-109 | 3-20 | - |
| 280-114507-3 | 7-10 | 60 | 280-126001-109 | 3-20A | - |
| 280-114508-1 | 7-9 | 410 | 280-126001-109 | 3-20B | - |
| 280-114508-1 | 7-10 | 240 | 280-126001-11 | 3-20B | - |
| 280-114508-1 | 7-11 | 490 | 280-126001-15 | 3-20 | - |
| 280-114508-11 | 7-9 | 410 | 280-126001-15 | 3-20A | - |
| 280-114508-11 | 7-11 | 490 | 280-126001-15 | 3-20B | - |
| 280-114509-1 | 7-9 | 20 | 280-126001-3 | 3-20B | - |
| 280-117000-1 | 7-5 | - | 280-126001-33 | 3-19 | 90 |
| 280-117000-10 | 7-5 | 560 | 280-126001-33 | 3-20B | - |
| 280-117000-15 | 7-5 | 570 | 280-126001-34 | 3-20 | - |
| 280-117000-17 | 7-5 | 350 | 280-126001-35 | 3-19 | 110 |
| 280-117000-2 | 7-5 | - | 280-126001-37 | 3-19 | 130 |
| 280-117000-25 | 7-5 | -360 | 280-126001-39 | 3-19 | 120 |
| 280-117000-26 | 7-5 | 370 | 280-126001-41 | 3-19 | 100 |
| 280-117001-15 | 7-5 | 290 | 280-126001-45 | 3-6 | 290 |
| 280-117001-23 | 7-5 | 300 | 280-126001-45 | 3-7 | 220 |
| 280-117001-25 | 7-5 | 520 | 280-126001-47 | 3-6 | 280 |
| 280-117001-3 | 7-5 | 480 | 280-126001-47 | 3-7 | 230 |
| 280-117001-5 | 7-5 | 500 | 280-126001-51 | 3-19 | 80 |
| 280-117001-7 | 7-5 | 490 | 280-126001-51 | 3-20 | - |
| 280-117002-1 | 7-5 | 320 | 280-126001-51 | 3-20B | - |
| 280-117003-1 | 7-5 | -410 | 280-126001-53 | 3-20 | - |

UNCONTROLLED COPY WHEN DOWNLOADED OR PRINTED

ENSTROM F-28/280 SERIES ILLUSTRATED PARTS CATALOG

PART NUMBER INDEX SECTIONS 3 THROUGH 7 AND 9 THROUGH 12 FIGURES 8-1 THROUGH 8-11

| Part Number | Figure | Item | Part Number | Figure | Item |
|----------------|--------|------|----------------|--------|-------|
| 280-126001-53 | 3-20A | – | 280-180004-21 | 11-4 | 260 |
| 280-126001-53 | 3-20B | – | 280-180004-25 | 11-6 | 160 |
| 280-126001-55 | 3-20 | – | 280-180005-1 | 11-4 | 320 |
| 280-126001-55 | 3-20A | – | 280-180005-2 | 11-4 | 310 |
| 280-126001-55 | 3-20B | – | 280-180006-1 | 9-2 | 6 |
| 280-126001-69 | 3-20 | 610 | 280-180007-1 | 11-21 | 1090 |
| 280-126001-69 | 3-20A | 610 | 280-181000-1 | 11-15 | – |
| 280-126001-69 | 3-20B | 610 | 280-181000-11 | 11-15 | 30 |
| 280-126001-9 | 3-20 | 210 | 280-181000-13 | 11-15 | 35 |
| 280-126001-9 | 3-20A | 210 | 280-181000-13 | 11-14 | –40A |
| 280-126001-9 | 3-20B | 210 | 280-181000-15 | 11-15 | 40 |
| 280-126001-906 | 3-20B | 20 | 280-181000-17 | 11-15 | 5 |
| 280-126001-908 | 3-20 | 20 | 280-181000-19 | 11-15 | 10 |
| 280-126001-908 | 3-20A | 20 | 280-181000-21 | 11-15 | 70 |
| 280-126002-1 | 3-6 | 190 | 280-181000-23 | 11-15 | 45 |
| 280-126002-1 | 3-7 | 210 | 280-181000-25 | 11-15 | 50 |
| 280-126003-1 | 3-6 | 240 | 280-181000-911 | 11-12 | –110A |
| 280-126003-1 | 3-7 | 170 | 280-181000-911 | 11-14 | –30A |
| 280-126003-1 | 7-11 | 390 | 280-181000-913 | 11-12 | –90A |
| 280-127500-11 | 10-2 | 16 | 280-181000-915 | 11-12 | –100A |
| 280-127502-1 | 10-2 | 20 | 280-181000-915 | 11-14 | –50A |
| 280-127505-13 | 10-2 | 18 | 280-181000-917 | 11-12 | –80A |
| 280-127505-17 | 3-18 | – | 280-181000-917 | 11-14 | –60A |
| 280-127505-17 | 3-20 | – | 280-181000-919 | 11-12 | –60A |
| 280-127505-17 | 3-20A | – | 280-181000-919 | 11-14 | –70A |
| 280-127505-17 | 3-20B | – | 280-181000-921 | 11-12 | –70A |
| 280-127505-17 | 3-5A | 70 | 280-181000-921 | 11-14 | –80A |
| 280-127507-11 | 10-2 | 17 | 280-200000-1 | 7-16 | 10 |
| 280-128000-2 | 7-5 | 150 | 280-200000-2 | 7-16 | 20 |
| 280-180000 | 11-3 | – | 280-201000-1 | 7-16 | 190 |
| 280-180000 | 11-4 | – | 280-201000-33 | 7-16 | 180 |
| 280-180001-11 | 9-2 | 9 | 280-201000-41 | 7-16 | 170 |
| 280-180001-12 | 9-2 | 8 | 280-201002-11 | 7-16 | 250 |
| 280-180001-13 | 9-2 | 10 | 280-210002-1 | 7-16 | 230 |
| 280-180003-3 | 11-6 | 300 | 280-210004-5 | 6-5 | – |
| 280-180004 | 11-3 | 250 | 280-210007-1 | 6-8 | 30 |
| 280-180004-19 | 11-4 | 250 | 280-210007-11 | 6-8 | – |
| 280-180004-21 | 11-3 | 260 | 280-210007-13 | 6-8 | – |

UNCONTROLLED COPY WHEN DOWNLOADED OR PRINTED

ENSTROM F-28/280 SERIES ILLUSTRATED PARTS CATALOG

PART NUMBER INDEX SECTIONS 3 THROUGH 7 AND 9 THROUGH 12 FIGURES 8-1 THROUGH 8-11

| Part Number | Figure | Item | Part Number | Figure | Item |
|--------------|--------|------|--------------|--------|------|
| 280-210007-3 | 6-8 | 30 | 28-11217-3 | 7-15 | 160 |
| 280-221001 | 9-3 | - | 28-11217-3 | 7-16 | 100 |
| 28-10-60-11 | 6-13 | 210 | 28-11218-1 | 7-15 | 150 |
| 28-111004-1 | 3-10 | 130 | 28-11218-1 | 7-16 | 90 |
| 28-111004-1 | 3-15 | 150 | 28-11221-1 | 7-15 | 80 |
| 28-111004-15 | 3-15 | 150 | 28-11221-2 | 7-15 | 90 |
| 28-111004-17 | 3-15 | 150 | 28-11222-1 | 7-15 | 130 |
| 28-11112-1 | 3-6 | 140 | 28-11222-15 | 7-17 | 80 |
| 28-11112-1 | 3-7 | 110 | 28-11225-11 | 7-14 | 230 |
| 28-11120-1 | 11-11 | 160 | 28-11227-13 | 7-18 | - |
| 28-11121-4 | 11-11 | 210 | 28-11227-13 | 7-18 | - |
| 28-11121-4 | 11-14 | 80 | 28-11227-17 | 7-18 | - |
| 28-11121-7 | 11-11 | 170 | 28-11227-17 | 7-18 | - |
| 28-11121-901 | 11-11 | 230 | 28-11227-21 | 7-18 | - |
| 28-11121-901 | 11-12 | 70 | 28-11227-21 | 7-18 | - |
| 28-11128-1 | 5-1 | 460 | 28-11236-1 | 7-14 | - |
| 28-11201-12 | 7-14 | 100 | 28-11236-1 | 7-15 | - |
| 28-11201-3 | 7-14 | 30 | 28-11236-1 | 7-16 | - |
| 28-11201-4 | 7-14 | 40 | 28-11236-31 | 7-14 | -110 |
| 28-11201-5 | 7-14 | 20 | 28-11236-5 | 7-14 | - |
| 28-11201-6 | 7-14 | 10 | 28-11236-5 | 7-18 | - |
| 28-11201-7 | 7-14 | 50 | 28-11238-1 | 12-3 | -55 |
| 28-11201-8 | 7-14 | 90 | 28-11239-1 | 7-18 | 10 |
| 28-11201-996 | 7-14 | - | 28-11239-101 | 7-18 | 40 |
| 28-11202-1 | 7-14 | 150 | 28-11239-11 | 7-18 | - |
| 28-11203-1 | 7-14 | 160 | 28-11239-13 | 7-18 | - |
| 28-11204-1 | 7-14 | 170 | 28-11239-19 | 7-18 | - |
| 28-11204-11 | 7-14 | 170 | 28-11239-21 | 7-18 | - |
| 28-11205-1 | 7-14 | 180 | 28-11239-21 | 7-18 | - |
| 28-11205-11 | 7-14 | 180 | 28-11239-23 | 7-18 | - |
| 28-11206-1 | 7-14 | 210 | 28-11239-25 | 7-18 | - |
| 28-11206-5 | 7-14 | 210 | 28-11239-27 | 7-18 | - |
| 28-11207-1 | 7-14 | 220 | 28-11239-27 | 7-18 | - |
| 28-11207-3 | 7-14 | 220 | 28-11239-3 | 7-18 | 20 |
| 28-11215-1 | 7-15 | 200 | 28-11239-35 | 7-18 | - |
| 28-11215-1 | 7-16 | 120 | 28-11239-35 | 7-18 | - |
| 28-11217-1 | 7-15 | 160 | 28-11239-37 | 7-18 | - |
| 28-11217-1 | 7-16 | 100 | 28-11239-37 | 7-18 | - |

UNCONTROLLED COPY WHEN DOWNLOADED OR PRINTED

ENSTROM F-28/280 SERIES ILLUSTRATED PARTS CATALOG

PART NUMBER INDEX SECTIONS 3 THROUGH 7 AND 9 THROUGH 12 FIGURES 8-1 THROUGH 8-11

| Part Number | Figure | Item | Part Number | Figure | Item |
|--------------|--------|-------|---------------|--------|-------|
| 28-11239-39 | 7-18 | - | 28-113080-4 | 7-4 | -630 |
| 28-11239-39 | 7-18 | - | 28-113080-5 | 7-4 | 620 |
| 28-11239-9 | 7-18 | 30 | 28-113080-6 | 7-4 | -630 |
| 28-11242-11 | 7-14 | 140 | 28-113084-11 | 7-4 | 450 |
| 28-11243-11 | 7-14 | 130 | 28-113085-13 | 7-4 | 430 |
| 28-11248-1 | 7-14 | - | 28-113085-14 | 7-4 | -440 |
| 28-11298-13 | 3-12 | 10 | 28-113087-11 | 7-4 | 250 |
| 28-11300 | 7-1 | - | 28-113088-11 | 7-4 | 300 |
| 28-11300 | 7-13 | - | 28-113090-11 | 7-4 | 310 |
| 28-11300-1 | 7-1 | - | 28-113090-12 | 7-4 | -320 |
| 28-11303-1 | 9-1 | 1 | 28-113090-13 | 7-4 | -340 |
| 28-11303-4 | 9-1 | 12 | 28-113090-14 | 7-4 | -350 |
| 28-11303-5 | 9-1 | 1A | 28-113090-15 | 7-4 | 410 |
| 28-113040-11 | 9-1 | 2 | 28-113090-16 | 7-4 | -420 |
| 28-113040-13 | 9-1 | 2A | 28-113090-17 | 7-4 | 470 |
| 28-113041-11 | 7-5 | -250 | 28-113090-18 | 7-4 | 640 |
| 28-113041-12 | 7-5 | 260 | 28-113090-19 | 7-4 | 490 |
| 28-113042-11 | 9-1 | 9 | 28-113090-20 | 7-4 | -500 |
| 28-113046-3 | 7-5 | 990 | 28-113090-21 | 7-4 | 30 |
| 28-113046-4 | 7-5 | -1000 | 28-113090-22 | 7-4 | -40 |
| 28-113047-11 | 7-5 | -230 | 28-113090-23 | 7-4 | - |
| 28-113047-12 | 7-5 | 240 | 28-113090-24 | 7-4 | - |
| 28-113048-2 | 7-1 | - | 28-113090-25 | 7-4 | 270 |
| 28-113048-2 | 7-2 | - | 28-113090-27 | 7-4 | 590 |
| 28-113052-2 | 7-2 | 30 | 28-113090-3 | 7-4 | - |
| 28-113054-1 | 6-5 | 250 | 28-113090-4 | 7-4 | - |
| 28-113054-1 | 7-7 | 10 | 28-11309-1 | 7-1 | - |
| 28-113054-12 | 7-7 | 20 | 28-113091-1 | 7-4 | -540 |
| 28-113055-1 | 7-7 | - | 28-113091-3 | 7-4 | -540 |
| 28-113069-1 | 9-1 | 14 | 28-113091-3CS | 7-4 | -540A |
| 28-113071-1 | 7-1 | - | 28-113091-5 | 7-4 | 520 |
| 28-113076-1 | 7-4 | 210 | 28-113091-6 | 7-4 | -530 |
| 28-113076-15 | 7-4 | - | 28-113092-11 | 7-4 | 550 |
| 28-113077-11 | 7-4 | 270 | 28-113092-13 | 7-4 | 550 |
| 28-113078-11 | 7-4 | 240 | 28-11309-3 | 7-1 | 600 |
| 28-11307-901 | 8-5 | 560 | 28-11309-3 | 7-2 | 170 |
| 28-11307-902 | 8-5 | -550 | 28-113093-13 | 7-4 | 670 |
| 28-113080-3 | 7-4 | 620 | 28-11309-4 | 7-1 | 610 |

UNCONTROLLED COPY WHEN DOWNLOADED OR PRINTED

ENSTROM F-28/280 SERIES ILLUSTRATED PARTS CATALOG

PART NUMBER INDEX SECTIONS 3 THROUGH 7 AND 9 THROUGH 12 FIGURES 8-1 THROUGH 8-11

| Part Number | Figure | Item | Part Number | Figure | Item |
|--------------|--------|------|--------------|--------|------|
| 28-11309-4 | 7-2 | -180 | 28-113113-11 | 7-6 | 370 |
| 28-11309-6 | 7-1 | 620 | 28-113113-13 | 7-6 | 310 |
| 28-113096-1 | 7-4 | 430 | 28-113114-1 | 7-6 | 200 |
| 28-113096-2 | 7-4 | -440 | 28-113114-2 | 7-6 | -210 |
| 28-11309-7 | 7-1 | 630 | 28-113118-11 | 7-6 | 220 |
| 28-113097-13 | 7-4 | - | 28-113118-12 | 7-6 | -230 |
| 28-113097-14 | 7-4 | - | 28-113120-11 | 7-6 | 400 |
| 28-113097-3 | 7-4 | 560 | 28-113122-1 | 7-6 | 150 |
| 28-113097-4 | 7-4 | -570 | 28-113122-2 | 7-6 | -160 |
| 28-11310-1 | 7-1 | -10 | 28-113122-3 | 7-6 | 170 |
| 28-11310-10 | 7-4 | 20 | 28-113122-4 | 7-6 | -180 |
| 28-11310-103 | 7-2 | 40 | 28-113124-11 | 7-6 | 580 |
| 28-11310-104 | 7-2 | -50 | 28-113124-12 | 7-6 | -590 |
| 28-113101-1 | 7-6 | 500 | 28-113125-11 | 7-6 | 560 |
| 28-11310-11 | 7-1 | 50 | 28-113125-12 | 7-6 | -570 |
| 28-113101-2 | 7-6 | -510 | 28-113128-11 | 7-6 | 660 |
| 28-113101-3 | 7-6 | 380 | 28-113129-11 | 7-6 | 640 |
| 28-113101-4 | 7-6 | -390 | 28-113134-11 | 7-6 | 600 |
| 28-11310-2 | 7-1 | 20 | 28-113134-12 | 7-6 | -610 |
| 28-113102-1 | 7-5 | - | 28-113135-11 | 7-6 | 320 |
| 28-113102-11 | 7-5 | 790 | 28-113135-12 | 7-6 | -330 |
| 28-113103-1 | 7-6 | 540 | 28-113136-11 | 7-6 | 340 |
| 28-113103-2 | 7-6 | -550 | 28-113136-12 | 7-6 | -350 |
| 28-113103-3 | 7-6 | 480 | 28-113139-1 | 7-6 | 10 |
| 28-113103-4 | 7-6 | -490 | 28-113139-2 | 7-6 | -20 |
| 28-11310-5 | 7-4 | -40 | 28-113140-1 | 7-6 | 430 |
| 28-11310-6 | 7-4 | 30 | 28-11360-1 | 6-9 | 70 |
| 28-11310-7 | 7-1 | 30 | 28-11371-1 | 7-1 | - |
| 28-113107-11 | 3-11 | - | 28-11371-1 | 7-1 | 810 |
| 28-113107-13 | 3-11 | - | 28-11371-1 | 7-4 | 610 |
| 28-113107-15 | 3-11 | - | 28-11372-1 | 7-1 | 290 |
| 28-11310-8 | 7-1 | -40 | 28-11373-1 | 7-1 | 270 |
| 28-113108-11 | 3-11 | - | 28-11376-1 | 7-1 | 260 |
| 28-113108-13 | 3-11 | - | 28-11392-1 | 12-5 | 130 |
| 28-113108-15 | 3-11 | - | 28-11395-1 | 9-2 | 5 |
| 28-11310-905 | 7-1 | 100 | 28-11395-1 | 9-3 | 50 |
| 28-113112-11 | 7-6 | 410 | 28-11395-1 | 9-4 | 50 |
| 28-113112-12 | 7-6 | -420 | 28-11400-1 | 7-1 | - |

UNCONTROLLED COPY WHEN DOWNLOADED OR PRINTED

ENSTROM F-28/280 SERIES ILLUSTRATED PARTS CATALOG

PART NUMBER INDEX SECTIONS 3 THROUGH 7 AND 9 THROUGH 12 FIGURES 8-1 THROUGH 8-11

| Part Number | Figure | Item | Part Number | Figure | Item |
|--------------|--------|------|--------------|--------|------|
| 28-11400-1 | 7-8 | - | 28-114017-1 | 7-10 | 130 |
| 28-114002-3 | 7-11 | -230 | 28-114017-1 | 7-11 | 200 |
| 28-114003-1 | 7-11 | 400 | 28-114018-1 | 7-10 | 160 |
| 28-114003-3 | 7-11 | 400 | 28-114018-1 | 7-11 | 220 |
| 28-114010-11 | 7-11 | 50 | 28-114019-11 | 7-11 | -110 |
| 28-114010-12 | 7-11 | -60 | 28-114019-11 | 7-12 | 80 |
| 28-114011-13 | 7-11 | -160 | 28-114019-13 | 7-11 | -130 |
| 28-114011-15 | 7-11 | -170 | 28-114019-15 | 7-12 | 70 |
| 28-114011-17 | 7-11 | -150 | 28-114019-3 | 7-10 | 10 |
| 28-114011-5 | 7-10 | 110 | 28-114019-3 | 7-11 | -100 |
| 28-114011-5 | 7-11 | 140 | 28-114019-3 | 7-12 | - |
| 28-114012-1 | 7-10 | 200 | 28-114019-5 | 7-10 | 80 |
| 28-114012-11 | 7-11 | 240 | 28-11402-1 | 7-8 | 20 |
| 28-11401-3 | 7-8 | 10 | 28-11402-1 | 7-9 | 30 |
| 28-11401-3 | 7-11 | -90 | 28-11402-1 | 7-11 | 480 |
| 28-114013-11 | 7-11 | -280 | 28-114022-1 | 7-10 | 50 |
| 28-114013-12 | 7-11 | -290 | 28-114022-1 | 7-12 | 60 |
| 28-114013-13 | 7-11 | -300 | 28-114023-11 | 7-10 | 20 |
| 28-114013-17 | 7-11 | -280 | 28-114023-11 | 7-12 | 10 |
| 28-114013-3 | 7-10 | 180 | 28-114024-1 | 7-10 | 30 |
| 28-114013-3 | 7-11 | 270 | 28-114024-1 | 7-12 | - |
| 28-114014-1 | 7-11 | - | 28-114024-11 | 7-12 | 20 |
| 28-114014-3 | 7-11 | - | 28-114024-12 | 7-12 | -30 |
| 28-114014-5 | 7-10 | - | 28-114025-1 | 7-11 | -120 |
| 28-114014-5 | 7-11 | - | 28-114026-3 | 7-10 | 40 |
| 28-114014-5 | 7-12 | - | 28-114026-3 | 7-12 | 90 |
| 28-114014-7 | 7-11 | - | 28-11403-1 | 7-8 | 160 |
| 28-114014-9 | 7-10 | - | 28-11404-1 | 9-2 | 11 |
| 28-114014-9 | 7-11 | - | 28-11404-13 | 9-3 | 290 |
| 28-114015-1 | 7-10 | 120 | 28-11404-13 | 9-4 | 230 |
| 28-114015-1 | 7-11 | 10 | 28-11405-1 | 7-8 | -270 |
| 28-114015-2 | 7-10 | 170 | 28-11405-2 | 7-8 | 280 |
| 28-114015-2 | 7-11 | 30 | 28-11407-1 | 7-1 | 340 |
| 28-114016-1 | 7-11 | 310 | 28-11407-5 | 7-4 | 170 |
| 28-114016-3 | 7-11 | -320 | 28-11408-10 | 7-1 | 400 |
| 28-114016-7 | 3-5A | 160 | 28-11408-2 | 7-1 | 360 |
| 28-114016-7 | 7-10 | 250 | 28-11409-1 | 7-8 | 310 |
| 28-114016-7 | 7-11 | 310 | 28-11412-3 | 7-1 | 170 |

UNCONTROLLED COPY WHEN DOWNLOADED OR PRINTED

ENSTROM F-28/280 SERIES ILLUSTRATED PARTS CATALOG

PART NUMBER INDEX SECTIONS 3 THROUGH 7 AND 9 THROUGH 12 FIGURES 8-1 THROUGH 8-11

| Part Number | Figure | Item | Part Number | Figure | Item |
|-------------|--------|-------|--------------|--------|------|
| 28-11412-4 | 7-1 | -175 | 28-11435-1 | 7-1 | 180 |
| 28-11413-10 | 7-8 | -90A | 28-11435-1 | 7-4 | 390 |
| 28-11413-11 | 7-8 | 100 | 28-11436 | 7-1 | 110 |
| 28-11413-12 | 7-8 | -100A | 28-11437-1 | 7-1 | 380 |
| 28-11413-13 | 7-8 | -100B | 28-11438-1 | 7-1 | 390 |
| 28-11413-3 | 7-8 | -70 | 28-11440-1 | 7-1 | 490 |
| 28-11413-4 | 7-8 | 80 | 28-11442-1 | 7-8 | 200 |
| 28-11413-5 | 7-10 | 310 | 28-114501-1 | 7-11 | -70 |
| 28-11413-6 | 7-10 | -320 | 28-114509 | 7-11 | -80 |
| 28-11413-9 | 7-8 | 90 | 28-11452 | 10-1 | 22 |
| 28-11414-1 | 7-1 | - | 28-11460-1 | 7-10 | 330 |
| 28-11414-2 | 7-1 | - | 28-11460-3 | 7-9 | 80 |
| 28-11414-3 | 7-1 | -460 | 28-11461-1 | 9-5 | 100 |
| 28-11414-4 | 7-1 | 450 | 28-11462-11 | 9-5 | 95 |
| 28-11414-5 | 7-1 | -480 | 28-11464-1 | 9-5 | 75 |
| 28-11414-6 | 7-1 | 470 | 28-11466-1 | 9-5 | 70 |
| 28-11417-1 | 7-1 | 120 | 28-11468-2 | 9-5 | 35 |
| 28-11418-1 | 7-1 | - | 28-11484-11 | 7-4 | 580 |
| 28-11418-2 | 7-1 | - | 28-11484-13 | 7-4 | 380 |
| 28-11420-1 | 7-8 | 60 | 28-11500-1 | 3-17 | - |
| 28-11425-10 | 7-1 | 770 | 28-11500-5 | 3-17 | 50 |
| 28-11425-2 | 7-1 | - | 28-11501-1 | 3-16 | - |
| 28-11425-2 | 7-2 | - | 28-11501-10 | 3-16 | 20 |
| 28-11425-3 | 7-1 | 720 | 28-11501-12 | 3-16 | 10 |
| 28-11425-3 | 7-2 | 10 | 28-11501-15 | 3-16 | 10 |
| 28-11425-4 | 7-1 | 710 | 28-11501-17 | 3-16 | 10 |
| 28-11425-4 | 7-2 | -20 | 28-11501-3 | 3-16 | - |
| 28-11425-5 | 7-1 | 760 | 28-11501-3 | 3-17 | 10 |
| 28-11425-5 | 7-2 | -70 | 28-11501-4 | 3-16 | 40 |
| 28-11425-6 | 7-1 | 750 | 28-11501-4 | 3-17 | 170 |
| 28-11425-6 | 7-2 | 60 | 28-11501-901 | 3-16 | 50 |
| 28-11425-7 | 7-1 | 740 | 28-11502-5 | 3-16 | 60 |
| 28-11425-8 | 7-1 | 730 | 28-11504-1 | 9-2 | 43 |
| 28-11425-9 | 7-1 | 780 | 28-11600-13 | 9-2 | 1 |
| 28-11427-1 | 7-1 | 220 | 28-11600-17 | 9-2 | 2 |
| 28-11428-1 | 7-1 | 310 | 28-11600-19 | 9-2 | 28 |
| 28-11430-1 | 9-1 | 11 | 28-11600-20 | 9-1 | 26 |
| 28-11431-1 | 9-1 | 13 | 28-11600-21 | 9-1 | 27 |

UNCONTROLLED COPY WHEN DOWNLOADED OR PRINTED

ENSTROM F-28/280 SERIES ILLUSTRATED PARTS CATALOG

PART NUMBER INDEX SECTIONS 3 THROUGH 7 AND 9 THROUGH 12 FIGURES 8-1 THROUGH 8-11

| Part Number | Figure | Item | Part Number | Figure | Item |
|--------------|--------|------|-------------|--------|------|
| 28-116002-13 | 6-11 | 140 | 28-11622-1 | 9-4 | 20 |
| 28-116002-15 | 6-11 | 140 | 28-11622-13 | 9-3 | 21 |
| 28-11600-3 | 9-1 | 17 | 28-11622-15 | 9-4 | 20A |
| 28-11600-4 | 9-1 | 18 | 28-11622-17 | 9-3 | 21A |
| 28-116004-3 | 9-1 | 20 | 28-11622-21 | 9-4 | 20A |
| 28-11600-5 | 9-1 | 16 | 28-11623-1 | 9-4 | – |
| 28-116005-1 | 9-1 | 21 | 28-11623-2 | 9-4 | – |
| 28-11600-6 | 9-2 | 2A | 28-11624 | 9-4 | – |
| 28-116006-1 | 9-1 | 22 | 28-11625-11 | 9-4 | 160 |
| 28-11600-7 | 9-2 | 1A | 28-11625-13 | 9-3 | 420 |
| 28-116007-1 | 9-1 | 23 | 28-11626 | 9-3 | – |
| 28-11600-8 | 9-1 | 19 | 28-11700 | 7-1 | – |
| 28-116008-1 | 9-1 | 24 | 28-11701-1 | 7-1 | 830 |
| 28-11600-9 | 9-2 | 28A | 28-11702-1 | 7-1 | 840 |
| 28-116009-1 | 9-1 | 25 | 28-11702-2 | 7-1 | –845 |
| 28-11603-1 | 9-2 | 3 | 28-11703-1 | 7-1 | 850 |
| 28-11607-11 | 7-2 | –90 | 28-11703-2 | 7-1 | –855 |
| 28-11607-12 | 7-2 | 80 | 28-11708-1 | 7-1 | – |
| 28-11608-11 | 9-3 | 30 | 28-11708-1 | 7-3 | 30 |
| 28-11608-11 | 9-4 | 30 | 28-11708-2 | 7-1 | – |
| 28-11608-13 | 9-3 | 30 | 28-11708-2 | 7-3 | –40 |
| 28-11608-13 | 9-4 | 30 | 28-11709-1 | 7-1 | – |
| 28-11610-3 | 9-3 | – | 28-11709-2 | 7-1 | – |
| 28-11610-5 | 9-3 | – | 28-11709-3 | 7-3 | 140 |
| 28-11611-1 | 9-3 | 440 | 28-11709-4 | 7-3 | –150 |
| 28-11611-2 | 9-3 | 430 | 28-11710-1 | 7-1 | 690 |
| 28-11612-11 | 9-3 | – | 28-11710-1 | 7-3 | 110 |
| 28-11613-11 | 9-3 | 460 | 28-11710-11 | 7-1 | 690 |
| 28-11613-12 | 9-3 | 450 | 28-11710-11 | 7-3 | 110 |
| 28-11614-11 | 9-3 | 480 | 28-11710-12 | 7-1 | –695 |
| 28-11614-12 | 9-3 | 470 | 28-11710-12 | 7-3 | –120 |
| 28-11615-13 | 9-3 | 490 | 28-11710-2 | 7-1 | –695 |
| 28-11615-15 | 9-3 | 490 | 28-11710-2 | 7-3 | –120 |
| 28-11618-11 | 9-3 | 510 | 28-11711-11 | 7-1 | – |
| 28-11618-12 | 9-3 | 500 | 28-11711-11 | 7-3 | 10 |
| 28-11620-1 | 9-4 | 130 | 28-11711-12 | 7-1 | – |
| 28-11621-11 | 9-4 | 170 | 28-11711-12 | 7-3 | –20 |
| 28-11621-13 | 9-4 | 180 | 28-11711-17 | 7-1 | – |

UNCONTROLLED COPY WHEN DOWNLOADED OR PRINTED

ENSTROM F-28/280 SERIES ILLUSTRATED PARTS CATALOG

PART NUMBER INDEX SECTIONS 3 THROUGH 7 AND 9 THROUGH 12 FIGURES 8-1 THROUGH 8-11

| Part Number | Figure | Item | Part Number | Figure | Item |
|---------------|--------|------|--------------|--------|------|
| 28-11711-17 | 7-3 | 10 | 28-12112-5 | 3-9 | 10 |
| 28-11711-18 | 7-1 | - | 28-12116-11 | 3-9 | 50 |
| 28-11711-18 | 7-3 | -20 | 28-12118-2 | 3-9 | 10 |
| 28-11712-11 | 7-1 | - | 28-12122-1 | 3-9 | 20 |
| 28-11712-11 | 7-3 | 160 | 28-12125-1 | 3-9 | 30 |
| 28-11712-15 | 7-3 | 160 | 28-12127-11 | 3-9 | 80 |
| 28-11713-11 | 7-4 | 90 | 28-12133-11 | 3-23 | 630 |
| 28-11713-12 | 7-4 | -100 | 28-12134-13 | 3-8 | 20 |
| 28-11713-15 | 7-4 | 120 | 28-12134-15 | 3-8 | 20 |
| 28-11714-3 | 7-3 | - | 28-12134-991 | 3-8 | - |
| 28-11714-4 | 7-3 | - | 28-12140-1 | 3-5 | 20 |
| 28-11715-11 | 7-4 | 20 | 28-12141-11 | 3-30 | 20A |
| 28-11715-11 | 7-5 | - | 28-12142-1 | 3-22 | 60 |
| 28-121000-19 | 3-3 | 330 | 28-12145-1 | 3-5 | 10 |
| 28-121000-19 | 3-5 | 100 | 28-12146-1 | 3-22 | 450 |
| 28-121000-901 | 3-7 | - | 28-12146-1 | 3-23 | 450 |
| 28-12100-10 | 3-22 | 320 | 28-12149-1 | 3-20 | 40 |
| 28-121001-1 | 3-9 | 30 | 28-12149-1 | 3-20A | 40 |
| 28-12100-12 | 3-22 | 450 | 28-12149-1 | 3-20B | 40 |
| 28-12100-13 | 11-10 | 60 | 28-12150-1 | 3-7 | 350 |
| 28-121005-19 | 3-8 | 30 | 28-12151-1 | 3-7 | 300 |
| 28-12100-6 | 11-10 | 110 | 28-12155-1 | 3-8 | 60 |
| 28-12100-7 | 11-10 | 10 | 28-12155-15 | 3-8 | 65 |
| 28-121007-1 | 3-4 | 210 | 28-12158-11 | 3-7 | 370 |
| 28-12100-8 | 3-22 | 60 | 28-12160-11 | 3-7 | 340 |
| 28-121008-1 | 3-4 | 230 | 28-12162-1 | 3-3 | 250 |
| 28-121008-3 | 3-4 | 230 | 28-123005-5 | 3-4 | 70 |
| 28-12100-9 | 11-10 | 20 | 28-123007-1 | 3-3 | 70 |
| 28-12100-903 | 3-6 | 40 | 28-123007-11 | 3-3 | 70 |
| 28-12100-904 | 3-6 | 30 | 28-123009-11 | 3-3 | 80 |
| 28-121009-3 | 3-8 | 90 | 28-123009-13 | 3-3 | 90 |
| 28-121011-1 | 3-8 | 130 | 28-123009-15 | 3-3 | 90 |
| 28-12101-11 | 3-22 | 190 | 28-123009-17 | 3-3 | 80 |
| 28-121011-3 | 3-8 | 10 | 28-12301-1 | 3-1 | 20 |
| 28-121012-11 | 3-8 | 40 | 28-123011-1 | 3-4 | 160 |
| 28-121013-1 | 3-7 | 20 | 28-123012-1 | 3-4 | 130 |
| 28-121014-1 | 3-7 | 30 | 28-123013-1 | 3-4 | 110 |
| 28-12112-4 | 3-9 | 10 | 28-123014-1 | 3-4 | 20 |

UNCONTROLLED COPY WHEN DOWNLOADED OR PRINTED

ENSTROM F-28/280 SERIES ILLUSTRATED PARTS CATALOG

PART NUMBER INDEX SECTIONS 3 THROUGH 7 AND 9 THROUGH 12 FIGURES 8-1 THROUGH 8-11

| Part Number | Figure | Item | Part Number | Figure | Item |
|--------------|--------|------|--------------|--------|------|
| 28-123015-1 | 3-4 | 10 | 28-12400-12 | 3-24 | 260 |
| 28-123016-1 | 3-4 | 200 | 28-12400-12 | 11-13 | 160 |
| 28-123017-1 | 3-7 | 100 | 28-12400-16 | 3-24 | 50 |
| 28-123018-1 | 3-23 | 210 | 28-124002-3 | 3-23 | 61 |
| 28-123019-1 | 3-2 | 280 | 28-12400-23 | 3-22 | 40 |
| 28-123019-1 | 3-3 | 40 | 28-12400-23 | 3-23 | 40 |
| 28-12302-1 | 3-1 | 10 | 28-124003-1 | 3-4 | 180 |
| 28-123022-11 | 3-3 | 10 | 28-124003-13 | 3-23 | 430 |
| 28-123024-1 | 3-4 | 150 | 28-124003-19 | 3-23 | – |
| 28-12305 | 10-1 | 13 | 28-124003-5 | 3-8 | 70 |
| 28-12305 | 10-1 | 2 | 28-124005-1 | 3-23 | 484 |
| 28-12305 | 10-2 | 14 | 28-124006-11 | 3-23 | 150 |
| 28-12305 | 10-2 | 2 | 28-12400-910 | 3-23 | 330 |
| 28-12305-1 | 3-18 | 40 | 28-12400-919 | 3-24 | 90 |
| 28-12305-1 | 7-9 | 240 | 28-12401-1 | 3-24 | 10 |
| 28-12313-1 | 3-1 | 150 | 28-12401-2 | 3-24 | 20 |
| 28-12329-1 | 3-1 | 120 | 28-12408-1 | 3-25 | 40 |
| 28-12329-1 | 3-2 | 280 | 28-12409-1 | 3-25 | 30 |
| 28-12335-1 | 3-2 | 40 | 28-12410-1 | 3-25 | 100 |
| 28-12341-1 | 3-2 | 90 | 28-12411-3 | 3-25 | 80 |
| 28-12344-11 | 3-2 | – | 28-12415-9 | 3-2 | 130 |
| 28-12345-1 | 3-2 | – | 28-12416-3 | 3-24 | 480 |
| 28-12350-1 | 3-2 | 110 | 28-12416-3 | 11-21 | 220 |
| 28-12350-2 | 3-2 | 110 | 28-12416-4 | 3-24 | 470 |
| 28-12350-3 | 3-2 | 110 | 28-12417-1 | 3-26 | 160 |
| 28-12350-5 | 3-2 | 110 | 28-12417-11 | 3-26 | 160 |
| 28-12353-1 | 3-2 | 70 | 28-12418-1 | 3-24 | 500 |
| 28-12354-1 | 3-2 | 20 | 28-12419-1 | 3-24 | 520 |
| 28-12354-2 | 3-2 | 20 | 28-12420-11 | 3-24 | 580 |
| 28-12357-1 | 3-1 | 100 | 28-12420-11 | 11-21 | 230 |
| 28-12357-1 | 3-2 | 50 | 28-12420-13 | 3-24 | 570 |
| 28-12358-1 | 3-2 | 200 | 28-12420-13 | 11-21 | 240 |
| 28-12359-11 | 3-3 | – | 28-12420-15 | 3-24 | 560 |
| 28-12359-13 | 3-3 | – | 28-12420-15 | 11-21 | 250 |
| 28-12360-1 | 3-3 | 190 | 28-12421-1 | 3-24 | – |
| 28-12361-1 | 3-2 | 10 | 28-12422-1 | 3-24 | 30 |
| 28-12362-1 | 3-2 | – | 28-12424-1 | 3-24 | 610 |
| 28-12362-1 | 3-2 | 100 | 28-12424-1 | 11-21 | 260 |

UNCONTROLLED COPY WHEN DOWNLOADED OR PRINTED

ENSTROM F-28/280 SERIES ILLUSTRATED PARTS CATALOG

PART NUMBER INDEX SECTIONS 3 THROUGH 7 AND 9 THROUGH 12 FIGURES 8-1 THROUGH 8-11

| Part Number | Figure | Item | Part Number | Figure | Item |
|-------------|--------|------|--------------|--------|------|
| 28-12425-1 | 11-21 | 270 | 28-12462-3 | 3-23 | 590 |
| 28-12426-1 | 11-21 | 280 | 28-12463-1 | 3-23 | 480 |
| 28-12427-1 | 11-21 | 290 | 28-12464-3 | 3-23 | 60 |
| 28-12428-1 | 11-21 | 300 | 28-12465-1 | 3-24 | 620 |
| 28-12429-3 | 3-24 | 11 | 28-12470-11 | 11-8 | 335 |
| 28-12429-4 | 3-24 | 21 | 28-12470-11 | 11-9 | 265 |
| 28-12433-1 | 3-24 | 600 | 28-12470-11 | 11-15 | – |
| 28-12433-1 | 11-21 | 310 | 28-12470-11 | 11-15 | – |
| 28-12433-1 | 11-21 | 70 | 28-12470-11 | 11-7 | 710 |
| 28-12433-13 | 11-21 | 320 | 28-12471-11 | 11-8 | 445 |
| 28-12433-2 | 3-24 | 600 | 28-12471-11 | 11-9 | 350 |
| 28-12433-2 | 11-21 | 310 | 28-12471-11 | 11-15 | – |
| 28-12433-21 | 11-21 | 80 | 28-12471-11 | 11-7 | 940 |
| 28-12436-1 | 3-24 | 400 | 28-12472-11 | 11-8 | 345 |
| 28-12436-1 | 3-24 | 410 | 28-12472-11 | 11-9 | 275 |
| 28-12437-1 | 3-24 | 420 | 28-12472-11 | 11-15 | – |
| 28-12437-3 | 3-24 | 420 | 28-12472-11 | 11-7 | 700 |
| 28-12438-1 | 3-24 | 210 | 28-12473-11 | 11-8 | 435 |
| 28-12438-3 | 3-24 | 210 | 28-12473-11 | 11-9 | 345 |
| 28-12439-1 | 3-24 | 330 | 28-12473-11 | 11-15 | – |
| 28-12440-1 | 3-24 | 110 | 28-12473-11 | 11-15 | – |
| 28-12441-1 | 3-24 | 390 | 28-12473-11 | 11-7 | 920 |
| 28-12441-3 | 3-24 | 390 | 28-12474-11 | 11-8 | 450 |
| 28-12450-11 | 3-24 | 590 | 28-12474-11 | 11-9 | 360 |
| 28-12450-11 | 11-21 | 330 | 28-12474-11 | 11-15 | – |
| 28-12450-13 | 3-24 | 590 | 28-12474-11 | 11-7 | 960 |
| 28-12450-13 | 11-21 | 340 | 28-12475-11 | 11-8 | 440 |
| 28-12451-1 | 3-24 | 370 | 28-12475-11 | 11-9 | 355 |
| 28-12452-1 | 3-24 | 290 | 28-12475-11 | 11-15 | – |
| 28-12453-1 | 3-24 | 280 | 28-12475-11 | 11-7 | 930 |
| 28-12456-1 | 3-24 | 400 | 28-12478-11 | 3-24 | 630 |
| 28-12457-1 | 3-24 | 410 | 28-12479-11 | 11-21 | 90 |
| 28-12458-1 | 3-24 | 330 | 28-12480-1 | 3-23 | 540 |
| 28-12459-1 | 3-24 | 370 | 28-125000-11 | 3-28 | – |
| 28-12460-1 | 3-24 | 340 | 28-12500-1 | 3-27 | – |
| 28-12461-1 | 3-23 | 340 | 28-125007 | 10-1 | 1 |
| 28-12461-3 | 3-23 | 600 | 28-125007 | 10-2 | 1 |
| 28-12462-1 | 3-23 | 230 | 28-125008-1 | 3-8 | 160 |

UNCONTROLLED COPY WHEN DOWNLOADED OR PRINTED

ENSTROM F-28/280 SERIES ILLUSTRATED PARTS CATALOG

PART NUMBER INDEX SECTIONS 3 THROUGH 7 AND 9 THROUGH 12 FIGURES 8-1 THROUGH 8-11

| Part Number | Figure | Item | Part Number | Figure | Item |
|--------------|--------|------|--------------|--------|------|
| 28-125011-1 | 3-29 | 10 | 28-12600-4 | 3-18 | 80 |
| 28-125011-31 | 3-29 | 40 | 28-12600-4 | 3-19 | 160 |
| 28-125011-33 | 3-29 | 50 | 28-126004-1 | 3-19 | 10 |
| 28-125011-49 | 3-29 | 50 | 28-126004-11 | 3-19 | – |
| 28-125011-5 | 3-29 | 30 | 28-126005-1 | 3-19 | 50 |
| 28-125016-11 | 3-28 | – | 28-126006-1 | 3-19 | 20 |
| 28-125017-1 | 3-28 | 180 | 28-126007-17 | 3-20 | 240 |
| 28-125082-1 | 3-29 | 20 | 28-126007-3 | 3-20 | 240 |
| 28-125082-3 | 3-29 | 20 | 28-126007-3 | 3-20A | 240 |
| 28-125082-3 | 3-8 | – | 28-126007-3 | 3-20B | 240 |
| 28-12551-13 | 3-28 | 270A | 28-126007-5 | 3-20 | 220 |
| 28-12551-15 | 3-28 | 270 | 28-126007-5 | 3-20A | 220 |
| 28-12551-17 | 3-28 | 270 | 28-126007-5 | 3-20B | 220 |
| 28-12551-19 | 3-28 | 270 | 28-126007-7 | 3-20 | 220 |
| 28-12551-21 | 3-28 | 270 | 28-126008-1 | 3-20 | 330 |
| 28-12551-21 | 3-28 | 270 | 28-126008-1 | 3-20A | 330 |
| 28-12552-3 | 3-28 | 190 | 28-126008-1 | 3-20B | 330 |
| 28-12552-5 | 3-28 | 190 | 28-126008-3 | 3-20 | 330 |
| 28-12554-101 | 3-28 | 231B | 28-126008-3 | 3-20A | 330 |
| 28-12554-103 | 3-28 | 231A | 28-126008-3 | 3-20B | 330 |
| 28-12554-7 | 3-28 | 231D | 28-12601-1 | 3-21 | 10 |
| 28-12554-9 | 3-28 | 231C | 28-12603-1 | 3-21 | – |
| 28-12555-1 | 3-28 | 240A | 28-12603-3 | 3-21 | – |
| 28-12555-7 | 3-28 | 240 | 28-12603-4 | 3-21 | – |
| 28-12555-7 | 3-28 | 240 | 28-12605-1 | 3-21 | – |
| 28-12555-7 | 3-28 | 240 | 28-12607-101 | 3-20 | 230 |
| 28-12555-7 | 3-28 | 240 | 28-12607-13 | 3-20 | 250 |
| 28-12560-1 | 3-28 | 260 | 28-12607-6 | 3-20 | 250 |
| 28-12560-1 | 3-28 | 260 | 28-12607-6 | 3-20A | 250 |
| 28-12560-1 | 3-28 | 260 | 28-12607-6 | 3-20B | 250 |
| 28-12560-1 | 3-28 | 260 | 28-12607-8 | 3-20 | 230 |
| 28-12570-3 | 3-28 | 370 | 28-12607-8 | 3-20A | 230 |
| 28-12574-11 | 3-28 | 210 | 28-12607-8 | 3-20B | 230 |
| 28-12575-1 | 3-3 | 160 | 28-12608-1 | 3-18 | 100 |
| 28-12575-1 | 3-3 | 340 | 28-12608-3 | 3-18 | – |
| 28-12576-1 | 3-3 | 280 | 28-12608-4 | 3-18 | – |
| 28-12577-1 | 3-28 | 130 | 28-12608-4 | 3-20 | – |
| 28-12577-1 | 3-3 | – | 28-12608-4 | 3-20A | – |

UNCONTROLLED COPY WHEN DOWNLOADED OR PRINTED

ENSTROM F-28/280 SERIES ILLUSTRATED PARTS CATALOG

PART NUMBER INDEX SECTIONS 3 THROUGH 7 AND 9 THROUGH 12 FIGURES 8-1 THROUGH 8-11

| Part Number | Figure | Item | Part Number | Figure | Item |
|-------------|--------|------|-------------|--------|------|
| 28-12608-4 | 3-20B | – | 28-12616-1 | 3-20A | 280 |
| 28-12609-1 | 3-18 | 90 | 28-12616-1 | 3-20B | 280 |
| 28-12609-3 | 3-18 | 90 | 28-12617-1 | 3-20 | 320 |
| 28-12609-3 | 3-20 | 310 | 28-12617-1 | 3-20A | 320 |
| 28-12609-3 | 3-20A | 310 | 28-12617-1 | 3-20B | 320 |
| 28-12609-3 | 3-20B | 310 | 28-12618-1 | 3-6 | 220 |
| 28-12610-12 | 3-20 | 170 | 28-12618-1 | 3-7 | 190 |
| 28-12610-12 | 3-20A | 170 | 28-12618-13 | 3-7 | 200 |
| 28-12610-12 | 3-20B | 170 | 28-12618-5 | 3-6 | 220 |
| 28-12610-13 | 3-20 | 180 | 28-12618-5 | 3-7 | 190 |
| 28-12610-13 | 3-20A | 180 | 28-12619-1 | 3-20 | 480 |
| 28-12610-13 | 3-20B | 180 | 28-12619-1 | 3-20A | 480 |
| 28-12610-3 | 3-20 | 10 | 28-12619-1 | 3-20B | 480 |
| 28-12610-3A | 3-20 | – | 28-12619-4 | 3-20 | – |
| 28-12610-3A | 3-20A | – | 28-12619-4 | 3-20A | – |
| 28-12611-1 | 3-18 | 20 | 28-12619-4 | 3-20B | – |
| 28-12611-4 | 3-18 | 60 | 28-12619-5 | 3-20 | – |
| 28-12611-5 | 3-18 | 30 | 28-12619-5 | 3-20A | – |
| 28-12611-5 | 3-19 | – | 28-12619-5 | 3-20B | – |
| 28-12611-5 | 3-20 | 150 | 28-12620-1 | 3-20 | 190 |
| 28-12611-5 | 3-20A | 150 | 28-12620-1 | 3-20A | 190 |
| 28-12611-5 | 3-20B | 150 | 28-12620-1 | 3-20B | 190 |
| 28-12611-8 | 3-18 | 50 | 28-12621-1 | 3-18 | – |
| 28-12612-1 | 3-18 | 70 | 28-12621-1 | 3-20 | – |
| 28-12613-1 | 3-18 | 10 | 28-12621-1 | 3-20A | – |
| 28-12613-4 | 3-20 | 270 | 28-12621-1 | 3-20B | – |
| 28-12613-4 | 3-20A | 270 | 28-12623-1 | 3-6 | 180 |
| 28-12613-4 | 3-20B | 270 | 28-12624-1 | 3-6 | 210 |
| 28-12613-5 | 3-20 | 260 | 28-12624-1 | 3-7 | 200 |
| 28-12613-5 | 3-20A | 260 | 28-12625-1 | 3-6 | 190 |
| 28-12613-5 | 3-20B | 260 | 28-12626-1 | 3-6 | 200 |
| 28-12614-1 | 3-20 | 290 | 28-12626-1 | 3-7 | 270 |
| 28-12614-1 | 3-20A | 290 | 28-12626-13 | 3-6 | 200 |
| 28-12614-1 | 3-20B | 290 | 28-12626-13 | 3-7 | 270 |
| 28-12615-1 | 3-20 | 300 | 28-12628-11 | 3-20 | 290 |
| 28-12615-1 | 3-20A | 300 | 28-12629-11 | 3-20 | 280 |
| 28-12615-1 | 3-20B | 300 | 28-12642-1 | 3-21 | – |
| 28-12616-1 | 3-20 | 280 | 28-12644-1 | 3-21 | – |

UNCONTROLLED COPY WHEN DOWNLOADED OR PRINTED

ENSTROM F-28/280 SERIES ILLUSTRATED PARTS CATALOG

PART NUMBER INDEX SECTIONS 3 THROUGH 7 AND 9 THROUGH 12 FIGURES 8-1 THROUGH 8-11

| Part Number | Figure | Item | Part Number | Figure | Item |
|-------------|--------|------|-------------|--------|------|
| 28-12645-1 | 3-20B | 200 | 28-12655-5 | 3-20 | 50 |
| 28-12646-11 | 3-20A | – | 28-12655-5 | 3-20A | 50 |
| 28-12646-11 | 3-20B | – | 28-12656-1 | 3-20B | 30 |
| 28-12646-13 | 3-20 | – | 28-12656-3 | 3-20 | 30 |
| 28-12646-13 | 3-20A | – | 28-12656-3 | 3-20A | 30 |
| 28-12646-13 | 3-20B | – | 28-12658-11 | 3-20B | – |
| 28-12646-15 | 3-20 | – | 28-12659-1 | 3-20 | 130 |
| 28-12646-15 | 3-20A | – | 28-12659-13 | 3-20B | – |
| 28-12646-15 | 3-20B | – | 28-12659-15 | 3-20 | 130 |
| 28-12646-17 | 3-20 | – | 28-12659-15 | 3-20A | 130 |
| 28-12646-17 | 3-20A | – | 28-12659-16 | 3-20A | 140 |
| 28-12646-17 | 3-20B | – | 28-12659-17 | 3-20 | 140 |
| 28-12646-21 | 3-20 | – | 28-12659-17 | 3-20A | 140 |
| 28-12647-1 | 3-20A | 200 | 28-12662-1 | 3-20 | 60 |
| 28-12647-1 | 3-20B | 200 | 28-12662-1 | 3-20A | 60 |
| 28-12647-3 | 3-20 | 200 | 28-12662-11 | 3-20B | 60 |
| 28-12648-1 | 3-19 | 70 | 28-12662-13 | 3-20A | 60 |
| 28-12649-1 | 3-19 | 60 | 28-12662-13 | 3-20B | 60 |
| 28-12650-1 | 3-20 | – | 28-12663-11 | 3-20B | – |
| 28-12650-1 | 3-20B | – | 28-12664-11 | 3-7 | 240 |
| 28-12650-11 | 3-20B | – | 28-12666-1 | 3-20B | – |
| 28-12650-17 | 3-20B | – | 28-12666-1 | 3-20B | 110 |
| 28-12651-11 | 3-20B | – | 28-12666-3 | 3-20 | 110 |
| 28-12651-13 | 3-20 | – | 28-12666-3 | 3-20A | 110 |
| 28-12651-13 | 3-20A | – | 28-12666-3 | 3-20B | 110 |
| 28-12651-13 | 3-20B | – | 28-12667-11 | 3-20 | – |
| 28-12652-13 | 3-20 | – | 28-12667-11 | 3-20B | – |
| 28-12652-13 | 3-20A | – | 28-12667-13 | 3-20B | – |
| 28-12652-5 | 3-20 | – | 28-12668-11 | 3-20 | – |
| 28-12652-5 | 3-20 | – | 28-12668-11 | 3-20A | – |
| 28-12653-13 | 3-20 | – | 28-12668-11 | 3-20B | – |
| 28-12653-13 | 3-20A | – | 28-12668-13 | 3-20B | – |
| 28-12653-5 | 3-20 | – | 28-12669-11 | 3-20B | – |
| 28-12654-11 | 3-7 | 220 | 28-12674-1 | 3-20B | 70 |
| 28-12654-13 | 3-7 | 230 | 28-12675-1 | 3-20B | 10 |
| 28-12655-1 | 3-20B | 50 | 28-12675-3 | 3-20A | 10 |
| 28-12655-3 | 3-20A | 50 | 28-12676-1 | 3-20B | – |
| 28-12655-3 | 3-20B | 50 | 28-12676-3 | 3-20B | – |

UNCONTROLLED COPY WHEN DOWNLOADED OR PRINTED

ENSTROM F-28/280 SERIES ILLUSTRATED PARTS CATALOG

PART NUMBER INDEX SECTIONS 3 THROUGH 7 AND 9 THROUGH 12 FIGURES 8-1 THROUGH 8-11

| Part Number | Figure | Item | Part Number | Figure | Item |
|--------------|--------|------|--------------|--------|------|
| 28-12676-5 | 3-20B | – | 28-12687-1 | 3-20A | 120 |
| 28-12676-7 | 3-20A | – | 28-12687-1 | 3-20B | 120 |
| 28-12676-9 | 3-20A | – | 28-12688-1 | 3-20A | 70 |
| 28-12676-901 | 3-20 | – | 28-12688-13 | 3-20A | – |
| 28-12677-1 | 3-20B | 160 | 28-12688-15 | 3-20A | – |
| 28-12677-3 | 3-20B | 160 | 28-12688-17 | 3-20A | – |
| 28-12678-11 | 3-20B | – | 28-12688-19 | 3-20A | – |
| 28-12679-1 | 3-20B | 130 | 28-12688-25 | 3-20A | – |
| 28-12679-3 | 3-20B | 130 | 28-12688-29 | 3-20 | – |
| 28-12681-1 | 3-20B | 80 | 28-12688-29 | 3-20A | – |
| 28-12681-3 | 3-20B | 80 | 28-12688-3 | 3-20A | 70 |
| 28-12681-5 | 3-20 | 80 | 28-12688-5 | 3-20 | 70 |
| 28-12681-5 | 3-20A | 80 | 28-12688-5 | 3-20A | 70 |
| 28-12682-11 | 3-20 | 90 | 28-12689-11 | 3-20 | 160 |
| 28-12682-11 | 3-20A | 90 | 28-12689-11 | 3-20A | 160 |
| 28-12682-11 | 3-20B | 90 | 28-127000-1 | 10-1 | – |
| 28-12682-13 | 3-20B | – | 28-127000-11 | 10-1 | 3 |
| 28-12683-1 | 3-20 | 100 | 28-127000-11 | 10-2 | 3 |
| 28-12683-1 | 3-20A | 100 | 28-127001 | 10-2 | – |
| 28-12683-1 | 3-20B | 100 | 28-127002-1 | 10-4 | – |
| 28-12683-11 | 3-20 | – | 28-127002-3 | 10-3 | – |
| 28-12683-11 | 3-20A | – | 28-127002-5 | 10-4 | – |
| 28-12683-11 | 3-20B | – | 28-12701-3 | 10-1 | 15 |
| 28-12683-13 | 3-20 | – | 28-12701-4 | 10-1 | 12 |
| 28-12683-13 | 3-20A | – | 28-12701-4 | 10-2 | 13 |
| 28-12683-13 | 3-20B | – | 28-12701-5 | 10-1 | 5 |
| 28-12683-13 | 3-20B | – | 28-12701-5 | 10-2 | 5 |
| 28-12683-15 | 3-20B | – | 28-12705 | 10-1 | 16 |
| 28-12683-3 | 3-20B | – | 28-12705 | 10-3 | 19 |
| 28-12683-3 | 3-20B | 100 | 28-12706 | 10-1 | 14 |
| 28-12684-11 | 3-20B | – | 28-12706 | 10-2 | 15 |
| 28-12684-11 | 3-20B | – | 28-12706-1 | 7-9 | 230 |
| 28-12685-11 | 3-20B | – | 28-12706-11 | 3-5A | 10 |
| 28-12685-13 | 3-20B | – | 28-12706-11 | 7-9 | 230 |
| 28-12686-11 | 3-20 | 490 | 28-12714 | 10-1 | 9 |
| 28-12686-11 | 3-20A | 490 | 28-12714 | 10-2 | 10 |
| 28-12686-11 | 3-20B | 490 | 28-12718 | 10-1 | 10 |
| 28-12687-1 | 3-20 | 120 | 28-12718 | 10-2 | 11 |

UNCONTROLLED COPY WHEN DOWNLOADED OR PRINTED

ENSTROM F-28/280 SERIES ILLUSTRATED PARTS CATALOG

PART NUMBER INDEX SECTIONS 3 THROUGH 7 AND 9 THROUGH 12 FIGURES 8-1 THROUGH 8-11

| Part Number | Figure | Item | Part Number | Figure | Item |
|--------------|--------|------|---------------|--------|------|
| 28-12719 | 8-5 | – | 28-13117-9 | 5-7 | 40 |
| 28-12719-11 | 8-5 | 590 | 28-13120-1 | 5-6 | 150 |
| 28-12719-12 | 8-5 | –600 | 28-13122-1 | 5-7 | 10 |
| 28-127502-1 | 10-4 | 340 | 28-13122-991 | 5-7 | – |
| 28-127508-1 | 10-3 | 10 | 28-13129-13 | 5-4 | 280 |
| 28-127508-1 | 10-4 | 280 | 28-13134-5 | 5-6 | 180 |
| 28-127509-1 | 10-3 | 5 | 28-13137-1 | 5-6 | 60 |
| 28-127509-1 | 10-4 | 120 | 28-13137-11 | 5-6 | 60 |
| 28-127510-1 | 10-3 | 3 | 28-13142-1 | 5-4 | 180 |
| 28-127510-1 | 10-4 | 100 | 28-13145-1 | 12-1 | –190 |
| 28-127520-11 | 10-3 | 2 | 28-13145-1 | 4-4 | 300 |
| 28-127520-11 | 10-4 | 20 | 28-13148-1 | 5-6 | 70 |
| 28-127520-13 | 10-3 | 1 | 28-13149-1 | 5-6 | 80 |
| 28-127520-13 | 10-4 | 10 | 28-13170-103 | 5-6 | 10 |
| 28-127520-15 | 10-4 | 30 | 28-13170-3-R | 5-6 | 10 |
| 28-127520-17 | 10-2 | 25 | 28-13170-7-R | 5-6 | 10 |
| 28-127520-17 | 10-4 | 360 | 28-13170-900 | 5-6 | 10 |
| 28-127520-19 | 10-2 | 26 | 28-13170-903 | 5-4 | 240 |
| 28-127520-19 | 10-4 | 350 | 28-13170-905 | 5-4 | – |
| 28-127520-25 | 10-3 | 16 | 28-13170-909 | 5-6 | 10 |
| 28-127520-29 | 10-4 | 10 | 28-13170-9-R | 5-6 | 10 |
| 28-127521-11 | 10-3 | 11 | 28-13177-1 | 5-6 | 100 |
| 28-127521-11 | 10-4 | 290 | 28-13180-11 | 5-4 | 270 |
| 28-127523-1 | 10-4 | 120 | 28-13181-11 | 5-4 | 300 |
| 28-127524-1 | 10-4 | 280 | 28-13182-1 | 5-4 | 330 |
| 28-12816-1 | 11-21 | 350 | 28-13182-11 | 5-4 | 330 |
| 28-12830-11 | 11-21 | 100 | 28-13184-11 | 5-4 | 350 |
| 28-12830-11 | 7-5 | 170 | 28-132001-11 | 5-4 | 100 |
| 28-13005-1 | 5-6 | 260 | 28-132001-13 | 5-4 | 100 |
| 28-13101-1-R | 5-6 | 10 | 28-132005-1 | 5-3 | – |
| 28-13101-5-R | 5-6 | 10 | 28-132005-11 | 5-3 | 490 |
| 28-13107-13 | 5-6 | 210 | 28-132005-3 | 5-3 | – |
| 28-13107-15 | 5-6 | 210 | 28-132006-11 | 5-3 | 530 |
| 28-13117-4 | 5-7 | 20 | 28-132008-11 | 5-3 | 380 |
| 28-13117-5 | 5-7 | 30 | 28-132009-11 | 5-3 | 540 |
| 28-13117-6 | 5-7 | 45 | 28-132010-13 | 5-4 | 100 |
| 28-13117-7 | 5-7 | 50 | 28-132020-901 | 5-1 | – |
| 28-13117-8 | 5-7 | 35 | 28-132020-903 | 5-3 | – |

UNCONTROLLED COPY WHEN DOWNLOADED OR PRINTED

ENSTROM F-28/280 SERIES ILLUSTRATED PARTS CATALOG

PART NUMBER INDEX SECTIONS 3 THROUGH 7 AND 9 THROUGH 12 FIGURES 8-1 THROUGH 8-11

| Part Number | Figure | Item | Part Number | Figure | Item |
|---------------|--------|------|-------------|--------|------|
| 28-132020-904 | 5-3 | – | 28-13263-1 | 5-2 | 150 |
| 28-132022-1 | 5-1 | – | 28-13264-1 | 5-1 | 80 |
| 28-132022-11 | 5-1 | 330 | 28-13265-1 | 5-1 | 100 |
| 28-132022-2 | 6-11 | 200 | 28-13266-1 | 5-1 | 160 |
| 28-132022-3 | 6-11 | 200 | 28-13266-15 | 5-1 | 200 |
| 28-13210-13 | 5-4 | 110 | 28-13267-1 | 5-1 | 190 |
| 28-13211-1 | 5-4 | 70 | 28-13267-11 | 5-1 | 210 |
| 28-13212-1 | 5-4 | 30 | 28-13268-1 | 5-1 | 30 |
| 28-13215-1 | 5-4 | 250 | 28-13269-1 | 5-1 | 140 |
| 28-13215-3 | 5-4 | 250 | 28-13271-1 | 5-4 | 190 |
| 28-13227-5 | 5-4 | 10 | 28-13273-1 | 5-4 | 100 |
| 28-13229-1 | 5-3 | 10 | 28-13273-13 | 5-4 | 100 |
| 28-13230-1 | 5-3 | 20 | 28-13274-1 | 5-1 | 180 |
| 28-13231-3 | 5-4 | 170 | 28-13276-1 | 5-5 | 320 |
| 28-13231-4 | 5-4 | 170 | 28-13277-1 | 5-1 | 40 |
| 28-13231-5 | 5-4 | 170 | 28-13278-1 | 5-3 | 310 |
| 28-13231-6 | 5-4 | 170 | 28-13279-1 | 5-2 | 120 |
| 28-13231-7 | 3-21 | 60 | 28-13280-3 | 5-1 | 230 |
| 28-13231-7 | 5-4 | 170 | 28-13280-4 | 5-1 | 240 |
| 28-13232-1 | 5-6 | 40 | 28-13281-3 | 5-4 | 420 |
| 28-13233-1 | 5-3 | 70 | 28-13281-4 | 5-4 | 420 |
| 28-13234-1 | 5-3 | 80 | 28-13281-5 | 5-4 | 420 |
| 28-13238-1 | 5-3 | 110 | 28-13282-3 | 5-3 | 290 |
| 28-13238-1 | 5-6 | 30 | 28-13282-4 | 5-3 | 290 |
| 28-13245-901 | 5-3 | 230 | 28-13282-5 | 5-3 | 290 |
| 28-13246-1 | 5-3 | 260 | 28-13283-1 | 5-1 | 90 |
| 28-13248-1 | 5-3 | 250 | 28-13284-1 | 5-1 | 430 |
| 28-13250-1 | 5-2 | 20 | 28-13285-4 | 5-5 | 340 |
| 28-13250-11 | 5-2 | 20 | 28-13285-5 | 5-1 | 250 |
| 28-13251-1 | 5-2 | 30 | 28-13285-6 | 5-1 | 50 |
| 28-13252-1 | 5-2 | 80 | 28-13285-7 | 5-1 | 170 |
| 28-13253-1 | 5-2 | 10 | 28-13292-1 | 5-3 | 50 |
| 28-13254-1 | 5-2 | 40 | 28-13292-4 | 5-3 | 60 |
| 28-13255-1 | 5-2 | 130 | 28-13296-1 | 5-3 | 280 |
| 28-13256-1 | 5-2 | 70 | 28-13297-1 | 5-3 | 240 |
| 28-13259-4 | 5-1 | 60 | 28-13299-1 | 5-3 | 420 |
| 28-13259-4 | 5-2 | – | 28-13299-3 | 5-3 | 420 |
| 28-13260-1 | 5-1 | 380 | 28-13300-13 | 5-4 | 100 |

UNCONTROLLED COPY WHEN DOWNLOADED OR PRINTED

ENSTROM F-28/280 SERIES ILLUSTRATED PARTS CATALOG

PART NUMBER INDEX SECTIONS 3 THROUGH 7 AND 9 THROUGH 12 FIGURES 8-1 THROUGH 8-11

| Part Number | Figure | Item | Part Number | Figure | Item |
|--------------|--------|------|--------------|--------|-------|
| 28-13302-1 | 5-4 | 430 | 28-13605-5 | 7-5 | -440A |
| 28-13302-11 | 5-4 | 430 | 28-13605-6 | 12-3 | 60 |
| 28-13302-13 | 5-4 | 430 | 28-13605-6 | 7-5 | -440B |
| 28-13303-11 | 5-4 | 300 | 28-13605-7 | 12-3 | 60 |
| 28-13305-1 | 5-4 | 40 | 28-13605-7 | 7-5 | -440C |
| 28-13306-1 | 5-4 | 150 | 28-13605-8 | 12-3 | 60 |
| 28-13313-1 | 5-3 | 140 | 28-13605-8 | 7-5 | -440D |
| 28-13316-1 | 5-3 | 170 | 28-13606-1 | 12-3 | 40 |
| 28-13316-913 | 5-3 | 180 | 28-13607-1 | 12-2 | 40 |
| 28-13318-1 | 5-3 | 340 | 28-13611-1 | 12-3 | 10 |
| 28-13318-7 | 5-3 | 340 | 28-13613-1 | 12-2 | 20 |
| 28-13319-1 | 5-4 | 60 | 28-13613-901 | 12-2 | -20A |
| 28-13321-11 | 5-4 | 430 | 28-13614-1 | 12-2 | 30 |
| 28-13321-13 | 5-4 | 430 | 28-13614-1 | 5-6 | 248 |
| 28-13321-15 | 5-4 | 430 | 28-13614-1DR | 12-2 | -30A |
| 28-13321-17 | 5-4 | 430 | 28-13617-902 | 12-3 | -5 |
| 28-13322-11 | 5-4 | 300 | 28-13617-903 | 12-2 | -5 |
| 28-13323-11 | 5-4 | 280 | 28-13617-905 | 12-2 | -5A |
| 28-13401-4 | 5-4 | 200 | 28-13618-1 | 12-2 | 10 |
| 28-135003-1 | 12-1 | 30 | 28-13619-1 | 12-2 | 140 |
| 28-135003-11 | 12-1 | 30 | 28-13621-11 | 12-2 | 150 |
| 28-13511-11 | 12-1 | 180 | 28-13621-13 | 12-2 | 150 |
| 28-13515-3 | 12-1 | 50 | 28-13623-11 | 12-2 | 50A |
| 28-13525-5 | 12-1 | -10 | 28-13623-13 | 12-2 | 50B |
| 28-13525-7 | 12-1 | 10A | 28-13623-17 | 12-2 | 50C |
| 28-13525-7 | 12-5 | 510 | 28-13623-25 | 12-2 | 60A |
| 28-13531-11 | 12-1 | 140 | 28-13623-27 | 12-2 | 60B |
| 28-13532-11 | 12-1 | 160 | 28-13623-29 | 12-2 | 60C |
| 28-13600-3 | 12-2 | 60A | 28-13623-31 | 12-2 | 60D |
| 28-13600-4 | 12-2 | 60B | 28-14004-1 | 4-1 | 380 |
| 28-13600-5 | 12-2 | 60C | 28-14006-11 | 4-1 | 280 |
| 28-13600-6 | 12-2 | 50A | 28-14006-13 | 4-1 | 280 |
| 28-13600-7 | 12-2 | 50B | 28-14006-15 | 4-1 | 280 |
| 28-13600-8 | 12-2 | 50C | 28-14006-17 | 4-1 | 280 |
| 28-13605-3 | 12-3 | 60 | 28-14006-19 | 4-1 | 280 |
| 28-13605-4 | 12-3 | 60 | 28-14006-3 | 4-1 | 280 |
| 28-13605-4 | 7-5 | 440 | 28-14006-5 | 4-1 | 280 |
| 28-13605-5 | 12-3 | 60 | 28-14006-7 | 4-1 | 280 |

UNCONTROLLED COPY WHEN DOWNLOADED OR PRINTED

ENSTROM F-28/280 SERIES ILLUSTRATED PARTS CATALOG

PART NUMBER INDEX SECTIONS 3 THROUGH 7 AND 9 THROUGH 12 FIGURES 8-1 THROUGH 8-11

| Part Number | Figure | Item | Part Number | Figure | Item |
|--------------|--------|------|--------------|--------|------|
| 28-14006-9 | 4-1 | 280 | 28-14228-15 | 4-1 | 170 |
| 28-14007-1 | 4-2 | 250 | 28-14231-1 | 4-2 | 50 |
| 28-14007-3 | 4-2 | 250 | 28-14233-2 | 4-3 | 60 |
| 28-14008-1 | 4-1 | 370 | 28-14233-3 | 4-3 | 60 |
| 28-14009-1 | 4-1 | 350 | 28-14234-9 | 4-2 | – |
| 28-14009-2 | 4-1 | 350 | 28-14234-901 | 4-2 | – |
| 28-14009-3 | 4-1 | 350 | 28-14234-909 | 4-2 | – |
| 28-14009-5 | 4-1 | 350 | 28-14235-1 | 4-1 | 360 |
| 28-14019-10 | 4-3 | 40 | 28-14236-1 | 4-1 | 220 |
| 28-14019-2 | 4-3 | 40 | 28-14236-1 | 4-1 | 270 |
| 28-14019-3 | 4-3 | 40 | 28-14236-1 | 4-3 | 30 |
| 28-14019-5 | 4-3 | 40 | 28-14239-1 | 4-2 | 210 |
| 28-14019-6 | 4-3 | 40 | 28-14239-11 | 4-2 | – |
| 28-14100-9 | 4-2 | 240 | 28-14239-3 | 4-2 | – |
| 28-14109-1 | 4-2 | 380 | 28-14239-5 | 4-2 | 210 |
| 28-14110-1 | 4-2 | – | 28-14240-1 | 4-2 | 20 |
| 28-14110-2 | 4-2 | – | 28-14244-1 | 4-1 | 80 |
| 28-14110-3 | 4-2 | – | 28-14248-1 | 5-3 | 510 |
| 28-14117-1 | 4-1 | 200 | 28-14250-1 | 4-1 | – |
| 28-14117-11 | 4-1 | 200 | 28-14250-1 | 8-4 | 40 |
| 28-14119-11 | 4-2 | 242 | 28-14250-3 | 8-4 | 50 |
| 28-14120-11 | 12-9 | 90 | 28-14251-1 | 4-1 | 230 |
| 28-14120-11 | 12-10 | 110 | 28-14251-2 | 4-1 | 240 |
| 28-14121-11 | 12-10 | 120 | 28-14256-1 | 4-1 | 290 |
| 28-14141-913 | 4-2 | 370 | 28-14257-1 | 4-1 | 300 |
| 28-14202-1 | 4-1 | 40 | 28-14259-1 | 4-3 | 150 |
| 28-14207-1 | 8-4 | 30 | 28-14259-3 | 8-4 | 160 |
| 28-14207-101 | 8-4 | 30 | 28-14259-3 | 8-5 | 480 |
| 28-14207-7 | 8-4 | 30 | 28-14261-1 | 4-2 | 100 |
| 28-14219-3 | 4-1 | – | 28-14262-1 | 8-4 | 80 |
| 28-14219-7 | 4-1 | – | 28-14265-3 | 4-4 | 100 |
| 28-14219-901 | 4-1 | – | 28-14268-1 | 4-4 | – |
| 28-14223-1 | 4-1 | 100 | 28-14270-1 | 4-2 | – |
| 28-14224-1 | 4-1 | 70 | 28-14270-1 | 11-21 | 360 |
| 28-14224-3 | 4-1 | 130 | 28-14276-1 | 4-4 | 20 |
| 28-14227-1 | 4-1 | 180 | 28-14277-1 | 4-4 | 30 |
| 28-14227-11 | 4-3 | 10 | 28-14278-1 | 4-2 | 330 |
| 28-14228-1 | 4-1 | 170 | 28-14278-1 | 8-4 | 10 |

UNCONTROLLED COPY WHEN DOWNLOADED OR PRINTED

ENSTROM F-28/280 SERIES ILLUSTRATED PARTS CATALOG

PART NUMBER INDEX SECTIONS 3 THROUGH 7 AND 9 THROUGH 12 FIGURES 8-1 THROUGH 8-11

| Part Number | Figure | Item | Part Number | Figure | Item |
|-------------|--------|------|--------------|--------|------|
| 28-14279-1 | 4-2 | 150 | 28-14372-1 | 4-4 | 70 |
| 28-14279-3 | 4-2 | 150 | 28-14372-3 | 4-4 | 70 |
| 28-14280-1 | 4-1 | 90 | 28-14374-13 | 11-21 | 370 |
| 28-14280-3 | 4-1 | 90 | 28-14374-15 | 4-4 | 290 |
| 28-14280-5 | 4-1 | 90 | 28-14374-15 | 11-21 | 370 |
| 28-14281-1R | 4-1 | 120 | 28-14375-101 | 4-4 | - |
| 28-14281-3 | 4-1 | 120 | 28-14375-105 | 4-4 | - |
| 28-14281-5 | 4-1 | 120 | 28-14375-7 | 4-4 | - |
| 28-14282-11 | 4-2 | 10 | 28-14375-905 | 4-4 | - |
| 28-14282-13 | 4-2 | 10 | 28-14375-906 | 4-4 | - |
| 28-14283-1 | 4-2 | 280 | 28-14381-901 | 4-2.1 | 100 |
| 28-14290-3 | 4-1 | 110 | 28-14381-902 | 4-2.1 | 60 |
| 28-14290-5 | 4-1 | 110 | 28-14381-903 | 4-2 | - |
| 28-14290-7 | 4-1 | 110 | 28-14382-19 | 4-2.1 | 160 |
| 28-14290-9 | 4-1 | 110 | 28-14382-21 | 4-2.1 | 90 |
| 28-14293-11 | 4-2 | 180 | 28-14383-13 | 4-2.1 | -70 |
| 28-14293-13 | 4-2 | 180 | 28-14384-13 | 4-2.1 | -120 |
| 28-14293-7 | 4-2 | 180 | 28-14385-15 | 4-2.1 | 10 |
| 28-14293-9 | 4-2 | 180 | 28-14386-5 | 4-2.1 | 40 |
| 28-14311-1 | 4-2 | 70 | 28-14389-11 | 4-2.1 | -110 |
| 28-14313-1 | 4-2 | 130 | 28-14389-13 | 4-2.1 | -80 |
| 28-14320-15 | 4-2 | 170 | 28-150000-10 | 12-10 | - |
| 28-14335-1 | 4-2 | 190 | 28-150000-7 | 12-10 | - |
| 28-14356-5 | 4-4 | 121 | 28-150001-5 | 12-13 | 200 |
| 28-14357-3 | 4-4 | 10 | 28-150001-5 | 12-10 | 10 |
| 28-14357-5 | 4-4 | 10 | 28-150001-5 | 12-11 | 180 |
| 28-14358-3 | 4-4 | 50 | 28-150001-5 | 12-12 | 190 |
| 28-14358-4 | 4-4 | 120 | 28-150014-14 | 12-10 | 90 |
| 28-14359-15 | 4-4 | 20 | 28-150015-11 | 12-10 | 60 |
| 28-14359-17 | 4-4 | 30 | 28-150016-11 | 12-10 | 50 |
| 28-14366-1 | 4-4 | 210 | 28-15002-1 | 12-9 | 30 |
| 28-14367-7 | 4-4 | 220 | 28-150026-11 | 12-10 | 80 |
| 28-14368-1 | 6-11 | 280 | 28-150033-1 | 12-10 | - |
| 28-14368-2 | 4-4 | 230 | 28-150044-5 | 12-13 | 210 |
| 28-14369-1 | 4-4 | 270 | 28-150044-5 | 12-11 | 190 |
| 28-14370-15 | 4-4 | 60 | 28-150046-1 | 12-10 | 70 |
| 28-14370-17 | 4-4 | 60 | 28-150048-1 | 12-10 | 260 |
| 28-14371-1 | 4-4 | 80 | 28-150050-2 | 12-11 | - |

UNCONTROLLED COPY WHEN DOWNLOADED OR PRINTED

ENSTROM F-28/280 SERIES ILLUSTRATED PARTS CATALOG

PART NUMBER INDEX SECTIONS 3 THROUGH 7 AND 9 THROUGH 12 FIGURES 8-1 THROUGH 8-11

| Part Number | Figure | Item | Part Number | Figure | Item |
|--------------|--------|-------|---------------|--------|------|
| 28-15005-1 | 12-9 | 170 | 28-150074-11 | 12-12 | 10 |
| 28-150051-1 | 12-11 | 70 | 28-150074-13 | 12-13 | 10 |
| 28-150053-1 | 12-11 | 120 | 28-150074-13 | 12-12 | 10 |
| 28-150055 | 12-10 | – | 28-150075-11 | 12-12 | –30A |
| 28-150055-1 | 12-13 | 150 | 28-150076-1 | 12-13 | 90 |
| 28-150055-1 | 12-11 | 290 | 28-150076-13 | 12-13 | 70 |
| 28-150055-1 | 12-12 | 140 | 28-150076-15 | 12-13 | 40 |
| 28-150055-13 | 12-13 | 150 | 28-150076-17 | 12-13 | 30 |
| 28-150055-15 | 12-13 | –150A | 28-150076-19 | 12-13 | 60 |
| 28-150060-11 | 12-13 | 120 | 28-150076-21 | 12-13 | 90 |
| 28-150060-11 | 12-10 | –70A | 28-150077-1 | 12-13 | – |
| 28-150060-11 | 12-11 | 160 | 28-150077-11 | 12-13 | – |
| 28-150060-11 | 12-12 | 110 | 28-150078-10 | 12-13 | 80 |
| 28-150062-11 | 12-11 | 90 | 28-150078-12 | 12-13 | 80 |
| 28-150062-13 | 12-11 | 90 | 28-150078-13 | 12-13 | 80 |
| 28-150063-11 | 12-13 | 130 | 28-150078-15 | 12-13 | 80 |
| 28-150063-11 | 12-10 | – | 28-150079-1 | 12-13 | – |
| 28-150063-11 | 12-11 | 280 | 28-150079-5 | 12-13 | – |
| 28-150063-11 | 12-12 | 120 | 28-150079-5 | 12-5 | 460 |
| 28-150063-13 | 12-13 | –130A | 28-150079-901 | 12-13 | – |
| 28-150064-11 | 12-11 | 60 | 28-15013-1 | 12-9 | 240 |
| 28-150066-11 | 12-11 | 140 | 28-15017-1 | 12-9 | 110 |
| 28-150067-11 | 12-12 | 20 | 28-15018-3 | 12-9 | – |
| 28-150067-13 | 12-12 | –20A | 28-15027-10 | 12-9 | 180 |
| 28-150067-15 | 12-13 | 20 | 28-15028-1 | 12-5 | – |
| 28-150070-11 | 12-12 | 40 | 28-15028-1 | 12-11 | 30 |
| 28-150070-13 | 12-12 | –40A | 28-15028-1 | 12-12 | 280 |
| 28-150072-1 | 12-12 | 60 | 28-15028-1 | 12-13 | 310 |
| 28-150072-10 | 12-12 | 60 | 28-15030-1 | 12-13 | 310 |
| 28-150072-11 | 12-12 | 90 | 28-15030-1 | 12-5 | 470 |
| 28-150072-2 | 12-12 | 60 | 28-15030-1 | 12-11 | – |
| 28-150072-20 | 12-12 | 60 | 28-15030-1 | 12-12 | – |
| 28-150072-21 | 12-12 | 70 | 28-15033-1 | 12-11 | 240 |
| 28-150072-3 | 12-12 | 60 | 28-15033-11 | 12-11 | 240 |
| 28-150072-5 | 12-12 | 60 | 28-15033-13 | 12-12 | 180 |
| 28-150072-7 | 12-12 | 60 | 28-15033-5 | 12-13 | 190 |
| 28-150073-1 | 12-12 | – | 28-15202-13 | 12-9 | 40 |
| 28-150073-5 | 12-12 | – | 28-15203-1 | 12-10 | 140 |

UNCONTROLLED COPY WHEN DOWNLOADED OR PRINTED

ENSTROM F-28/280 SERIES ILLUSTRATED PARTS CATALOG

PART NUMBER INDEX SECTIONS 3 THROUGH 7 AND 9 THROUGH 12 FIGURES 8-1 THROUGH 8-11

| Part Number | Figure | Item | Part Number | Figure | Item |
|--------------|--------|-------|--------------|--------|------|
| 28-15203-3 | 12-9 | 60 | 28-16070-5 | 9-3 | 520 |
| 28-15203-4 | 12-9 | 60 | 28-16070-7 | 9-1 | 2B |
| 28-15203-5 | 12-9 | 60 | 28-16070-7 | 9-4 | 120 |
| 28-15203-6 | 12-9 | 60 | 28-16070-9 | 9-1 | 2C |
| 28-15206-1 | 12-9 | 50 | 28-16070-9 | 9-3 | 520 |
| 28-15206-1 | 12-10 | 150 | 28-16074-11 | 3-11 | 280 |
| 28-16006-1 | 3-10 | 320 | 28-16080-901 | 3-11 | – |
| 28-16011-1 | 3-11 | 500 | 28-16087-11 | 3-11 | 290 |
| 28-16021-11 | 3-11 | 370 | 28-16087-13 | 3-11 | 390 |
| 28-16021-11 | 3-11 | 370 | 28-16088-13 | 3-11 | 50 |
| 28-16022-11 | 3-11 | 490 | 28-16096-1 | 3-11 | 10 |
| 28-16022-11 | 3-13 | 10 | 28-16096-3 | 3-11 | 10 |
| 28-16024 | 8-3 | – | 28-16098-11 | 3-11 | 170 |
| 28-16024 | 8-5 | – | 28-16099-1 | 9-1 | 2D |
| 28-16024 | 8-6 | – | 28-16101-101 | 8-1 | – |
| 28-16024 | 8-6A | – | 28-16101-105 | 8-4 | – |
| 28-16024 | 8-8 | – | 28-16101-107 | 8-3A | – |
| 28-16024-911 | 8-5A | – | 28-16103-1 | 8-3A | 50 |
| 28-16024-912 | 8-5A | – | 28-16105-1 | 8-3A | 30 |
| 28-16026-1 | 8-5 | –180A | 28-16106-2 | 8-3A | 70 |
| 28-16026-3 | 8-5 | –180B | 28-16108-11 | 8-3A | 90 |
| 28-16026-5 | 8-5 | –180C | 28-16108-2 | 8-3A | 90 |
| 28-16026-7 | 8-5 | –180D | 28-16109-1 | 8-3A | 230 |
| 28-16026-9 | 8-5 | –180E | 28-16109-11 | 8-3A | 230 |
| 28-16030-1 | 6-14 | – | 28-16109-13 | 8-3A | 240 |
| 28-16030-3 | 6-14 | – | 28-16110-1 | 8-3A | 160 |
| 28-16043-13 | 8-3A | 280 | 28-16112-15 | 8-3A | 190 |
| 28-16043-15 | 8-3A | 300 | 28-16112-17 | 8-3A | 190 |
| 28-16043-19 | 8-3A | 140 | 28-16113-1 | 8-3A | 210 |
| 28-16056-1 | 8-5A | 50 | 28-16116-1 | 8-1 | 220 |
| 28-16057-1 | 8-5A | 110 | 28-16116-11 | 8-1 | 220 |
| 28-16069-3 | 9-4 | – | 28-16119-3 | 8-1 | 80 |
| 28-16069-5 | 9-3 | – | 28-16119-5 | 8-1 | 80 |
| 28-16070-101 | 9-1 | 2B | 28-16123-1 | 8-1 | 10 |
| 28-16070-101 | 9-4 | 120 | 28-16123-11 | 8-1 | 10 |
| 28-16070-103 | 9-4 | 120 | 28-16124-1 | 8-2 | 40 |
| 28-16070-105 | 9-4 | 125 | 28-16125-3 | 8-3A | 110 |
| 28-16070-5 | 9-1 | 2C | 28-16125-4 | 8-3A | 120 |

UNCONTROLLED COPY WHEN DOWNLOADED OR PRINTED

ENSTROM F-28/280 SERIES ILLUSTRATED PARTS CATALOG

PART NUMBER INDEX SECTIONS 3 THROUGH 7 AND 9 THROUGH 12 FIGURES 8-1 THROUGH 8-11

| Part Number | Figure | Item | Part Number | Figure | Item |
|--------------|--------|------|--------------|--------|-------|
| 28-16125-5 | 8-3A | 130 | 28-16183-1 | 8-5A | 10 |
| 28-16126-1 | 8-3A | 200 | 28-16183-901 | 8-5A | 10 |
| 28-16129-2 | 8-2 | 30 | 28-16190-1 | 8-5 | 50 |
| 28-16131-1 | 8-3A | 220 | 28-16191-1 | 8-5 | 60 |
| 28-16131-11 | 8-3A | 220 | 28-16192-1 | 8-5 | 100 |
| 28-16132-1 | 8-3A | - | 28-16197-1 | 8-3 | 160 |
| 28-16132-3 | 8-3A | 340 | 28-16197-1 | 8-5 | 10 |
| 28-16132-4 | 8-3A | 330 | 28-16198-1 | 8-3 | 130 |
| 28-16133-1 | 8-3A | 350 | 28-16198-1 | 8-5 | 40 |
| 28-16136-1 | 8-5 | - | 28-162004-11 | 8-11 | 260A |
| 28-16136-101 | 8-5 | - | 28-16201-1 | 8-3A | 470 |
| 28-16136-103 | 8-5 | - | 28-16201-1 | 8-9 | 330 |
| 28-16136-5 | 8-5 | - | 28-16201-1 | 8-10 | 330 |
| 28-16143-1 | 8-3A | 380 | 28-16202-1 | 8-5 | 540 |
| 28-16143-3 | 8-3A | 380 | 28-16203-1 | 8-11 | 170 |
| 28-16145-1 | 8-5 | 220 | 28-16203-1 | 8-3A | 480 |
| 28-16148-1 | 8-5A | 40 | 28-16203-1 | 8-4 | 60 |
| 28-16148-3 | 8-5A | 40 | 28-16203-1 | 8-8 | 80 |
| 28-16150-1 | 8-5A | 30 | 28-162040-11 | 8-7 | 40 |
| 28-16153-1 | 12-5 | - | 28-162041-1 | 8-7 | -10 |
| 28-16153-1 | 12-5 | - | 28-162041-2 | 8-7 | -10 |
| 28-16154-1 | 12-5 | 200 | 28-162042-11 | 8-7 | 30 |
| 28-16155-4 | 8-5 | 120 | 28-162043-1 | 8-7 | 10 |
| 28-16155-4 | 8-6A | 100 | 28-162043-1 | 8-9 | - |
| 28-16155-5 | 8-5 | 90 | 28-162043-3 | 8-9 | - |
| 28-16156-1 | 8-3 | 120 | 28-16205-1 | 8-5 | 290 |
| 28-16156-1 | 8-5 | 30 | 28-16205-5 | 8-5 | 290 |
| 28-16156-1 | 12-5 | - | 28-16206-11 | 8-4 | 20 |
| 28-16156-1 | 12-5 | - | 28-16209-1 | 8-5 | 490 |
| 28-16157-3 | 8-5 | 400 | 28-16209-11 | 8-5 | -490A |
| 28-16157-3 | 12-5 | 330 | 28-16210-3 | 8-5 | 530 |
| 28-16157-4 | 8-5 | 500 | 28-16210-3 | 7-5 | 930 |
| 28-16158-1 | 8-5 | 70 | 28-16211-1 | 8-5 | 390 |
| 28-16159-1 | 8-5 | 80 | 28-16211-1 | 8-8 | 130 |
| 28-16160-1 | 8-5 | 110 | 28-16211-1 | 7-5 | -940 |
| 28-16160-7 | 8-5 | 110 | 28-16215-1 | 3-10 | 360 |
| 28-16160-7 | 8-6A | 70 | 28-16215-1 | 11-21 | 380 |
| 28-16168-1 | 3-10 | 160 | 28-16217-11 | 8-5 | 360 |

UNCONTROLLED COPY WHEN DOWNLOADED OR PRINTED

ENSTROM F-28/280 SERIES ILLUSTRATED PARTS CATALOG

PART NUMBER INDEX SECTIONS 3 THROUGH 7 AND 9 THROUGH 12 FIGURES 8-1 THROUGH 8-11

| Part Number | Figure | Item | Part Number | Figure | Item |
|--------------|--------|-------|--------------|--------|------|
| 28-16217-13 | 8-5 | -360A | 28-16239-9 | 8-11 | 40 |
| 28-16217-15 | 8-5 | -360B | 28-16242-1 | 8-11 | -320 |
| 28-16217-17 | 8-5 | -360C | 28-16242-5 | 8-11 | -350 |
| 28-16217-19 | 8-5 | -360D | 28-16242-7 | 8-11 | -340 |
| 28-16217-21 | 8-5 | -360E | 28-16242-901 | 8-11 | -310 |
| 28-16217-23 | 8-5 | -360F | 28-16242-907 | 8-11 | -330 |
| 28-16218-1 | 8-5 | 20 | 28-16253-1 | 8-3A | 460 |
| 28-16219-1 | 8-3 | 140 | 28-16253-101 | 8-3A | 420 |
| 28-16220-1 | 8-5 | 300 | 28-16253-103 | 8-3A | 420 |
| 28-16220-5 | 8-5 | 300 | 28-16253-105 | 8-3A | 460 |
| 28-16222-1 | 8-11 | 260 | 28-16253-6 | 8-3A | 450 |
| 28-16223-19 | 8-1 | 210 | 28-16253-8 | 8-3A | 450 |
| 28-16224-5 | 8-1 | 230 | 28-16258-1 | 8-11 | 200 |
| 28-16225-19 | 8-1 | 240 | 28-16259-1 | 8-3A | 20 |
| 28-16226-5 | 8-1 | 200 | 28-16260-1 | 8-3A | 10 |
| 28-16227-3 | 8-1 | 160 | 28-16263-5 | 8-1 | 170 |
| 28-16228-1 | 8-1 | 50 | 28-16264-1 | 8-3A | 40 |
| 28-16229-13 | 8-11 | 250 | 28-16283-2 | 8-6 | 80 |
| 28-16229-15 | 8-11 | 250 | 28-16283-2 | 8-6A | 20 |
| 28-16230-1 | 8-11 | 240 | 28-16283-4 | 8-5 | 340 |
| 28-16231-1 | 8-11 | 280 | 28-16283-4 | 8-6 | 20 |
| 28-16232-1 | 8-11 | 30 | 28-16283-4 | 8-7 | 20 |
| 28-16233-1 | 8-11 | 180 | 28-16284-1 | 8-5 | 330 |
| 28-16234-1 | 8-11 | 80 | 28-16284-1 | 8-6 | 30 |
| 28-16235-1 | 8-11 | 120 | 28-16284-1 | 8-6A | 90 |
| 28-16235-11 | 8-11 | 120 | 28-16290-2 | 8-5 | 320 |
| 28-16236-1 | 8-11 | 220 | 28-16290-2 | 8-6 | 70 |
| 28-16236-15 | 8-11 | 220 | 28-16290-2 | 8-6A | 10 |
| 28-16236-17 | 8-11 | 220 | 28-16291-1 | 8-6 | 90 |
| 28-16237-1 | 8-11 | 230 | 28-16291-1 | 8-6A | 30 |
| 28-16237-11 | 8-11 | 230 | 28-16292-11 | 8-6A | - |
| 28-16237-13 | 8-11 | 230 | 28-16293-2 | 8-6 | - |
| 28-16238-3 | 8-11 | 290 | 28-16293-2 | 8-6A | - |
| 28-16238-5 | 8-11 | 290 | 28-16294-1 | 8-6 | 10 |
| 28-16238-7 | 8-11 | 290 | 28-16294-1 | 8-6A | 80 |
| 28-16239-1 | 8-11 | 40 | 28-16294-13 | 8-6A | 80 |
| 28-16239-101 | 8-11 | 40 | 28-16295-1 | 8-6 | - |
| 28-16239-5 | 8-11 | 40 | 28-16296-11 | 11-21 | 390 |

UNCONTROLLED COPY WHEN DOWNLOADED OR PRINTED

ENSTROM F-28/280 SERIES ILLUSTRATED PARTS CATALOG

PART NUMBER INDEX SECTIONS 3 THROUGH 7 AND 9 THROUGH 12 FIGURES 8-1 THROUGH 8-11

| Part Number | Figure | Item | Part Number | Figure | Item |
|--------------|--------|------|-------------|--------|------|
| 28-16300 | 12-7 | -5 | 28-16322-1 | 12-5 | 50 |
| 28-16300 | 12-9 | - | 28-16322-7 | 12-5 | 50 |
| 28-16301-3 | 12-8 | 10A | 28-16322-9 | 12-5 | -50A |
| 28-16301-4 | 12-7 | 10 | 28-16324 | 12-7 | 110A |
| 28-16301-4 | 12-8 | 10B | 28-16325-2 | 12-7 | 120A |
| 28-16301-7 | 12-7 | 10A | 28-16331-1 | 12-7 | 10B |
| 28-16301-7 | 12-8 | 10C | 28-16331-1 | 12-8 | 20 |
| 28-16302-1 | 12-7 | 80 | 28-16331-1 | 12-5 | - |
| 28-16307-1 | 12-7 | 110 | 28-16334-1 | 12-5 | 40 |
| 28-16308-1 | 12-7 | 40 | 28-16334-3 | 12-5 | 70 |
| 28-16308-1 | 12-7 | 180 | 28-16334-5 | 12-5 | -40A |
| 28-16308-1 | 12-8 | 210 | 28-16334-7 | 12-5 | -40B |
| 28-16308-1 | 12-5 | 520 | 28-16334-9 | 12-5 | -40C |
| 28-16309-1 | 12-7 | 170 | 28-16336-11 | 8-3A | 440 |
| 28-16310-2 | 12-7 | 30 | 28-16336-11 | 8-4 | 60 |
| 28-16310-2 | 12-8 | 200 | 28-16338-1 | 12-5 | 10 |
| 28-16310-2 | 12-5 | 530 | 28-16338-2 | 12-5 | 20 |
| 28-16311-1 | 12-7 | 20 | 28-16338-3 | 12-5 | - |
| 28-16311-1 | 12-7 | 165 | 28-16338-5 | 12-5 | - |
| 28-16311-1 | 12-8 | -30 | 28-16338-5 | 12-5 | - |
| 28-16311-1 | 12-8 | -170 | 28-16338-7 | 12-5 | - |
| 28-16311-1 | 12-8 | -190 | 28-16339-1 | 12-5 | 30 |
| 28-16311-1 | 5-3 | 350 | 28-16339-3 | 12-5 | - |
| 28-16313-1 | 12-7 | 160 | 28-16339-4 | 12-5 | - |
| 28-16313-1 | 12-8 | 150 | 28-16339-5 | 12-5 | - |
| 28-16313-1 | 12-5 | 620 | 28-16339-6 | 12-5 | - |
| 28-16314-1 | 12-7 | 230 | 28-16339-7 | 12-5 | - |
| 28-16314-1 | 12-8 | 180 | 28-16340-1 | 12-5 | 430 |
| 28-16314-1 | 12-5 | 610 | 28-16341-1 | 12-5 | 100 |
| 28-16315-1R | 12-7 | 230A | 28-16342-1 | 12-5 | 370 |
| 28-16317-1R | 12-7 | 160A | 28-16345-1 | 12-6 | 130 |
| 28-16319-1 | 12-7 | 210 | 28-16345-1 | 12-5 | 650 |
| 28-16319-1 | 12-8 | -160 | 28-16348-1 | 9-5 | 20 |
| 28-16320-1 | 12-7 | 120 | 28-16348-1 | 12-5 | 410 |
| 28-16321-1 | 12-5 | 60 | 28-16349-1 | 12-5 | 270 |
| 28-16321-101 | 12-5 | -60A | 28-16351-1 | 12-5 | 450 |
| 28-16321-103 | 12-5 | -60B | 28-16352-1 | 12-5 | 660 |
| 28-16321-105 | 12-5 | -60C | 28-16353-3 | 12-6 | 50 |

UNCONTROLLED COPY WHEN DOWNLOADED OR PRINTED

ENSTROM F-28/280 SERIES ILLUSTRATED PARTS CATALOG

PART NUMBER INDEX SECTIONS 3 THROUGH 7 AND 9 THROUGH 12 FIGURES 8-1 THROUGH 8-11

| Part Number | Figure | Item | Part Number | Figure | Item |
|--------------|--------|------|--------------|--------|------|
| 28-16353-3 | 12-10 | 240 | 28-16401-5 | 3-10 | 220 |
| 28-16353-4 | 12-10 | 230 | 28-16403-1 | 3-10 | 290 |
| 28-16353-5 | 12-6 | 30 | 28-16404-1 | 3-10 | 300 |
| 28-16353-5 | 12-5 | 720 | 28-164043-11 | 3-10 | 340 |
| 28-16355-1 | 12-5 | 90 | 28-164043-11 | 3-14 | – |
| 28-16361-1 | 8-1 | 20 | 28-164043-11 | 3-15 | – |
| 28-16361-1 | 8-3 | 10 | 28-16405-1 | 3-10 | 70 |
| 28-16374-1 | 12-8 | 140 | 28-16407-1 | 3-10 | 200 |
| 28-16374-1 | 12-5 | 590 | 28-16409-13 | 3-11 | 60 |
| 28-16380 | 12-8 | –5A | 28-16409-15 | 3-11 | 60 |
| 28-16380 | 12-10 | – | 28-16421-1 | 3-11 | 40 |
| 28-16386-1 | 8-3A | 80 | 28-16447-1 | 3-10 | 20 |
| 28-16387-1 | 8-1 | 60 | 28-16449-1 | 3-10 | 350 |
| 28-16389-2 | 8-3A | 150 | 28-16449-1 | 11-21 | 400 |
| 28-16390-11 | 8-5A | –20 | 28-16473-1 | 3-11 | 220 |
| 28-16391-1 | 12-6 | 120B | 28-16473-1 | 3-11 | 440 |
| 28-16391-13 | 12-5 | – | 28-16476-2 | 3-11 | 150 |
| 28-16391-3 | 12-6 | 120A | 28-16476-3 | 3-11 | 250 |
| 28-16391-5 | 12-6 | 120 | 28-16477-1 | 3-11 | 240 |
| 28-16391-5 | 12-5 | 500 | 28-16477-2 | 3-11 | 300 |
| 28-16392-13 | 12-6 | 180 | 28-16478-3 | 3-11 | – |
| 28-16392-13 | 12-8 | 60 | 28-16478-5 | 3-11 | – |
| 28-16392-13 | 12-5 | – | 28-16479-13 | 3-11 | 110 |
| 28-16394-11 | 12-5 | – | 28-16481-5 | 3-11 | – |
| 28-16394-2 | 12-8 | 40 | 28-16482-13 | 3-11 | 210 |
| 28-16395-1 | 12-8 | 120 | 28-16484-11 | 3-11 | 120 |
| 28-16395-1 | 12-5 | 550 | 28-16490-101 | 3-15 | 70 |
| 28-16396-2 | 12-8 | 10 | 28-16493-11 | 3-13 | 10 |
| 28-16396-2 | 12-5 | 540 | 28-16493-13 | 3-13 | 10 |
| 28-16397-11 | 12-8 | 50 | 28-16497-1 | 3-13 | 20 |
| 28-16397-11 | 12-5 | – | 28-16498-101 | 3-11 | 450 |
| 28-16398 | 12-6 | –5 | 28-16498-101 | 3-13 | 80 |
| 28-16398 | 12-8 | –5 | 28-16498-7 | 3-13 | 80 |
| 28-16398-103 | 12-5 | – | 28-16498-9 | 3-11 | 430 |
| 28-16398-901 | 12-6 | 120C | 28-16498-9 | 3-11 | 450 |
| 28-16399-13 | 12-1 | 220 | 28-16499-9 | 3-12 | 100 |
| 28-164001-1 | 3-10 | 70 | 28-16499-9 | 3-12 | 100 |
| 28-16401-1 | 3-10 | 220 | 28-16504-1 | 5-5 | 130 |

UNCONTROLLED COPY WHEN DOWNLOADED OR PRINTED

ENSTROM F-28/280 SERIES ILLUSTRATED PARTS CATALOG

PART NUMBER INDEX SECTIONS 3 THROUGH 7 AND 9 THROUGH 12 FIGURES 8-1 THROUGH 8-11

| Part Number | Figure | Item | Part Number | Figure | Item |
|--------------|--------|------|--------------|--------|------|
| 28-16505-1 | 5-5 | 200 | 28-16600-111 | 8-8 | 20 |
| 28-16506-1 | 5-5 | 220 | 28-16600-113 | 8-8 | 90 |
| 28-16515-1 | 5-5 | 20 | 28-16600-113 | 8-10 | – |
| 28-16515-3 | 5-5 | 30 | 28-16600-115 | 8-8 | 10 |
| 28-16516-1 | 5-5 | 10 | 28-16600-115 | 8-9 | – |
| 28-16516-13 | 5-5 | 10 | 28-16600-117 | 8-8 | 100 |
| 28-16518-1 | 5-5 | 160 | 28-16600-117 | 8-10 | – |
| 28-16519-1 | 5-5 | 40 | 28-16600-119 | 8-8 | 20 |
| 28-16520-1 | 5-1 | 270 | 28-16600-119 | 8-9 | – |
| 28-16520-1 | 5-5 | 50 | 28-16600-7 | 8-8 | 100 |
| 28-16521-11 | 5-5 | 80 | 28-16600-8 | 8-8 | 20 |
| 28-16522-1 | 5-5 | 90 | 28-16600-9 | 8-8 | 100 |
| 28-16523-1 | 5-5 | – | 28-16601-1 | 8-9 | 420 |
| 28-16524-3 | 5-6 | – | 28-16601-1 | 8-10 | 420 |
| 28-16524-3 | 8-1 | 180 | 28-16603-1 | 8-10 | 440 |
| 28-16524-4 | 5-6 | – | 28-16603-15 | 8-10 | 430 |
| 28-16524-4 | 8-1 | 180 | 28-16604-1 | 8-9 | 410 |
| 28-16524-5 | 5-6 | – | 28-16604-1 | 8-10 | 410 |
| 28-16524-5 | 8-1 | 180 | 28-16607-1 | 8-9 | 270 |
| 28-16524-6 | 5-6 | – | 28-16607-1 | 8-10 | 270 |
| 28-16524-6 | 8-1 | 180 | 28-16608-1 | 8-9 | 300 |
| 28-16524-7 | 5-6 | – | 28-16608-1 | 8-10 | 300 |
| 28-16524-7 | 8-1 | 180 | 28-16609-1 | 8-9 | 200 |
| 28-16524-8 | 5-6 | – | 28-16609-1 | 8-10 | 200 |
| 28-16524-8 | 8-1 | 180 | 28-16610-1 | 8-9 | 180 |
| 28-16525-1 | 5-5 | 360 | 28-16610-1 | 8-10 | 180 |
| 28-16525-1 | 11-21 | 410 | 28-16611-1 | 8-9 | 360 |
| 28-16526-1 | 5-5 | 370 | 28-16611-1 | 8-10 | 360 |
| 28-16526-1 | 11-21 | 420 | 28-16611-13 | 8-9 | 360 |
| 28-16537-11 | 5-5 | 380 | 28-16611-13 | 8-10 | 360 |
| 28-16537-13 | 5-5 | 390 | 28-16611-15 | 8-9 | 360 |
| 28-16542-11 | 5-5 | 240 | 28-16611-15 | 8-10 | 360 |
| 28-16600-10 | 8-8 | 20 | 28-16612-5 | 8-9 | – |
| 28-16600-101 | 8-8 | 90 | 28-16612-5 | 8-10 | – |
| 28-16600-103 | 8-8 | 10 | 28-16613-1 | 8-9 | 350 |
| 28-16600-105 | 8-8 | 90 | 28-16613-1 | 8-10 | 350 |
| 28-16600-107 | 8-8 | 10 | 28-16613-3 | 8-9 | 350 |
| 28-16600-109 | 8-8 | 100 | 28-16613-3 | 8-10 | 350 |

UNCONTROLLED COPY WHEN DOWNLOADED OR PRINTED

ENSTROM F-28/280 SERIES ILLUSTRATED PARTS CATALOG

PART NUMBER INDEX SECTIONS 3 THROUGH 7 AND 9 THROUGH 12 FIGURES 8-1 THROUGH 8-11

| Part Number | Figure | Item | Part Number | Figure | Item |
|--------------|--------|-------|--------------|--------|------|
| 28-16614-1 | 8-9 | -10 | 28-16630-3 | 8-10 | 220 |
| 28-16614-1 | 8-10 | -10 | 28-16630-4 | 8-9 | 220 |
| 28-16614-3 | 8-9 | 10 | 28-16632-1 | 8-9 | 260 |
| 28-16614-3 | 8-10 | 10 | 28-16632-1 | 8-10 | 260 |
| 28-16614-5 | 8-9 | 10 | 28-16633-1 | 8-9 | 140 |
| 28-16614-5 | 8-10 | 10 | 28-16633-1 | 8-10 | 140 |
| 28-16616-1 | 8-10 | 320 | 28-16635-1 | 8-9 | 250 |
| 28-16616-5 | 8-9 | 320 | 28-16636-3 | 8-9 | - |
| 28-16616-7 | 8-9 | 320 | 28-16636-3 | 8-10 | - |
| 28-16616-9 | 8-10 | 320 | 28-16636-5 | 8-9 | - |
| 28-16617-1 | 8-10 | - | 28-16636-5 | 8-10 | - |
| 28-16617-2 | 8-9 | - | 28-16637-11 | 8-6A | - |
| 28-16618-101 | 8-10 | 310 | 28-16650-11 | 6-11 | 230 |
| 28-16618-103 | 8-7 | - | 28-17000-1 | 7-20 | - |
| 28-16618-103 | 8-9 | 310 | 28-17000-11 | 7-20 | 510 |
| 28-16618-105 | 8-10 | 310 | 28-17000-13 | 7-20 | 520 |
| 28-16618-6 | 8-9 | 310 | 28-17000-15 | 7-20 | 530 |
| 28-16618-7 | 8-10 | 310 | 28-17001-101 | 7-20 | 480 |
| 28-16618-9 | 8-9 | 310 | 28-17002-11 | 7-20 | 470 |
| 28-16619-1 | 8-9 | 160 | 28-17004-1 | 7-20 | 490 |
| 28-16619-1 | 8-10 | 160 | 28-17005-1 | 11-21 | 430 |
| 28-16620-1 | 8-10 | - | 28-17006-13 | 7-9 | 440 |
| 28-16620-2 | 8-9 | - | 28-17100-903 | 7-19 | - |
| 28-16621-1 | 8-9 | -110A | 28-17100-903 | 7-20 | - |
| 28-16621-1 | 8-10 | -110A | 28-17100-907 | 7-19 | - |
| 28-16623-1 | 8-10 | 250 | 28-17100-907 | 7-20 | - |
| 28-16624-1 | 8-9 | -40 | 28-17100-923 | 7-19 | - |
| 28-16624-1 | 8-10 | -40 | 28-17100-923 | 7-20 | - |
| 28-16624-11 | 8-9 | 40 | 28-17100-927 | 7-19 | - |
| 28-16624-11 | 8-10 | 40 | 28-17100-927 | 7-20 | - |
| 28-16624-3 | 8-9 | 40 | 28-17101-1 | 7-20 | 280 |
| 28-16624-3 | 8-10 | 40 | 28-17101-7 | 7-20 | 280 |
| 28-16625-1 | 8-8 | 50 | 28-17102-3 | 7-20 | 170 |
| 28-16626-1 | 8-9 | 390 | 28-17104-1 | 7-20 | 130 |
| 28-16628-1 | 8-9 | 340 | 28-17106-1 | 7-20 | - |
| 28-16628-1 | 8-10 | 340 | 28-17106-2 | 7-20 | - |
| 28-16630-1 | 8-10 | 220 | 28-17108-1 | 7-22 | 110 |
| 28-16630-2 | 8-9 | 220 | 28-17108-2 | 7-22 | -120 |

UNCONTROLLED COPY WHEN DOWNLOADED OR PRINTED

ENSTROM F-28/280 SERIES ILLUSTRATED PARTS CATALOG

PART NUMBER INDEX SECTIONS 3 THROUGH 7 AND 9 THROUGH 12 FIGURES 8-1 THROUGH 8-11

| Part Number | Figure | Item | Part Number | Figure | Item |
|-------------|--------|------|-------------|--------|------|
| 28-17111-1 | 7-20 | 90 | 28-17142-5 | 7-22 | - |
| 28-17113-13 | 7-22 | 240 | 28-17142-7 | 7-22 | - |
| 28-17119-11 | 7-22 | 170 | 28-17143-11 | 7-22 | 260 |
| 28-17119-12 | 7-22 | -180 | 28-17144-1 | 7-21 | 180 |
| 28-17119-13 | 7-22 | -190 | 28-17144-5 | 7-21 | 180 |
| 28-17119-14 | 7-22 | -200 | 28-17145-1 | 7-21 | 130 |
| 28-17119-15 | 7-22 | 170 | 28-17146-1 | 7-21 | 230 |
| 28-17120-11 | 7-22 | 100 | 28-17146-7 | 7-21 | 230 |
| 28-17121-1 | 7-20 | 320 | 28-17147-3 | 7-21 | 120 |
| 28-17122-1 | 7-19 | - | 28-17147-7 | 7-21 | 110 |
| 28-17122-1 | 7-20 | 200 | 28-17148-1 | 7-21 | - |
| 28-17122-3 | 7-20 | 220 | 28-17148-2 | 7-21 | - |
| 28-17122-5 | 7-20 | 210 | 28-17148-3 | 7-20 | 350 |
| 28-17123-1 | 7-20 | - | 28-17148-3 | 7-21 | - |
| 28-17123-1 | 7-21 | 50 | 28-17148-5 | 7-20 | 360 |
| 28-17124-1 | 7-20 | 50 | 28-17148-5 | 7-21 | - |
| 28-17129-1 | 7-20 | 230 | 28-17148-7 | 7-20 | -370 |
| 28-17132-1 | 7-19 | 10 | 28-17148-7 | 7-21 | - |
| 28-17132-1 | 7-20 | 10 | 28-17149-1 | 7-21 | 150 |
| 28-17132-2 | 7-20 | 20 | 28-17150-1 | 7-19 | 20 |
| 28-17132-3 | 7-20 | 30 | 28-17150-1 | 7-20 | 430 |
| 28-17132-4 | 7-20 | 40 | 28-17150-13 | 7-19 | 50 |
| 28-17135-11 | 7-20 | - | 28-17150-13 | 7-20 | 340 |
| 28-17135-11 | 7-21 | 10 | 28-17151-1 | 7-21 | 140 |
| 28-17138-1 | 7-22 | 230 | 28-17153-1 | 7-21 | -220 |
| 28-17139-1 | 7-22 | 130 | 28-17153-13 | 7-21 | 210 |
| 28-17139-2 | 7-22 | -140 | 28-17154-1 | 7-21 | -200 |
| 28-17139-3 | 7-22 | 150 | 28-17155-1 | 7-21 | 240 |
| 28-17139-4 | 7-22 | -160 | 28-17156-1 | 7-21 | 250 |
| 28-17140-1 | 7-21 | 70 | 28-17156-3 | 7-21 | 250 |
| 28-17141-1 | 7-22 | 10 | 28-17157-1 | 7-21 | 260 |
| 28-17141-2 | 7-22 | -20 | 28-17158-1 | 7-21 | 40 |
| 28-17141-3 | 7-22 | 30 | 28-17159-11 | 7-20 | - |
| 28-17141-4 | 7-22 | -40 | 28-17161-11 | 7-22 | 210 |
| 28-17141-5 | 7-22 | -50 | 28-17162-11 | 7-22 | 220 |
| 28-17141-6 | 7-22 | -60 | 28-17164-13 | 11-21 | 110 |
| 28-17142-1 | 7-22 | - | 28-17166-1 | 7-20 | 380 |
| 28-17142-3 | 7-22 | - | 28-17166-2 | 7-20 | -390 |

UNCONTROLLED COPY WHEN DOWNLOADED OR PRINTED

ENSTROM F-28/280 SERIES ILLUSTRATED PARTS CATALOG

PART NUMBER INDEX SECTIONS 3 THROUGH 7 AND 9 THROUGH 12 FIGURES 8-1 THROUGH 8-11

| Part Number | Figure | Item | Part Number | Figure | Item |
|--------------|--------|------|---------------|--------|-------|
| 28-17200-3 | 7-15 | - | 28-180023-1 | 11-21 | 1140 |
| 28-17200-3 | 7-17 | - | 28-180030-1 | 11-21 | 1150 |
| 28-17201-1 | 7-15 | - | 28-180045-11 | 11-21 | 1160 |
| 28-17201-3 | 7-17 | 290 | 28-180045-13 | 11-21 | 1160 |
| 28-17202-1 | 7-15 | 250 | 28-180046-11 | 11-21 | 1170 |
| 28-17205-1 | 7-15 | 290 | 28-180046-13 | 11-21 | 1170 |
| 28-17205-1 | 7-17 | 270 | 28-180047-11 | 11-21 | 1180 |
| 28-17206-11 | 7-17 | 330 | 28-180047-13 | 11-21 | 1180 |
| 28-17206-13 | 7-17 | - | 28-180048-11 | 11-21 | 1190 |
| 28-17206-17 | 7-17 | 350 | 28-180048-13 | 11-21 | 1190 |
| 28-17207-1 | 7-17 | 300 | 28-180049-11 | 11-20 | 10 |
| 28-17302-3 | 3-2 | 160 | 28-180050-1 | 11-20 | 100 |
| 28-17306-1 | 7-20 | - | 28-180050-101 | 11-20 | -100E |
| 28-17306-1 | 7-21 | -60 | 28-180050-103 | 11-20 | -100F |
| 28-17308-1 | 12-10 | 270 | 28-180050-105 | 11-20 | -100G |
| 28-17308-1 | 12-13 | 230 | 28-180050-107 | 11-20 | -100H |
| 28-17308-1 | 12-9 | 230 | 28-180050-109 | 11-20 | -100I |
| 28-17308-1 | 12-11 | 330 | 28-180050-11 | 11-20 | -100E |
| 28-17308-1 | 12-12 | 210 | 28-180050-111 | 11-20 | -100J |
| 28-17313-1 | 6-5 | 70 | 28-180050-13 | 11-20 | -100F |
| 28-17314-1 | 6-5 | 80 | 28-180050-15 | 11-20 | -100G |
| 28-17316-1 | 6-5 | 90 | 28-180050-17 | 11-20 | -100H |
| 28-17318-1 | 11-21 | 440 | 28-180050-3 | 11-20 | -100A |
| 28-17331-1 | 11-21 | 450 | 28-180050-5 | 11-20 | -100B |
| 28-17331-13 | 11-21 | 460 | 28-180050-7 | 11-20 | -100C |
| 28-17331-15 | 11-21 | 450 | 28-180050-9 | 11-20 | -100D |
| 28-180004-5 | 11-6 | 360 | 28-18005-1 | 11-21 | 470 |
| 28-180010-11 | 12-4 | 40A | 28-180051-1 | 11-20 | - |
| 28-180012-1 | 11-21 | 1100 | 28-180051-101 | 11-20 | - |
| 28-180014-1 | 11-8 | - | 28-180051-103 | 11-20 | - |
| 28-180014-1 | 11-7 | 950 | 28-180051-105 | 11-20 | - |
| 28-180018-1 | 11-21 | 1110 | 28-180051-107 | 11-20 | - |
| 28-180020-11 | 11-8 | 175 | 28-180051-3 | 11-20 | - |
| 28-180020-11 | 11-9 | 55 | 28-180051-5 | 11-20 | - |
| 28-180020-11 | 11-6 | 110 | 28-180051-7 | 11-20 | - |
| 28-180020-11 | 11-7 | 50 | 28-180051-9 | 11-20 | - |
| 28-180021-1 | 11-21 | 1120 | 28-180052-11 | 11-21 | 1200 |
| 28-180022-1 | 11-21 | 1130 | 28-180052-13 | 11-21 | 1200 |

UNCONTROLLED COPY WHEN DOWNLOADED OR PRINTED

ENSTROM F-28/280 SERIES ILLUSTRATED PARTS CATALOG

PART NUMBER INDEX SECTIONS 3 THROUGH 7 AND 9 THROUGH 12 FIGURES 8-1 THROUGH 8-11

| Part Number | Figure | Item | Part Number | Figure | Item |
|---------------|--------|-------|-------------|--------|------|
| 28-180053-11 | 11-21 | 1210 | 28-18015-1 | 11-21 | 540 |
| 28-180053-13 | 11-21 | 1210 | 28-18016-1 | 11-21 | 550 |
| 28-180054-11 | 11-21 | 1220 | 28-18020-1 | 11-18 | – |
| 28-180054-13 | 11-21 | 1220 | 28-18020-1 | 12-4 | –10 |
| 28-180055-11 | 11-21 | 1230 | 28-18020-3 | 12-4 | –10A |
| 28-180055-13 | 11-21 | 1230 | 28-18020-5 | 11-18 | – |
| 28-180056-11 | 11-21 | 1240 | 28-18020-5 | 12-4 | –130 |
| 28-180056-13 | 11-21 | 1240 | 28-18020-7 | 11-18 | – |
| 28-180057-11 | 11-21 | 1250 | 28-18020-7 | 12-4 | –240 |
| 28-180057-13 | 11-21 | 1250 | 28-18024-1 | 12-4 | 170 |
| 28-18006-1 | 11-21 | 480 | 28-18024-5 | 11-18 | 100 |
| 28-180067-1 | 11-20 | 150 | 28-18024-5 | 12-4 | 170 |
| 28-180067-101 | 11-20 | –150E | 28-18026-1 | 12-4 | 230 |
| 28-180067-103 | 11-20 | –150F | 28-18026-3 | 11-18 | 120 |
| 28-180067-105 | 11-20 | –150G | 28-18026-3 | 12-4 | 230 |
| 28-180067-107 | 11-20 | –150H | 28-18027-1 | 11-18 | 85 |
| 28-180067-109 | 11-20 | –150I | 28-18027-1 | 12-4 | 40 |
| 28-180067-201 | 11-20 | –150J | 28-18028-1 | 11-18 | 20 |
| 28-180067-203 | 11-20 | –150K | 28-18028-1 | 12-4 | 250 |
| 28-180067-205 | 11-20 | –150L | 28-18030-1 | 11-18 | 90 |
| 28-180067-207 | 11-20 | –150M | 28-18030-1 | 12-4 | 210 |
| 28-180067-209 | 11-20 | –150N | 28-18031-1 | 12-4 | 30 |
| 28-180067-211 | 11-20 | –150O | 28-18031-3 | 11-15 | 75 |
| 28-180067-213 | 11-20 | –150P | 28-18031-3 | 12-4 | 30 |
| 28-180067-215 | 11-20 | –150Q | 28-18032-1 | 11-2 | – |
| 28-180067-217 | 11-20 | –150R | 28-18033-1 | 11-8 | 425 |
| 28-180067-219 | 11-20 | –150S | 28-18033-1 | 11-9 | 335 |
| 28-180067-3 | 11-20 | –150A | 28-18033-1 | 11-7 | 890 |
| 28-180067-5 | 11-20 | –150B | 28-18033-1 | 11-14 | 100 |
| 28-180067-7 | 11-20 | –150C | 28-18033-11 | 11-15 | 75 |
| 28-180067-9 | 11-20 | –150D | 28-18034-1 | 11-18 | 105 |
| 28-18007-1 | 11-21 | 490 | 28-18034-1 | 12-4 | 200 |
| 28-18009-11 | 11-21 | 210 | 28-18035 | 11-1 | – |
| 28-18009-15 | 11-21 | 120 | 28-18036 | 11-1 | 110 |
| 28-18011-1 | 11-21 | 500 | 28-18036-10 | 11-1 | 120 |
| 28-18012-1 | 11-21 | 510 | 28-18036-10 | 11-4 | – |
| 28-18013-1 | 11-21 | 520 | 28-18036-10 | 11-5 | – |
| 28-18014-1 | 11-21 | 530 | 28-18036-9 | 11-1 | 370 |

UNCONTROLLED COPY WHEN DOWNLOADED OR PRINTED

ENSTROM F-28/280 SERIES ILLUSTRATED PARTS CATALOG

PART NUMBER INDEX SECTIONS 3 THROUGH 7 AND 9 THROUGH 12 FIGURES 8-1 THROUGH 8-11

| Part Number | Figure | Item | Part Number | Figure | Item |
|-------------|--------|------|--------------|--------|-------|
| 28-18036-9 | 11-3 | 270 | 28-18069-17 | 11-7 | 470C |
| 28-18036-9 | 11-5 | – | 28-18069-17 | 11-7 | 490 |
| 28-18036--9 | 11-2 | 270 | 28-18069-19 | 11-5 | – |
| 28-18037-1 | 11-21 | 560 | 28-18069-21 | 11-5 | – |
| 28-18037-2 | 11-21 | 570 | 28-18069-31 | 11-8 | 220 |
| 28-18037-3 | 11-21 | 580 | 28-18069-31 | 11-7 | –470 |
| 28-18043 | 11-2 | 240 | 28-18069-33 | 11-8 | 235 |
| 28-18043-1 | 11-21 | 590 | 28-18069-33 | 11-7 | –470B |
| 28-18048-1 | 11-21 | 600 | 28-18075-1 | 3-10 | 350 |
| 28-18049 | 11-1 | 360 | 28-18081-11 | 6-3 | – |
| 28-18049 | 11-2 | 260 | 28-18081-11 | 11-6 | 200 |
| 28-18050 | 11-1 | – | 28-18081-11 | 11-21 | 630 |
| 28-18050 | 11-2 | – | 28-18082-1 | 11-3 | – |
| 28-18051 | 11-1 | 350 | 28-18082-9 | 11-5 | 20 |
| 28-18051-3 | 11-2 | 250 | 28-18082-9 | 11-6 | 320 |
| 28-18052-1 | 11-6 | 450 | 28-18084-1 | 11-8 | – |
| 28-18052-1 | 11-21 | 610 | 28-18084-5 | 11-5 | – |
| 28-18053-1 | 11-6 | 520 | 28-18087-1 | 11-21 | 640 |
| 28-18053-1 | 11-21 | 620 | 28-18088-1 | 11-21 | 650 |
| 28-18060-11 | 11-8 | 25 | 28-18088-2 | 11-21 | 660 |
| 28-18060-11 | 11-9 | 30 | 28-18091-1 | 11-5 | – |
| 28-18060-11 | 11-7 | 130 | 28-18091-101 | 11-5 | – |
| 28-18060-13 | 11-8 | 105 | 28-18091-103 | 11-5 | – |
| 28-18060-13 | 11-9 | 35 | 28-18091-105 | 11-5 | – |
| 28-18060-13 | 11-7 | 130A | 28-18091-107 | 11-5 | – |
| 28-18060-15 | 11-8 | 100 | 28-18091-109 | 11-5 | – |
| 28-18060-15 | 11-9 | 75 | 28-18091-111 | 11-5 | – |
| 28-18060-15 | 11-7 | 130B | 28-18091-113 | 11-5 | – |
| 28-18061-1 | 11-8 | 330 | 28-18091-121 | 11-6 | –490A |
| 28-18061-1 | 11-9 | 260 | 28-18091-123 | 11-6 | 420 |
| 28-18061-1 | 11-7 | 720A | 28-18091-131 | 11-5 | – |
| 28-18061-1 | 11-12 | 20 | 28-18091-133 | 11-5 | – |
| 28-18061-1 | 11-13 | 170 | 28-18091-3 | 11-5 | – |
| 28-18061-1 | 11-13 | 200 | 28-18091-5 | 11-5 | – |
| 28-18061-1 | 11-13 | 210 | 28-18091-5 | 11-6 | 490 |
| 28-18061-1 | 11-13 | 220 | 28-18092-11 | 11-21 | 670 |
| 28-18061-3 | 11-7 | –720 | 28-18095-1 | 11-5 | 300 |
| 28-18069-15 | 11-7 | 470A | 28-18095-3 | 11-5 | 300A |

UNCONTROLLED COPY WHEN DOWNLOADED OR PRINTED

ENSTROM F-28/280 SERIES ILLUSTRATED PARTS CATALOG

PART NUMBER INDEX SECTIONS 3 THROUGH 7 AND 9 THROUGH 12 FIGURES 8-1 THROUGH 8-11

| Part Number | Figure | Item | Part Number | Figure | Item |
|--------------|--------|------|--------------|--------|-------|
| 28-18095-6 | 11-5 | 300B | 28-18103-5 | 3-22 | 510 |
| 28-18099-101 | 11-5 | - | 28-18103-5 | 11-10 | 140 |
| 28-18099-111 | 11-5 | - | 28-18103-6 | 11-10 | 150 |
| 28-18099-119 | 11-5 | - | 28-18103-7 | 11-10 | 160 |
| 28-18099-125 | 11-5 | - | 28-18103-7 | 11-11 | -140A |
| 28-18099-147 | 11-8 | - | 28-18104-3 | 11-14 | 30 |
| 28-18099-149 | 11-7 | - | 28-18104-4 | 11-14 | 40 |
| 28-18099-157 | 11-7 | - | 28-18104-5 | 11-14 | 50 |
| 28-18099-159 | 11-8 | - | 28-18104-6 | 11-14 | 60 |
| 28-18099-161 | 11-7 | - | 28-18104-7 | 11-14 | 70 |
| 28-18099-165 | 11-7 | - | 28-18104-903 | 11-12 | 110 |
| 28-18099-169 | 11-7 | - | 28-18104-903 | 11-13 | 10 |
| 28-18099-171 | 11-9 | - | 28-18104-904 | 11-12 | 90 |
| 28-18099-173 | 11-9 | - | 28-18104-904 | 11-13 | 20 |
| 28-18099-3 | 11-6 | - | 28-18104-905 | 11-12 | 100 |
| 28-18099-7 | 11-6 | - | 28-18104-905 | 11-13 | 30 |
| 28-18100-11 | 11-21 | 680 | 28-18104-906 | 11-12 | 80 |
| 28-181001-11 | 3-22 | 480 | 28-18104-906 | 11-13 | 40 |
| 28-181001-11 | 3-23 | 500 | 28-18104-907 | 11-12 | 60 |
| 28-181001-3 | 3-23 | 500 | 28-18104-907 | 11-13 | 50 |
| 28-181002-1 | 3-22 | 510 | 28-18105-11 | 11-21 | 130 |
| 28-181002-1 | 3-23 | 530 | 28-18105-13 | 11-21 | 690 |
| 28-181005-1 | 11-6 | 210 | 28-18107-1 | 11-21 | 700 |
| 28-181005-13 | 11-16 | 140 | 28-18108-1 | 11-21 | 710 |
| 28-181006-11 | 3-3 | 140 | 28-18112-1 | 11-11 | 50 |
| 28-181007-1 | 3-3 | 120 | 28-18113-1 | 11-11 | 30 |
| 28-181007-3 | 3-3 | 120 | 28-18143-11 | 6-11 | 260 |
| 28-181007-5 | 3-3 | 120 | 28-18153-105 | 11-7 | 310B |
| 28-181008-1 | 3-20 | - | 28-18153-107 | 11-7 | 310 |
| 28-181008-1 | 3-20A | - | 28-18153-109 | 11-8 | 85 |
| 28-181008-1 | 3-20B | - | 28-18153-109 | 11-7 | -310A |
| 28-18101-11 | 11-8 | 145 | 28-18156-1 | 11-6 | 20 |
| 28-18101-11 | 11-7 | 370 | 28-18156-3 | 11-6 | -20A |
| 28-18103-3 | 3-22 | 480 | 28-18158-1 | 9-3 | - |
| 28-18103-3 | 11-10 | 130 | 28-18158-1 | 9-4 | - |
| 28-18103-4 | 3-22 | 480 | 28-18158-3 | 9-3 | - |
| 28-18103-4 | 11-11 | 10 | 28-18158-3 | 9-4 | - |
| 28-18103-4 | 11-11 | 140 | 28-18159-11 | 9-3 | - |

UNCONTROLLED COPY WHEN DOWNLOADED OR PRINTED

ENSTROM F-28/280 SERIES ILLUSTRATED PARTS CATALOG

PART NUMBER INDEX SECTIONS 3 THROUGH 7 AND 9 THROUGH 12 FIGURES 8-1 THROUGH 8-11

| Part Number | Figure | Item | Part Number | Figure | Item |
|-------------|--------|------|---------------|--------|-------|
| 28-18159-11 | 9-4 | – | 28-18167-19 | 6-12 | 10 |
| 28-18159-13 | 9-3 | – | 28-18167-21 | 6-12 | 10 |
| 28-18159-13 | 9-4 | – | 28-18167-23 | 6-12 | 10 |
| 28-18161-11 | 9-3 | – | 28-18167-25 | 6-12 | 10 |
| 28-18161-11 | 9-4 | – | 28-18167-27 | 6-12 | 10 |
| 28-18161-15 | 9-3 | – | 28-18167-5 | 11-19 | 15 |
| 28-18161-15 | 9-4 | – | 28-18171-29 | 11-7 | 500B |
| 28-18161-17 | 9-4 | – | 28-18171-31 | 11-7 | 500 |
| 28-18161-19 | 9-4 | – | 28-18171-33 | 11-8 | 230 |
| 28-18162-13 | 9-3 | – | 28-18171-33 | 11-7 | –500A |
| 28-18162-13 | 9-3 | – | 28-18200-1 | 11-8 | 365 |
| 28-18162-13 | 9-4 | – | 28-18200-1 | 11-7 | –760 |
| 28-18162-13 | 9-4 | – | 28-18200-3 | 11-7 | 760A |
| 28-18162-14 | 9-3 | – | 28-19001-943 | 6-4 | 70 |
| 28-18162-14 | 9-4 | – | 28-19001-948 | 6-4 | 60 |
| 28-18162-14 | 9-4 | – | 28-19003 | 6-1 | 80 |
| 28-18162-14 | 9-3 | – | 28-19004 | 6-1 | 10 |
| 28-18162-15 | 9-3 | – | 28-19006-24-1 | 7-13 | 80 |
| 28-18162-15 | 9-4 | – | 28-19016-11 | 6-2 | 70 |
| 28-18162-15 | 9-4 | – | 28-19021-10 | 11-8 | 280 |
| 28-18162-17 | 9-3 | – | 28-19021-10 | 11-9 | 200 |
| 28-18162-17 | 9-4 | – | 28-19021-10 | 11-7 | 590 |
| 28-18162-17 | 9-4 | – | 28-19021-10 | 11-7 | 800 |
| 28-18164-3 | 9-3 | – | 28-19021-13 | 8-5 | –130B |
| 28-18164-3 | 9-4 | – | 28-19021-15 | 8-5 | –130A |
| 28-18164-5 | 9-3 | – | 28-19021-17 | 8-5 | –150A |
| 28-18164-5 | 9-4 | – | 28-19021-19 | 8-5 | –130C |
| 28-18165-5 | 11-19 | 115 | 28-19021-2 | 8-5 | 130 |
| 28-18166-1 | 9-3 | 10 | 28-19021-21 | 8-5 | –150B |
| 28-18166-1 | 9-4 | 10 | 28-19021-23 | 8-5 | –130D |
| 28-18166-3 | 9-3 | 10A | 28-19021-25 | 8-5 | –130E |
| 28-18166-3 | 9-4 | 10A | 28-19021-27 | 8-5 | –150C |
| 28-18166-5 | 9-4 | 10A | 28-19021-29 | 8-5 | 160 |
| 28-18166-7 | 9-4 | 10 | 28-19021-3 | 8-5 | 150 |
| 28-18167-11 | 6-12 | 10 | 28-19021-31 | 8-5 | 140 |
| 28-18167-13 | 6-12 | 10 | 28-19021-33 | 8-5 | 170 |
| 28-18167-15 | 6-12 | 10 | 28-19021-35 | 8-5 | –130F |
| 28-18167-17 | 6-12 | 10 | 28-19021-37 | 8-5 | –130G |

UNCONTROLLED COPY WHEN DOWNLOADED OR PRINTED

ENSTROM F-28/280 SERIES ILLUSTRATED PARTS CATALOG

PART NUMBER INDEX SECTIONS 3 THROUGH 7 AND 9 THROUGH 12 FIGURES 8-1 THROUGH 8-11

| Part Number | Figure | Item | Part Number | Figure | Item |
|--------------|--------|-------|--------------|--------|------|
| 28-19021-39 | 8-5 | -160A | 28-19103-1 | 6-10 | 40 |
| 28-19021-41 | 8-5 | -140A | 28-19104-1 | 6-9 | 40 |
| 28-19021-43 | 8-5 | -170A | 28-19105-1 | 6-10 | 50 |
| 28-19023 | 11-8 | 380 | 28-19105-1 | 6-9 | 60 |
| 28-19023 | 11-9 | 290 | 28-19106-1 | 6-9 | 30 |
| 28-19023 | 11-7 | 830 | 28-19106-3 | 6-10 | 30 |
| 28-19025-1 | 6-14 | 70 | 28-19106-3 | 6-9 | 30 |
| 28-19027-13 | 11-8 | 10 | 28-19106-5 | 6-10 | 30 |
| 28-19027-13 | 11-7 | 10 | 28-19106-5 | 6-13 | 90 |
| 28-19031 | 11-5 | - | 28-19106-5 | 6-9 | 30 |
| 28-19032 | 11-5 | - | 28-19123-9 | 11-8 | 375 |
| 28-19037-11 | 11-21 | 720 | 28-19123-9 | 11-9 | 285 |
| 28-19040-5 | 6-14 | - | 28-19123-9 | 11-7 | 820 |
| 28-19041 | 11-6 | 10 | 28-19131-1 | 6-11 | - |
| 28-19041-111 | 6-11 | - | 28-19132-3 | 6-5 | 200 |
| 28-19045-1 | 11-5 | 280 | 28-20000 | 7-15 | - |
| 28-19045-3 | 11-5 | 280A | 28-20100-1 | 7-15 | -10 |
| 28-19045-5 | 11-5 | 280B | 28-20100-2 | 7-15 | -20 |
| 28-19045-7 | 11-5 | 280C | 28-20100-6 | 7-15 | 30 |
| 28-19045-9 | 11-5 | 280D | 28-20100-7 | 7-15 | 40 |
| 28-19046-11 | 11-8 | 15 | 28-20107-11 | 11-21 | 140 |
| 28-19046-11 | 11-9 | 15 | 28-20107-11 | 11-21 | 750 |
| 28-19046-11 | 11-7 | 40 | 28-20107-11 | 7-15 | 300 |
| 28-19046-11 | 11-21 | 730 | 28-20107-11 | 7-16 | 270 |
| 28-19047-1 | 6-11 | 250 | 28-20107-13 | 11-21 | 750 |
| 28-19047-11 | 6-11 | 250 | 28-20107-13 | 7-15 | -310 |
| 28-19048-11 | 6-11 | 230 | 28-20107-13 | 7-16 | -280 |
| 28-19048-13 | 6-11 | 230 | 28-20111-1 | 7-17 | 30 |
| 28-19055-11 | 6-13 | 140 | 28-20111-2 | 7-17 | 40 |
| 28-19064-1 | 11-9 | 45 | 28-20111-911 | 7-17 | 30 |
| 28-19064-1 | 11-7 | 20 | 28-20111-912 | 7-17 | 40 |
| 28-19073 | 6-12 | - | 28-20112-1 | 7-17 | 50 |
| 28-19073-1 | 11-7 | 740 | 28-20112-15 | 7-17 | 50 |
| 28-19073-101 | 11-8 | 360 | 28-20112-16 | 7-17 | 60 |
| 28-19073-3 | 11-7 | 740A | 28-20112-2 | 7-17 | 60 |
| 28-19073-5 | 11-7 | 740B | 28-20116-11 | 7-17 | 70 |
| 28-19073-7 | 11-7 | 740C | 28-20119-1 | 7-17 | 10 |
| 28-19101-11 | 11-21 | 740 | 28-20119-2 | 7-17 | 20 |

UNCONTROLLED COPY WHEN DOWNLOADED OR PRINTED

ENSTROM F-28/280 SERIES ILLUSTRATED PARTS CATALOG

PART NUMBER INDEX SECTIONS 3 THROUGH 7 AND 9 THROUGH 12 FIGURES 8-1 THROUGH 8-11

| Part Number | Figure | Item | Part Number | Figure | Item |
|--------------|--------|------|-------------|--------|------|
| 28-20119-3 | 7-17 | 10 | 28-21048-5 | 6-5 | – |
| 28-20119-4 | 7-17 | 20 | 28-21048-5 | 6-6 | 110A |
| 28-21000-1 | 6-4 | – | 28-21048-6 | 6-5 | – |
| 28-21002 | 6-4 | 340 | 28-21048-6 | 6-6 | 110B |
| 28-21002-3 | 6-4 | 340 | 28-21048-7 | 6-5 | – |
| 28-21002-3 | 6-6 | 10 | 28-21048-7 | 6-6 | 110A |
| 28-21002-4 | 6-4 | 340 | 28-21048-8 | 6-5 | – |
| 28-21002-4 | 6-6 | 10 | 28-21048-8 | 6-6 | 110B |
| 28-21003-1 | 6-4 | 330 | 28-21048-9 | 6-5 | – |
| 28-21003-1 | 6-4 | 40 | 28-21048-9 | 6-6 | 110C |
| 28-21004-1 | 6-6 | 40 | 28-21050-11 | 6-7 | 180 |
| 28-21006-1 | 6-4 | 250 | 28-21051-11 | 6-7 | *50 |
| 28-21007-1 | 6-4 | 240 | 28-21052-1 | 6-7 | – |
| 28-21008-1 | 6-4 | 230 | 28-21053-3 | 6-7 | – |
| 28-21009-1 | 6-4 | 220 | 28-22013-1 | 11-21 | 780 |
| 28-21009-1 | 6-5 | 205 | 28-22016-1 | 11-21 | 790 |
| 28-21009-1 | 6-5 | 60 | 28-22016-5 | 11-21 | 790 |
| 28-21009-1 | 6-7 | 170 | 28-22018-1 | 11-21 | 800 |
| 28-21009-1 | 6-8 | 10 | 28-22018-2 | 11-21 | 810 |
| 28-21010-3 | 6-5 | 235 | 28-22019-1 | 11-21 | 820 |
| 28-21011-1 | 6-4 | 180 | 28-22031-1 | 3-5A | – |
| 28-21011-1 | 6-6 | 80 | 28-22032-1 | 3-5A | 160 |
| 28-21012-1 | 6-4 | 160 | 28-22034-11 | 3-5A | 30 |
| 28-21012-1 | 6-6 | 240 | 28-22081-5 | 11-8 | – |
| 28-21014-1 | 6-4 | 270 | 28-22093-3 | 11-8 | 140 |
| 28-21017-1 | 3-21 | 70 | 28-22093-3 | 11-9 | 60 |
| 28-21021-1 | 11-21 | 760 | 28-22093-3 | 11-19 | – |
| 28-21024-1 | 6-7 | 20 | 28-22093-3 | 11-7 | 350 |
| 28-21034-1 | 6-7 | 40 | 28-22094-11 | 11-19 | 155 |
| 28-21035-5 | 6-7 | 10 | 28-22094-13 | 11-19 | 110 |
| 28-21035-5 | 11-21 | 770 | 28-22096-11 | 11-19 | 125 |
| 28-21043-1 | 6-7 | 130 | 28-22101 | 9-3 | 390 |
| 28-21048-1 | 6-5 | – | 28-22101-1 | 9-2 | 29 |
| 28-21048-1 | 6-6 | 110A | 28-22102-1 | 9-2 | 38 |
| 28-21048-101 | 6-5 | – | 28-22117 | 9-3 | 320 |
| 28-21048-101 | 6-6 | 110D | 28-22117-3 | 9-2 | 37 |
| 28-21048-3 | 6-5 | – | 28-22165-1 | 7-1 | – |
| 28-21048-3 | 6-6 | 110B | 28-22165-1 | 7-3 | 80 |

UNCONTROLLED COPY WHEN DOWNLOADED OR PRINTED

ENSTROM F-28/280 SERIES ILLUSTRATED PARTS CATALOG

PART NUMBER INDEX SECTIONS 3 THROUGH 7 AND 9 THROUGH 12 FIGURES 8-1 THROUGH 8-11

| Part Number | Figure | Item | Part Number | Figure | Item |
|--------------|--------|------|--------------|--------|------|
| 28-22199-1 | 9-2 | 34 | 28-22606-1 | 11-21 | 1020 |
| 28-22208-11 | 9-5 | 105 | 28-22607-1 | 11-21 | 1030 |
| 28-22209-101 | 9-5 | 110 | 28-22608-1 | 11-21 | 1040 |
| 28-22209-103 | 9-5 | 110 | 28-22609-11 | 11-21 | 1050 |
| 28-22210-9 | 9-5 | – | 28-22613-1 | 11-21 | 1060 |
| 28-22216-13 | 11-21 | 830 | 28-22615-11 | 11-21 | 1070 |
| 28-22343-1 | 11-21 | 840 | 28-22615-13 | 11-21 | 1080 |
| 28-22344-5 | 11-5 | – | 28-22615-15 | 11-21 | 1070 |
| 28-22350-1 | 8-3A | – | 2852 | 11-17 | 240 |
| 28-22421-1 | 7-20 | 90 | 2855 | 11-17 | 260 |
| 28-22501-1 | 11-21 | 850 | 286377 | 6-12 | 60 |
| 28-22501-10 | 11-21 | 940 | 2870 | 11-17 | 250 |
| 28-22501-11 | 11-6 | 330 | 2871 | 11-17 | 230 |
| 28-22501-2 | 11-21 | 860 | 28775-214 | 5-6 | 200 |
| 28-22501-3 | 11-21 | 870 | 28NBC2040YZP | 4-1 | 210 |
| 28-22501-4 | 11-21 | 880 | 28NBC2040YZP | 4-1 | 340 |
| 28-22501-5 | 11-21 | 890 | 2904-33 | 11-2 | 300 |
| 28-22501-6 | 11-21 | 900 | 2904-33 | 11-3 | 300 |
| 28-22501-7 | 11-21 | 910 | 2904-33 | 11-5 | – |
| 28-22501-8 | 11-21 | 920 | 2904-33F5 | 11-1 | 400 |
| 28-22501-9 | 11-21 | 930 | 2904-33F5 | 11-4 | – |
| 28-22504-1 | 11-21 | 950 | 2D8934 | 5-6 | 50 |
| 28-22505-1 | 11-21 | 960 | 3/8 Harper | 5-3 | 320 |
| 28-22506-1 | 11-21 | 970 | 3/8-6NA | 11-19 | 190 |
| 28-22507-1 | 11-21 | 980 | 30-0009-36 | 6-6 | 50 |
| 28-22508-1 | 11-21 | 990 | 300-037 | 6-10 | 20 |
| 28-22540-11 | 11-21 | 1000 | 300-071 | 7-4 | 70 |
| 28-22540-17 | 11-8 | 155 | 300-071-CS | 7-1 | 90 |
| 28-22540-17 | 11-7 | 320 | 300-072 | 7-4 | 80 |
| 28-22540-19 | 11-19 | 10 | 30-1UL | 11-8 | 20 |
| 28-22543-11 | 11-17 | 220 | 30-1UL | 11-9 | 20 |
| 28-22543-11 | 11-21 | 1010 | 30-1UL | 11-5 | 290 |
| 28-22543-13 | 11-8 | 135 | 30-1UL | 11-7 | 30 |
| 28-22543-13 | 11-9 | 65 | 3028-3/32 | 11-8 | 505 |
| 28-22543-13 | 11-7 | 340 | 3028-3/32 | 11-8 | 520 |
| 28-22561-3 | 6-13 | 10 | 304R | 12-10 | 40 |
| 28-22562-17 | 6-13 | 50 | 306590 | 5-4 | 140 |
| 28-22563-5 | 6-13 | 100 | 313 | 6-5 | 20 |

UNCONTROLLED COPY WHEN DOWNLOADED OR PRINTED

ENSTROM F-28/280 SERIES ILLUSTRATED PARTS CATALOG

PART NUMBER INDEX SECTIONS 3 THROUGH 7 AND 9 THROUGH 12 FIGURES 8-1 THROUGH 8-11

| Part Number | Figure | Item | Part Number | Figure | Item |
|---------------|--------|------|-----------------|--------|------|
| 3-1AF | 7-5 | 140 | 3498T613 | 7-4 | 70 |
| 31B22111 | 3-31 | - | 35-140-A | 11-4 | - |
| 325E10-2 | 3-8 | 50 | 37A19773-376 | 3-21 | - |
| 32-5R | 6-4 | 310 | 38-0230021-00 | 6-4 | - |
| 327 | 11-8 | 50 | 38-0230021-00 | 6-4 | - |
| 327 | 11-9 | - | 38-0230021-00 | 6-4 | - |
| 327 | 11-7 | 80 | 381N-500-S | 11-8 | - |
| 32-7L | 6-4 | 320 | 381N-500-S | 11-9 | - |
| 32NBC2044YZP | 4-2 | 110 | 3-904 V0894-90 | 3-8 | 66 |
| 330 | 6-4 | - | 3A1535-B96-A100 | 3-10 | 60 |
| 330 | 11-1 | - | 3A-3140 | 3-10 | 60 |
| 330 | 11-1 | - | 3A-3308 | 7-4 | 70 |
| 330 | 11-2 | - | 3A3408-2 | 10-4 | 220 |
| 330 | 11-2 | - | 3AG-1A | 11-17 | 50 |
| 330 | 11-3 | - | 3BT5EE10J2 | 3-3 | 200 |
| 330 | 11-4 | - | 3BT5EE10J2 | 3-8 | 50 |
| 330 | 11-4 | - | 3MC1-3-2 | 6-3 | - |
| 330 | 11-5 | - | 3MC1-3-2 | 11-5 | 250 |
| 33-199-36 | 3-22 | - | 3MC1-3-2 | 11-6 | 190 |
| 33-199-36 | 3-23 | - | 400-003 | 3-5A | 50 |
| 33-199-916 | 3-22 | 260 | 400-003 | 3-5A | 80 |
| 33-199-916 | 3-23 | 270 | 400510 | 11-19 | 35 |
| 338382 | 5-4 | 140 | 4016 | 11-8 | 470 |
| 34-0070371-02 | 6-4 | 150 | 4016-1 | 7-5 | 40 |
| 34-0070373-01 | 6-4 | - | 4016-75 | 7-5 | 100 |
| 34-0070373-01 | 6-4 | - | 40NBC2052YZP | 4-2 | 90 |
| 34-0070373-01 | 6-4 | - | 4115001-19 | 9-3 | 340 |
| 34-0070373-01 | 6-4 | 90 | 4118265-21 | 7-6 | 190 |
| 34-0070373-01 | 6-6 | 350 | 4118278-21 | 7-6 | 80 |
| 34-0070373-03 | 6-6 | 350 | 4118278-23 | 7-6 | 30 |
| 34-0412070-63 | 6-6 | 140 | 4118283-11 | 7-6 | 50 |
| 34-0412070-63 | 6-6 | 440 | 4118284-13 | 7-6 | 100 |
| 34-0414020-65 | 6-4 | - | 4118290-15 | 7-6 | -630 |
| 34-0414020-65 | 6-4 | - | 4118290-16 | 7-6 | 620 |
| 34-0414020-65 | 6-4 | - | 4119780-23 | 9-5 | 20 |
| 34-0428020-65 | 6-6 | 390 | 4119835-33 | 11-8 | 355 |
| 34-0428070-64 | 6-6 | 140 | 4119835-33 | 11-8 | 5 |
| 340823 | 5-4 | 290 | 4119835-33 | 6-12 | 20 |

UNCONTROLLED COPY WHEN DOWNLOADED OR PRINTED

ENSTROM F-28/280 SERIES ILLUSTRATED PARTS CATALOG

PART NUMBER INDEX SECTIONS 3 THROUGH 7 AND 9 THROUGH 12 FIGURES 8-1 THROUGH 8-11

| Part Number | Figure | Item | Part Number | Figure | Item |
|--------------|--------|------|-------------|--------|------|
| 4119839-11 | 7-6 | -290 | 4234 | 3-26 | 20 |
| 4119920-11 | 11-21 | 150 | 4235 | 3-26 | 50 |
| 4119920-13 | 11-21 | 160 | 4241 | 3-26 | 70 |
| 4119920-15 | 11-21 | 170 | 428-3-VG | 12-5 | 780 |
| 4150008-5 | 12-5 | 25 | 43-13-1-24 | 3-20 | - |
| 4164 | 6-13 | 191 | 43-13-1-24 | 3-20 | - |
| 4166053-11 | 8-9 | - | 43-13-1-24 | 3-20A | - |
| 4166053-11 | 8-10 | - | 43-13-1-24 | 3-20A | - |
| 4166053-13 | 8-9 | - | 43-13-1-24 | 3-20B | - |
| 4166053-13 | 8-10 | - | 43-13-1-24 | 3-20B | - |
| 4166053-15 | 8-9 | - | 43-13-1-24 | 7-1 | - |
| 4166053-15 | 8-10 | - | 43-13-1-24 | 7-8 | 240 |
| 4192509-901 | 6-11 | 10 | 43-13-1-24 | 7-18 | - |
| 4196603-23 | 11-8 | 75 | 43-13-1-24 | 7-18 | - |
| 4196603-23 | 11-9 | - | 43-13-1-24 | 7-18 | - |
| 4196603-23 | 11-7 | 170 | 43-13-1-24 | 7-18 | - |
| 4196609-11 | 6-14 | 80 | 4316 | 7-5 | 220 |
| 4199059-1 | 6-14 | 70 | 439-4-8-2-6 | 11-15 | 95 |
| 4199059-3 | 6-14 | 70 | 439-4-8-2-6 | 11-13 | 80 |
| 4199072-11 | 6-11 | - | 439-4-8-2-6 | 11-14 | - |
| 41EN-G3-2311 | 11-1 | - | 4406 | 6-5 | 50 |
| 41EN-G3-2311 | 11-1 | - | 444-4-2-6 | 11-15 | 120 |
| 41EN-G3-2311 | 11-1 | - | 444-4-2-6 | 3-24 | 230 |
| 41EN-G3-2311 | 11-2 | - | 444-4-4-2-6 | 11-13 | 90 |
| 41EN-G3-2311 | 11-2 | - | 444-4-4-2-6 | 11-14 | 90 |
| 41EN-G3-2311 | 11-2 | - | 4503 | 3-26 | 90 |
| 41EN-G3-2311 | 11-3 | - | 4508-1 | 7-16 | 290 |
| 41EN-G3-2311 | 11-3 | - | 4508-2 | 3-20 | 630 |
| 41EN-G3-2311 | 11-5 | - | 4508-2 | 3-20A | 630 |
| 41EN-G3-2313 | 11-1 | - | 4508-2 | 3-20B | 630 |
| 41EN-G3-2313 | 11-2 | - | 4508-75 | 8-5 | 620 |
| 41EN-G3-2313 | 11-3 | - | 4509 | 6-4 | 210 |
| 41EN-G3-2313 | 11-5 | - | 4509 | 6-7 | 60 |
| 41EN-G5-2312 | 11-1 | - | 4509 | 6-8 | 20 |
| 41EN-G5-2312 | 11-2 | - | 4591 | 6-5 | 50 |
| 4208-00 | 3-26 | 100 | 4596 | 6-8 | 20A |
| 4222 | 3-26 | 140 | 4600-00 | 3-26 | - |
| 4232 | 3-26 | 10 | 471-RED | 7-21 | - |

UNCONTROLLED COPY WHEN DOWNLOADED OR PRINTED

ENSTROM F-28/280 SERIES ILLUSTRATED PARTS CATALOG

PART NUMBER INDEX SECTIONS 3 THROUGH 7 AND 9 THROUGH 12 FIGURES 8-1 THROUGH 8-11

| Part Number | Figure | Item | Part Number | Figure | Item |
|--------------------|--------|------|-----------------|--------|------|
| 488-4D28-20 | 3-8 | 20 | 550 | 9-4 | 70 |
| 48P6 | 3-23 | 171 | 551-5 | 11-11 | 220 |
| 4910-50 | 7-4 | - | 55-4527-1067 | 3-14 | 80 |
| 49726 | 11-13 | - | 57-3255-2121 | 3-10 | 60 |
| 4FBTX-D | 3-24 | 80 | 57-3255-2121 | 3-15 | 70 |
| 4-FBTX-D | 3-22 | 310 | 58390 | 6-11 | 50 |
| 4JBTX-D | 3-24 | 100 | 588-6D1 | 3-4 | 140 |
| 4-LHBTX-S | 3-22 | 440 | 59-022-094-0500 | 5-5 | 70 |
| 4SN-188-C-73 | 5-5 | 230 | 5934 | 11-1 | 160 |
| 4-VBTX-S | 3-22 | 420 | 5934 | 11-3 | 50 |
| 4WBTX-S | 3-24 | 180 | 5934 | 11-4 | 50 |
| 5/16 HARPER | 8-4 | 150 | 5934-1 | 11-2 | 50 |
| 5/8-6B | 11-20 | 20 | 5934M | 11-2 | -50A |
| 5/8-6NA | 6-6 | 290 | 5934PD-3-A.253 | 11-5 | 60 |
| 5002-268-PP | 12-5 | - | 5934PD-3-A.253 | 11-7 | 120 |
| 5045 | 4-2 | 160 | 5934PD-3-A.253 | 11-8 | 60 |
| 507-507-101 | 11-1 | 80 | 5934PD-3-A.253 | 11-9 | 40 |
| 507-507-101 | 11-1 | 320 | 5-W-140 | 7-1 | 510 |
| 507-507-101 | 11-1 | 340 | 6 X 3/8 | 11-8 | 350 |
| 507-507-101 | 11-2 | - | 6 X 3/8 | 11-19 | 20 |
| 507-507-101 | 11-2 | 210 | 6 X 3/8 | 11-7 | 750 |
| 507-507-101 | 11-2 | 230 | 6 X 3/8 | 7-20 | 190 |
| 507-507-101 | 11-3 | - | 600700-0000 | 3-3 | 200 |
| 507-507-101 (7.5A) | 11-5 | 220 | 600700-0000 | 3-8 | 50 |
| 5102-137-PP | 12-7 | 130 | 601002-4-0120 | 11-10 | 50 |
| 5108-100 | 7-20 | 500 | 601002-6-0180 | 3-4 | 90 |
| 511T1-2 | 11-1 | 50 | 601002-6-0180 | 3-6 | 50 |
| 511TS1-2 | 11-1 | 60 | 6041-ED22 | 6-2 | 20 |
| 52305A15-6 | 7-1 | 190 | 6041H34 | 6-1 | 30 |
| 5-295 | 7-1 | 520 | 60617-1 | 11-7 | - |
| 5310-00-063-9015 | 6-6 | 300 | 60618-1 | 11-8 | - |
| 5451 | 7-18 | - | 60618-1 | 6-11 | - |
| 5451 | 7-18 | - | 60618-1 | 11-7 | - |
| 5451 | 7-18 | - | 60685K31 | 7-6 | -455 |
| 550 | 9-3 | 70 | 60686K31 | 7-6 | -525 |
| 550 | 9-3 | 90 | 608036-1 | 11-19 | - |
| 550 | 9-4 | 110 | 608036-1 | 11-19 | - |
| 550 | 9-4 | 220 | 608036-1 | 11-19 | - |

UNCONTROLLED COPY WHEN DOWNLOADED OR PRINTED

ENSTROM F-28/280 SERIES ILLUSTRATED PARTS CATALOG

PART NUMBER INDEX SECTIONS 3 THROUGH 7 AND 9 THROUGH 12 FIGURES 8-1 THROUGH 8-11

| Part Number | Figure | Item | Part Number | Figure | Item |
|----------------|--------|------|-----------------|--------|-------|
| 608036-1 | 11-19 | – | 68-4230020-40 | 6-6 | 120A |
| 608036-1 | 11-19 | – | 68-4230020-40 | 6-6 | 30 |
| 608036-1 | 11-19 | – | 68-4230020-50 | 6-4 | – |
| 62 | 3-24 | 550 | 68-4230020-50 | 6-6 | 120 |
| 624100-4-0120 | 3-22 | 430 | 68-4230020-50 | 6-6 | 30 |
| 624100-6-0060 | 3-22 | 410 | 68-4250066-30 | 6-6 | 410 |
| 624100-6-0180 | 3-6 | 60 | 68-4270002-30 | 6-6 | 430 |
| 624117-6-0180 | 3-22 | 350 | 6-F5OX-S | 3-22 | 210 |
| 624117-6-0180 | 3-6 | 50 | 6RX1/2 | 8-5 | 610 |
| 62447-6-180 | 3-4 | 90 | 6-S5OX-S | 3-22 | 360 |
| 6312-H69 | 11-4 | –40A | 6-V5OX-S | 3-22 | 140 |
| 6312-H69A | 11-2 | 40 | 6x1/2 | 9-1 | 5 |
| 6312-H69A | 11-3 | 40 | 6x1/2 | 9-2 | 4 |
| 6-4 C5OX-S | 3-8 | 67 | 6X3/8 | 6-12 | 30 |
| 64021 | 6-9 | 20 | 700-001-10 | 11-6 | 440 |
| 64-632-74 | 3-24 | 430 | 700-001-15 | 11-1 | 90 |
| 6487923 | 3-1 | 30 | 700-001-20 | 11-1 | 100 |
| 6487923 | 3-2 | 30 | 700-001-20 | 11-5 | 240 |
| 65-29AP | 11-1 | 180 | 700200 | 11-19 | 25 |
| 65-29AP | 11-4 | 70 | 700702-16 | 11-19 | 175 |
| 65-29B | 11-2 | 70 | 702-5123 | 8-5 | –180G |
| 65-29B | 11-3 | 70 | 702-5130 | 8-5 | –180H |
| 65-29B | 11-4 | –70A | 7079B-12 | 6-4 | 150 |
| 65-4527-2229 | 3-10 | 10 | 7101SYZQE | 11-8 | 150 |
| 65-4527-2229 | 3-14 | 80 | 7101SYZQE | 11-9 | 185 |
| 65614 | 3-20 | 420 | 7101SYZQE | 11-19 | 30 |
| 65614 | 3-20A | 420 | 7101SYZQE | 11-7 | 680 |
| 65614 | 3-20B | 420 | 7101SYZQE | 11-17 | 30 |
| 65614 | 3-9 | 140 | 72-028-125-0500 | 7-1 | 330 |
| 66224 | 3-3 | 150 | 7203BTVPUO | 12-9 | 160 |
| 6-6FBTX-D | 3-24 | 270 | 7235-1-100 | 6-13 | 185 |
| 6-6FBTX-S | 3-22 | 230 | 7235-1-100 | 6-3 | 10 |
| 67-02-E-18-64S | 8-5 | 190 | 726607 | 6-11 | 40 |
| 67-06-C-18-64P | 8-5 | 200 | 726621 | 5-6 | 130 |
| 6-8 F5OX-S | 3-23 | 120 | 726621 | 6-11 | – |
| 68-2290005-30 | 6-6 | 400 | 7270-1-20 | 11-5 | 200 |
| 68-4230020-30 | 6-4 | – | 7270-1-3 | 11-8 | 255 |
| 68-4230020-40 | 6-4 | – | 7270-1-3 | 11-9 | 135 |

UNCONTROLLED COPY WHEN DOWNLOADED OR PRINTED

ENSTROM F-28/280 SERIES ILLUSTRATED PARTS CATALOG

PART NUMBER INDEX SECTIONS 3 THROUGH 7 AND 9 THROUGH 12 FIGURES 8-1 THROUGH 8-11

| Part Number | Figure | Item | Part Number | Figure | Item |
|--------------|--------|------|-----------------|--------|------|
| 7270-1-3 | 11-5 | 190 | 755-2-2-6 | 10-3 | – |
| 7270-1-3 | 11-7 | 540 | 755-2-2-6 | 10-3 | – |
| 7270-1-35 | 11-8 | 240 | 755-2-2-6 | 10-4 | 140 |
| 7270-1-35 | 11-9 | 130 | 755-2-2-6 | 10-4 | 240 |
| 7270-1-35 | 11-7 | 510 | 770001-5 | 11-8 | 285 |
| 7270-1-5 | 11-8 | 250 | 770001-5 | 11-9 | 205 |
| 7270-1-5 | 11-9 | 140 | 770001-5 | 11-7 | 600 |
| 7270-1-5 | 11-5 | 180 | 773-4/50 VDC | 11-1 | 30 |
| 7270-1-5 | 11-7 | 520 | 773-4/50 VDC | 11-5 | – |
| 7270-1-7 1/2 | 11-7 | 550 | 773-8/50 VDC | 11-5 | – |
| 7270-1-7 1/2 | 11-8 | 260 | 77611 | 3-27 | 80 |
| 7270-1-7 1/2 | 11-9 | 145 | 77611 | 3-28 | 140 |
| 7270-1-7 1/2 | 11-5 | 170 | 786-4 | 3-24 | 120 |
| 7270-1-7 1/2 | 11-1 | – | 786-4-CU | 3-24 | 120 |
| 7274-2-10 | 11-8 | 205 | 79012-062-0500 | 12-4 | 220 |
| 7274-2-10 | 11-7 | 440 | 79-012-062-0500 | 11-18 | 95 |
| 7274-2-2 1/2 | 11-7 | 420 | 79-028-125-0687 | 7-1 | 240 |
| 7274-2-2 1/2 | 11-8 | 195 | 79-048-250-0625 | 5-5 | 60 |
| 7274-2-3 | 11-8 | 215 | 8 X 1/2 | 7-10 | 260 |
| 7274-2-3 | 11-7 | 460 | 8 X 1/2 | 7-10 | 470 |
| 7274-2-5 | 11-8 | 210 | 8 X 1/2 | 7-22 | 290 |
| 7274-2-5 | 11-7 | 450 | 8 X 3/8 | 7-7 | 30 |
| 7277-5-2 | 11-9 | 115 | 8 X 3/8 | 7-22 | 300 |
| 7277-5-3 | 11-9 | 110 | 8000 B.786 | 11-5 | 50 |
| 7277-5-5 | 11-9 | 120 | 8000 B.852 | 11-7 | 400 |
| 7304DT | 12-10 | 40 | 8000 B.853 | 11-8 | 185 |
| 7304DT | 12-11 | 270 | 8000 B.853 | 11-9 | 95 |
| 732BL | 11-8 | – | 8000 CODE B251 | 11-3 | 60 |
| 732BL | 11-8 | – | 8000-B.852 | 11-5 | 50 |
| 732RTV | 7-20 | – | 8000-B.853 | 11-5 | 50A |
| 732-RTV | 3-16 | 30 | 8000-B160 | 11-2 | 60 |
| 7361 | 5-4 | 80 | 8000-B160 | 11-5 | 50 |
| 74465 | 3-30 | 90 | 8000-B251 | 11-4 | –60A |
| 748-RTV | 11-19 | – | 8000-B251 | 11-5 | 50B |
| 75118 | 3-27 | 80 | 8000-B251 | 11-6 | 30 |
| 75386 | 3-22 | 470 | 8000-B332 | 11-2 | –60A |
| 755-2-2-6 | 10-1 | 6 | 8000T | 11-1 | 170 |
| 755-2-2-6 | 10-2 | 6 | 8000T | 11-4 | 60 |

UNCONTROLLED COPY WHEN DOWNLOADED OR PRINTED

ENSTROM F-28/280 SERIES ILLUSTRATED PARTS CATALOG

PART NUMBER INDEX SECTIONS 3 THROUGH 7 AND 9 THROUGH 12 FIGURES 8-1 THROUGH 8-11

| Part Number | Figure | Item | Part Number | Figure | Item |
|-------------------|--------|------|--------------|--------|------|
| 800-28V-BAT | 11-8 | 100 | 82-19-160-16 | 7-18 | - |
| 803-1710-0331-5 | 11-3 | - | 82-32-101-17 | 7-1 | - |
| 803-1710-0331-504 | 6-11 | 190 | 82-32-101-20 | 3-20 | - |
| 803-1710-0331-504 | 11-1 | - | 82-32-101-20 | 3-20 | - |
| 803-1710-0331-504 | 11-4 | - | 82-32-101-20 | 3-20A | - |
| 803-1710-0331-504 | 11-5 | - | 82-32-101-20 | 3-20A | - |
| 804-1710-0332-5 | 11-3 | - | 82-32-101-20 | 3-20B | - |
| 804-1710-0332-504 | 11-1 | - | 82-32-101-20 | 3-20B | - |
| 804-1710-0332-504 | 11-4 | 240 | 82-32-101-20 | 7-8 | 250 |
| 804-1710-0332-504 | 11-5 | - | 82-32-101-20 | 7-18 | - |
| 8110-CC | 3-22 | 150 | 82-32-101-20 | 7-18 | - |
| 8134K21A1M50 | 11-4 | 20 | 82-32-101-20 | 7-18 | - |
| 8134K21A1M52 | 11-1 | 130 | 82-32-101-20 | 7-18 | - |
| 8134K21A1T50 | 11-1 | 10 | 82-35-302-15 | 3-18 | - |
| 8134K21A1T50 | 11-4 | 10 | 82-35-302-15 | 3-18 | - |
| 8190002 | 3-22 | 370 | 82-35-302-15 | 3-18 | - |
| 8190042 | 3-23 | 370 | 82-35-302-15 | 3-20 | - |
| 82-11-120-16 | 7-9 | 420 | 82-35-302-15 | 3-20 | - |
| 82-11-120-16 | 7-11 | 340 | 82-35-302-15 | 3-20 | - |
| 82-12-120-16 | 7-1 | 580 | 82-35-302-15 | 3-20 | - |
| 82-12-120-16 | 7-8 | 230 | 82-35-302-15 | 3-20 | - |
| 82-12-120-16 | 7-11 | 370 | 82-35-302-15 | 3-20 | - |
| 8-218-N300-9 | 7-21 | 170 | 82-35-302-15 | 3-20 | - |
| 82-19-120-16 | 3-20 | - | 82-35-302-15 | 3-20A | - |
| 82-19-120-16 | 3-20 | - | 82-35-302-15 | 3-20A | - |
| 82-19-120-16 | 3-20A | - | 82-35-302-15 | 3-20A | - |
| 82-19-120-16 | 3-20A | - | 82-35-302-15 | 3-20A | - |
| 82-19-120-16 | 3-20B | - | 82-35-302-15 | 3-20A | - |
| 82-19-120-16 | 3-20B | - | 82-35-302-15 | 3-20A | - |
| 82-19-140-16 | 3-20 | - | 82-35-302-15 | 3-20A | - |
| 82-19-140-16 | 3-20 | - | 82-35-302-15 | 3-20B | - |
| 82-19-140-16 | 3-20A | - | 82-35-302-15 | 3-20B | - |
| 82-19-140-16 | 3-20A | - | 82-35-302-15 | 3-20B | - |
| 82-19-140-16 | 3-20B | - | 82-35-302-15 | 3-20B | - |
| 82-19-140-16 | 3-20B | - | 82-35-302-15 | 3-20B | - |
| 82-19-160-16 | 7-18 | - | 82-35-302-15 | 3-20B | - |
| 82-19-160-16 | 7-18 | - | 82-35-302-15 | 3-20B | - |
| 82-19-160-16 | 7-18 | - | 82-35-302-15 | 7-1 | 590 |

UNCONTROLLED COPY WHEN DOWNLOADED OR PRINTED

ENSTROM F-28/280 SERIES ILLUSTRATED PARTS CATALOG

PART NUMBER INDEX SECTIONS 3 THROUGH 7 AND 9 THROUGH 12 FIGURES 8-1 THROUGH 8-11

| Part Number | Figure | Item | Part Number | Figure | Item |
|---------------|--------|------|-----------------|--------|-------|
| 82-46-101-39 | 7-1 | – | 980-001 | 6-6 | 200 |
| 82-46-101-39 | 7-8 | 260 | 980-001 | 11-20 | 90 |
| 82-46-101-39 | 7-18 | – | 980-001 | 7-8 | 300 |
| 82-46-101-39 | 7-18 | – | 980-001 | 7-9 | 360 |
| 82-46-101-39 | 7-18 | – | 980-003 | 7-8 | 170 |
| 82-46-101-39 | 7-18 | – | A005-1991 | 12-2 | 120 |
| 8-32X1/4 IN | 7-5 | 530 | A01784-6Z-1D | 3-17 | 20 |
| 8473 H5L16 | 5-6 | – | A01787-8Z-1D | 7-7 | 40 |
| 8473H5L16 | 5-7 | 90 | A01787-8Z-1D | 7-10 | 490 |
| 8473RUPH5-L16 | 5-6 | – | A01789-8Z1D | 7-22 | 280 |
| 848-FSO-10-08 | 3-7 | 10 | A01789-8Z-1D | 3-20 | 292 |
| 848-FSO-10-08 | 3-7 | 320 | A01789-8Z-1D | 7-10 | 530 |
| 849-FSO-06-08 | 3-23 | 220 | A06191-8Z-1D | 6-12 | 40 |
| 85-140-16 | 7-11 | 380 | A06191-8Z-1D | 7-10 | 480 |
| 85-34-101-17 | 7-1 | – | A06195-8Z-1D | 7-10 | 630 |
| 85-46-101-39 | 7-1 | – | A-10019-D | 3-23 | 140 |
| 85-9217-06 | 3-30 | 40A | A-10019-E | 3-23 | 140 |
| 883-FS-06X04 | 3-4 | 120 | A10K166 | 7-6 | 650 |
| 8x1/2 | 10-1 | 17 | A-1280-1 | 6-6 | 60 |
| 8x1/2 | 10-2 | 9 | A-1280-2 | 6-6 | 30 |
| 8X1/2 | 3-17 | 90 | A-1280-3 | 6-6 | 30 |
| 8x1/2 | 9-1 | 15 | A1285-C-12 | 6-4 | 80 |
| 8x1/2 | 9-3 | – | A1285-G-12 | 6-4 | 20 |
| 8x1/2 | 9-4 | – | A-1285-G-12 | 6-6 | 20B |
| 8x3/4 | 9-2 | 7 | A1285-R-12 | 6-4 | 10 |
| 8X3/8 | 6-5 | 255 | A-1285-R-12 | 6-6 | 20A |
| 8x3/8 | 9-3 | 20 | A1784-6Z-1 | 3-17 | 20 |
| 8x3/8 | 9-3 | 20A | A1784-6Z-1 | 9-1 | 10 |
| 8x3/8 | 9-4 | – | A1785-6Z1D | 7-5 | 630 |
| 8x3/8 | 9-4 | – | A1787-8Z-1 | 9-1 | 4 |
| 8X5/8 | 3-20 | 291 | A1787-8Z-1 | 7-22 | 280 |
| 951789 | 3-23 | 660 | A1789-8Z1 | 10-1 | 8 |
| 959-3 | 12-12 | 30 | A1789-8Z1 | 10-2 | 8 |
| 959-5 | 4-4 | 130 | A1789-8Z1 | 10-3 | – |
| 96394-01 | 3-30 | –A | A1789-8Z1 | 10-4 | 150 |
| 97CSX-2 24VDC | 6-7 | 190 | A2037 | 12-11 | 110 |
| 980-001 | 3-2 | 270 | A2126 | 12-11 | 100 |
| 980-001 | 4-2 | – | A-218-938517-00 | 8-5 | –180F |

UNCONTROLLED COPY WHEN DOWNLOADED OR PRINTED

ENSTROM F-28/280 SERIES ILLUSTRATED PARTS CATALOG

PART NUMBER INDEX SECTIONS 3 THROUGH 7 AND 9 THROUGH 12 FIGURES 8-1 THROUGH 8-11

| Part Number | Figure | Item | Part Number | Figure | Item |
|----------------|--------|------|----------------|--------|------|
| A350CNIWBKSH28 | 11-8 | 80 | AA8131 | 6-12 | 120 |
| A350CNIWBKSH28 | 11-7 | 180 | AA-832-06 | 11-8 | 485 |
| A413A,HDA,DF | 6-6 | 150 | AA86146 | 5-6 | 170 |
| A421-1 | 11-21 | 1260 | AA-ECD-084-280 | 4-2.1 | 50 |
| A-440 | 6-6 | 100 | ABEC-3 | 12-9 | 160 |
| A457A | 6-6 | 430 | ABM1M-A-C | 11-19 | 120 |
| A469 | 6-6 | 360 | ABM1M-A-C | 6-12 | 90 |
| A470-R | 6-6 | 230 | ABM1M-A-C | 6-2 | - |
| A490T-DF14 | 6-6 | 150A | AC78M | 6-9 | 10 |
| A490T-DF28 | 6-6 | 150B | ACF-50 | 4-2 | - |
| A508-14 | 6-6 | 140 | AD43BSLF | 7-5 | 50 |
| A508-14 | 6-6 | 440 | AD44BSLF | 7-5 | -60 |
| A508-28 | 6-6 | 140 | AD45BSLF | 7-5 | -70 |
| A53C | 3-1 | 30 | AE80664H | 3-3 | - |
| A53C | 3-2 | 30 | AEROSHELL 22 | 5-2 | - |
| A555-H | 6-6 | 420 | AFP5 | 3-1 | 30 |
| A610 | 6-6 | 130 | AFP5 | 3-2 | 30 |
| A612 | 6-6 | 400 | AJ4-30 | 7-9 | 160 |
| A615 | 6-6 | 410 | AJ4-35 | 7-1 | 530 |
| A6195-8Z1D | 9-4 | - | AJW4-30 | 3-2 | 111 |
| A6195-8Z-1D | 9-4 | - | AJW4-30 | 3-20 | - |
| A-740-12 | 10-1 | 19 | AJW4-30 | 3-20 | - |
| A-740-12 | 10-2 | 21 | AJW4-30 | 3-20A | - |
| A-740-12 | 10-3 | 14 | AJW4-30 | 3-20A | - |
| A-740-12 | 10-4 | 220 | AJW4-30 | 3-20B | - |
| A-8110-G | 3-22 | 150 | AJW4-30 | 3-20B | - |
| A8943-632-493 | 11-6 | 70 | AJW4-30 | 3-20B | - |
| A8944-632-493 | 11-6 | 150 | AJW4-30 | 3-20B | - |
| A8970B-1-330 | 11-1 | 390 | ALJF3T | 7-6 | 520 |
| A8970B-1-330 | 11-2 | 290 | ALJFL3T | 7-6 | 450 |
| A8970B-1-330 | 11-3 | 290 | ALU8521LS | 3-31 | - |
| A8970B-1-330 | 11-4 | 280 | AN100C-4 | 12-5 | 790 |
| A8970B-1-330 | 11-5 | - | AN173-17A | 3-11 | 70 |
| A8970B-1-330 | 11-6 | 180 | AN173-21A | 3-11 | 80 |
| A-8970B-1-330 | 6-4 | 350 | AN174-21 | 8-4 | 280 |
| AA-2204 | 6-12 | 80 | AN176-15A | 4-2 | 290 |
| AA-28-14385-15 | 4-2.1 | 10A | AN176-17A | 4-2 | 300 |
| AA-28-14386-1 | 4-2.1 | 40A | AN178-21 | 4-3 | 130 |

UNCONTROLLED COPY WHEN DOWNLOADED OR PRINTED

ENSTROM F-28/280 SERIES ILLUSTRATED PARTS CATALOG

PART NUMBER INDEX SECTIONS 3 THROUGH 7 AND 9 THROUGH 12 FIGURES 8-1 THROUGH 8-11

| Part Number | Figure | Item | Part Number | Figure | Item |
|-------------|--------|------|-------------|--------|------|
| AN178H-65A | 5-4 | 150 | AN315-3L | 7-6 | 440 |
| AN178H-66A | 5-4 | 150 | AN315-3R | 3-10 | 270 |
| AN178H-67A | 5-4 | 150 | AN315-3R | 3-14 | 40 |
| AN178H-70A | 5-4 | 150 | AN315-3R | 3-15 | 40 |
| AN210-1B | 12-5 | 890 | AN315-3R | 3-28 | 230 |
| AN210-2B | 12-5 | 870 | AN315-3R | 3-28 | 280 |
| AN210-3B | 12-5 | 880 | AN315-3R | 3-28 | 280 |
| AN2552-3A | 6-13 | 120 | AN315-3R | 3-28 | 280 |
| AN3-10 | 3-10 | 280 | AN315-3R | 3-28 | 280 |
| AN310-5 | 3-28 | 380 | AN315-3R | 7-6 | 530 |
| AN310-7 | 3-30 | 50A | AN315-3R | 7-5 | 390 |
| AN3-10A | 3-10 | 140 | AN315-4R | 6-2 | – |
| AN3-10A | 3-11 | 130 | AN315-4R | 6-2 | – |
| AN3-10A | 8-11 | 50 | AN315-4R | 6-2 | – |
| AN3-11 | 3-28 | 330 | AN316-12 | 3-24 | 460 |
| AN3-11A | 11-18 | 5 | AN316-12R | 3-15 | 80 |
| AN3-11A | 12-4 | 280 | AN316-12R | 3-24 | 460 |
| AN3-11A | 3-23 | 550 | AN316-12R | 5-3 | 480 |
| AN3-11A | 3-6 | 150 | AN316-3R | 3-14 | 40 |
| AN3-11A | 3-7 | 120 | AN316-3R | 3-15 | 40 |
| AN3-11A | 5-3 | 190 | AN316-4L | 8-11 | 210 |
| AN3-12 | 3-11 | 460 | AN316-4R | 3-11 | – |
| AN3-12A | 11-9 | 210 | AN316-4R | 3-11 | 190 |
| AN3-12A | 3-10 | 210 | AN316-4R | 8-11 | 210 |
| AN3-12A | 3-13 | 70 | AN316-5 | 8-3 | 150 |
| AN3-12A | 4-2 | 425 | AN316-5 | 8-5 | – |
| AN3-12A | 4-2.1 | 130 | AN316-5L | 12-6 | 150 |
| AN3-12A | 5-5 | 250 | AN316-5L | 5-5 | 210 |
| AN3-12A | 11-7 | 610 | AN316-5L | 8-4 | 120 |
| AN3-13 | 3-11 | 420 | AN316-5L | 8-5 | – |
| AN3-13 | 3-14 | 70 | AN316-5L | 12-5 | 190 |
| AN3-13A | 3-10 | 170 | AN316-5R | 12-6 | 170 |
| AN3-13A | 3-12 | 110 | AN316-5R | 5-2 | 160 |
| AN3-13A | 3-13 | 40 | AN316-5R | 5-5 | 190 |
| AN3-13A | 3-26 | 200 | AN316-5R | 8-3 | 150 |
| AN3-14A | 3-23 | 560 | AN316-5R | 8-4 | 110 |
| AN3-14A | 6-13 | 30 | AN316-5R | 8-6A | 120 |
| AN3-14A | 8-5A | 140 | AN316-5R | 12-5 | 310 |

UNCONTROLLED COPY WHEN DOWNLOADED OR PRINTED

ENSTROM F-28/280 SERIES ILLUSTRATED PARTS CATALOG

PART NUMBER INDEX SECTIONS 3 THROUGH 7 AND 9 THROUGH 12 FIGURES 8-1 THROUGH 8-11

| Part Number | Figure | Item | Part Number | Figure | Item |
|-------------|--------|------|-------------|--------|------|
| AN316-6R | 5-6 | – | AN340-6 | 3-16 | 110 |
| AN316-6R | 6-11 | 30 | AN340-6 | 3-26 | 120 |
| AN316-7R | 3-14 | 90 | AN340-6 | 11-20 | 80 |
| AN316-7R | 3-15 | 100 | AN340-6 | 7-1 | – |
| AN316-8R | 3-14 | 90 | AN340-632 | 3-20 | 370 |
| AN316-8R | 3-15 | 100 | AN340-632 | 3-20A | 370 |
| AN316-8R | 5-3 | 500 | AN340-632 | 3-20B | 370 |
| AN3-16A | 8-11 | 90 | AN340-632 | 11-5 | – |
| AN3-16A | 7-15 | 280 | AN340-632 | 11-6 | 80 |
| AN3-16A | 7-16 | 30 | AN340-8 | 10-3 | – |
| AN3-16A | 7-17 | 260 | AN340-8 | 10-4 | 210 |
| AN3-17A | 8-5 | 310 | AN340-8 | 3-2 | 250 |
| AN3-17A | 8-7 | 50 | AN340-8 | 3-20 | 600 |
| AN3-17A | 7-15 | 100 | AN340-8 | 3-20A | 600 |
| AN3-17A | 7-16 | 40 | AN340-8 | 3-20B | 600 |
| AN3-17A | 7-17 | 310 | AN340-8 | 3-22 | 130 |
| AN320-6 | 8-1 | 150 | AN340-8 | 3-23 | 110 |
| AN320-7 | 8-1 | 120 | AN340-8 | 3-24 | 140 |
| AN320-8 | 5-3 | 90 | AN340-8 | 3-4 | 310 |
| AN320-8 | 8-3A | 400 | AN340-8 | 3-5 | 80 |
| AN3-20A | 7-15 | 50 | AN340-8 | 3-6 | 120 |
| AN3-20A | 7-17 | 140 | AN340-8 | 3-7 | 80 |
| AN3-21A | 9-5 | 60 | AN340-8 | 5-1 | 370 |
| AN3-22 | 3-11 | 380 | AN340-8 | 6-1 | – |
| AN3-22A | 5-1 | 120 | AN340-8 | 6-1 | – |
| AN3-22A | 8-11 | 300 | AN340-8 | 6-1 | – |
| AN3-23A | 3-12 | 90 | AN340-8 | 6-1 | – |
| AN3-27A | 7-20 | 140 | AN340-8 | 6-13 | – |
| AN3-3A | 3-20 | 450 | AN340-8 | 6-2 | – |
| AN3-3A | 3-20A | 450 | AN340-8 | 9-1 | 8 |
| AN3-3A | 3-20B | 450 | AN340-8 | 9-2 | 14 |
| AN3-3A | 3-22 | 20 | AN340-8 | 11-13 | 110 |
| AN3-3A | 6-2 | – | AN340-8 | 11-14 | 140 |
| AN3-3A | 6-2 | – | AN340-8 | 11-16 | 80 |
| AN3-3A | 6-3 | 20 | AN340-832 | 11-18 | 50 |
| AN3-3A | 8-5 | 240 | AN340-832 | 12-4 | 120 |
| AN340-4 | 8-9 | 90 | AN340-832 | 3-2 | 250 |
| AN340-4 | 8-10 | 90 | AN340-832 | 3-4 | 310 |

UNCONTROLLED COPY WHEN DOWNLOADED OR PRINTED

ENSTROM F-28/280 SERIES ILLUSTRATED PARTS CATALOG

PART NUMBER INDEX SECTIONS 3 THROUGH 7 AND 9 THROUGH 12 FIGURES 8-1 THROUGH 8-11

| Part Number | Figure | Item | Part Number | Figure | Item |
|-------------|--------|------|-------------|--------|------|
| AN340-832 | 3-9 | 120 | AN3-5A | 3-7 | 330 |
| AN340-832 | 8-3A | 290 | AN3-5A | 5-5 | 310 |
| AN340-832 | 11-17 | 180 | AN3-5A | 7-5 | 870 |
| AN340-832 | 7-1 | 700 | AN3-5A | 7-9 | 90 |
| AN340-832 | 7-2 | 130 | AN3-5A | 7-15 | 240 |
| AN341-516 | 6-13 | – | AN3-5A | 7-16 | 150 |
| AN345-10 | 3-1 | 90 | AN3-6 | 12-7 | 190 |
| AN345-10 | 3-20 | 595 | AN3-6 | 3-13 | 90 |
| AN345-10 | 3-20B | 595 | AN363-524 | 3-3 | 180 |
| AN345-10 | 3-25 | 50 | AN364-1018A | 5-6 | 20 |
| AN345-10 | 6-13 | – | AN364-1032 | 8-5 | 260 |
| AN345-10 | 8-9 | – | AN364-1032 | 8-5A | 160 |
| AN345-10 | 8-10 | – | AN364-1032 | 8-6 | 60 |
| AN345-1032 | 7-5 | 750 | AN364-1032 | 8-7 | 70 |
| AN3-4A | 3-10 | 30 | AN364-1032A | 3-10 | 190 |
| AN3-4A | 3-12 | 20 | AN364-1032A | 3-11 | 160 |
| AN3-4A | 3-20 | 470 | AN364-1032A | 3-13 | 60 |
| AN3-4A | 3-20A | 470 | AN364-1032A | 3-21 | 50 |
| AN3-4A | 3-20B | – | AN364-1032A | 3-26 | 220 |
| AN3-4A | 3-20B | 470 | AN364-1032A | 5-1 | 150 |
| AN3-4A | 3-23 | 20 | AN364-1032A | 5-3 | 460 |
| AN3-4A | 3-6 | 250 | AN364-1032A | 5-5 | 300 |
| AN3-4A | 3-7 | 150 | AN364-1032A | 6-13 | – |
| AN3-4A | 3-7 | 250 | AN364-1032A | 6-13 | – |
| AN3-4A | 6-13 | 186 | AN364-1032A | 6-13 | – |
| AN3-4A | 6-13 | 260 | AN364-1032A | 6-13 | 188 |
| AN3-4A | 9-5 | 40 | AN364-1032A | 6-13 | 195 |
| AN3-4A | 8-6 | 40 | AN364-1032A | 6-14 | 130 |
| AN3-4A | 8-6A | 130 | AN364-1032A | 6-3 | 40 |
| AN3-4A | 7-9 | 380 | AN364-1032A | 8-11 | 70 |
| AN3-4A | 7-10 | 650 | AN364-1032A | 8-6A | 150 |
| AN3-5 | 3-10 | 230 | AN364-1032A | 7-1 | – |
| AN3-5A | 12-3 | 70 | AN364-1032A | 7-3 | 70 |
| AN3-5A | 3-12 | 70 | AN364-1032A | 7-9 | 140 |
| AN3-5A | 3-20 | 500 | AN364-1032A | 7-17 | 110 |
| AN3-5A | 3-20A | 500 | AN364-1216A | 4-2 | 270 |
| AN3-5A | 3-20B | 500 | AN364-1216A | 7-20 | 560 |
| AN3-5A | 3-21 | 20 | AN364-428 | 8-8 | 60 |

UNCONTROLLED COPY WHEN DOWNLOADED OR PRINTED

ENSTROM F-28/280 SERIES ILLUSTRATED PARTS CATALOG

PART NUMBER INDEX SECTIONS 3 THROUGH 7 AND 9 THROUGH 12 FIGURES 8-1 THROUGH 8-11

| Part Number | Figure | Item | Part Number | Figure | Item |
|-------------|--------|------|-------------|--------|------|
| AN364-428A | 3-22 | 180 | AN364-832A | 10-3 | – |
| AN364-428A | 3-22 | 290 | AN364-832A | 10-3 | – |
| AN364-428A | 3-23 | 190 | AN364-832A | 10-3 | – |
| AN364-428A | 5-1 | 490 | AN364-832A | 10-3 | – |
| AN364-428A | 5-1 | 70 | AN364-832A | 10-4 | 270 |
| AN364-428A | 5-5 | 140 | AN364-832A | 10-4 | 410 |
| AN364-428A | 6-13 | – | AN364-832A | 10-4 | 90 |
| AN364-428A | 7-17 | 360 | AN364-832A | 11-19 | 228 |
| AN364-428A | 8-11 | 10 | AN364-832A | 3-2 | 190 |
| AN364-428A | 8-11 | 150 | AN364-832A | 6-6 | 340 |
| AN364-428A | 12-13 | 300 | AN364-832A | 6-7 | 110 |
| AN364-428A | 12-10 | 160 | AN364-832A | 6-7 | 210 |
| AN364-428A | 12-11 | 230 | AN364-832A | 9-2 | 32 |
| AN364-428A | 12-12 | 270 | AN364-832A | 9-3 | 410 |
| AN364-524A | 5-4 | 230 | AN364-832A | 11-11 | 200 |
| AN364-524A | 7-20 | – | AN364-832A | 7-5 | 200 |
| AN364-524A | 7-21 | 30 | AN364-832A | 7-11 | 470 |
| AN364-624A | 4-2 | 320 | AN364-W33A | 7-9 | 390 |
| AN364-624A | 5-3 | 330 | AN365-1032A | 11-18 | 10 |
| AN364-624A | 7-19 | 40 | AN365-1032A | 12-2 | 80 |
| AN364-632A | 6-14 | 40 | AN365-1032A | 3-10 | 160 |
| AN364-632A | 6-4 | – | AN365-1032A | 3-10 | 40 |
| AN364-632A | 6-4 | – | AN365-1032A | 3-11 | 100 |
| AN364-632A | 6-4 | – | AN365-1032A | 3-12 | 50 |
| AN364-632A | 6-4 | – | AN365-1032A | 3-20 | 520 |
| AN364-632A | 6-4 | – | AN365-1032A | 3-20A | 520 |
| AN364-632A | 6-4 | – | AN365-1032A | 3-20B | 520 |
| AN364-632A | 6-6 | 190 | AN365-1032A | 3-23 | 580 |
| AN364-632A | 9-2 | 41 | AN365-1032A | 3-6 | 170 |
| AN364-632A | 12-13 | 330 | AN365-1032A | 3-6 | 270 |
| AN364-632A | 7-1 | – | AN365-1032A | 3-7 | 140 |
| AN364-632A | 7-11 | 440 | AN365-1032A | 5-3 | 220 |
| AN364-632A | 12-11 | 50 | AN365-1032A | 5-6 | – |
| AN364-632A | 12-12 | 300 | AN365-1032A | 6-13 | 61 |
| AN364-820A | 5-3 | 130 | AN365-1032A | 11-11 | 90 |
| AN364-820A | 5-4 | 120 | AN365-1032A | 7-9 | 110 |
| AN364-832 | 6-5 | 32 | AN365-1032A | 7-9 | 350 |
| AN364-832 | 9-3 | 360 | AN365-1032A | 7-15 | 70 |

UNCONTROLLED COPY WHEN DOWNLOADED OR PRINTED

ENSTROM F-28/280 SERIES ILLUSTRATED PARTS CATALOG

PART NUMBER INDEX SECTIONS 3 THROUGH 7 AND 9 THROUGH 12 FIGURES 8-1 THROUGH 8-11

| Part Number | Figure | Item | Part Number | Figure | Item |
|-------------|--------|------|-------------|--------|------|
| AN365-1032A | 7-16 | 60 | AN365-832A | 3-10 | 100 |
| AN365-1032A | 7-17 | 160 | AN365-832A | 3-2 | 190 |
| AN365-1032A | 7-20 | 160 | AN365-832A | 6-11 | 221 |
| AN365-1032C | 3-27 | 70 | AN365-832A | 8-6 | 120 |
| AN365-1032C | 3-28 | 110 | AN365-832A | 8-6A | 60 |
| AN365-1032C | 3-28 | 110 | AN365-832A | 7-5 | 380 |
| AN365-1032C | 3-28 | 50 | AN365-832A | 7-8 | 50 |
| AN365-425 | 7-22 | 90 | AN365-832A | 7-9 | 320 |
| AN365-428 | 5-6 | 310 | AN3-6A | 3-21 | 20 |
| AN365-428 | 5-7 | 80 | AN3-6A | 3-3 | – |
| AN365-428A | 12-2 | 110 | AN3-6A | 6-13 | – |
| AN365-428A | 5-4 | 410 | AN3-6A | 7-10 | –620 |
| AN365-428A | 6-2 | – | AN3-7 | 3-10 | 330 |
| AN365-428A | 7-5 | 890 | AN3-7 | 3-14 | 10 |
| AN365-428A | 7-15 | 190 | AN3-7 | 3-15 | 10 |
| AN365-428A | 7-16 | 220 | AN380-2-2 | 10-1 | 11 |
| AN365-428A | 7-17 | 250 | AN380-2-2 | 10-2 | 12 |
| AN365-428A | 7-19 | 100 | AN380-4-8 | 4-2 | 200 |
| AN365-428A | 7-20 | 120 | AN381-2-10 | 12-8 | 250 |
| AN365-524A | 4-1 | 140 | AN381-2-10 | 5-1 | 300 |
| AN365-524A | 7-19 | 70 | AN381-2-10 | 7-6 | 70 |
| AN365-524A | 7-20 | 70 | AN381-2-10 | 8-3 | 50 |
| AN365-624A | 5-4 | 380 | AN381-2-10 | 8-5 | 470 |
| AN365-632A | 3-17 | 130 | AN381-2-10 | 8-5 | 470 |
| AN365-632A | 6-11 | – | AN381-2-12 | 3-24 | 530 |
| AN365-632A | 6-6 | 260 | AN381-2-16 | 12-8 | 90 |
| AN365-632A | 9-3 | 110 | AN381-2-7 | 8-2 | 70 |
| AN365-632A | 9-4 | 100 | AN381-2-7 | 8-3A | 370 |
| AN365-632A | 7-8 | 150 | AN381-2-7 | 8-4 | 300 |
| AN365-632A | 7-9 | 70 | AN381-2-7 | 7-5 | 280 |
| AN365-632A | 7-21 | 280 | AN381-2-8 | 10-3 | – |
| AN365-8 | 10-1 | – | AN381-2-8 | 10-4 | 170 |
| AN365-832 | 10-2 | – | AN381-2-8 | 12-6 | 100 |
| AN365-832 | 7-1 | 80 | AN381-2-8 | 12-6 | 210 |
| AN365-832 | 7-1 | – | AN381-2-8 | 12-7 | 250 |
| AN365-832 | 7-1 | – | AN381-2-8 | 3-10 | 250 |
| AN365-832 | 7-1 | 670 | AN381-2-8 | 3-11 | 320 |
| AN365-832 | 7-4 | 150 | AN381-2-8 | 3-13 | 110 |
| | | | AN381-2-8 | 3-14 | 60 |

UNCONTROLLED COPY WHEN DOWNLOADED OR PRINTED

ENSTROM F-28/280 SERIES ILLUSTRATED PARTS CATALOG

PART NUMBER INDEX SECTIONS 3 THROUGH 7 AND 9 THROUGH 12 FIGURES 8-1 THROUGH 8-11

| Part Number | Figure | Item | Part Number | Figure | Item |
|-------------|--------|------|-------------|--------|------|
| AN381-2-8 | 3-15 | 60 | AN4-12A | 5-5 | 100 |
| AN381-2-8 | 3-28 | 320 | AN4-12A | 8-8 | 30 |
| AN381-2-8 | 5-2 | 110 | AN4-13 | 12-6 | 10 |
| AN381-2-8 | 5-3 | 410 | AN4-13 | 12-10 | 250 |
| AN381-2-8 | 5-5 | 170 | AN4-13A | 3-22 | 270 |
| AN381-2-8 | 8-3 | 100 | AN4-13A | 3-23 | 290 |
| AN381-2-8 | 8-4 | 190 | AN4-13A | 5-5 | 350 |
| AN381-2-8 | 8-5 | 420 | AN4-14 | 12-6 | 190 |
| AN381-2-8 | 8-5A | 130 | AN4-14 | 5-1 | 260 |
| AN381-2-8 | 8-6A | 200 | AN4-14 | 5-3 | 550 |
| AN381-2-8 | 12-10 | 210 | AN4-14 | 8-3 | 70 |
| AN381-3-12 | 8-5A | 80 | AN4-14A | 7-13 | 50 |
| AN381-3-16 | 4-3 | 170 | AN4-14A | 7-19 | 80 |
| AN381-3-16 | 8-1 | 140 | AN4-14A | 7-20 | 290 |
| AN381-3-16 | 8-3A | 410 | AN4-15A | 5-1 | 10 |
| AN386-2-7A | 12-2 | 60 | AN4-16 | 3-11 | 330 |
| AN386-2-7A | 5-6 | - | AN416-1 | 12-5 | 110 |
| AN386-2-8A | 12-2 | 50 | AN4-17 | 8-5 | 370 |
| AN393-11 | 3-28 | 300 | AN4-17A | 5-6 | 290 |
| AN393-11 | 7-5 | 270 | AN4-17A | 5-7 | 60 |
| AN394-17 | 5-5 | 150 | AN4-17A | 8-8 | 110 |
| AN3C10A | 3-29 | 100 | AN4-20A | 7-15 | 270 |
| AN3C4A | 3-27 | 60 | AN4-20A | 7-16 | 200 |
| AN3C4A | 3-28 | 100 | AN4-20A | 7-17 | 230 |
| AN3C4A | 3-28 | 100 | AN4-21A | 7-15 | 170 |
| AN3C4A | 3-28 | 40 | AN4-21A | 7-16 | 110 |
| AN3H3A | 12-1 | 240 | AN4-22A | 7-15 | 260 |
| AN3H5A | 12-3 | 70A | AN4-22A | 7-17 | 280 |
| AN3H-5A | 5-3 | 450 | AN4-23 | 8-3A | 310 |
| AN3H6A | 5-3 | 450 | AN4-23A | 5-1 | 220 |
| AN4076-1 | 11-19 | 130 | AN426A3-3 | 3-19 | - |
| AN4076-1 | 5-6 | 160 | AN4-27A | 7-20 | 550 |
| AN4-10A | 8-11 | 130 | AN42B-14 | 7-1 | - |
| AN4-10A | 8-8 | 70 | AN42B-C11A | 7-3 | 50 |
| AN4-11 | 5-3 | 360 | AN42B-C12A | 7-3 | 50 |
| AN4-11 | 8-4 | 230 | AN42B-C14A | 7-3 | 50 |
| AN4-11A | 7-17 | 340 | AN4-30A | 7-20 | 100 |
| AN4-11A | 8-8 | 140 | AN4-31A | 7-22 | 70 |

UNCONTROLLED COPY WHEN DOWNLOADED OR PRINTED

ENSTROM F-28/280 SERIES ILLUSTRATED PARTS CATALOG

PART NUMBER INDEX SECTIONS 3 THROUGH 7 AND 9 THROUGH 12 FIGURES 8-1 THROUGH 8-11

| Part Number | Figure | Item | Part Number | Figure | Item |
|-------------|--------|------|---------------|--------|------|
| AN4-34A | 7-20 | 240 | AN502-10-10 | 7-16 | 240 |
| AN4-37 | 3-11 | 270 | AN502-10-14 | 3-28 | 220 |
| AN4-37A | 7-20 | 270 | AN502-10-8 | 3-20 | 400 |
| AN4-3A | 3-22 | 160 | AN502-10-8 | 3-20A | 400 |
| AN4-3A | 3-23 | 180 | AN502-10-8 | 3-20B | 400 |
| AN4-3A | 6-13 | 180 | AN502-10-8 | 3-9 | 130 |
| AN4-3A | 6-2 | – | AN502-10-8 | 8-9 | – |
| AN4-3A | 6-2 | – | AN502-10-8 | 8-10 | – |
| AN4-3A | 6-2 | – | AN503-10-10 | 8-2 | 10 |
| AN4-3A | 6-2 | – | AN503-10-10 | 8-3A | 170 |
| AN4-4A | 5-6 | 220 | AN503-10-18 | 12-8 | 260 |
| AN4-4A | 7-13 | 30 | AN503-10-18 | 12-5 | 690 |
| AN4-4A | 12-10 | 180 | AN503-10-6 | 5-2 | 50 |
| AN4-5A | 5-3 | 150 | AN503-10-8 | 12-7 | 240 |
| AN4-5A | 12-13 | 280 | AN503-10-8 | 3-3 | 210 |
| AN4-5A | 12-12 | 250 | AN503-416-10 | 3-20 | 530 |
| AN4-6A | 5-1 | 470 | AN503-416-10 | 3-20 | 530 |
| AN4-6A | 9-5 | 10 | AN503-416-10 | 3-20A | 530 |
| AN4-7A | 12-2 | 90 | AN503-416-10 | 3-20B | 530 |
| AN4-7A | 5-4 | 390 | AN503-416-10 | 3-20B | 530 |
| AN4-7A | 7-5 | 950 | AN503-416-10 | 3-4 | 40 |
| AN4-7A | 7-13 | 10 | AN503-416-28 | 3-20 | 530 |
| AN4C5A | 3-29 | 60 | AN503-416-28 | 3-20A | 530 |
| AN4H10A | 4-4 | 170 | AN503-416-28 | 3-20B | 530 |
| AN4H-12A | 3-11 | 260 | AN503-416-28 | 3-7 | 360 |
| AN4H15A | 4-4 | 280 | AN503-8-6 | 8-7 | – |
| AN4H4A | 12-13 | 270 | AN503-8-6 | 8-10 | 380 |
| AN4H-4A | 12-9 | 120 | AN503-8-8 | 8-9 | 130 |
| AN4H-4A | 12-11 | 170 | AN503-8-8 | 8-9 | 380 |
| AN4H-4A | 12-12 | 240 | AN503-8-8 | 8-10 | 130 |
| AN4H-5A | 12-10 | 300 | AN507-1032-8 | 7-5 | 460 |
| AN4H-5A | 12-11 | 210 | AN507-1032R14 | 6-13 | 130 |
| AN500-416-7 | 3-23 | 160 | AN507-632-5 | 7-1 | 500 |
| AN500-6-8 | 3-26 | 110 | AN507-632R12 | 6-4 | 100 |
| AN502-10-10 | 8-3A | 260 | AN507-632R14 | 6-6 | 170 |
| AN502-10-10 | 8-9 | 20 | AN507-632R24 | 6-6 | 160 |
| AN502-10-10 | 8-10 | 20 | AN507-632R5 | 7-11 | 420 |
| AN502-10-10 | 7-15 | 140 | AN507-632R8 | 6-4 | 50 |

UNCONTROLLED COPY WHEN DOWNLOADED OR PRINTED

ENSTROM F-28/280 SERIES ILLUSTRATED PARTS CATALOG

PART NUMBER INDEX SECTIONS 3 THROUGH 7 AND 9 THROUGH 12 FIGURES 8-1 THROUGH 8-11

| Part Number | Figure | Item | Part Number | Figure | Item |
|----------------|--------|------|-------------|--------|------|
| AN507-632R8 | 6-6 | 210 | AN515-6R7 | 3-17 | 110 |
| AN507-632R8 | 6-6 | 380 | AN515-6R8 | 3-26 | 110 |
| AN507-832-16 | 6-9 | 50 | AN515-8-10 | 6-1 | 130 |
| AN507-832R10 | 11-20 | 120 | AN515-8-10 | 6-1 | 70 |
| AN507-832R7 | 7-2 | 100 | AN515-8-10 | 11-14 | – |
| AN507-832R9 | 7-1 | 680 | AN515-8-16 | 3-22 | 100 |
| AN507-8R9 | 7-4 | 110 | AN515-8-16 | 11-14 | 110 |
| AN507-B-632-R6 | 11-6 | 430 | AN515-8-16 | 12-9 | 210 |
| AN507C1032-12 | 7-1 | 820 | AN515-8-20 | 11-14 | 170 |
| AN507C-1032-12 | 7-1 | – | AN515-8-24 | 11-14 | – |
| AN507C-632-8 | 7-1 | 300 | AN515-8-7 | 10-1 | 20 |
| AN507C-832-12 | 7-1 | 280 | AN515-8-7 | 10-2 | 22 |
| AN509-10R16 | 6-13 | 192 | AN515-8-8 | 3-2 | 230 |
| AN509-10R38 | 3-12 | 80 | AN515-8-8 | 6-1 | 110 |
| AN509-832R4 | 6-11 | 240 | AN515-8-8 | 6-1 | 50 |
| AN509-8R10 | 7-4 | 140 | AN515-8-8 | 11-14 | 160 |
| AN509-8R12 | 7-1 | 870 | AN515-8R10 | 3-22 | 400 |
| AN509-8R16 | 7-4 | 280 | AN515-8R10 | 3-23 | 80 |
| AN509-8R18 | 7-1 | 60 | AN515-8R10 | 3-24 | 240 |
| AN5-10 | 8-5 | 430 | AN515-8R10 | 3-4 | 280 |
| AN5-11 | 8-4 | 200 | AN515-8R10 | 3-5 | 50 |
| AN5-11 | 8-5 | 520 | AN515-8R10 | 3-6 | 90 |
| AN5-11 | 8-6A | 160 | AN515-8R10 | 3-7 | 50 |
| AN5-11A | 3-3 | 170 | AN515-8R10 | 11-13 | 100 |
| AN5-12 | 8-3 | 20 | AN515-8R10 | 11-16 | 120 |
| AN5-12 | 8-5 | 510 | AN515-8R12 | 3-4 | 280 |
| AN5-13 | 8-5A | 90 | AN515-8R14 | 6-11 | 60 |
| AN515-10-16 | 12-10 | 280 | AN515-8R16 | 3-22 | 100 |
| AN515-10-6 | 3-1 | 60 | AN515-8R16 | 11-13 | 150 |
| AN515-4R12 | 8-9 | 60 | AN515-8R20 | 3-24 | 250 |
| AN515-4R12 | 8-10 | 60 | AN515-8R7 | 10-3 | – |
| AN515-6-6 | 3-20 | 340 | AN515-8R7 | 10-3 | 7 |
| AN515-6-6 | 3-20A | 340 | AN515-8R7 | 10-3 | 8 |
| AN515-6-6 | 3-20B | 340 | AN515-8R7 | 3-17 | 140 |
| AN515-6-6 | 6-4 | 260 | AN515-8R7 | 3-20 | 430 |
| AN515-6-6 | 6-4 | 300 | AN515-8R7 | 3-20A | 430 |
| AN515-6-R11 | 6-5 | 190 | AN515-8R7 | 3-20B | 430 |
| AN515-6R3 | 11-17 | 20 | AN515-8R7 | 3-6 | 230 |

UNCONTROLLED COPY WHEN DOWNLOADED OR PRINTED

ENSTROM F-28/280 SERIES ILLUSTRATED PARTS CATALOG

PART NUMBER INDEX SECTIONS 3 THROUGH 7 AND 9 THROUGH 12 FIGURES 8-1 THROUGH 8-11

| Part Number | Figure | Item | Part Number | Figure | Item |
|---------------|--------|------|---------------|--------|------|
| AN515-8R7 | 3-7 | 250 | AN520-832R8 | 7-10 | 270 |
| AN515-8R7 | 3-7 | 280 | AN5-22 | 5-1 | 400 |
| AN515-8R8 | 10-2 | – | AN5-22A | 7-20 | 420 |
| AN515-8R8 | 10-3 | – | AN525-1032-8 | 7-9 | 330 |
| AN515-8R8 | 10-4 | 180 | AN525-1032R12 | 7-17 | 90 |
| AN515-8R8 | 10-4 | 230 | AN525-10R10 | 7-6 | 360 |
| AN515-8R8 | 10-4 | 50 | AN525-10R24 | 6-13 | 70 |
| AN515-8R8 | 12-4 | 90 | AN525-10R8 | 7-10 | 590 |
| AN515-8R8 | 3-19 | 140 | AN525-832-18 | 7-1 | 640 |
| AN515-8R8 | 3-2 | 260 | AN525-832R10 | 11-19 | 185 |
| AN515-8R8 | 3-20 | 570 | AN525-832R10 | 9-2 | 30 |
| AN515-8R8 | 3-20A | 570 | AN525-832R10 | 9-3 | 370 |
| AN515-8R8 | 3-20B | 570 | AN525-832R10 | 7-5 | 450 |
| AN515-8R8 | 3-24 | 130 | AN525-832R10 | 7-10 | 70 |
| AN515-8R8 | 11-17 | 150 | AN525-832R10 | 7-12 | 50 |
| AN515-8R8 | 7-9 | 300 | AN525-832R14 | 6-11 | 150 |
| AN515-8R8 | 7-9 | 400 | AN525-832R14 | 9-3 | 370A |
| AN515-8-R8 | 11-18 | 40 | AN525-832R18 | 3-24 | 250 |
| AN515-8R8-832 | 3-2 | 230 | AN525-832R22 | 3-25 | 90 |
| AN515B-6-R12 | 11-6 | 50 | AN525-832R6 | 3-1 | 160 |
| AN515B-6-R14 | 11-5 | – | AN525-832R6 | 6-5 | 220 |
| AN515B-6-R14 | 11-6 | 140 | AN525-832R6 | 7-6 | 260 |
| AN515B-6-R16 | 11-6 | 60 | AN525-832R6 | 8-6A | 40 |
| AN515B-6-R18 | 11-6 | 130 | AN525-832R6 | 7-1 | 440 |
| AN515-B6R3 | 11-8 | 130 | AN525-832R6 | 7-8 | 110 |
| AN515-B6R3 | 11-9 | – | AN525-832R7 | 7-1 | 410 |
| AN515-B6R3 | 11-7 | 330 | AN525-832R7 | 7-5 | 600 |
| AN515B-6-R6 | 11-6 | 220 | AN525-832R7 | 7-11 | 450 |
| AN515B-6-R7 | 11-6 | 380 | AN525-832R8 | 11-19 | 205 |
| AN515B-8-R12 | 11-8 | 515 | AN525-832R8 | 3-23 | 50 |
| AN5-16 | 8-4 | 140 | AN525-832R8 | 3-25 | 20 |
| AN517-8R7 | 3-9 | 90 | AN525-832R8 | 6-10 | 60 |
| AN5-17A | 7-20 | 400 | AN525-832R8 | 11-11 | 180 |
| AN520-10-16 | 12-11 | 310 | AN525-832R8 | 11-16 | 60 |
| AN520-10-16 | 12-12 | 230 | AN525-832R8 | 7-5 | 180 |
| AN520-10-40 | 12-11 | 340 | AN525-832R8 | 7-5 | 310 |
| AN520-10-40 | 12-12 | 330 | AN525-832R8 | 7-5 | 820 |
| AN520-10-9 | 7-9 | 120 | AN525-832R8 | 7-8 | 30 |

UNCONTROLLED COPY WHEN DOWNLOADED OR PRINTED

ENSTROM F-28/280 SERIES ILLUSTRATED PARTS CATALOG

PART NUMBER INDEX SECTIONS 3 THROUGH 7 AND 9 THROUGH 12 FIGURES 8-1 THROUGH 8-11

| Part Number | Figure | Item | Part Number | Figure | Item |
|--------------|--------|------|--------------|--------|------|
| AN525-832R8 | 7-10 | 100 | AN526-6R6 | 3-16 | 80 |
| AN525-832R8 | 7-12 | 40 | AN526-6R8 | 7-3 | 130 |
| AN525-832R8 | 7-15 | 120 | AN526-6R8 | 7-4 | 360 |
| AN525-832R8 | 7-16 | 260 | AN526-832-5 | 3-2 | 260 |
| AN525-8R16 | 7-4 | 180 | AN526-832-8 | 7-8 | 180 |
| AN525-8R20 | 6-5 | 30 | AN526-832R10 | 6-11 | 210 |
| AN525-8R6 | 5-1 | 340 | AN526-832R10 | 6-5 | 240 |
| AN525-8R7 | 7-9 | - | AN526-832R10 | 6-7 | 30 |
| AN525-8R8 | 7-8 | 320 | AN526-832R10 | 7-12 | 50 |
| AN526-1032-6 | 12-9 | 200 | AN526-832R6 | 6-4 | 200 |
| AN526-1032R6 | 6-14 | 110 | AN526-832R7 | 10-4 | 300 |
| AN526-1032R8 | 3-20 | 565 | AN526-832R7 | 10-4 | 390 |
| AN526-1032R8 | 3-20A | 565 | AN526-832R7 | 3-10 | 80 |
| AN526-1032R8 | 3-20B | 565 | AN526-832R7 | 6-11 | 210 |
| AN526-1032R8 | 3-20B | 565 | AN526-832R8 | 10-3 | 12 |
| AN526-1032R8 | 3-5A | 150 | AN526-832R8 | 11-19 | 226 |
| AN526-1032R8 | 6-13 | - | AN526-832R8 | 3-2 | 120 |
| AN526-1032R8 | 11-11 | 70 | AN526-832R8 | 6-10 | 60 |
| AN526-1032R8 | 7-5 | 510 | AN526-832R8 | 6-13 | 250 |
| AN526-632-5 | 7-1 | - | AN526-832R8 | 6-5 | 210 |
| AN526-632R10 | 9-2 | 39 | AN526-832R8 | 6-5 | 40 |
| AN526-632R12 | 11-19 | 45 | AN526-832R8 | 6-6 | 320 |
| AN526-632R16 | 6-5 | - | AN526-832R8 | 6-7 | 90 |
| AN526-632R16 | 6-5 | - | AN526-832R8 | 6-8 | 40 |
| AN526-632R4 | 5-4 | 340 | AN526-832R8 | 9-1 | 6 |
| AN526-632R5 | 6-14 | 20 | AN526-832R8 | 9-2 | 12 |
| AN526-632R6 | 6-6 | 250 | AN526-832R8 | 9-3 | 270 |
| AN526-632R6 | 11-20 | 40 | AN526-832R8 | 9-4 | 240 |
| AN526-632R6 | 7-9 | 50 | AN526-832R8 | 7-5 | 180 |
| AN526-632R7 | 6-4 | 130 | AN526-832R8 | 7-8 | 30 |
| AN526-632R7 | 6-6 | 280 | AN526-832R8 | 7-12 | 40 |
| AN526-632R7 | 11-20 | 50 | AN526-832R8 | 7-15 | 320 |
| AN526-632R8 | 6-4 | 170 | AN526-832R8 | 7-16 | 70 |
| AN526-632R8 | 6-4 | 280 | AN526-832R8 | 7-17 | 120 |
| AN526-632R8 | 6-6 | 310 | AN526-832R9 | 6-5 | 245 |
| AN526-632R8 | 6-6 | 370 | AN526-8-8 | 7-1 | 230 |
| AN526-632R8 | 6-7 | 160 | AN526-8R12 | 7-4 | 60 |
| AN526-632R8 | 7-1 | - | AN526-8R7 | 3-10 | 80 |

UNCONTROLLED COPY WHEN DOWNLOADED OR PRINTED

ENSTROM F-28/280 SERIES ILLUSTRATED PARTS CATALOG

PART NUMBER INDEX SECTIONS 3 THROUGH 7 AND 9 THROUGH 12 FIGURES 8-1 THROUGH 8-11

| Part Number | Figure | Item | Part Number | Figure | Item |
|---------------|--------|------|--------------|--------|------|
| AN526-8R8 | 9-3 | 330 | AN5-44A | 4-1 | 50 |
| AN526C1032-9 | 7-3 | 90 | AN5-4A | 6-13 | 220 |
| AN526-C1032-9 | 7-1 | - | AN5546-1 | 11-19 | 135 |
| AN526C832R8 | 3-22 | 50 | AN5546-1 | 5-6 | 170 |
| AN530-6-6 | 7-1 | 210 | AN5-6A | 7-20 | 60 |
| AN530-6-8 | 9-3 | 40 | AN5C13A | 3-29 | 90 |
| AN530-6-8 | 9-4 | 40 | AN5H10A | 7-13 | 60 |
| AN530-6-8 | 7-1 | - | AN5H-45A | 4-1 | 20 |
| AN530-6R6 | 3-17 | 30 | AN5H-46A | 4-1 | 20 |
| AN530-6R6 | 3-17 | 60 | AN5H-6A | 4-1 | 10 |
| AN530-6R6 | 7-5 | 860 | AN5H7A | 7-13 | 90 |
| AN530-6R8 | 7-5 | 640 | AN6-10A | 5-4 | 360 |
| AN530-8-7 | 7-1 | - | AN6195-8Z-1D | 9-3 | - |
| AN530-8-8 | 10-1 | 7 | AN6195-8Z-1D | 9-3 | - |
| AN530-8-8 | 10-2 | 7 | AN6-22 | 8-5A | 60 |
| AN530-8R8 | 10-3 | 4 | AN6227-6 | 5-6 | - |
| AN530-8R8 | 10-4 | 130 | AN635-632A | 9-4 | 210 |
| AN530-8R8 | 3-17 | 160 | AN665-21R | 7-5 | 400 |
| AN530-8R8 | 3-17 | 180 | AN665-46R | 5-5 | 180 |
| AN530-8R8 | 9-1 | 3 | AN737TW22 | 3-3 | 320 |
| AN530-8R8 | 9-3 | 530 | AN737TW22 | 3-4 | 80 |
| AN530-8R8 | 9-4 | - | AN737TW34-38 | 3-3 | 130 |
| AN530-8R8 | 7-9 | 210 | AN73A3 | 5-3 | 430 |
| AN530C10-8 | 3-28 | - | AN742-40 | 10-1 | - |
| AN530C8-8 | 3-27 | - | AN742D28 | 3-5A | 90 |
| AN531-6-6 | 7-5 | 590 | AN742D28 | 3-5A | 170 |
| AN531-6R10 | 9-4 | 80 | AN742D38 | 10-3 | - |
| AN531-6R6 | 7-1 | 130 | AN742D48 | 10-3 | - |
| AN531-6R6 | 7-4 | 400 | AN742D48 | 10-3 | 15 |
| AN531-6R8 | 9-3 | 60 | AN742D48 | 10-4 | 250 |
| AN531-6R8 | 9-4 | 60 | AN742D48 | 10-4 | 70 |
| AN531-6R8 | 7-4 | 600 | AN742D-48 | 3-1 | 40 |
| AN5-35A | 5-4 | 210 | AN742-D48 | 10-2 | 28 |
| AN5-35A | 7-19 | 50 | AN742-F6 | 3-20 | 620 |
| AN5-35A | 7-20 | 330 | AN742-F6 | 3-20A | 620 |
| AN536-632R6 | 7-8 | 130 | AN742-F6 | 3-20B | 620 |
| AN5-37A | 7-20 | 300 | AN742F8 | 5-5 | 290 |
| AN5-43A | 4-1 | 50 | AN743-13 | 10-1 | 21 |

UNCONTROLLED COPY WHEN DOWNLOADED OR PRINTED

ENSTROM F-28/280 SERIES ILLUSTRATED PARTS CATALOG

PART NUMBER INDEX SECTIONS 3 THROUGH 7 AND 9 THROUGH 12 FIGURES 8-1 THROUGH 8-11

| Part Number | Figure | Item | Part Number | Figure | Item |
|-------------|--------|------|-------------|--------|------|
| AN743-13 | 10-2 | 23 | AN815-4D | 11-9 | 270 |
| AN743-13 | 10-3 | 17 | AN815-4D | 11-10 | 100 |
| AN743-13 | 10-4 | 470 | AN815-4D | 11-12 | 40 |
| AN743-13 | 11-15 | 110 | AN815-4D | 11-13 | 70 |
| AN743-13 | 11-19 | 230 | AN815-4D | 11-15 | 60 |
| AN743-13 | 3-24 | - | AN815-6 | 3-23 | - |
| AN743-13 | 3-24 | - | AN815-6 | 3-6 | 70 |
| AN743-13 | 3-24 | - | AN815-6 | 3-8 | 80 |
| AN743-13 | 3-24 | 320 | AN816-4 | 3-4 | 190 |
| AN743-13 | 11-11 | 100 | AN816-4 | 3-8 | 40 |
| AN743-13 | 11-13 | 140 | AN816-4D | 11-8 | - |
| AN743-13 | 11-14 | 150 | AN816-4D | 11-8 | - |
| AN74A11 | 3-3 | 50 | AN816-4D | 11-8 | - |
| AN74A4 | 3-1 | 130 | AN816-4D | 11-8 | - |
| AN74A4 | 3-2 | 290 | AN816-4D | 11-8 | 325 |
| AN74A4 | 3-29 | 80 | AN816-4D | 11-9 | 255 |
| AN74A5 | 3-3 | 110 | AN816-4D | 3-22 | 310 |
| AN7-50 | 3-30 | 10A | AN816-4D | 3-23 | 320 |
| AN75A12 | 8-4 | 260 | AN816-4D | 3-24 | 350 |
| AN75-A12 | 4-2 | 350 | AN816-4D | 3-24 | 80 |
| AN75A41 | 3-23 | 460 | AN816-4D | 3-8 | 40 |
| AN75A5 | 3-29 | 70 | AN816-4D | 11-7 | 730 |
| AN75A5 | 3-3 | 20 | AN816-4D | 11-12 | 10 |
| AN75A6 | 4-2 | 340 | AN816-4D | 11-12 | 130 |
| AN75A6 | 8-4 | 250 | AN816-4D | 11-13 | 180 |
| AN7H7A | 12-13 | 350 | AN816-6 | 3-22 | 230 |
| AN7H-7A | 12-9 | 10 | AN816-6 | 3-23 | 400 |
| AN7H-7A | 12-11 | 10 | AN816-6D | 3-24 | 270 |
| AN7H-7A | 12-12 | 320 | AN816-6D | 5-6 | 110 |
| AN8-10A | 5-4 | 20 | AN818-4D | 11-15 | - |
| AN814-2DL | 12-1 | 70 | AN818-4D | 11-15 | - |
| AN814-2DL | 4-4 | 260 | AN818-4D | 11-15 | - |
| AN815-4 | 3-22 | 440 | AN818-4D | 11-15 | - |
| AN815-4 | 3-23 | 440 | AN818-4D | 11-15 | - |
| AN815-4 | 11-11 | 150 | AN818-4D | 11-15 | - |
| AN815-4D | 3-4 | 170 | AN818-4D | 11-15 | - |
| AN815-4D | 11-7 | 690 | AN818-4D | 11-15 | - |
| AN815-4D | 11-8 | 340 | AN818-4D | 3-24 | 80 |

UNCONTROLLED COPY WHEN DOWNLOADED OR PRINTED

ENSTROM F-28/280 SERIES ILLUSTRATED PARTS CATALOG

PART NUMBER INDEX SECTIONS 3 THROUGH 7 AND 9 THROUGH 12 FIGURES 8-1 THROUGH 8-11

| Part Number | Figure | Item | Part Number | Figure | Item |
|-------------|--------|------|-------------|--------|------|
| AN822-4D | 3-24 | 350 | AN924-4 | 3-24 | 190 |
| AN822-4D | 11-11 | 20 | AN924-4 | 11-14 | 20 |
| AN822-6D | 3-26 | 180 | AN924-4D | 3-2 | 140 |
| AN823-4D | 3-24 | 350 | AN924-4D | 11-10 | 90 |
| AN823-6-6D | 3-6 | 20 | AN924-4D | 11-11 | 130 |
| AN824-4D | 11-12 | 30 | AN924-4W | 11-11 | 130 |
| AN824-4D | 11-15 | 55 | AN924-6D | 3-2 | 210 |
| AN824-4D | 3-24 | 100 | AN931-10-14 | 7-8 | 330 |
| AN824-4D | 3-24 | 100 | AN931-12-17 | 7-8 | 290 |
| AN824-6D | 3-4 | 100 | AN931-12-20 | 3-23 | 490 |
| AN832-4 | 3-24 | 180 | AN931-2-9 | 3-22 | 490 |
| AN832-4D | 3-24 | 180 | AN931-2-9 | 3-23 | 510 |
| AN832-4D | 11-10 | 70 | AN931-3-10 | 6-4 | 290 |
| AN832-4D | 11-11 | 110 | AN931-3-9 | 3-4 | 60 |
| AN833-4 | 11-13 | 60 | AN931-4-16 | 3-24 | 510 |
| AN833-4 | 11-14 | 10 | AN931-4-7 | 6-10 | 70 |
| AN833-4D | 11-15 | 15 | AN931-4-7 | 6-11 | 180 |
| AN834-4 | 3-24 | 380 | AN931-4-7 | 6-7 | 220 |
| AN834-4D | 3-24 | 380 | AN931-4-7 | 6-7 | 70 |
| AN834-4D | 11-11 | 40 | AN931-4-7 | 11-16 | 90 |
| AN900-10 | 5-6 | 120 | AN931-4-7 | 11-17 | 80 |
| AN900-6 | 5-6 | 140 | AN931-5-12 | 3-2 | 170 |
| AN900-8 | 5-6 | 120 | AN931-5-9 | 3-10 | 50 |
| AN911-1D | 3-24 | 360 | AN931-5-9 | 3-2 | 170 |
| AN911-1D | 11-13 | 190 | AN931-6-10 | 3-15 | 140 |
| AN911-4D | 3-24 | 360 | AN931-6-10 | 6-14 | 50 |
| AN911-4D | 11-12 | 120 | AN931-6-10 | 11-17 | 60 |
| AN914-1D | 3-23 | 610 | AN931-8-13 | 3-22 | 330 |
| AN916-516L | 8-6A | 180 | AN931-8-13 | 6-9 | 90 |
| AN917-10 | 11-8 | 455 | AN931-8-13 | 7-8 | 340 |
| AN917-1D | 11-7 | 970 | AN932-D3 | 3-26 | 170 |
| AN917-1D | 11-9 | 365 | AN935-10 | 3-1 | 80 |
| AN917-1D | 11-13 | – | AN935-10 | 3-20 | 585 |
| AN917-4D | 11-12 | 50 | AN935-10 | 3-20A | 585 |
| AN919-1 | 3-22 | 500 | AN935-10 | 3-20B | 585 |
| AN919-1S | 3-23 | 520 | AN935-10 | 6-13 | – |
| AN919-1S | 11-10 | 40 | AN935-10 | 8-9 | – |
| AN924-4 | 11-15 | 25 | AN935-10 | 8-10 | – |

UNCONTROLLED COPY WHEN DOWNLOADED OR PRINTED

ENSTROM F-28/280 SERIES ILLUSTRATED PARTS CATALOG

PART NUMBER INDEX SECTIONS 3 THROUGH 7 AND 9 THROUGH 12 FIGURES 8-1 THROUGH 8-11

| Part Number | Figure | Item | Part Number | Figure | Item |
|-------------|--------|------|-------------|--------|------|
| AN935-10L | 3-25 | 60 | AN935-8 | 11-16 | 70 |
| AN935-10L | 7-5 | 660 | AN935-8 | 11-17 | 170 |
| AN935-4 | 8-9 | 80 | AN935-8L | 7-1 | 660 |
| AN935-4 | 8-10 | 80 | AN935-8L | 7-2 | 120 |
| AN935-416 | 5-6 | 230 | AN935-BBL | 11-8 | 510 |
| AN935-6 | 3-16 | 100 | AN936A10 | 3-20 | 410 |
| AN935-6 | 3-20 | 360 | AN936A10 | 3-20A | 410 |
| AN935-6 | 3-20A | 360 | AN936A10 | 3-20B | 410 |
| AN935-6 | 3-20B | 360 | AN936A1216 | 3-15 | 90 |
| AN935-6 | 11-5 | – | AN936A1216 | 3-24 | 450 |
| AN935-6 | 11-6 | 90 | AN936A516 | 3-24 | 70 |
| AN935-6 | 11-20 | 70 | AN936A516 | 3-24 | 70 |
| AN935-6 | 7-1 | – | AN936A516 | 3-3 | 300 |
| AN935-8 | 10-2 | – | AN936A516 | 6-13 | – |
| AN935-8 | 10-3 | – | AN936-A6 | 3-17 | 70 |
| AN935-8 | 10-4 | 190 | AN936-A6 | 6-6 | 270 |
| AN935-8 | 11-18 | 55 | AN936A716 | 3-14 | 100 |
| AN935-8 | 12-4 | 110 | AN936A716 | 3-15 | 110 |
| AN935-8 | 3-2 | 240 | AN936A8 | 9-3 | 300 |
| AN935-8 | 3-20 | 590 | AN936A8 | 9-4 | 260 |
| AN935-8 | 3-20A | 590 | AN960-10 | 10-3 | – |
| AN935-8 | 3-20B | 590 | AN960-10 | 11-18 | 15 |
| AN935-8 | 3-22 | 120 | AN960-10 | 12-4 | 270 |
| AN935-8 | 3-23 | 100 | AN960-10 | 3-11 | 400 |
| AN935-8 | 3-24 | 150 | AN960-10 | 3-11 | 90 |
| AN935-8 | 3-4 | 300 | AN960-10 | 3-12 | 30 |
| AN935-8 | 3-5 | 70 | AN960-10 | 3-20 | 510 |
| AN935-8 | 3-6 | 110 | AN960-10 | 3-20A | 510 |
| AN935-8 | 3-7 | 70 | AN960-10 | 3-20B | 510 |
| AN935-8 | 3-9 | 110 | AN960-10 | 3-21 | 30 |
| AN935-8 | 5-1 | 350 | AN960-10 | 3-21 | 40 |
| AN935-8 | 6-1 | – | AN960-10 | 3-23 | 30 |
| AN935-8 | 6-1 | – | AN960-10 | 3-23 | 570 |
| AN935-8 | 6-1 | – | AN960-10 | 3-6 | 160 |
| AN935-8 | 6-1 | – | AN960-10 | 3-7 | 130 |
| AN935-8 | 6-13 | – | AN960-10 | 4-2 | – |
| AN935-8 | 11-13 | 130 | AN960-10 | 4-2 | 430 |
| AN935-8 | 11-14 | 130 | AN960-10 | 4-2.1 | 140 |

UNCONTROLLED COPY WHEN DOWNLOADED OR PRINTED

ENSTROM F-28/280 SERIES ILLUSTRATED PARTS CATALOG

PART NUMBER INDEX SECTIONS 3 THROUGH 7 AND 9 THROUGH 12 FIGURES 8-1 THROUGH 8-11

| Part Number | Figure | Item | Part Number | Figure | Item |
|-------------|--------|------|-------------|--------|------|
| AN960-10 | 5-1 | 450 | AN960-10L | 3-6 | 260 |
| AN960-10 | 5-3 | 210 | AN960-10L | 3-7 | 160 |
| AN960-10 | 6-13 | – | AN960-10L | 3-7 | 260 |
| AN960-10 | 6-13 | – | AN960-10L | 4-2.1 | 150 |
| AN960-10 | 6-13 | 193 | AN960-10L | 5-1 | 130 |
| AN960-10 | 12-13 | 240 | AN960-10L | 5-2 | 60 |
| AN960-10 | 8-9 | 30 | AN960-10L | 5-3 | 200 |
| AN960-10 | 8-10 | 30 | AN960-10L | 5-3 | 440 |
| AN960-10 | 7-3 | 100 | AN960-10L | 5-5 | 260 |
| AN960-10 | 7-4 | 160 | AN960-10L | 6-13 | – |
| AN960-10 | 7-5 | 580 | AN960-10L | 6-13 | – |
| AN960-10 | 7-9 | 130 | AN960-10L | 6-13 | 187 |
| AN960-10 | 7-15 | 110 | AN960-10L | 6-13 | 194 |
| AN960-10 | 7-17 | 170 | AN960-10L | 6-13 | 40 |
| AN960-10 | 7-20 | 150 | AN960-10L | 6-13 | 60 |
| AN960-10 | 12-10 | 290 | AN960-10L | 6-14 | 120 |
| AN960-10 | 12-11 | 320 | AN960-10L | 6-2 | – |
| AN960-10 | 12-12 | 220 | AN960-10L | 6-3 | 30 |
| AN960-10L | 12-1 | 230 | AN960-10L | 8-3A | 270 |
| AN960-10L | 12-7 | 200 | AN960-10L | 8-5 | 250 |
| AN960-10L | 12-8 | 270 | AN960-10L | 8-5A | 150 |
| AN960-10L | 3-1 | 70 | AN960-10L | 12-13 | – |
| AN960-10L | 3-10 | 150 | AN960-10L | 8-6 | 50 |
| AN960-10L | 3-10 | 180 | AN960-10L | 8-6A | 140 |
| AN960-10L | 3-12 | 40 | AN960-10L | 8-7 | 60 |
| AN960-10L | 3-13 | 50 | AN960-10L | 7-3 | 60 |
| AN960-10L | 3-14 | 20 | AN960-10L | 7-5 | 430 |
| AN960-10L | 3-15 | 20 | AN960-10L | 7-5 | 880 |
| AN960-10L | 3-20 | 460 | AN960-10L | 7-9 | 100 |
| AN960-10L | 3-20A | 460 | AN960-10L | 7-15 | 60 |
| AN960-10L | 3-20B | 460 | AN960-10L | 7-16 | 160 |
| AN960-10L | 3-21 | 30 | AN960-10L | 7-17 | 150 |
| AN960-10L | 3-21 | 40 | AN960-1216 | 3-24 | 440 |
| AN960-10L | 3-22 | 30 | AN960-1216L | 3-10 | 110 |
| AN960-10L | 3-24 | 540 | AN960-1216L | 3-15 | 120 |
| AN960-10L | 3-25 | 70 | AN960-3 | 3-20 | – |
| AN960-10L | 3-28 | 310 | AN960-3 | 3-20A | – |
| AN960-10L | 3-3 | – | AN960-3 | 3-20B | – |

UNCONTROLLED COPY WHEN DOWNLOADED OR PRINTED

ENSTROM F-28/280 SERIES ILLUSTRATED PARTS CATALOG

PART NUMBER INDEX SECTIONS 3 THROUGH 7 AND 9 THROUGH 12 FIGURES 8-1 THROUGH 8-11

| Part Number | Figure | Item | Part Number | Figure | Item |
|-------------|--------|------|-------------|--------|------|
| AN960-3L | 6-7 | 150 | AN960-416L | 3-29 | 120 |
| AN960-4 | 7-1 | 800 | AN960-416L | 3-3 | 100 |
| AN960-416 | 10-1 | – | AN960-416L | 3-4 | 50 |
| AN960-416 | 12-6 | 60 | AN960-416L | 5-1 | 20 |
| AN960-416 | 12-6 | 70 | AN960-416L | 5-5 | 110 |
| AN960-416 | 3-11 | 350 | AN960-416L | 6-13 | – |
| AN960-416 | 3-22 | 280 | AN960-416L | 8-11 | 140 |
| AN960-416 | 3-23 | 300 | AN960-416L | 8-2 | 50 |
| AN960-416 | 4-4 | 160 | AN960-416L | 8-4 | 240 |
| AN960-416 | 5-1 | 280 | AN960-416L | 12-13 | 260 |
| AN960-416 | 5-3 | 160 | AN960-416L | 8-8 | 40 |
| AN960-416 | 5-3 | 390 | AN960-416L | 7-13 | 40 |
| AN960-416 | 5-4 | 400 | AN960-416L | 7-15 | 180 |
| AN960-416 | 5-5 | 330 | AN960-416L | 7-16 | 210 |
| AN960-416 | 5-6 | 240 | AN960-416L | 7-17 | 240 |
| AN960-416 | 8-3 | 80 | AN960-416L | 7-19 | 90 |
| AN960-416 | 8-4 | 290 | AN960-416L | 7-20 | 110 |
| AN960-416 | 8-5 | 380 | AN960-416L | 7-22 | 80 |
| AN960-416 | 8-8 | 150 | AN960-4L | 10-3 | – |
| AN960-416 | 7-5 | 900 | AN960-4L | 10-4 | 320 |
| AN960-416 | 7-13 | 20 | AN960-4L | 8-9 | 70 |
| AN960-416 | 12-9 | 130 | AN960-4L | 8-10 | 70 |
| AN960-416 | 12-10 | 220 | AN960-4L | 7-2 | 160 |
| AN960-416L | 10-2 | – | AN960-516 | 12-7 | –55 |
| AN960-416L | 10-3 | 6 | AN960-516 | 12-8 | –230 |
| AN960-416L | 10-4 | 160 | AN960-516 | 3-23 | 470 |
| AN960-416L | 3-1 | 140 | AN960-516 | 3-23 | 470 |
| AN960-416L | 3-11 | 360 | AN960-516 | 3-3 | 30 |
| AN960-416L | 3-2 | 300 | AN960-516 | 4-1 | 60 |
| AN960-416L | 3-20 | 390 | AN960-516 | 4-2 | 360 |
| AN960-416L | 3-20 | 540 | AN960-516 | 5-1 | 420 |
| AN960-416L | 3-20A | 390 | AN960-516 | 5-2 | 90 |
| AN960-416L | 3-20A | 540 | AN960-516 | 5-4 | 220 |
| AN960-416L | 3-20B | 390 | AN960-516 | 8-3 | 30 |
| AN960-416L | 3-20B | 540 | AN960-516 | 8-4 | 170 |
| AN960-416L | 3-22 | 170 | AN960-516 | 8-5 | 440 |
| AN960-416L | 3-22 | 170 | AN960-516 | 8-6A | 170 |
| AN960-416L | 3-23 | 170 | AN960-516 | 7-13 | 70 |

UNCONTROLLED COPY WHEN DOWNLOADED OR PRINTED

ENSTROM F-28/280 SERIES ILLUSTRATED PARTS CATALOG

PART NUMBER INDEX SECTIONS 3 THROUGH 7 AND 9 THROUGH 12 FIGURES 8-1 THROUGH 8-11

| Part Number | Figure | Item | Part Number | Figure | Item |
|-------------|--------|------|-------------|--------|------|
| AN960-516 | 7-19 | 60 | AN960-6L | 9-4 | 90 |
| AN960-516L | 12-7 | 50 | AN960-6L | 11-5 | – |
| AN960-516L | 12-8 | 220 | AN960-6L | 11-6 | 100 |
| AN960-516L | 3-29 | 130 | AN960-6L | 7-1 | – |
| AN960-516L | 4-2 | 360 | AN960-6L | 7-8 | 140 |
| AN960-516L | 5-1 | 410 | AN960-6L | 7-9 | 60 |
| AN960-516L | 6-13 | – | AN960-716 | 3-2 | 150 |
| AN960-516L | 8-4 | 210 | AN960-716 | 3-30 | 70 |
| AN960-516L | 8-5 | 450 | AN960-716 | 11-10 | 80 |
| AN960-516L | 8-5A | 100 | AN960-716 | 11-11 | 120 |
| AN960-516L | 7-20 | 80 | AN960-716 | 12-13 | 340 |
| AN960-516L | 7-20 | – | AN960-716 | 12-9 | 20 |
| AN960-516L | 7-21 | 20 | AN960-716 | 12-11 | 20 |
| AN960-6 | 3-20 | 350 | AN960-716 | 12-12 | 310 |
| AN960-6 | 3-20A | 350 | AN960-716L | 3-10 | 120 |
| AN960-6 | 3-20B | 350 | AN960-716L | 3-14 | 110 |
| AN960-6 | 6-6 | 180 | AN960-716L | 3-15 | 130 |
| AN960-6 | 7-21 | 270 | AN960-716L | 3-30 | 80 |
| AN960-616 | 5-6 | 270 | AN960-716L | 8-1 | 100 |
| AN960-616 | 7-19 | 30 | AN960-8 | 10-1 | – |
| AN960-616L | 3-10 | 110 | AN960-8 | 11-18 | 45 |
| AN960-616L | 5-4 | 370 | AN960-8 | 12-4 | 100 |
| AN960-616L | 8-1 | 110 | AN960-8 | 12-4 | 320 |
| AN960-6L | 3-16 | 90 | AN960-8 | 3-1 | 170 |
| AN960-6L | 3-17 | 100 | AN960-8 | 3-7 | 260 |
| AN960-6L | 3-17 | 120 | AN960-8 | 3-7 | 290 |
| AN960-6L | 3-17 | 40 | AN960-8 | 6-1 | – |
| AN960-6L | 6-14 | 30 | AN960-8 | 6-11 | 170 |
| AN960-6L | 6-4 | – | AN960-8 | 6-11 | 220 |
| AN960-6L | 6-4 | – | AN960-8 | 6-13 | – |
| AN960-6L | 6-4 | – | AN960-8 | 6-7 | 120 |
| AN960-6L | 6-4 | – | AN960-8 | 6-7 | 200 |
| AN960-6L | 6-4 | – | AN960-8 | 11-11 | 190 |
| AN960-6L | 6-4 | – | AN960-8 | 7-1 | 160 |
| AN960-6L | 6-6 | 220 | AN960-8 | 7-8 | 120 |
| AN960-6L | 9-2 | 40 | AN960-8 | 12-9 | 220 |
| AN960-6L | 9-3 | 100 | AN960-816 | 4-3 | 140 |
| AN960-6L | 9-4 | 200 | AN960-816 | 5-4 | 160 |

UNCONTROLLED COPY WHEN DOWNLOADED OR PRINTED

ENSTROM F-28/280 SERIES ILLUSTRATED PARTS CATALOG

PART NUMBER INDEX SECTIONS 3 THROUGH 7 AND 9 THROUGH 12 FIGURES 8-1 THROUGH 8-11

| Part Number | Figure | Item | Part Number | Figure | Item |
|-------------|--------|------|-------------|--------|------|
| AN960-816L | 3-24 | 200 | AN960-8L | 6-5 | – |
| AN960-8L | 10-2 | – | AN960-8L | 6-5 | 31 |
| AN960-8L | 10-2 | – | AN960-8L | 6-6 | 330 |
| AN960-8L | 10-3 | – | AN960-8L | 6-7 | 100 |
| AN960-8L | 10-3 | – | AN960-8L | 9-1 | 7 |
| AN960-8L | 10-3 | – | AN960-8L | 9-2 | 13 |
| AN960-8L | 10-3 | – | AN960-8L | 9-3 | 280 |
| AN960-8L | 10-3 | – | AN960-8L | 9-3 | 350 |
| AN960-8L | 10-4 | 200 | AN960-8L | 9-3 | 400 |
| AN960-8L | 10-4 | 260 | AN960-8L | 9-4 | 250 |
| AN960-8L | 10-4 | 400 | AN960-8L | 8-6 | 110 |
| AN960-8L | 10-4 | 80 | AN960-8L | 8-6A | 50 |
| AN960-8L | 11-19 | 227 | AN960-8L | 11-13 | 120 |
| AN960-8L | 3-10 | 90 | AN960-8L | 11-14 | 120 |
| AN960-8L | 3-17 | 150 | AN960-8L | 11-16 | 130 |
| AN960-8L | 3-19 | 150 | AN960-8L | 11-17 | 160 |
| AN960-8L | 3-2 | 180 | AN960-8L | 7-1 | 70 |
| AN960-8L | 3-20 | 440 | AN960-8L | 7-1 | – |
| AN960-8L | 3-20 | 580 | AN960-8L | 7-1 | – |
| AN960-8L | 3-20A | 440 | AN960-8L | 7-1 | 650 |
| AN960-8L | 3-20A | 580 | AN960-8L | 7-1 | – |
| AN960-8L | 3-20B | 440 | AN960-8L | 7-2 | 110 |
| AN960-8L | 3-20B | 580 | AN960-8L | 7-4 | 190 |
| AN960-8L | 3-22 | 110 | AN960-8L | 7-5 | 190 |
| AN960-8L | 3-23 | 90 | AN960-8L | 7-5 | 340 |
| AN960-8L | 3-24 | 160 | AN960-8L | 7-8 | 40 |
| AN960-8L | 3-4 | 290 | AN960-8L | 7-9 | 310 |
| AN960-8L | 3-5 | 60 | AN960-8L | 7-11 | 460 |
| AN960-8L | 3-6 | 100 | AN960-8L | 7-15 | 330 |
| AN960-8L | 3-7 | 60 | AN960-8L | 7-16 | 80 |
| AN960-8L | 3-9 | 100 | AN960-8L | 7-17 | 130 |
| AN960-8L | 4-1 | 310 | AN960-916 | 3-2 | 220 |
| AN960-8L | 5-1 | 360 | AN960C10 | 3-29 | 110 |
| AN960-8L | 6-1 | – | AN960-C10 | 5-6 | – |
| AN960-8L | 6-1 | – | AN960C10L | 11-11 | 80 |
| AN960-8L | 6-1 | – | AN960-C10L | 12-3 | 80 |
| AN960-8L | 6-4 | – | AN960-C10L | 7-1 | – |
| AN960-8L | 6-5 | -- | AN960C1216 | 4-2 | 260 |

UNCONTROLLED COPY WHEN DOWNLOADED OR PRINTED

ENSTROM F-28/280 SERIES ILLUSTRATED PARTS CATALOG

PART NUMBER INDEX SECTIONS 3 THROUGH 7 AND 9 THROUGH 12 FIGURES 8-1 THROUGH 8-11

| Part Number | Figure | Item | Part Number | Figure | Item |
|----------------|--------|------|------------------|--------|------|
| AN960C1216 | 5-3 | 470 | AX142P | 11-20 | 90 |
| AN960C1216 | 8-11 | 270 | B-00264-3 | 6-2 | 50A |
| AN960-C1216 | 7-20 | 570 | B-00375-4 | 6-14 | – |
| AN960-C416 | 7-1 | – | B-00378-5 | 11-8 | 400 |
| AN960C416L | 12-2 | 100 | B-00378-5 | 11-9 | 310 |
| AN960C416L | 12-2 | 100A | B-00378-5 | 6-14 | – |
| AN960C516 | 3-29 | 140 | B-00378-5 | 11-7 | 870 |
| AN960-C516 | 7-1 | 140 | B-1210 | 12-13 | 50 |
| AN960-C516L | 6-13 | 196 | B44-28-2 | 11-18 | 130 |
| AN960C616L | 3-8 | 170 | B-44-28-2 | 12-4 | 150 |
| AN960C816 | 5-3 | 120 | B46-2 1/2 | 8-9 | 230 |
| AN960D10L | 3-26 | 210 | B46-2 1/2 | 8-10 | 230 |
| AN960D10L | 8-2 | 20 | B-4855B-330 | 11-3 | 340 |
| AN960D10L | 7-16 | 50 | B-4855B-330 | 11-4 | 330 |
| AN960D516 | 4-1 | 30 | B-4855B-330 | 11-5 | – |
| AN960D516 | 8-4 | 220 | B-4855B-330 | 11-6 | 40 |
| AN960D616 | 4-2 | 310 | B-710 | 11-18 | 125 |
| AN960D8 | 4-1 | 160 | B-710 | 12-4 | 160 |
| AN960D8 | 4-2 | 230 | BA-15 | 3-1 | – |
| AN960D8 | 4-2 | 40 | BA-15 | 3-2 | – |
| AN960PD10 | 7-9 | 340 | BLDS4-13W/LT | 7-20 | 540 |
| AN960PD10L | 7-17 | 100 | BPF-1/2 | 7-17 | 190 |
| AN960PD416 | 11-20 | 140 | C-2400L4VT-AB | 11-1 | – |
| AN960PD416 | 7-17 | 210 | C2400L4VWAB-RG | 11-5 | 260A |
| AN960PD6L | 11-20 | 60 | C-2400L4VW-AB-RG | 11-2 | – |
| AN960PD6L | 7-11 | 430 | C-2400L4VW-AB-RG | 11-3 | – |
| AN962-C516L | 6-13 | 196 | C-2400L4VW-AB-RG | 11-4 | 270 |
| AN970-3 | 6-13 | 95 | C352TS | 9-2 | 33A |
| AN975-3 | 12-2 | 70 | C352TS | 9-3 | 380 |
| ANL80 | 6-13 | 190 | C6052-8Z-1 | 3-27 | – |
| AP18AU06-02 | 3-6 | 10 | C6191-8Z-1 | 6-12 | 40 |
| AP22-6 | 4-3 | 110 | C-6352-10Z | 3-28 | – |
| AR134-D | 7-1 | 320 | C-836-06 | 6-12 | 120 |
| AS3494-01 | 3-8 | 120 | CA151PL | 3-1 | 30 |
| AS3578-152 | 5-4 | 50 | CA-3251 | 7-1 | 350 |
| ASMK8T | 5-3 | 520 | CAV-110H-U | 3-23 | 620 |
| AWG-22-8503-10 | 11-8 | 490 | CAV-110R | 3-23 | 310 |
| AWG-22-8503-2 | 11-8 | 495 | CAV-110R | 3-23 | 620 |

UNCONTROLLED COPY WHEN DOWNLOADED OR PRINTED

ENSTROM F-28/280 SERIES ILLUSTRATED PARTS CATALOG

PART NUMBER INDEX SECTIONS 3 THROUGH 7 AND 9 THROUGH 12 FIGURES 8-1 THROUGH 8-11

| Part Number | Figure | Item | Part Number | Figure | Item |
|---------------|--------|------|--------------|--------|------|
| CAV-110RV | 3-23 | 620 | CR91484-4-04 | 7-5 | -60 |
| CB35M | 6-10 | 10 | CR91484-4-05 | 7-5 | -70 |
| CB6009CR08-1P | 7-6 | 250 | CR91484-4-3 | 7-5 | 50 |
| CBLS18C | 6-11 | 300 | CR91484-4-4 | 7-2 | 150 |
| CBR1.5I-M | 11-17 | 200 | CR91484-4-4 | 7-5 | -60 |
| CBR1M-M | 11-17 | 190 | CR91484-4-5 | 7-5 | -70 |
| CBR2M-M | 11-17 | 190 | CS-N-346 | 6-12 | 110 |
| CBR3I-M | 11-17 | 200 | D1250 | 7-21 | 190 |
| CBR3S-M | 11-16 | 150 | D6-167 | 6-6 | 300 |
| CBR3S-M | 11-17 | 210 | D6-167 | 11-20 | 30 |
| CC-3251 | 7-4 | 10 | D6810A-12 | 6-4 | 110 |
| CC-3251 | 7-5 | 830 | D6SE-167GY | 11-20 | 30 |
| CCA-1600 | 3-6 | 130 | D-7080A-12 | 6-4 | 140 |
| CCH25-S10 | 11-16 | 40 | DG-167 | 11-16 | 50 |
| CCH25-S10 | 11-17 | 70 | EC-801-807 | 7-5 | - |
| CCR264SS-3-03 | 5-3 | - | ECD001-11 | 12-13 | 140 |
| CCR264-SS3-3 | 6-8 | - | ECD001-11 | 12-12 | 130 |
| CCR264-SS3-3 | 6-8 | - | ECD002-11 | 12-13 | 160 |
| CCR274SS-3-02 | 10-4 | 310 | ECD002-11 | 12-12 | 150 |
| CCR274SS-3-02 | 11-21 | 180 | ECD002-13 | 12-13 | 160 |
| CCR274SS-3-04 | 7-20 | 410 | ECD002-13 | 12-11 | 270 |
| CD7 | 12-1 | -110 | ECD009-11 | 8-1 | 30 |
| CD7L | 5-6 | 138 | ECD013-11 | 8-3A | 100 |
| CF600391-00 | 3-3 | - | ECD013-13 | 8-3A | - |
| CGP-2 | 3-23 | 640 | ECD014-11 | 5-4 | 260 |
| CL30914-2 | 5-4 | - | ECD014-13 | 5-4 | 260 |
| CM1816 | 6-5 | 20 | ECD015-11 | 12-3 | 20 |
| CP25WB+ | 11-19 | 215 | ECD016-11 | 12-7 | 90 |
| CR 17240 | 4-2.1 | 20 | ECD016-11 | 12-8 | 70 |
| CR163-4-4 | 10-3 | 13 | ECD016-11 | 12-5 | - |
| CR163-4-4 | 10-4 | 310 | ECD018-11 | 5-3 | 40 |
| CR-163-4-6 | 7-1 | 790 | ECD020-11 | 5-4 | 90 |
| CR3212-4-4 | 7-4 | 220 | ECD020-13 | 5-4 | 90 |
| CR3213-4-2 | 6-13 | 110 | ECD030-11 | 8-3A | 390 |
| CR3213-4-2 | 7-4 | 130 | ECD030-11 | 12-5 | - |
| CR3213-4-4 | 7-4 | 260 | ECD030-11 | 12-5 | 630 |
| CR3213-5-04 | 6-11 | - | ECD034-11 | 8-9 | 280 |
| CR91484-4-03 | 7-5 | 50 | ECD034-11 | 8-10 | 280 |

UNCONTROLLED COPY WHEN DOWNLOADED OR PRINTED

ENSTROM F-28/280 SERIES ILLUSTRATED PARTS CATALOG

PART NUMBER INDEX SECTIONS 3 THROUGH 7 AND 9 THROUGH 12 FIGURES 8-1 THROUGH 8-11

| Part Number | Figure | Item | Part Number | Figure | Item |
|-------------|--------|------|-------------|--------|------|
| ECD035-11 | 12-10 | 40 | ECD071-103 | 11-8 | 123 |
| ECD036-11 | 5-3 | 300 | ECD071-103 | 11-9 | 47 |
| ECD037-11 | 811 | 250 | ECD071-103 | 11-6 | 240 |
| ECD050-11 | 12-6 | 20 | ECD071-103 | 11-7 | 250 |
| ECD050-11 | 12-6 | 90 | ECD071-104 | 11-8 | 124 |
| ECD050-11 | 12-7 | 140 | ECD071-104 | 11-9 | 48 |
| ECD050-11 | 3-3 | 60 | ECD071-104 | 11-6 | 250 |
| ECD050-11 | 5-1 | 480 | ECD071-104 | 11-7 | 260 |
| ECD050-11 | 7-6 | 40 | ECD071-105 | 11-8 | 125 |
| ECD050-11 | 8-11 | 160 | ECD071-105 | 11-9 | 49 |
| ECD050-11 | 8-3 | 110 | ECD071-105 | 11-6 | 260 |
| ECD050-11 | 8-3A | 320 | ECD071-105 | 11-7 | 270 |
| ECD050-11 | 8-5 | 350 | ECD071-106 | 11-8 | 126 |
| ECD050-11 | 9-5 | 25 | ECD071-106 | 11-9 | 50 |
| ECD050-11 | 12-13 | 290 | ECD071-106 | 11-6 | 270 |
| ECD050-11 | 8-8 | 120 | ECD071-106 | 11-7 | 280 |
| ECD050-11 | 7-1 | 250 | ECD071-107 | 11-8 | 127 |
| ECD050-11 | 12-5 | 380 | ECD071-107 | 11-9 | 51 |
| ECD050-11 | 12-10 | 170 | ECD071-107 | 11-6 | 280 |
| ECD050-11 | 12-11 | 220 | ECD071-107 | 11-7 | 290 |
| ECD050-11 | 12-12 | 260 | ECD071-108 | 11-8 | 128 |
| ECD050-15 | 8-11 | 270 | ECD071-108 | 11-9 | 52 |
| ECD050-17 | 12-13 | 290 | ECD071-108 | 11-6 | 290 |
| ECD050-19 | 8-4 | 150 | ECD071-108 | 11-7 | 300 |
| ECD050-23 | 11-19 | 125 | ECD071-11 | 11-1 | 190 |
| ECD050-25 | 8-11 | 20 | ECD071-11 | 11-2 | 80 |
| ECD060-11 | 7-6 | -175 | ECD071-11 | 11-3 | - |
| ECD060-12 | 7-6 | -185 | ECD071-11 | 11-3 | 80 |
| ECD060-5 | 7-5 | 680 | ECD071-11 | 11-4 | 80 |
| ECD066-1 | 11-18 | 115 | ECD071-11 | 11-5 | 90 |
| ECD066-1 | 12-4 | 180 | ECD071-11 | 11-6 | 230 |
| ECD066-1 | 8-9 | 170 | ECD071-15 | 11-8 | 122 |
| ECD066-1 | 8-10 | 170 | ECD071-15 | 11-9 | 46 |
| ECD069-11 | 6-1 | 90 | ECD071-15 | 11-6 | 230 |
| ECD069-11 | 6-2 | 10 | ECD071-15 | 11-7 | 240 |
| ECD069-11 | 6-2 | 10A | ECD071-3 | 11-1 | 200 |
| ECD069-11 | 6-2 | 50A | ECD071-3 | 11-2 | 90 |
| ECD069-13 | 6-2 | 10B | ECD071-3 | 11-3 | - |

UNCONTROLLED COPY WHEN DOWNLOADED OR PRINTED

ENSTROM F-28/280 SERIES ILLUSTRATED PARTS CATALOG

PART NUMBER INDEX SECTIONS 3 THROUGH 7 AND 9 THROUGH 12 FIGURES 8-1 THROUGH 8-11

| Part Number | Figure | Item | Part Number | Figure | Item |
|-------------|--------|------|-------------|--------|-------|
| ECD071-3 | 11-3 | 90 | ECD072-11 | 11-7 | 390 |
| ECD071-3 | 11-4 | 90 | ECD073-1 | 6-11 | 90 |
| ECD071-3 | 11-5 | 100 | ECD073-3 | 6-11 | 90A |
| ECD071-4 | 11-1 | 220 | ECD075-11 | 6-1 | 30 |
| ECD071-4 | 11-2 | 110 | ECD075-11 | 6-2 | 20 |
| ECD071-4 | 11-3 | – | ECD075-11 | 6-2 | 20A |
| ECD071-4 | 11-3 | 110 | ECD075-11 | 6-2 | 20A |
| ECD071-4 | 11-4 | 110 | ECD075-13 | 6-2 | 20A |
| ECD071-4 | 11-5 | 110 | ECD075-13 | 6-2 | 20A |
| ECD071-5 | 11-1 | 240 | ECD077-11 | 11-8 | 165 |
| ECD071-5 | 11-2 | 130 | ECD077-11 | 11-9 | 70 |
| ECD071-5 | 11-3 | – | ECD077-11 | 11-3 | – |
| ECD071-5 | 11-3 | 130 | ECD077-11 | 11-5 | 80 |
| ECD071-5 | 11-4 | 130 | ECD077-11 | 11-6 | 310 |
| ECD071-5 | 11-5 | 120 | ECD077-11 | 11-7 | 380 |
| ECD071-6 | 11-1 | 210 | ECD078-11 | 11-8 | 465 |
| ECD071-6 | 11-2 | 100 | ECD078-11 | 11-9 | 375 |
| ECD071-6 | 11-3 | – | ECD078-11 | 11-3 | – |
| ECD071-6 | 11-3 | 100 | ECD078-11 | 11-5 | – |
| ECD071-6 | 11-4 | 100 | ECD078-11 | 11-7 | 990 |
| ECD071-6 | 11-5 | 130 | ECD078-11 | 11-12 | –140A |
| ECD071-7 | 11-1 | 230 | ECD079-11 | 11-3 | – |
| ECD071-7 | 11-2 | 120 | ECD079-11 | 11-12 | 140 |
| ECD071-7 | 11-3 | – | ECD083-1 | 7-20 | 460 |
| ECD071-7 | 11-3 | 120 | ECD085-1 | 7-20 | – |
| ECD071-7 | 11-4 | 120 | ECD085-13 | 7-20 | – |
| ECD071-7 | 11-5 | 140 | ECD085-3 | 7-20 | 180 |
| ECD071-8 | 11-1 | 250 | ECD088-11 | 3-25 | 10 |
| ECD071-8 | 11-2 | 140 | ECD088-13 | 3-25 | 10 |
| ECD071-8 | 11-3 | – | ECD088-15 | 3-25 | 10 |
| ECD071-8 | 11-3 | 140 | ECD089-3 | 11-8 | 45 |
| ECD071-8 | 11-4 | 140 | ECD089-3 | 11-9 | 25 |
| ECD071-8 | 11-5 | 150 | ECD089-3 | 11-7 | 70 |
| ECD072-11 | 11-8 | 170 | ECD091-1 | 4-4 | 200 |
| ECD072-11 | 11-9 | 80 | ECD091-1 | 5-3 | 520 |
| ECD072-11 | 11-3 | – | ECD093-11 | 3-24 | 440 |
| ECD072-11 | 11-5 | 70 | ECD108-1 | 11-18 | 60 |
| ECD072-11 | 11-6 | 350 | ECD108-3 | 11-18 | 65 |

UNCONTROLLED COPY WHEN DOWNLOADED OR PRINTED

ENSTROM F-28/280 SERIES ILLUSTRATED PARTS CATALOG

PART NUMBER INDEX SECTIONS 3 THROUGH 7 AND 9 THROUGH 12 FIGURES 8-1 THROUGH 8-11

| Part Number | Figure | Item | Part Number | Figure | Item |
|----------------|--------|------|-----------------|--------|-------|
| ECD108-3 | 12-4 | 20 | F12NE4753-048 | 12-6 | 110 |
| ECD110-11 | 3-8 | 190 | F12NE-4753-048 | 12-7 | 150 |
| ECD111-11 | 3-3 | 260 | F12NE-4753-048 | 5-1 | 290 |
| ECD112-1 | 11-9 | 100 | F12NE-4753-048 | 5-3 | 400 |
| ECD112-3 | 11-9 | 170 | F12NE-4753-048 | 8-3 | 90 |
| ECD4079-1 | 6-11 | 41 | F12NE-4753-048 | 8-3A | 360 |
| ECD4089-11 | 9-4 | 140 | F12NE-4753-048 | 8-4 | 270 |
| ECD4089-15 | 9-4 | 150 | F12NE-4753-048 | 8-5 | 410 |
| EGT-701-4C-A-T | 11-8 | - | F12-NE-4753-048 | 3-11 | 310 |
| EGT-701-4C-A-T | 11-19 | 5 | F12-NE-4753-048 | 12-10 | 200 |
| EL-037360-107 | 3-28 | 10 | F12NE-4753-054 | 8-6A | 190 |
| EL-037360-110 | 3-28 | 70 | F12NE-4753-054 | 12-7 | 60 |
| EL-037360-111 | 3-28 | 70 | F12NE-4753-054 | 12-8 | 240 |
| EL-037360-112 | 3-28 | 120 | F12NE-4753-054 | 5-1 | 440 |
| EL-037360-112 | 3-28 | 120 | F12NE-4753-054 | 5-2 | 100 |
| EL-037360-113 | 3-28 | 60 | F12NE-4753-054 | 8-3 | 40 |
| EL-037360-116 | 3-28 | 130 | F12NE-4753-054 | 8-4 | 180 |
| EL-037360-123 | 3-28 | 130 | F12NE-4753-054 | 8-5 | 460 |
| EL-037360-202 | 3-28 | 20 | F12NE-4753-054 | 8-5A | 120 |
| EL-037360-206 | 3-28 | 80 | F12NE-4753-064 | 8-5A | 70 |
| EL-037360-401 | 3-28 | 30 | F12NE-4753-080 | 4-3 | 160 |
| EL-037360-401 | 3-28 | 90 | F6YN-625BK | 11-20 | 20 |
| EL-099005-401 | 3-27 | 50 | F965 | 5-6 | 190 |
| EL-099005-401 | 3-28 | 30 | FB68-4 | 5-1 | 390 |
| EL-099005-401 | 3-28 | 90 | FIT-221V-3/32 | 11-8 | - |
| ENS1001 | 3-3 | 270 | FIT-221V-3/32 | 11-19 | 170 |
| ENX-0001 | 3-28 | 130 | FN22M-624 | 4-3 | 120 |
| ENX-0001 | 3-3 | - | FN22M-624 | 5-6 | 280 |
| F12-NE-4527-02 | 3-14 | 50 | G08DU | 3-10 | 310 |
| F12NE4717-048 | 8-2 | 60 | G08DU | 3-10 | 310 |
| F12NE4717-070 | 8-1 | 120 | G08DU | 3-13 | 30 |
| F12NE4753-02 | 3-28 | 350 | G199-105-4 | 3-22 | 240 |
| F12NE-4753-02 | 12-7 | 220 | G199-105-4 | 3-23 | 250 |
| F12-NE-4753-02 | 3-10 | 240 | G2-0032 | 8-5 | -180I |
| F12-NE-4753-02 | 3-11 | 410 | G-243 | 6-13 | 80 |
| F12-NE-4753-02 | 3-13 | 100 | G-38517-B-7-A | 8-5 | 180 |
| F12-NE-4753-02 | 3-14 | 50 | G-89 | 3-16 | - |
| F12-NE-4753-02 | 3-15 | 50 | G-89 | 3-16 | - |

UNCONTROLLED COPY WHEN DOWNLOADED OR PRINTED

ENSTROM F-28/280 SERIES ILLUSTRATED PARTS CATALOG

PART NUMBER INDEX SECTIONS 3 THROUGH 7 AND 9 THROUGH 12 FIGURES 8-1 THROUGH 8-11

| Part Number | Figure | Item | Part Number | Figure | Item |
|---------------|--------|------|--------------|--------|------|
| G-89 | 3-16 | – | HFVV3M | 3-28 | 290 |
| G-89 | 3-20 | – | HFVV3M | 3-28 | 290 |
| G-89 | 3-20 | – | HFVV3M | 3-28 | 290 |
| G-89 | 3-20 | – | HFVV3M | 3-28 | 290 |
| G-89 | 3-20 | – | HFVV-3M | 3-10 | 260 |
| G-89 | 3-20A | – | HHJ-A | 11-17 | 40 |
| G-89 | 3-20A | – | HLUH | 8-9 | 190 |
| G-89 | 3-20B | – | HMLVV5M | 12-5 | 180 |
| G-89 | 3-20B | – | HMLVV-5M | 8-5 | 270 |
| G-89 | 3-20B | – | HMVV-5 | 8-3 | 60 |
| G-89 | 3-20B | – | HMVV5M | 12-5 | 300 |
| GA4-250 | 3-2 | 112 | HMVV-5M | 8-3 | 60 |
| GA4-250 | 3-20 | – | HMVV-5M | 8-5 | 280 |
| GA4-250 | 3-20A | – | HMVV-5M | 8-6A | 110 |
| GA4-250 | 3-20A | – | HPF1260-6-58 | 4-3 | 90 |
| GA4-250 | 3-20B | – | HR, DF-14R | 6-6 | 90 |
| GA4-250 | 3-20B | – | J-10386-2 | 3-30 | – |
| GA4-250 | 3-20B | – | J-2214-4 | 3-30 | 60 |
| GA4-250 | 3-20B | – | J-2216-18 | 3-30 | 10 |
| GA4-250 | 7-1 | 540 | J-2218-61 | 3-30 | 20 |
| GA4-250 | 7-9 | 170 | J-2309-7 | 3-30 | 50 |
| GB-910 | 8-4 | 70 | J3459-8 | 8-9 | 140 |
| GE4313 (250W) | 6-4 | 210 | J3459-8 | 8-10 | 140 |
| GEE62FR-C | 11-19 | – | J-7763-26 | 3-30 | 30 |
| GEM 610 | 11-17 | 10 | J-7766-2 | 3-30 | 40 |
| GH2 1/2 | 9-2 | 33A | J-D4N-300M | 6-14 | 90 |
| GS-3 | 3-23 | 640 | JE-1 | 5-1 | 320 |
| GS-3 | 7-11 | 410 | K3N | 3-28 | 250 |
| GX-5 | 8-9 | 210 | K3N | 3-28 | 250 |
| GX-5 | 8-10 | 210 | K3N | 3-28 | 250 |
| H-103 | 6-6 | 70 | K3N | 3-28 | 250 |
| H1-400-14 | 11-5 | 260 | K9000S-1A | 3-22 | 300 |
| H2532-13 | 7-5 | 670 | K-9000S-1A | 3-24 | 340 |
| H2532-15 | 7-5 | – | K94RA | 12-1 | 110A |
| H2532-16 | 7-5 | – | KLIK-1185 | 7-20 | 540 |
| HDUH | 8-10 | 190 | KN500B1/8 | 11-8 | 160 |
| HFVV3M | 3-14 | 30 | KN500B1/8 | 11-9 | 125 |
| HFVV3M | 3-15 | 30 | KN500B1/8 | 11-5 | 30 |

UNCONTROLLED COPY WHEN DOWNLOADED OR PRINTED

ENSTROM F-28/280 SERIES ILLUSTRATED PARTS CATALOG

PART NUMBER INDEX SECTIONS 3 THROUGH 7 AND 9 THROUGH 12 FIGURES 8-1 THROUGH 8-11

| Part Number | Figure | Item | Part Number | Figure | Item |
|---------------------|--------|------|-----------------|--------|-------|
| KN500B1/8 | 11-7 | 360 | M81934/1-08C012 | 8-3A | 430 |
| KN500B1/8 | 11-1 | 420 | M81935/1-08K | 5-3 | 520 |
| KN500B1/8 | 11-2 | 320 | M83248/1-008 | 12-1 | 120 |
| KN500B1/8 | 11-3 | 320 | M83248-2-010 | 3-26 | 30 |
| KN500B1/8 | 11-4 | – | M83536/10-015M | 6-14 | 90 |
| KN500B1/8 | 11-6 | 340 | M83536/10-024M | 6-14 | 90 |
| KP-16B | 12-9 | 190 | MC1-106-140 | 11-16 | 20 |
| KP4A | 3-11 | 230 | MC1-A106B | 11-16 | 30 |
| KP4A | 3-11 | 340 | MIL-DTL-5593 | 11-8 | – |
| KRP8A-C | 12-10 | 130 | MM-113-3/8 | 11-19 | 140 |
| KRP8A-H | 12-9 | 70 | MP-100-012-70 | 11-1 | 310 |
| KRP8A-H | 12-10 | 130 | MP-160-012-100 | 11-6 | –390A |
| KUP-14D55-24 | 6-14 | 10 | MP-160-012-70 | 11-1 | 40 |
| KUP-14D55-472 | 6-14 | 10 | MP-160-012-70 | 11-2 | 200 |
| L-141C | 11-5 | 330 | MP-160-012-70 | 11-3 | 200 |
| L-18X | 4-2 | 60 | MP-160-012-70 | 11-4 | 200 |
| LDF-6-228 | 8-5 | 570 | MP-160-012-70 | 11-5 | 210 |
| LE-026B-00MW | 7-5 | 690 | MP-160-012-70 | 11-6 | 390 |
| LED-40-1J-HG2-SBMMD | 11-9 | 10 | MR-18 | 12-10 | – |
| LED-40-1J-HG2-SBMMF | 11-9 | 5 | MR-18 | 12-11 | 300 |
| LHSSE-5 | 8-3A | 250 | MRB-2400 | 9-2 | 42 |
| LW-12878-4S260 | 3-23 | 480 | MS15001-1 | 4-1 | 260 |
| LW-13464 | 3-3 | 240 | MS16555-27 | 4-2.1 | 30 |
| LW-13476 | 3-3 | 190 | MS16555-618 | 12-12 | 50 |
| LW-13646 | 3-3 | – | MS16562-211 | 8-9 | 210 |
| LW-13807 | 3-3 | 310 | MS16562-211 | 8-10 | 210 |
| LW-13807 | 3-5 | 90 | MS16562-213 | 5-5 | 70 |
| LW-14485 | 3-3 | 230 | MS16562-213 | 8-9 | 240 |
| LW-16567 | 3-28 | 141 | MS16562-213 | 8-10 | 240 |
| LW-18959-175-34 | 11-19 | 65 | MS16562-215 | 4-3 | 70 |
| LW-18959-175-34 | 11-17 | – | MS16633-4012 | 7-6 | 300 |
| LWB-22-6-58 | 4-3 | 90 | MS16998-10L | 6-11 | – |
| M-111 | 11-19 | 105 | MS16998-44 | 7-17 | 180 |
| M-111T | 11-19 | 150 | MS17825-3 | 12-7 | 220 |
| M12883/41-14 | 6-14 | 100 | MS17825-3 | 3-10 | 240 |
| M144E | 5-6 | 50 | MS17825-3 | 3-11 | 410 |
| M21919-DG3 | 7-1 | 200 | MS17825-3 | 3-13 | 100 |
| M-5050T | 11-19 | 40 | MS17825-3 | 3-15 | 50 |

UNCONTROLLED COPY WHEN DOWNLOADED OR PRINTED

ENSTROM F-28/280 SERIES ILLUSTRATED PARTS CATALOG

PART NUMBER INDEX SECTIONS 3 THROUGH 7 AND 9 THROUGH 12 FIGURES 8-1 THROUGH 8-11

| Part Number | Figure | Item | Part Number | Figure | Item |
|----------------|--------|------|-----------------|--------|------|
| MS17825-3 | 12-5 | 250 | MS20074-304 | 8-2 | 10 |
| MS17825-4 | 12-6 | 110 | MS201044N3 | 3-6 | 170 |
| MS17825-4 | 12-7 | 150 | MS20253-1 | 7-8 | 220 |
| MS17825-4 | 3-11 | 310 | MS20253-2 | 7-1 | 430 |
| MS17825-4 | 5-1 | 290 | MS20253-2 | 7-1 | 570 |
| MS17825-4 | 5-3 | 400 | MS20253-P2-7200 | 7-4 | - |
| MS17825-4 | 8-3 | 90 | MS20257-1 | 7-8 | 210 |
| MS17825-4 | 8-3A | 360 | MS20257-4 | 7-1 | 560 |
| MS17825-4 | 8-4 | 270 | MS20257-P4 | 7-1 | 420 |
| MS17825-4 | 8-5 | 410 | MS20364-1032 | 8-5 | 260 |
| MS17825-4 | 12-5 | 400 | MS20364-1032 | 8-5A | 160 |
| MS17825-4 | 12-10 | 200 | MS20364-1032 | 8-6 | 60 |
| MS17825-5 | 12-7 | 60 | MS20364-1032 | 8-7 | 70 |
| MS17825-5 | 12-8 | 240 | MS20364-428 | 8-8 | 60 |
| MS17825-5 | 5-1 | 440 | MS20365-425 | 7-22 | 90 |
| MS17825-5 | 5-2 | 100 | MS20365-832 | 7-1 | 80 |
| MS17825-5 | 8-3 | 40 | MS20365-832 | 7-1 | - |
| MS17825-5 | 8-4 | 180 | MS20365-832 | 7-1 | - |
| MS17825-5 | 8-5 | 460 | MS20365-832 | 7-1 | 670 |
| MS17825-5 | 8-5A | 120 | MS20365-832 | 7-4 | 150 |
| MS17825-5 | 8-6A | 190 | MS20392-2C11 | 3-28 | 300 |
| MS17825-6 | 8-5A | 70 | MS20392-2C17 | 7-6 | 60 |
| MS17826-4 | 8-2 | 60 | MS20392-3C25 | 12-5 | 120 |
| MS17826-5 | 12-5 | 230 | MS20426A3-3 | 7-18 | - |
| MS17984C305 | 7-6 | -75 | MS20426A3-3 | 7-18 | - |
| MS18063-8 | 7-4 | 660 | MS20426A3-3 | 7-18 | - |
| MS18066-14 | 8-1 | 90 | MS20426A3-3 | 7-18 | - |
| MS18066-8 | 7-6 | 270 | MS20426A3-3.5 | 3-20 | - |
| MS20002-C6 | 7-13 | 110 | MS20426A3-3.5 | 3-20A | - |
| MS20002-C6 | 12-11 | 80 | MS20426A3-3.5 | 3-20B | - |
| MS20006H12 | 7-13 | 120 | MS20426A3-4 | 3-19 | - |
| MS20006H14 | 7-13 | 100 | MS20426A3-4 | 3-20 | - |
| MS20073-05-A12 | 8-4 | 260 | MS20426A3-4 | 3-20 | - |
| MS20073-05-A6 | 8-4 | 250 | MS20426A3-4 | 3-20 | - |
| MS20074-03-04 | 5-3 | 430 | MS20426A3-4 | 3-20A | - |
| MS20074-05-05 | 3-29 | 70 | MS20426A3-4 | 3-20A | - |
| MS20074-05-06 | 4-2 | 340 | MS20426A3-4 | 3-20B | - |
| MS20074-05-12 | 4-2 | 350 | MS20426A3-4 | 3-20B | - |

UNCONTROLLED COPY WHEN DOWNLOADED OR PRINTED

ENSTROM F-28/280 SERIES ILLUSTRATED PARTS CATALOG

PART NUMBER INDEX SECTIONS 3 THROUGH 7 AND 9 THROUGH 12 FIGURES 8-1 THROUGH 8-11

| Part Number | Figure | Item | Part Number | Figure | Item |
|----------------|--------|------|--------------|--------|------|
| MS20426A3-4 | 3-20B | - | MS20426AD3-4 | 3-20 | - |
| MS20426A3-4 | 3-20B | - | MS20426AD3-4 | 3-20 | - |
| MS20426A3-4 | 3-20B | - | MS20426AD3-4 | 3-20 | - |
| MS20426A3-4 | 3-20B | - | MS20426AD3-4 | 3-20 | - |
| MS20426A3-4 | 9-3 | - | MS20426AD3-4 | 3-20 | - |
| MS20426A3-4 | 9-3 | - | MS20426AD3-4 | 3-20 | - |
| MS20426A3-4 | 9-4 | - | MS20426AD3-4 | 3-20 | - |
| MS20426A3-4 | 9-4 | - | MS20426AD3-4 | 3-20A | - |
| MS20426A3-4 | 7-10 | 400 | MS20426AD3-4 | 3-20A | - |
| MS20426A3-4 | 7-18 | - | MS20426AD3-4 | 3-20A | - |
| MS20426A3-4 | 7-18 | - | MS20426AD3-4 | 3-20A | - |
| MS20426A3-4 | 7-18 | - | MS20426AD3-4 | 3-20A | - |
| MS20426AD3-2 | 3-26 | - | MS20426AD3-4 | 3-20A | - |
| MS20426AD3-3 | 3-17 | 80 | MS20426AD3-4 | 3-20A | - |
| MS20426AD3-3 | 3-20 | - | MS20426AD3-4 | 3-20A | - |
| MS20426AD3-3 | 3-20 | - | MS20426AD3-4 | 3-20B | - |
| MS20426AD3-3 | 3-20 | - | MS20426AD3-4 | 3-20B | - |
| MS20426AD3-3 | 3-20A | - | MS20426AD3-4 | 3-20B | - |
| MS20426AD3-3 | 3-20A | - | MS20426AD3-4 | 3-20B | - |
| MS20426AD3-3 | 3-20A | - | MS20426AD3-4 | 3-20B | - |
| MS20426AD3-3 | 3-20B | - | MS20426AD3-4 | 3-20B | - |
| MS20426AD3-3 | 3-20B | - | MS20426AD3-4 | 3-20B | - |
| MS20426AD3-3 | 3-20B | - | MS20426AD3-4 | 3-20B | - |
| MS20426AD3-3 | 3-26 | - | MS20426AD3-4 | 3-20B | - |
| MS20426AD3-3 | 6-12 | 50 | MS20426AD3-4 | 7-10 | 410 |
| MS20426AD3-3.5 | 3-20 | - | MS20426AD3-5 | 7-10 | 280 |
| MS20426AD3-3.5 | 3-20A | - | MS20427M4-7 | 3-21 | - |
| MS20426AD3-3.5 | 3-20B | - | MS20470A3-3 | 3-20 | - |
| MS20426AD3-4 | 3-16 | 70 | MS20470A3-3 | 3-20A | - |
| MS20426AD3-4 | 3-18 | - | MS20470A3-3 | 3-20B | - |
| MS20426AD3-4 | 3-18 | - | MS20470A3-4 | 3-19 | - |
| MS20426AD3-4 | 3-18 | - | MS20470A3-4 | 3-20 | - |
| MS20426AD3-4 | 3-18 | - | MS20470A3-4 | 3-20 | - |
| MS20426AD3-4 | 3-19 | - | MS20470A3-4 | 3-20A | - |
| MS20426AD3-4 | 3-19 | 40 | MS20470AD3-3 | 3-20 | - |
| MS20426AD3-4 | 3-20 | - | MS20470AD3-3 | 3-20A | - |
| MS20426AD3-4 | 3-20 | - | MS20470AD3-3 | 3-5A | 20 |

UNCONTROLLED COPY WHEN DOWNLOADED OR PRINTED

ENSTROM F-28/280 SERIES ILLUSTRATED PARTS CATALOG

PART NUMBER INDEX SECTIONS 3 THROUGH 7 AND 9 THROUGH 12 FIGURES 8-1 THROUGH 8-11

| Part Number | Figure | Item | Part Number | Figure | Item |
|----------------|--------|------|--------------|--------|------|
| MS20470AD3-4 | 3-18 | - | MS20500-524 | 3-3 | 180 |
| MS20470AD3-4 | 3-20 | - | MS20615-3M10 | 3-26 | 130 |
| MS20470AD3-4 | 3-20 | - | MS20668-3 | 12-5 | - |
| MS20470AD3-4 | 3-20A | - | MS20812-4D | 3-24 | 350 |
| MS20470AD3-4 | 3-20A | - | MS20819-4D | 11-15 | - |
| MS20470AD3-4 | 3-20B | - | MS20819-4D | 11-15 | - |
| MS20470AD3-4 | 3-20B | - | MS20819-4D | 11-15 | - |
| MS20470AD3-4 | 3-20B | - | MS20819-4D | 11-15 | - |
| MS20470AD3-4 | 3-20B | - | MS20819-4D | 11-15 | - |
| MS20470AD3-4 | 3-20B | - | MS20819-4D | 11-15 | - |
| MS20470AD3-4 | 4-2 | - | MS20819-4D | 11-15 | - |
| MS20470AD3-4 | 6-7 | 140 | MS20819-4D | 11-15 | - |
| MS20470AD3-4 | 7-9 | 40 | MS20819-4D | 3-24 | - |
| MS20470AD4-11 | 12-5 | - | MS20822-2 | 11-10 | 30 |
| MS20470AD4-11 | 12-5 | - | MS20822-4 | 3-23 | 200 |
| MS20470AD4-19 | 12-5 | - | MS20822-4D | 3-4 | 220 |
| MS20470AD4-3 | 7-10 | 300 | MS20822-6-6 | 3-23 | 240 |
| MS20470AD4-3.5 | 7-10 | 510 | MS20822-6-6 | 3-8 | 100 |
| MS20470AD4-4 | 3-20 | - | MS20822-6D | 3-26 | 180 |
| MS20470AD4-4 | 3-20 | - | MS20822-6D | 5-6 | 90 |
| MS20470AD4-4 | 3-20A | - | MS20823 | 3-22 | 420 |
| MS20470AD4-4 | 3-20A | - | MS20823-4 | 3-23 | 420 |
| MS20470AD4-4 | 3-20B | - | MS20823-4 | 3-4 | 190 |
| MS20470AD4-4 | 3-20B | - | MS20823-4D | 11-10 | 120 |
| MS20470AD4-4 | 3-20B | - | MS20823-6 | 3-23 | 410 |
| MS20470AD4-4 | 7-9 | 250 | MS-20823-6D | 3-6 | 20 |
| MS20470AD4-4 | 7-14 | 250 | MS20913-1 | 3-23 | 280 |
| MS20470AD4-5 | 3-20 | - | MS20913-1D | 3-22 | 340 |
| MS20470AD4-5 | 3-20A | - | MS20995C20 | 12-8 | -280 |
| MS20470AD4-5 | 3-20B | - | MS20995C25 | 11-19 | 165 |
| MS20470AD4-6 | 7-15 | 220 | MS20995-C25 | 12-5 | 680 |
| MS20470AD4-6 | 7-16 | 140 | MS20995C32 | 12-13 | - |
| MS20470AD4-7 | 7-15 | 210 | MS20995C32 | 12-1 | -250 |
| MS20470AD4-7 | 7-16 | 130 | MS20995C32 | 3-23 | - |
| MS20470AD5-7 | 3-21 | - | MS20995C32 | 3-28 | - |
| MS20500-1032 | 3-29 | 150 | MS20995C32 | 3-3 | - |
| MS20500-428 | 3-29 | 160 | MS20995C32 | 3-3 | - |
| MS20500-524 | 3-29 | 170 | MS20995C32 | 3-3 | - |

UNCONTROLLED COPY WHEN DOWNLOADED OR PRINTED

ENSTROM F-28/280 SERIES ILLUSTRATED PARTS CATALOG

PART NUMBER INDEX SECTIONS 3 THROUGH 7 AND 9 THROUGH 12 FIGURES 8-1 THROUGH 8-11

| Part Number | Figure | Item | Part Number | Figure | Item |
|-------------|--------|------|-------------|--------|------|
| MS20995C32 | 4-4 | - | MS21044N3 | 3-10 | 190 |
| MS20995C32 | 5-2 | - | MS21044N3 | 3-10 | 40 |
| MS20995C32 | 5-6 | - | MS21044N3 | 3-11 | 100 |
| MS20995C32 | 7-21 | 100 | MS21044N3 | 3-12 | 50 |
| MS20995C32 | 12-11 | - | MS21044N3 | 3-20 | 520 |
| MS20995C32 | 12-12 | - | MS21044N3 | 3-20A | 520 |
| MS20995-C32 | 3-26 | - | MS21044N3 | 3-20B | 520 |
| MS20995-C32 | 12-5 | 490 | MS21044N3 | 3-23 | 580 |
| MS20995C41 | 3-3 | - | MS21044N3 | 3-6 | 270 |
| MS20995-C41 | 12-5 | 480 | MS21044N3 | 3-7 | 140 |
| MS21042-3 | 3-27 | 70 | MS21044N3 | 5-3 | 220 |
| MS21042-3 | 3-28 | 110 | MS21044N3 | 6-2 | - |
| MS21042-3 | 3-28 | 110 | MS21044N3 | 6-2 | - |
| MS21042-3 | 3-28 | 50 | MS21044N3 | 9-5 | 80 |
| MS21042-3 | 7-6 | 130 | MS21044N3 | 9-5 | 125 |
| MS21042-3 | 7-6 | 470 | MS21044N3 | 11-7 | 630 |
| MS21044N04 | 11-8 | 120 | MS21044N3 | 11-11 | 90 |
| MS21044N04 | 11-9 | - | MS21044N3 | 7-9 | 110 |
| MS21044N04 | 11-7 | 230 | MS21044N3 | 7-9 | 350 |
| MS21044N06 | 3-17 | 130 | MS21044N3 | 7-10 | 610 |
| MS21044N06 | 6-11 | 120 | MS21044N3 | 7-15 | 70 |
| MS21044N06 | 7-8 | 150 | MS21044N3 | 7-16 | 60 |
| MS21044N06 | 7-9 | 70 | MS21044N3 | 7-17 | 160 |
| MS21044N06 | 7-10 | 460 | MS21044N3 | 7-20 | 160 |
| MS21044N06 | 7-21 | 280 | MS21044N4 | 12-2 | 110 |
| MS21044N08 | 3-10 | 100 | MS21044N4 | 5-4 | 410 |
| MS21044N08 | 6-11 | 221 | MS21044N4 | 6-2 | - |
| MS21044N08 | 6-2 | - | MS21044N4 | 7-6 | 90 |
| MS21044N08 | 8-6 | 120 | MS21044N4 | 9-5 | 30 |
| MS21044N08 | 8-6A | 60 | MS21044N4 | 7-5 | 890 |
| MS21044N08 | 7-5 | 380 | MS21044N4 | 7-15 | 190 |
| MS21044N08 | 7-8 | 50 | MS21044N4 | 7-16 | 220 |
| MS21044N08 | 7-9 | 320 | MS21044N4 | 7-17 | 250 |
| MS21044N08 | 7-10 | 360 | MS21044N4 | 7-19 | 100 |
| MS21044N3 | 11-8 | 300 | MS21044N4 | 7-20 | 120 |
| MS21044N3 | 11-9 | 225 | MS21044N5 | 4-1 | 140 |
| MS21044N3 | 12-2 | 80 | MS21044N5 | 7-19 | 70 |
| MS21044N3 | 12-4 | -300 | MS21044N5 | 7-20 | 70 |

UNCONTROLLED COPY WHEN DOWNLOADED OR PRINTED

ENSTROM F-28/280 SERIES ILLUSTRATED PARTS CATALOG

PART NUMBER INDEX SECTIONS 3 THROUGH 7 AND 9 THROUGH 12 FIGURES 8-1 THROUGH 8-11

| Part Number | Figure | Item | Part Number | Figure | Item |
|-------------|--------|------|-------------|--------|------|
| MS21044N6 | 5-4 | 380 | MS21078-08K | 3-19 | 30 |
| MS21044N6 | 7-20 | 440 | MS21078-08K | 3-20 | - |
| MS21045L3 | 3-3 | - | MS21078-08K | 3-20A | - |
| MS21045L5 | 3-3 | 180 | MS21078-3 | 3-20 | - |
| MS21059L3 | 3-26 | - | MS21078-3 | 3-20 | - |
| MS21061L08K | 3-20 | - | MS21078-3 | 3-20 | - |
| MS21069-06 | 3-18 | - | MS21078-3 | 3-20A | - |
| MS21069-06 | 3-20 | - | MS21078-3 | 3-20A | - |
| MS21069-06 | 3-20 | - | MS21078-3 | 3-20B | - |
| MS21069-06 | 3-20 | - | MS21078-3 | 3-20B | - |
| MS21069-06 | 3-20A | - | MS21078-3 | 3-20B | - |
| MS21069-06 | 3-20A | - | MS21078-3 | 3-20B | - |
| MS21069-06 | 3-20A | - | MS21078-3 | 3-20B | - |
| MS21069-06 | 3-20B | - | MS21080-06 | 3-20 | - |
| MS21069-06 | 3-20B | - | MS21080-06 | 3-20 | - |
| MS21069-06 | 3-20B | - | MS21080-06 | 3-20A | - |
| MS21069-06K | 3-20 | - | MS21080-06 | 3-20A | - |
| MS21069-06K | 3-20 | - | MS21080-06 | 3-20B | - |
| MS21069-06K | 3-20A | - | MS21080-06 | 3-20B | - |
| MS21069-06K | 3-20A | - | MS21080-08 | 3-19 | - |
| MS21069-06K | 3-20B | - | MS21080-08K | 3-19 | - |
| MS21069-06K | 3-20B | - | MS21080-08K | 7-10 | 290 |
| MS21069-08 | 3-20 | - | MS21080-3 | 3-20 | - |
| MS21069-08 | 3-20A | - | MS21080-3 | 3-20 | - |
| MS21069-08 | 3-20B | - | MS21080-3 | 3-20A | - |
| MS21071-06 | 3-18 | - | MS21080-3 | 3-20B | - |
| MS21071-06 | 3-18 | - | MS21080-3 | 3-20B | - |
| MS21071-06 | 3-20 | - | MS21080-3 | 3-20B | - |
| MS21071-06 | 3-20A | - | MS21083N06 | 11-8 | 40 |
| MS21071-06 | 3-20B | - | MS21083N06 | 11-9 | - |
| MS21078-06 | 3-20 | - | MS21083N06 | 11-9 | - |
| MS21078-06 | 3-20A | - | MS21083N06 | 11-9 | - |
| MS21078-06 | 3-20B | - | MS21083N06 | 6-11 | - |
| MS21078-08 | 3-19 | - | MS21083N06 | 6-14 | 40 |
| MS21078-08 | 3-19 | - | MS21083N06 | 6-4 | - |
| MS21078-08 | 3-20B | - | MS21083N06 | 6-4 | - |
| MS21078-08 | 3-20B | - | MS21083N06 | 6-4 | - |
| MS21078-08K | 3-19 | - | MS21083N06 | 6-4 | - |

UNCONTROLLED COPY WHEN DOWNLOADED OR PRINTED

ENSTROM F-28/280 SERIES ILLUSTRATED PARTS CATALOG

PART NUMBER INDEX SECTIONS 3 THROUGH 7 AND 9 THROUGH 12 FIGURES 8-1 THROUGH 8-11

| Part Number | Figure | Item | Part Number | Figure | Item |
|-------------|--------|------|---------------|--------|------|
| MS21083N06 | 6-4 | – | MS21083N3 | 6-13 | 188 |
| MS21083N06 | 6-4 | – | MS21083N3 | 6-13 | 195 |
| MS21083N06 | 6-6 | 190 | MS21083N3 | 6-2 | – |
| MS21083N06 | 12-13 | 330 | MS21083N3 | 6-2 | – |
| MS21083N06 | 11-7 | 160 | MS21083N3 | 6-3 | 40 |
| MS21083N06 | 7-1 | – | MS21083N3 | 7-6 | 460 |
| MS21083N06 | 7-11 | 440 | MS21083N3 | 8-11 | 70 |
| MS21083N06 | 12-5 | – | MS21083N3 | 8-6A | 150 |
| MS21083N06 | 12-11 | 50 | MS21083N3 | 8-7 | – |
| MS21083N06 | 12-12 | 300 | MS21083N3 | 7-1 | – |
| MS21083N08 | 11-8 | 315 | MS21083N3 | 7-3 | 70 |
| MS21083N08 | 11-9 | 240 | MS21083N3 | 7-9 | 140 |
| MS21083N08 | 11-19 | 245 | MS21083N3 | 7-17 | 110 |
| MS21083N08 | 6-11 | 160 | MS21083N3 | 12-5 | 150 |
| MS21083N08 | 6-11 | 80 | MS21083N4 | 3-22 | 180 |
| MS21083N08 | 6-5 | 230 | MS21083N4 | 3-22 | 290 |
| MS21083N08 | 6-5 | 32 | MS21083N4 | 3-23 | 190 |
| MS21083N08 | 6-6 | 340 | MS21083N4 | 5-1 | 490 |
| MS21083N08 | 6-7 | 110 | MS21083N4 | 5-1 | 70 |
| MS21083N08 | 6-7 | 210 | MS21083N4 | 5-5 | 140 |
| MS21083N08 | 11-7 | 670 | MS21083N4 | 7-17 | 360 |
| MS21083N08 | 11-11 | 200 | MS21083N4 | 8-11 | 10 |
| MS21083N08 | 7-5 | 200 | MS21083N4 | 8-11 | 150 |
| MS21083N08 | 7-11 | 470 | MS21083N4 | 12-13 | 300 |
| MS21083N12 | 7-20 | 560 | MS21083N4 | 7-20 | 260 |
| MS21083N3 | 3-11 | 160 | MS21083N4 | 7-21 | 30 |
| MS21083N3 | 3-13 | 60 | MS21083N4 | 12-5 | 420 |
| MS21083N3 | 3-21 | 50 | MS21083N4 | 12-10 | 160 |
| MS21083N3 | 3-26 | 220 | MS21083N4 | 12-11 | 230 |
| MS21083N3 | 3-5A | 130 | MS21083N4 | 12-12 | 270 |
| MS21083N3 | 3-5A | 210 | MS21083N5 | 5-4 | 230 |
| MS21083N3 | 4-2 | – | MS21083N5 | 7-20 | – |
| MS21083N3 | 5-1 | 150 | MS21083N6 | 4-2 | 320 |
| MS21083N3 | 5-3 | 460 | MS21083N6 | 5-3 | 330 |
| MS21083N3 | 5-5 | 300 | MS21083N6 | 7-19 | 40 |
| MS21083N3 | 6-13 | – | MS21240-08C12 | 8-3A | 430 |
| MS21083N3 | 6-13 | – | MS21242S8 | 5-3 | 520 |
| MS21083N3 | 6-13 | – | MS21242S8K | 4-4 | 200 |

UNCONTROLLED COPY WHEN DOWNLOADED OR PRINTED

ENSTROM F-28/280 SERIES ILLUSTRATED PARTS CATALOG

PART NUMBER INDEX SECTIONS 3 THROUGH 7 AND 9 THROUGH 12 FIGURES 8-1 THROUGH 8-11

| Part Number | Figure | Item | Part Number | Figure | Item |
|---------------|--------|------|---------------|--------|------|
| MS21242S8K | 5-3 | 520 | MS21919WCJ10 | 3-23 | 481 |
| MS21250-06042 | 5-6 | 250 | MS21919WCJ10 | 3-4 | 30 |
| MS21250-06044 | 5-6 | 250 | MS21919WCJ10 | 11-17 | 120 |
| MS21251-B3S | 12-5 | 800 | MS21919WCJ12 | 3-20 | 560 |
| MS21255-3LS | 12-5 | 810 | MS21919WCJ12 | 3-20A | 560 |
| MS21255-3RS | 12-5 | 830 | MS21919WCJ12 | 3-20B | 560 |
| MS21256-1 | 12-5 | 820 | MS21919WCJ12 | 3-20B | 560 |
| MS21262-6 | 12-9 | 100 | MS21919WCJ12 | 3-23 | 70 |
| MS21262-6 | 12-10 | 100 | MS21919WCJ12 | 3-24 | 220 |
| MS21299C6 | 4-3 | 100 | MS21919WCJ12 | 3-4 | 270 |
| MS21913J4 | 11-19 | 145 | MS21919WCJ12 | 6-2 | 60 |
| MS21919CJ15 | 11-14 | - | MS21919WCJ12 | 11-17 | 130 |
| MS21919DF12 | 11-17 | 130 | MS21919WCJ14 | 3-24 | 310 |
| MS21919DF-12 | 11-16 | 100 | MS21919WCJ16 | 3-23 | 380 |
| MS21919-DF12 | 3-1 | 50 | MS21919WCJ16 | 11-17 | 140 |
| MS21919-DF12 | 3-2 | 80 | MS21919WCJ3 | 3-24 | 115 |
| MS21919-DF12 | 3-6 | 80 | MS21919WCJ3 | 11-17 | 90 |
| MS21919DF16 | 11-17 | 140 | MS21919WCJ4 | 3-24 | 170 |
| MS21919DF-3 | 11-16 | 110 | MS21919WCJ4 | 3-4 | 240 |
| MS21919-DF6 | 3-6 | 80 | MS21919WCJ4 | 11-17 | 100 |
| MS21919-DG12 | 6-13 | 20 | MS21919WCJ6 | 3-24 | 300 |
| MS21919-DG-15 | 11-14 | - | MS21919WCJ6 | 3-4 | 250 |
| MS21919DG3 | 11-17 | 90 | MS21919WCJ6 | 11-17 | 110 |
| MS21919-DG3 | 7-5 | 330 | MS21919WCJ8 | 3-4 | 260 |
| MS21919DG4 | 3-24 | 170 | MS21919WDF12 | 3-5 | 40 |
| MS21919F10 | 11-17 | 120 | MS21919WDF3 | 3-22 | 460 |
| MS21919-F10 | 3-4 | 30 | MS21919WDG12 | 3-24 | - |
| MS21919-F12 | 3-4 | 270 | MS21919WDG12 | 3-24 | 220 |
| MS21919F4 | 11-11 | 60 | MS21919WDG12 | 3-5A | 180 |
| MS21919F4 | 11-17 | 100 | MS21919WDG12 | 6-13 | 20 |
| MS21919-F4 | 3-4 | 240 | MS21919WDG-12 | 11-18 | 35 |
| MS21919F6 | 11-17 | 110 | MS21919WDG-12 | 12-4 | 80 |
| MS21919-F6 | 3-4 | 250 | MS21919WDG14 | 3-24 | 310 |
| MS21919F8 | 10-4 | 60 | MS21919WDG14 | 3-5A | 100 |
| MS21919-F8 | 10-3 | - | MS21919WDG-14 | 11-18 | 30 |
| MS21919-F8 | 3-4 | 260 | MS21919WDG-14 | 12-4 | 70 |
| MS21919-G38 | 10-2 | - | MS21919WDG15 | 11-15 | 125 |
| MS21919WCJ10 | 3-23 | 390 | MS21919WDG2 | 6-5 | 215 |

UNCONTROLLED COPY WHEN DOWNLOADED OR PRINTED

ENSTROM F-28/280 SERIES ILLUSTRATED PARTS CATALOG

PART NUMBER INDEX SECTIONS 3 THROUGH 7 AND 9 THROUGH 12 FIGURES 8-1 THROUGH 8-11

| Part Number | Figure | Item | Part Number | Figure | Item |
|--------------|--------|------|--------------|--------|------|
| MS21919WDG3 | 10-4 | 140 | MS24665-1013 | 8-3A | 370 |
| MS21919WDG3 | 10-4 | 240 | MS24665-1013 | 8-4 | 300 |
| MS21919WDG3 | 3-24 | - | MS24665-1013 | 7-5 | 280 |
| MS21919WDG3 | 6-7 | 80 | MS24665-151 | 12-6 | 210 |
| MS21919WDG-5 | 11-18 | 25 | MS24665-151 | 12-7 | 250 |
| MS21919WDG-5 | 12-4 | 60 | MS24665-151 | 12-8 | 250 |
| MS21919WDG6 | 11-19 | 250 | MS24665-151 | 3-10 | 250 |
| MS21919WDG6 | 3-24 | 300 | MS24665-151 | 3-11 | 320 |
| MS21919WF10 | 3-22 | 390 | MS24665-151 | 3-13 | 110 |
| MS21919WF12 | 3-20 | 560 | MS24665-151 | 3-14 | 60 |
| MS21919WF12 | 3-20A | 560 | MS24665-151 | 3-15 | 60 |
| MS21919WF12 | 3-20B | 560 | MS24665-151 | 5-1 | 300 |
| MS21919WF12 | 3-22 | 80 | MS24665-151 | 5-2 | 110 |
| MS21919WF12 | 3-7 | 90 | MS24665-151 | 5-3 | 410 |
| MS21919WF12 | 6-1 | 120 | MS24665-151 | 5-5 | 170 |
| MS21919WF12 | 6-1 | 60 | MS24665-151 | 8-3 | 100 |
| MS21919WF14 | 3-22 | 90 | MS24665-151 | 8-4 | 190 |
| MS21919WF14 | 3-7 | 90 | MS24665-151 | 8-5 | 420 |
| MS21919WF16 | 3-22 | 380 | MS24665-151 | 8-5A | 130 |
| MS21919WF16 | 5-5 | 280 | MS24665-151 | 8-6A | 200 |
| MS21919WF18 | 3-7 | 40 | MS24665-151 | 12-5 | 260 |
| MS21919WF4 | 11-15 | 130 | MS24665-151 | 12-10 | 210 |
| MS21919WF4 | 3-20 | 620 | MS24665-152 | 8-3 | 50 |
| MS21919WF4 | 3-20A | 620 | MS24665-152 | 8-5 | 470 |
| MS21919WF4 | 3-20B | 620 | MS24665-153 | 3-24 | 530 |
| MS21919WF-4 | 3-24 | 170 | MS24665-153 | 3-28 | 305 |
| MS21919WF6 | 3-22 | 70 | MS24665-153 | 12-5 | 240 |
| MS21919WG38 | 10-4 | 250 | MS24665-155 | 12-8 | 90 |
| MS21919WG38 | 10-4 | 420 | MS24665-155 | 12-5 | - |
| MS21919WG38 | 10-4 | 70 | MS24665-157 | 12-5 | 870 |
| MS24566-1B | 12-5 | 890 | MS24665-300 | 3-28 | 320 |
| MS24566-2B | 12-5 | 860 | MS24665-300 | 3-30 | 60 |
| MS24566-3B | 12-5 | 880 | MS24665-300 | 3-30 | 60A |
| MS24586C234 | 3-11 | 480 | MS24665-300 | 8-1 | 130 |
| MS24586C311 | 3-11 | 470 | MS24665-300 | 8-5A | 80 |
| MS24586-C346 | 3-11 | 200 | MS24665-300 | 12-5 | 840 |
| MS24665-1013 | 12-6 | 100 | MS24665-302 | 4-3 | 170 |
| MS24665-1013 | 8-2 | 70 | MS24665-302 | 8-1 | 140 |

UNCONTROLLED COPY WHEN DOWNLOADED OR PRINTED

ENSTROM F-28/280 SERIES ILLUSTRATED PARTS CATALOG

PART NUMBER INDEX SECTIONS 3 THROUGH 7 AND 9 THROUGH 12 FIGURES 8-1 THROUGH 8-11

| Part Number | Figure | Item | Part Number | Figure | Item |
|---------------|--------|------|---------------|--------|------|
| MS24665-302 | 8-3A | 410 | MS26574-20 | 11-5 | 240 |
| MS24665-304 | 5-3 | 100 | MS26574-5 | 6-3 | – |
| MS24665-304 | 12-5 | 80 | MS26574-7 1/2 | 11-5 | 220 |
| MS24665-360 | 4-2 | 200 | MS27039-0806 | 8-6 | 100 |
| MS24665-377 | 12-5 | 340 | MS27039-0806 | 8-6A | 40 |
| MS24665-90 | 3-28 | 375 | MS27039-0806 | 7-1 | 440 |
| MS24674-45 | 3-8 | 180 | MS27039-0806 | 7-8 | 110 |
| MS24677-52 | 4-2 | 350 | MS27039-0807 | 6-5 | 100 |
| MS24693-BB26 | 11-9 | 105 | MS27039-0807 | 7-1 | 410 |
| MS24693-BB26 | 11-9 | 175 | MS27039-0807 | 7-5 | 600 |
| MS24693-BB26 | 11-6 | 430 | MS27039-0807 | 7-11 | 450 |
| MS24693-BB50 | 11-8 | 370 | MS27039-0808 | 6-5 | 110 |
| MS24693-BB50 | 11-7 | 810 | MS27039-0808 | 11-11 | 180 |
| MS24693-C274 | 7-1 | 820 | MS27039-0808 | 7-5 | 310 |
| MS24693-S25 | 7-10 | 440 | MS27039-0808 | 7-5 | 820 |
| MS24693-S25 | 7-11 | 420 | MS27039-0808 | 7-15 | 120 |
| MS24693S26 | 9-3 | 80 | MS27039-0808 | 7-16 | 260 |
| MS24693S26 | 9-4 | 190 | MS27039-0810 | 7-5 | 450 |
| MS24693-S287 | 4-2 | – | MS27039-1-09 | 7-6 | 110 |
| MS24693-S48 | 7-6 | 240 | MS27039-808 | 11-16 | 60 |
| MS24693-S49 | 7-2 | 100 | MS27404-4D | 11-8 | – |
| MS24693-S51 | 11-20 | 120 | MS27769D3 | 3-26 | 170 |
| MS24693-S51 | 7-1 | 680 | MS28775-015 | 3-5 | – |
| MS24693-S51 | 7-10 | 230 | MS28775-018 | 12-1 | 40 |
| MS24694-50 | 11-8 | – | MS28775-026 | 3-9 | 60 |
| MS24694-52 | 3-12 | 60 | MS28775-029 | 4-2 | 140 |
| MS24694-80 | 3-12 | 80 | MS28775-111 | 12-6 | 40 |
| MS24694-S13 | 7-4 | 280 | MS28775-111 | 12-5 | 740 |
| MS24694-S15 | 7-1 | 60 | MS28775-113 | 12-1 | 80 |
| MS24694-S52 | 7-6 | 140 | MS28775-116 | 6-11 | 290 |
| MS24694-S52 | 9-5 | 115 | MS28775-214 | 3-9 | 70 |
| MS24694-S58 | 6-13 | 192 | MS28775-218 | 3-9 | 40 |
| MS24694-S7 | 7-4 | 140 | MS28775-218 | 7-21 | 160 |
| MS25171-1S | 6-13 | 240 | MS28778-12 | 3-23 | 130 |
| MS25171-3S | 6-13 | 230 | MS28778-2 | 12-1 | 60 |
| MS25244-5 | 11-6 | 410 | MS28778-2 | 3-26 | 80 |
| MS25331-8 | 11-5 | 310 | MS28778-3 | 12-1 | 20 |
| MS26574-2 1/2 | 11-5 | 230 | MS28778-3 | 5-6 | – |

UNCONTROLLED COPY WHEN DOWNLOADED OR PRINTED

ENSTROM F-28/280 SERIES ILLUSTRATED PARTS CATALOG

PART NUMBER INDEX SECTIONS 3 THROUGH 7 AND 9 THROUGH 12 FIGURES 8-1 THROUGH 8-11

| Part Number | Figure | Item | Part Number | Figure | Item |
|-------------|--------|------|-------------|--------|------|
| MS28778-4 | 5-6 | – | MS35206-244 | 3-6 | 230 |
| MS28778-6 | 3-22 | – | MS35206-244 | 3-7 | 250 |
| MS28778-6 | 3-22 | – | MS35206-244 | 3-7 | 280 |
| MS28778-6 | 3-23 | 360 | MS35206-244 | 3-9 | 90 |
| MS28778-8 | 3-7 | 101 | MS35206-244 | 6-11 | 61 |
| MS28778-8 | 3-7 | 11 | MS35206-244 | 6-2 | – |
| MS28778-8 | 3-7 | 321 | MS35206-244 | 6-2 | – |
| MS28884A-6 | 3-4 | 140 | MS35206-244 | 11-7 | 860 |
| MS28889-2 | 7-21 | 90 | MS35206-244 | 7-10 | 340 |
| MS29512-06 | 3-22 | – | MS35206-245 | 10-4 | 430 |
| MS29512-06 | 3-22 | – | MS35206-245 | 11-15 | 105 |
| MS29512-06 | 3-22 | – | MS35206-245 | 11-19 | 235 |
| MS29513-010 | 3-26 | 60 | MS35206-245 | 11-19 | 80 |
| MS29513-113 | 3-26 | 40 | MS35206-245 | 12-4 | 90 |
| MS30526-230 | 3-24 | 130 | MS35206-245 | 3-19 | 140 |
| MS33737-16C | 11-8 | 70 | MS35206-245 | 3-20 | 570 |
| MS33737-16C | 11-7 | 110 | MS35206-245 | 3-20A | 570 |
| MS35190-253 | 11-8 | 305 | MS35206-245 | 3-20B | 570 |
| MS35190-253 | 11-9 | 230 | MS35206-245 | 3-23 | 482 |
| MS35190-253 | 11-7 | 650 | MS35206-245 | 3-24 | – |
| MS35206-219 | 8-9 | 60 | MS35206-245 | 3-24 | – |
| MS35206-219 | 8-10 | 60 | MS35206-245 | 3-24 | – |
| MS35206-227 | 7-1 | – | MS35206-245 | 3-24 | 130 |
| MS35206-228 | 6-11 | 100 | MS35206-245 | 11-17 | 150 |
| MS35206-228 | 6-4 | 300 | MS35206-245 | 7-9 | 300 |
| MS35206-228 | 11-20 | 40 | MS35206-245 | 7-9 | 400 |
| MS35206-228 | 7-9 | 50 | MS35206-245 | 7-10 | 640 |
| MS35206-229 | 11-20 | 50 | MS35206-246 | 11-15 | 115 |
| MS35206-230 | 3-26 | 110 | MS35206-246 | 3-22 | 400 |
| MS35206-230 | 6-11 | – | MS35206-246 | 3-23 | 80 |
| MS35206-230 | 7-1 | – | MS35206-246 | 3-24 | 240 |
| MS35206-244 | 11-8 | 395 | MS35206-246 | 3-5 | 50 |
| MS35206-244 | 11-9 | 305 | MS35206-246 | 3-6 | 90 |
| MS35206-244 | 3-17 | 140 | MS35206-246 | 3-7 | 50 |
| MS35206-244 | 3-19 | – | MS35206-246 | 6-1 | 130 |
| MS35206-244 | 3-20 | 430 | MS35206-246 | 6-1 | 70 |
| MS35206-244 | 3-20A | 430 | MS35206-246 | 6-2 | – |
| MS35206-244 | 3-20B | 430 | MS35206-246 | 6-2 | – |

UNCONTROLLED COPY WHEN DOWNLOADED OR PRINTED

ENSTROM F-28/280 SERIES ILLUSTRATED PARTS CATALOG

PART NUMBER INDEX SECTIONS 3 THROUGH 7 AND 9 THROUGH 12 FIGURES 8-1 THROUGH 8-11

| Part Number | Figure | Item | Part Number | Figure | Item |
|---------------|--------|------|-------------|--------|------|
| MS35206-246 | 6-2 | – | MS35214-26 | 11-9 | – |
| MS35206-246 | 11-16 | 120 | MS35214-26 | 11-9 | – |
| MS35206-246 | 7-10 | 580 | MS35214-26 | 11-9 | 53 |
| MS35206-247 | 11-8 | 410 | MS35214-27 | 11-8 | 129 |
| MS35206-247 | 11-9 | 320 | MS35214-27 | 11-9 | – |
| MS35206-247 | 11-15 | 140 | MS35214-28 | 11-7 | 480 |
| MS35206-247 | 6-2 | – | MS35214-28 | 11-8 | 225 |
| MS35206-247 | 11-7 | 770 | MS35214-29 | 11-6 | 50 |
| MS35206-249 | 11-15 | 135 | MS35214-30 | 11-5 | – |
| MS35206-249 | 11-14 | 110 | MS35214-30 | 11-6 | 140 |
| MS35206-249 | 12-9 | 210 | MS35214-30 | 11-7 | 200 |
| MS35206-250 | 11-8 | 430 | MS35214-30 | 11-8 | 95 |
| MS35206-250 | 11-9 | 340 | MS35214-30 | 11-9 | – |
| MS35206-250 | 11-7 | 900 | MS35214-31 | 11-6 | 60 |
| MS35206-251 | 11-15 | 100 | MS35214-31 | 11-7 | 100 |
| MS35206-251 | 11-14 | – | MS35214-31 | 11-8 | 65 |
| MS35207-10-16 | 12-10 | 280 | MS35214-31 | 11-9 | – |
| MS35207-262 | 3-5A | 110 | MS35214-31 | 11-9 | – |
| MS35207-262 | 3-5A | 190 | MS35214-31 | 11-9 | – |
| MS35207-262 | 6-2 | – | MS35214-31 | 11-9 | – |
| MS35207-262 | 6-2 | – | MS35214-44 | 11-8 | 515 |
| MS35207-262 | 12-13 | 250 | MS35333-37 | 6-6 | 270 |
| MS35207-263 | 6-2 | – | MS35333-39 | 3-20 | 410 |
| MS35207-263 | 6-2 | – | MS35333-39 | 3-20A | 410 |
| MS35207-277 | 7-4 | 480 | MS35333-39 | 3-20B | 410 |
| MS35207-AR | 12-13 | 250 | MS35333-40 | 7-10 | 210 |
| MS35214-109 | 11-6 | 130 | MS35333-47 | 3-15 | 90 |
| MS35214-15 | 11-7 | 210 | MS35333-47 | 3-24 | 450 |
| MS35214-15 | 11-8 | – | MS35338-40 | 8-9 | 80 |
| MS35214-15 | 11-8 | 110 | MS35338-40 | 8-10 | 80 |
| MS35214-15 | 11-9 | – | MS35338-41 | 11-19 | 55 |
| MS35214-15 | 11-9 | – | MS35338-41 | 3-16 | 100 |
| MS35214-25 | 11-6 | 220 | MS35338-41 | 3-20 | 360 |
| MS35214-25 | 11-7 | 90 | MS35338-41 | 3-20A | 360 |
| MS35214-25 | 11-8 | 55 | MS35338-41 | 3-20B | 360 |
| MS35214-26 | 11-6 | 380 | MS35338-41 | 11-5 | – |
| MS35214-26 | 11-7 | 140 | MS35338-41 | 11-6 | 90 |
| MS35214-26 | 11-8 | 30 | MS35338-41 | 11-20 | 70 |

UNCONTROLLED COPY WHEN DOWNLOADED OR PRINTED

ENSTROM F-28/280 SERIES ILLUSTRATED PARTS CATALOG

PART NUMBER INDEX SECTIONS 3 THROUGH 7 AND 9 THROUGH 12 FIGURES 8-1 THROUGH 8-11

| Part Number | Figure | Item | Part Number | Figure | Item |
|-------------|--------|------|--------------|--------|------|
| MS35338-41 | 7-1 | - | MS35338-43 | 6-2 | - |
| MS35338-42 | 10-4 | 450 | MS35338-43 | 6-2 | - |
| MS35338-42 | 11-8 | 415 | MS35338-43 | 9-5 | 50 |
| MS35338-42 | 11-9 | 325 | MS35338-43 | 8-9 | - |
| MS35338-42 | 11-15 | 85 | MS35338-43 | 8-10 | - |
| MS35338-42 | 11-19 | 90 | MS35338-44 | 5-6 | 230 |
| MS35338-42 | 3-20 | 590 | MS35338-44 | 6-2 | - |
| MS35338-42 | 3-20A | 590 | MS35338-44 | 6-2 | - |
| MS35338-42 | 3-20B | 590 | MS35338-44 | 6-2 | - |
| MS35338-42 | 3-22 | 120 | MS35338-99 | 11-8 | 510 |
| MS35338-42 | 3-23 | 100 | MS353630-42 | 3-7 | 70 |
| MS35338-42 | 3-24 | - | MS35489-1 | 6-4 | - |
| MS35338-42 | 3-24 | - | MS35489-10 | 3-24 | - |
| MS35338-42 | 3-24 | - | MS35489-11 | 3-15 | 140 |
| MS35338-42 | 3-24 | 150 | MS35489-11 | 11-17 | 60 |
| MS35338-42 | 3-4 | 280 | MS35489-11 | 11-19 | 220 |
| MS35338-42 | 3-4 | 300 | MS35489-14 | 11-19 | 180 |
| MS35338-42 | 3-5 | 70 | MS35489-14 | 3-24 | - |
| MS35338-42 | 3-6 | 110 | MS35489-4 | 6-11 | - |
| MS35338-42 | 3-9 | 110 | MS35489-5 | 6-4 | 290 |
| MS35338-42 | 5-1 | 350 | MS35489-6 | 6-10 | 70 |
| MS35338-42 | 6-1 | - | MS35489-6 | 6-7 | 220 |
| MS35338-42 | 6-1 | - | MS35489-6 | 6-7 | 70 |
| MS35338-42 | 6-1 | - | MS35489-6 | 11-16 | 90 |
| MS35338-42 | 6-1 | - | MS35489-6 | 11-17 | 80 |
| MS35338-42 | 6-13 | - | MS35649-202 | 6-2 | - |
| MS35338-42 | 6-2 | - | MS35649-2312 | 3-3 | 290 |
| MS35338-42 | 6-2 | - | MS35649-242 | 8-9 | 90 |
| MS35338-42 | 6-2 | - | MS35649-242 | 8-10 | 90 |
| MS35338-42 | 11-7 | 780 | MS35649-262 | 11-19 | 60 |
| MS35338-42 | 11-7 | 910 | MS35649-262 | 3-20 | 370 |
| MS35338-42 | 11-14 | 130 | MS35649-262 | 3-20A | 370 |
| MS35338-42 | 11-16 | 70 | MS35649-262 | 3-20B | 370 |
| MS35338-42 | 11-17 | 170 | MS35649-262 | 3-26 | 120 |
| MS35338-42 | 7-1 | 660 | MS35649-262 | 11-5 | - |
| MS35338-42 | 7-2 | 120 | MS35649-262 | 11-6 | 80 |
| MS35338-43 | 3-1 | 80 | MS35649-282 | 10-4 | 460 |
| MS35338-43 | 3-25 | 60 | MS35649-282 | 11-8 | 420 |

UNCONTROLLED COPY WHEN DOWNLOADED OR PRINTED

ENSTROM F-28/280 SERIES ILLUSTRATED PARTS CATALOG

PART NUMBER INDEX SECTIONS 3 THROUGH 7 AND 9 THROUGH 12 FIGURES 8-1 THROUGH 8-11

| Part Number | Figure | Item | Part Number | Figure | Item |
|-------------|--------|------|----------------|--------|------|
| MS35649-282 | 11-9 | 330 | MS35769-6 | 5-6 | 140 |
| MS35649-282 | 11-15 | 90 | MS35769-6 | 6-11 | 20 |
| MS35649-282 | 11-19 | 95 | MS35769-9 | 12-1 | 100 |
| MS35649-282 | 12-4 | 120 | MS35769-9 | 5-6 | 120 |
| MS35649-282 | 3-20 | 600 | MS35842-13 | 3-3 | 260 |
| MS35649-282 | 3-20A | 600 | MS51500-B6-8 | 3-8 | 140 |
| MS35649-282 | 3-20B | 600 | MS51525-B6-8 | 3-22 | 210 |
| MS35649-282 | 3-22 | 130 | MS51525B6-8Z | 3-23 | 120 |
| MS35649-282 | 3-23 | 110 | MS51529B6S | 3-22 | 360 |
| MS35649-282 | 3-24 | - | MS51529B6S | 3-23 | 350 |
| MS35649-282 | 3-24 | - | MS51861-24 | 3-17 | 30 |
| MS35649-282 | 3-24 | - | MS51861-24 | 3-17 | 60 |
| MS35649-282 | 3-24 | 140 | MS51861-24 | 7-5 | 860 |
| MS35649-282 | 3-4 | 310 | MS51861-25 | 7-1 | - |
| MS35649-282 | 3-5 | 80 | MS51861-25 | 7-5 | 640 |
| MS35649-282 | 3-6 | 120 | MS51861-35 | 3-27 | - |
| MS35649-282 | 3-7 | 80 | MS51861-35 | 3-28 | - |
| MS35649-282 | 3-9 | 120 | MS51861-35 | 6-1 | 110 |
| MS35649-282 | 5-1 | 370 | MS51861-35 | 6-1 | 50 |
| MS35649-282 | 6-1 | - | MS51861-35 | 7-9 | 210 |
| MS35649-282 | 6-1 | - | MS51861-36 | 3-20 | 291 |
| MS35649-282 | 6-1 | - | MS51862-13 | 7-1 | 130 |
| MS35649-282 | 6-1 | - | MS51862-13 | 7-4 | 400 |
| MS35649-282 | 6-13 | - | MS51862-13 | 7-5 | 590 |
| MS35649-282 | 6-2 | - | MS51862-14 | 7-4 | 600 |
| MS35649-282 | 6-2 | - | MS75028-22 | 11-17 | 30 |
| MS35649-282 | 6-2 | - | MS9021-152 | 5-4 | 50 |
| MS35649-282 | 8-3A | 290 | MS9352-03 | 3-22 | 460 |
| MS35649-282 | 11-7 | 790 | MTK8 | 5-3 | 520 |
| MS35649-282 | 11-14 | 140 | MW-3TM-29 | 3-14 | 30 |
| MS35649-282 | 11-16 | 80 | N-09 | 4-3 | 10 |
| MS35649-282 | 11-17 | 180 | N5000-112-PP | 12-9 | 80 |
| MS35649-282 | 7-1 | 700 | N5000-137-S-PP | 5-3 | 30 |
| MS35649-282 | 7-2 | 130 | N5000-175-PP | 12-1 | 170 |
| MS35650-302 | 9-5 | 55 | N5000-187-ZD | 12-3 | 30 |
| MS35650-302 | 8-9 | - | N5000-206-PP | 12-1 | 210 |
| MS35650-302 | 8-10 | - | N5000-268-PP | 12-7 | 100 |
| MS35769-11 | 5-6 | 125 | N5000-62-PP | 11-18 | 110 |

UNCONTROLLED COPY WHEN DOWNLOADED OR PRINTED

ENSTROM F-28/280 SERIES ILLUSTRATED PARTS CATALOG

PART NUMBER INDEX SECTIONS 3 THROUGH 7 AND 9 THROUGH 12 FIGURES 8-1 THROUGH 8-11

| Part Number | Figure | Item | Part Number | Figure | Item |
|----------------|--------|------|---------------|--------|------|
| N5000-62-PP | 12-4 | 190 | NAS1097AD3-3 | 3-20 | - |
| N5000-62-PP | 8-9 | 150 | NAS1097AD3-3 | 3-20A | - |
| N5000-62-PP | 8-10 | 150 | NAS1097AD3-3 | 3-20A | - |
| N5000-87 | 8-9 | 290 | NAS1097AD3-3 | 3-20B | - |
| N5000-87 | 8-10 | 290 | NAS1097AD3-3 | 3-20B | - |
| N5000-87-PP | 8-9 | 290 | NAS1097AD3-3 | 6-12 | 50 |
| N5000-87-PP | 8-10 | 290 | NAS1097AD3-4 | 3-20 | - |
| N5002-100 | 12-13 | 100 | NAS1097AD3-4 | 3-20 | - |
| N5002-100 | 12-12 | 80 | NAS1097AD3-4 | 3-20 | - |
| N5002-125-PP | 8-1 | 40 | NAS1097AD3-4 | 3-20 | - |
| N5002-268-PP | 12-8 | 80 | NAS1097AD3-4 | 3-20 | - |
| N5002-354-S-PP | 5-4 | 310 | NAS1097AD3-4 | 3-20 | - |
| N5108-56-PP | 8-9 | 370 | NAS1097AD3-4 | 3-20 | - |
| N5108-56-PP | 8-10 | 370 | NAS1097AD3-4 | 3-20A | - |
| NAJ-02BC | 3-20A | - | NAS1097AD3-4 | 3-20A | - |
| NAJ1-02 | 3-26 | - | NAS1097AD3-4 | 3-20A | - |
| NAJ1-02BC | 3-20A | - | NAS1097AD3-4 | 3-20A | - |
| NAJ1-02BC | 3-20A | - | NAS1097AD3-4 | 3-20A | - |
| NAJ17-02BC | 3-20A | - | NAS1097AD3-4 | 3-20A | - |
| NAJ17-02BC | 3-20B | - | NAS1097AD3-4 | 3-20B | - |
| NAJ17-82BC | 3-19 | - | NAS1097AD3-4 | 3-20B | - |
| NAJ17-82BC | 3-20 | - | NAS1097AD3-4 | 3-20B | - |
| NAJ17-82BC | 3-20A | - | NAS1097AD3-4 | 3-20B | - |
| NAJ1-82BC | 3-18 | - | NAS1097AD3-4 | 3-20B | - |
| NAJ1-82BC | 3-18 | - | NAS1097AD3-4 | 3-20B | - |
| NAJ1-82BC | 3-19 | 30 | NAS1101-08-6 | 8-7 | - |
| NAJ1-82BC | 3-20A | - | NAS1101-08-6 | 8-10 | 380 |
| NAJ1-82BC | 3-20B | - | NAS1101-08-8 | 8-9 | 130 |
| NAJ5-048 | 5-3 | - | NAS1101-08-8 | 8-9 | 380 |
| NAS1023D08K | 3-18 | - | NAS1101-08-8 | 8-10 | 130 |
| NAS1023D08K | 3-18 | - | NAS1101-3-10 | 8-3A | 260 |
| NAS1023D08K | 3-20A | - | NAS1101-3-10 | 8-9 | 20 |
| NAS1023D08K | 3-20B | - | NAS1101-3-10 | 8-10 | 20 |
| NAS1068A08 | 3-20 | - | NAS1101-3-10 | 7-15 | 140 |
| NAS1068A08 | 3-20A | - | NAS1101-3-10 | 7-16 | 240 |
| NAS1068A08 | 3-20B | - | NAS1101-3-8 | 8-9 | - |
| NAS1097AD3-3 | 3-18 | - | NAS1101-3-8 | 8-10 | - |
| NAS1097AD3-3 | 3-20 | - | NAS1149C0332R | 12-3 | 80 |

UNCONTROLLED COPY WHEN DOWNLOADED OR PRINTED

ENSTROM F-28/280 SERIES ILLUSTRATED PARTS CATALOG

PART NUMBER INDEX SECTIONS 3 THROUGH 7 AND 9 THROUGH 12 FIGURES 8-1 THROUGH 8-11

| Part Number | Figure | Item | Part Number | Figure | Item |
|---------------|--------|------|---------------|--------|------|
| NAS1149C0332R | 11-11 | 80 | NAS1149F0332P | 3-10 | 150 |
| NAS1149C0332R | 7-1 | - | NAS1149F0332P | 3-10 | 180 |
| NAS1149C0363R | 3-29 | 110 | NAS1149F0332P | 3-12 | 40 |
| NAS1149C0432R | 12-6 | 80 | NAS1149F0332P | 3-13 | 50 |
| NAS1149C0463R | 12-6 | 60 | NAS1149F0332P | 3-14 | 20 |
| NAS1149C0463R | 12-6 | 70 | NAS1149F0332P | 3-15 | 20 |
| NAS1149C0463R | 5-3 | 160 | NAS1149F0332P | 3-20 | 575 |
| NAS1149C0463R | 12-5 | 750 | NAS1149F0332P | 3-20A | 575 |
| NAS1149C0563R | 3-29 | 140 | NAS1149F0332P | 3-20B | 575 |
| NAS1149C0563R | 7-1 | 140 | NAS1149F0332P | 3-20B | 575 |
| NAS1149C0632R | 3-8 | 170 | NAS1149F0332P | 3-24 | 540 |
| NAS1149C1290R | 4-2 | 260 | NAS1149F0332P | 3-25 | 70 |
| NAS1149C1290R | 5-3 | 470 | NAS1149F0332P | 3-5A | 120 |
| NAS1149C1290R | 7-20 | 570 | NAS1149F0332P | 3-5A | 200 |
| NAS1149D0316H | 3-26 | 210 | NAS1149F0332P | 3-6 | 260 |
| NAS1149D0316H | 7-6 | 120 | NAS1149F0332P | 3-7 | 160 |
| NAS1149D0316H | 7-16 | 50 | NAS1149F0332P | 3-7 | 260 |
| NAS1149D0316J | 9-5 | 45 | NAS1149F0332P | 3-9 | 150 |
| NAS1149D0316J | 9-5 | 65 | NAS1149F0332P | 5-1 | 130 |
| NAS1149D0316J | 7-17 | 100 | NAS1149F0332P | 5-2 | 60 |
| NAS1149D0363J | 7-9 | 340 | NAS1149F0332P | 5-3 | 200 |
| NAS1149D0463J | 11-20 | 140 | NAS1149F0332P | 5-3 | 440 |
| NAS1149D0463J | 7-17 | 210 | NAS1149F0332P | 5-5 | 260 |
| NAS1149D0563H | 4-1 | 30 | NAS1149F0332P | 6-13 | - |
| NAS1149D0563H | 8-4 | 220 | NAS1149F0332P | 6-13 | - |
| NAS1149D0663H | 4-2 | 310 | NAS1149F0332P | 6-13 | 187 |
| NAS1149DN832H | 4-1 | 160 | NAS1149F0332P | 6-13 | 194 |
| NAS1149DN832H | 4-2 | 230 | NAS1149F0332P | 6-13 | 40 |
| NAS1149DN832H | 4-2 | 40 | NAS1149F0332P | 6-13 | 60 |
| NAS1149DN832H | 6-11 | 220 | NAS1149F0332P | 6-2 | - |
| NAS1149F0316P | 6-2 | - | NAS1149F0332P | 6-2 | - |
| NAS1149F0316P | 8-11 | 60 | NAS1149F0332P | 6-2 | - |
| NAS1149F0316P | 12-13 | 240 | NAS1149F0332P | 6-2 | - |
| NAS1149F0332P | 11-9 | 215 | NAS1149F0332P | 6-3 | 30 |
| NAS1149F0332P | 12-1 | 230 | NAS1149F0332P | 8-11 | 55 |
| NAS1149F0332P | 12-7 | 200 | NAS1149F0332P | 8-3A | 270 |
| NAS1149F0332P | 12-8 | 270 | NAS1149F0332P | 8-5 | 250 |
| NAS1149F0332P | 3-1 | 60 | NAS1149F0332P | 8-5A | 150 |

UNCONTROLLED COPY WHEN DOWNLOADED OR PRINTED

ENSTROM F-28/280 SERIES ILLUSTRATED PARTS CATALOG

PART NUMBER INDEX SECTIONS 3 THROUGH 7 AND 9 THROUGH 12 FIGURES 8-1 THROUGH 8-11

| Part Number | Figure | Item | Part Number | Figure | Item |
|---------------|--------|------|---------------|--------|------|
| NAS1149F0332P | 8-6 | 50 | NAS1149F0363P | 11-7 | 640 |
| NAS1149F0332P | 8-6A | 140 | NAS1149F0363P | 7-3 | 100 |
| NAS1149F0332P | 8-7 | 60 | NAS1149F0363P | 7-4 | 160 |
| NAS1149F0332P | 9-5 | 15 | NAS1149F0363P | 7-5 | 580 |
| NAS1149F0332P | 11-7 | 620 | NAS1149F0363P | 7-9 | 130 |
| NAS1149F0332P | 12-13 | – | NAS1149F0363P | 7-10 | 660 |
| NAS1149F0332P | 7-3 | 60 | NAS1149F0363P | 7-15 | 110 |
| NAS1149F0332P | 7-5 | 430 | NAS1149F0363P | 7-20 | 150 |
| NAS1149F0332P | 7-5 | 880 | NAS1149F0363P | 12-5 | 700 |
| NAS1149F0332P | 7-9 | 100 | NAS1149F0363P | 12-10 | 290 |
| NAS1149F0332P | 7-10 | 600 | NAS1149F0363P | 12-11 | 320 |
| NAS1149F0332P | 7-15 | 60 | NAS1149F0363P | 12-12 | 220 |
| NAS1149F0332P | 7-16 | 160 | NAS1149F0432P | 3-11 | 360 |
| NAS1149F0332P | 7-17 | 150 | NAS1149F0432P | 3-20 | 390 |
| NAS1149F0332P | 12-5 | 140 | NAS1149F0432P | 3-20 | 460 |
| NAS1149F0363P | 11-8 | 320 | NAS1149F0432P | 3-20 | 540 |
| NAS1149F0363P | 11-9 | 245 | NAS1149F0432P | 3-20A | 390 |
| NAS1149F0363P | 12-4 | 270 | NAS1149F0432P | 3-20A | 460 |
| NAS1149F0363P | 12-4 | –290 | NAS1149F0432P | 3-20A | 540 |
| NAS1149F0363P | 3-11 | 140 | NAS1149F0432P | 3-20B | 390 |
| NAS1149F0363P | 3-11 | 400 | NAS1149F0432P | 3-20B | 460 |
| NAS1149F0363P | 3-11 | 90 | NAS1149F0432P | 3-20B | 540 |
| NAS1149F0363P | 3-12 | 30 | NAS1149F0432P | 3-22 | 170 |
| NAS1149F0363P | 3-20 | 510 | NAS1149F0432P | 3-22 | 170 |
| NAS1149F0363P | 3-20A | 510 | NAS1149F0432P | 3-29 | 120 |
| NAS1149F0363P | 3-20B | 510 | NAS1149F0432P | 5-1 | 20 |
| NAS1149F0363P | 3-23 | 570 | NAS1149F0432P | 5-5 | 110 |
| NAS1149F0363P | 3-28 | 340 | NAS1149F0432P | 5-7 | 75 |
| NAS1149F0363P | 3-6 | 160 | NAS1149F0432P | 6-13 | – |
| NAS1149F0363P | 3-7 | 130 | NAS1149F0432P | 6-2 | – |
| NAS1149F0363P | 5-1 | 450 | NAS1149F0432P | 6-2 | – |
| NAS1149F0363P | 5-3 | 210 | NAS1149F0432P | 6-2 | – |
| NAS1149F0363P | 6-13 | – | NAS1149F0432P | 6-2 | – |
| NAS1149F0363P | 6-13 | 193 | NAS1149F0432P | 8-11 | 140 |
| NAS1149F0363P | 8-2 | 20 | NAS1149F0432P | 8-2 | 50 |
| NAS1149F0363P | 8-9 | 30 | NAS1149F0432P | 8-4 | 240 |
| NAS1149F0363P | 8-10 | 30 | NAS1149F0432P | 8-8 | 40 |
| NAS1149F0363P | 9-5 | 120 | NAS1149F0432P | 12-13 | 260 |

UNCONTROLLED COPY WHEN DOWNLOADED OR PRINTED

ENSTROM F-28/280 SERIES ILLUSTRATED PARTS CATALOG

PART NUMBER INDEX SECTIONS 3 THROUGH 7 AND 9 THROUGH 12 FIGURES 8-1 THROUGH 8-11

| Part Number | Figure | Item | Part Number | Figure | Item |
|---------------|--------|------|---------------|--------|------|
| NAS1149F0432P | 7-13 | 40 | NAS1149F0532P | 8-5 | 450 |
| NAS1149F0432P | 7-15 | 180 | NAS1149F0532P | 8-5A | 100 |
| NAS1149F0432P | 7-16 | 210 | NAS1149F0532P | 7-20 | 80 |
| NAS1149F0432P | 7-17 | 240 | NAS1149F0532P | 7-20 | – |
| NAS1149F0432P | 7-19 | 90 | NAS1149F0532P | 7-21 | 20 |
| NAS1149F0432P | 7-20 | 110 | NAS1149F0532P | 12-5 | 220 |
| NAS1149F0432P | 7-22 | 80 | NAS1149F0563P | 8-4 | 170 |
| NAS1149F0432P | 12-5 | 360 | NAS1149F0563P | 12-7 | –55 |
| NAS1149F0463P | 12-6 | 200 | NAS1149F0563P | 12-8 | –230 |
| NAS1149F0463P | 3-11 | 350 | NAS1149F0563P | 4-1 | 60 |
| NAS1149F0463P | 3-22 | 280 | NAS1149F0563P | 4-2 | 360 |
| NAS1149F0463P | 3-23 | 300 | NAS1149F0563P | 5-1 | 420 |
| NAS1149F0463P | 4-4 | 160 | NAS1149F0563P | 5-2 | 90 |
| NAS1149F0463P | 4-4 | 310 | NAS1149F0563P | 5-4 | 220 |
| NAS1149F0463P | 5-1 | 280 | NAS1149F0563P | 8-3 | 30 |
| NAS1149F0463P | 5-3 | 390 | NAS1149F0563P | 8-5 | 440 |
| NAS1149F0463P | 5-4 | 400 | NAS1149F0563P | 8-6A | 170 |
| NAS1149F0463P | 5-5 | 330 | NAS1149F0563P | 7-13 | 70 |
| NAS1149F0463P | 5-6 | 240 | NAS1149F0563P | 7-19 | 60 |
| NAS1149F0463P | 8-3 | 80 | NAS1149F0563P | 7-20 | 310 |
| NAS1149F0463P | 8-4 | 290 | NAS1149F0563P | 12-5 | 210 |
| NAS1149F0463P | 8-5 | 380 | NAS1149F0632P | 3-10 | 110 |
| NAS1149F0463P | 8-8 | 150 | NAS1149F0632P | 5-4 | 370 |
| NAS1149F0463P | 7-5 | 900 | NAS1149F0632P | 8-1 | 110 |
| NAS1149F0463P | 7-13 | 20 | NAS1149F0632P | 7-20 | 450 |
| NAS1149F0463P | 7-17 | 170 | NAS1149F0663P | 5-6 | 270 |
| NAS1149F0463P | 7-20 | 250 | NAS1149F0663P | 7-19 | 30 |
| NAS1149F0463P | 12-5 | 760 | NAS1149F0732P | 3-10 | 120 |
| NAS1149F0463P | 12-9 | 130 | NAS1149F0732P | 3-14 | 110 |
| NAS1149F0463P | 12-10 | 220 | NAS1149F0732P | 3-15 | 130 |
| NAS1149F0532P | 12-7 | 50 | NAS1149F0732P | 3-24 | 200 |
| NAS1149F0532P | 12-8 | 220 | NAS1149F0732P | 3-30 | 80 |
| NAS1149F0532P | 3-11 | – | NAS1149F0732P | 8-1 | 100 |
| NAS1149F0532P | 3-29 | 130 | NAS1149F0763P | 3-30 | 70 |
| NAS1149F0532P | 4-2 | 360 | NAS1149F0763P | 11-11 | 120 |
| NAS1149F0532P | 5-1 | 410 | NAS1149F0763P | 11-15 | 20 |
| NAS1149F0532P | 6-13 | – | NAS1149F0763P | 12-13 | 340 |
| NAS1149F0532P | 8-4 | 210 | NAS1149F0763P | 12-5 | 560 |

UNCONTROLLED COPY WHEN DOWNLOADED OR PRINTED

ENSTROM F-28/280 SERIES ILLUSTRATED PARTS CATALOG

PART NUMBER INDEX SECTIONS 3 THROUGH 7 AND 9 THROUGH 12 FIGURES 8-1 THROUGH 8-11

| Part Number | Figure | Item | Part Number | Figure | Item |
|---------------|--------|------|---------------|--------|------|
| NAS1149F0763P | 12-9 | 20 | NAS1149FN616P | 6-4 | – |
| NAS1149F0763P | 12-11 | 20 | NAS1149FN616P | 6-4 | – |
| NAS1149F0763P | 12-12 | 310 | NAS1149FN616P | 6-4 | – |
| NAS1149F0863P | 3-24 | 200 | NAS1149FN616P | 6-4 | – |
| NAS1149F0863P | 5-4 | 160 | NAS1149FN616P | 6-6 | 220 |
| NAS1149F0963P | 3-2 | 220 | NAS1149FN616P | 11-5 | – |
| NAS1149F1232P | 3-10 | 110 | NAS1149FN616P | 11-6 | 100 |
| NAS1149F1232P | 3-15 | 120 | NAS1149FN616P | 11-7 | 150 |
| NAS1149F1232P | 3-24 | 440 | NAS1149FN616P | 7-1 | – |
| NAS1149FN316P | 3-20 | – | NAS1149FN616P | 7-8 | 140 |
| NAS1149FN316P | 3-20 | – | NAS1149FN616P | 7-9 | 60 |
| NAS1149FN316P | 3-20 | – | NAS1149FN616P | 7-10 | 450 |
| NAS1149FN316P | 3-20A | – | NAS1149FN632P | 3-20 | 350 |
| NAS1149FN316P | 3-20A | – | NAS1149FN632P | 3-20A | 350 |
| NAS1149FN316P | 3-20A | – | NAS1149FN632P | 3-20B | 350 |
| NAS1149FN316P | 3-20B | – | NAS1149FN632P | 6-11 | 110 |
| NAS1149FN316P | 3-26 | 140 | NAS1149FN632P | 6-6 | 180 |
| NAS1149FN316P | 6-7 | 150 | NAS1149FN632P | 7-21 | 270 |
| NAS1149FN416P | 11-7 | 220 | NAS1149FN816F | 3-9 | 100 |
| NAS1149FN416P | 11-8 | 115 | NAS1149FN816P | 10-4 | 440 |
| NAS1149FN416P | 11-9 | – | NAS1149FN816P | 3-10 | 90 |
| NAS1149FN416P | 8-9 | 70 | NAS1149FN816P | 3-17 | 150 |
| NAS1149FN416P | 8-10 | 70 | NAS1149FN816P | 3-17 | 190 |
| NAS1149FN416P | 7-2 | 160 | NAS1149FN816P | 3-2 | 180 |
| NAS1149FN616P | 11-8 | 35 | NAS1149FN816P | 3-20 | 440 |
| NAS1149FN616P | 11-9 | – | NAS1149FN816P | 3-20 | 580 |
| NAS1149FN616P | 11-9 | – | NAS1149FN816P | 3-20A | 440 |
| NAS1149FN616P | 11-9 | – | NAS1149FN816P | 3-20A | 580 |
| NAS1149FN616P | 11-19 | 50 | NAS1149FN816P | 3-20B | 440 |
| NAS1149FN616P | 3-16 | 90 | NAS1149FN816P | 3-20B | 580 |
| NAS1149FN616P | 3-17 | 100 | NAS1149FN816P | 3-22 | 110 |
| NAS1149FN616P | 3-17 | 120 | NAS1149FN816P | 3-23 | 90 |
| NAS1149FN616P | 3-17 | 40 | NAS1149FN816P | 3-23 | 483 |
| NAS1149FN616P | 3-17 | 70 | NAS1149FN816P | 3-24 | – |
| NAS1149FN616P | 6-11 | – | NAS1149FN816P | 3-24 | – |
| NAS1149FN616P | 6-11 | – | NAS1149FN816P | 3-24 | – |
| NAS1149FN616P | 6-4 | – | NAS1149FN816P | 3-24 | 160 |
| NAS1149FN616P | 6-4 | – | NAS1149FN816P | 3-4 | 290 |

UNCONTROLLED COPY WHEN DOWNLOADED OR PRINTED

ENSTROM F-28/280 SERIES ILLUSTRATED PARTS CATALOG

PART NUMBER INDEX SECTIONS 3 THROUGH 7 AND 9 THROUGH 12 FIGURES 8-1 THROUGH 8-11

| Part Number | Figure | Item | Part Number | Figure | Item |
|---------------|--------|------|---------------|--------|------|
| NAS1149FN816P | 3-5 | 60 | NAS1149FN816P | 7-5 | 340 |
| NAS1149FN816P | 3-6 | 100 | NAS1149FN816P | 7-8 | 40 |
| NAS1149FN816P | 3-7 | 60 | NAS1149FN816P | 7-9 | 310 |
| NAS1149FN816P | 4-1 | 310 | NAS1149FN816P | 7-10 | 350 |
| NAS1149FN816P | 5-1 | 360 | NAS1149FN816P | 7-11 | 460 |
| NAS1149FN816P | 6-1 | – | NAS1149FN816P | 7-15 | 330 |
| NAS1149FN816P | 6-1 | – | NAS1149FN816P | 7-16 | 80 |
| NAS1149FN816P | 6-1 | – | NAS1149FN816P | 7-17 | 130 |
| NAS1149FN816P | 6-2 | – | NAS1149FN832P | 11-8 | 310 |
| NAS1149FN816P | 6-2 | – | NAS1149FN832P | 11-9 | 235 |
| NAS1149FN816P | 6-2 | – | NAS1149FN832P | 12-4 | 100 |
| NAS1149FN816P | 6-2 | – | NAS1149FN832P | 12-4 | 320 |
| NAS1149FN816P | 6-2 | – | NAS1149FN832P | 3-24 | 145 |
| NAS1149FN816P | 6-4 | – | NAS1149FN832P | 3-7 | 260 |
| NAS1149FN816P | 6-5 | – | NAS1149FN832P | 3-7 | 290 |
| NAS1149FN816P | 6-5 | – | NAS1149FN832P | 6-1 | – |
| NAS1149FN816P | 6-5 | 225 | NAS1149FN832P | 6-11 | 70 |
| NAS1149FN816P | 6-5 | 31 | NAS1149FN832P | 6-13 | – |
| NAS1149FN816P | 6-6 | 330 | NAS1149FN832P | 6-7 | 120 |
| NAS1149FN816P | 6-7 | 100 | NAS1149FN832P | 6-7 | 200 |
| NAS1149FN816P | 8-6 | 110 | NAS1149FN832P | 11-7 | 660 |
| NAS1149FN816P | 8-6A | 50 | NAS1149FN832P | 11-11 | 190 |
| NAS1149FN816P | 8-9 | 120 | NAS1149FN832P | 7-1 | 160 |
| NAS1149FN816P | 8-10 | 120 | NAS1149FN832P | 7-8 | 120 |
| NAS1149FN816P | 11-14 | 120 | NAS1149FN832P | 12-9 | 220 |
| NAS1149FN816P | 11-15 | 80 | NAS1351-3H10P | 12-1 | 150 |
| NAS1149FN816P | 11-16 | 130 | NAS13523H8P | 3-3 | 350 |
| NAS1149FN816P | 11-17 | 160 | NAS1352-3H8P | 3-3 | 210 |
| NAS1149FN816P | 11-19 | 240 | NAS-1368-N8A | 7-14 | 260 |
| NAS1149FN816P | 11-19 | 85 | NAS-1368-N8A | 7-15 | 230 |
| NAS1149FN816P | 7-1 | 70 | NAS-1368-N8A | 7-16 | 300 |
| NAS1149FN816P | 7-1 | – | NAS-1368-N8A | 7-17 | 220 |
| NAS1149FN816P | 7-1 | – | NAS-146-DH-22 | 7-13 | 120 |
| NAS1149FN816P | 7-1 | 650 | NAS146DH24 | 7-13 | 100 |
| NAS1149FN816P | 7-1 | – | NAS1523-4E | 5-6 | 300 |
| NAS1149FN816P | 7-2 | 110 | NAS1523-4E | 5-7 | 70 |
| NAS1149FN816P | 7-4 | 190 | NAS1611-010 | 3-26 | 80 |
| NAS1149FN816P | 7-5 | 190 | NAS1611-025 | 4-4 | 110 |

UNCONTROLLED COPY WHEN DOWNLOADED OR PRINTED

ENSTROM F-28/280 SERIES ILLUSTRATED PARTS CATALOG

PART NUMBER INDEX SECTIONS 3 THROUGH 7 AND 9 THROUGH 12 FIGURES 8-1 THROUGH 8-11

| Part Number | Figure | Item | Part Number | Figure | Item |
|--------------|--------|------|-------------|--------|------|
| NAS1611-025 | 4-4 | 40 | NAS6603-22 | 7-15 | 280 |
| NAS1611-029 | 4-2 | 140 | NAS6603-22 | 7-16 | 30 |
| NAS1611-137 | 4-4 | 150 | NAS6603-22 | 7-17 | 260 |
| NAS1611-326 | 4-4 | 90 | NAS6603-24 | 8-5 | 310 |
| NAS1611-333A | 11-18 | 80 | NAS6603-24 | 8-7 | 50 |
| NAS1611-333A | 12-4 | 50 | NAS6603-24 | 7-15 | 100 |
| NAS1612-10 | 4-4 | 240 | NAS6603-24 | 7-16 | 40 |
| NAS1612-2 | 4-4 | 250 | NAS6603-24 | 7-17 | 310 |
| NAS428-3A10 | 3-28 | 220 | NAS6603-26 | 7-15 | 50 |
| NAS428K4-16 | 3-11 | 180 | NAS6603-26 | 7-17 | 140 |
| NAS428K4-16 | 3-11 | 20 | NAS6603-4 | 7-5 | 870 |
| NAS428K4A16 | 3-11 | 20 | NAS6603-4 | 7-9 | 90 |
| NAS43HT3-48 | 5-5 | 270 | NAS6603-4 | 7-15 | 240 |
| NAS43HT4-64 | 3-20 | 550 | NAS6603-4 | 7-16 | 150 |
| NAS43HT4-64 | 3-20A | 550 | NAS6603-40 | 7-20 | 140 |
| NAS43HT4-64 | 3-20B | 550 | NAS6603D14 | 3-11 | 460 |
| NAS43HT4-64 | 3-7 | 380 | NAS6603D16 | 3-11 | 420 |
| NAS509-8 | 4-4 | 190 | NAS6603D2 | 8-6A | 130 |
| NAS509-8 | 5-3 | 500 | NAS6603D30 | 3-11 | 380 |
| NAS559-3 | 4-4 | 180 | NAS6603D4 | 12-3 | 70 |
| NAS559-3 | 5-3 | 510 | NAS6603D5 | 12-5 | 670 |
| NAS561C8-10 | 5-5 | 60 | NAS6603D6 | 12-7 | 190 |
| NAS6205-8D | 12-5 | 290 | NAS6603D7 | 12-5 | 710 |
| NAS620-6L | 6-11 | - | NAS6603D8 | 12-5 | 280 |
| NAS626-58 | 4-3 | 90 | NAS6603D9 | 12-5 | 850 |
| NAS636A08 | 6-8 | - | NAS6603H1 | 12-1 | 240 |
| NAS636A08 | 6-8 | - | NAS6603H1 | 12-5 | 600 |
| NAS6603-1 | 8-5 | 240 | NAS6604-1 | 7-13 | 30 |
| NAS6603-10 | 3-11 | 130 | NAS6604-1 | 12-10 | 180 |
| NAS6603-12 | 12-4 | 280 | NAS6604-11 | 7-17 | 340 |
| NAS6603-14 | 11-8 | 290 | NAS6604-11 | 8-8 | 140 |
| NAS6603-14 | 11-7 | 610 | NAS6604-13 | 8-8 | 30 |
| NAS6603-16 | 3-26 | 200 | NAS6604-17 | 7-13 | 50 |
| NAS6603-17 | 12-5 | 160 | NAS6604-17 | 7-19 | 80 |
| NAS6603-18 | 8-5A | 140 | NAS6604-17 | 7-20 | 290 |
| NAS66032 | 8-6 | 40 | NAS6604-23 | 8-8 | 110 |
| NAS66032 | 7-9 | 380 | NAS6604-25 | 7-15 | 270 |
| NAS6603-2 | 12-5 | 170 | NAS6604-25 | 7-16 | 200 |

UNCONTROLLED COPY WHEN DOWNLOADED OR PRINTED

ENSTROM F-28/280 SERIES ILLUSTRATED PARTS CATALOG

PART NUMBER INDEX SECTIONS 3 THROUGH 7 AND 9 THROUGH 12 FIGURES 8-1 THROUGH 8-11

| Part Number | Figure | Item | Part Number | Figure | Item |
|-------------|--------|------|-------------|--------|------|
| NAS6604-25 | 7-17 | 230 | NAS6605-5 | 7-20 | 60 |
| NAS6604-25 | 12-5 | 350 | NAS6605-52 | 7-20 | 330 |
| NAS6604-27 | 7-15 | 170 | NAS6605-56 | 7-20 | 300 |
| NAS6604-27 | 7-16 | 110 | NAS6605D11 | 8-4 | 200 |
| NAS6604-29 | 7-15 | 260 | NAS6605D11 | 8-5 | 520 |
| NAS6604-29 | 7-17 | 280 | NAS6605D11 | 8-6A | 160 |
| NAS6604-3 | 12-13 | 280 | NAS6605D13 | 8-3 | 20 |
| NAS6604-3 | 12-12 | 250 | NAS6605D13 | 8-5 | 510 |
| NAS6604-40 | 7-20 | 550 | NAS6605D15 | 8-5A | 90 |
| NAS6604-42 | 7-20 | 100 | NAS6605D21 | 8-4 | 140 |
| NAS6604-44 | 7-22 | 70 | NAS6605D9 | 8-5 | 430 |
| NAS6604-50 | 7-20 | 240 | NAS6605D9 | 12-5 | 320 |
| NAS6604-56 | 7-20 | 270 | NAS6605H7 | 7-13 | 90 |
| NAS6604-7 | 7-5 | 950 | NAS6605H9 | 7-13 | 60 |
| NAS6604-7 | 7-13 | 10 | NAS6606D25 | 8-5A | 60 |
| NAS6604-9 | 8-8 | 70 | NAS6607-5 | 12-13 | 350 |
| NAS6604D11 | 8-4 | 230 | NAS6607-5 | 12-9 | 10 |
| NAS6604D15 | 12-6 | 10 | NAS6607-5 | 12-11 | 10 |
| NAS6604D15 | 12-5 | 730 | NAS6607-5 | 12-12 | 320 |
| NAS6604D15 | 12-10 | 250 | NAS6607H5 | 12-5 | 570 |
| NAS6604D17 | 12-6 | 190 | NAS686A08K | 3-20 | – |
| NAS6604D17 | 8-3 | 70 | NAS686A08K | 3-20 | – |
| NAS6604D17 | 12-5 | 770 | NAS686A08K | 3-20A | – |
| NAS6604D19 | 12-5 | 440 | NAS686A08K | 3-20B | – |
| NAS6604D21 | 3-11 | 330 | NAS686A3K | 3-20 | – |
| NAS6604D23 | 8-5 | 370 | NAS686A3K | 3-20A | – |
| NAS6604D31 | 8-3A | 310 | NAS73-3-108 | 7-17 | 320 |
| NAS6604D56 | 3-11 | 270 | NAS73-3E002 | 3-28 | 360 |
| NAS6604D7 | 12-2 | 90 | NK 500-8-5 | 8-9 | 380 |
| NAS6604D7 | 12-5 | 390 | NK 500-8-5 | 8-10 | 380 |
| NAS6604H1 | 12-13 | 270 | NK4-7A | 7-17 | 200 |
| NAS6604H1 | 12-9 | 120 | NK500-416-7 | 3-20 | 380 |
| NAS6604H1 | 12-11 | 170 | NK500-416-7 | 3-20A | 380 |
| NAS6604H1 | 12-12 | 240 | NK500-416-7 | 3-20B | 380 |
| NAS6604H3 | 12-10 | 300 | NK500-416-7 | 3-22 | 160 |
| NAS6604H3 | 12-11 | 210 | NK500-8-10 | 7-1 | 150 |
| NAS6605-23 | 7-20 | 400 | NK500-8-5 | 7-1 | 860 |
| NAS6605-29 | 7-20 | 420 | NK500-8-A/R | 11-18 | 140 |

UNCONTROLLED COPY WHEN DOWNLOADED OR PRINTED

ENSTROM F-28/280 SERIES ILLUSTRATED PARTS CATALOG

PART NUMBER INDEX SECTIONS 3 THROUGH 7 AND 9 THROUGH 12 FIGURES 8-1 THROUGH 8-11

| Part Number | Figure | Item | Part Number | Figure | Item |
|----------------------|--------|------|----------------|--------|------|
| NK-500-8R6 | 4-1 | 150 | PR1425B2 | 7-5 | 40 |
| NK500-8-X | 12-4 | 310 | PS094032PG | 3-26 | 150 |
| NK501-10-6 | 11-18 | 135 | PVC-13 | 11-8 | 500 |
| NK501-10-6 | 12-4 | 260 | PWMS-H25-C | 6-14 | 60 |
| NK509-8R6 | 12-11 | 130 | Q30203DT | 12-9 | 160 |
| NK-510-10R10 | 4-1 | 250 | QS100-M12S | 3-3 | 130 |
| NK525-1032R12 | 7-5 | 650 | QS100-M28 | 3-28 | 200 |
| NK525-10R10 | 3-24 | 40 | QS100-M28S | 10-2 | 19 |
| NK525-10R12 | 3-24 | 40 | QS100-M52S | 3-5 | 110 |
| NK525-10R12 | 7-5 | 980 | QS200-M10S | 3-5 | 30 |
| NK525-832R10 | 7-5 | 800 | QS200-M24S | 3-5A | 40 |
| NK-525-8R8 | 7-11 | 350 | QS200-M24S | 3-5A | 60 |
| NO NUMBER | 11-15 | 65 | QS200-M28S | 10-4 | 380 |
| NO NUMBER | 11-1 | 20 | QS200-M40S | 10-3 | 18 |
| NO NUMBER | 11-3 | 240 | QS200-M40S | 10-4 | 370 |
| NP138BS1032-N-8Z | 12-12 | 100 | QS200-M40S | 10-4 | 40 |
| NP500-456-7 | 3-20 | 380 | QS200-M40S | 3-22 | 200 |
| NP500-456-7 | 3-20A | 380 | QS-200-M40S | 10-2 | 24 |
| NP500-456-7 | 3-20B | 380 | QS200M44S | 10-2 | 4 |
| NP500-456-7 | 3-22 | 160 | QS200-M44S | 10-3 | 9 |
| NP500-465-7 | 3-23 | 160 | QS200-M44S | 10-4 | 110 |
| NP500-8R6 | 4-2 | 220 | QS200-M44S | 10-4 | 330 |
| NP500-8R8 | 4-2 | 30 | QS200-M44S | 10-4 | 40 |
| NP500-8-X | 12-4 | 310 | QS200-M44S | 3-1 | 110 |
| NP501-10-6 | 12-4 | 260 | QS200-M44S | 3-2 | 60 |
| NP525-10R10 | 3-24 | 40 | R10-E6-X2-V700 | 6-11 | 270 |
| NP525-10R10 | 7-4 | 460 | R10-E6-Y2-V185 | 6-11 | 270 |
| NP525-10R12 | 3-24 | 40 | R1224S-28 | 6-2 | 10B |
| NP525-10R12 | 7-4 | 650 | R35M | 6-10 | 10 |
| NPN | 6-4 | 80 | RA4400-6-C | 5-5 | 290 |
| NS35649-262 | 6-11 | - | RG24-11M | 6-10 | 10 |
| NSN 5305-00-984-6208 | 3-1 | 60 | RG24-11M | 6-13 | 80 |
| PACMO-APZ2IN | 11-8 | 480 | RG-35 | 6-10 | 10 |
| PAI-700 | 11-5 | 260 | RHB32S | 3-31 | - |
| PAI-700 28V | 11-8 | 475 | RJ-0370 | 3-8 | 150 |
| PGZF0A0180 | 4-4 | 90 | RJ-1045-2 | 3-8 | 110 |
| PLT4S-CO | 11-7 | - | RJ9700 | 3-3 | 220 |
| PR1425B1/2 | 7-5 | 40 | RST-200 | 4-2 | 120 |

UNCONTROLLED COPY WHEN DOWNLOADED OR PRINTED

ENSTROM F-28/280 SERIES ILLUSTRATED PARTS CATALOG

PART NUMBER INDEX SECTIONS 3 THROUGH 7 AND 9 THROUGH 12 FIGURES 8-1 THROUGH 8-11

| Part Number | Figure | Item | Part Number | Figure | Item |
|----------------|--------|------|----------------|--------|------|
| S10P-175 | 3-24 | 60 | SL61W-5P | 12-10 | 20 |
| S10P-175 | 3-24 | 60 | SL61W-5P | 12-11 | 250 |
| S10P-175 | 7-4 | 370 | SL61W-5P | 12-12 | 170 |
| S10P-320 | 3-24 | 60 | SLN-3045 | 5-4 | 350 |
| S-12B | 9-2 | 36 | SLW-3045 | 5-4 | – |
| S4-200 | 3-2 | 113 | SST1.5I-M | 12-2 | 130 |
| S4-200 | 7-1 | 550 | SST1.5I-MP | 11-7 | 850 |
| S500-10 | 11-19 | 160 | SST1.5I-MP | 11-8 | 390 |
| S500-12 | 11-19 | 195 | SST1.5I-MP | 11-9 | 300 |
| S500-16 | 11-19 | 100 | SST1.5I-MP | 11-17 | 200 |
| S500-3 | 11-19 | 210 | SST1M-MP | 6-12 | 100 |
| S500-4 | 11-19 | 75 | SST1M-MP | 11-17 | 190 |
| S500-6 | 11-19 | 200 | SST25-MP | 8-5 | 580 |
| S-50MP | 5-6 | 50 | SST2S-MP | 11-7 | 840 |
| S6P-270 | 7-4 | 50 | SST2S-MP | 11-8 | 385 |
| S83BZ-2 | 12-1 | 90 | SST2S-MP | 11-9 | 295 |
| S8P-150 | 11-20 | 110 | SST2S-MP | 11-16 | 150 |
| S8P-150 | 7-10 | 220 | SST2S-MP | 11-17 | 210 |
| S8P270 | 9-3 | 310 | STD-1410 | 3-27 | – |
| S8P270 | 9-4 | 270 | STD-1410 | 3-28 | 170 |
| SAW4204-15-123 | 6-1 | 20 | STD-2233 | 3-28 | 160 |
| SAZ-4201E | 6-2 | 30 | STD-2233 | 3-28 | 170 |
| SAZ-4401 | 6-2 | 30 | STD-35 | 3-27 | – |
| SAZ-4401-1 | 6-13 | 170 | STD-35 | 3-28 | 150 |
| SAZ-4401-1 | 6-2 | 30 | STD-475 | 3-27 | – |
| SC616NJ | 6-11 | 130 | STD-475 | 3-28 | 160 |
| SC628ANPR | 6-11 | 130 | SY-0211 | 9-2 | 33 |
| SCEET 7 | 3-5A | 50 | T14BH517BC | 11-5 | – |
| SCEET 7 | 3-5A | 80 | TIGK54-15-RD-A | 11-6 | 510 |
| SJ-3501 | 11-20 | 130 | TIGK54-15-WH-A | 11-6 | 500 |
| SL1N-4 | 12-9 | 140 | TIGK54-1S-RD-A | 11-5 | 160A |
| SL61N-5F | 12-13 | 170 | TIGK54-1S-WH-A | 11-5 | 160B |
| SL61N-5P | 12-13 | 170 | TIGM54-1C-RD-A | 11-2 | 10 |
| SL61N-5P | 12-10 | 30 | TIGM54-1C-RD-A | 11-3 | 10 |
| SL61N-5P | 12-11 | 260 | TIGM54-1C-WH-A | 11-2 | –20A |
| SL61N-5P | 12-12 | 160 | TIGM54-1C-WH-A | 11-3 | –20A |
| SL61W-4 | 12-9 | 150 | TILA64-1C-RD-A | 11-2 | –10A |
| SL61W-5P | 12-13 | 180 | TILA64-1C-WH-A | 11-2 | 20 |

UNCONTROLLED COPY WHEN DOWNLOADED OR PRINTED

ENSTROM F-28/280 SERIES ILLUSTRATED PARTS CATALOG

PART NUMBER INDEX SECTIONS 3 THROUGH 7 AND 9 THROUGH 12 FIGURES 8-1 THROUGH 8-11

| Part Number | Figure | Item | Part Number | Figure | Item |
|----------------|--------|------|-----------------|--------|------|
| TILA64-1C-WH-A | 11-3 | 20 | W-1290-28 | 6-6 | 390 |
| TS-023 | 12-7 | 70 | W1819-020 | 12-8 | 110 |
| TS-023 | 12-8 | 100 | W1819-020 | 12-5 | - |
| TS-023 | 12-8 | 130 | W33-7516-10ET-1 | 11-5 | 320 |
| TS-023 | 12-5 | - | W97CSX-2 | 6-7 | 190 |
| TS-023 | 12-5 | 580 | WC-22-6 | 4-3 | 100 |
| U16082-H61 | 11-4 | 40 | WP-22-6 | 4-3 | 110 |
| UI-5934-1 | 11-5 | 60 | X1333HT | 7-4 | 230 |
| UI5934-3 | 11-6 | 120 | X-142 | 4-2 | - |
| UI6082-H61 | 11-1 | 150 | X1543HT | 7-6 | -280 |
| V3-1 | 8-9 | 50 | X-1567 | 7-20 | - |
| V3-1 | 8-10 | 50 | X-16799 | 6-1 | 140 |
| VC-3 | 5-2 | - | X-16799 | 6-2 | 50 |
| VC-3 | 12-5 | - | Y9485 | 11-8 | 180 |
| VH-375 | 5-6 | 246 | Y9485 | 3-2 | - |
| VH-75 | 4-2.1 | 170 | Y9485 | 11-7 | 60 |
| VSF-7203 | 6-1 | 90 | Y9485 | 7-4 | 510 |
| VSF-7403T | 6-2 | 10 | Z99R6 | 8-9 | 280 |
| W-09 | 4-1 | 190 | Z99R6 | 8-10 | 280 |
| W-09 | 4-3 | 20 | Z9R4X3 | 8-9 | 170 |
| W-1284-G | 6-6 | 120A | Z9R4X3 | 8-10 | 170 |
| W-1284-R | 6-6 | 120 | ZX-10204 | 7-4 | 230 |
| W-1290-14 | 6-6 | 390 | | | |

ENSTROM F-28/280 SERIES ILLUSTRATED PARTS CATALOG

I

INTENTIONALLY LEFT BLANK

UNCONTROLLED COPY WHEN DOWNLOADED OR PRINTED

Rev. 11

cxviii

Apr 16/24

Visit www.enstromhelicopter.com for instructions to order an original manual and to register for email notification of updates.

ENSTROM F-28/280 SERIES ILLUSTRATED PARTS CATALOG

SECTION 1

INTRODUCTION

The detailed parts lists begin at Section 3 and contain all replacement parts starting with the helicopter major assemblies and proceeding through the various installations, subassemblies, and detail and component parts breakdowns.

UNCONTROLLED COPY WHEN DOWNLOADED OR PRINTED

ENSTROM F-28/280 SERIES ILLUSTRATED PARTS CATALOG

NOTE

Please read the following introductory material carefully and completely. Understanding how information is presented will allow you to make optimum use of this catalog,

SCOPE

The Illustrated Parts Catalog (IPC) provides by means of text and companion illustrations, complete definition of all repair parts and spares items available to the customer. The IPC contains information on F-28/280 series helicopters manufactured by The Enstrom Helicopter Corporation, Menominee, Michigan. It is furnished for the purpose of parts procurement ONLY and shall not be used for any other purpose.

Orders for repair parts for engine or accessories (alternators, fuel controls, etc.) used in Enstrom helicopters should be placed with the engine or accessory manufacturer's authorized distributor or dealer and not through the Enstrom Helicopter Corporation.

INTRODUCTORY INFORMATION

The introductory portion of the IPC contains Record of Revisions, Change Methods, Title Page, Recommended Change Report, Table of Contents, Effective Page List and Part Number Index.

RECORD OF REVISIONS

A Record of Revisions page is placed in front of the manual to record the insertion of revisions as they are issued for the publication.

CHANGE METHODS

The IPC is periodically brought up-to-date by one of two methods.

Normal revisions are issued in the form of replacement pages and added pages to be inserted at designated locations. Revision instructions are included on the Revision Cover page, and once the revisions are inserted in the manual, the Record of Revisions page should be updated and the Revision Cover page be placed behind the Record of Revisions page.

Temporary revisions are issued in advance of the normal revision. In most cases, for example, the purpose of a temporary revision is to expedite the release of safety critical changes to the field. A temporary revision page is identified by a unique index number, i.e. Rev. 6, TRP-001 (Revision 6, Temporary Revision (Piston) 001). This unique index number is found in the revision level field of the page footer (left side). Temporary revision pages shall be printed on yellow stock. Instructions are contained on the temporary revision page, and once the temporary revision pages are inserted in the manual, the Record of Temporary Revisions page should be updated. Temporary revisions shall be maintained in the IPC until such time they are incorporated into the next normal revision issue.

UNCONTROLLED COPY WHEN DOWNLOADED OR PRINTED

ENSTROM F-28/280 SERIES ILLUSTRATED PARTS CATALOG

TITLE PAGE

The Title Page lists the date of the currently effective edition or reissue. Information is given noting whether the contents are the initial issue of a publication or a reissue of the entire publication.

RECOMMENDED CHANGE REPORT

The Recommended Change Report is a form that can be used to notify Enstrom Helicopter Corporation of any errors or other changes requested by the user.

TABLE OF CONTENTS

The Table of Contents lists all material contained in the catalog by Section Number, Figure Number, Title and Page Number.

EFFECTIVE PAGE LIST

The Effective Pages List contains all of the pages that are currently effective for the publication, and their effective date.

PART NUMBER INDEX

The Part Number Index provides a listing of all of the part numbers in the catalog, with their corresponding Figure and Item numbers.

DETAILED PARTS LIST

The Detailed Parts Lists begin at Section 3 and contain all replacement parts starting with the helicopter major assemblies and proceeding through the various installations, subassemblies, detail and component parts breakdowns.

CHANGE BARS

Change bars are located throughout the IPC to identify information that has been changed. The Revision Number and Date of those changes is located at the bottom of each page.

ILLUSTRATIONS

Each major assembly or component is separately illustrated. Each part or assembly portrayed in the illustration is assigned an Item Number for cross reference to the parts list bearing the same figure number as the illustration.

ITEM NUMBER COLUMN

This column shows the Item Numbers assigned to each part in the list. This number links the part to the detail parts on the associated illustration.

- A dash (–) printed in this column indicates the part is not illustrated.
- Symbols printed in this column refer to footnotes at the end of the parts list.

UNCONTROLLED COPY WHEN DOWNLOADED OR PRINTED

ENSTROM F-28/280 SERIES ILLUSTRATED PARTS CATALOG

PART NUMBER COLUMN

Part numbers in this column are used to identify parts for ordering. In most cases the number shown is the manufacturer's part number.

NPN printed in this column indicates there is no part number for the listing.

DESCRIPTION COLUMN

This column lists the nomenclature and description of parts, reference to next higher assemblies, and reference to other locations for breakdown of separately illustrated assemblies or components.

Indentation System

A period/dot system is used to show the relationship between major assemblies/components and the respective detailed parts. The nomenclature of major assemblies and/or components is preceded by a single period/dot. Parts preceded by two periods/dots are detailed parts of the preceding part with one period/dot. All parts preceded by three periods/dots are detailed parts of the preceding part with two periods/dots, and so on.

QTY PER ASSY COLUMN

This column lists the total number of units required at that location

- The abbreviation A/R may be located in this column indicating that the part is to be used as required during installation. Examples are shims, safety wire, and adhesives.
- The abbreviation REF may be located in this column indicating that the part listed is for reference only and is not shown in the illustration.

EFFECTIVITY COLUMN

This column identifies if the parts are applicable to the F-28A, 280, F-28C, 280C, F-28F, 280F, and 280FX model helicopters. Notes located on the illustrations or after the detailed parts lists may also contain applicability information.

APPENDICES

The Appendices at the rear of the IPC contain additional information about equivalent parts and hardware substitutions.

UNCONTROLLED COPY WHEN DOWNLOADED OR PRINTED

ENSTROM F-28/280 SERIES ILLUSTRATED PARTS CATALOG

SECTION 2

PARTS ORDERING INFORMATION

UNCONTROLLED COPY WHEN DOWNLOADED OR PRINTED

Rev. 6

2-1

Apr 22/19

Visit www.enstromhelicopter.com for instructions to order an original manual and to register for email notification of updates.

ENSTROM F-28/280 SERIES ILLUSTRATED PARTS CATALOG

GENERAL

All owner parts orders should be placed through your nearest Enstrom Helicopter Dealer or Service Center. If you are unable to locate your Dealer or Service Center, contact the Enstrom Parts Coordinator for this information.

PARTS ORDERS

All parts orders should be addressed to:

Parts Coordinator
Enstrom Helicopter Corporation
2209 22nd Street
Menominee, MI 49858-3515

Telephone: (906) 863-1200
Fax: (906) 863-6821

Email: customerservice@enstromhelicopter.com

Please complete the parts order form located on the Enstrom.com website at: <http://enstromhelicopter.com/wp-content/uploads/2012/03/PARTS-ORDER-FORM-V4.pdf>
If you do not have access to the form, please include the information outlined in the following paragraphs.

To ensure shipment of the proper parts, be sure to include the model number and the serial number of each aircraft on the parts order. This information can be found in the Aircraft Log Book and on the data plate attached to the right rear side of the tailcone for the "C" and "F" models or to the left rear side of the tailcone for the "A" models.

Order by part number and description as shown in the IPC list. Be sure to list the quantity required. Incorrect numbers will be returned for clarification and delay shipment of your order.

The purchase order must indicate the name and address of the ordering organization, and the name and address of the organization to whom the parts are to be shipped. It must be signed by an authorized representative of the dealer or service center.

If parts are ordered by telephone, the purchase order must have the words "confirming order" and the confirming date on the purchase order to avoid duplication of shipments.

All returned orders will be assessed a 20% restocking charge.

NOTE

The Enstrom Helicopter Corporation reserves the right, without prior notice, to supply substitute interchangeable parts for the ordered part when design changes, revised specifications, stock supply, or product improvements make such a substitution necessary.

UNCONTROLLED COPY WHEN DOWNLOADED OR PRINTED

ENSTROM F-28/280 SERIES ILLUSTRATED PARTS CATALOG

SHIPMENT

All purchase orders must specify the desired method of shipment. If this information is not stated, the shipment will be made via surface transportation. The specific carrier will be determined at the time of shipment based on weight, dimensions, and destination. Shipment by other than surface transportation must be indicated at the time the order is placed and must be shown on the purchase order.

All truck and air freight charges are on a collect on delivery (C.O.D) basis.

EMERGENCY REQUIREMENTS

Telephone orders for emergency (**AOG**) situations receive priority processing, and should be kept to a minimum; since they delay shipment of normal orders.

CREDIT TERMS

Enstrom does not automatically establish credit terms. All orders for domestic shipment are sent C.O.D. unless prior arrangements have been made. Payment arrangements for export order shipments may be accomplished by establishment of an irrevocable letter of credit for major shipments. All other shipments will be by sight draft.

Requests for an open account or other credit terms should include a copy of the latest financial report; three (3) credit references; one (1) banking reference; and the desired amount of credit. This information should be addressed to:

Controller
Enstrom Helicopter Corporation
2209 22nd Street
Menominee, MI 49858-3515

By closely following the above instructions, you will help the Enstrom Helicopter Corporation provide faster delivery and better service.

ENSTROM F-28/280 SERIES ILLUSTRATED PARTS CATALOG

INTENTIONALLY LEFT BLANK

ENSTROM F-28/280 SERIES ILLUSTRATED PARTS CATALOG

SECTION 3 POWER PLANT

TABLE OF CONTENTS

| | | |
|--------------------------|---|-------|
| | Cover Page | 3-1 |
| | Table of Contents | 3-1 |
| 3-1 | Air Induction System (F-28A) | 3-2 |
| 3-2 | Air Induction System | 3-4 |
| 3-3 | Turbocharger Induction System | 3-8 |
| 3-4 | Fuel Nozzle Air Vent System | 3-13 |
| 3-5 | Engine Vent Installation | 3-16 |
| 3-5A | Magneto Cooling Installation | 3-18 |
| 3-6 | Oil Cooler Installation (A Models) | 3-21 |
| 3-7 | Oil Cooler Installation (C, F Models) | 3-24 |
| 3-8 | Turbocharger Oil Lines | 3-28 |
| 3-9 | Oil Fill Tube Installation | 3-31 |
| 3-10 | Throttle and Mixture Control Installation (A, C Models) | 3-34 |
| 3-11 | Throttle Correlator Assembly (F Models) | 3-40 |
| 3-12 | Throttle Correlator Installation (F Models) | 3-44 |
| 3-13 | Dual Throttle Control Installation (F Models) | 3-46 |
| 3-14 | Throttle Cable Installation (F Models) | 3-48 |
| 3-15 | Mixture Cable Installation (F Models) | 3-50 |
| 3-16 | Fire Curtain Assembly (All Models) | 3-53 |
| 3-17 | Fire Curtain Installation (All Models) | 3-55 |
| 3-18 | Engine Fan Shroud Assembly (A Models) | 3-59 |
| 3-19 | Engine Fan Shroud Assembly (C Models) | 3-63 |
| 3-20/A/B | Engine Fan Shroud Assembly (C, F Models) | 3-66 |
| 3-21 | Cooling Fan and Alternator Installation | 3-96 |
| 3-22 | Engine Fuel System (A Models) | 3-98 |
| 3-23 | Engine Fuel System (C, F Models) | 3-103 |
| 3-24 | Main Fuel System | 3-108 |
| 3-25 | Fuel Level Sending Unit | 3-115 |
| 3-26 | Fuel Shutoff Valve Assembly | 3-117 |
| 3-27 | Exhaust System Installation (A Models) | 3-120 |
| 3-28 | Exhaust System Installation (C, F Models) | 3-122 |
| 3-29 | Turbocharger Mount Installation | 3-127 |
| 3-30 | Engine Mount Assembly | 3-130 |
| 3-31 | Engine Components | 3-132 |

ENSTROM F-28/280 SERIES ILLUSTRATED PARTS CATALOG

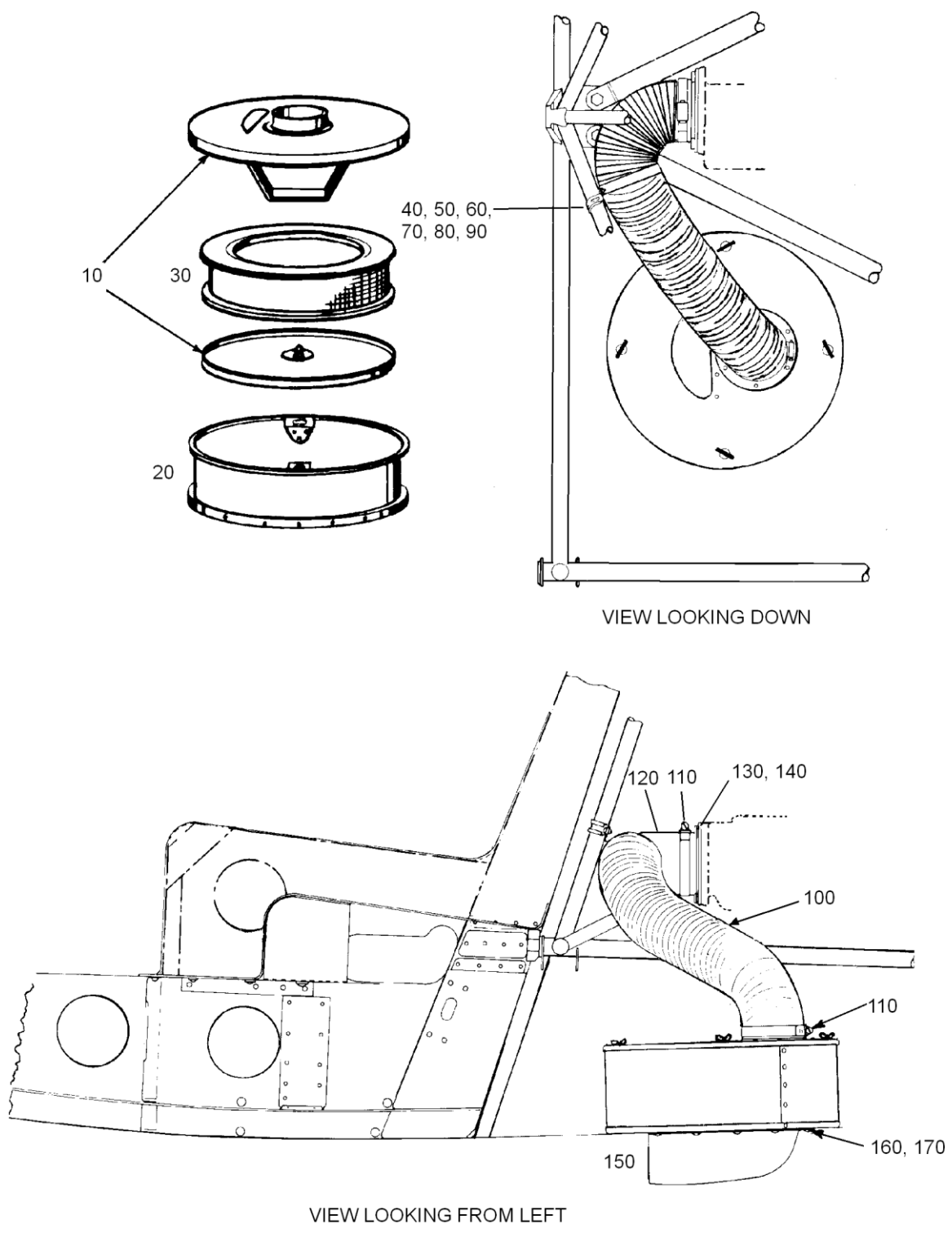


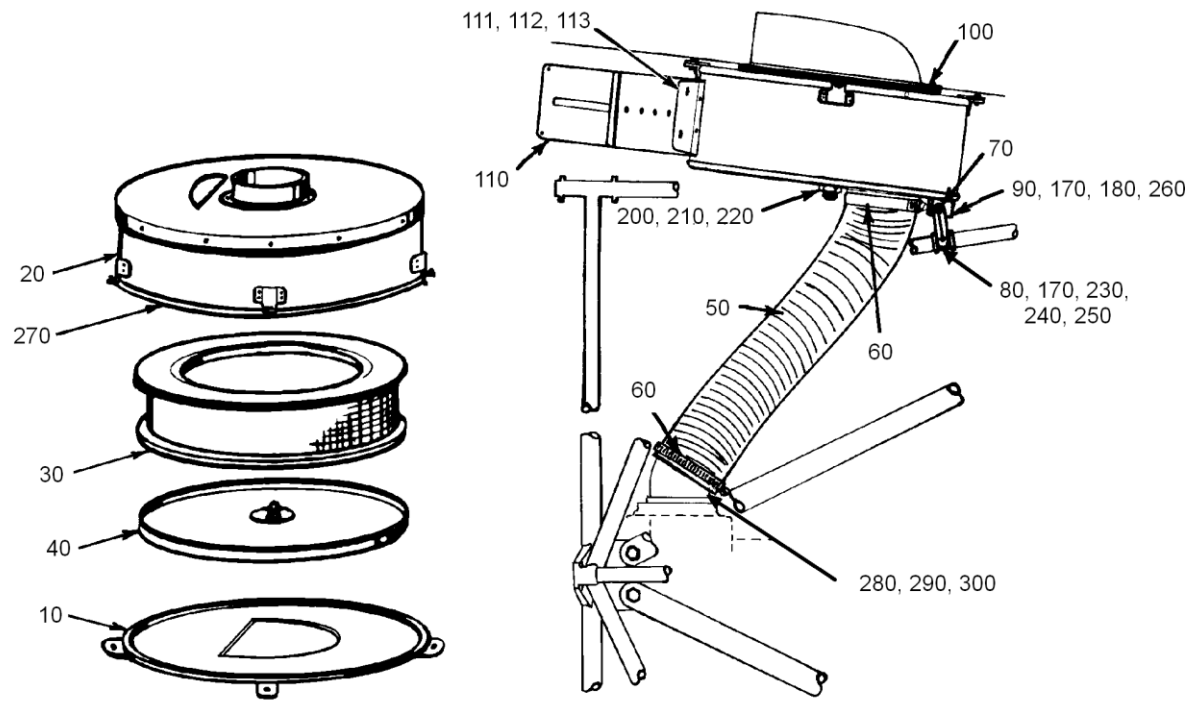
FIGURE 3-1. AIR INDUCTION SYSTEM (F-28A)

ENSTROM F-28/280 SERIES ILLUSTRATED PARTS CATALOG

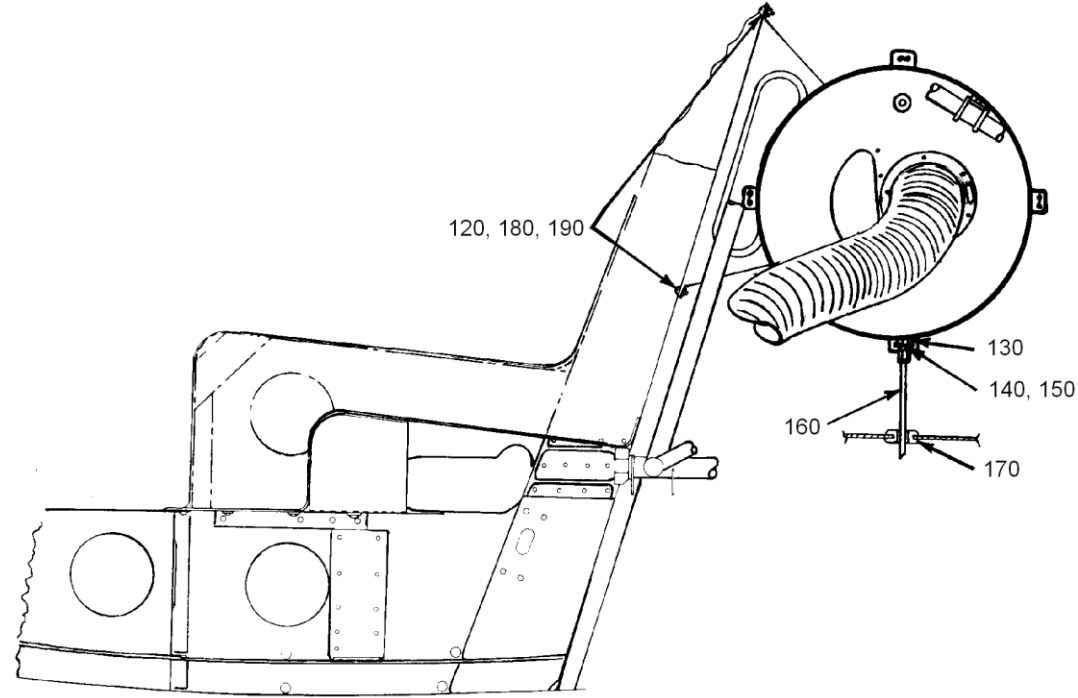
FIGURE 3-1. AIR INDUCTION SYSTEM (F-28A)

| ITEM NUMBER | PART NUMBER | DESCRIPTION | QTY PER ASSY | MODELS AFFECTED | | | | | | |
|-------------|----------------------|--|--------------|-----------------|-----|-------|------|-------|------|-------|
| | | | | F-28A | 280 | F-28C | 280C | F-28F | 280F | 280FX |
| 10 | 28-12302-1 | . Cover Assembly (Obsolete) | 1 | X | | | | | | |
| 20 | 28-12301-1 | . Container Assembly (Obsolete) | 1 | X | | | | | | |
| 30 | 6487923 | . Air Filter (BA-115 - includes screen and foam) | 1 | X | | | | | | |
| - | BA-15 | . . Foam Filter (Insert only) | 1 | X | | | | | | |
| 30 | CA151PL | . Air Filter, Fram (Obsolete) | 1 | X | | | | | | |
| 30 | A53C | . Air Filter, AC (Obsolete) | 1 | X | | | | | | |
| 30 | AFP5 | . Air Filter, Purolator (Obsolete) | 1 | X | | | | | | |
| 40 | AN742D48 | . Clamp | 1 | X | | | | | | |
| 50 | MS21919-DF12 | . Clamp | 1 | X | | | | | | |
| 60 | NSN 5305-00-984-6208 | . Screw | 1 | X | | | | | | |
| 60 | AN515-10-6 | . Screw (Superseded by NSN 5305-00-984-6208) | 1 | X | | | | | | |
| 60 | NAS1149F0332P | . Washer | 1 | X | | | | | | |
| 70 | AN960-10L | . Washer (Superseded by NAS1149F0332P) | 1 | X | | | | | | |
| 80 | MS35338-43 | . Lock Washer | 1 | X | | | | | | |
| 80 | AN935-10 | . Lock Washer (Superseded by MS35338-43) | 1 | X | | | | | | |
| 90 | AN345-10 | . Nut | 1 | X | | | | | | |
| 100 | 28-12357-1 | . Hose | 1 | X | | | | | | |
| 110 | QS200-M44S | . Clamp | 2 | X | | | | | | |
| 120 | 28-12329-1 | . Elbow Adapter Flange (Obsolete) | 1 | X | | | | | | |
| 130 | AN74A4 | . Bolt | 4 | X | | | | | | |
| 140 | AN960-416L | . Washer | 4 | X | | | | | | |
| 150 | 28-12313-1 | . Air Scoop | 1 | X | | | | | | |
| 160 | AN525-832R6 | . Screw | 9 | X | | | | | | |
| 170 | AN960-8 | . Washer | 9 | X | | | | | | |

ENSTROM F-28/280 SERIES ILLUSTRATED PARTS CATALOG



VIEW LOOKING DOWN



VIEW LOOKING FROM LEFT

See Figure 3-5.1 for the Magneto Cooling Installation.

FIGURE 3-2. AIR INDUCTION SYSTEM

ENSTROM F-28/280 SERIES ILLUSTRATED PARTS CATALOG

FIGURE 3-2. AIR INDUCTION SYSTEM

| ITEM NUMBER | PART NUMBER | DESCRIPTION | QTY PER ASSY | MODELS AFFECTED | | | | | | |
|-------------|---------------|--|--------------|-----------------|-----|-------|------|-------|------|-------|
| | | | | F-28A | 280 | F-28C | 280C | F-28F | 280F | 280FX |
| 10 | 28-12361-1 | . Cover Assembly | 1 | X | X | X | X | X | X | X |
| - | Y9485 | . . Tape: Transfer, 0.75" Adhesive | 36 " | X | X | X | X | X | X | X |
| - | 28-12344-11 | . . Cover | 1 | X | X | X | X | X | X | X |
| - | 28-12345-1 | . . Bracket Cover Assembly | 4 | X | X | X | X | X | X | X |
| - | 28-12362-1 | . . Seal: Cover, Air Box | 1 | X | X | X | X | X | X | X |
| 20 | 28-12354-2 | . Container Assembly | 1 | X | X | X | X | X | X | X |
| 20† | 28-12354-1 | . Container Assembly | 1 | X | X | | | | | |
| 30 | 6487923 | . Air Filter (BA-115 - includes screen and foam) | 1 | X | X | X | X | X | X | X |
| - | BA-15 | . . Foam Filter (Insert only) | 1 | X | X | X | X | X | X | X |
| 30 | A53C | . Air Filter, AC (Obsolete) | 1 | X | X | X | X | X | X | X |
| 30 | AFP5 | . Air Filter, Purolator (Obsolete) | 1 | X | X | X | X | X | X | X |
| 40 | 28-12335-1 | . Cover, Inside | 1 | X | X | X | X | X | X | X |
| 50 | 28-12357-1 | . Hose | 1 | X | X | X | X | X | X | X |
| 60 | QS200-M44S | . Clamp | 2 | X | X | X | X | X | X | X |
| 70 | 28-12353-1 | . Strap Assembly | 1 | X | X | X | X | X | X | X |
| 80 | MS21919-DF12 | . Clamp | 1 | X | X | X | X | X | X | X |
| 90 | 28-12341-1 | . Bracket Assembly | 1 | X | X | X | X | X | X | X |
| 100 | 28-12362-1 | . Seal | 1 | X | X | X | X | X | X | X |
| 110** | 28-12350-5 | . Bracket | 1 | | | | | X | | X |
| 110* | 28-12350-3 | . Bracket ((Superseded by 28-12350-5) | 1 | | | | | X | | X |
| 110 | 28-12350-2 | . Bracket (Superseded by 28-12350-3) | 1 | X | X | X | X | X | X | X |
| 110† | 28-12350-1 | . Bracket (Superseded by 28-12350-3) | 1 | X | X | X | X | X | X | X |
| 111 | AJW4-30 | . . Stud | 1 | X | X | X | X | X | X | X |
| 112 | GA4-250 | . . Retainer | 1 | X | X | X | X | X | X | X |
| 113 | 1219-4200-Z3Y | . . Spring | 1 | X | X | X | X | X | X | X |

ENSTROM F-28/280 SERIES ILLUSTRATED PARTS CATALOG

FIGURE 3-2. AIR INDUCTION SYSTEM

| ITEM NUMBER | PART NUMBER | DESCRIPTION | QTY PER ASSY | MODELS AFFECTED | | | | | | |
|-------------|---------------|--|--------------|-----------------|-----|-------|------|-------|------|-------|
| | | | | F-28A | 280 | F-28C | 280C | F-28F | 280F | 280FX |
| 113 | S4-200 | . Spring (Superseded by 1219-4200-Z3Y) | 1 | X | X | X | X | X | X | X |
| 120 | AN526-832R8 | . Screw | 4 | X | X | X | X | X | X | X |
| 130 | 28-12415-9 | . Fitting, Drain Outlet | 1 | X | X | X | X | X | X | X |
| 140 | AN924-4D | . Nut | 1 | X | X | X | X | X | X | X |
| 150 | AN960-716 | . Washer | 1 | X | X | X | X | X | X | X |
| 160 | 28-17302-3 | . Tube | 1 | X | X | X | X | X | X | X |
| 170 | AN931-5-12 | . Grommet | 1 | X | X | X | X | X | X | X |
| 170 | AN931-5-9 | . Grommet (Superseded by AN931-5-12) | 1 | X | X | X | X | X | X | X |
| 180 | NAS1149FN816P | . Washer | 14 | X | X | X | X | X | X | X |
| 180 | AN960-8L | . Washer (Superseded by NAS1149FN816P) | 14 | X | X | X | X | X | X | X |
| 190 | AN365-832A | . Nut | 6 | X | X | X | X | X | X | X |
| 190 | AN364-832A | . Nut (Superseded by AN365-832A) | 6 | X | X | X | X | X | X | X |
| 200 | 28-12358-1 | . Fitting | 1 | | | X | X | X | X | X |
| 210 | AN924-6D | . Nut | 1 | | | X | X | X | X | X |
| 220 | NAS1149F0963P | . Washer | 1 | | | X | X | X | X | X |
| 220 | AN960-916 | . Washer (Superseded by NAS1149F0963P) | 1 | | | X | X | X | X | X |
| 230 | AN515-8R8-832 | . Screw | 1 | X | X | X | X | X | X | X |
| 230 | AN515-8-8 | . Screw (Superseded by AN515-8R8-832) | 1 | X | X | X | X | X | X | X |
| 240 | AN935-8 | . Lock Washer | 1 | X | X | X | X | X | X | X |
| 250 | AN340-832 | . Nut | 1 | X | X | X | X | X | X | X |
| 250 | AN340-8 | . Nut (Superseded by AN340-832) | 1 | X | X | X | X | X | X | X |
| 260 | AN515-8R8 | . Screw | 2 | X | X | X | X | X | X | X |
| 260 | AN526-832-5 | . Screw (Superseded by AN515-8R8) | 2 | X | X | X | X | X | X | X |
| 270 | 980-001 | . Channel | A/R | X | X | X | X | X | X | X |

ENSTROM F-28/280 SERIES ILLUSTRATED PARTS CATALOG

FIGURE 3-2. AIR INDUCTION SYSTEM

| ITEM NUMBER | PART NUMBER | DESCRIPTION | QTY PER ASSY | MODELS AFFECTED | | | | | | |
|-------------|-------------|-------------------------------------|--------------|-----------------|-----|-------|------|-------|------|-------|
| | | | | F-28A | 280 | F-28C | 280C | F-28F | 280F | 280FX |
| 280 | 28-123019-1 | . Elbow Adapter Assembly | 1 | | | X | X | X | X | X |
| 280† | 28-12329-1 | . Elbow Adapter Assembly (Obsolete) | 1 | X | X | | | | | |
| 290† | AN74A4 | . Bolt | 4 | X | X | X | X | X | X | X |
| 300† | AN960-416L | . Washer | 4 | X | X | X | X | X | X | X |

† Left side air filter installation.

* Effectivity F-28F S/N 817 – subsequent and 280FX S/N 2110 – subsequent. Retrofittable to F-28F S/N 505 – subsequent and 280FX S/N 2001 – subsequent.

** Effectivity F-28F S/N 831 – subsequent and 280FX S/N 2141 – subsequent. Retrofittable to F-28F S/N 509 – subsequent and 280FX S/N 2001 – subsequent.

ENSTROM F-28/280 SERIES ILLUSTRATED PARTS CATALOG

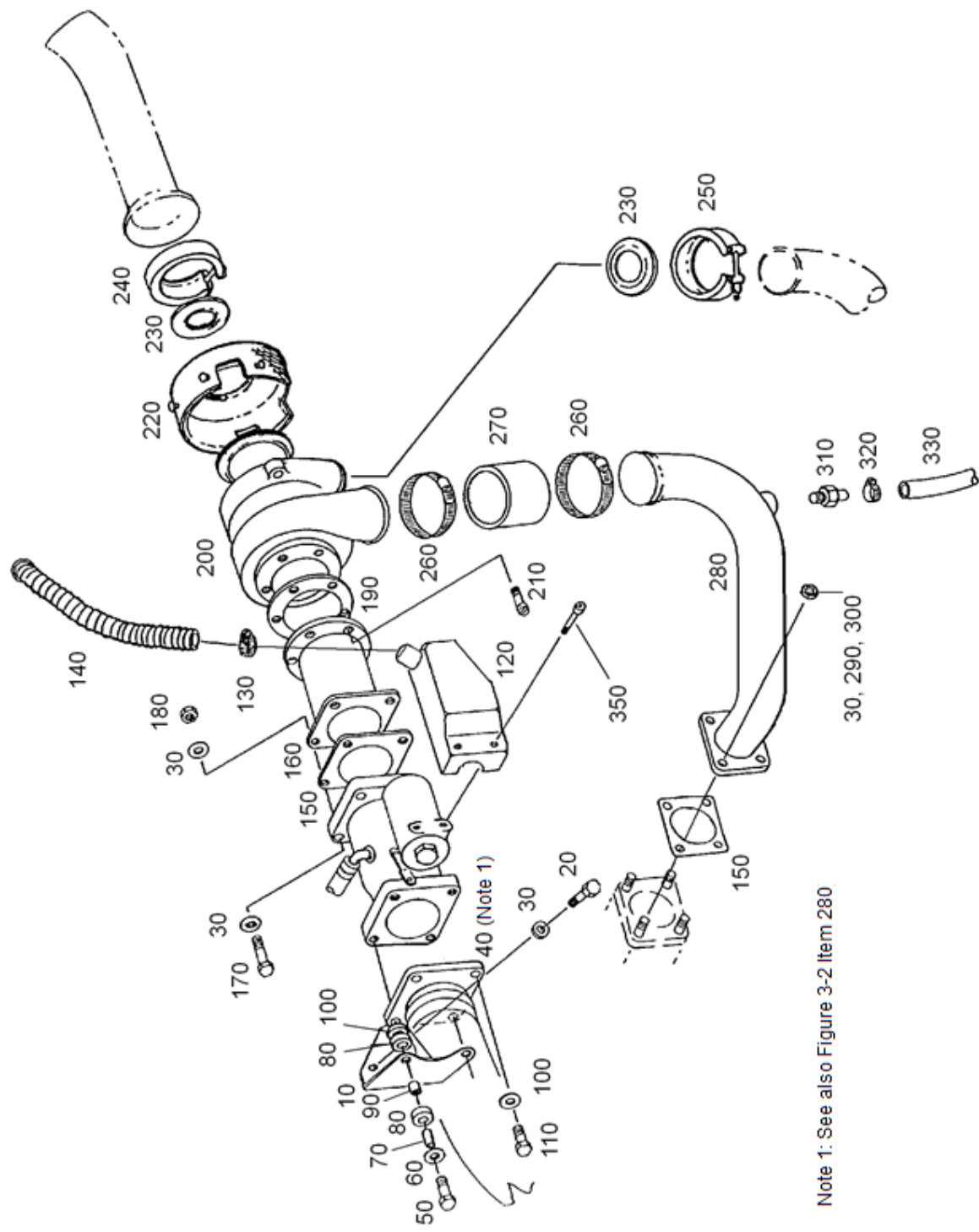


FIGURE 3-3. TURBOCHARGER INDUCTION SYSTEM

ENSTROM F-28/280 SERIES ILLUSTRATED PARTS CATALOG

FIGURE 3-3. TURBOCHARGER INDUCTION SYSTEM

| ITEM NUMBER | PART NUMBER | DESCRIPTION | QTY PER ASSY | MODELS AFFECTED | | | | | | |
|-------------|--------------|---|--------------|-----------------|-----|-------|------|-------|------|-------|
| | | | | F-28A | 280 | F-28C | 280C | F-28F | 280F | 280FX |
| 10 | 28-123022-11 | . Mount Bracket | 1 | | | X | X | X | X | X |
| 20 | AN75A5 | . Bolt | 2 | | | X | X | X | X | X |
| 30 | AN960-516 | . Washer | 14 | | | X | X | X | X | X |
| 40 | 28-123019-1 | . Elbow Adapter Assembly | 1 | | | X | X | X | X | X |
| 50 | AN74A11 | . Bolt | 2 | | | X | X | X | X | X |
| 60 | ECD050-11 | . Washer | 2 | | | X | X | X | X | X |
| 60 | 1/4 Harper | . Washer (Superseded by ECD050-11) | 2 | | | X | X | X | X | X |
| 70● | 28-123007-11 | . Spacer | 2 | | | X | X | X | X | X |
| 70 | 28-123007-1 | . Spacer (Superseded by 28-123007-11) | 2 | | | X | X | X | X | X |
| 80● | 28-123009-17 | . Washer | 4 | | | X | X | X | X | X |
| 80 | 28-123009-11 | . Washer (Superseded by 28-123009-17) | 4 | | | X | X | X | X | X |
| 90● | 28-123009-15 | . Shock Mount Tube | 2 | | | X | X | X | X | X |
| 90 | 28-123009-13 | . Shock Mount Tube (Superseded by 28-123009-15) | 2 | | | X | X | X | X | X |
| 100 | AN960-416L | . Washer | 4 | | | X | X | X | X | X |
| 110 | AN74A5 | . Bolt | 2 | | | X | X | X | X | X |
| 120‡ | 28-181007-5 | . Blast Tube Assembly | 1 | | | X | X | X | X | X |
| 120 | 28-181007-3 | . Blast Tube Assembly (Superseded by 28-181007-5) | 1 | | | X | X | X | X | X |
| 120 | 28-181007-1 | . Blast Tube Assembly (Superseded by 28-181007-3) | 1 | | | X | X | X | X | X |
| 130 | QS100-M12S | . Clamp | 2 | | | X | X | X | X | X |
| 130 | AN737TW34-38 | . Clamp (Obsolete) | 2 | | | X | X | X | X | X |
| 140 | 28-181006-11 | . Hose | 1 | | | X | X | X | X | X |
| 150** | 66224 | . Gasket | 2 | | | X | X | X | X | X |
| 160† | 28-12575-1 | . Adapter Assembly | 1 | | | X | X | X | X | X |
| 160* | 037360-161 | . Adapter Assembly (Superseded by 28-12575-1) | 1 | | | X | X | X | X | X |

ENSTROM F-28/280 SERIES ILLUSTRATED PARTS CATALOG

FIGURE 3-3. TURBOCHARGER INDUCTION SYSTEM

| ITEM NUMBER | PART NUMBER | DESCRIPTION | QTY PER ASSY | MODELS AFFECTED | | | | | | |
|-------------|--------------|---|--------------|-----------------|-----|-------|------|-------|------|-------|
| | | | | F-28A | 280 | F-28C | 280C | F-28F | 280F | 280FX |
| 160 | 037360-115 | . Adapter Assembly (Superseded by 037360-161) | 1 | | | X | X | X | X | X |
| 170 | AN5-11A | . Bolt | 4 | | | X | X | X | X | X |
| 180 | MS20500-524 | . Nut | 4 | | | X | X | X | X | X |
| 180 | AN363-524 | . Nut (Superseded by MS20500-524) | 4 | | | X | X | X | X | X |
| 180 | MS21045L5 | . Nut (Superseded by AN363-524) | 4 | | | X | X | X | X | X |
| 190** | LW-13476 | . Gasket | 1 | | | X | X | X | X | X |
| 190 | 28-12360-1 | . Gasket (Alternate) | 1 | | | X | X | X | X | X |
| 200 | 600700-0000 | . Turbocharger | 1 | | | X | X | X | X | X |
| 200● | 3BT5EE10J2 | . Turbocharger (Superseded by 600700-0000) | 1 | | | X | X | X | X | X |
| 200 | 103574-00 | . Turbocharger (Superseded by 3BT5EE10J2) | 1 | | | X | X | X | X | X |
| - | CF600391-00 | . . Clamp (supplied with turbocharger) | 1 | | | X | X | X | X | X |
| - | MS20995C32 | . . Safety Wire (doubled) | A/R | | | X | X | X | X | X |
| 210 | NAS1352-3H8P | . Cap Screw | 6 | | | X | X | X | X | X |
| 210 | AN503-10-8 | . Screw (Superseded by NAS1352-3H8P) | 6 | | | X | X | X | X | X |
| 220 | RJ9700 | . Turbo Blanket | 1 | | | X | X | X | X | X |
| 230** | LW-14485 | . Gasket | 2 | | | X | X | X | X | X |
| 240** | LW-13464 | . Clamp | 1 | | | X | X | X | X | X |
| - | MS20995C32 | . . Safety Wire (doubled) | A/R | | | X | X | X | X | X |
| 250 | 28-12162-1 | . Clamp Assembly | 1 | | | X | X | X | X | X |
| - | MS20995C32 | . . Safety Wire (doubled) | A/R | | | X | X | X | X | X |
| 260 | ECD111-11 | . Clamp | 2 | | | X | X | X | X | X |
| 260 | MS35842-13 | . Clamp (Alternate) | 2 | | | X | X | X | X | X |
| 260 | 20040S | . Clamp (Alternate) | 2 | | | X | X | X | X | X |
| 270 | ENS1001 | . Sleeve | 1 | | | X | X | X | X | X |
| 280†† | 037360-161 | . Induction Tube Assembly | 1 | | | X | X | X | X | X |

ENSTROM F-28/280 SERIES ILLUSTRATED PARTS CATALOG

FIGURE 3-3. TURBOCHARGER INDUCTION SYSTEM

| ITEM NUMBER | PART NUMBER | DESCRIPTION | QTY PER ASSY | MODELS AFFECTED | | | | | | |
|-------------|--------------|----------------------------------|--------------|-----------------|-----|-------|------|-------|------|-------|
| | | | | F-28A | 280 | F-28C | 280C | F-28F | 280F | 280FX |
| 280● | 037360-160 | . Induction Tube Assembly | 1 | | | X | X | X | X | X |
| 280± | 037360-104 | . Induction Tube Assembly | 1 | | | X | X | X | X | X |
| 280●● | 28-12576-1 | . Induction Tube Assembly | 1 | | | X | X | X | X | X |
| - | 28-12359-11 | . . Plate (Use with 037360-104) | 1 | | | X | X | X | X | X |
| - | 28-12359-13 | . . Gasket (Use with 037360-104) | 1 | | | X | X | X | X | X |
| - | AN3-6A | . . Bolt (Use with 037360-104) | 4 | | | X | X | X | X | X |
| - | MS21045L3 | . . Nut (Use with 037360-104) | 4 | | | X | X | X | X | X |
| - | AN960-10L | . . Washer (Use with 037360-104) | 8 | | | X | X | X | X | X |
| 290 | MS35649-2312 | . Nut | 4 | | | X | X | X | X | X |
| 300 | AN936A516 | . Lock Washer | 4 | | | X | X | X | X | X |
| 310** | LW-13807 | . Valve Assembly | 1 | | | X | X | X | X | X |
| 320 | 1 | . Clamp | 1 | | | X | X | X | X | X |
| 320 | AN737TW22 | . Clamp (Alternate) | 1 | | | X | X | X | X | X |
| 330 | 28-121000-19 | . Drain Tube | 1 | | | X | X | X | X | X |
| -† | 28-12577-1 | . Muffler: Exhaust | 1 | | | | | X | | X |
| - | 28-01039-1 | . Muffler Assembly (Optional) | 1 | | | | | X | X | X |
| -** | LW-13646 | . . Clamp | 1 | | | | | X | X | X |
| - | ENX-0001 | . . Muffler Assembly | 1 | | | | | X | X | X |
| - | MS20995C41 | . . Safety Wire | A/R | | | | | X | X | X |
| 350 | NAS13523H8P | . Existing Hardware | 1 | | | X | X | X | X | X |
| - | AE80664H | . Valve, Sump, 1/2" Engine | 1 | | | X | X | X | X | X |

** Obtain from Lycoming Distributor.

* Effectivity F-28F S/N 788 and subsequent. Model 280FX S/N 2073 and subsequent.

†† Effectivity F-28F S/N 788 – 817. Model 280FX S/N 2073 – 2109.

† Effectivity F-28F S/N 816 and subsequent. Model 280FX S/N 2104 and subsequent.

●● Effectivity F-28F S/N 818 and subsequent. Model 280FX S/N 2110 and subsequent.

ENSTROM F-28/280 SERIES ILLUSTRATED PARTS CATALOG

- ‡ Effectivity F-28F S/N 818 and subsequent. Effectivity 280FX S/N 2111 and subsequent. Retrofittable to F-28F S/N 509 and 280FX S/N 2001.
- ± Used on helicopters built in 1982.
- Change effective on helicopters built 2-9-87 and later.
- ‡‡ Effectivity F-28F S/N 830 and subsequent. Effectivity 280FX S/N 2135 and subsequent. Retrofittable to F-28F S/N 509 and 280FX S/N 2001.

ENSTROM F-28/280 SERIES ILLUSTRATED PARTS CATALOG

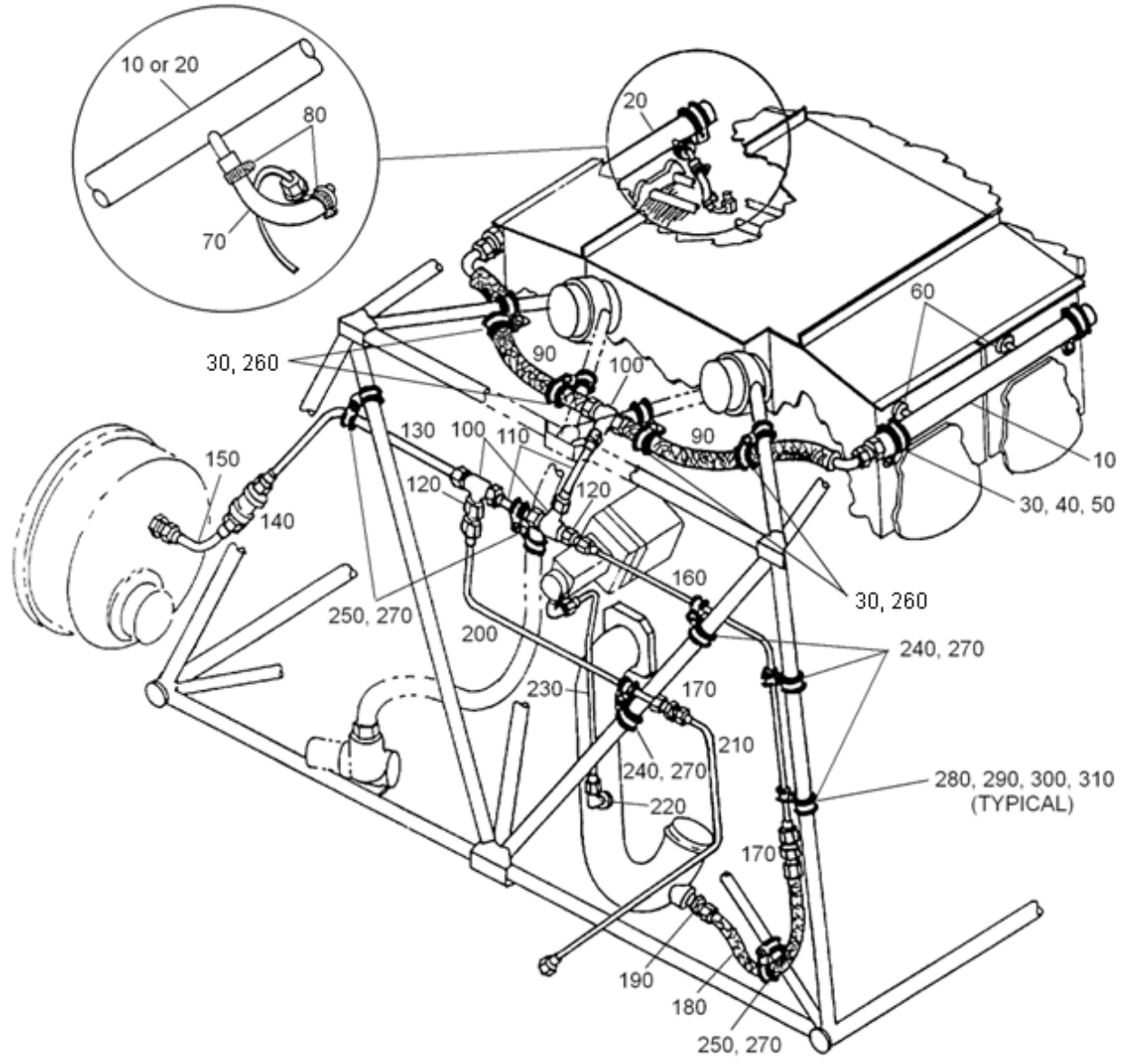


FIGURE 3-4. FUEL NOZZLE AIR VENT SYSTEM

ENSTROM F-28/280 SERIES ILLUSTRATED PARTS CATALOG

FIGURE 3-4. FUEL NOZZLE AIR VENT SYSTEM

| ITEM NUMBER | PART NUMBER | DESCRIPTION | QTY PER ASSY | MODELS AFFECTED | | | | | | |
|-------------|---------------|--------------------------------------|--------------|-----------------|-----|-------|------|-------|------|-------|
| | | | | F-28A | 280 | F-28C | 280C | F-28F | 280F | 280FX |
| 10 | 28-123015-1 | . Manifold Assembly, L/H | 1 | | | X | X | X | X | X |
| 20 | 28-123014-1 | . Manifold Assembly, R/H | 1 | | | X | X | X | X | X |
| 30 | MS21919WCJ10 | . Clamp | 8 | | | X | X | X | X | X |
| 40 | AN503-416-10 | . Screw | 4 | | | X | X | X | X | X |
| 50 | AN960-416L | . Washer | 4 | | | X | X | X | X | X |
| 60 | AN931-3-9 | . Grommet | 4 | | | X | X | X | X | X |
| 70 | 28-123005-5 | . Hose | 4 | | | X | X | X | X | X |
| 80 | 1 | . Clamp | 8 | | | X | X | X | X | X |
| 80 | AN737TW22 | . Clamp (Obsolete) | 8 | | | X | X | X | X | X |
| 90 | 601002-6-0180 | . Hose Assembly | 2 | | | X | X | X | X | X |
| 90 | 62447-6-180 | . Hose Assembly (Obsolete) | 2 | | | X | X | X | X | X |
| 100 | AN824-6D | . Tee | 3 | | | X | X | X | X | X |
| 110 | 28-123013-1 | . Vent Nozzle Fuel Assembly | 2 | | | X | X | X | X | X |
| 120 | 2406-06-04 | . Reducer | 2 | | | X | X | X | X | X |
| 120 | 883-FS-06X04 | . Reducer (Superseded by 2406-06-04) | 2 | | | X | X | X | X | X |
| 130 | 28-123012-1 | . Vent Nozzle Fuel Assembly | 1 | | | X | X | X | X | X |
| 140 | MS28884A-6 | . Check Valve | 1 | | | X | X | X | X | X |
| 150 | 28-123024-1 | . Tube Assembly | 1 | | | X | X | X | X | X |
| 160 | 28-123011-1 | . Vent Nozzle Fuel Assembly | 1 | | | X | X | X | X | X |
| 170 | AN815-4D | . Union | 2 | | | X | X | X | X | X |
| 180 | 28-124003-1 | . Hose Assembly | 1 | | | X | X | X | X | X |
| 190 | MS20823-4 | . Elbow | 1 | | | X | X | X | X | X |
| 190 | AN816-4 | . Union (Superseded by MS20823-4) | 1 | | | X | X | X | X | X |
| 200* | 28-123016-1 | . Vent Nozzle Fuel Assembly | 1 | | | X | X | X | X | X |
| 210* | 28-121007-1 | . Static Fuel Pressure Line | 1 | | | X | X | X | X | X |
| 220 | MS20822-4D | . Elbow | 1 | | | X | X | X | X | X |
| 230** | 28-121008-1 | . Line Vent Static Assembly | 1 | | | X | X | X | X | X |

ENSTROM F-28/280 SERIES ILLUSTRATED PARTS CATALOG

FIGURE 3-4. FUEL NOZZLE AIR VENT SYSTEM

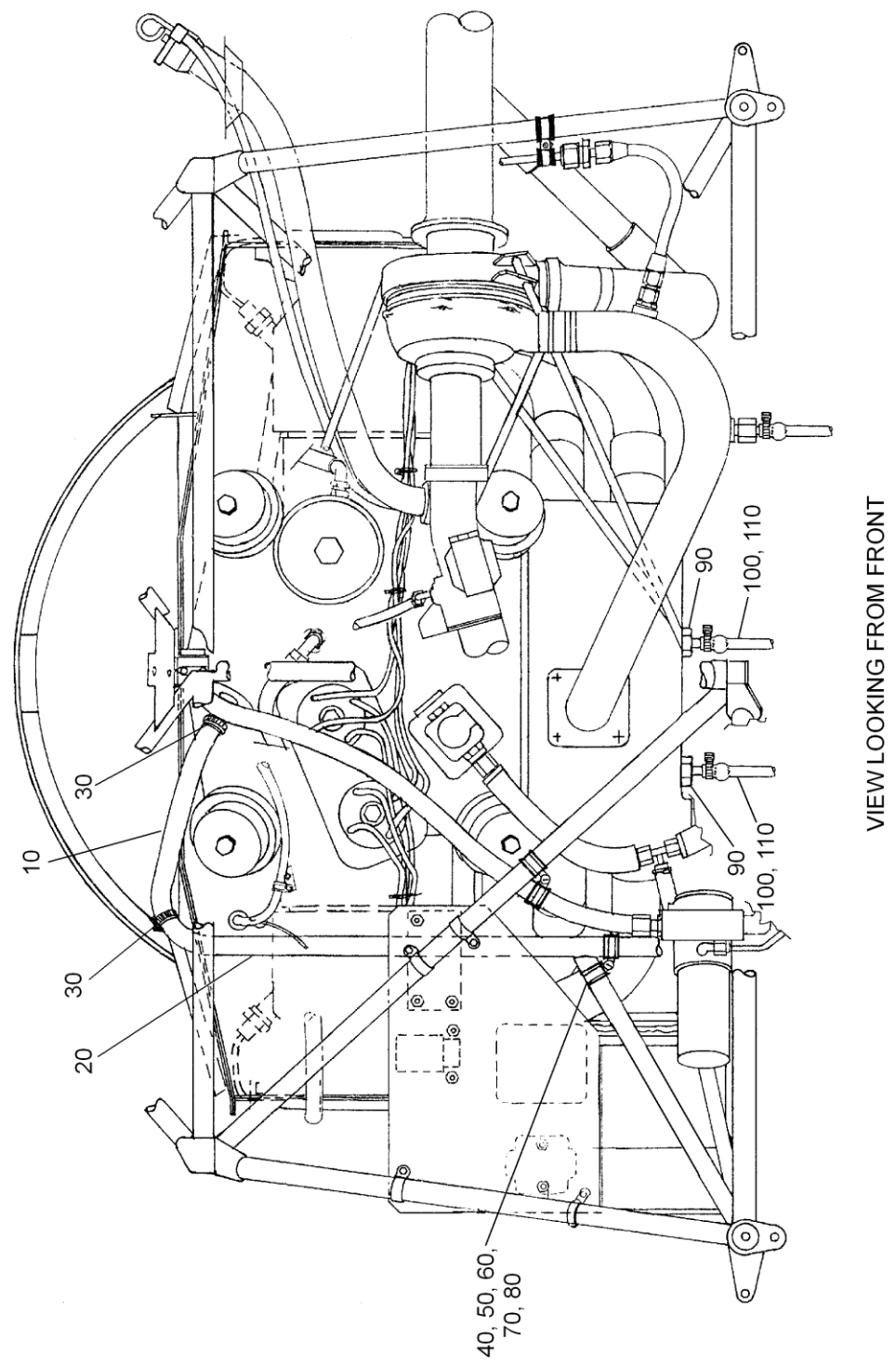
| ITEM NUMBER | PART NUMBER | DESCRIPTION | QTY PER ASSY | MODELS AFFECTED | | | | | | |
|-------------|---------------|--|--------------|-----------------|-----|-------|------|-------|------|-------|
| | | | | F-28A | 280 | F-28C | 280C | F-28F | 280F | 280FX |
| 230† | 28-121008-3 | . Static Fuel Pressure Line | 1 | | | X | X | X | X | X |
| 240 | MS21919WCJ4 | . Clamp | 4 | | | X | X | X | X | X |
| 250 | MS21919WCJ6 | . Clamp | 3 | | | X | X | X | X | X |
| 260 | MS21919WCJ8 | . Clamp | 4 | | | X | X | X | X | X |
| 270 | MS21919WCJ12 | . Clamp | 7 | | | X | X | X | X | X |
| 280 | MS35338-42 | . Screw | 11 | | | X | X | X | X | X |
| 280 | AN515-8R12 | . Screw (Superseded by MS35338-42) | 11 | | | X | X | X | X | X |
| 290 | NAS1149FN816P | . Washer | 22 | | | X | X | X | X | X |
| 290 | AN960-8L | . Washer (Superseded by NAS1149FN816P) | 22 | | | X | X | X | X | X |
| 300 | MS35338-42 | . Lock Washer | 11 | | | X | X | X | X | X |
| 300 | AN935-8 | . Lock Washer (Superseded by MS35338-42) | 11 | | | X | X | X | X | X |
| 310 | MS35649-282 | . Nut | 11 | | | X | X | X | X | X |
| 310 | AN340-832 | . Nut (Superseded by MS35649-282) | 11 | | | X | X | X | X | X |

* Replaces one piece line assembly, P/N 28-121007-2, used in earlier production aircraft.

** Used with induction tube assemblies, P/N 037360-104 and 037360-160. Reference Figure 3-3.

† Used with induction tube assembly, P/N 037360-161. Reference Figure 3-3.

ENSTROM F-28/280 SERIES ILLUSTRATED PARTS CATALOG



See Figure 3-5.1 for the Magneto Cooling Installation.

FIGURE 3-5. ENGINE VENT INSTALLATION

ENSTROM F-28/280 SERIES ILLUSTRATED PARTS CATALOG

FIGURE 3-5. ENGINE VENT INSTALLATION

| ITEM NUMBER | PART NUMBER | DESCRIPTION | QTY PER ASSY | MODELS AFFECTED | | | | | | |
|-------------|---------------|--|--------------|-----------------|-----|-------|------|-------|------|-------|
| | | | | F-28A | 280 | F-28C | 280C | F-28F | 280F | 280FX |
| 10 | 28-12145-1 | . Breather Vent Hose | 1 | X | X | X | X | X | X | X |
| 20 | 28-12140-1 | . Breather Vent Tube | 1 | X | X | X | X | X | X | X |
| 30 | QS200-M10S | . Clamp | 2 | X | X | X | X | X | X | X |
| 40 | MS21919WDF12 | . Clamp | 2 | X | X | X | X | X | X | X |
| 50 | MS35206-246 | . Screw | 1 | X | X | X | X | X | X | X |
| 50 | AN515-8R10 | . Screw (Superseded by MS35206-246) | 1 | X | X | X | X | X | X | X |
| 60 | NAS1149FN816P | . Washer | 2 | X | X | X | X | X | X | X |
| 60 | AN960-8L | . Washer (Superseded by NAS1149FN816P) | 2 | X | X | X | X | X | X | X |
| 70 | MS35338-42 | . Lock Washer | 1 | X | X | X | X | X | X | X |
| 70 | AN935-8 | . Lock Washer (Superseded by MS35338-42) | 1 | X | X | X | X | X | X | X |
| 80 | MS35649-282 | . Nut | 1 | X | X | X | X | X | X | X |
| 80 | AN340-8 | . Nut (Superseded by MS35649-282) | 1 | X | X | X | X | X | X | X |
| 90* | LW-13807 | . Sniffer Valve Assembly | 2 | | | X | X | X | X | X |
| - | MS28775-015 | . . O-Ring (Inside Sniffer Valve) | 2 | | | X | X | X | X | X |
| 100 | 28-121000-19 | . . Sniffer Valve Drain Tube | 2 | X | X | X | X | X | X | X |
| 110 | QS100-M52S | . Clamp | 2 | X | X | X | X | X | X | X |

* Obtain from Lycoming distributor.

ENSTROM F-28/280 SERIES ILLUSTRATED PARTS CATALOG

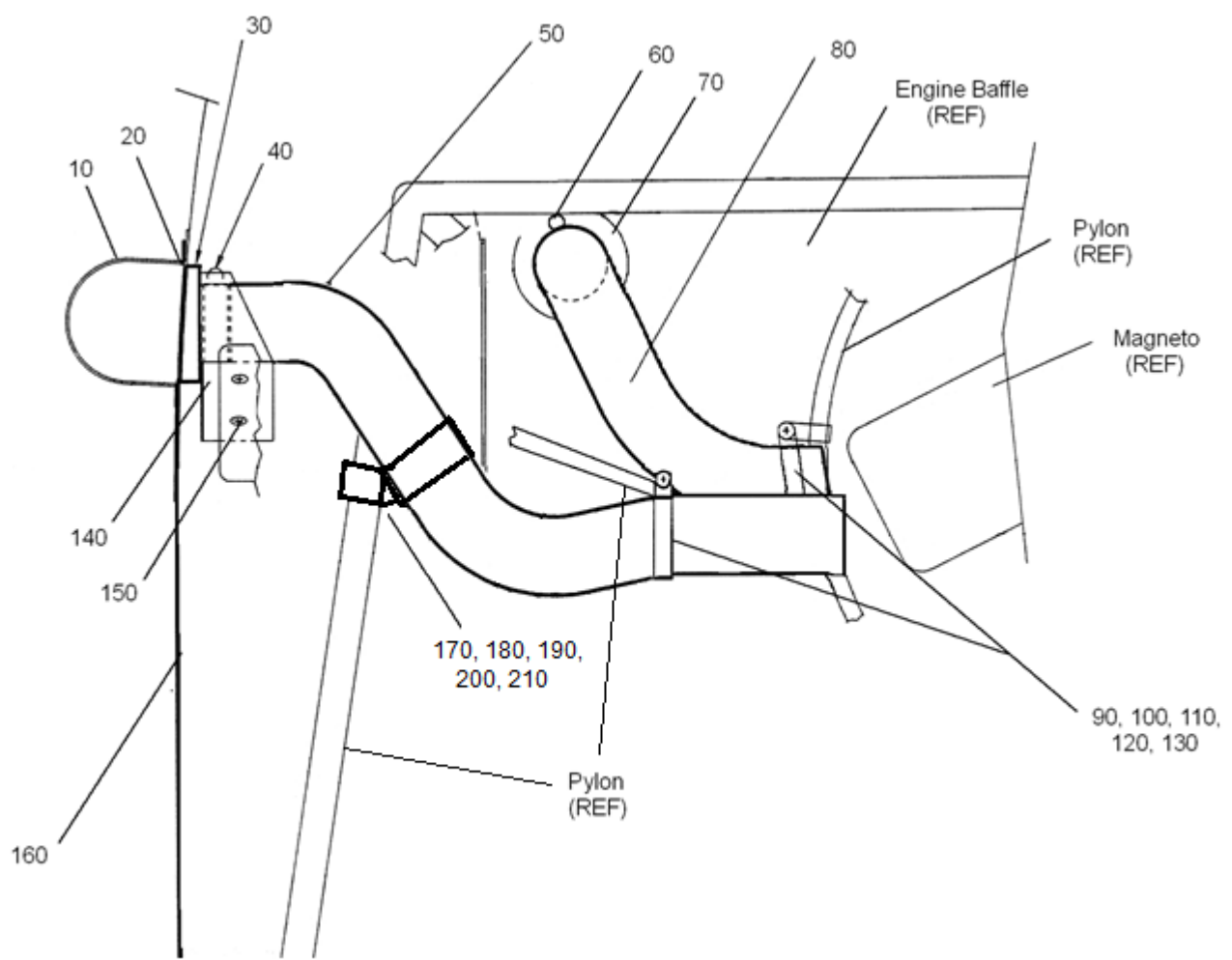


FIGURE 3-5A. MAGNETO COOLING INSTALLATION

ENSTROM F-28/280 SERIES ILLUSTRATED PARTS CATALOG

FIGURE 3-5A. MAGNETO COOLING INSTALLATION

| ITEM NUMBER | PART NUMBER | DESCRIPTION | QTY PER ASSY | MODELS AFFECTED | | | | | | |
|-------------|---------------|--|--------------|-----------------|-----|-------|------|-------|------|-------|
| | | | | F-28A | 280 | F-28C | 280C | F-28F | 280F | 280FX |
| —* | 28-22031-1 | Magneto Blast Tube Install Magneto Cooling | REF | | | X | X | X | X | X |
| 10 | 28-12706-11 | . . Deflector - Hot Air | 1 | | | X | X | X | X | X |
| 20 | MS20470AD3-3 | . . Rivet: Solid, 3/32" X 0.188" | 6 | | | X | X | X | X | X |
| 30 | 28-22034-11 | . Seal Foam Magneto | 1 | | | X | X | X | X | X |
| 40 | QS200-M24S | . Clamp, Hose, 1.0625-2.0" Dia | 2 | | | X | X | X | X | X |
| 50 | 400-003 | . Duct, Silicone/Fiberglass, 1.750" | 24" | | | X | X | X | X | X |
| 50 | SCEET 7 | . Duct, Silicone/Fiberglass, 1.750" (Superseded by 400-003) | 24" | | | X | X | X | X | X |
| 60 | QS200-M24S | . Clamp, Hose, 1.0625-2.0" Dia | 2 | | | X | X | X | X | X |
| 70 | 280-127505-17 | . Stub Heat Duct | 1 | | | X | X | X | X | X |
| 80 | 400-003 | . Duct, Silicone/Fiberglass, 1.750" | 12" | | | X | X | X | X | X |
| 80 | SCEET 7 | . Duct, Silicone/Fiberglass, 1.750" (Superseded by 400-003) | 12" | | | X | X | X | X | X |
| 90 | AN742D28 | . Clamp, Loop | 2 | | | X | X | X | X | X |
| 100 | MS21919WDG14 | . Clamp, Loop | 2 | | | X | X | X | X | X |
| 110 | MS35207-262 | . Screw, Mach (Ph), 10-32 X 0.438 | 2 | | | X | X | X | X | X |
| 120 | NAS1149F0332P | . Washer, Flat | 2 | | | X | X | X | X | X |
| 130 | MS21083N3 | . Nut: Hex, 190-32 UNJF-3B Thin | 2 | | | X | X | X | X | X |
| 140 | 28-01058-3 | . Cooling Kit Assy | 1 | | | X | X | X | X | X |
| — | 28-01058-15 | . . Bracket Magneto Cooling | 1 | | | X | X | X | X | X |
| 150 | AN526-1032R8 | . . Screw, Mach (Th) 10-32 x 0.500 | 2 | | | X | X | X | X | X |
| 160 | 28-22032-1 | . Cowl Lower Center 280FX | 1 | | | X | X | X | X | X |
| 160 | 28-114016-7 | . Cowl Lower Center F28F | 1 | | | X | X | X | X | X |
| 170 | AN742D28 | . Clamp | 1 | X | X | X | X | X | X | X |
| 180 | MS21919WDG12 | . Clamp | 1 | X | X | X | X | X | X | X |
| 190 | MS35207-262 | . Screw | 1 | X | X | X | X | X | X | X |

ENSTROM F-28/280 SERIES ILLUSTRATED PARTS CATALOG

FIGURE 3-5A. MAGNETO COOLING INSTALLATION

| ITEM NUMBER | PART NUMBER | DESCRIPTION | QTY PER ASSY | MODELS AFFECTED | | | | | | |
|-------------|---------------|-------------|--------------|-----------------|-----|-------|------|-------|------|-------|
| | | | | F-28A | 280 | F-28C | 280C | F-28F | 280F | 280FX |
| 200 | NAS1149F0332P | . Washer | 1 | X | X | X | X | X | X | X |
| 210 | MS21083N3 | . Nut | 1 | X | X | X | X | X | X | X |

* Customer Service use (excludes P/N 280-127505).

ENSTROM F-28/280 SERIES ILLUSTRATED PARTS CATALOG

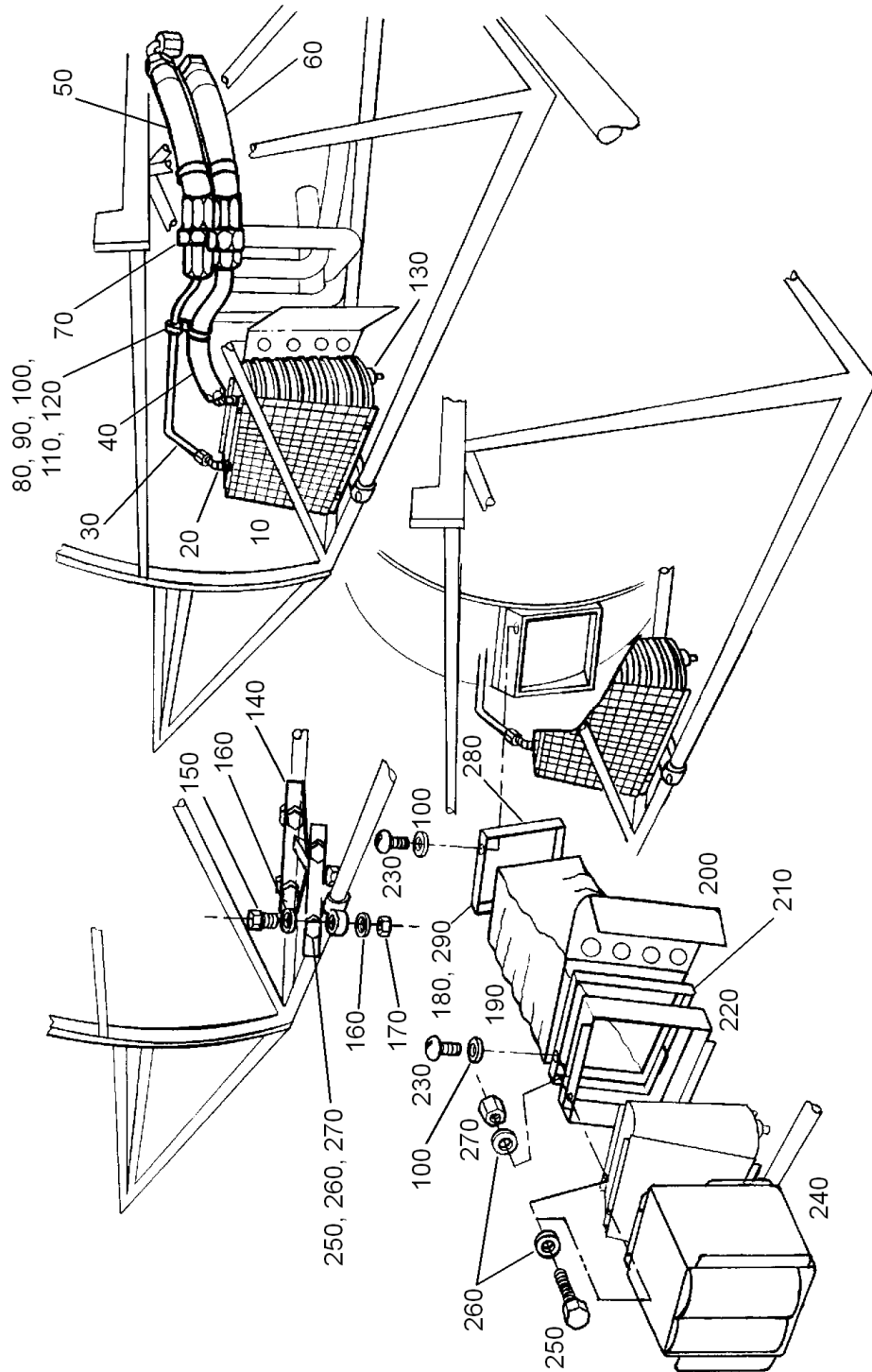


FIGURE 3-6. OIL COOLER INSTALLATION (A MODELS)

ENSTROM F-28/280 SERIES ILLUSTRATED PARTS CATALOG

FIGURE 3-6. OIL COOLER INSTALLATION (A MODELS)

| ITEM NUMBER | PART NUMBER | DESCRIPTION | QTY PER ASSY | MODELS AFFECTED | | | | | | |
|-------------|---------------|---|--------------|-----------------|-----|-------|------|-------|------|-------|
| | | | | F-28A | 280 | F-28C | 280C | F-28F | 280F | 280FX |
| 10 | 20042A | . Oil Cooler Assembly | 1 | X | X | | | | | |
| 10 | AP18AU06-02 | . Oil Cooler Assembly (Superseded by 20042A) | 1 | X | X | | | | | |
| 20 | MS-20823-6D | . Elbow, 45 Degrees, Flared | 2 | X | X | | | | | |
| 20 | AN823-6-6D | . Elbow (Obsolete) | 2 | X | X | | | | | |
| 30 | 28-12100-904 | . Oil Cooler Line (Obsolete) | 1 | X | X | | | | | |
| 40 | 28-12100-903 | . Oil Cooler Line (Obsolete) | 1 | X | X | | | | | |
| 50 | 601002-6-0180 | . Aero Quip Hose Assembly | 1 | X | X | | | | | |
| 50 | 624117-6-0180 | . Aero Quip Hose Assembly (Superseded by 601002-6-0180) | 1 | X | X | | | | | |
| 60 | 624100-6-0180 | . Aero Quip Hose Assembly (Obsolete) | 1 | X | X | | | | | |
| 70 | AN815-6 | . Union | 2 | X | X | | | | | |
| 80 | MS21919-DF12 | . Clamp | A/R | X | X | | | | | |
| 80 | MS21919-DF6 | . Clamp | A/R | X | X | | | | | |
| 90 | MS35206-246 | . Screw | A/R | X | X | | | | | |
| 90 | AN515-8R10 | . Screw (Superseded by MS35206-246) | A/R | X | X | | | | | |
| 100 | NAS1149FN816P | . Washer | A/R | X | X | | | | | |
| 100 | AN960-8L | . Washer (Superseded by NAS1149FN816P) | A/R | X | X | | | | | |
| 110 | MS35338-42 | . Lock Washer | A/R | X | X | | | | | |
| 110 | AN935-8 | . Lock Washer (Superseded by MS35338-42) | A/R | X | X | | | | | |
| 120 | MS35649-282 | . Nut | A/R | X | X | | | | | |
| 120 | AN340-8 | . Nut (Superseded by MS35649-282) | A/R | X | X | | | | | |
| 130 | CCA-1600 | . Drain Valve | 1 | X | X | | | | | |
| 140 | 28-11112-1 | . Oil Cooler Mounting Assembly | 1 | X | X | | | | | |

ENSTROM F-28/280 SERIES ILLUSTRATED PARTS CATALOG

FIGURE 3-6. OIL COOLER INSTALLATION (A MODELS)

| ITEM NUMBER | PART NUMBER | DESCRIPTION | QTY PER ASSY | MODELS AFFECTED | | | | | | |
|-------------|---------------|---|--------------|-----------------|-----|-------|------|-------|------|-------|
| | | | | F-28A | 280 | F-28C | 280C | F-28F | 280F | 280FX |
| 150 | AN3-11A | . Bolt | 4 | X | X | | | | | |
| 160 | NAS1149F0363P | . Washer | 8 | X | X | | | | | |
| 160 | AN960-10 | . Washer (Superseded by NAS1149FO363P) | 8 | X | X | | | | | |
| 170 | MS201044N3 | . Nut | 4 | X | X | | | | | |
| 170 | AN365-1032A | . Nut (Superseded by MS201044N3) | 4 | X | X | | | | | |
| 180 | 28-12623-1 | . Bracket (Obsolete) | 1 | X | | | | | | |
| 190 | 28-12625-1 | . Oil Cooler Boot | 1 | X | | | | | | |
| 190* | 280-126002-1 | . Oil Cooler Boot | 1 | | X | | | | | |
| 200 | 28-12626-13 | . Heat Shield | 1 | X | X | | | | | |
| 200 | 28-12626-1 | . Heat Shield (Superseded by 28-12626-13) | 1 | X | X | | | | | |
| 210 | 28-12624-1 | . Retaining Strap (Obsolete) | 1 | X | X | | | | | |
| 220 | 28-12618-5 | . Air Duct Inlet | 1 | X | X | | | | | |
| 220 | 28-12618-1 | . Air Duct Inlet (Superseded by 28-12618-5) | 1 | X | X | | | | | |
| 230 | MS35206-244 | . Screw | A/R | X | X | | | | | |
| 230 | AN515-8R7 | . Screw (Superseded by MS35206-244) | A/R | X | X | | | | | |
| 240* | 280-126003-1 | . Exit Duct Assembly | 1 | | X | | | | | |
| 250 | AN3-4A | . Bolt | A/R | X | X | | | | | |
| 260 | NAS1149F0332P | . Washer | A/R | X | X | | | | | |
| 260 | AN960-10L | . Washer (Superseded by NAS1149F0332P) | A/R | X | X | | | | | |
| 270 | MS21044N3 | . Nut | A/R | X | X | | | | | |
| 270 | AN365-1032A | . Nut (Superseded by MS21044N3) | A/R | X | X | | | | | |
| 280* | 280-126001-47 | . Bracket | 2 | | X | | | | | |
| 290* | 280-126001-45 | . Bracket | 2 | | X | | | | | |

* Applicable to F-28A model aircraft equipped with the Exit Duct Assembly, P/N 280-126003-1.

ENSTROM F-28/280 SERIES ILLUSTRATED PARTS CATALOG

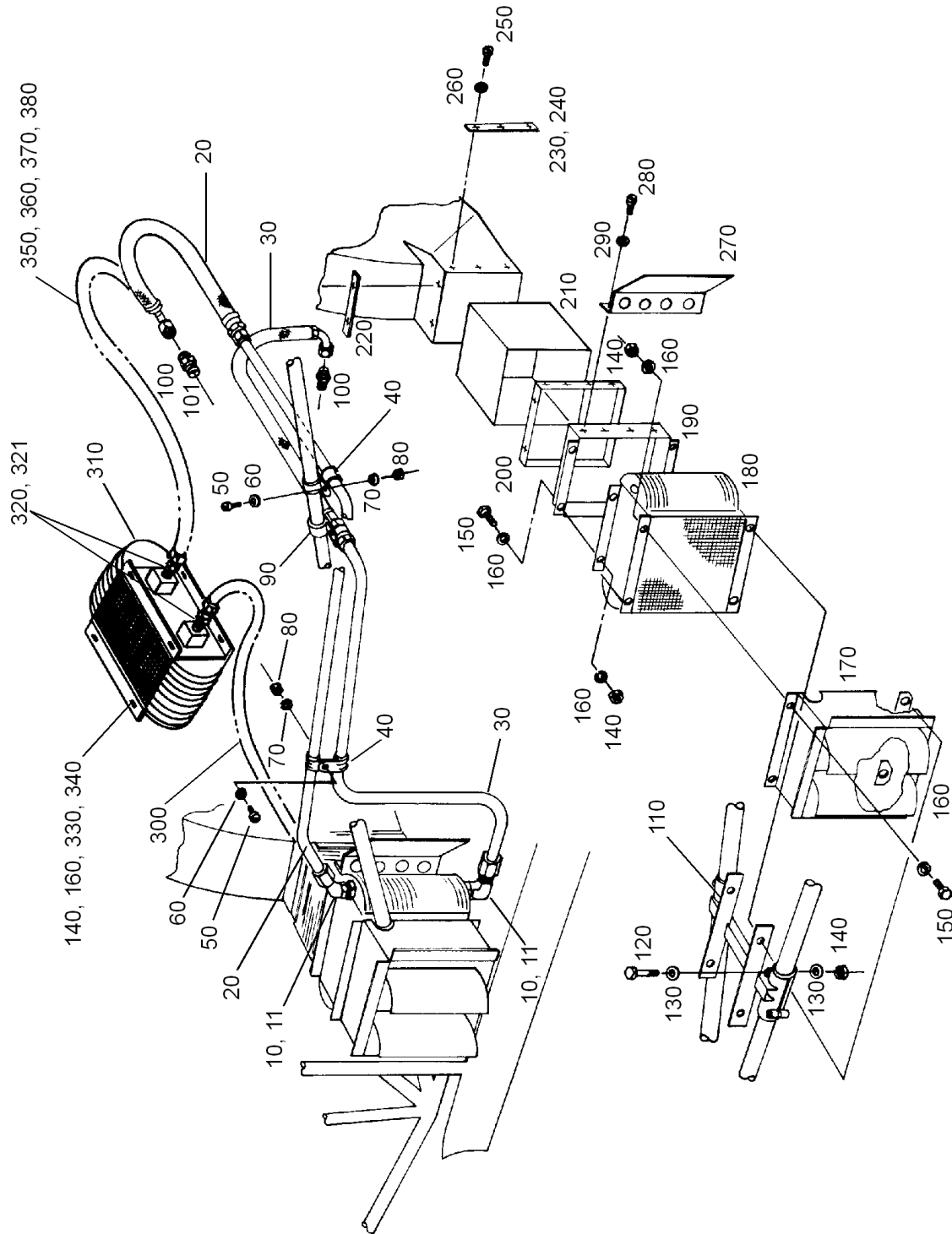


FIGURE 3-7. OIL COOLER INSTALLATION (C, F MODELS)

ENSTROM F-28/280 SERIES ILLUSTRATED PARTS CATALOG

FIGURE 3-7. OIL COOLER INSTALLATION (C, F MODELS)

| ITEM NUMBER | PART NUMBER | DESCRIPTION | QTY PER ASSY | MODELS AFFECTED | | | | | | |
|-------------|---------------|--|--------------|-----------------|-----|-------|------|-------|------|-------|
| | | | | F-28A | 280 | F-28C | 280C | F-28F | 280F | 280FX |
| - | 28-121000-901 | Oil Cooler Assembly | REF | | | | | X | X | X |
| 10 | 848-FSO-10-08 | . Adapter | 2 | | | X | X | X | X | X |
| 11 | MS28778-8 | . O-Ring, N507-90, 0.644 | 2 | | | X | X | X | X | X |
| 20 | 28-121013-1 | . Oil Line Assembly | 1 | | | X | X | | | |
| 30 | 28-121014-1 | . Oil Line Assembly | 1 | | | X | X | X | X | X |
| 40 | MS21919WF18 | . Clamp | A/R | | | X | X | X | X | X |
| 50 | MS35206-246 | . Screw | A/R | | | X | X | X | X | X |
| 50 | AN515-8R10 | . Screw (Superseded by MS35206-246) | A/R | | | X | X | X | X | X |
| 60 | NAS1149FN816P | . Washer | A/R | | | X | X | X | X | X |
| 60 | AN960-8L | . Washer (Superseded by NAS1149FN816P) | A/R | | | X | X | X | X | X |
| 70 | MS353630-42 | . Washer | A/R | | | X | X | X | X | X |
| 70 | AN935-8 | . Washer (Superseded by MS353630-42) | A/R | | | X | X | X | X | X |
| 80 | MS35649-282 | . Nut | A/R | | | X | X | X | X | X |
| 80 | AN340-8 | . Nut (Superseded by MS35649-282) | A/R | | | X | X | X | X | X |
| 90 | MS21919WF12 | . Clamp | A/R | | | X | X | X | X | X |
| 90 | MS21919WF14 | . Clamp | A/R | | | X | X | X | X | X |
| 100 | 28-123017-1 | . Adapter Assembly | 2 | | | X | X | X | X | X |
| 101 | MS28778-8 | . O-Ring, N507-90, 0.644 | 1 | | | X | X | X | X | X |
| 110 | 28-11112-1 | . Oil Cooler Mount Assembly | 1 | | | X | X | X | X | X |
| 120 | AN3-11A | . Bolt | 4 | | | X | X | X | X | X |
| 130 | NAS1149F0363P | . Washer | 8 | | | X | X | X | X | X |
| 130 | AN960-10 | . Washer (Superseded by NAS1149F0363P) | 8 | | | X | X | X | X | X |
| 140 | MS21044N3 | . Nut | 17 | | | X | X | X | X | X |
| 140 | AN365-1032A | . Nut (Superseded by MS21044N3) | 17 | | | X | X | X | X | X |
| 150 | AN3-4A | . Bolt | A/R | | | X | X | X | X | X |
| 160 | NAS1149F0332P | . Washer | A/R | | | X | X | X | X | X |

ENSTROM F-28/280 SERIES ILLUSTRATED PARTS CATALOG

FIGURE 3-7. OIL COOLER INSTALLATION (C, F MODELS)

| ITEM NUMBER | PART NUMBER | DESCRIPTION | QTY PER ASSY | MODELS AFFECTED | | | | | | |
|-------------|---------------|--|--------------|-----------------|-----|-------|------|-------|------|-------|
| | | | | F-28A | 280 | F-28C | 280C | F-28F | 280F | 280FX |
| 160 | AN960-10L | . Washer (Superseded by NAS1149F0332P) | A/R | | | X | X | X | X | X |
| 170 | 280-126003-1 | . Oil Cooler Exit Duct | 1 | | | X | X | X | X | X |
| 180 | 20042A | . Oil Cooler | 1 | | | X | X | X | X | X |
| 190 | 28-12618-5 | . Air Duct Inlet | 1 | | | X | X | | | |
| 190 | 28-12618-1 | . Air Duct Inlet (Superseded by 28-12618-50) | 1 | | | | | X | X | X |
| 200 | 28-12618-13 | . Strap Oil Cooler Air Duct Inlet | 2 | | | | | X | X | X |
| 200 | 28-12624-1 | . Boot Retaining Strap (Superseded by 28-12618-13) | 1 | | | X | X | | | |
| 210 | 280-126002-1 | . Oil Cooler Boot | 1 | | | X | X | X | X | X |
| 220 | 28-12654-11 | . Fan Shroud | 1 | | | | | X | X | X |
| 220 | 280-126001-45 | . Strap (Obsolete) | 2 | | | X | X | X | | |
| 230 | 28-12654-13 | . Fan Shroud | 1 | | | | | X | X | X |
| 230 | 280-126001-47 | . Strap (Obsolete) | 2 | | | X | X | | | |
| 240 | 28-12664-11 | . Fan Shroud | 1 | | | | | X | X | X |
| 250 | MS35206-244 | . Screw | 10 | | | X | X | | | |
| 250 | AN515-8R7 | . Screw (Superseded by MS35206-244) | 10 | | | X | X | | | |
| 250 | AN3-4A | . Bolt | 8 | | | | | X | X | X |
| 260 | NAS1149FN832P | . Washer | 10 | | | X | X | | | |
| 260 | AN960-8 | . Washer (Superseded by NAS1149FN832P) | 10 | | | X | X | | | |
| 260 | NAS1149F0332P | . Washer | 8 | | | | | X | X | X |
| 260 | AN960-10L | . Washer (Superseded by NAS1149F0332P) | 8 | | | | | X | X | X |
| 270 | 28-12626-13 | . Heat Shield | 1 | | | | | X | X | X |
| 270 | 28-12626-1 | . Heat Shield (Superseded by 28-12626-13) | 1 | | | X | X | | | |
| 280 | MS35206-244 | . Screw | A/R | | | X | X | X | X | X |
| 280 | AN515-8R7 | . Screw (Superseded by MS35206-244) | A/R | | | X | X | X | X | X |

ENSTROM F-28/280 SERIES ILLUSTRATED PARTS CATALOG

FIGURE 3-7. OIL COOLER INSTALLATION (C, F MODELS)

| ITEM NUMBER | PART NUMBER | DESCRIPTION | QTY PER ASSY | MODELS AFFECTED | | | | | | |
|-------------|---------------|--|--------------|-----------------|-----|-------|------|-------|------|-------|
| | | | | F-28A | 280 | F-28C | 280C | F-28F | 280F | 280FX |
| 290 | NAS1149FN832P | . Washer | A/R | | | X | X | X | X | X |
| 290 | AN960-8 | . Washer (Superseded by NAS1149FN832P) | A/R | | | X | X | X | X | X |
| 300* | 28-12151-1 | . Oil Line | 1 | | | X | X | X | X | X |
| 310* | 20206A | . Oil Cooler | 1 | | | X | X | X | X | X |
| 320* | 848-FSO-10-08 | . Adapter | 2 | | | X | X | X | X | X |
| 321 | MS28778-8 | . O-Ring, N507-90, 0.644 | 2 | | | X | X | X | X | X |
| 330* | AN3-5A | . Bolt | 5 | | | X | X | X | X | X |
| 340* | 28-12160-11 | . Spacer | 2 | | | X | X | X | X | X |
| 350* | 28-12150-1 | . Aux Oil Cooler Hose | 1 | | | X | X | X | X | X |
| 360* | AN503-416-28 | . Screw | 2 | | | X | X | X | X | X |
| 370* | 28-12158-11 | . Clamp | 2 | | | X | X | X | X | X |
| 380 | NAS43HT4-64 | . Spacer | 2 | | | X | X | X | X | X |

* Applicable to F-28A model aircraft equipped with the Exit Duct Assembly, P/N 280-126003-1.

ENSTROM F-28/280 SERIES ILLUSTRATED PARTS CATALOG

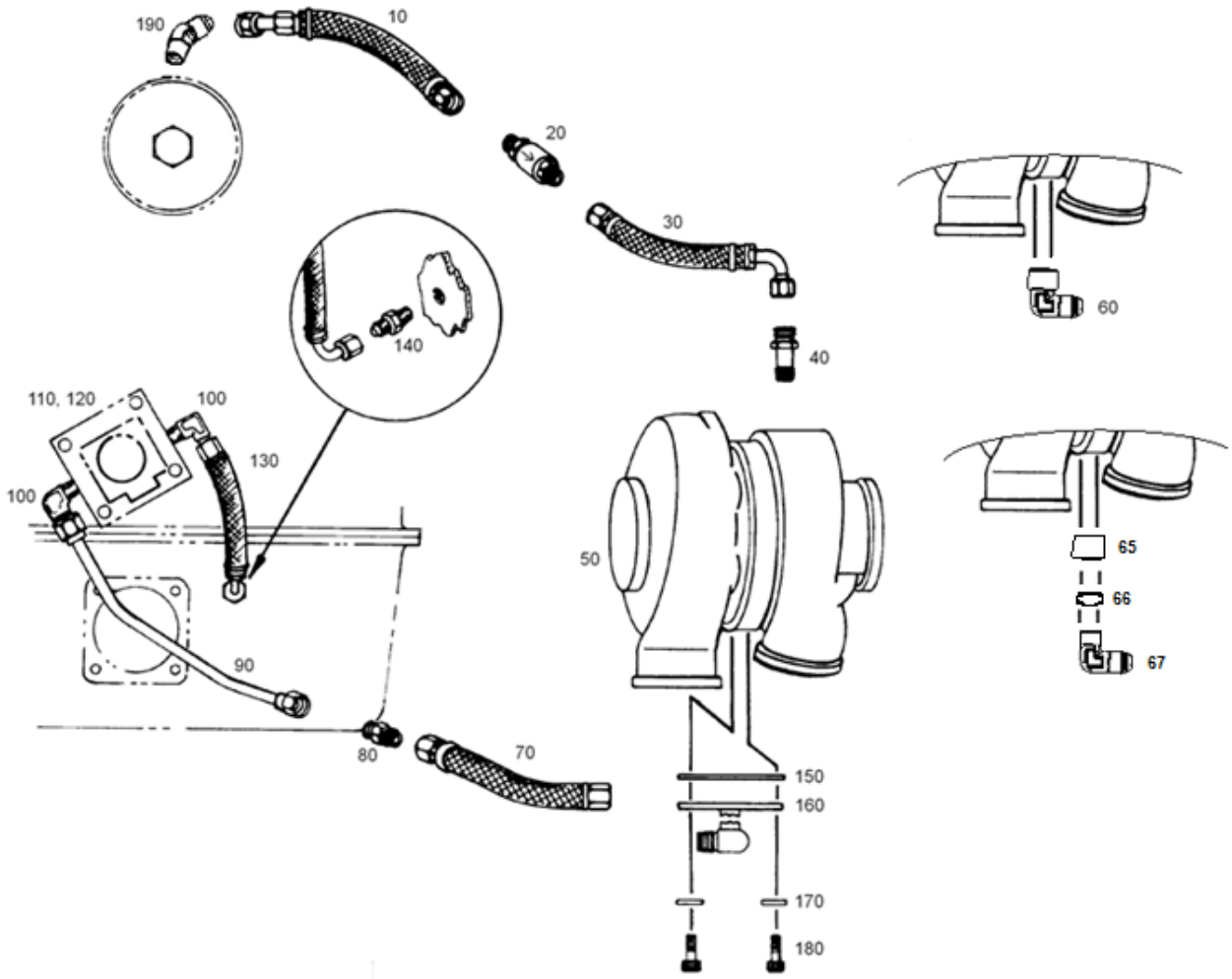


FIGURE 3-8. TURBOCHARGER OIL LINES

(C, F MODELS)

ENSTROM F-28/280 SERIES ILLUSTRATED PARTS CATALOG

FIGURE 3-8. TURBOCHARGER OIL LINES

| ITEM NUMBER | PART NUMBER | DESCRIPTION | QTY PER ASSY | MODELS AFFECTED | | | | | | |
|-------------|----------------|---|--------------|-----------------|-----|-------|------|-------|------|-------|
| | | | | F-28A | 280 | F-28C | 280C | F-28F | 280F | 280FX |
| 10 | 28-121011-3 | . Hose Assembly | 1 | | | X | X | X | X | X |
| 20† | 28-12134-15 | . Check Valve | 1 | | | X | X | X | X | X |
| 20 | 28-12134-13 | . Check Valve (Superseded by 28-12134-15) | 1 | | | X | X | X | X | X |
| 20 | 488-4D28-20 | . Check Valve (Superseded by 28-12134-13) | 1 | | | X | X | X | X | X |
| 30 | 28-121005-19 | . Hose Assembly | 1 | | | X | X | X | X | X |
| 40 | AN816-4 | . Nipple | 1 | | | X | X | X | X | X |
| 40 | AN816-4D | . Union, Aluminum (Superseded by AN816-4) | 1 | | | X | X | X | X | X |
| 40 | 28-121012-11 | . Oil Inlet Adapter (Obsolete) | 1 | | | X | X | | | |
| 50 | 600700-0000 | . Turbocharger | 1 | | | X | X | X | X | X |
| 50 | 3BT5EE10J2 | . Turbocharger (Superseded by 600700-0000) | 1 | | | X | X | X | X | X |
| 50 | 325E10-2 | . Turbocharger (Superseded by 3BT5EE10J2) | 1 | | | X | X | | | |
| 60♦ | 28-12155-1 | . Fitting (Replaces Items 150, 160, 170, and 180) | 1 | | | X | X | X | X | X |
| —* | 28-12134-991 | . Turbocharger Drain Fitting Kit | 1 | | | | | X | | X |
| 65* | 28-12155-15 | . . Adapter | 1 | | | | | X | | X |
| 66** | 3-904 V0894-90 | . . O-ring | 1 | | | | | X | | X |
| 67** | 6-4 C5OX-S | . . Elbow | 1 | | | | | X | | X |
| —** | 28-125082-3 | . . Bracket Weldment | 1 | | | | | X | | X |
| 70 | 28-124003-5 | . Hose Assembly | 1 | | | X | X | X | X | X |
| 80 | AN815-6 | . Union | 1 | | | X | X | X | X | X |
| 90 | 28-121009-3 | . Line Assembly Turbo Drain | 1 | | | X | X | X | X | X |
| 100 | MS20822-6-6 | . Elbow Fitting | 2 | | | X | X | X | X | X |
| 110 | 101678-0002 | . Pump, Turbocharger Oil Scavenge | 1 | | | X | X | X | X | X |
| 110 | RJ-1045-2 | . Pump, Turbocharger Oil Scavenge (Superseded by 101678-0002) | 1 | | | X | X | X | X | X |
| 120 | AS3494-01 | . Gasket, Fuel Pump | 2 | | | X | X | X | X | X |

ENSTROM F-28/280 SERIES ILLUSTRATED PARTS CATALOG

FIGURE 3-8. TURBOCHARGER OIL LINES

| ITEM NUMBER | PART NUMBER | DESCRIPTION | QTY PER ASSY | MODELS AFFECTED | | | | | | |
|-------------|---------------|---|--------------|-----------------|-----|-------|------|-------|------|-------|
| | | | | F-28A | 280 | F-28C | 280C | F-28F | 280F | 280FX |
| 120 | 1691-C | . Gasket, Fuel Pump (Superseded by AS3494-01) | 2 | | | X | X | X | X | X |
| 130 | 28-121011-1 | . Hose Assembly | 1 | | | X | X | X | X | X |
| 140 | MS51500-B6-8 | . Adapter | 1 | | | X | X | X | X | X |
| 150 | RJ-0370 | . Gasket (No longer used) | 1 | | | X | X | | | |
| 160* | 28-125008-1 | . Oil Drain Fitting Assembly (No longer used) | 1 | | | X | X | | | |
| 170 | NAS1149C0632R | . Washer (No longer used) | 2 | | | X | X | | | |
| 170 | AN960C616L | . Washer (No longer used) | 2 | | | X | X | | | |
| 180 | MS24674-45 | . Bolt (No longer used) | 2 | | | X | X | | | |
| 190 | ECD110-11 | . Restricted Fitting, Oil Gauge | 1 | | | X | X | X | X | X |
| 190 | 02A22619 | . Restricted Fitting, Oil Gauge (Alternate) | 1 | | | X | X | X | X | X |

◆ Eligible: F-28C S/N 304, 331 – 508; 280C S/N 1020, 1023 – 1227; 280F S/N 1212, 1500 – 1519; F-28F S/N 509 – 831; 280FX S/N 2001 – 2146.

* Effective: F-28F S/N 832 and subsequent; 280FX S/N 2147 and subsequent.
 Eligible: F-28C all S/N; 280C all S/N; F-28F S/N 509 and subsequent; 280FX S/N 2001 and subsequent if bracket P/N 28-125082-3 is installed (replacing P/N 28-125082-1). See Figure 3-29.

** Used with 28-12155-15 only.

† Effectivity F-28F/280FX S/N 833, 2169 and subsequent; Eligibility F-28C/280C all S/N, F-28F/280FX S/N 509, 2001 and subsequent.

ENSTROM F-28/280 SERIES ILLUSTRATED PARTS CATALOG

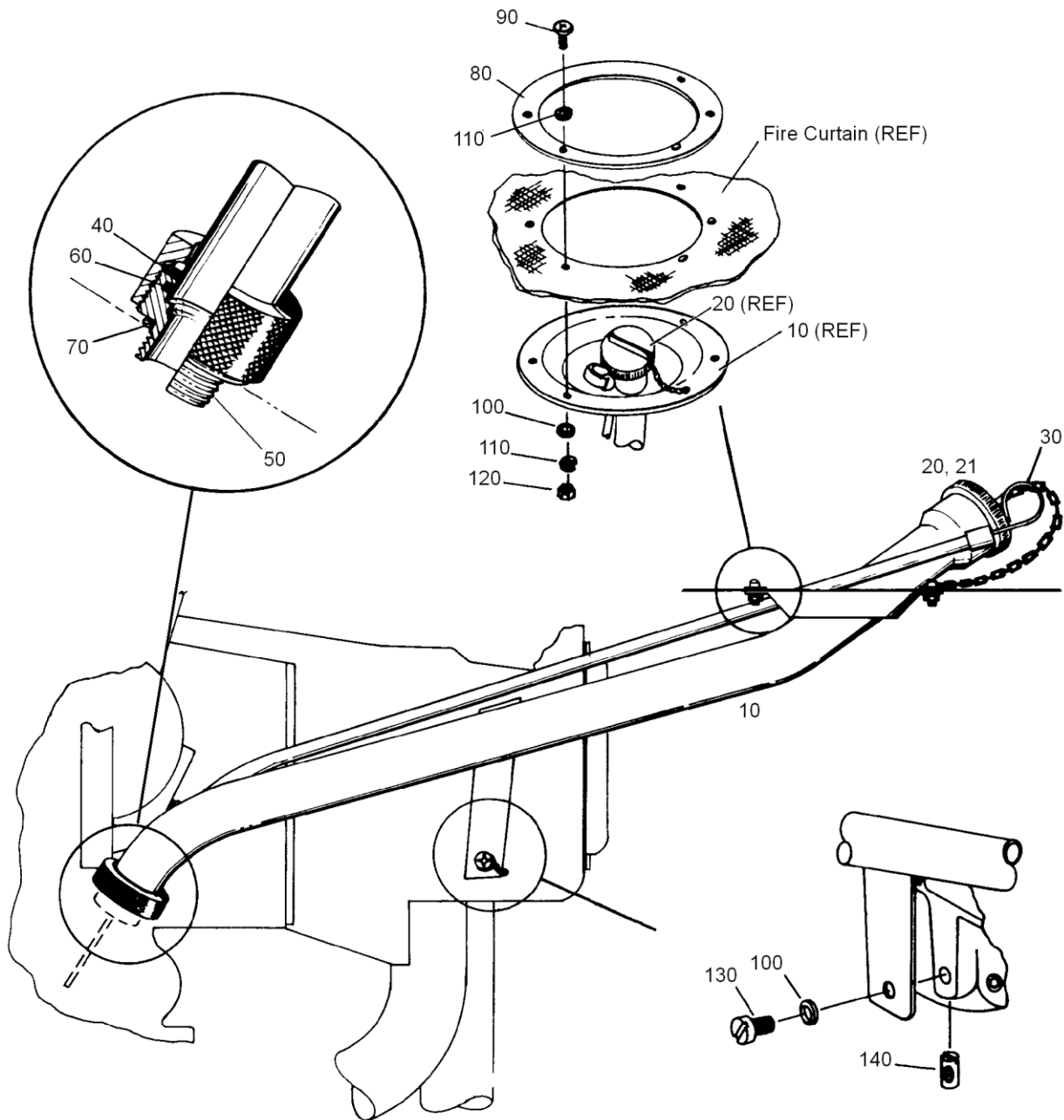


FIGURE 3-9. OIL FILL TUBE INSTALLATION

ENSTROM F-28/280 SERIES ILLUSTRATED PARTS CATALOG

FIGURE 3-9. OIL FILL TUBE INSTALLATION

| ITEM NUMBER | PART NUMBER | DESCRIPTION | QTY PER ASSY | MODELS AFFECTED | | | | | | |
|-------------|---------------|--|--------------|-----------------|-----|-------|------|-------|------|-------|
| | | | | F-28A | 280 | F-28C | 280C | F-28F | 280F | 280FX |
| 10 | 28-12112-5 | . Tube Assembly Oil Fill | 1 | | | X | X | X | X | X |
| 10 | 28-12118-2 | . Tube Assembly Oil Fill (Superseded by 28-12112-5) | 1 | X | X | X | X | X | X | X |
| 10 | 28-12112-4 | . Oil Fill Tube Assembly (Superseded by 28-12112-2) | 1 | X | X | | | | | |
| 20 | 28-12122-1 | . . Cap Assembly | 1 | X | X | X | X | X | X | X |
| 21 | 1239 | . . Oil Filler Cap Gasket | 1 | X | X | X | X | X | X | X |
| 30 | 28-12125-1 | . . Dip Stick Assembly | 1 | X | X | | | | | |
| 30 | 28-121001-1 | . . Dip Stick Assembly | 1 | | | X | X | X | X | X |
| 40 | 2-218 | . O-Ring | 1 | X | X | X | X | X | X | X |
| 40 | MS28775-218 | . O-Ring (Alternate to 2-218) | 1 | X | X | X | X | X | X | X |
| 50 | 28-12116-11 | . Engine Adaptor | 1 | X | X | X | X | X | X | X |
| 60 | 2-026 | . O-Ring | 1 | X | X | X | X | X | X | X |
| 60 | MS28775-026 | . O-Ring (Alternate to 2-026) | 1 | X | X | X | X | X | X | X |
| 70 | 2-214 | . O-Ring | 1 | X | X | X | X | X | X | X |
| 70 | MS28775-214 | . O-Ring (Alternate to 2-214) | 1 | X | X | X | X | X | X | X |
| 80 | 28-12127-11 | . Ring, Support Scupper Oil | 1 | X | X | X | X | X | X | X |
| 90 | MS35206-244 | . Screw | 6 | X | X | X | X | X | X | X |
| 90 | AN517-8R7 | . Screw (Superseded by MS35206-244) | 6 | X | X | X | X | X | X | X |
| 100 | NAS1149FN816F | . Washer | 13 | X | X | X | X | X | X | X |
| 100 | AN960-8L | . Washer (Superseded by NAS1149FN816F) | 13 | X | X | X | X | X | X | X |
| 110 | MS35338-42 | . Lock Washer | 6 | X | X | X | X | X | X | X |
| 110 | AN935-8 | . Lock Washer (Superseded by MS35338-42) | 6 | X | X | X | X | X | X | X |
| 120 | MS35649-282 | . Nut | 6 | X | X | X | X | X | X | X |
| 120 | AN340-832 | . Nut (Superseded by MS35649-282) | 6 | X | X | X | X | X | X | X |
| 130 | AN502-10-8 | . Screw | 1 | X | X | X | X | X | X | X |

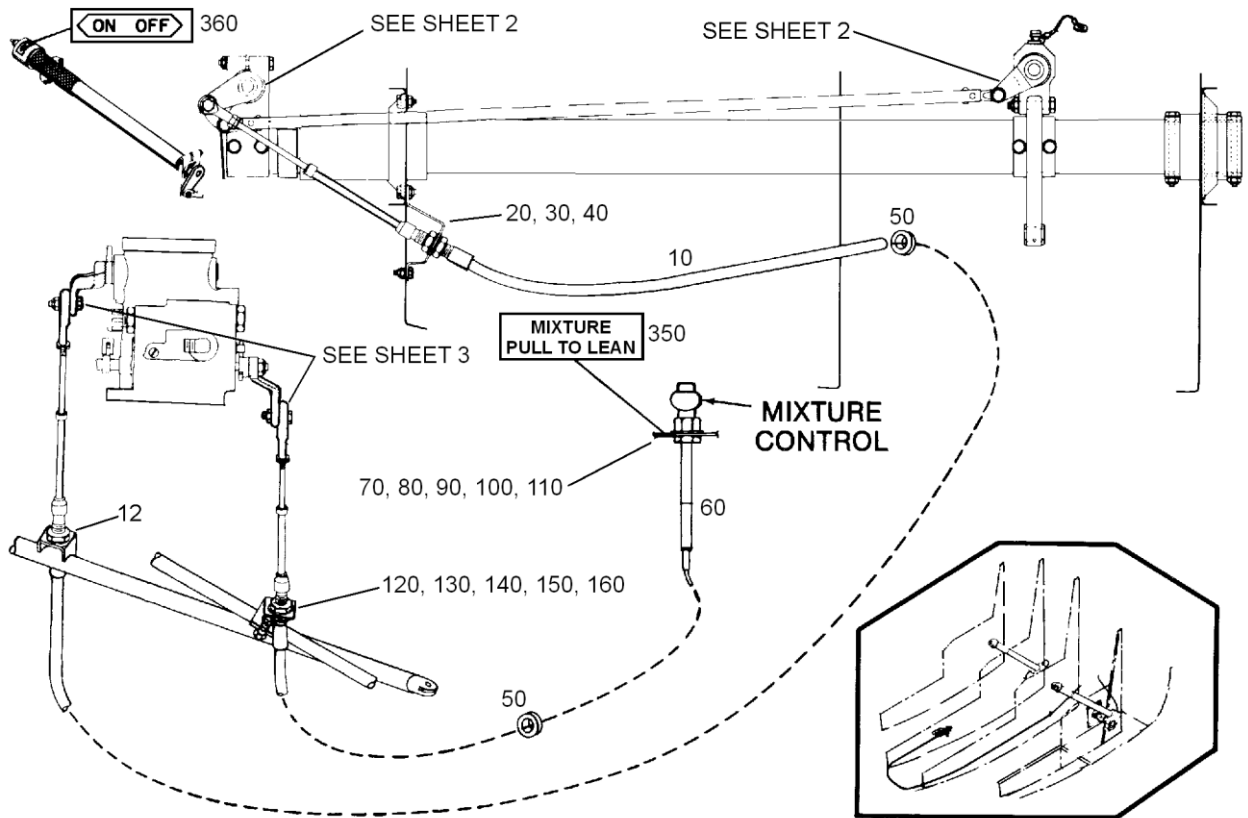
ENSTROM F-28/280 SERIES ILLUSTRATED PARTS CATALOG

FIGURE 3-9. OIL FILL TUBE INSTALLATION

| ITEM NUMBER | PART NUMBER | DESCRIPTION | QTY PER ASSY | MODELS AFFECTED | | | | | | |
|-------------|---------------|-------------------|--------------|-----------------|-----|-------|------|-------|------|-------|
| | | | | F-28A | 280 | F-28C | 280C | F-28F | 280F | 280FX |
| 140* | 65614 | . Plug, Attaching | 1 | X | X | X | X | X | X | X |
| 150 | NAS1149F0332P | . Washer, Flat | 1 | X | X | X | X | X | X | X |

* Obtain from Lycoming Distributor.

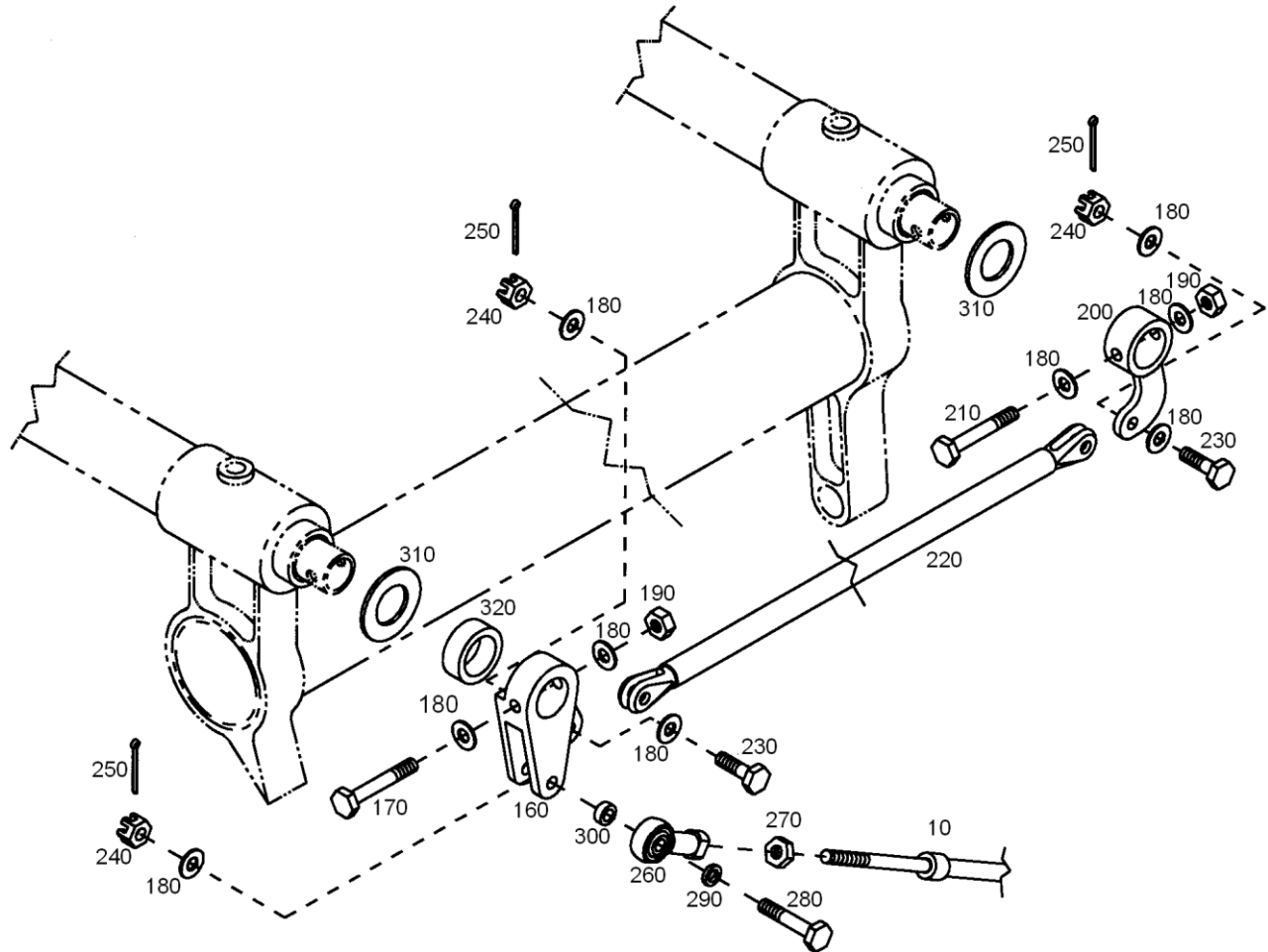
ENSTROM F-28/280 SERIES ILLUSTRATED PARTS CATALOG



Sheet 1 of 3

FIGURE 3-10. THROTTLE AND MIXTURE CONTROL INSTALLATION (A, C MODELS)

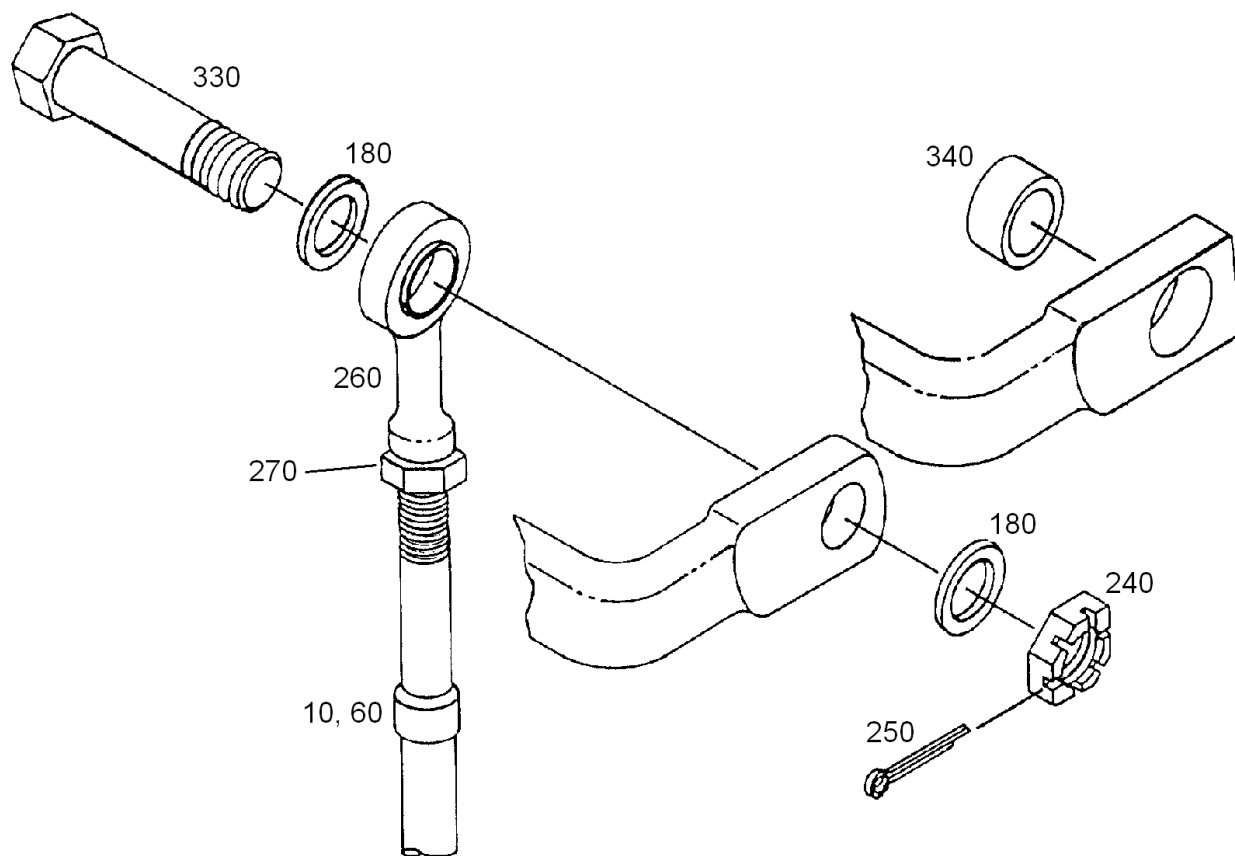
ENSTROM F-28/280 SERIES ILLUSTRATED PARTS CATALOG



Sheet 2 of 3

FIGURE 3-10. THROTTLE AND MIXTURE CONTROL INSTALLATION (A, C MODELS)

ENSTROM F-28/280 SERIES ILLUSTRATED PARTS CATALOG



Sheet 3 of 3

FIGURE 3-10. THROTTLE AND MIXTURE CONTROL INSTALLATION (A, C MODELS)

ENSTROM F-28/280 SERIES ILLUSTRATED PARTS CATALOG

FIGURE 3-10. THROTTLE AND MIXTURE CONTROL INSTALLATION (A, C MODELS)

| ITEM NUMBER | PART NUMBER | DESCRIPTION | QTY PER ASSY | MODELS AFFECTED | | | | | | |
|-------------|-----------------|--|--------------|-----------------|-----|-------|------|-------|------|-------|
| | | | | F-28A | 280 | F-28C | 280C | F-28F | 280F | 280FX |
| 10 | 65-4527-2229 | . Throttle Control Cable | 1 | X | X | X | X | | | |
| 20 | 28-16447-1 | . Bracket (Obsolete) | 1 | X | | X | | | | |
| 20 | 280-113006-19 | . Throttle Bracket (Obsolete) | 1 | | X | | X | | | |
| 30 | AN3-4A | . Bolt | 4 | X | X | X | X | | | |
| 40 | MS21044N3 | . Nut | 4 | X | X | X | X | | | |
| 40 | AN365-1032A | . Nut (Superseded by MS21044N3) | 4 | X | X | X | X | | | |
| 50 | AN931-5-9 | . Grommet | 3 | | X | X | X | | | |
| 60 | 57-3255-2121 | . Mixture Control Cable | 1 | X | X | X | X | | | |
| 60 | 3A1535-B96-A100 | . Mixture Control Cable (Obsolete) | 1 | X | | | | | | |
| 60 | 3A-3140 | . Mixture Control Cable (Obsolete) | 1 | X | | | | | | |
| 70* | 28-164001-1 | . Bracket | 1 | X | | X | | | | |
| 70** | 28-16405-1 | . Bracket | 1 | X | | | | | | |
| 80 | AN526-832R7 | . Screw | 4 | X | | X | | | | |
| 80 | AN526-8R7 | . Screw (Superseded by AN526-832R7) | 4 | X | | X | | | | |
| 90 | NAS1149FN816P | . Washer | 8 | X | | X | | | | |
| 90 | AN960-8L | . Washer (Superseded by NAS1149FN816P) | 8 | X | | X | | | | |
| 100 | MS21044N08 | . Nut | 4 | X | | X | | | | |
| 100 | AN365-832A | . Nut (Superseded by MS21044N08) | 4 | X | | X | | | | |
| 110 | NAS1149F1232P | . Washer | 1 | X | X | X | X | | | |
| 110 | AN960-1216L | . Washer (Superseded by NAS1149F1232P) | 1 | X | X | X | X | | | |
| 110** | NAS1149F0632P | . Washer | 1 | X | | | | | | |
| 110** | AN960-616L | . Washer (Superseded by NAS1149F0632P) | 1 | X | | | | | | |
| 120 | NAS1149F0732P | . Washer | 2 | X | X | X | X | | | |
| 120 | AN960-716L | . Washer (Superseded by NAS1149F0732P) | 2 | X | X | X | X | | | |
| 130 | 28-111004-1 | . Bracket | 1 | | | X | X | | | |
| 140 | AN3-10A | . Bolt | 2 | | | X | X | | | |

ENSTROM F-28/280 SERIES ILLUSTRATED PARTS CATALOG

FIGURE 3-10. THROTTLE AND MIXTURE CONTROL INSTALLATION (A, C MODELS)

| ITEM NUMBER | PART NUMBER | DESCRIPTION | QTY PER ASSY | MODELS AFFECTED | | | | | | |
|-------------|----------------|--|--------------|-----------------|-----|-------|------|-------|------|-------|
| | | | | F-28A | 280 | F-28C | 280C | F-28F | 280F | 280FX |
| 150 | NAS1149F0332P | . Washer | 4 | | | X | X | | | |
| 150 | AN960-10L | . Washer (Superseded by NAS1149F0332P) | 4 | | | X | X | | | |
| 160 | AN365-1032A | . Nut | 2 | | | X | X | | | |
| 160 | 28-16168-1 | . Bellcrank (Pilot) | 1 | X | X | X | X | | | |
| 170 | AN3-13A | . Bolt | 1 | X | X | X | X | | | |
| 180 | NAS1149F0332P | . Washer | 13 | X | X | X | X | | | |
| 180 | AN960-10L | . Washer (Superseded by NAS1149F0332P) | 13 | X | X | X | X | | | |
| 190 | MS21044N3 | . Nut | 2 | X | X | X | X | | | |
| 190 | AN364-1032A | . Nut (Superseded by MS21044N3) | 2 | X | X | X | X | | | |
| 200 | 28-16407-1 | . Bellcrank (Copilot) | 1 | X | X | X | X | | | |
| 210 | AN3-12A | . Bolt | 1 | X | X | X | X | | | |
| 220 | 28-16401-1 | . Tie Rod Assembly | 1 | X | | X | | | | |
| 220 | 28-16401-5 | . Tie Rod Assembly | 1 | | X | | X | | | |
| 230 | AN3-5 | . Bolt | 2 | X | X | X | X | | | |
| 240 | MS17825-3 | . Nut | 5 | X | X | X | X | | | |
| 240 | F12-NE-4753-02 | . Nut (Superseded by MS17825-3) | 5 | X | X | X | X | | | |
| 250 | MS24665-151 | . Cotter Pin | 5 | X | X | X | X | | | |
| 250 | AN381-2-8 | . Cotter Pin (Superseded by MS24665-151) | 5 | X | X | X | X | | | |
| 260 | HFVV-3M | . Rod End | 3 | X | X | X | X | | | |
| 270 | AN315-3R | . Nut | 3 | X | X | X | X | | | |
| 280 | AN3-10 | . Bolt | 1 | X | X | X | X | | | |
| 290 | 28-16403-1 | . Spacer (Obsolete) | 1 | X | X | X | X | | | |
| 300 | 28-16404-1 | . Spacer, Rod End | 1 | X | X | X | X | | | |
| 310≡ | G08DU | . Washer | 1 | X | X | | | | | |
| 310≡ | G08DU | . Washer | 2 | | | X | X | | | |
| 320 | 28-16006-1 | . Spacer (Obsolete) | 1 | | | X | X | | | |
| 330 | AN3-7 | . Bolt | 2 | X | X | X | X | | | |

ENSTROM F-28/280 SERIES ILLUSTRATED PARTS CATALOG

FIGURE 3-10. THROTTLE AND MIXTURE CONTROL INSTALLATION (A, C MODELS)

| ITEM NUMBER | PART NUMBER | DESCRIPTION | QTY PER ASSY | MODELS AFFECTED | | | | | | |
|-------------|--------------|--------------------------|--------------|-----------------|-----|-------|------|-------|------|-------|
| | | | | F-28A | 280 | F-28C | 280C | F-28F | 280F | 280FX |
| 340† | 28-164043-11 | . Bushing | 2 | X | X | X | X | | | |
| 350** | 28-16449-1 | . Placard, Full Mixture | 1 | X | | | | | | |
| 350 | 28-18075-1 | . Placard, Pull For Idle | 1 | X | X | X | X | | | |
| 360 | 28-16215-1 | . Placard, ON-OFF | 1 | X | X | X | X | | | |

* Use with "wide" instrument panel.

** Use with obsolete mixture control cable, P/N 3A1535-B96-A100 or 3A-3140.

† Only required if fuel injector throttle or mixture arms have a 0.25" bolt hole.

≡ See Appendix A for equivalent part information.

ENSTROM F-28/280 SERIES ILLUSTRATED PARTS CATALOG

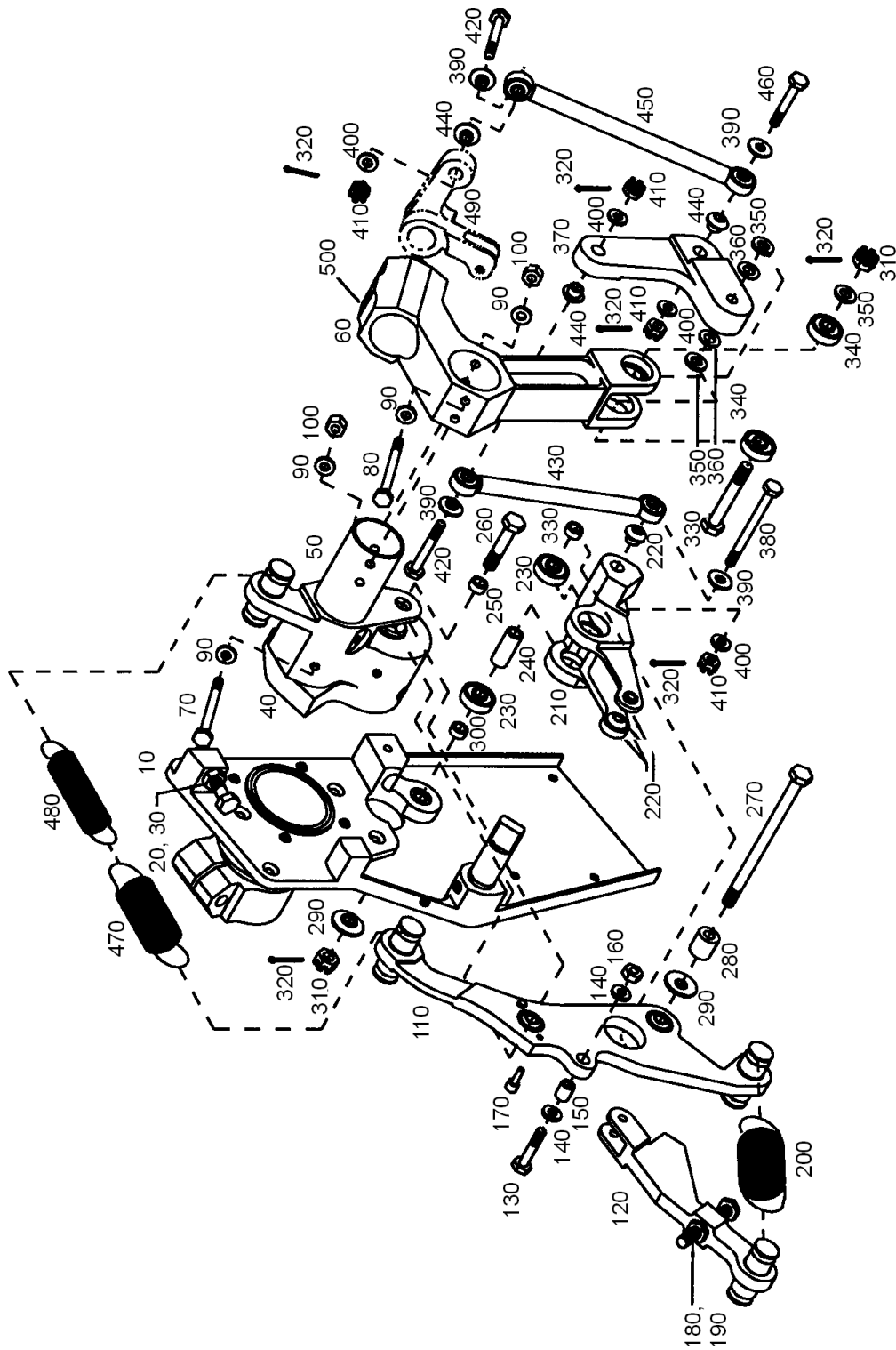


FIGURE 3-11. THROTTLE CORRELATOR ASSEMBLY (F MODELS)

ENSTROM F-28/280 SERIES ILLUSTRATED PARTS CATALOG

FIGURE 3-11. THROTTLE CORRELATOR ASSEMBLY (F MODELS)

| ITEM NUMBER | PART NUMBER | DESCRIPTION | QTY PER ASSY | MODELS AFFECTED | | | | | | |
|-------------|---------------|---|--------------|-----------------|-----|-------|------|-------|------|-------|
| | | | | F-28A | 280 | F-28C | 280C | F-28F | 280F | 280FX |
| 10 | 28-16096-3 | . Plate Assembly | 1 | | | | | X | X | X |
| 10 | 28-16096-1 | . Plate Assembly (Superseded by 28-16096-3) | 1 | | | | | X | X | X |
| 20 | NAS428K4A16 | . . Bolt | 1 | | | | | X | X | X |
| 20 | NAS428K4-16 | . . Bolt (Superseded by NAS428K4A16) | 1 | | | | | X | X | X |
| - | AN316-4R | . . Jam Nut | 1 | | | | | X | X | X |
| - | 28-16080-901 | . Offset Tube and Socket Assembly | 1 | | | | | X | X | X |
| 40 | 28-16421-1 | . . Offset Tube Assembly | 1 | | | | | X | X | X |
| 50 | 28-16088-13 | . . Tube | 1 | | | | | X | X | X |
| 60 | 28-16409-15 | . . Socket Control Throttle | 1 | | | | | X | X | X |
| 60 | 28-16409-13 | . . Socket Control Throttle (Replaced by 28-16409-15) | 1 | | | | | X | X | X |
| 70 | AN173-17A | . . Bolt | 2 | | | | | X | X | X |
| 80 | AN173-21A | . . Bolt | 2 | | | | | X | X | X |
| 90 | NAS1149F0363P | . . Washer | 8 | | | | | X | X | X |
| 90 | AN960-10 | . . Washer (Superseded by NAS1149F0363P) | 8 | | | | | X | X | X |
| 100 | MS21044N3 | . . Nut | 4 | | | | | X | X | X |
| 100 | AN365-1032A | . . Nut (Superseded by MS21044N3) | 4 | | | | | X | X | X |
| - | 28-16478-3 | . Pivot Support Assembly | 1 | | | | | X | X | X |
| - | 28-16478-5 | . Pivot Support Assembly (Superseded by 28-16478-3) | 1 | | | | | X | X | X |
| 110 | 28-16479-13 | . . Pivot Support Plate | 1 | | | | | X | X | X |
| 120 | 28-16484-11 | . . Clapper | 1 | | | | | X | X | X |
| 130 | NAS6603-10 | . . Bolt | 1 | | | | | X | X | X |
| 130 | AN3-10A | . . Bolt (Superseded by NAS6603-10) | 1 | | | | | X | X | X |
| 140 | NAS1149F0363P | . . Washer | 2 | | | | | X | X | X |
| 140 | AN960-10 | . . Washer (Superseded by NAS1149F0363P) | 2 | | | | | X | X | X |
| 150 | 28-16476-2 | . . Bushing | 1 | | | | | X | X | X |

ENSTROM F-28/280 SERIES ILLUSTRATED PARTS CATALOG

FIGURE 3-11. THROTTLE CORRELATOR ASSEMBLY (F MODELS)

| ITEM NUMBER | PART NUMBER | DESCRIPTION | QTY PER ASSY | MODELS AFFECTED | | | | | | |
|-------------|-----------------|--|--------------|-----------------|-----|-------|------|-------|------|-------|
| | | | | F-28A | 280 | F-28C | 280C | F-28F | 280F | 280FX |
| 160 | MS21083N3 | . . Nut | 1 | | | | | X | X | X |
| 160 | AN364-1032A | . . Nut (Superseded by MS21083N3) | 1 | | | | | X | X | X |
| 170 | 28-16098-11 | . . Stop Pin | 2 | | | | | X | X | X |
| 180 | NAS428K4-16 | . . Bolt | 1 | | | | | X | X | X |
| 190 | AN316-4R | . . Nut | 1 | | | | | X | X | X |
| 200 | MS24586-C346 | . . Spring | 2 | | | | | X | X | X |
| - | 28-16481-5 | . Output Lever Assembly | 1 | | | | | X | X | X |
| 210 | 28-16482-13 | . . Output Lever | 1 | | | | | X | X | X |
| 220 | 28-16473-1 | . . Bushing | 3 | | | | | X | X | X |
| 230 | KP4A | . . Bearing | 2 | | | | | X | X | X |
| 240 | 28-16477-1 | . Spacer | 1 | | | | | X | X | X |
| 250 | 28-16476-3 | . Bushing | 1 | | | | | X | X | X |
| 260 | AN4H-12A | . Bolt | 1 | | | | | X | X | X |
| 270 | NAS6604D56 | . Bolt | 1 | | | | | X | X | X |
| 270 | AN4-37 | . Bolt (Superseded by NAS6604D56) | 1 | | | | | X | X | X |
| 280 | 28-16074-11 | . Spacer | 1 | | | | | X | X | X |
| 290 | 28-16087-11 | . Washer | 2 | | | | | X | X | X |
| 300 | 28-16477-2 | . Spacer | 2 | | | | | X | X | X |
| 310 | F12-NE-4753-048 | . Nut | 2 | | | | | X | X | X |
| 310 | MS17825-4 | . Nut (Alternate to F12-NE-4753-048) | 2 | | | | | X | X | X |
| 320 | MS24665-151 | . Cotter Pin | 6 | | | | | X | X | X |
| 320 | AN381-2-8 | . Cotter Pin (Superseded by MS24665-151) | 6 | | | | | X | X | X |
| 330 | NAS6604D21 | . Bolt | 1 | | | | | X | X | X |
| 330 | AN4-16 | . Bolt (Superseded by NAS6604D21) | 1 | | | | | X | X | X |
| 340 | KP4A | . Bearing | 2 | | | | | X | X | X |
| 350 | NAS1149F0463P | . Washer | 3 | | | | | X | X | X |

ENSTROM F-28/280 SERIES ILLUSTRATED PARTS CATALOG

FIGURE 3-11. THROTTLE CORRELATOR ASSEMBLY (F MODELS)

| ITEM NUMBER | PART NUMBER | DESCRIPTION | QTY PER ASSY | MODELS AFFECTED | | | | | | |
|-------------|----------------|--|--------------|-----------------|-----|-------|------|-------|------|-------|
| | | | | F-28A | 280 | F-28C | 280C | F-28F | 280F | 280FX |
| 350 | AN960-416 | . Washer (Superseded by NAS1149F0463P) | 3 | | | | | X | X | X |
| 360 | NAS1149F0432P | . Washer | 2 | | | | | X | X | X |
| 360 | AN960-416L | . Washer (Superseded by NAS1149F0432P) | 2 | | | | | X | X | X |
| 370 | 28-16021-11 | . Bellcrank | 1 | | | | | X | X | X |
| 380 | NAS6603D30 | . Bolt | 1 | | | | | X | X | X |
| 380 | AN3-22 | . Bolt (Superseded by NAS6603D30) | 1 | | | | | X | X | X |
| 390 | 28-16087-13 | . Washer | 4 | | | | | X | X | X |
| 400 | NAS1149F0363P | . . Washer | 4 | | | | | X | X | X |
| 400 | AN960-10 | . . Washer (Superseded by NAS1149F0363P) | 4 | | | | | X | X | X |
| 410 | F12-NE-4753-02 | . Nut | 4 | | | | | X | X | X |
| 410 | MS17825-3 | . Nut (Alternate to F12-NE-4753-02) | 4 | | | | | X | X | X |
| 420 | NAS6603D16 | . Bolt | 2 | | | | | X | X | X |
| 420 | AN3-13 | . Bolt (Superseded by NAS6603D16) | 2 | | | | | X | X | X |
| 430 | 28-16498-9 | . Tie Rod | 1 | | | | | X | X | X |
| 440 | 28-16473-1 | . Bushing | 3 | | | | | X | X | X |
| 450 | 28-16498-101 | . Tie Rod Assembly | 1 | | | | | X | X | X |
| 450* | 28-16498-9 | . Tie Rod | 1 | | | | | X | | |
| 460 | NAS6603D14 | . Bolt | 1 | | | | | X | X | X |
| 460 | AN3-12 | . Bolt (Superseded by NAS6603D14) | 1 | | | | | X | X | X |
| 470≡ | MS24586C311 | . Spring | 2 | | | | | X | X | X |
| 480≡ | MS24586C234 | . Spring | 2 | | | | | X | X | X |
| 490 | 28-16022-11 | . Bell Crank | 1 | | | | | X | X | X |
| 500 | 28-16011-1 | . Bolt Control Collective | 1 | | | | | X | X | X |
| - | NAS1149F0532P | . Washer, Flat | 1 | | | | | X | X | X |
| - | 28-113107-11 | . Throttle Correlator Spacer (0.032") | A/R | | | | | X | X | X |

ENSTROM F-28/280 SERIES ILLUSTRATED PARTS CATALOG

FIGURE 3-11. THROTTLE CORRELATOR ASSEMBLY (F MODELS)

| ITEM NUMBER | PART NUMBER | DESCRIPTION | QTY PER ASSY | MODELS AFFECTED | | | | | | |
|-------------|--------------|---------------------------------------|--------------|-----------------|-----|-------|------|-------|------|-------|
| | | | | F-28A | 280 | F-28C | 280C | F-28F | 280F | 280FX |
| - | 28-113107-13 | . Throttle Correlator Spacer (0.025") | A/R | | | | | X | X | X |
| - | 28-113107-15 | . Throttle Correlator Spacer (0.016") | A/R | | | | | X | X | X |
| - | 28-113108-11 | . Collective Stop Plate (0.032") | A/R | | | | | X | X | X |
| - | 28-113108-13 | . Collective Stop Plate (0.025") | A/R | | | | | X | X | X |
| - | 28-113108-15 | . Collective Stop Plate (0.016") | A/R | | | | | X | X | X |

- * Used on S/N 506, 507, and 509 through 736.
- ≡ See Appendix A for equivalent part information.

ENSTROM F-28/280 SERIES ILLUSTRATED PARTS CATALOG

|

INTENTIONALLY LEFT BLANK

ENSTROM F-28/280 SERIES ILLUSTRATED PARTS CATALOG

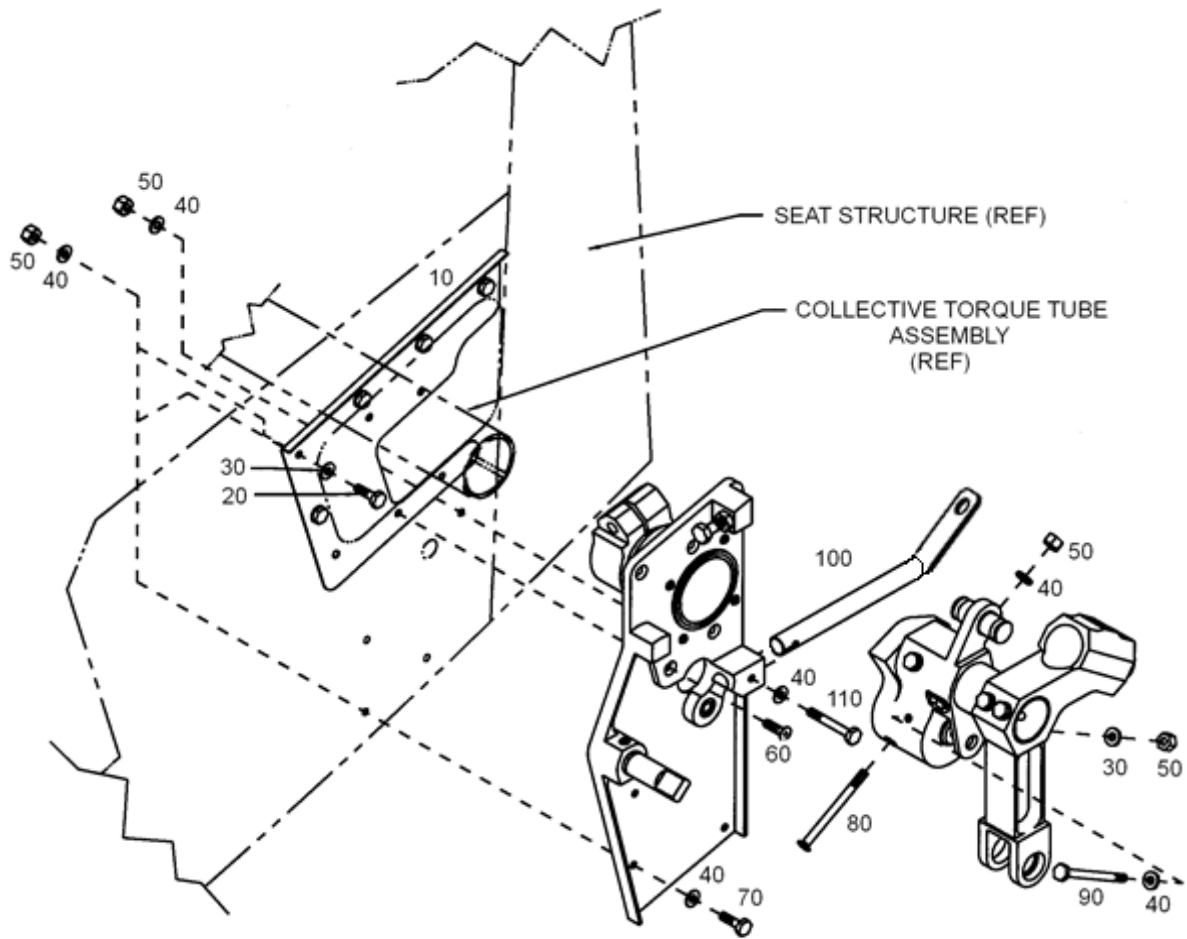


FIGURE 3-12. THROTTLE CORRELATOR INSTALLATION (F MODELS)

ENSTROM F-28/280 SERIES ILLUSTRATED PARTS CATALOG

FIGURE 3-12. THROTTLE CORRELATOR INSTALLATION (F MODELS)

| ITEM NUMBER | PART NUMBER | DESCRIPTION | QTY PER ASSY | MODELS AFFECTED | | | | | | |
|-------------|---------------|--|--------------|-----------------|-----|-------|------|-------|------|-------|
| | | | | F-28A | 280 | F-28C | 280C | F-28F | 280F | 280FX |
| 10 | 28-11298-13 | . Doubler | 1 | | | | | X | X | X |
| 20 | AN3-4A | . Bolt | 5 | | | | | X | X | X |
| 30 | NAS1149F0363P | . Washer | 6 | | | | | X | X | X |
| 30 | AN960-10 | . Washer (Superseded by NAS1149F0363P) | 6 | | | | | X | X | X |
| 40 | NAS1149F0332P | . Washer | 16 | | | | | X | X | X |
| 40 | AN960-10L | . Washer (Superseded by NAS1149F0332P) | 16 | | | | | X | X | X |
| 50 | MS21044N3 | . Nut | 16 | | | | | X | X | X |
| 50 | AN365-1032A | . Nut (Superseded by MS21044N3) | 16 | | | | | X | X | X |
| 60 | MS24694-52 | . Screw | 4 | | | | | X | X | X |
| 70 | AN3-5A | . Bolt | 4 | | | | | X | X | X |
| 80 | AN509-10R38 | . Screw | 1 | | | | | X | X | X |
| 80 | MS24694-80 | . Screw (Superseded by AN509-10R38) | 1 | | | | | X | X | X |
| 90 | AN3-23A | . Bolt | 1 | | | | | X | X | X |
| 100*◇ | 28-16499-9 | . Cable Support Assembly | 1 | | | | | X | X | X |
| 100**◇ | 28-16499-101 | . Cable Support Assembly | 1 | | | | | X | X | X |
| 110 | AN3-13A | . Bolt | 1 | | | | | X | X | X |

* F-28F S/N 830 and prior; 280FX S/N 2136 and prior.

** F-28F S/N 831 and subsequent; 280FX S/N 2137 and subsequent.

◇ For related info, refer also to online Enstrom Tech Tip, (Engine) *Throttle Cable Installation Repair*.

ENSTROM F-28/280 SERIES ILLUSTRATED PARTS CATALOG

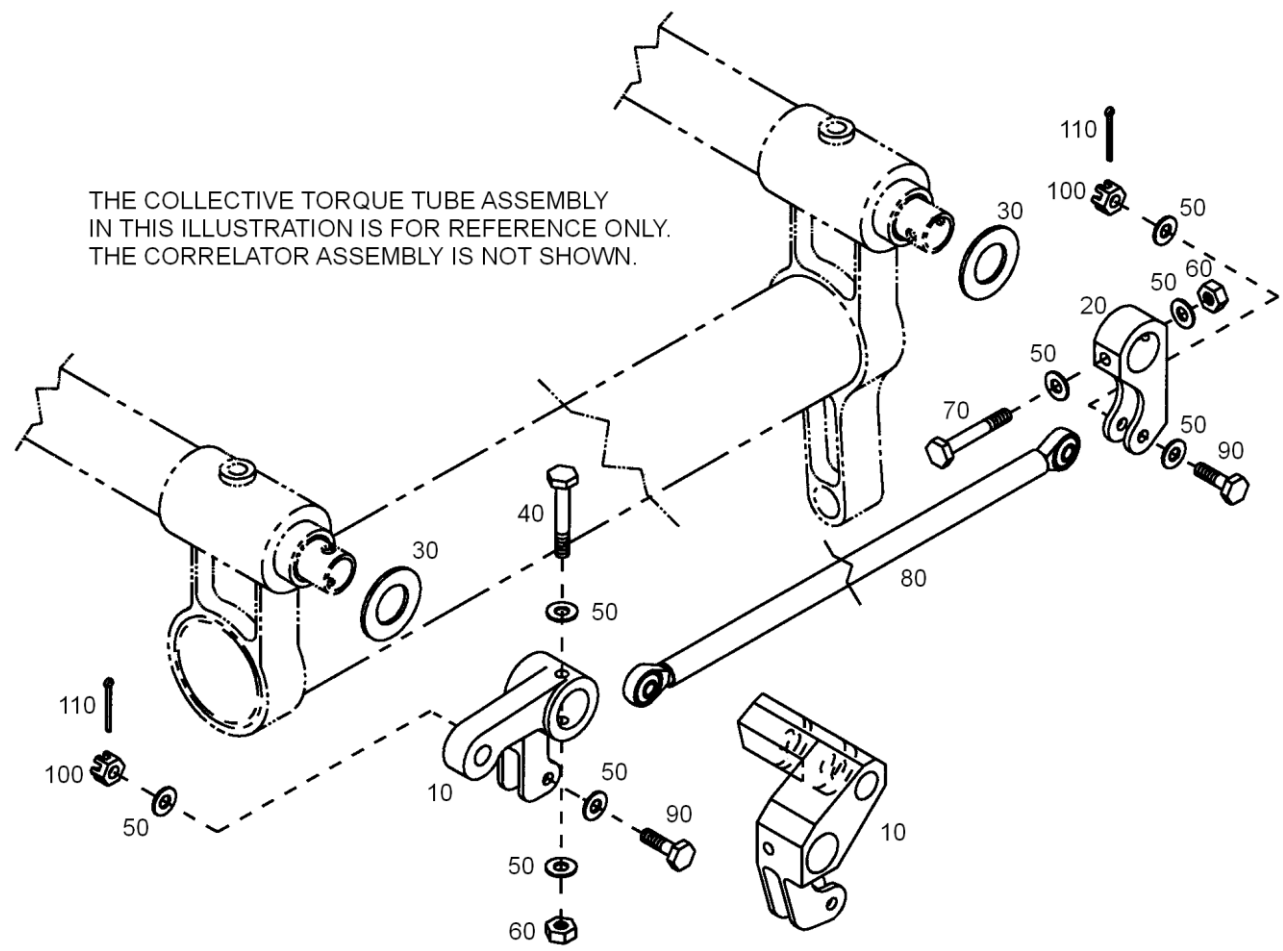


FIGURE 3-13. DUAL THROTTLE CONTROL INSTALLATION (F MODELS)

ENSTROM F-28/280 SERIES ILLUSTRATED PARTS CATALOG

FIGURE 3-13. DUAL THROTTLE CONTROL INSTALLATION (F MODELS)

| ITEM NUMBER | PART NUMBER | DESCRIPTION | QTY PER ASSY | MODELS AFFECTED | | | | | | |
|-------------|----------------|--|--------------|-----------------|-----|-------|------|-------|------|-------|
| | | | | F-28A | 280 | F-28C | 280C | F-28F | 280F | 280FX |
| 10 | 28-16022-11 | . Bellcrank | 1 | | | | | X | X | X |
| 10* | 28-16493-13 | . Bellcrank | 1 | | | | | X | | X |
| 10** | 28-16493-11 | . Bellcrank | 1 | | | | | X | | X |
| 20 | 28-16497-1 | . Bellcrank Lever | 1 | | | | | X | X | X |
| 30≡ | G08DU | . Washer | 2 | | | | | X | X | X |
| 40 | AN3-13A | . Bolt | 1 | | | | | X | X | X |
| 50 | NAS1149F0332P | . Washer | 8 | | | | | X | X | X |
| 50 | AN960-10L | . Washer (Superseded by NAS1149F0332P) | 8 | | | | | X | X | X |
| 60 | MS21083N3 | . Nut | 2 | | | | | X | X | X |
| 60 | AN364-1032A | . Nut (Superseded by MS21083N3) | 2 | | | | | X | X | X |
| 70 | AN3-12A | . Bolt | 1 | | | | | X | X | X |
| 80 | 28-16498-7 | . Tie Rod Assembly | 1 | | | | | X | X | X |
| 80† | 28-16498-101 | . Tie Rod Assembly | 1 | | | | | X | | X |
| 90 | AN3-6 | . Bolt | 2 | | | | | X | X | X |
| 100 | MS17825-3 | . Nut | 2 | | | | | X | X | X |
| 100 | F12-NE-4753-02 | . Nut (Superseded by MS17825-3) | 2 | | | | | X | X | X |
| 110 | MS24665-151 | . Cotter Pin | 2 | | | | | X | X | X |
| 110 | AN381-2-8 | . Cotter Pin (Superseded by MS24665-151) | 2 | | | | | X | X | X |

- * Used on S/N 704 and 706 through 736.
- ** Used on S/N 506, 507, 509 through 703, and 705.
- † Used on S/N 506, 507, 509 through 736.
- ≡ See Appendix A for equivalent part information.

ENSTROM F-28/280 SERIES ILLUSTRATED PARTS CATALOG

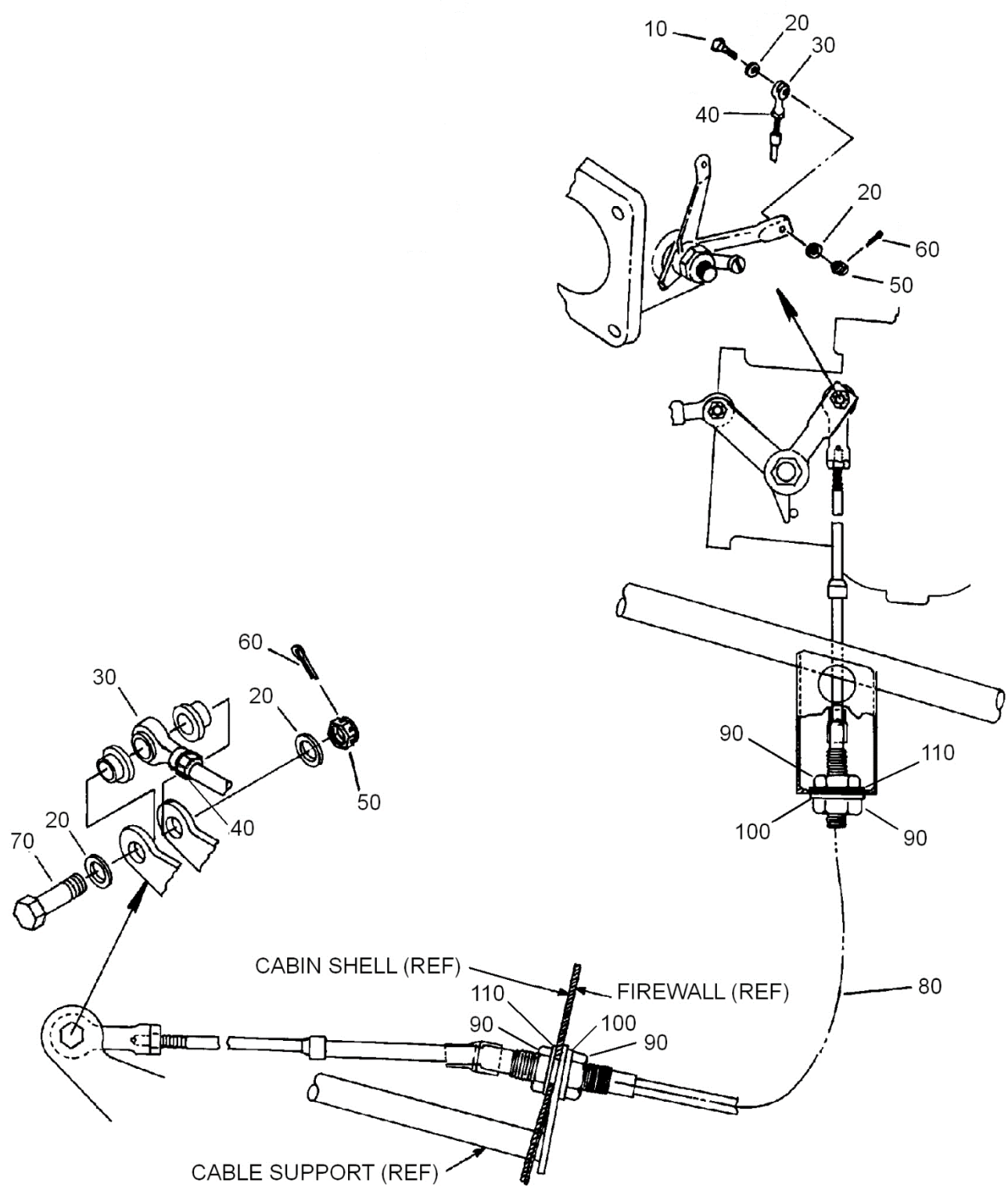


FIGURE 3-14. THROTTLE CABLE INSTALLATION (F MODELS)

ENSTROM F-28/280 SERIES ILLUSTRATED PARTS CATALOG

FIGURE 3-14. THROTTLE CABLE INSTALLATION (F MODELS)

| ITEM NUMBER | PART NUMBER | DESCRIPTION | QTY PER ASSY | MODELS AFFECTED | | | | | | |
|-------------|----------------|--|--------------|-----------------|-----|-------|------|-------|------|-------|
| | | | | F-28A | 280 | F-28C | 280C | F-28F | 280F | 280FX |
| 10 | AN3-7 | . Bolt | 1 | | | | | X | X | X |
| 20 | NAS1149F0332P | . Washer | 4 | | | | | X | X | X |
| 20 | AN960-10L | . Washer (Superseded by NAS1149F0332P) | 4 | | | | | X | X | X |
| —* | 28-164043-11 | . Bushing | A/R | | | | | X | X | X |
| 30° | MW-3TM-29 | . Rod End | 2 | | | | | X | X | X |
| 30≡ | HFVV3M | . Rod End (Superseded by MW-3TM-29) | 2 | | | | | X | X | X |
| 40 | AN315-3R | . Nut | 2 | | | | | X | X | X |
| 40 | AN316-3R | . Nut (Superseded by AN315-3R) | 2 | | | | | X | X | X |
| 50 | F12-NE-4753-02 | . Nut | 2 | | | | | X | X | X |
| 50 | F12-NE-4527-02 | . Nut (Superseded by F12-NE-4753-02) | 2 | | | | | X | X | X |
| 60 | MS24665-151 | . Cotter Pin | 2 | | | | | X | X | X |
| 60 | AN381-2-8 | . Cotter Pin (Superseded by MS24665-151) | 2 | | | | | X | X | X |
| 70 | AN3-13 | . Bolt | 1 | | | | | X | X | X |
| 80 | 65-4527-2229 | . Throttle Control Cable | 1 | | | | | X | X | X |
| 80 | 55-4527-1067 | . Throttle Control Cable (Obsolete) | 1 | | | | | X | X | X |
| 90 | AN316-8R | . . Nut | 4 | | | | | X | X | X |
| 90 | AN316-7R | . . Nut (Superseded by AN316-8R) | 4 | | | | | X | X | X |
| 100 | AN936A716 | . . Lock Washer | 2 | | | | | X | X | X |
| 110 | NAS1149F0732P | . Washer | 2 | | | | | X | X | X |
| 110 | AN960-716L | . Washer (Superseded by NAS1149F0732P) | 2 | | | | | X | X | X |

* Used with bellcranks having a 0.25 inch diameter hole. (Refer to Figure 3-10, Sheet 3).

≡ See Appendix A for equivalent part information.

◦ MW-3TM-29 is the preferred part. HFVV3M may be used as an acceptable alternate.

ENSTROM F-28/280 SERIES ILLUSTRATED PARTS CATALOG

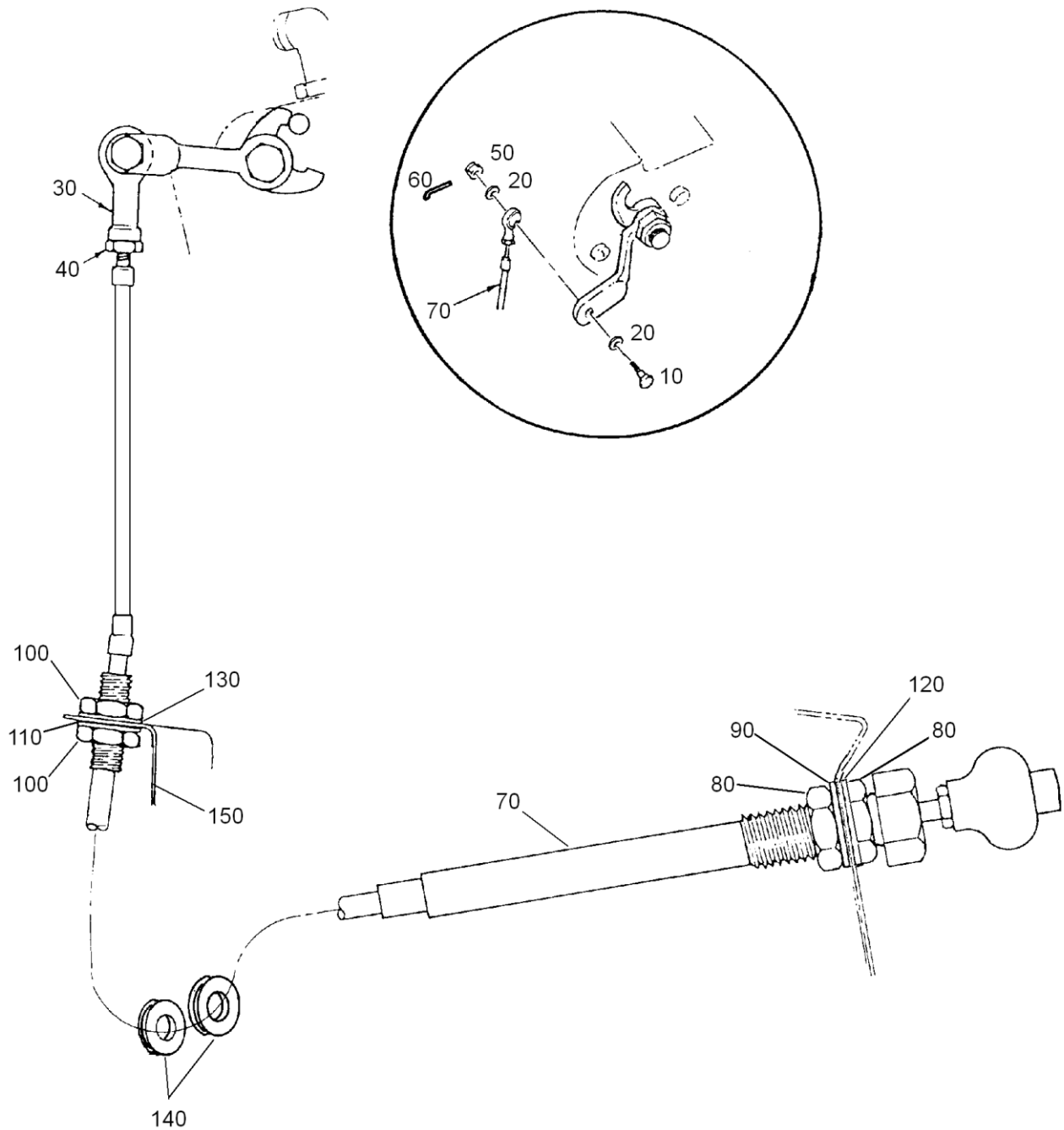


FIGURE 3-15. MIXTURE CABLE INSTALLATION (F MODELS)

ENSTROM F-28/280 SERIES ILLUSTRATED PARTS CATALOG

FIGURE 3-15. MIXTURE CABLE INSTALLATION (F MODELS)

| ITEM NUMBER | PART NUMBER | DESCRIPTION | QTY PER ASSY | MODELS AFFECTED | | | | | | |
|-------------|----------------|--|--------------|-----------------|-----|-------|------|-------|------|-------|
| | | | | F-28A | 280 | F-28C | 280C | F-28F | 280F | 280FX |
| 10 | AN3-7 | . Bolt | 1 | | | | | X | X | X |
| 20 | NAS1149F0332P | . Washer | 2 | | | | | X | X | X |
| 20 | AN960-10L | . Washer (Superseded by NAS1149F0332P) | 2 | | | | | X | X | X |
| —* | 28-164043-11 | . Bushing | A/R | | | | | X | X | X |
| 30≡ | HFVV3M | . Rod End | 1 | | | | | X | X | X |
| 40 | AN315-3R | . Nut | 1 | | | | | X | X | X |
| 40 | AN316-3R | . Nut (Superseded by AN315-3R) | 1 | | | | | X | X | X |
| 50 | MS17825-3 | . Nut | 1 | | | | | X | X | X |
| 50 | F12-NE-4753-02 | . Nut (Superseded by MS17825-3) | 1 | | | | | X | X | X |
| 60 | MS24665-151 | . Cotter Pin | 1 | | | | | X | X | X |
| 60 | AN381-2-8 | . Cotter Pin (Superseded by MS24665-151) | 1 | | | | | X | X | X |
| 70 | 57-3255-2121 | . Mixture Control Cable | 1 | | | | | X | X | X |
| 70** | 28-16490-101 | . Mixture Control Cable | 1 | | | | | X | X | X |
| 80 | AN316-12R | . . Nut | 2 | | | | | X | X | X |
| 90 | MS35333-47 | . . Lock Washer | 1 | | | | | X | X | X |
| 90 | AN936A1216 | . . Lock Washer (Superseded by MS35333-47) | 1 | | | | | X | X | X |
| 100 | AN316-8R | . . Nut | 2 | | | | | X | X | X |
| 100 | AN316-7R | . . Nut (Superseded by AN316-8R) | 2 | | | | | X | X | X |
| 110 | AN936A716 | . . Lock Washer | 1 | | | | | X | X | X |
| 120 | NAS1149F1232P | . Washer | 1 | | | | | X | X | X |
| 120 | AN960-1216L | . Washer (Superseded by NAS1149F1232P) | 1 | | | | | X | X | X |
| 130 | NAS1149F0732P | . Washer | 1 | | | | | X | X | X |
| 130 | AN960-716L | . Washer (Superseded by NAS1149F0732P) | 1 | | | | | X | X | X |
| 140 | MS35489-11 | . Grommet | 2 | | | | | X | X | X |
| 140 | AN931-6-10 | . Grommet (Superseded by MS35489-11) | 2 | | | | | X | X | X |

ENSTROM F-28/280 SERIES ILLUSTRATED PARTS CATALOG

FIGURE 3-15. MIXTURE CABLE INSTALLATION (F MODELS)

| ITEM NUMBER | PART NUMBER | DESCRIPTION | QTY PER ASSY | MODELS AFFECTED | | | | | | |
|-------------|--------------|--|--------------|-----------------|-----|-------|------|-------|------|-------|
| | | | | F-28A | 280 | F-28C | 280C | F-28F | 280F | 280FX |
| 150 | 28-111004-1 | . Bracket, Mixture Control | 1 | | | X | X | | | |
| 150† | 28-111004-17 | . Mixture Control Bracket | 1 | | | | | X | | X |
| 150‡ | 28-111004-15 | . Mixture Bracket (Superseded by 28-111004-17) | 1 | | | | | X | X | X |

* Used with bellcranks with 0.25 inch diameter hole. (Refer to Figure 3-10, Sheet 3).

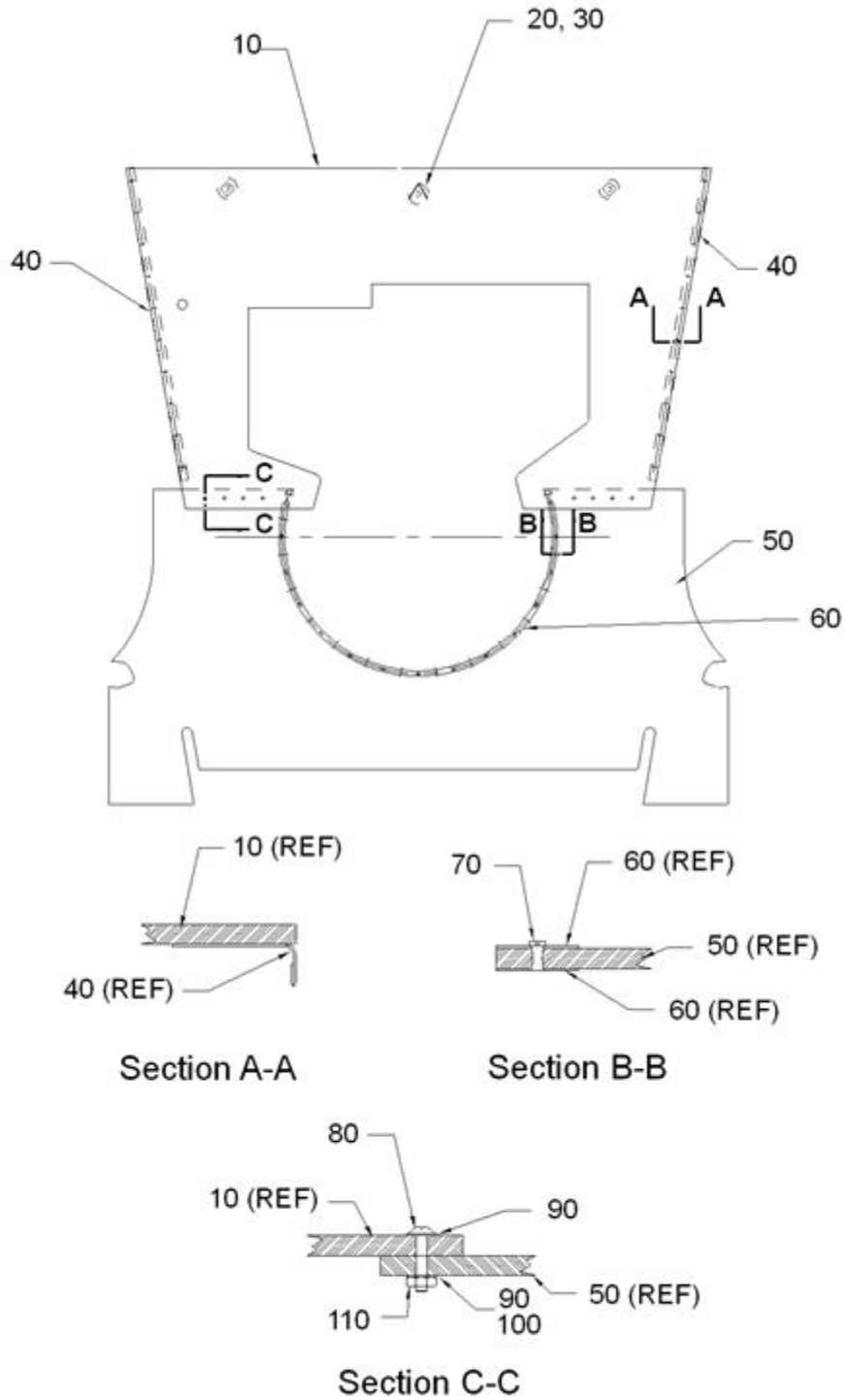
** Required for aircraft certified in the United Kingdom.

≡ See Appendix A for equivalent part information.

‡ Mixture bracket is welded to the pylon for "F" models.

† Effectivity F-28F S/N 832 – subsequent and 280FX S/N 2143 – subsequent. Retrofittable to F-28F S/N 509 – subsequent and 280FX S/N 2001 – subsequent.

ENSTROM F-28/280 SERIES ILLUSTRATED PARTS CATALOG



Firewall Curtain Assembly

FIGURE 3-16. FIRE CURTAIN ASSEMBLY (ALL MODELS)

ENSTROM F-28/280 SERIES ILLUSTRATED PARTS CATALOG

FIGURE 3-16. FIRE CURTAIN ASSEMBLY (ALL MODELS)

| ITEM NUMBER | PART NUMBER | DESCRIPTION | QTY PER ASSY | MODELS AFFECTED | | | | | | |
|-------------|---------------|---|--------------|-----------------|-----|-------|------|-------|------|-------|
| | | | | F-28A | 280 | F-28C | 280C | F-28F | 280F | 280FX |
| - | 28-11501-3 | Firewall Curtain Assembly | REF | X | X | X | X | X | X | X |
| - | 28-11501-1 | Firewall Curtain Assembly (Superseded by 28-11501-3) | REF | X | X | X | X | X | X | X |
| 10 | 28-11501-17 | . Curtain Firewall Top | 1 | X | X | X | X | X | X | X |
| 10 | 28-11501-15 | . Curtain Firewall Top (Superseded by 28-11501-17) | 1 | X | X | X | X | X | X | X |
| 10 | 28-11501-12 | . Curtain Firewall Top (Superseded by 28-11501-15) | 1 | X | X | X | X | X | X | X |
| - | G-89 | . Fabric: Fire Curtain, 0.057" Thick (In square yards) | 2.0 | X | X | X | X | X | X | X |
| 20 | 28-11501-10 | . Patch Support | 1 | X | X | X | X | X | X | X |
| - | G-89 | . Fabric: Fire Curtain, 0.057" Thick (In Square Yards) | 0.004 | X | X | X | X | X | X | X |
| 30 | 732-RTV | . Sealant: Rubber, Clear Silicone | A/R | X | X | X | X | X | X | X |
| 40 | 28-11501-4 | . Strip Mount | 2 | X | X | X | X | X | X | X |
| 50 | 28-11501-901 | . Curtain Firewall Aft | 1 | X | X | X | X | X | X | X |
| - | G-89 | . Fabric: Fire Curtain, 0.057" Thick (In Square Yards) | 2.0 | X | X | X | X | X | X | X |
| 60 | 28-11502-5 | . Ring, Retaining, Firewall | 2 | X | X | X | X | X | X | X |
| 70 | MS20426AD3-4 | . Rivet: Solid, 3/32" X 1/4" | 16 | X | X | X | X | X | X | X |
| 80 | AN526-6R6 | . Screw | 8 | X | X | X | X | X | X | X |
| 90 | NAS1149FN616P | . Washer | 8 | X | X | X | X | X | X | X |
| 90* | AN960-6L | . Washer (Superseded by NAS1149FN616P) | 16 | X | X | X | X | X | X | X |
| 100 | MS35338-41 | . Lock Washer (Used on 28-11501-1) | 8 | X | X | X | X | X | X | X |
| 100 | AN935-6 | . Lock Washer (Superseded by MS35338-41) (Used on 28-11501-1) | 8 | X | X | X | X | X | X | X |
| 110 | AN340-6 | . Nut | 8 | X | X | X | X | X | X | X |

* Quantity is 8 when configured with P/N 28-11501-1.

NOTE: The quantities listed for the attaching hardware may vary depending on aircraft model.

ENSTROM F-28/280 SERIES ILLUSTRATED PARTS CATALOG

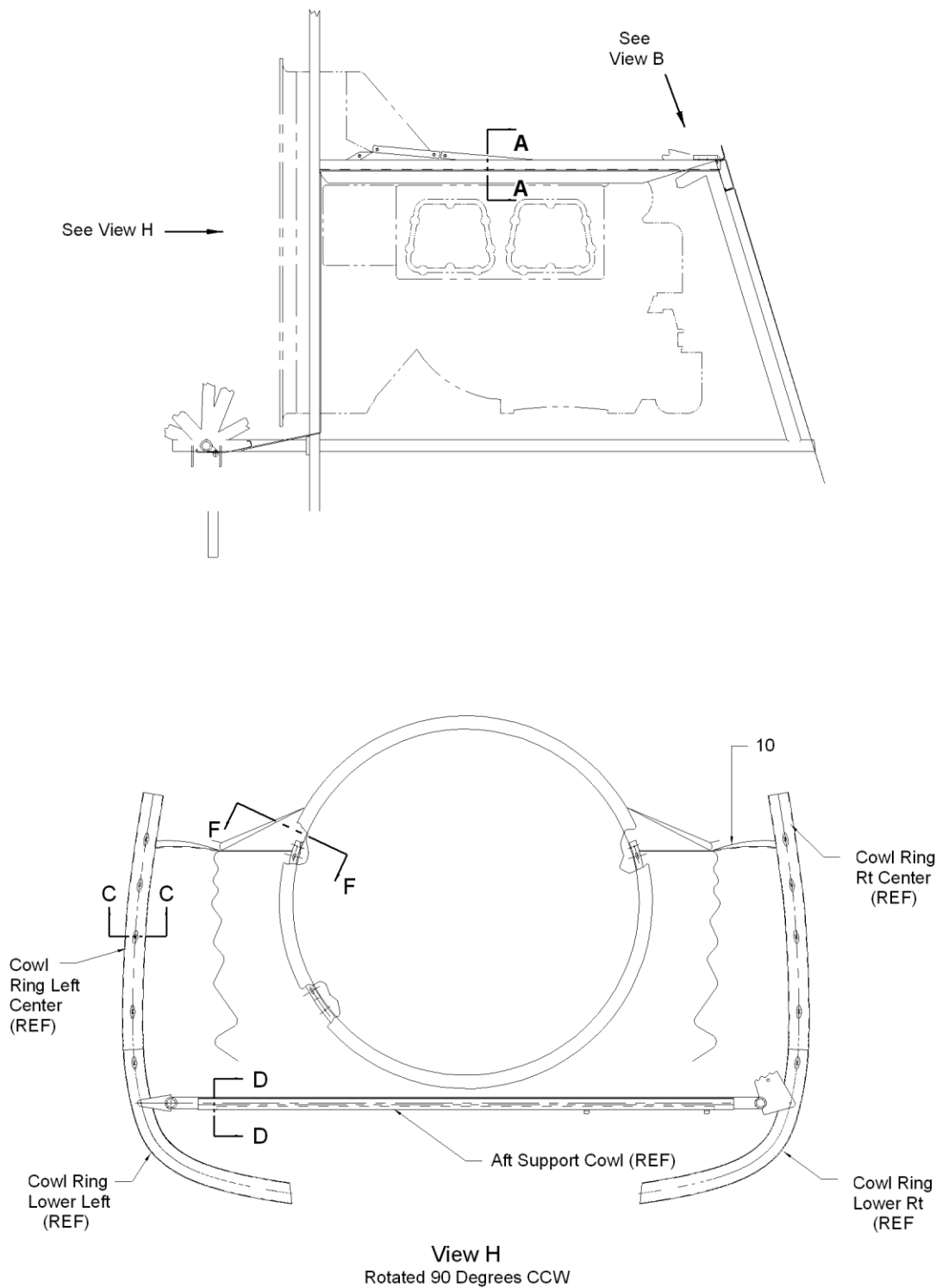


FIGURE 3-17. FIRE CURTAIN INSTALLATION (ALL MODELS)

ENSTROM F-28/280 SERIES ILLUSTRATED PARTS CATALOG

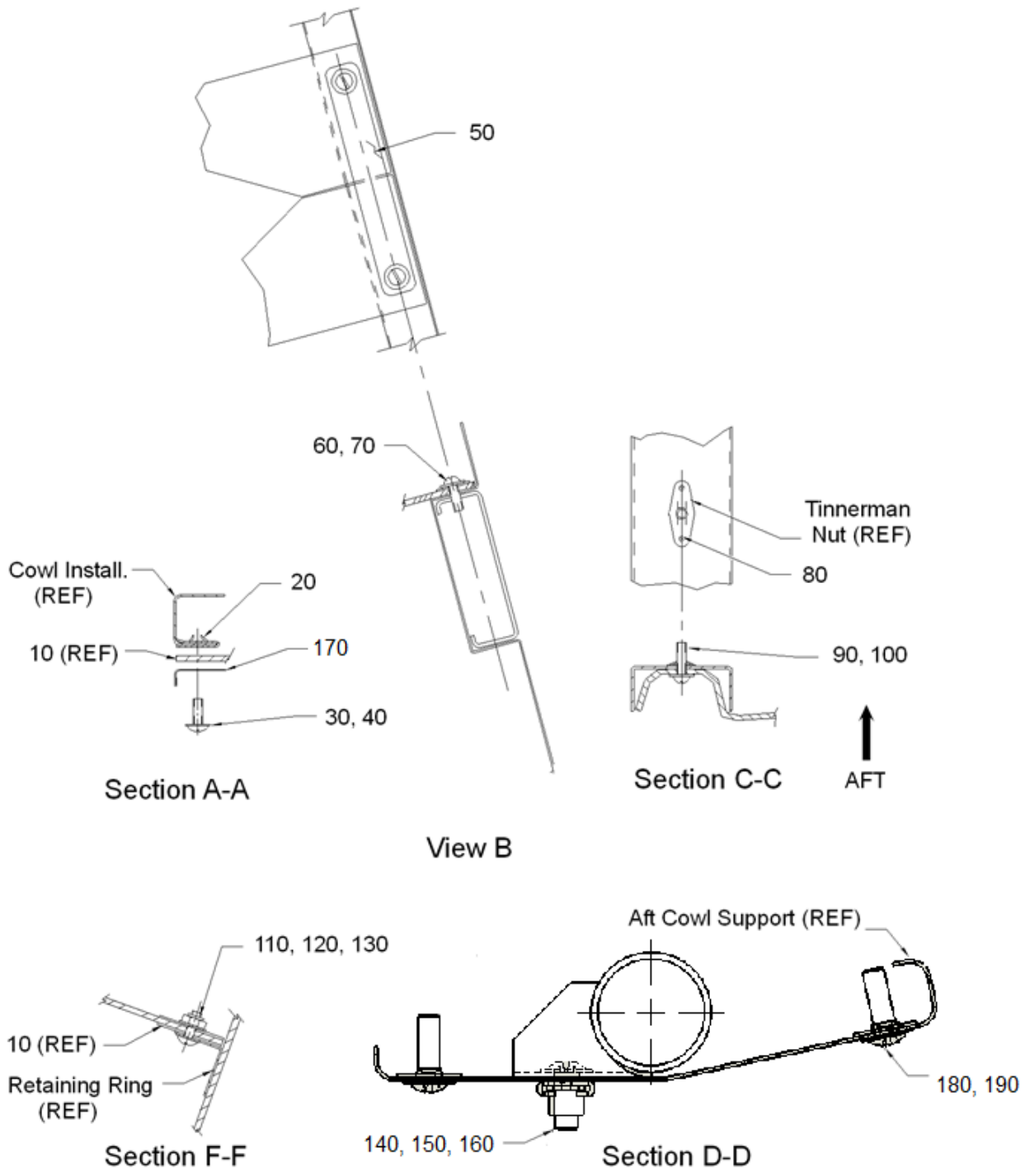


FIGURE 3-17. FIRE CURTAIN INSTALLATION (ALL MODELS)

ENSTROM F-28/280 SERIES ILLUSTRATED PARTS CATALOG

FIGURE 3-17. FIRE CURTAIN INSTALLATION (ALL MODELS)

| ITEM NUMBER | PART NUMBER | DESCRIPTION | QTY PER ASSY | MODELS AFFECTED | | | | | | |
|-------------|---------------|--|--------------|-----------------|-----|-------|------|-------|------|-------|
| | | | | F-28A | 280 | F-28C | 280C | F-28F | 280F | 280FX |
| - | 28-11500-1 | Engine Firewall Installation | REF | X | X | X | X | X | X | X |
| 10 | 28-11501-3 | . Fire Curtain Assembly | 1 | X | X | X | X | X | X | X |
| 20 | A01784-6Z-1D | . Nut, Tinnerman | 20 | X | X | X | X | X | X | X |
| 20 | A1784-6Z-1 | . Nut, Tinnerman (Superseded by A01784-6Z-1D) | 22 | X | X | X | X | X | X | X |
| 30 | MS51861-24 | . Screw | 20 | X | X | X | X | X | X | X |
| 30 | AN530-6R6 | . Screw (Superseded by MS51861-24) | 22 | X | X | X | X | X | X | X |
| 40 | NAS1149FN616P | . Washer | 20 | X | X | X | X | X | X | X |
| 40 | AN960-6L | . Washer (Superseded by NAS1149FN616P) | 22 | X | X | X | X | X | X | X |
| 50 | 28-11500-5 | . Strap Firewall | 1 | X | X | X | X | X | X | X |
| 60 | MS51861-24 | . Screw | 10 | X | X | X | X | X | X | X |
| 60 | AN530-6R6 | . Screw (Superseded by MS51861-24) | 2 | X | X | X | X | X | X | X |
| 70 | NAS1149FN616P | . Lock Washer | 2 | X | X | X | X | X | X | X |
| 70 | AN936-A6 | . Lock Washer (Superseded by NAS1149FN616P) | 2 | X | X | X | X | X | X | X |
| 80 | MS20426AD3-3 | . Rivet | 10 | X | X | X | X | X | X | X |
| 90 | 8X1/2 | . Screw | 10 | X | X | X | X | X | X | X |
| 100 | NAS1149FN616P | . Washer | 10 | X | X | X | X | X | X | X |
| 100 | AN960-6L | . Washer (Superseded by NAS1149FN616P) | 10 | X | X | X | X | X | X | X |
| 110 | AN515-6R7 | . Screw, Machine (RH), 6-32 X 0.438" | 15 | X | X | X | X | X | X | X |
| 120 | NAS1149FN616P | . Washer | 30 | X | X | X | X | X | X | X |
| 120 | AN960-6L | . Washer (Superseded by NAS1149FN616P) | 15 | X | X | X | X | X | X | X |
| 130 | MS21044N06 | . Nut Hex, Self Locking | 15 | X | X | X | X | X | X | X |
| 130 | AN365-632A | . Nut Hex, Self Locking (Superseded by MS21044N06) | 15 | X | X | X | X | X | X | X |
| 140 | MS35206-244 | . Screw, Machine | 3 | X | X | X | X | X | X | X |

ENSTROM F-28/280 SERIES ILLUSTRATED PARTS CATALOG

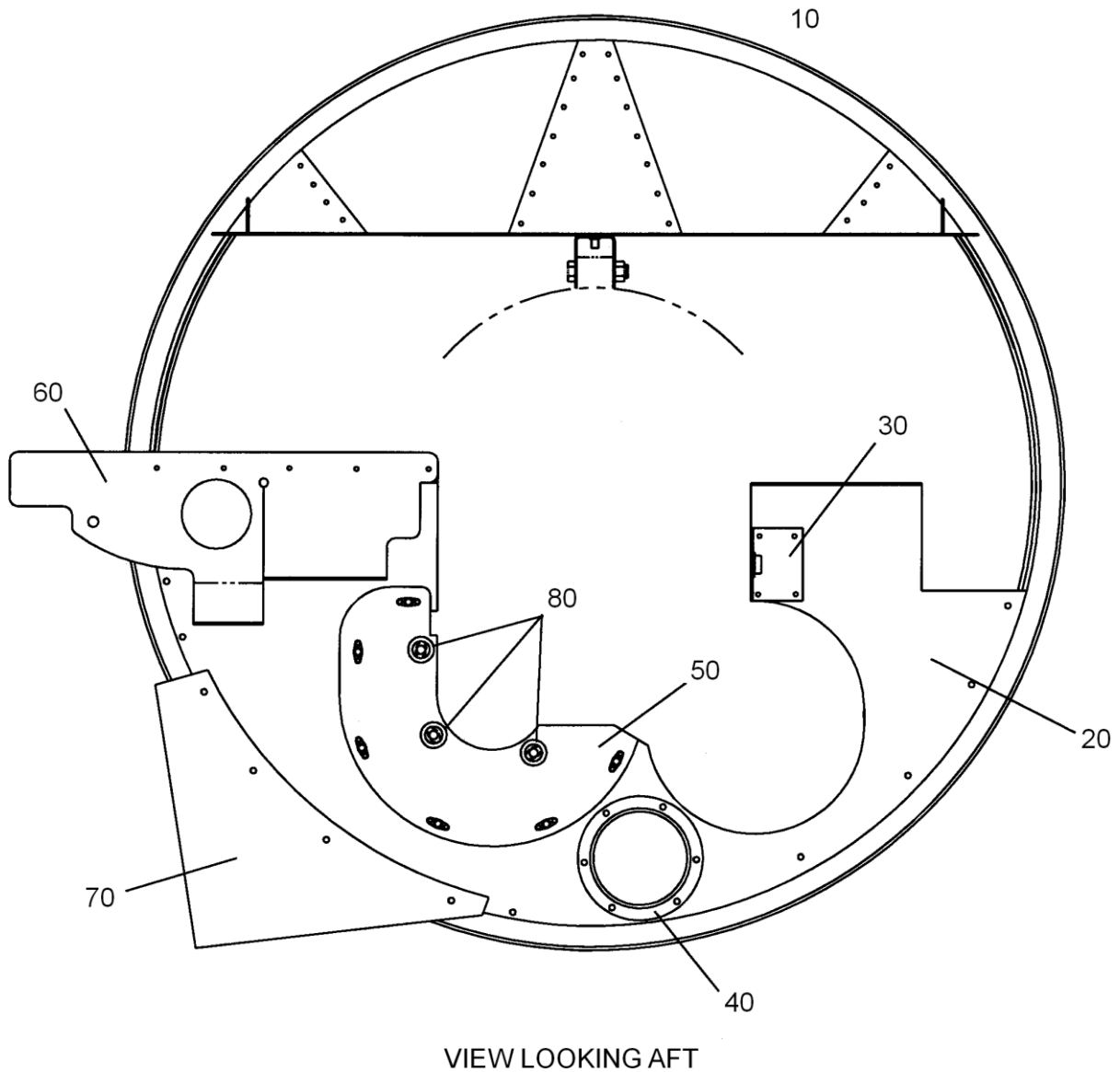
FIGURE 3-17. FIRE CURTAIN INSTALLATION (ALL MODELS)

| ITEM NUMBER | PART NUMBER | DESCRIPTION | QTY PER ASSY | MODELS AFFECTED | | | | | | |
|-------------|---------------|--|--------------|-----------------|-----|-------|------|-------|------|-------|
| | | | | F-28A | 280 | F-28C | 280C | F-28F | 280F | 280FX |
| 140 | AN515-8R7 | . Screw, Machine (Superseded by MS35206-244) | 3 | X | X | X | X | X | X | X |
| 150 | NAS1149FN816P | . Washer: Flat | 3 | X | X | X | X | X | X | X |
| 150 | AN960-8L | . Washer: Flat (Superseded by NAS1149FN816P) | 3 | X | X | X | X | X | X | X |
| 160 | AN530-8R8 | . Screw: Tapping (RH), 8-18 X 0.500" | 3 | X | X | X | X | X | X | X |
| 170 | 28-11501-4 | . Mount Strip | 2 | X | X | X | X | X | X | X |
| 180 | AN530-8R8 | . Screw | 9 | X | X | X | X | X | X | X |
| 190 | NAS1149FN816P | . Washer | 9 | X | X | X | X | X | X | X |

NOTE: The quantities listed for the attaching hardware may vary depending on aircraft model.

ENSTROM F-28/280 SERIES ILLUSTRATED PARTS CATALOG

REFER TO FIGURE 3-19 FOR THE ATTACHING HARDWARE
AND COMMON PARTS FOR THE FAN SHROUD INSTALLATION.

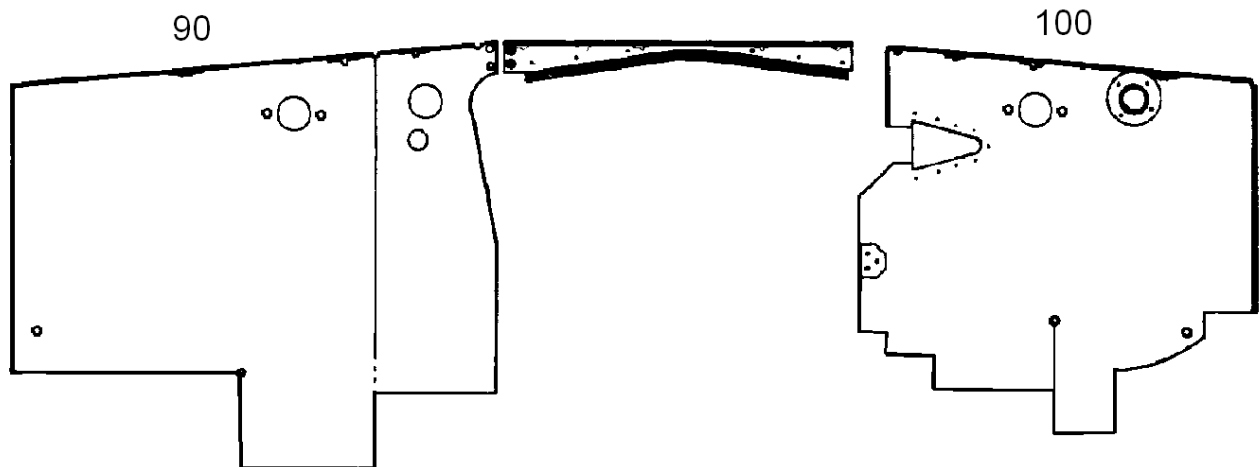


Sheet 1 of 2

FIGURE 3-18. ENGINE FAN SHROUD ASSEMBLY (A MODELS)

ENSTROM F-28/280 SERIES ILLUSTRATED PARTS CATALOG

REFER TO FIGURE 3-19 FOR THE ATTACHING HARDWARE
AND COMMON PARTS FOR THE FAN SHROUD INSTALLATION.



VIEW LOOKING AFT

Sheet 2 of 2

FIGURE 3-18. ENGINE FAN SHROUD ASSEMBLY (A MODELS)

ENSTROM F-28/280 SERIES ILLUSTRATED PARTS CATALOG

FIGURE 3-18. ENGINE FAN SHROUD ASSEMBLY (A MODELS)

| ITEM NUMBER | PART NUMBER | DESCRIPTION | QTY PER ASSY | MODELS AFFECTED | | | | | | |
|-------------|---------------|---|--------------|-----------------|-----|-------|------|-------|------|-------|
| | | | | F-28A | 280 | F-28C | 280C | F-28F | 280F | 280FX |
| 10 | 28-12613-1 | . Fan Shroud Assembly (Obsolete) | 1 | X | X | | | | | |
| 20 | 28-12611-1 | . . Fan Shroud Baffle Assembly (Obsolete) | 1 | X | X | | | | | |
| 30 | 28-12611-5 | . . . Anchor Bracket | 1 | X | X | | | | | |
| 40 | 28-12305-1 | . . . Stub (Obsolete) | 1 | X | X | | | | | |
| 50 | 28-12611-8 | . . . Doubler (Obsolete) | 1 | X | X | | | | | |
| - | NAS1023D08K | . . . Nut Plate | 6 | X | X | | | | | |
| - | NAJ1-82BC | . . . Nut Plate (Superseded by NAS1023D08K) | 6 | X | X | | | | | |
| - | MS20426AD3-4 | . . . Rivet | 12 | X | X | | | | | |
| 60 | 28-12611-4 | . . . Baffle (Obsolete) | 1 | X | X | | | | | |
| 70 | 28-12612-1 | . . Oil Cooler Duct Assembly (Obsolete) | 1 | X | X | | | | | |
| - | NAS1023D08K | . . . Nut Plate | 7 | X | X | | | | | |
| - | NAJ1-82BC | . . . Nut Plate (Superseded by NAS1023D08K) | 7 | X | X | | | | | |
| - | MS20426AD3-4 | . . . Rivet | 14 | X | X | | | | | |
| 80 | 28-12600-4 | . Spacer (Starter) | 3 | X | X | | | | | |
| 90 | 28-12609-3 | . Baffle Assembly, R/H | 1 | X | X | | | | | |
| - | MS20426AD3-4 | . . Rivet: Solid, 3/32" X 0.250" | 2 | X | X | | | | | |
| - | MS20470AD3-4 | . . Rivet, Solid, 3/32" X 0.250" | 4 | X | X | | | | | |
| - | MS21069-06 | . . Nut Plate | 1 | X | X | | | | | |
| - | MS21071-06 | . . Nut Plate | 1 | X | X | | | | | |
| - | NAS1097AD3-3 | . . Rivet | 4 | X | X | | | | | |
| - | 280-127505-17 | . . Stub Heat Duct | 1 | X | X | | | | | |
| - | 82-35-302-15 | . . Receptacle, Spring, Leaf #82 | 1 | X | X | | | | | |
| 90 | 28-12609-1 | . Baffle Assembly, R/H (Superseded by 28-12609-3) | 1 | X | X | | | | | |
| - | 82-35-302-15 | . . Receptacle | 1 | X | X | | | | | |
| - | MS21071-06 | . . Nut Plate | 1 | X | X | | | | | |

ENSTROM F-28/280 SERIES ILLUSTRATED PARTS CATALOG

FIGURE 3-18. ENGINE FAN SHROUD ASSEMBLY (A MODELS)

| ITEM NUMBER | PART NUMBER | DESCRIPTION | QTY PER ASSY | MODELS AFFECTED | | | | | | |
|-------------|--------------|--|--------------|-----------------|-----|-------|------|-------|------|-------|
| | | | | F-28A | 280 | F-28C | 280C | F-28F | 280F | 280FX |
| - | 12LHTA17-M62 | . . Nut Plate (Superseded by MS21071-06) | 1 | X | X | | | | | |
| - | 12LHTA1-M62 | . . Nut Plate | 1 | X | X | | | | | |
| - | MS20426AD3-4 | . . Rivet | 6 | X | X | | | | | |
| 100 | 28-12608-1 | . Plate Baffle Assembly | 1 | X | X | | | | | |
| - | 28-12608-3 | . . Plate Baffle | 1 | X | X | | | | | |
| - | 28-12608-4 | . . Tab Support | 1 | X | X | | | | | |
| - | 28-12621-1 | . . Bracket Cover | 1 | X | X | | | | | |
| - | 82-35-302-15 | . . Receptacle, Spring, Leaf #82 | 1 | X | X | | | | | |

NOTE: Refer to Figure 3-20 for the attaching hardware and common parts for the fan shroud.

ENSTROM F-28/280 SERIES ILLUSTRATED PARTS CATALOG

REFER TO FIGURE 3-19 FOR THE ATTACHING HARDWARE
AND COMMON PARTS FOR THE FAN SHROUD INSTALLATION

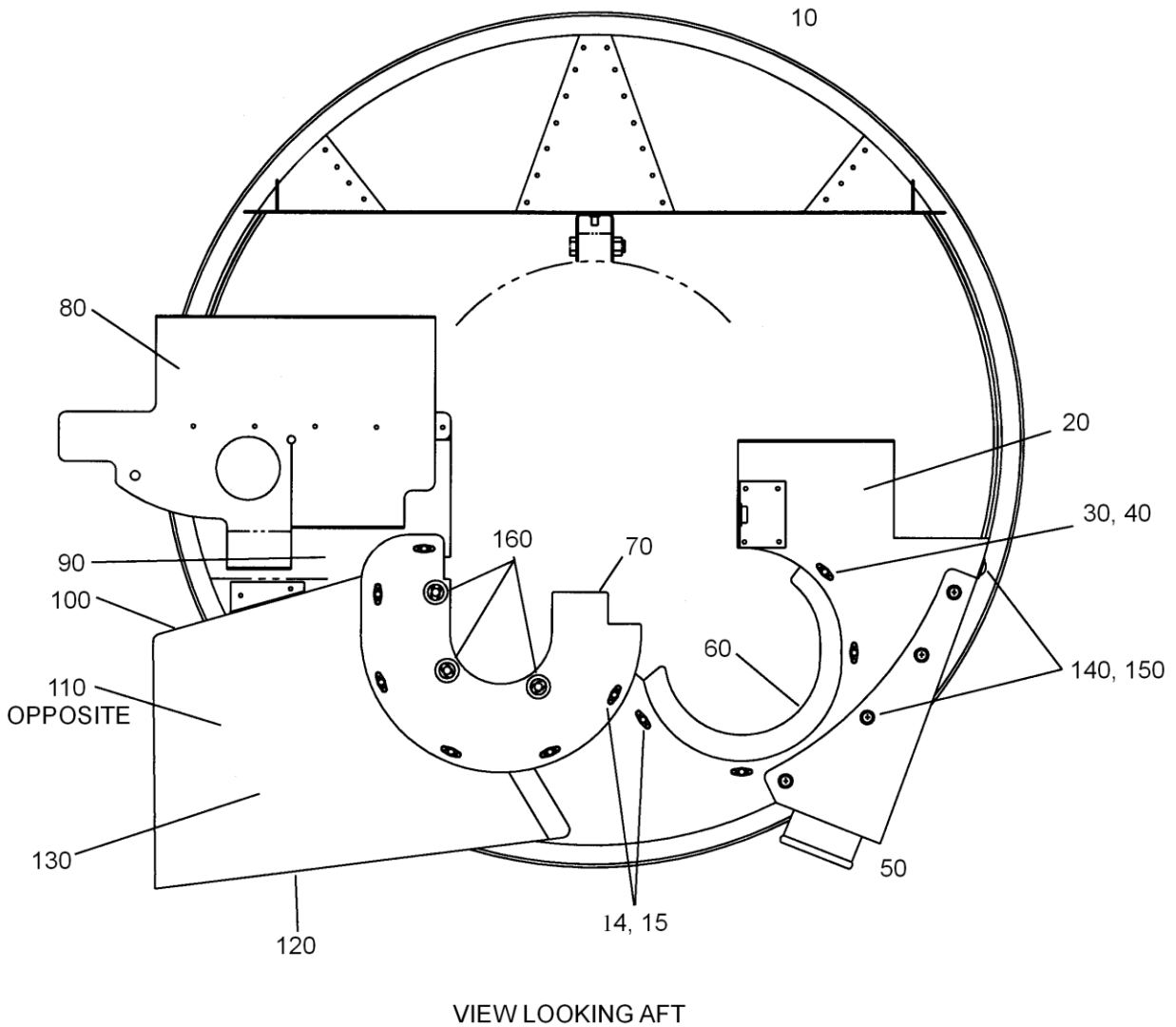


FIGURE 3-19. ENGINE FAN SHROUD ASSEMBLY (C MODELS)

ENSTROM F-28/280 SERIES ILLUSTRATED PARTS CATALOG

FIGURE 3-19. ENGINE FAN SHROUD ASSEMBLY (C MODELS)

| ITEM NUMBER | PART NUMBER | DESCRIPTION | QTY PER ASSY | MODELS AFFECTED | | | | | | |
|-------------|---------------|--|--------------|-----------------|-----|-------|------|-------|------|-------|
| | | | | F-28A | 280 | F-28C | 280C | F-28F | 280F | 280FX |
| 10 | 28-126004-1 | . Fan Shroud Assembly | 1 | | | X | X | | | |
| 20 | 28-126006-1 | . . Fan Shroud Baffle Assembly | 1 | | | X | X | | | |
| - | AN426A3-3 | . . . Rivet, Solid, 3/32" X 3/16" | 8 | | | X | X | | | |
| - | MS21078-08 | . . . Nut Plate, 2-Lug, 8-32 | 3 | | | X | X | | | |
| - | MS21080-08 | . . . Nut Plate 1-Lug 8-32 | 1 | | | X | X | | | |
| - | 28-126004-11 | . . . Bracket Lower | 1 | | | X | X | | | |
| - | 28-12611-5 | . . . Bracket Anchor | 1 | | | X | X | | | |
| 30 | MS21078-08K | . . . Nut Plate | 8 | | | X | X | | | |
| 30 | NAJ1-82BC | . . . Nut Plate (Superseded by MS21078-08K) | 8 | | | X | X | | | |
| 40 | MS20426AD3-4 | . . . Rivet | 16 | | | X | X | | | |
| 50 | 28-126005-1 | . . Duct Assembly | 1 | | | X | X | | | |
| - | MS20426A3-4 | . . . Rivet, Solid, 3/32" X 1/4" | 12 | | | X | X | | | |
| - | MS20470A3-4 | . . . Rivet, Solid, 3/32" X 0.250" | 6 | | | X | X | | | |
| - | MS21078-08 | . . . Nut Plate, 2-Lug, 8-32 | 3 | | | X | X | | | |
| - | MS21080-08K | . . . Nut Plate: 1-Lug, 8-32 Countersunk | 3 | | | X | X | | | |
| - | MS35206-244 | . . . Screw, Machine (RH), 8-32 X 0.438" | 6 | | | X | X | | | |
| 60 | 28-12649-1 | . . Alternator Shroud Assembly (Obsolete) | 1 | | | X | X | | | |
| 70 | 28-12648-1 | . . Starter Shroud Assembly (Obsolete) | 1 | | | X | X | | | |
| 80 | 280-126001-51 | . . Vane Assembly | 1 | | | X | X | | | |
| 90 | 280-126001-33 | . . Fan Shroud Baffle Assembly (Obsolete) | 1 | | | X | X | | | |
| 100 | 280-126001-41 | . . Upper Wall, Oil Cooler Duct (Obsolete) | 1 | | | X | X | | | |
| 110 | 280-126001-35 | . . Forward Wall, Oil Cooler Duct (Obsolete) | 1 | | | X | X | | | |
| 120 | 280-126001-39 | . . Lower Wall, Oil Cooler Duct (Obsolete) | 1 | | | X | X | | | |

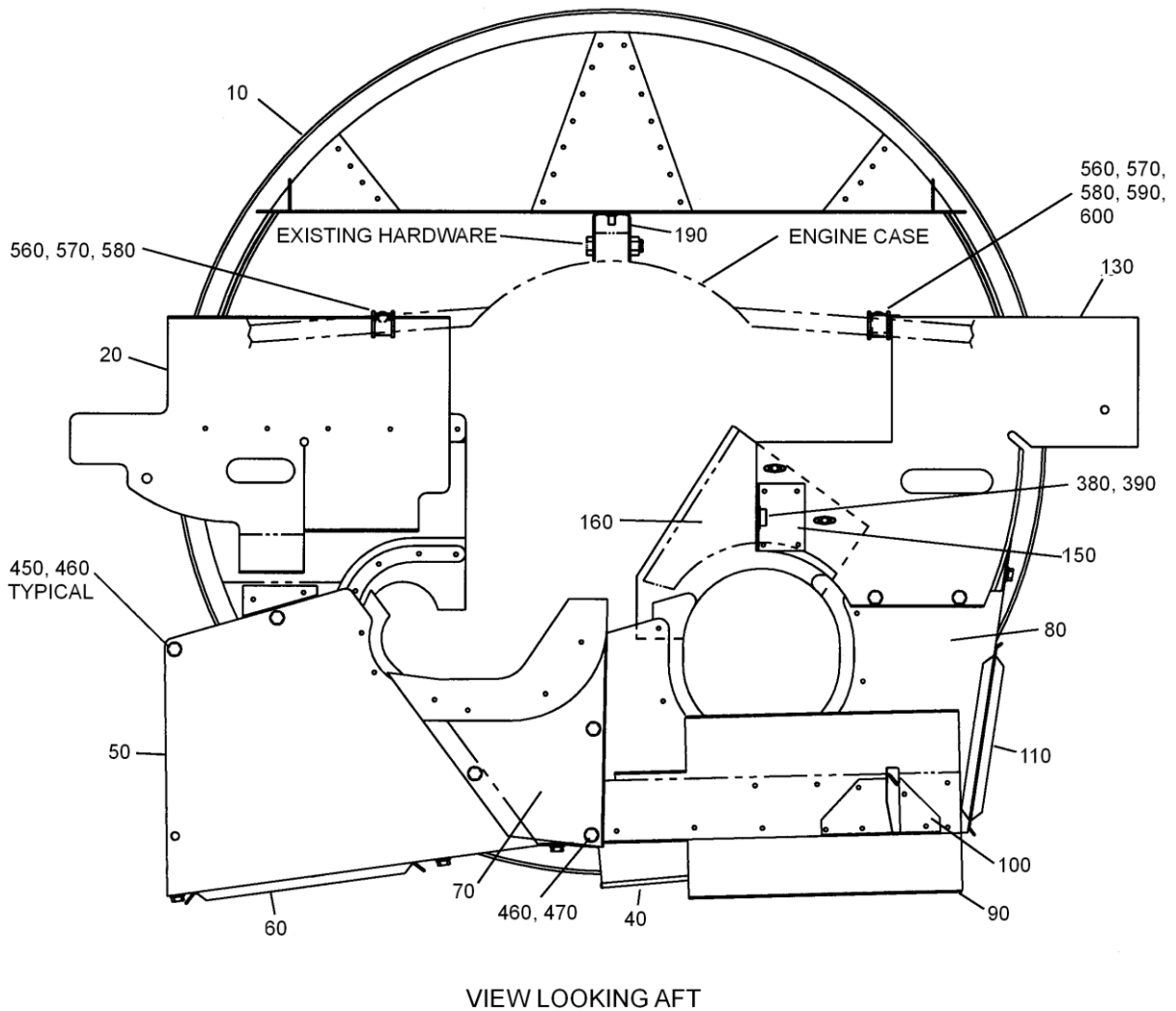
ENSTROM F-28/280 SERIES ILLUSTRATED PARTS CATALOG

FIGURE 3-19. ENGINE FAN SHROUD ASSEMBLY (C MODELS)

| ITEM NUMBER | PART NUMBER | DESCRIPTION | QTY PER ASSY | MODELS AFFECTED | | | | | | |
|-------------|---------------|---|--------------|-----------------|-----|-------|------|-------|------|-------|
| | | | | F-28A | 280 | F-28C | 280C | F-28F | 280F | 280FX |
| 130 | 280-126001-37 | . . Aft Wall, Oil Cooler Duct (Obsolete) | 1 | | | X | X | | | |
| - | MS21078-08K | . . Nut Plate | 2 | | | X | X | | | |
| - | NAJ17-82BC | . . Nut Plate (Superseded by MS21078-08K) | 2 | | | X | X | | | |
| - | MS20426AD3-4 | . . Rivet | 4 | | | X | X | | | |
| 140 | MS35206-245 | . . Screw | 16 | | | X | X | | | |
| 140 | AN515-8R8 | . . Screw (Superseded by MS35206-245) | 16 | | | X | X | | | |
| 150 | AN960-8L | . . Washer | 16 | | | X | X | | | |
| 160 | 28-12600-4 | . Spacer (Starter) | 3 | | | X | X | | | |

NOTE: Refer to Figure 3-20 for the attaching hardware and common parts for the fan shroud installation.

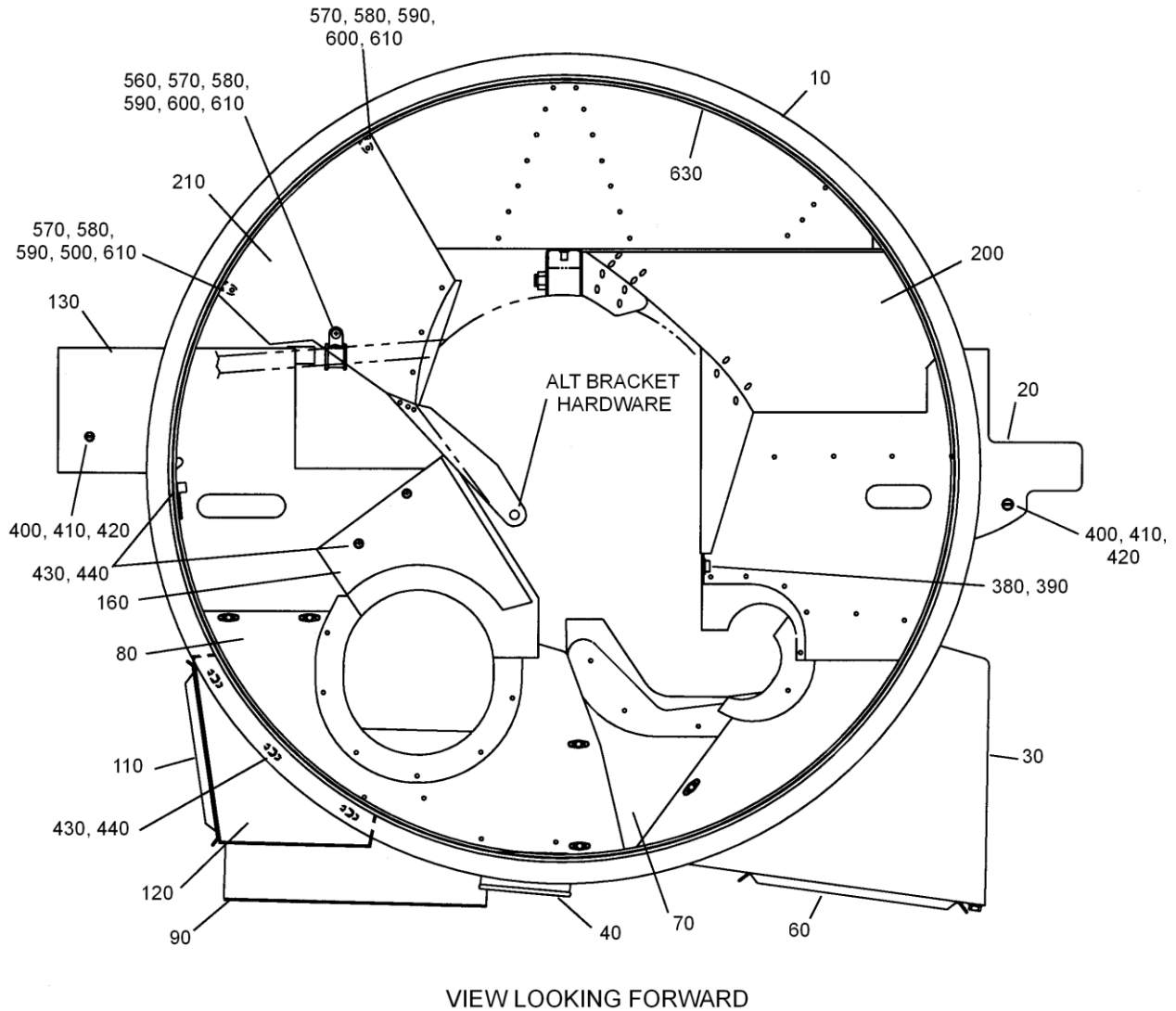
ENSTROM F-28/280 SERIES ILLUSTRATED PARTS CATALOG



Sheet 1 of 4

FIGURE 3-20/A/B. ENGINE FAN SHROUD ASSEMBLY (C, F MODELS)

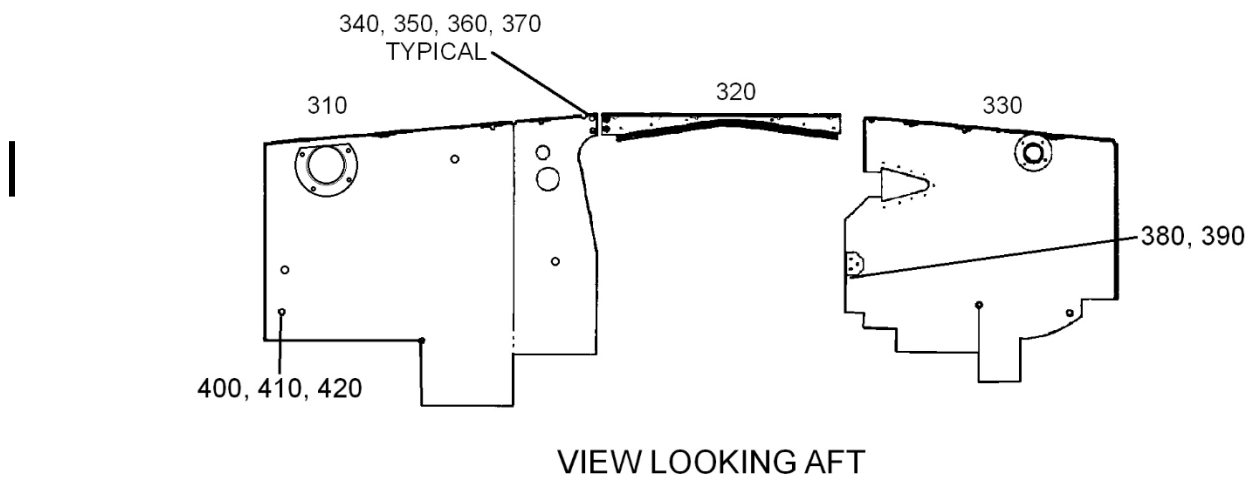
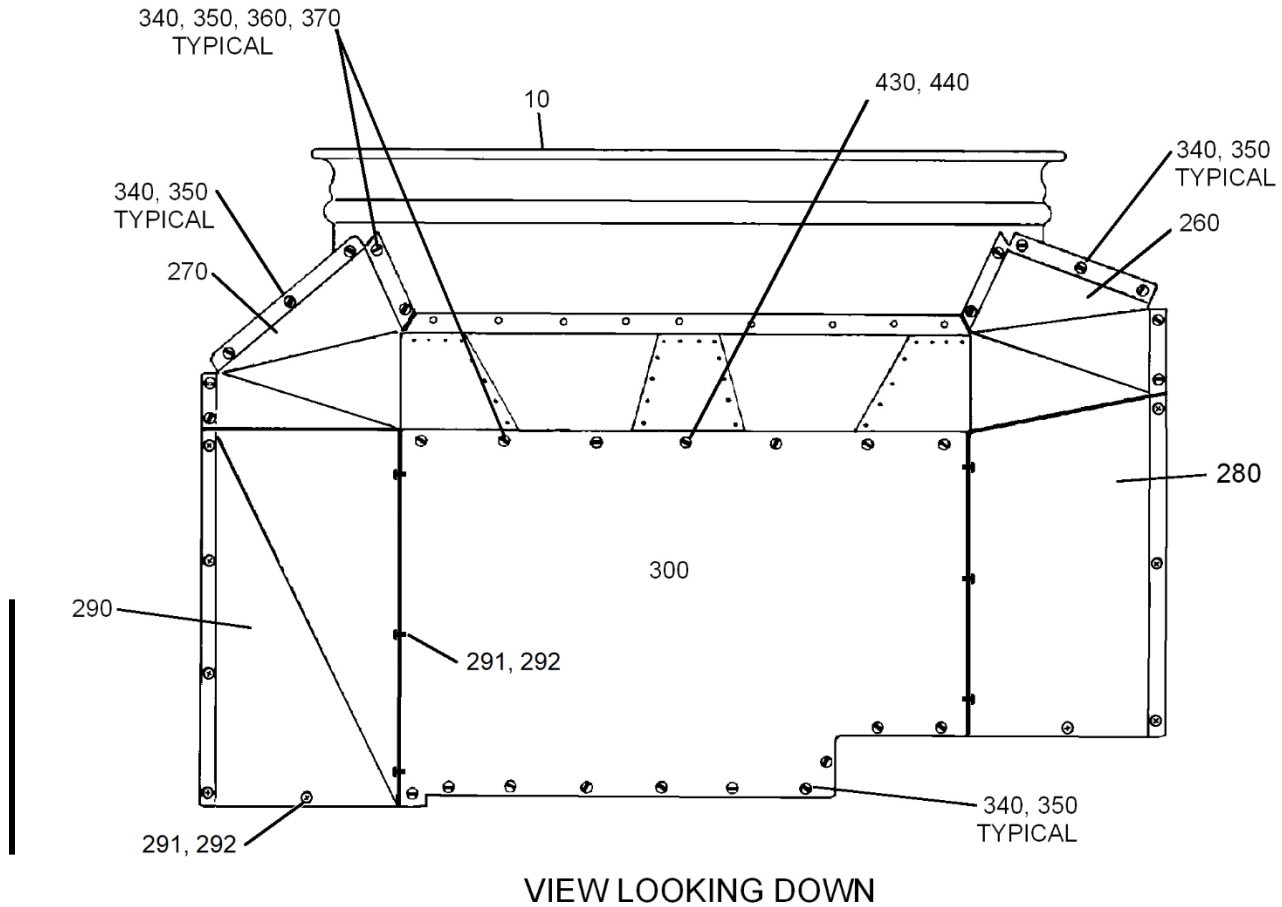
ENSTROM F-28/280 SERIES ILLUSTRATED PARTS CATALOG



Sheet 2 of 4

FIGURE 3-20/A/B. ENGINE FAN SHROUD ASSEMBLY (C, F MODELS)

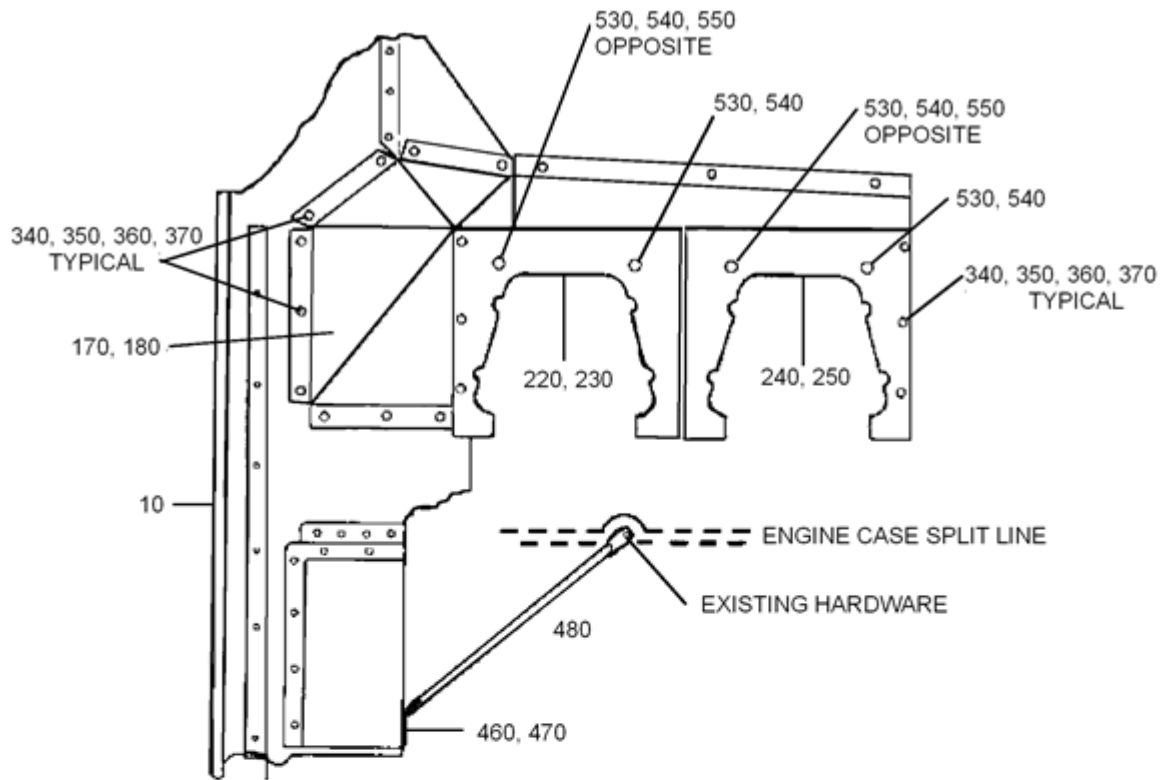
ENSTROM F-28/280 SERIES ILLUSTRATED PARTS CATALOG



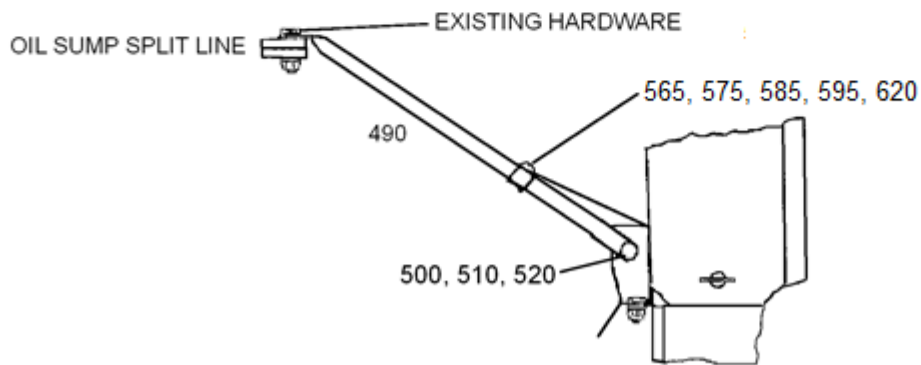
Sheet 3 of 4

FIGURE 3-20/A/B. ENGINE FAN SHROUD ASSEMBLY (C, F MODELS)

ENSTROM F-28/280 SERIES ILLUSTRATED PARTS CATALOG



VIEW LOOKING FROM RIGHT SIDE



VIEW LOOKING FROM LEFT SIDE

Sheet 4 of 4

FIGURE 3-20/A/B. ENGINE FAN SHROUD ASSEMBLY (C, F MODELS)

ENSTROM F-28/280 SERIES ILLUSTRATED PARTS CATALOG

FIGURE 3-20. ENGINE FAN SHROUD ASSEMBLY
F-28F S/N 826 and 280FX S/N 2135 and Subsequent

| ITEM NUMBER | PART NUMBER | DESCRIPTION | QTY PER ASSY | MODELS AFFECTED | | | | | | |
|-------------|----------------|--|--------------|-----------------|-----|-------|------|-------|------|-------|
| | | | | F-28A | 280 | F-28C | 280C | F-28F | 280F | 280FX |
| - | 28-12676-901 | . Fan Shroud Assembly | 1 | | | | | X | | X |
| 10 | 28-12610-3 | . . Shroud: Fan, Engine Cooling | 1 | | | | | X | | X |
| - | 28-12610-3A | . . . Shroud: Fan, Engine Cooling | 1 | | | | | X | | X |
| 20 | 280-126001-908 | . . Vane Assembly | 1 | | | | | X | | X |
| - | MS20426A3-4 | . . . Rivet: Solid, 3/32" X 1/4" | 5 | | | | | X | | X |
| - | MS20470A3-4 | . . . Rivet: Solid, 3/32" X 0.250" | 2 | | | | | X | | X |
| - | NAS1149FN316P | . . . Washer: Flat, #3 (0.016") Light | 1 | | | | | X | | X |
| - | 280-126001-34 | . . . Baffle Fan Shroud | 1 | | | | | X | | X |
| - | 280-126001-51 | . . . Vane | 1 | | | | | X | | X |
| - | NAS1068A08 | . . . Nut Plate, 2-Lug, 8-32 Floating | 1 | | | | | X | | X |
| - | MS20426AD3-3 | . . . Rivet: Solid, 3/32" X 3/16" | 2 | | | | | X | | X |
| 30 | 28-12656-3 | . . Duct Assembly Oil Cooler | 1 | | | | | X | | X |
| - | MS21078-3 | . . . Nut Plate, 2-Lug, 10-32 | 7 | | | | | X | | X |
| - | MS21080-3 | . . . Nut Plate | 2 | | | | | X | | X |
| - | MS20426AD3-4 | . . . Rivet: Solid, 3/32" X 1/4" | 18 | | | | | X | | X |
| -** | 28-12652-5 | . . . Aft Wall Baffle Duct Assembly | 1 | | | | | X | | X |
| - | 28-12652-13 | . . . Aft Wall Baffle Duct Assembly | 1 | | | | | X | | X |
| -** | 28-12653-5 | . . . Baffle Oil Cooling Duct | 1 | | | | | X | | X |
| - | 28-12653-13 | . . . Baffle Oil Cooling Duct | 1 | | | | | X | | X |
| 40 | 28-12149-1 | . . Stub, Fan Shroud | 1 | | | | | X | | X |
| - | MS20426AD3-4 | . . . Rivet: Solid: 3/32" X 1/4" | 4 | | | | | X | | X |
| 50 | 28-12655-5 | . . Forward Duct Oil Cooler Wall | 1 | | | | | X | | X |
| - | MS21078-3 | . . . Nut Plate, 2-Lug, 10-32 | 3 | | | | | X | | X |
| - | MS20426AD3-4 | . . . Rivet: Solid 3/32" X 1/4" | 6 | | | | | X | | X |
| - | MS20426A3-4 | . . . Rivet: Solid 3/32" X 1/4" | 4 | | | | | X | | X |
| - | 28-12650-1 | . . . Forward Wall Fan Shroud Assembly | 1 | | | | | X | | X |
| - | 28-12651-13 | . . . Surface Lower Oil Cooler Duct | 1 | | | | | X | | X |
| 60 | 28-12662-1 | . . . Cover Oil Cooler Duct | 1 | | | | | X | | X |

ENSTROM F-28/280 SERIES ILLUSTRATED PARTS CATALOG

FIGURE 3-20. ENGINE FAN SHROUD ASSEMBLY
F-28F S/N 826 and 280FX S/N 2135 and Subsequent

| ITEM NUMBER | PART NUMBER | DESCRIPTION | QTY PER ASSY | MODELS AFFECTED | | | | | | |
|-------------|---------------|--|--------------|-----------------|-----|-------|------|-------|------|-------|
| | | | | F-28A | 280 | F-28C | 280C | F-28F | 280F | 280FX |
| - | AJW4-30 | . . . Stud, Wing-Head, 0.200" X 0.30 | 2 | | | | | X | | X |
| - | GA4-250 | . . . Retainer, Stud, 5/16" | 2 | | | | | X | | X |
| 70 | 28-12688-5 | . . Starter Shroud Assembly | 1 | | | | | X | | X |
| - | MS20470A3-4 | . . . Rivet: Solid, 3/32" X 0.250" | 4 | | | | | X | | X |
| - | NAS1149FN316P | . . . Washer: Flat, #3 (0.016") Light | 4 | | | | | X | | X |
| - | 28-12688-29 | . . . Curtain Air Seal Starter | 1 | | | | | X | | X |
| - | G-89 | Fabric: Fire Curtain, 0.057" Thick (In Square Yards) | 0.003 | | | | | X | | X |
| 80 | 28-12681-5 | . . Duct Assembly Oil Cooler Lower | 1 | | | | | X | | X |
| - | MS20426AD3-3 | . . . Rivet, Solid, 3/32" X 3/16" | 2 | | | | | X | | X |
| - | MS20470AD3-4 | . . . Rivet, Solid, 3/32" X 0.250" | 12 | | | | | X | | X |
| - | MS20426AD3-4 | . . . Rivet, Solid, 3/32" X 0.250" | 15 | | | | | X | | X |
| - | NAS1097AD3-4 | . . . Rivet, Solid, 3/32" X 1/4" | 1 | | | | | X | | X |
| - | MS21078-3 | . . . Nut Plate, 2-Lug, 10-32 | 5 | | | | | X | | X |
| - | MS21080-3 | . . . Nut Plate | 2 | | | | | X | | X |
| - | NAS686A08K | . . . Nut Plate | 1 | | | | | X | | X |
| - | 1219-4200-Z3Y | Spring | 2 | | | | | X | | X |
| - | 28-12667-11 | . . . Doubler Oil Cooler Duct | 1 | | | | | X | | X |
| - | 28-12668-11 | . . . Curtain Baffle Oil Cooler Duct | 1 | | | | | X | | X |
| - | G-89 | Fabric: Fire Curtain, 0.057" Thick (In square yards) | 0.04 | | | | | X | | X |
| 90 | 28-12682-11 | . . . Deflector Left Side Lower Fan Shroud | 1 | | | | | X | | X |
| 100 | 28-12683-1 | . . . Bracket Assembly Fan Shroud | 1 | | | | | X | | X |
| - | 28-12683-11 | Bracket Fan Shroud | 1 | | | | | X | | X |
| - | 28-12683-13 | Bracket Shroud Lower Left Fan | 1 | | | | | X | | X |
| 110 | 28-12666-3 | . . Cover Fan Shroud Duct | 1 | | | | | X | | X |
| - | AJW4-30 | . . . Stud, Wing-Head, 0.200" X 0.30" | 2 | | | | | X | | X |
| 120 | 28-12687-1 | . . Baffle Oil Cooler Duct | 1 | | | | | X | | X |

ENSTROM F-28/280 SERIES ILLUSTRATED PARTS CATALOG

FIGURE 3-20. ENGINE FAN SHROUD ASSEMBLY
F-28F S/N 826 and 280FX S/N 2135 and Subsequent

| ITEM NUMBER | PART NUMBER | DESCRIPTION | QTY PER ASSY | MODELS AFFECTED | | | | | | |
|-------------|----------------|--|--------------|-----------------|-----|-------|------|-------|------|-------|
| | | | | F-28A | 280 | F-28C | 280C | F-28F | 280F | 280FX |
| - | NAS686A3K | . . . Nut Plate | 5 | | | | | X | | X |
| - | MS20426AD3-4 | . . . Rivet: Solid, 3/32" X 1/4" | 16 | | | | | X | | X |
| 130 | 28-12659-1 | . . Left Side Baffle Assembly | 1 | | | | | X | | X |
| - | 28-12659-15 | . . Left Side Baffle | 1 | | | | | X | | X |
| - | MS21061L08K | . . . Nut Plate | 1 | | | | | X | | X |
| - | NAS686A08K | . . . Nut Plate | 1 | | | | | X | | X |
| - | MS20426AD3-3 | . . . Rivet: Solid, 3/32" X 0.188" | 4 | | | | | X | | X |
| - | 28-12659-17 | . . . Clip Baffle | 1 | | | | | X | | X |
| - | MS20470AD3-3 | . . . Rivet | 2 | | | | | X | | X |
| 150 | 28-12611-5 | . . Bracket Anchor | 1 | | | | | X | | X |
| 160 | 28-12689-11 | . . Fire Curtain Alternator (793/2078 and Subsequent). | 1 | | | | | X | | X |
| - | G-89 | . . . Fabric: Fire Curtain, 3/64" Thick (In square yards) | 0.04 | | | | | X | | X |
| 170 | 28-12610-12 | . . Baffle Fan Shroud LH | 1 | | | | | X | | X |
| 180 | 28-12610-13 | . . Baffle Fan Shroud RH | 1 | | | | | X | | X |
| 190 | 28-12620-1 | . Bracket Shroud Fan Up Support | 1 | | | | | X | | X |
| - | MS21069-08 | . . Plate Nut | 1 | | | | | X | | X |
| - | MS20426AD3-4 | . . Rivet, Solid, 3/32" X 3/16" | 2 | | | | | X | | X |
| 200 | 28-12647-3 | . Vane & Splitter Assembly | 1 | | | | | X | | X |
| - | MS20470AD4-4 | . . Rivet: Solid, 1/8" X 0.250" Alum | 12 | | | | | X | | X |
| - | 28-12646-21 | . . Upper Splitter | 1 | | | | | X | | X |
| - | 28-12646-13 | . . Lower Splitter | 1 | | | | | X | | X |
| - | 28-12646-15 | . . Clip Splitter | 2 | | | | | X | | X |
| - | 28-12646-17 | . . Clip Splitter | 2 | | | | | X | | X |
| - | 280-126001-109 | . . Vane Assembly | 1 | | | | | X | | X |
| - | MS20426AD3-3 | . . . Rivet, Solid, 3/32" X 3/16" | 6 | | | | | X | | X |
| - | NAS686A08K | . . . Nut Plate | 3 | | | | | X | | X |
| 210 | 280-126001-9 | . Vane Assembly | 1 | | | | | X | | X |
| - | MS20470AD4-4 | . . Rivet: Solid, 1/8" X 0.250" Alum | 5 | | | | | X | | X |
| - | MS20470AD4-5 | . . Rivet, Solid, 1/8" X 0.312" Alum | 1 | | | | | X | | X |

ENSTROM F-28/280 SERIES ILLUSTRATED PARTS CATALOG

FIGURE 3-20. ENGINE FAN SHROUD ASSEMBLY
F-28F S/N 826 and 280FX S/N 2135 and Subsequent

| ITEM NUMBER | PART NUMBER | DESCRIPTION | QTY PER ASSY | MODELS AFFECTED | | | | | | |
|-------------|----------------|---|--------------|-----------------|-----|-------|------|-------|------|-------|
| | | | | F-28A | 280 | F-28C | 280C | F-28F | 280F | 280FX |
| - | 280-126001-15 | . . Vane | 1 | | | | | X | | X |
| - | 280-126001-53 | . . Clip Vane | 1 | | | | | X | | X |
| - | 280-126001-55 | . . Clip Vane | 1 | | | | | X | | X |
| 220 ◀ | 28-126007-7 | . Baffle Plate Assembly #1 Cylinder | 1 | | | | | X | | X |
| 220 | 28-126007-5 | . Baffle, L/H Aft (Superseded by 28-126007-7) | 1 | | | | | X | | X |
| - | 82-35-302-15 | . . Receptacle, Spring, Leaf #82 | 1 | | | | | X | | X |
| - | MS21069-06K | . . Nut Plate | 2 | | | | | X | | X |
| - | MS20426A3-3.5 | . . Rivet | 4 | | | | | X | | X |
| - | NAS1097AD3-4 | . . Rivet | 2 | | | | | X | | X |
| 230 ◀ | 28-12607-101 | . Baffle Plate Assembly #2 Cylinder | 1 | | | | | X | | X |
| 230 | 28-12607-8 | . Plate Baffle Assembly (Superseded by 28-12607-101) | 1 | | | | | X | | X |
| - | 82-35-302-15 | . . Receptacle, Spring, Leaf #82 | 2 | | | | | X | | X |
| - | MS21069-06K | . . Nut Plate | 2 | | | | | X | | X |
| - | MS20426AD3-3.5 | . . Rivet | 4 | | | | | X | | X |
| - | NAS1097AD3-4 | . . Rivet | 4 | | | | | X | | X |
| 240 ◀ | 28-126007-17 | . Baffle Plate #3 Cylinder | 1 | | | | | X | | X |
| 240 | 28-126007-3 | . Plate Baffle (Superseded by 28- 126007-17) | 1 | | | | | X | | X |
| - | 82-35-302-15 | . . Receptacle, Spring, Leaf #82 | 2 | | | | | X | | X |
| - | NAS1097AD3-4 | . . Rivet | 4 | | | | | X | | X |
| 250 ◀ | 28-12607-13 | . Baffle Plate #4 Cylinder | 1 | | | | | X | | X |
| 250 | 28-12607-6 | . Plate Baffle Assembly (Superseded by 28-12607-13) | 1 | | | | | X | | X |
| - | 82-35-302-15 | . . Receptacle, Spring, Leaf #82 | 2 | | | | | X | | X |
| - | NAS1097AD3-4 | . . Rivet | 4 | | | | | X | | X |
| 260 | 28-12613-5 | . Baffle Fan Shroud | 1 | | | | | X | | X |
| 270 | 28-12613-4 | . Baffle Fan Shroud | 1 | | | | | X | | X |

ENSTROM F-28/280 SERIES ILLUSTRATED PARTS CATALOG

FIGURE 3-20. ENGINE FAN SHROUD ASSEMBLY
F-28F S/N 826 and 280FX S/N 2135 and Subsequent

| ITEM NUMBER | PART NUMBER | DESCRIPTION | QTY PER ASSY | MODELS AFFECTED | | | | | | |
|-------------|---------------|--|--------------|-----------------|-----|-------|------|-------|------|-------|
| | | | | F-28A | 280 | F-28C | 280C | F-28F | 280F | 280FX |
| 280 ◀ | 28-12629-11 | . Baffle Plate | 1 | | | | | X | | X |
| 280 | 28-12616-1 | . Plate Baffle Assembly (Superseded by 28-12629-11) | 1 | | | | | X | | X |
| - | 82-19-120-16 | . . Fastener Stud Recess | 3 | | | | | X | | X |
| - | 82-19-140-16 | . . Stud, Oval-Head, 0.198" (0.285) | 4 | | | | | X | | X |
| - | 43-13-1-24 | . . Ejector Spring | 7 | | | | | X | | X |
| - | 82-32-101-20 | . . Retainer, Ring, Split #82 Stud | 7 | | | | | X | | X |
| 290 ◀ | 28-12628-11 | . Baffle Plate | 1 | | | | | X | | X |
| 290 | 28-12614-1 | . Baffle Plate Assembly (Superseded by 28-12628-11) | 1 | | | | | X | | X |
| - | 82-19-120-16 | . . Fastener Stud Recess | 3 | | | | | X | | X |
| - | 82-19-140-16 | . . Stud, Oval-Head, 0.198" (0.285) | 5 | | | | | X | | X |
| - | 43-13-1-24 | . . Spring Ejector | 8 | | | | | X | | X |
| - | 82-32-101-20 | . . Retainer, Ring, Split #82 Stud | 8 | | | | | X | | X |
| 291 | 8X5/8 | . . Screw (Used with 28-12629-11 and 28-12628-11) | 15 | | | | | X | | X |
| 291 | MS51861-36 | . . Screw (Used with 28-12629-11 and 28-12628-11) (Alternate) | 15 | | | | | X | | X |
| 292 ≡ | A01789-8Z-1D | . . Nutplate | 15 | | | | | X | | X |
| 300 | 28-12615-1 | . Plate Baffle Assembly | 1 | | | | | X | | X |
| - | 82-35-302-15 | . . Receptacle, Spring, Leaf #82 | 6 | | | | | X | | X |
| - | MS20426A3-4 | . . Rivet, Solid, 3/32" X 1/4" | 12 | | | | | X | | X |
| 310 | 28-12609-3 | . Baffle Plate | 1 | | | | | X | | X |
| - | 82-35-302-15 | . . Receptacle, Spring, Leaf #82 | 1 | | | | | X | | X |
| - | MS21071-06 | . . Nut Plate | 1 | | | | | X | | X |
| - | MS21069-06 | . . Nut Plate | 1 | | | | | X | | X |
| - | NAS1097AD3-4 | . . Rivet | 2 | | | | | X | | X |
| - | 280-127505-17 | . . Stub Heat Duct | 1 | | | | | X | | X |
| - | MS20470AD3-4 | . . Rivet, Solid, 3/32" X 0.250" | 4 | | | | | X | | X |
| - | NAS1097AD3-3 | . . Rivet | 4 | | | | | X | | X |
| 320 | 28-12617-1 | . Plate Baffle Assembly | 1 | | | | | X | | X |

ENSTROM F-28/280 SERIES ILLUSTRATED PARTS CATALOG

FIGURE 3-20. ENGINE FAN SHROUD ASSEMBLY
F-28F S/N 826 and 280FX S/N 2135 and Subsequent

| ITEM NUMBER | PART NUMBER | DESCRIPTION | QTY PER ASSY | MODELS AFFECTED | | | | | | |
|-------------|---------------|--|--------------|-----------------|-----|-------|------|-------|------|-------|
| | | | | F-28A | 280 | F-28C | 280C | F-28F | 280F | 280FX |
| - | G-89 | . . Fabric: Fire Curtain, 0.057" Thick (In square yards) | 0.002 | | | | | X | | X |
| - | MS20470A3-3 | . . Rivet, Solid, 3/32" X 0.188" | 6 | | | | | X | | X |
| - | NAS1149FN316P | . . Washer: Flat, #3 (0.016") Light | 6 | | | | | X | | X |
| - | AN960-3 | . . Washer (Superseded by NAS 1149FN316P) | 6 | | | | | X | | X |
| - | MS21069-06 | . . Nut Plate | 5 | | | | | X | | X |
| - | MS20426AD3-3 | . . Rivet, Solid, 3/32" X 3/16" | 10 | | | | | X | | X |
| 330 | 28-126008-3 | . Plate Baffle Assembly | 1 | | | | | X | | X |
| 330 | 28-126008-1 | . Plate Baffle Assembly (Superseded by 28-126008-3) | 1 | | | | | X | | X |
| - | 82-35-302-15 | . . Receptacle, Spring, Leaf #82 | 1 | | | | | X | | X |
| - | MS21069-06 | . . Nut Plate | 3 | | | | | X | | X |
| - | NAS1097AD3-3 | . . Rivet | 2 | | | | | X | | X |
| - | NAS1097AD3-4 | . . Rivet: Solid, 3/32" X 1/4" | 10 | | | | | X | | X |
| - | 28-12608-4 | . . Tab Support | 1 | | | | | X | | X |
| - | 28-12621-1 | . . Bracket Cover | 1 | | | | | X | | X |
| - | 28-181008-1 | . . Ducting Stub | 1 | | | | | X | | X |
| 340 | AN515-6-6 | . Screw, Machine (RH), 6-32 X 0.375" | A/R | | | | | X | | X |
| 350 | NAS1149FN632P | . Washer, Flat #6 Bolt Size | A/R | | | | | X | | X |
| 350 | AN960-6 | . Washer (Superseded by NAS1149FN632P) | A/R | | | | | X | | X |
| 360 | MS35338-41 | . Washer, Lock, #6 (0.031") | A/R | | | | | X | | X |
| 360 | AN935-6 | . Lock Washer (Superseded by MS35338-41) | A/R | | | | | X | | X |
| 370 | MS35649-262 | . Nut, Hex, 6-32 Light | A/R | | | | | X | | X |
| 370 | AN340-632 | . Nut (Superseded by MS35649-262) | A/R | | | | | X | | X |
| 380 | NP500-456-7 | . Screw, 1/4-20 X 7/16" | 3 | | | | | X | | X |
| 380 | NK500-416-7 | . Screw (Superseded by NP500-456-7) | 3 | | | | | X | | X |
| 390 | NAS1149F0432P | . Washer: Flat, 1/4" (0.032) Light | 3 | | | | | X | | X |

ENSTROM F-28/280 SERIES ILLUSTRATED PARTS CATALOG

FIGURE 3-20. ENGINE FAN SHROUD ASSEMBLY
F-28F S/N 826 and 280FX S/N 2135 and Subsequent

| ITEM NUMBER | PART NUMBER | DESCRIPTION | QTY PER ASSY | MODELS AFFECTED | | | | | | |
|-------------|---------------|--|--------------|-----------------|-----|-------|------|-------|------|-------|
| | | | | F-28A | 280 | F-28C | 280C | F-28F | 280F | 280FX |
| 390 | AN960-416L | . Washer (Superseded by NAS1149F0432P) | 3 | | | | | X | | X |
| 400 | AN502-10-8 | . Screw | 3 | | | | | X | | X |
| 410 | MS35333-39 | . Lock Washer | 3 | | | | | X | | X |
| 410 | AN936A10 | . Lock Washer (Superseded by MS35333-39) | 3 | | | | | X | | X |
| 420* | 65614 | . Plug, Attaching | 3 | | | | | X | | X |
| 430 | MS35206-244 | . Screw, Machine (RH), 8-32 X 0.438" | 5 | | | | | X | | X |
| 430 | AN515-8R7 | . Screw (Superseded by MS35206-244) | 5 | | | | | X | | X |
| 440 | NAS1149FN816P | . Washer: Flat, #8" (0.016") Light | 5 | | | | | X | | X |
| 440 | AN960-8L | . Washer (Superseded by NAS1149FN816P) | 5 | | | | | X | | X |
| 450 | AN3-3A | . Bolt, Mach, 10-32 X 0.469" | A/R | | | | | X | | X |
| 460 | NAS1149F0432P | . Washer, Flat, #10 (0.032") Light | A/R | | | | | X | | X |
| 460 | AN960-10L | . Washer (Superseded by NAS1149F0332P) | A/R | | | | | X | | X |
| 470 | AN3-4A | . Bolt: Machine, 10-32 X 0.531" | 1 | | | | | X | | X |
| 480 | 28-12619-1 | . Strut Assembly | 1 | | | | | X | | X |
| - | 28-12619-4 | . . Bracket End Lower | 1 | | | | | | | |
| - | 28-12619-5 | . . Plate, End, Fan Shroud Strut | 1 | | | | | | | |
| 490 | 28-12686-11 | . Strut | 1 | | | | | X | | X |
| 500 | AN3-5A | . Bolt, Mach, 10-32 X 0.656" | 1 | | | | | X | | X |
| 510 | NAS1149F0363P | . Washer, Flat, #10 (0.063") | 2 | | | | | X | | X |
| 510 | AN960-10 | . Washer (Superseded by NAS1149F0363P) | 2 | | | | | X | | X |
| 520 | MS21044N3 | . Nut, Self-Locking | 1 | | | | | X | | X |
| 520 | AN365-1032A | . Nut (Superseded by MS21044N3) | 1 | | | | | X | | X |
| 530 | AN503-416-10 | . Screw, Machine (Flh), 1/4-20 X 0.625" | 6 | | | | | X | | X |
| 530 | AN503-416-28 | . Screw, Machine (Flh), 1/4-20 X 1.750" | 2 | | | | | X | | X |

ENSTROM F-28/280 SERIES ILLUSTRATED PARTS CATALOG

FIGURE 3-20. ENGINE FAN SHROUD ASSEMBLY
F-28F S/N 826 and 280FX S/N 2135 and Subsequent

| ITEM NUMBER | PART NUMBER | DESCRIPTION | QTY PER ASSY | MODELS AFFECTED | | | | | | |
|-------------|---------------|---|--------------|-----------------|-----|-------|------|-------|------|-------|
| | | | | F-28A | 280 | F-28C | 280C | F-28F | 280F | 280FX |
| 530 | AN503-416-10 | . Screw, Machine (Flh), 1/4-20 X 0.625" (No Auxiliary Cooler) | 8 | | | | | | | |
| 540 | NAS1149F0432P | . Washer: Flat, 1/4" (0.032") Light | 8 | | | | | X | | X |
| 540 | AN960-416L | . Washer (Superseded by NAS1149F0432P) | 8 | | | | | X | | X |
| 550 | NAS43HT4-64 | . Spacer | 2 | | | | | X | | X |
| 560 | MS21919WCJ12 | . Clamp, Loop, 3/4" Cushioned | 3 | | | | | X | | X |
| 565 | AN526-1032R8 | . Screw | 1 | | | | | X | | X |
| 570 | MS35206-245 | . Screw: Mach (Ph), 8-32 X 0.500" | 8 | | | | | X | | X |
| 570 | AN515-8R8 | . Screw (Superseded by MS35206-245) | 8 | | | | | X | | X |
| 575 | NAS1149F0332P | . Washer | 1 | | | | | X | | X |
| 580 | NAS1149FN816P | . Washer: Flat, #8" (0.016) Light | 16 | | | | | X | | X |
| 580 | AN960-8L | . Washer (Superseded by NAS1149FN816P) | 16 | | | | | X | | X |
| 585 | AN935-10 | . Lock Washer | 1 | | | | | X | | X |
| 590 | MS35338-42 | . Washer: Lock, 0.040" #8 Light | 7 | | | | | X | | X |
| 590 | AN935-8 | . Lock Washer (Superseded by MS35338-42) | 7 | | | | | X | | X |
| 595 | AN345-10 | . Nut | 1 | | | | | X | | X |
| 600 | MS35649-282 | . Nut: Hex, 8-32 Unc-2b Light | 7 | | | | | X | | X |
| 600 | AN340-8 | . Nut (Superseded by MS35649-282) | 7 | | | | | X | | X |
| 610 | 280-126001-69 | . Bracket, Clamp, Support | 3 | | | | | X | | X |
| 620 | AN742-F6 | . Clamp | 1 | | | | | X | | X |
| 630 | 4508-2 | . Tape: Foam, 2" W (0.125" T) Black | 82" | | | | | X | | X |

* Obtain from a Lycoming Distributor.

** Effective: F-28F/280FX S/N 833/2170 and subsequent; Eligibility: F-28F/280FX S/N 826/2135 and subsequent.

◀ Effective: F-28F/280FX S/N S/N 833/2170 and subsequent; Eligibility: F-28F/280FX S/N 826/2135 and subsequent.

≡ See Appendix A for equivalent part number information; See Appendix B for acceptable substitution.

ENSTROM F-28/280 SERIES ILLUSTRATED PARTS CATALOG

FIGURE 3-20 A. ENGINE FAN SHROUD ASSEMBLY
F28F S/N 825 and 280FX S/N 2134 and Previous

| ITEM NUMBER | PART NUMBER | DESCRIPTION | QTY PER ASSY | MODELS AFFECTED | | | | | | |
|-------------|----------------|--|--------------|-----------------|-----|-------|------|-------|------|-------|
| | | | | F-28A | 280 | F-28C | 280C | F-28F | 280F | 280FX |
| —● | 28-12676-9 | . Shroud Assembly - Skytech Starter (Superseded by 28-12676-901) | 1 | | | | | X | | X |
| — | 28-12676-7 | . Shroud Assembly - B&C or Lycoming Starter (Superseded by 28-12675-9) | 1 | | | | | X | | X |
| 10 | 28-12675-3 | . . Fan Shroud Assembly | 1 | | | | | X | | X |
| — | 28-12610-3A | . . Shroud Fan Engine Cooling | 1 | | | | | X | | X |
| 20 | 280-126001-908 | . . . Vane Assembly | 1 | | | | | X | | X |
| — | NAS1068A08 | Nut Plate | 1 | | | | | X | | X |
| — | MS20426AD3-3 | Rivet | 2 | | | | | X | | X |
| 30 | 28-12656-3 | . . . Oil Cooler Duct Assembly | 1 | | | | | X | | X |
| — | MS21078-3 | . . . Nut Plate, 2-Lug, 10-32 | 7 | | | | | X | | X |
| — | NAJ1-02BC | . . . Nut Plate (Superseded by 21078-3) | 7 | | | | | X | | X |
| — | MS21080-3 | . . . Nut Plate | 2 | | | | | X | | X |
| — | NAJ17-02BC | . . . Nut Plate (Superseded by MS21080-3) | 2 | | | | | X | | X |
| — | MS20426AD3-4 | . . . Rivet: Solid, 3/32" X 1/4" | 18 | | | | | X | | X |
| —●● | 28-12652-5 | . . . Aft Wall Baffle Duct Assembly | 1 | | | | | X | | X |
| — | 28-12652-13 | . . . Aft Wall Baffle Duct Assembly | 1 | | | | | X | | X |
| —●● | 28-12652-5 | . . . Aft Wall Baffle Duct Assembly | 1 | | | | | X | | X |
| — | 28-12653-13 | . . . Baffle Oil Cooling Duct | 1 | | | | | X | | X |
| 40 | 28-12149-1 | . . . Stub, Fan Shroud | 1 | | | | | X | | X |
| — | MS20426AD3-4 | . . . Rivet | 4 | | | | | X | | X |
| 50 | 28-12655-5 | . . Oil Cooler Duct Assembly (Used with 28-12676-9) | 1 | | | | | X | | X |
| 50 | 28-12655-3 | . . Oil Cooler Duct Assembly (Used with 28-12676-7) | 1 | | | | | X | | X |
| — | MS21078-3 | . . . Nut Plate, 2-Lug, 10-32 | 3 | | | | | X | | X |
| — | NAJ1-02BC | . . . Nut Plate (Superseded by MS21078-3) | 3 | | | | | X | | X |
| — | MS20426AD3-4 | . . . Rivet: Solid, 3/32" X 1/4" | 6 | | | | | X | | X |
| — | MS20426A3-4 | . . . Rivet: Solid, 3/32" X 1/4" | 4 | | | | | X | | X |

ENSTROM F-28/280 SERIES ILLUSTRATED PARTS CATALOG

FIGURE 3-20 A. ENGINE FAN SHROUD ASSEMBLY
F28F S/N 825 and 280FX S/N 2134 and Previous

| ITEM NUMBER | PART NUMBER | DESCRIPTION | QTY PER ASSY | MODELS AFFECTED | | | | | | |
|-------------|---------------|---|--------------|-----------------|-----|-------|------|-------|------|-------|
| | | | | F-28A | 280 | F-28C | 280C | F-28F | 280F | 280FX |
| - | 28-12651-13 | ... Surface Lower Oil Cooler Duct | 1 | | | | | X | | X |
| 60 | 28-12662-1 | .. Cover Oil Cooler Duct Assembly | 1 | | | | | X | | X |
| 60 | 28-12662-13 | ... Cover (Superseded by 28-12662-1) | 1 | | | | | X | | X |
| - | AJW4-30 | ... Wing Fastener | 2 | | | | | X | | X |
| - | GA4-250 | ... Retainer, Stud | 2 | | | | | X | | X |
| 70** | 28-12688-5 | .. Starter Shroud Assembly | 1 | | | | | X | | X |
| - | MS20470A3-4 | ... Rivet, Solid, 3/32" X 0.250" | | | | | | X | | X |
| - | NAS1149FN316P | ... Washer: Flat, #3 (0.016") Light | | | | | | X | | X |
| - | 28-12688-29 | ... Curtain Air Seal Starter | | | | | | X | | X |
| - | G-89 | ... Fabric: Fire Curtain, 3/64" Thick (In Square Yards) | 0.003 | | | | | X | | X |
| 70 | 28-12688-3 | .. Starter Shroud Assembly Lycoming Starters (Superseded by 28-12688-5) | 1 | | | | | X | | X |
| - | NAS1149FN316P | ... Washer: Flat, #3 (0.016") Light | 4 | | | | | X | | X |
| - | 28-12688-25 | ... Curtain Starter Shroud | 1 | | | | | X | | X |
| 70 | 28-12688-1 | .. Starter Shroud Assembly (B&C Starters Only) | 1 | | | | | X | | X |
| - | MS20470AD3-4 | ... Rivet, Solid, 3/32" X 0.250" | 9 | | | | | X | | X |
| - | 28-12688-13 | ... Strap - Starter Shroud. | 1 | | | | | X | | X |
| - | 28-12688-15 | ... Air Seal Starter Shroud | 1 | | | | | X | | X |
| - | 28-12688-17 | ... Brace - Starter Shroud | 1 | | | | | X | | X |
| - | 28-12688-19 | ... Spacer Starter Shroud | 1 | | | | | X | | X |
| 80 | 28-12681-5 | .. Oil Cooler Duct Assembly | 1 | | | | | X | | X |
| 90 | 28-12682-11 | ... Deflector Lt Side Lower Fan Shroud | 1 | | | | | X | | X |
| 100 | 28-12683-1 | ... Bracket Assembly Fan Shroud (Used with 28-12681-1, -5) | 1 | | | | | X | | X |
| - | 28-12683-11 | ... Bracket Fan Shroud | 1 | | | | | X | | X |
| - | 28-12683-13 | ... Bracket Shroud Lower Left Fan | 1 | | | | | X | | X |
| - | 28-12668-11 | ... Curtain Baffle Oil Cooler Duct | 1 | | | | | X | | X |

ENSTROM F-28/280 SERIES ILLUSTRATED PARTS CATALOG

FIGURE 3-20 A. ENGINE FAN SHROUD ASSEMBLY
F28F S/N 825 and 280FX S/N 2134 and Previous

| ITEM NUMBER | PART NUMBER | DESCRIPTION | QTY PER ASSY | MODELS AFFECTED | | | | | | |
|-------------|--------------|--|--------------|-----------------|-----|-------|------|-------|------|-------|
| | | | | F-28A | 280 | F-28C | 280C | F-28F | 280F | 280FX |
| 110 | 28-12666-3 | . . Cover Assembly (Used with 28-12681-5) | 1 | | | | | X | | X |
| - | AJW4-30 | . . . Wing Fastener | 2 | | | | | X | | X |
| - | GA4-250 | . . . Retainer | 2 | | | | | X | | X |
| 120 | 28-12687-1 | . . Baffle | 1 | | | | | X | | X |
| - | NAS686A3K | . . . Nut Plate | 5 | | | | | X | | X |
| - | NAJ-02BC | . . . Nut Plate (Superseded by NAS686A3K) | 5 | | | | | X | | X |
| - | NAS1023D08K | . . . Nut Plate, 2-Lug, 8-32 (B/C) Al | 3 | | | | | X | | X |
| - | NAJ1-82BC | . . . Nut Plate (Superseded by NAS1023D08K) | 3 | | | | | X | | X |
| - | MS20426AD3-4 | . . . Rivet: Solid, 3/32" X 1/4" | 16 | | | | | X | | X |
| 130 | 28-12659-15 | . . Baffle Assembly (Used with 28-12676-7, -9) | 1 | | | | | X | | X |
| - | MS21078-08K | . . . Nut Plate, 2-Lug, 8-32 | 1 | | | | | X | | X |
| - | NAJ17-82BC | . . . Nut Plate, 1-Lug, 8-32 | 1 | | | | | X | | X |
| - | MS20470AD3-3 | . . . Rivet: Solid, 3/32" X 0.188" | 2 | | | | | X | | X |
| 140 | 28-12659-17 | . . . Clip (Used with 28-12659-15) | 1 | | | | | X | | X |
| 140 | 28-12659-16 | . . . Clip (Used with 28-12659-15 and superseded by 28-12659-17) | 1 | | | | | X | | X |
| 150 | 28-12611-5 | . . Bracket Anchor (Used with 28-12676-7, -9) | 1 | | | | | X | | X |
| 160 | 28-12689-11 | . . Fire Curtain Alternator (Used with 28-12676-7, -9 on S/N 793/2078 and subsequent). | 1 | | | | | X | | X |
| 170 | 28-12610-12 | . . Baffle Fan Shroud LH | 1 | | | | | X | | X |
| 180 | 28-12610-13 | . . Baffle Fan Shroud RH | 1 | | | | | X | | X |
| 190 | 28-12620-1 | . Bracket Shroud Fan Up Support | 1 | | | | | X | | X |
| - | MS21069-08 | . . Plate Nut | 1 | | | | | X | | X |
| - | MS20426AD3-4 | . . Rivet, Solid, 3/32" X 3/16" | 2 | | | | | X | | X |
| 200 | 28-12647-1 | . Vane & Splitter Assembly | 1 | | | | | X | | X |
| - | MS20470AD4-4 | . . Rivet: Solid, 1/8" X 0.250" Alum | 12 | | | | | X | | X |

ENSTROM F-28/280 SERIES ILLUSTRATED PARTS CATALOG

FIGURE 3-20 A. ENGINE FAN SHROUD ASSEMBLY
F28F S/N 825 and 280FX S/N 2134 and Previous

| ITEM NUMBER | PART NUMBER | DESCRIPTION | QTY PER ASSY | MODELS AFFECTED | | | | | | |
|-------------|----------------|--|--------------|-----------------|-----|-------|------|-------|------|-------|
| | | | | F-28A | 280 | F-28C | 280C | F-28F | 280F | 280FX |
| - | 28-12646-11 | . . Upper Splitter | 1 | | | | | X | | X |
| - | 28-12646-13 | . . Lower Splitter | 1 | | | | | X | | X |
| - | 28-12646-15 | . . Clip Splitter | 2 | | | | | X | | X |
| - | 28-12646-17 | . . Clip Splitter | 2 | | | | | X | | X |
| - | 280-126001-109 | . . Vane Assembly | 1 | | | | | X | | X |
| - | MS20426AD3-3 | . . . Rivet, Solid, 3/32" X 3/16" | 6 | | | | | X | | X |
| - | NAS686A08K | . . . Nut Plate | 3 | | | | | X | | X |
| 210 | 280-126001-9 | . Vane Assembly | 1 | | | | | X | | X |
| - | MS20470AD4-4 | . . Rivet: Solid, 1/8" X 0.250" Alum | 5 | | | | | X | | X |
| - | MS20470AD4-5 | . . Rivet, Solid, 1/8" X 0.312" Alum | 1 | | | | | X | | X |
| - | 280-126001-15 | . . Vane | 1 | | | | | X | | X |
| - | 280-126001-53 | . . Clip Vane | 1 | | | | | X | | X |
| - | 280-126001-55 | . . Clip Vane | 1 | | | | | X | | X |
| 220●● | 28-126007-7 | . Baffle Plate Assembly #1 Cylinder | 1 | | | | | X | | X |
| 220 | 28-126007-5 | . Baffle, L/H Aft (Superseded by 28-126007-7) | 1 | | | | | X | | X |
| - | 82-35-302-15 | . . Receptacle, Spring, Leaf #82 | 1 | | | | | X | | X |
| - | MS21069-06K | . . Nut Plate | 2 | | | | | X | | X |
| - | MS20426A3-3.5 | . . Rivet | 4 | | | | | X | | X |
| - | NAS1097AD3-4 | . . Rivet | 2 | | | | | X | | X |
| 230●● | 28-12607-101 | . Baffle Plate Assembly #3 Cylinder | 1 | | | | | X | | X |
| 230 | 28-12607-8 | . Plate Baffle Assembly (Superseded by 28-126007-17) | 1 | | | | | X | | X |
| - | 82-35-302-15 | . . Receptacle, Spring, Leaf #82 | 2 | | | | | X | | X |
| - | MS21069-06K | . . Nut Plate | 2 | | | | | X | | X |
| - | MS20426AD3-3.5 | . . Rivet | 4 | | | | | X | | X |
| - | NAS1097AD3-4 | . . Rivet | 4 | | | | | X | | X |
| 240●● | 28-126007-17 | . Baffle Plate #3 Cylinder | 1 | | | | | X | | X |
| 240 | 28-126007-3 | . Plate Baffle (Superseded by 28-126007-17) | 1 | | | | | X | | X |
| - | 82-35-302-15 | . . Receptacle, Spring, Leaf #82 | 2 | | | | | X | | X |

ENSTROM F-28/280 SERIES ILLUSTRATED PARTS CATALOG

FIGURE 3-20 A. ENGINE FAN SHROUD ASSEMBLY
F28F S/N 825 and 280FX S/N 2134 and Previous

| ITEM NUMBER | PART NUMBER | DESCRIPTION | QTY PER ASSY | MODELS AFFECTED | | | | | | |
|-------------|--------------|--|--------------|-----------------|-----|-------|------|-------|------|-------|
| | | | | F-28A | 280 | F-28C | 280C | F-28F | 280F | 280FX |
| – | NAS1097AD3-4 | . . Rivet | 4 | | | | | X | | X |
| 250●● | 28-12607-13 | . Baffle Plate #4 Cylinder | 1 | | | | | X | | X |
| 250 | 28-12607-6 | . Plate Baffle Assembly (Superseded by 28-12607-13) | 1 | | | | | X | | X |
| – | 82-35-302-15 | . . Receptacle, Spring, Leaf #82 | 2 | | | | | X | | X |
| – | NAS1097AD3-4 | . . Rivet | 4 | | | | | X | | X |
| 260 | 28-12613-5 | . Baffle Fan Shroud | 1 | | | | | X | | X |
| 270 | 28-12613-4 | . Baffle Fan Shroud | 1 | | | | | X | | X |
| 280●● | 28-12629-11 | . Baffle Plate | 1 | | | | | X | | X |
| 280 | 28-12616-1 | . Plate Baffle Assembly (Superseded by 28-1629-11) | 1 | | | | | X | | X |
| – | 82-19-120-16 | . . Fastener Stud Recess | 3 | | | | | X | | X |
| – | 82-19-140–16 | . . Stud, Oval-Head, 0.198" (0.285) | 4 | | | | | X | | X |
| – | 43-13-1-24 | . . Ejector Spring | 7 | | | | | X | | X |
| – | 82-32-101-20 | . . Retainer, Ring, Split #82 Stud | 7 | | | | | X | | X |
| 290●● | 28-12628-11 | . Baffle Plate | 1 | | | | | X | | X |
| 290 | 28-12614-1 | . Baffle Plate Assembly (Superseded by 28-16628-11) | 1 | | | | | X | | X |
| – | 82-19-120-16 | . . Fastener Stud Recess | 3 | | | | | X | | X |
| – | 82-19-140–16 | . . Stud, Oval-Head, 0.198" (0.285) | 5 | | | | | X | | X |
| – | 43-13-1-24 | . . Spring Ejector | 8 | | | | | X | | X |
| – | 82-32-101-20 | . . Retainer, Ring, Split #82 Stud | 8 | | | | | X | | X |
| 291●● | 8X5/8 | . . Screw (Used with 280A and 290A) | 15 | | | | | X | | X |
| 291●● | MS51861-36 | . . Screw (Used with 280A and 290A) (Alternate) | 15 | | | | | X | | X |
| 292●●≡ | A01789-8Z-1D | . . Nutplate | 15 | | | | | X | | X |
| 300 | 28-12615-1 | . Plate Baffle Assembly | 1 | | | | | X | | X |
| – | 82-35-302-15 | . . Receptacle, Spring, Leaf #82 | 6 | | | | | X | | X |
| – | MS20426A3-4 | . . Rivet, Solid, 3/32" X 1/4" | 12 | | | | | X | | X |
| 310 | 28-12609-3 | . Baffle Plate | 1 | | | | | X | | X |
| – | 82-35-302-15 | . . Receptacle, Spring, Leaf #82 | 1 | | | | | X | | X |

ENSTROM F-28/280 SERIES ILLUSTRATED PARTS CATALOG

FIGURE 3-20 A. ENGINE FAN SHROUD ASSEMBLY
F28F S/N F 825 and 280FX S/N 2134 and Previous

| ITEM NUMBER | PART NUMBER | DESCRIPTION | QTY PER ASSY | MODELS AFFECTED | | | | | | |
|-------------|---------------|--|--------------|-----------------|-----|-------|------|-------|------|-------|
| | | | | F-28A | 280 | F-28C | 280C | F-28F | 280F | 280FX |
| - | MS21071-06 | . . Nut Plate | 1 | | | | | X | | X |
| - | MS21069-06 | . . Nut Plate | 1 | | | | | X | | X |
| - | NAS1097AD3-4 | . . Rivet | 2 | | | | | X | | X |
| - | 280-127505-17 | . . Stub Heat Duct | 1 | | | | | X | | X |
| - | MS20470AD3-4 | . . Rivet, Solid, 3/32" X 0.250" | 4 | | | | | X | | X |
| - | NAS1097AD3-3 | . . Rivet | 4 | | | | | X | | X |
| 320 | 28-12617-1 | . Plate Baffle Assembly | 1 | | | | | X | | X |
| - | G-89 | . . Fabric: Fire Curtain, 0.057" Thick (In square yards) | 0.002 | | | | | X | | X |
| - | MS20470A3-3 | . . Rivet, Solid, 3/32" X 0.188" | 6 | | | | | X | | X |
| - | NAS1149FN316P | . . Washer: Flat, #3 (0.016") Light | 6 | | | | | X | | X |
| - | AN960-3 | . . Washer (Superseded by NAS 1149FN316P) | 6 | | | | | X | | X |
| - | MS21069-06 | . . Nut Plate | 5 | | | | | X | | X |
| - | MS20426AD3-3 | . . Rivet, Solid, 3/32" X 3/16" | 10 | | | | | X | | X |
| 330 | 28-126008-3 | . Plate Baffle Assembly | 1 | | | | | X | | X |
| 330 | 28-126008-1 | . Plate Baffle Assembly (Superseded by 28-126008-3) | 1 | | | | | X | | X |
| - | 82-35-302-15 | . . Receptacle, Spring, Leaf #82 | 1 | | | | | X | | X |
| - | MS21069-06 | . . Nut Plate | 3 | | | | | X | | X |
| - | NAS1097AD3-3 | . . Rivet | 2 | | | | | X | | X |
| - | NAS1097AD3-4 | . . Rivet: Solid, 3/32" X 1/4" | 10 | | | | | X | | X |
| - | 28-12608-4 | . . Tab Support | 1 | | | | | X | | X |
| - | 28-12621-1 | . . Bracket Cover | 1 | | | | | X | | X |
| - | 28-181008-1 | . . Ducting Stub | 1 | | | | | X | | X |
| 340 | AN515-6-6 | . Screw, Machine (RH), 6-32 X 0.375" | A/R | | | | | X | | X |
| 350 | NAS1149FN632P | . Washer, Flat #6 Bolt Size | A/R | | | | | X | | X |
| 350 | AN960-6 | . Washer (Superseded by NAS1149FN632P) | A/R | | | | | X | | X |
| 360 | MS35338-41 | . Washer, Lock, #6 (0.031") | A/R | | | | | X | | X |

ENSTROM F-28/280 SERIES ILLUSTRATED PARTS CATALOG

FIGURE 3-20 A. ENGINE FAN SHROUD ASSEMBLY
F28F S/N 825 and 280FX S/N 2134 and Previous

| ITEM NUMBER | PART NUMBER | DESCRIPTION | QTY PER ASSY | MODELS AFFECTED | | | | | | |
|-------------|---------------|--|--------------|-----------------|-----|-------|------|-------|------|-------|
| | | | | F-28A | 280 | F-28C | 280C | F-28F | 280F | 280FX |
| 360 | AN935-6 | . Lock Washer (Superseded by MS35338-41) | A/R | | | | | X | | X |
| 370 | MS35649-262 | . Nut, Hex, 6-32 Light | A/R | | | | | X | | X |
| 370 | AN340-632 | . Nut (Superseded by MS35649-262) | A/R | | | | | X | | X |
| 380 | NP500-456-7 | . Screw, 1/4-20 X 7/16" | 3 | | | | | X | | X |
| 380 | NK500-416-7 | . Screw (Superseded by NP500-456-7) | 3 | | | | | X | | X |
| 390 | NAS1149F0432P | . Washer: Flat, 1/4" (0.032") Light | 3 | | | | | X | | X |
| 390 | AN960-416L | . Washer (Superseded by NAS1149F0432P) | 3 | | | | | X | | X |
| 400 | AN502-10-8 | . Screw | 3 | | | | | X | | X |
| 410 | MS35333-39 | . Lock Washer | 3 | | | | | X | | X |
| 410 | AN936A10 | . Lock Washer (Superseded by MS35333-39) | 3 | | | | | X | | X |
| 420* | 65614 | . Plug, Attaching | 3 | | | | | X | | X |
| 430 | MS35206-244 | . Screw, Machine (RH), 8-32 X 0.438" | 5 | | | | | X | | X |
| 430 | AN515-8R7 | . Screw (Superseded by MS35206-244) | 5 | | | | | X | | X |
| 440 | NAS1149FN816P | . Washer: Flat, #8" (0.016) Light | 5 | | | | | X | | X |
| 440 | AN960-8L | . Washer (Superseded by NAS1149FN816P) | 5 | | | | | X | | X |
| 450 | AN3-3A | . Bolt, Mach, 10-32 X 0.469" | A/R | | | | | X | | X |
| 460 | NAS1149F0432P | . Washer, Flat, #10 (0.032") Light | A/R | | | | | X | | X |
| 460 | AN960-10L | . Washer (Superseded by NAS1149F0332P) | A/R | | | | | X | | X |
| 470 | AN3-4A | . Bolt: Machine, 10-32 X 0.531" | 1 | | | | | X | | X |
| 480 | 28-12619-1 | . Strut Assembly | 1 | | | | | X | | X |
| - | 28-12619-4 | . Bracket End Lower | 1 | | | | | | | |
| - | 28-12619-5 | . Plate, End, Fan Shroud Strut | 1 | | | | | | | |
| 490 | 28-12686-11 | . Strut | 1 | | | | | X | | X |
| 500 | AN3-5A | . Bolt, Mach, 10-32 X 0.656" | 1 | | | | | X | | X |
| 510 | NAS1149F0363P | . Washer, Flat, #10 (0.063") | 2 | | | | | X | | X |

ENSTROM F-28/280 SERIES ILLUSTRATED PARTS CATALOG

FIGURE 3-20 A. ENGINE FAN SHROUD ASSEMBLY
F28F S/N F28F 825 and 280FX S/N 2134 and Previous

| ITEM NUMBER | PART NUMBER | DESCRIPTION | QTY PER ASSY | MODELS AFFECTED | | | | | | |
|-------------|---------------|--|--------------|-----------------|-----|-------|------|-------|------|-------|
| | | | | F-28A | 280 | F-28C | 280C | F-28F | 280F | 280FX |
| 510 | AN960-10 | . Washer (Superseded by NAS1149F0363P) | 2 | | | | | X | | X |
| 510 | NAS1149F0363P | . Washer, Flat, #10 (0.063") | 2 | | | | | X | | X |
| 510 | AN960-10 | . Washer (Superseded by NAS1149F0363P) | 2 | | | | | X | | X |
| 520 | MS21044N3 | . Nut, Self-Locking | 1 | | | | | X | | X |
| 520 | AN365-1032A | . Nut (Superseded by MS21044N3) | 1 | | | | | X | | X |
| 530 | AN503-416-10 | . Screw, Machine (Flh), 1/4-20 X 0.625" | 6 | | | | | X | | X |
| 530 | AN503-416-28 | . Screw, Machine (Flh), 1/4-20 X 1.750" | 2 | | | | | X | | X |
| 540 | NAS1149F0432P | . Washer: Flat, 1/4" (0.032") Light | 8 | | | | | X | | X |
| 540 | AN960-416L | . Washer (Superseded by NAS1149F0432P) | 8 | | | | | X | | X |
| 550 | NAS43HT4-64 | . Spacer | 2 | | | | | X | | X |
| 560 | MS21919WCJ12 | . Clamp, Loop, 3/4" Cushioned | 3 | | | | | X | | X |
| 565 | AN526-1032R8 | . Screw | 1 | | | | | | | |
| 570 | MS35206-245 | . Screw: Mach (Ph), 8-32 X 0.500" | 8 | | | | | X | | X |
| 570 | AN515-8R8 | . Screw (Superseded by MS35206-245) | 8 | | | | | X | | X |
| 575 | NAS1149F0332P | . Washer | 1 | | | | | X | | X |
| 580 | NAS1149FN816P | . Washer: Flat, #8" (.016") Light | 16 | | | | | X | | X |
| 580 | AN960-8L | . Washer (Superseded by NAS1149FN816P) | 16 | | | | | X | | X |
| 585 | AN935-10 | . Lock Washer | 1 | | | | | X | | X |
| 590 | MS35338-42 | . Washer: Lock, 0.040" #8 Light | 7 | | | | | X | | X |
| 590 | AN935-8 | . Lock Washer (Superseded by MS35338-42) | 7 | | | | | X | | X |
| 600 | MS35649-282 | . Nut: Hex, 8-32 Unc-2b Light | 8 | | | | | X | | X |
| 600 | AN340-8 | . Nut (Superseded by MS35649-282) | 8 | | | | | X | | X |
| 610 | 280-126001-69 | . Bracket, Clamp, Support | 3 | | | | | X | | X |
| 620 | AN742-F6 | . Clamp | 1 | | | | | X | | X |

ENSTROM F-28/280 SERIES ILLUSTRATED PARTS CATALOG

FIGURE 3-20 A. ENGINE FAN SHROUD ASSEMBLY
F28F S/N F28F 825 and 280FX S/N 2134 and Previous

| ITEM NUMBER | PART NUMBER | DESCRIPTION | QTY PER ASSY | MODELS AFFECTED | | | | | | |
|-------------|-------------|---------------------------------------|--------------|-----------------|-----|-------|------|-------|------|-------|
| | | | | F-28A | 280 | F-28C | 280C | F-28F | 280F | 280FX |
| 630 | 4508-2 | . Tape: Foam, 2"W (0.125" T) Black | 82" | | | | | X | | X |

* Obtain from a Lycoming distributor.

NOTE 1 Parts listed are for both 28-12676-7 and 28-12676 -9 assemblies unless otherwise noted.

** Effectivity F-28F S/N 830 and subsequent. Effectivity 280FX S/N 2137 and subsequent. Retrofittable to F-28F S/N 509 and 280FX S/N 2001.

• Effectivity F-28F S/N 805 and subsequent. Effectivity 280FX S/N 2080 and subsequent.

■ •• Eligibility F-28F S/N 509-825 and 280FX S/N 2001-2134.

ENSTROM F-28/280 SERIES ILLUSTRATED PARTS CATALOG

INTENTIONALLY LEFT BLANK

ENSTROM F-28/280 SERIES ILLUSTRATED PARTS CATALOG

FIGURE 3-20 B. ENGINE FAN SHROUD ASSEMBLY

Early Models

| ITEM NUMBER | PART NUMBER | DESCRIPTION | QTY PER ASSY | MODELS AFFECTED | | | | | | |
|-------------|----------------|--|--------------|-----------------|-----|-------|------|-------|------|-------|
| | | | | F-28A | 280 | F-28C | 280C | F-28F | 280F | 280FX |
| - | 28-12676-5 | . Shroud Assembly 24 VDC 100 Amp Alternator (Agriculture and Special Use Only) | 1 | | | | | X | | X |
| - | 28-12676-3 | . Shroud Assembly No Auxiliary Oil Cooler (Obsolete) | 1 | X | X | X | X | | | |
| - | 28-12676-1 | . Shroud Assembly Prestolite Starter (Obsolete) | 1 | X | X | X | X | X | X | X |
| 10 | 28-12675-1 | . . Fan Shroud Assembly (Obsolete. Was used with 28-12676-1, -3, -5) | 1 | | | X | X | X | X | X |
| 20 | 280-126001-906 | . . . Vane Assembly (Used with 28-12675-1) | 1 | | | X | X | X | X | X |
| - | MS20426A3-4 | Rivet, Solid, 3/32" X 1/4" | 5 | | | X | X | X | X | X |
| - | MS20470AD3-4 | Rivet, Solid, 3/32" X 0.250" | 2 | | | X | X | X | X | X |
| - | NAS1068A08 | Nut Plate, 2-Lug, 8-32 Floating | 1 | | | X | X | X | X | X |
| - | 280-126001-33 | Baffle Fan Shroud Upper | 1 | | | X | X | X | X | X |
| - | 280-126001-51 | Vane | 1 | | | X | X | X | X | X |
| 30 | 28-12656-1 | . . . Oil Cooler Duct Assembly (Obsolete. Was used with 28-12675-1) | 1 | | | X | X | X | X | X |
| - | MS21078-3 | Nut Plate | 7 | | | X | X | X | X | X |
| - | NAJ17-02BC | Nut Plate | 2 | | | X | X | X | X | X |
| - | MS20426AD3-4 | Rivet: Solid, 3/32" X 1/4" | 18 | | | X | X | X | X | X |
| - | 28-12652-5 | . . . Aft Wall Baffle Duct Assembly | 1 | | | X | X | X | X | X |
| - | 28-12653-5 | . . . Baffle Oil Cooling Duct | 1 | | | X | X | X | X | X |
| 40 | 28-12149-1 | . . . Stub, Fan Shroud | 1 | | | X | X | X | X | X |
| 50 | 28-12655-3 | . . Oil Cooler Duct Assembly (Used with 28-12676-1, -3, -5) | 1 | | | X | X | X | X | X |
| - | MS21078-3 | . . . Nut Plate, 2-Lug, 10-32 | 3 | | | | | X | | X |
| - | MS20426AD3-4 | . . . Rivet: Solid 3/32" X 1/4" | 6 | | | | | X | | X |
| - | MS20426A3-4 | . . . Rivet: Solid 3/32" X 1/4" | 4 | | | | | X | | X |
| - | 28-12650-1 | . . . Forward Wall Fan Shroud Assembly | 1 | | | | | X | | X |

ENSTROM F-28/280 SERIES ILLUSTRATED PARTS CATALOG

FIGURE 3-20 B. ENGINE FAN SHROUD ASSEMBLY

Early Models

| ITEM NUMBER | PART NUMBER | DESCRIPTION | QTY PER ASSY | MODELS AFFECTED | | | | | | |
|-------------|--------------|--|--------------|-----------------|-----|-------|------|-------|------|-------|
| | | | | F-28A | 280 | F-28C | 280C | F-28F | 280F | 280FX |
| - | 28-12651-13 | . . . Surface Lower Oil Cooler Duct | 1 | | | | | X | | X |
| 50‡ | 28-12655-1 | . . Oil Cooler Duct Assembly (Was used with 28-12676-1, -3, -5) Superseded by 28-12655-3 | 1 | | | X | X | X | X | X |
| - | MS21078-3 | . . . Nut Plate, 2-Lug, 10-32 | 3 | | | X | X | X | X | X |
| - | MS20426AD3-4 | . . . Rivet: Solid 3/32" X 1/4" | 6 | | | X | X | X | X | X |
| - | MS20426A3-4 | . . . Rivet: Solid 3/32" X 1/4" | 4 | | | X | X | X | X | X |
| - | 28-12650-11 | . . . Forward Wall Fan Shroud Assembly | 1 | | | X | X | X | X | X |
| - | 28-12651-11 | . . . Surface Lower Oil Cooler Duct | 1 | | | X | X | X | X | X |
| 60 | 28-12662-13 | . . . Cover Oil Cooler Duct (Used with 28-12655-3) | 1 | | | X | X | X | X | X |
| - | AJW4-30 | . . . Wing Fastener | 2 | | | X | X | X | X | X |
| - | GA4-250 | . . . Retainer, Stud | 2 | | | X | X | X | X | X |
| 60 | 28-12662-11 | . . . Cover (Used with 28-12655-1) | 1 | | | X | X | X | X | X |
| - | AJW4-30 | . . . Wing Fastener | 2 | | | X | X | X | X | X |
| - | GA4-250 | . . . Retainer, Stud | 2 | | | X | X | X | X | X |
| - | 28-12650-17 | . . . Forward Wall Fan Shroud Seal (Used With 28-12655-5) | 1 | | | | | X | | X |
| - | G-89 | Fabric: Fire Curtain, 3/64" Thick (In Square Yards) | 0.002 | | | | | X | | X |
| 70 | 28-12674-1 | . . Starter Shroud Assembly (Used with 28-12676-1, -3, -5) | 1 | | | X | X | X | X | X |
| - | 28-12658-11 | . . . Shroud Starter | 1 | | | X | X | X | X | X |
| - | 28-12663-11 | . . . Doubler Starter Shroud | 1 | | | X | X | X | X | X |
| - | 28-12669-11 | . . . Curtain Starter Shroud | 1 | | | X | X | X | X | X |
| - | G-89 | Fabric: Fire Curtain, 3/64" Thick (In square yards) | 0.03 | | | X | X | X | X | X |
| 80 | 28-12681-3 | . . Duct Assembly Oil Cooler Lower (Used With 28-12676-5) | 1 | | | | | X | | X |
| - | MS20426AD3-3 | . . . Rivet, Solid, 3/32" X 3/16" | 2 | | | | | X | | X |
| - | MS20426AD3-4 | . . . Rivet: Solid, 3/32" X 1/4" | 13 | | | | | X | | X |
| - | MS20470AD3-4 | . . . Rivet, Solid, 3/32" X 0.250" | 10 | | | | | X | | X |

ENSTROM F-28/280 SERIES ILLUSTRATED PARTS CATALOG

FIGURE 3-20 B. ENGINE FAN SHROUD ASSEMBLY

Early Models

| ITEM NUMBER | PART NUMBER | DESCRIPTION | QTY PER ASSY | MODELS AFFECTED | | | | | | |
|-------------|---------------|--|--------------|-----------------|-----|-------|------|-------|------|-------|
| | | | | F-28A | 280 | F-28C | 280C | F-28F | 280F | 280FX |
| - | MS21078-3 | ... Nut Plate, 2-Lug, 10-32 | 4 | | | | | X | | X |
| - | MS21080-3 | ... Nut Plate | 2 | | | | | X | | X |
| - | 1219-4200-Z3Y | ... Spring | 2 | | | | | X | | X |
| - | 28-12667-13 | ... Doubler- Oil Cooler Duct 28 Volt | 1 | | | | | X | | X |
| - | 28-12668-13 | ... Fire Curtain - Oil Cooler Duct 28 Volt | 1 | | | | | X | | X |
| - | 28-12682-13 | ... Deflector Fan Shroud 28 Volt | 1 | | | | | X | | X |
| - | 28-12683-3 | ... Bracket Assembly Fan Shroud 28 Volt | 1 | | | | | X | | X |
| - | 28-12684-11 | ... Angle Left Hand Lower Oil Cool Duct | 1 | | | | | X | | X |
| - | 28-12685-13 | ... Shroud Left Side | 1 | | | | | X | | X |
| 80 | 28-12681-1 | ... Duct Assembly Oil Cooler Lower (Used with 28-12676-1,-3) | 1 | | | X | X | X | X | X |
| - | MS20426AD3-4 | ... Rivet: Solid, 3/32" X 1/4" | 15 | | | X | X | X | X | X |
| - | MS20470AD3-4 | ... Rivet, Solid, 3/32" X 0.250" | 13 | | | X | X | X | X | X |
| - | MS21078-3 | ... Nut Plate, 2-Lug, 10-32 | 5 | | | X | X | X | X | X |
| - | MS21080-3 | ... Nut Plate | 2 | | | X | X | X | X | X |
| - | 1219-4200-Z3Y | ... Spring | 2 | | | X | X | X | X | X |
| - | 28-12666-1 | ... Cover Oil Cooler Duct Fan | 1 | | | X | X | X | X | X |
| - | 28-12684-11 | ... Angle L/H Lower Oil Cool Duct | 1 | | | X | X | X | X | X |
| - | 28-12685-11 | ... Fan Shroud Lt Side Lower | 1 | | | X | X | X | X | X |
| - | 28-12667-11 | ... Doubler Oil Cooler Duct | 1 | | | X | X | X | X | X |
| - | 28-12668-11 | ... Curtain Baffle Oil Cooler Duct | 1 | | | X | X | X | X | X |
| - | G-89 | ... Fabric: Fire Curtain, 0.057" Thick (In Square Yards) | 0.04 | | | X | X | X | X | X |
| 90 | 28-12682-11 | ... Deflector Left Side Lower Fan Shroud | 1 | | | X | X | X | X | X |

ENSTROM F-28/280 SERIES ILLUSTRATED PARTS CATALOG

FIGURE 3-20 B. ENGINE FAN SHROUD ASSEMBLY

Early Models

| ITEM NUMBER | PART NUMBER | DESCRIPTION | QTY PER ASSY | MODELS AFFECTED | | | | | | |
|-------------|--------------|--|--------------|-----------------|-----|-------|------|-------|------|-------|
| | | | | F-28A | 280 | F-28C | 280C | F-28F | 280F | 280FX |
| 100 | 28-12683-1 | . . . Bracket Assembly Fan Shroud (Use With 28-12681-1 and 28-12681-5) | 1 | | | X | X | X | X | X |
| - | 28-12683-11 | Bracket Fan Shroud | 1 | | | X | X | X | X | X |
| - | 28-12683-13 | Bracket, Shroud, Lower. Left. Fan | 1 | | | X | X | X | X | X |
| 100 | 28-12683-3 | . . . Bracket Assembly Fan Shroud 28 Volt (Use With 28-12681-3) | 1 | | | | | X | | X |
| - | 28-12683-13 | Bracket, Shroud, Lower Left Fan | 1 | | | | | X | | X |
| - | 28-12683-15 | Bracket Fan Shroud 28 V | 1 | | | | | X | | X |
| 110 | 28-12666-3 | . . Cover Oil Cooler Duct Fan Shroud (Used With 28-12681-5) | 1 | | | X | X | X | X | X |
| - | AJW4-30 | . . . Wing Fastener | 2 | | | X | X | X | X | X |
| - | GA4-250 | . . . Retainer | 2 | | | X | X | X | X | X |
| 110 | 28-12666-1 | . . Cover Oil Cooler Duct Fan Shroud (Used With 28-12681-1 and 28-12681-3) | 1 | | | X | X | X | X | X |
| - | AJW4-30 | . . . Wing Fastener | 2 | | | X | X | X | X | X |
| - | GA4-250 | . . . Retainer | 2 | | | X | X | X | X | X |
| 120 | 28-12687-1 | . . Baffle | 1 | | | X | X | X | X | X |
| - | NAS1023D08K | . . . Nut Plate | 5 | | | X | X | X | X | X |
| - | NAJ1-82BC | . . . Nut Plate (Superseded by NAS1023D08K) | 5 | | | X | X | X | X | X |
| - | MS20426AD3-4 | . . . Rivet | 16 | | | X | X | X | X | X |
| - | 28-12678-11 | . . Cover, Auxiliary Oil Cooler (Obsolete. Was used with 28-12676-3) | 1 | | | X | X | | | |
| - | AN3-4A | . . Bolt (Used with 28-12676-3) | 4 | | | X | X | | | |
| 130 | 28-12679-3 | . . Baffle Assembly 28 Volt (Used with 28-12676-5) | 1 | | | | | X | | X |
| - | MS20426A3-4 | . . . Rivet, Solid, 3/32" X 1/4" | 10 | | | | | X | | X |

ENSTROM F-28/280 SERIES ILLUSTRATED PARTS CATALOG

FIGURE 3-20 B. ENGINE FAN SHROUD ASSEMBLY

Early Models

| ITEM NUMBER | PART NUMBER | DESCRIPTION | QTY PER ASSY | MODELS AFFECTED | | | | | | |
|-------------|---------------------------------------|--|--------------|-----------------|-----|-------|------|-------|------|-------|
| | | | | F-28A | 280 | F-28C | 280C | F-28F | 280F | 280FX |
| - | MS21078-08 | . . . Nut Plate, 2-Lug, 8-32 | 2 | | | | | X | | X |
| - | MS21080-3 | . . . Nut Plate | 1 | | | | | X | | X |
| - | 28-12659-13 | . . . Baffle Left Side Fan Shroud | 1 | | | | | X | | X |
| 130 | 28-12679-1 | . . Baffle Assembly (Used with 28-12676-1, -3) | 1 | | | X | X | X | X | X |
| - | MS20426A3-4 | . . . Rivet, Solid, 3/32" X 1/4" | 8 | | | X | X | X | X | X |
| - | MS20470AD3-4 | . . . Rivet, Solid, 3/32" X 0.250" | 6 | | | X | X | X | X | X |
| - | MS21078-08 | . . . Nut Plate, 2-Lug, 8-32 | 3 | | | X | X | X | X | X |
| 140 | PART NOT USED IN THIS ASSEMBLY | | | | | | | | | |
| 150 | 28-12611-5 | . . . Bracket Anchor | 1 | | | X | X | X | X | X |
| 160 | 28-12677-1 | . . Doubler Assembly (Used with 28-12676-1, -3) | 1 | | | X | X | X | X | X |
| 160 | 28-12677-3 | . . Doubler Assembly (Obsolete Was used with 28-12676-5) | 1 | | | | | X | | X |
| 170 | 28-12610-12 | . . Baffle Fan Shroud LH | 1 | | | X | X | X | X | X |
| 180 | 28-12610-13 | . . Baffle Fan Shroud RH | 1 | | | X | X | X | X | X |
| 190 | 28-12620-1 | . Bracket Shroud Fan Up Support | 1 | | | X | X | X | X | X |
| - | MS21069-08 | . . Plate Nut | 1 | | | X | X | X | X | X |
| - | MS20426AD3-4 | . . Rivet, Solid, 3/32" X 3/16" | 2 | | | X | X | X | X | X |
| 200 | 28-12647-1 | . Vane & Splitter Assembly | 1 | | | | | X | X | X |
| - | MS20470AD4-4 | . . Rivet: Solid, 1/8"X0.250" Alum | 12 | | | | | X | X | X |
| - | 28-12646-11 | . . Upper Splitter | 1 | | | | | X | X | X |
| - | 28-12646-13 | . . Lower Splitter | 1 | | | | | X | X | X |
| - | 28-12646-15 | . . Clip Splitter | 2 | | | | | X | X | X |
| - | 28-12646-17 | . . Clip Splitter | 2 | | | | | X | X | X |
| - | 280-126001-109 | . . Vane Assembly | 1 | | | | | X | X | X |
| - | MS20426AD3-3 | . . . Rivet, Solid, 3/32" X 3/16" | 6 | | | | | X | X | X |
| - | NAS686A08K | . . . Nut Plate | 3 | | | | | X | X | X |
| 200 | 28-12645-1 | . Vane & Splitter Assembly | 1 | | | X | X | | | |

ENSTROM F-28/280 SERIES ILLUSTRATED PARTS CATALOG

FIGURE 3-20 B. ENGINE FAN SHROUD ASSEMBLY

Early Models

| ITEM NUMBER | PART NUMBER | DESCRIPTION | QTY PER ASSY | MODELS AFFECTED | | | | | | |
|-------------|----------------|--|--------------|-----------------|-----|-------|------|-------|------|-------|
| | | | | F-28A | 280 | F-28C | 280C | F-28F | 280F | 280FX |
| - | MS20470AD4-4 | . . Rivet:Solid,1/8"X 0.250" Alum | 4 | | | X | X | | | |
| - | 280-126001-11 | . . Vane Splitter | 1 | | | X | X | | | |
| - | 280-126001-3 | . . Splitter Assembly | 1 | | | X | X | | | |
| 210 | 280-126001-9 | . Vane Assembly | 1 | | | X | X | X | X | X |
| - | MS20470AD4-4 | . . Rivet: Solid,1/8" X 0.250" Alum | 5 | | | X | X | X | X | X |
| - | MS20470AD4-5 | . . Rivet, Solid, 1/8" X 0.312" Alum | 1 | | | X | X | X | X | X |
| - | 280-126001-15 | . . Vane | 1 | | | X | X | X | X | X |
| - | 280-126001-53 | . . Clip Vane | 1 | | | X | X | X | X | X |
| - | 280-126001-55 | . . Clip Vane | 1 | | | X | X | X | X | X |
| 220 | 28-126007-7 | . Baffle Plate Assembly #1 Cylinder | 1 | | | X | X | X | X | X |
| 220 | 28-126007-5 | . Baffle, L/H Aft (Superseded by 28-126007-7) | 1 | | | X | X | X | X | X |
| - | 82-35-302-15 | . . Receptacle, Spring, Leaf #82 | 1 | | | X | X | X | X | X |
| - | MS21069-06K | . . Nut Plate | 2 | | | X | X | X | X | X |
| - | MS20426A3-3.5 | . . Rivet | 4 | | | X | X | X | X | X |
| - | NAS1097AD3-4 | . . Rivet | 2 | | | | | X | | X |
| 230 | 28-12607-101 | . Baffle Plate Assembly #2 Cylinder | 1 | | | X | X | X | X | X |
| 230 | 28-12607-8 | . Plate Baffle Assembly (Superseded by 28-12607-101) | 1 | | | X | X | X | X | X |
| - | 82-35-302-15 | . . Receptacle, Spring, Leaf #82 | 2 | | | X | X | X | X | X |
| - | MS21069-06K | . . Nut Plate | 2 | | | X | X | X | X | X |
| - | MS20426AD3-3.5 | . . Rivet | 4 | | | X | X | X | X | X |
| - | NAS1097AD3-4 | . . Rivet | 4 | | | X | X | X | X | X |
| 240 | 28-126007-17 | . Baffle Plate #3 Cylinder | 1 | | | X | X | X | X | X |
| 240 | 28-126007-3 | . Plate Baffle (Superseded by 28-126007-17) | 1 | | | X | X | X | X | X |
| - | 82-35-302-15 | . . Receptacle, Spring, Leaf #82 | 2 | | | X | X | X | X | X |
| - | NAS1097AD3-4 | . . Rivet | 4 | | | X | X | X | X | X |
| 250 | 28-12607-13 | . Baffle Plate #4 Cylinder | 1 | | | X | X | X | X | X |
| 250 | 28-12607-6 | . Plate Baffle Assembly (Superseded by 28-12607-13) | 1 | | | X | X | X | X | X |

ENSTROM F-28/280 SERIES ILLUSTRATED PARTS CATALOG

FIGURE 3-20 B. ENGINE FAN SHROUD ASSEMBLY

Early Models

| ITEM NUMBER | PART NUMBER | DESCRIPTION | QTY PER ASSY | MODELS AFFECTED | | | | | | |
|-------------|--------------|--|--------------|-----------------|-----|-------|------|-------|------|-------|
| | | | | F-28A | 280 | F-28C | 280C | F-28F | 280F | 280FX |
| - | 82-35-302-15 | . . Receptacle, Spring, Leaf #82 | 2 | | | X | X | X | X | X |
| - | NAS1097AD3-4 | . . Rivet | 4 | | | X | X | X | X | X |
| 260 | 28-12613-5 | . Baffle Fan Shroud | 1 | | | X | X | X | X | X |
| 270 | 28-12613-4 | . Baffle Fan Shroud | 1 | | | X | X | X | X | X |
| 280 | 28-12629-11 | . Baffle Plate | 1 | | | X | X | X | X | X |
| 280 | 28-12616-1 | . Plate Baffle Assembly (Superseded by 28-12629-11) | 1 | | | X | X | X | X | X |
| - | 82-19-120-16 | . . Fastener Stud Recess | 3 | | | X | X | X | X | X |
| - | 82-19-140-16 | . . Stud, Oval-Head, 0.198" (0.285") | 4 | | | X | X | X | X | X |
| - | 43-13-1-24 | . . Ejector Spring | 7 | | | X | X | X | X | X |
| - | 82-32-101-20 | . . Retainer, Ring, Split #82 Stud | 7 | | | X | X | X | X | X |
| 290 | 28-12628-11 | . Baffle Plate | 1 | | | X | X | X | X | X |
| 290 | 28-12614-1 | . Baffle Plate Assembly (Superseded by 28-12628-11) | 1 | | | X | X | X | X | X |
| - | 82-19-120-16 | . . Fastener Stud Recess | 3 | | | X | X | X | X | X |
| - | 82-19-140-16 | . . Stud, Oval-Head, 0.198"(0.285") | 5 | | | X | X | X | X | X |
| - | 43-13-1-24 | . . Spring Ejector | 8 | | | X | X | X | X | X |
| - | 82-32-101-20 | . . Retainer, Ring, Split #82 Stud | 8 | | | X | X | X | X | X |
| 291 | 8X5/8 | . . Screw (Used with 280A and 290A) | 15 | | | X | X | X | X | X |
| 291 | MS51861-36 | . . Screw (Used with 280A and 290A) (Alternate) | 15 | | | X | X | X | X | X |
| 292≡ | A01789-8Z-1D | . . Nutplate | 15 | | | X | X | X | X | X |
| 300 | 28-12615-1 | . Plate Baffle Assembly | 1 | | | X | X | X | X | X |
| - | 82-35-302-15 | . . Receptacle, Spring, Leaf #82 | 6 | | | X | X | X | X | X |
| - | MS20426A3-4 | . . Rivet, Solid, 3/32" X 1/4" | 12 | | | X | X | X | X | X |
| 310 | 28-12609-3 | . Baffle Plate | 1 | | | X | X | X | X | X |
| - | 82-35-302-15 | . . Receptacle, Spring, Leaf #82 | 1 | | | X | X | X | X | X |
| - | MS21071-06 | . . Nut Plate | 1 | | | X | X | X | X | X |

ENSTROM F-28/280 SERIES ILLUSTRATED PARTS CATALOG

FIGURE 3-20 B. ENGINE FAN SHROUD ASSEMBLY

Early Models

| ITEM NUMBER | PART NUMBER | DESCRIPTION | QTY PER ASSY | MODELS AFFECTED | | | | | | |
|-------------|---------------|---|--------------|-----------------|-----|-------|------|-------|------|-------|
| | | | | F-28A | 280 | F-28C | 280C | F-28F | 280F | 280FX |
| - | MS21069-06 | . . Nut Plate | 1 | | | X | X | X | X | X |
| - | NAS1097AD3-4 | . . Rivet | 2 | | | X | X | X | X | X |
| - | 280-127505-17 | . . Stub Heat Duct | 1 | | | X | X | X | X | X |
| - | MS20470AD3-4 | . . Rivet, Solid, 3/32" X 0.250" | 4 | | | X | X | X | X | X |
| - | NAS1097AD3-3 | . . Rivet | 4 | | | X | X | X | X | X |
| 320 | 28-12617-1 | . Plate Baffle Assembly | 1 | | | X | X | X | X | X |
| - | G-89 | . . Fabric: Fire Curtain, 3/64" Thick (In square yards) | 0.002 | | | X | X | X | X | X |
| - | MS20470A3-3 | . . Rivet, Solid, 3/32" X 0.188" | 6 | | | X | X | X | X | X |
| - | NAS1149FN316P | . . Washer: Flat, #3 (0.016") Light | 6 | | | X | X | X | X | X |
| - | AN960-3 | . . Washer (Superseded by NAS 1149FN316P) | 6 | | | X | X | X | X | X |
| - | MS21069-06 | . . Nut Plate | 5 | | | X | X | X | X | X |
| - | MS20426AD3-3 | . . Rivet, Solid, 3/32" X 3/16" | 10 | | | X | X | X | X | X |
| 330 | 28-126008-3 | . Plate Baffle Assembly | 1 | | | X | X | X | X | X |
| 330 | 28-126008-1 | . Plate Baffle Assembly (Superseded by 28-126008-3) | 1 | | | X | X | X | X | X |
| - | 82-35-302-15 | . . Receptacle, Spring, Leaf #82 | 1 | | | X | X | X | X | X |
| - | MS21069-06 | . . Nut Plate | 3 | | | X | X | X | X | X |
| - | NAS1097AD3-3 | . . Rivet | 2 | | | X | X | X | X | X |
| - | NAS1097AD3-4 | . . Rivet: Solid, 3/32" X 1/4" | 10 | | | X | X | X | X | X |
| - | 28-12608-4 | . . Tab Support | 1 | | | X | X | X | X | X |
| - | 28-12621-1 | . . Bracket Cover | 1 | | | X | X | X | X | X |
| - | 28-181008-1 | . . Ducting Stub | 1 | | | X | X | X | X | X |
| 340 | AN515-6-6 | . Screw, Machine (RH), 6-32 X 0.375" | A/R | | | X | X | X | X | X |
| 350 | NAS1149FN632P | . Washer, Flat #6 Bolt Size | A/R | | | X | X | X | X | X |
| 350 | AN960-6 | . Washer (Superseded by NAS1149FN632P) | A/R | | | X | X | X | X | X |
| 360 | MS35338-41 | . Washer, Lock, #6 (0.031") | A/R | | | X | X | X | X | X |
| 360 | AN935-6 | . Lock Washer (Superseded by MS35338-41) | A/R | | | X | X | X | X | X |

ENSTROM F-28/280 SERIES ILLUSTRATED PARTS CATALOG

FIGURE 3-20 B. ENGINE FAN SHROUD ASSEMBLY

Early Models

| ITEM NUMBER | PART NUMBER | DESCRIPTION | QTY PER ASSY | MODELS AFFECTED | | | | | | |
|-------------|---------------|--|--------------|-----------------|-----|-------|------|-------|------|-------|
| | | | | F-28A | 280 | F-28C | 280C | F-28F | 280F | 280FX |
| 370 | MS35649-262 | . Nut, Hex, 6-32 Light | A/R | | | X | X | X | X | X |
| 370 | AN340-632 | . Nut (Superseded by MS35649-262) | A/R | | | X | X | X | X | X |
| 380 | NP500-456-7 | . Screw, 1/4-20 X 7/16" | 3 | | | X | X | X | X | X |
| 380 | NK500-416-7 | . Screw (Superseded by NP500-456-7) | 3 | | | X | X | X | X | X |
| 390 | NAS1149F0432P | . Washer: Flat, 1/4" (0.032") Light | 3 | | | X | X | X | X | X |
| 390 | AN960-416L | . Washer (Superseded by NAS1149F0432P) | 3 | | | X | X | X | X | X |
| 400 | AN502-10-8 | . Screw | 3 | | | X | X | X | X | X |
| 410 | MS35333-39 | . Lock Washer | 3 | | | X | X | X | X | X |
| 410 | AN936A10 | . Lock Washer (Superseded by MS35333-39) | 3 | | | X | X | X | X | X |
| 420* | 65614 | . Plug, Attaching | 3 | | | X | X | X | X | X |
| 430 | MS35206-244 | . Screw, Machine (RH), 8-32 X 0.438" | 5 | | | X | X | X | X | X |
| 430 | AN515-8R7 | . Screw (Superseded by MS35206-244) | 5 | | | X | X | X | X | X |
| 440 | NAS1149FN816P | . Washer: Flat, #8" (0.016") Light | 5 | | | X | X | X | X | X |
| 440 | AN960-8L | . Washer (Superseded by NAS1149FN816P) | 5 | | | X | X | X | X | X |
| 450 | AN3-3A | . Bolt, Mach, 10-32 X 0.469" | A/R | | | X | X | X | X | X |
| 460 | NAS1149F0432P | . Washer, Flat, #10 (0.032") Light | A/R | | | X | X | X | X | X |
| 460 | AN960-10L | . Washer (Superseded by NAS1149F0332P) | A/R | | | X | X | X | X | X |
| 470 | AN3-4A | . Bolt: Machine, 10-32 X 0.531" | 1 | | | X | X | X | X | X |
| 480 | 28-12619-1 | . Strut Assembly | 1 | | | X | X | X | X | X |
| - | 28-12619-4 | . . Bracket End Lower | 1 | | | | | | | |
| - | 28-12619-5 | . . Plate, End, Fan Shroud Strut | 1 | | | | | | | |
| 490 | 28-12686-11 | . Strut | 1 | | | X | X | X | X | X |
| 500 | AN3-5A | . Bolt, Mach, 10-32 X 0.656" | 1 | | | X | X | X | X | X |
| 510 | NAS1149F0363P | . Washer, Flat, #10 (0.063") | 2 | | | X | X | X | X | X |

ENSTROM F-28/280 SERIES ILLUSTRATED PARTS CATALOG

FIGURE 3-20 B. ENGINE FAN SHROUD ASSEMBLY

Early Models

| ITEM NUMBER | PART NUMBER | DESCRIPTION | QTY PER ASSY | MODELS AFFECTED | | | | | | |
|-------------|---------------|---|--------------|-----------------|-----|-------|------|-------|------|-------|
| | | | | F-28A | 280 | F-28C | 280C | F-28F | 280F | 280FX |
| 510 | AN960-10 | . Washer (Superseded by NAS1149F0363P) | 2 | | | X | X | X | X | X |
| 520 | MS21044N3 | . Nut, Self-Locking | 1 | | | X | X | X | X | X |
| 520 | AN365-1032A | . Nut (Superseded by MS21044N3) | 1 | | | X | X | X | X | X |
| 530 | AN503-416-10 | . Screw, Machine (Flh), 1/4-20 X 0.625" | 6 | | | X | X | X | X | X |
| 530 | AN503-416-28 | . Screw, Machine (Flh), 1/4-20 X 1.750" | 2 | | | X | X | X | X | X |
| 530 | AN503-416-10 | . Screw, Machine (Flh), 1/4-20 X 0.625" (No Auxiliary Cooler) | 8 | | | X | X | | | |
| 540 | NAS1149F0432P | . Washer: Flat, 1/4" (0.032") Light | 8 | | | X | X | X | X | X |
| 540 | AN960-416L | . Washer (Superseded by NAS1149F0432P) | 8 | | | X | X | X | X | X |
| 550 | NAS43HT4-64 | . Spacer | 2 | | | X | X | X | X | X |
| 560 | MS21919WCJ12 | . Clamp, Loop, 3/4" Cushioned | 3 | | | X | X | X | X | X |
| 565 | AN526-1032R8 | . Screw | 1 | | | X | X | X | X | X |
| 570 | MS35206-245 | . Screw: Mach (Ph), 8-32 X 0.500" | 9 | | | X | X | X | X | X |
| 570 | AN515-8R8 | . Screw (Superseded by MS35206-245) | 9 | | | X | X | X | X | X |
| 575 | NAS1149F0332P | . Washer | 1 | | | X | X | X | X | X |
| 580 | NAS1149FN816P | . Washer: Flat, #8" (0.016") Light | 16 | | | X | X | X | X | X |
| 580 | AN960-8L | . Washer (Superseded by NAS1149FN816P) | 16 | | | X | X | X | X | X |
| 585 | AN935-10 | . Lock Washer | 1 | | | X | X | X | X | X |
| 590 | MS35338-42 | . Washer: Lock, 0.040" #8 Light | 7 | | | X | X | X | X | X |
| 590 | AN935-8 | . Lock Washer (Superseded by MS35338-42) | 7 | | | X | X | X | X | X |
| 595 | AN345-10 | . Nut | 1 | | | X | X | X | X | X |
| 600 | MS35649-282 | . Nut: Hex, 8-32 Unc-2b Light | 7 | | | X | X | X | X | X |
| 600 | AN340-8 | . Nut (Superseded by MS35649-282) | 7 | | | X | X | X | X | X |

ENSTROM F-28/280 SERIES ILLUSTRATED PARTS CATALOG

FIGURE 3-20 B. ENGINE FAN SHROUD ASSEMBLY
Early Models

| ITEM NUMBER | PART NUMBER | DESCRIPTION | QTY PER ASSY | MODELS AFFECTED | | | | | | |
|-------------|---------------|--|--------------|-----------------|-----|-------|------|-------|------|-------|
| | | | | F-28A | 280 | F-28C | 280C | F-28F | 280F | 280FX |
| 610 | 280-126001-69 | . Bracket, Clamp, Support | 3 | | | X | X | X | X | X |
| 620 | AN742-F6 | . Clamp | 1 | | | X | X | X | X | X |
| 630 | 4508-2 | . Tape: Foam, 2" W (0.125" T) Black | 82" | | | X | X | X | X | X |

* Obtain from a Lycoming Distributor.

‡ Effectivity F28 S/N 766 - 775 and subsequent. Effectivity 280 S/N 2049 – 2057, and 2059 and subsequent. Retrofittable to F28F S/N 509 and 280FX S/N 2001.

NOTE 1 Parts listed are for 28-12676-1, 28-12676-3 and 28-12676 -5 assemblies unless otherwise noted.

ENSTROM F-28/280 SERIES ILLUSTRATED PARTS CATALOG

INTENTIONALLY LEFT BLANK

ENSTROM F-28/280 SERIES ILLUSTRATED PARTS CATALOG

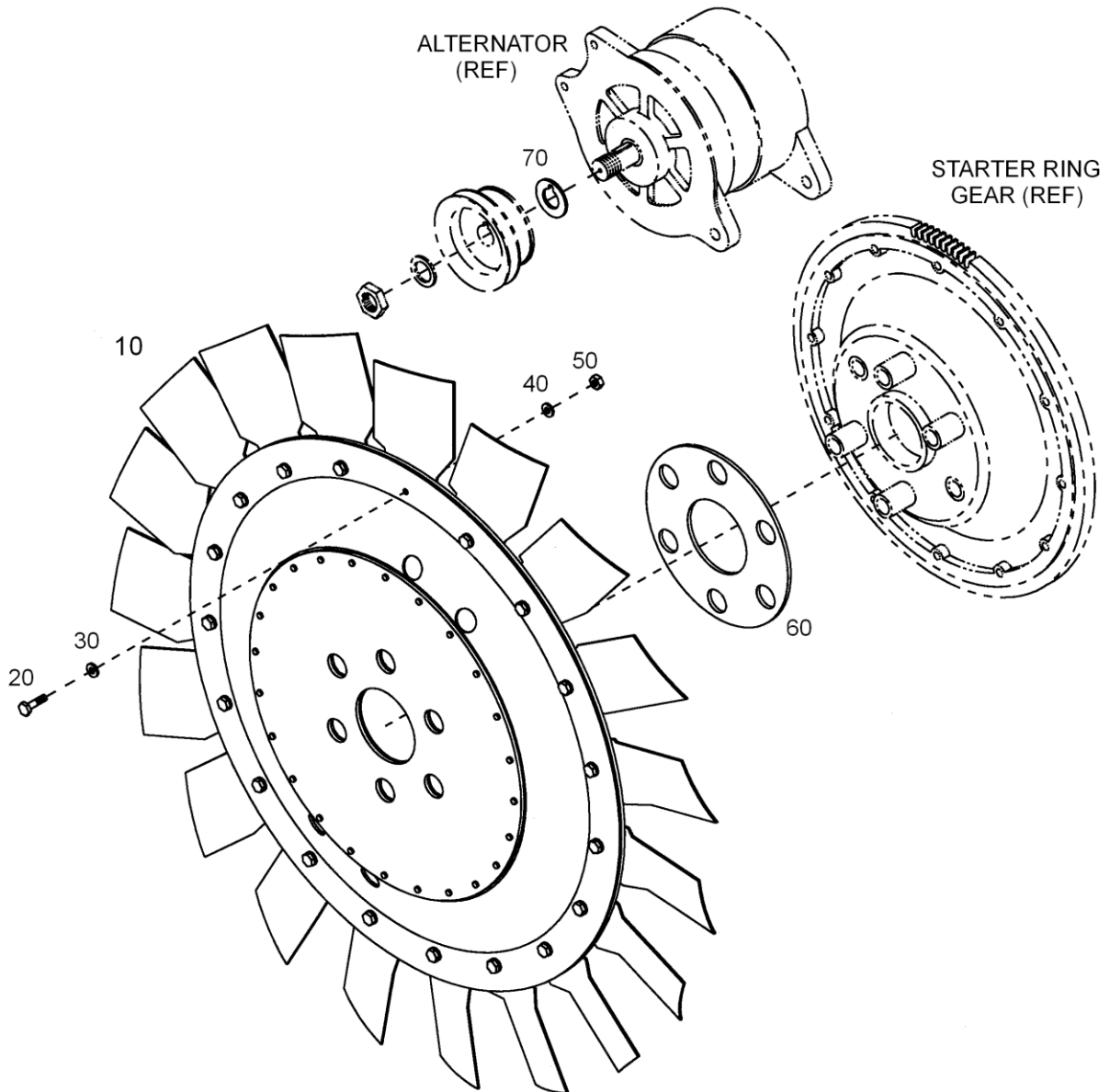


FIGURE 3-21. COOLING FAN AND ALTERNATOR INSTALLATION (ALL MODELS)

ENSTROM F-28/280 SERIES ILLUSTRATED PARTS CATALOG

FIGURE 3-21. COOLING FAN AND ALTERNATOR INSTALLATION (ALL MODELS)

| ITEM NUMBER | PART NUMBER | DESCRIPTION | QTY PER ASSY | MODELS AFFECTED | | | | | | |
|-------------|--------------|------------------------------------|--------------|-----------------|-----|-------|------|-------|------|-------|
| | | | | F-28A | 280 | F-28C | 280C | F-28F | 280F | 280FX |
| 10 | 28-12601-1 | . Fan Assembly | 1 | X | X | X | X | X | X | X |
| - | 28-12603-1 | . . Fan Disk Assembly | 1 | X | X | X | X | X | X | X |
| - | MS20470AD5-7 | . . . Rivet: Solid, 5/32" X 0.438" | 24 | X | X | X | X | X | X | X |
| - | 28-12603-3 | . . . Disc Fan Engine | 1 | X | X | X | X | X | X | X |
| - | 28-12603-4 | . . Stiffener Disk Fan Engine | 1 | X | X | X | X | X | X | X |
| - | 28-12605-1 | . . Ring Blade Assembly | 1 | X | X | X | X | X | X | X |
| - | 28-12642-1 | . . . Ring, Weight, Mass | 1 | X | X | X | X | X | X | X |
| - | 28-12644-1 | . . . Blade, Fan, Engine Cooling | 19 | X | X | X | X | X | X | X |
| - | MS20427M4-7 | . . . Rivet, Solid, 1/8" X 0.438" | 38 | X | X | X | X | X | X | X |
| 20 | AN3-6A | . . Bolt | 19 | X | X | X | X | X | X | X |
| 20* | AN3-5A | . . Bolt | A/R | X | X | X | X | X | X | X |
| 30 | AN960-10 | . . Washer | 19 | X | X | X | X | X | X | X |
| 30* | AN960-10L | . . Washer | A/R | X | X | X | X | X | X | X |
| 40 | AN960-10L | . . Washer | 19 | X | X | X | X | X | X | X |
| 40* | AN960-10 | . . Washer | A/R | X | X | X | X | X | X | X |
| 50 | MS21083N3 | . . Nut | 19 | X | X | X | X | X | X | X |
| 50 | AN364-1032A | . . Nut (Superseded by MS21083N3) | 19 | X | X | X | X | X | X | X |
| 60 | 28-13231-7 | . Shim Drive Pulley | 1 | X | X | X | X | X | X | X |
| 70 | 28-21017-1 | . Spacer, Alternator | 1 | X | X | X | X | X | X | X |
| -** | 37A19773-376 | . Alternator Belt | 1 | X | X | X | X | X | X | X |

* Used as required for balancing the fan assembly.

** Obtain from a Lycoming distributor

ENSTROM F-28/280 SERIES ILLUSTRATED PARTS CATALOG

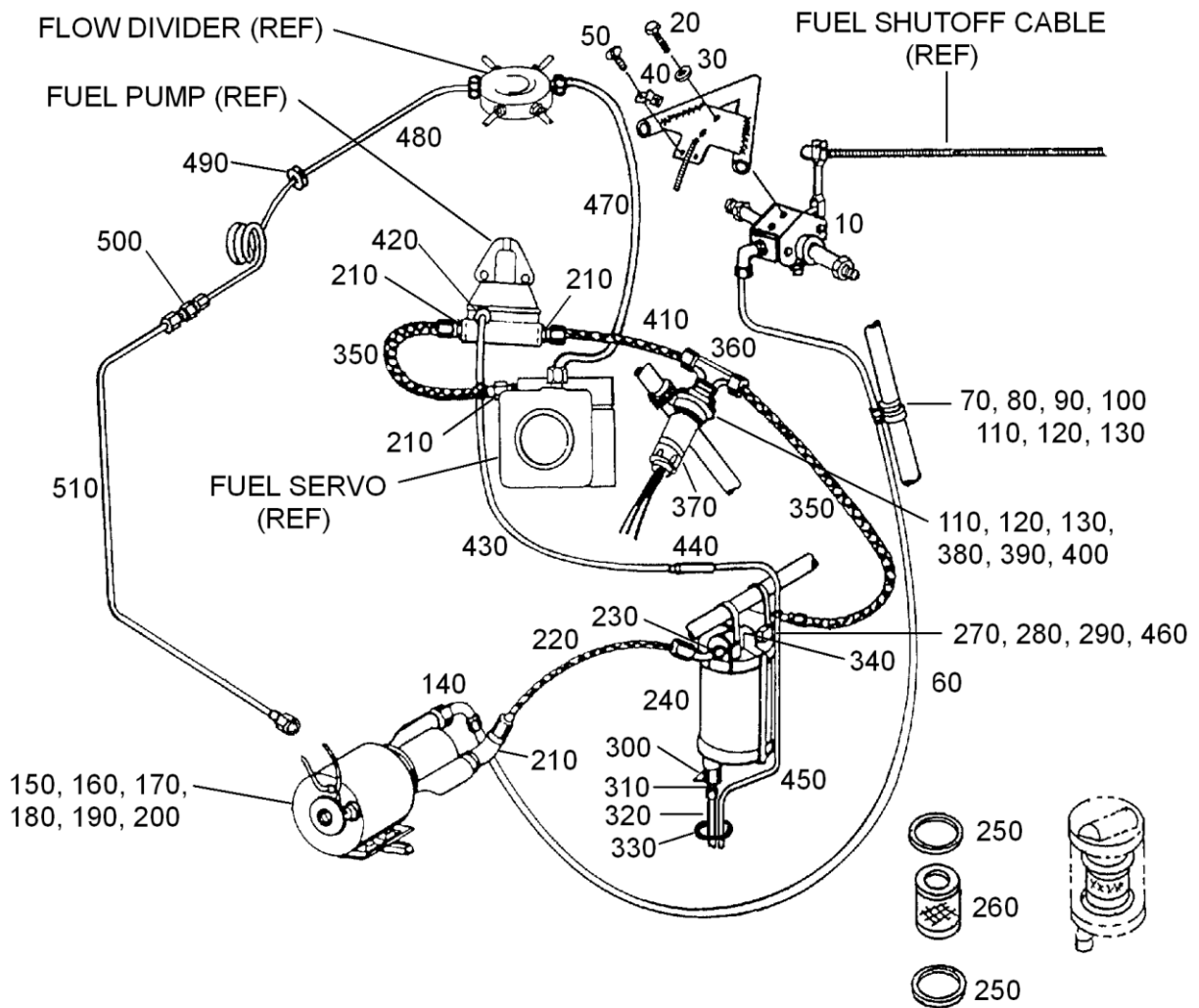


FIGURE 3-22. ENGINE FUEL SYSTEM (A MODELS)

ENSTROM F-28/280 SERIES ILLUSTRATED PARTS CATALOG

FIGURE 3-22. ENGINE FUEL SYSTEM (A MODELS)

| ITEM NUMBER | PART NUMBER | DESCRIPTION | QTY PER ASSY | MODELS AFFECTED | | | | | | |
|-------------|---------------|---|--------------|-----------------|-----|-------|------|-------|------|-------|
| | | | | F-28A | 280 | F-28C | 280C | F-28F | 280F | 280FX |
| 10 | 280-124001-1 | . Fuel Shutoff Valve Assembly (See Fig. 3-25 for breakdown) | 1 | X | X | | | | | |
| 20 | AN3-3A | . Bolt | 2 | X | X | | | | | |
| 30 | AN960-10L | . Washer | 2 | X | X | | | | | |
| 40 | 28-12400-23 | . Bracket | 1 | X | X | | | | | |
| 50 | AN526C832R8 | . Screw | 2 | X | X | | | | | |
| 60 | 28-12100-8 | . Line Assembly (Obsolete) | 1 | X | X | | | | | |
| 60 | 28-12142-1 | . Line Assembly (Obsolete was alternate) | 1 | X | X | | | | | |
| 70 | MS21919WF6 | . Clamp | 1 | X | X | | | | | |
| 80 | MS21919WF12 | . Clamp | 1 | X | X | | | | | |
| 90 | MS21919WF14 | . Clamp | 1 | X | X | | | | | |
| 100 | AN515-8-16 | . Screw, 8-32 X 1 | 1 | X | X | | | | | |
| 100 | AN515-8R16 | . Screw (Superseded by AN515-8-16) | 1 | X | X | | | | | |
| 110 | NAS1149FN816P | . Washer | 6 | X | X | | | | | |
| 110 | AN960-8L | . Washer (Superseded by NAS1149FN816P) | 6 | X | X | | | | | |
| 120 | MS35338-42 | . Lock Washer | 2 | X | X | | | | | |
| 120 | AN935-8 | . Lock Washer (Superseded by MS35338-42) | 2 | X | X | | | | | |
| 130 | MS35649-282 | . Nut, Hex 8-32 UNC-2B | 2 | X | X | | | | | |
| 130 | AN340-8 | . Nut (Superseded by MS35649-282) | 2 | X | X | | | | | |
| 140 | 6-V5OX-S | . Elbow (Obsolete) | 1 | X | X | | | | | |
| - | MS29512-06 | . O-Ring (Obsolete) | 1 | X | X | | | | | |
| 150** | A-8110-G | . Boost Pump | 1 | X | X | | | | | |
| 150* | 8110-CC | . Boost Pump (Obsolete) | 1 | X | X | | | | | |
| 160 | NP500-456-7 | . Screw | 4 | X | X | | | | | |
| 160* | NK500-416-7 | . Screw (Superseded by NP500-456-7) | 4 | X | X | | | | | |
| 160** | AN4-3A | . Bolt | 4 | X | X | | | | | |
| 170* | NAS1149F0432P | . Washer | 12 | X | X | | | | | |

ENSTROM F-28/280 SERIES ILLUSTRATED PARTS CATALOG

FIGURE 3-22. ENGINE FUEL SYSTEM (A MODELS)

| ITEM NUMBER | PART NUMBER | DESCRIPTION | QTY PER ASSY | MODELS AFFECTED | | | | | | |
|-------------|----------------|--|--------------|-----------------|-----|-------|------|-------|------|-------|
| | | | | F-28A | 280 | F-28C | 280C | F-28F | 280F | 280FX |
| 170* | AN960-416L | . Washer (Superseded by NAS1149F0432P) | 12 | X | X | | | | | |
| 170** | NAS1149F0432P | . Washer | 8 | X | X | | | | | |
| 170** | AN960-416L | . Washer (Superseded by NAS1149F0432P) | 8 | X | X | | | | | |
| 180** | MS21083N4 | . Nut | 4 | X | X | | | | | |
| 180** | AN364-428A | . Nut (Superseded by MS21083N4) | 4 | X | X | | | | | |
| 190 ** | 28-12101-11 | . Bracket | 2 | X | X | | | | | |
| 200** | QS200-M40S | . Clamp | 1 | X | X | | | | | |
| 210 | MS51525-B6-8 | . Connector | 4 | X | X | | | | | |
| 210 | 6-F5OX-S | . Connector (Superseded by MS51525-B6-8) | 4 | X | X | | | | | |
| - | MS28778-6 | . . O-Ring | 1 | X | X | | | | | |
| - | MS29512-06 | . . O-Ring (Superseded by MS28778-6) | 1 | X | X | | | | | |
| 220 | 270624141H0080 | . Hose Assembly | 1 | X | X | | | | | |
| 230 | AN816-6 | . Connector | 2 | X | X | | | | | |
| 230 | 6-6FBTX-S | . Connector (Superseded by AN816-6) | 2 | X | X | | | | | |
| 240 | G199-105-4 | . Fuel Strainer Assembly | 1 | X | X | | | | | |
| 250 | 2212A | . . Gasket | 2 | X | X | | | | | |
| 260 | 33-199-916 | . . Filter | 1 | X | X | | | | | |
| - | 33-199-36 | . . Spring Clip | 1 | X | X | | | | | |
| 270 | AN4-13A | . Bolt | 2 | X | X | | | | | |
| 280 | NAS1149F0463P | . Washer | 4 | X | X | | | | | |
| 280 | AN960-416 | . Washer (Superseded by NAS1149F0463P) | 4 | X | X | | | | | |
| 290 | MS21083N4 | . Nut | 2 | X | X | | | | | |
| 290 | AN364-428A | . Nut (Superseded by MS21083N4) | 2 | X | X | | | | | |
| 300 | K9000S-1A | . Drain Valve (Obsolete) | 1 | X | X | | | | | |

ENSTROM F-28/280 SERIES ILLUSTRATED PARTS CATALOG

FIGURE 3-22. ENGINE FUEL SYSTEM (A MODELS)

| ITEM NUMBER | PART NUMBER | DESCRIPTION | QTY PER ASSY | MODELS AFFECTED | | | | | | |
|-------------|---------------|--|--------------|-----------------|-----|-------|------|-------|------|-------|
| | | | | F-28A | 280 | F-28C | 280C | F-28F | 280F | 280FX |
| 310 | AN816-4D | . Connector | 1 | X | X | | | | | |
| 310 | 4-FBTX-D | . Connector (Superseded by AN816-4D) | 1 | X | X | | | | | |
| 320 | 28-12100-10 | . Breather Line | 1 | X | X | | | | | |
| 330 | AN931-8-13 | . Grommet | 1 | X | X | | | | | |
| 340 | MS20913-1D | . Plug (Obsolete) | 1 | X | X | | | | | |
| 350 | 624117-6-0180 | . Hose Assembly | 2 | X | X | | | | | |
| 360 | MS51529B6S | . Tee | 1 | X | X | | | | | |
| 360 | 6-S5OX-S | . Tee (Superseded by MS51529B6S) | 1 | X | X | | | | | |
| - | MS28778-6 | . . O-Ring | 1 | X | X | | | | | |
| - | MS29512-06 | . . O-Ring (Superseded by MS28778-6) | 1 | X | X | | | | | |
| 370 | 8190002 | . Pressure Switch | 1 | X | X | | | | | |
| 380 | MS21919WF16 | . Clamp | 1 | X | X | | | | | |
| 390 | MS21919WF10 | . Clamp | 1 | X | X | | | | | |
| 400 | MS35206-246 | . Screw | 1 | X | X | | | | | |
| 400 | AN515-8R10 | . Screw | 1 | X | X | | | | | |
| 410 | 624100-6-0060 | . Hose Assembly | 1 | X | X | | | | | |
| 420 | MS20823 | . Elbow | 1 | X | X | | | | | |
| 420 | 4-VBTX-S | . Elbow (Superseded by MS20823) | 1 | X | X | | | | | |
| 430 | 624100-4-0120 | . Hose Assembly | 1 | X | X | | | | | |
| 440 | AN815-4 | . Union | 1 | X | X | | | | | |
| 440 | 4-LHBTX-S | . Union (Superseded by AN815-4) | 1 | X | X | | | | | |
| 450 | 28-12146-1 | . Vent Line | 1 | X | X | | | | | |
| 450 | 28-12100-12 | . Vent Line (Superseded by 28-12146-1) | 1 | X | X | | | | | |
| 460 | MS21919WDF3 | . Clamp | 1 | X | X | | | | | |
| 460 | MS9352-03 | . Clamp (Superseded by MS21919WDF3) | 1 | X | X | | | | | |
| 470† | 75386 | . Hose Assembly | 1 | X | X | | | | | |
| 480 | 28-18103-4 | . Fuel Pressure Line | 1 | X | X | | | | | |

ENSTROM F-28/280 SERIES ILLUSTRATED PARTS CATALOG

FIGURE 3-22. ENGINE FUEL SYSTEM (A MODELS)

| ITEM NUMBER | PART NUMBER | DESCRIPTION | QTY PER ASSY | MODELS AFFECTED | | | | | | |
|-------------|--------------|---|--------------|-----------------|-----|-------|------|-------|------|-------|
| | | | | F-28A | 280 | F-28C | 280C | F-28F | 280F | 280FX |
| 480 | 28-18103-3 | . Fuel Pressure Line (Superseded by 28-18103-4) | 1 | X | X | | | | | |
| 480 | 28-181001-11 | . Fuel Pressure Line (Alternate) | 1 | X | X | | | | | |
| 490 | AN931-2-9 | . . Grommet | 1 | X | X | | | | | |
| 500 | AN919-1 | . Reducer | 1 | X | X | | | | | |
| 510 | 28-18103-5 | . Fuel Pressure Line (Obsolete) | 1 | X | X | | | | | |
| 510† | 28-181002-1 | . Fuel Pressure Line | 1 | X | X | | | | | |

* Early production aircraft

** Later production aircraft, parts retrofittable to early production aircraft.

† Obtain from Lycoming Distributor.

‡ Use with P/N 28-181001-11

ENSTROM F-28/280 SERIES ILLUSTRATED PARTS CATALOG

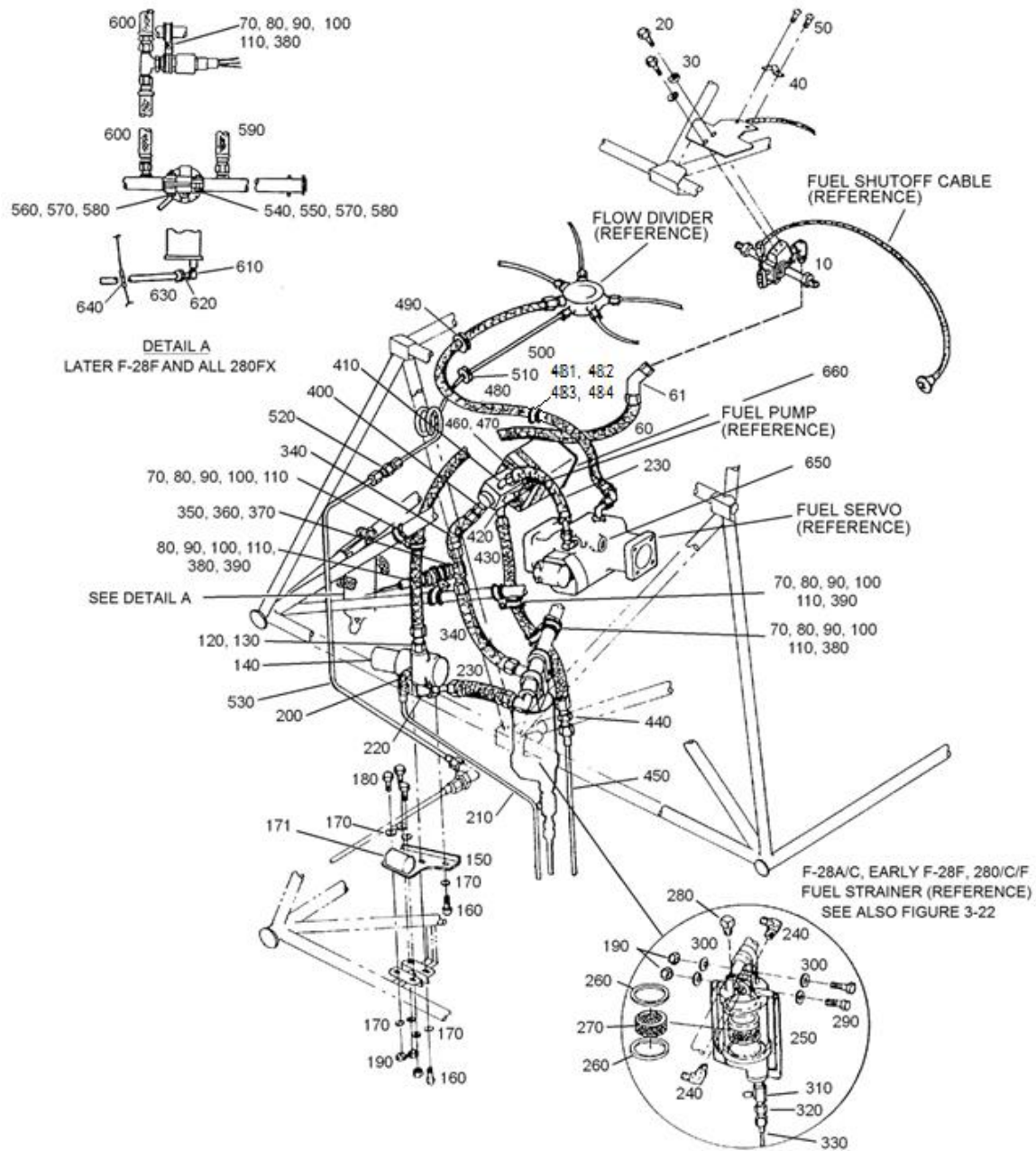


FIGURE 3-23. ENGINE FUEL SYSTEM (C, F MODELS)

ENSTROM F-28/280 SERIES ILLUSTRATED PARTS CATALOG

FIGURE 3-23. ENGINE FUEL SYSTEM (C, F MODELS)

| ITEM NUMBER | PART NUMBER | DESCRIPTION | QTY PER ASSY | MODELS AFFECTED | | | | | | |
|-------------|---------------|--|--------------|-----------------|-----|-------|------|-------|------|-------|
| | | | | F-28A | 280 | F-28C | 280C | F-28F | 280F | 280FX |
| 10 | 280-124001-1 | . Fuel Shutoff Valve Assembly (See Fig. 3-25 for breakdown) | 1 | | | X | X | X | X | X |
| 20 | AN3-4A | . Bolt | 2 | | | X | X | X | X | X |
| 30 | AN960-10 | . Washer | 2 | | | X | X | X | X | X |
| 40 | 28-12400-23 | . Bracket | 1 | | | X | X | X | X | X |
| 50 | AN525-832R8 | . Screw | 2 | | | X | X | X | X | X |
| 60 | 28-12464-3 | . Fuel Line Assembly | 1 | | | X | X | X | X | X |
| - | AN815-6 | . . Union | 1 | | | X | X | X | X | X |
| - | 28-124003-19 | . . Hose Assembly | 1 | | | X | X | X | X | X |
| 61 | 28-124002-3 | . . Line Assembly | 1 | | | X | X | X | X | X |
| 70* | MS21919WCJ12 | . Clamp | 4 | | | X | X | X | X | X |
| 80 | MS35206-246 | . Screw | 3 | | | X | X | X | X | X |
| 80 | AN515-8R10 | . Screw (Superseded by MS35206-246) | 3 | | | X | X | X | X | X |
| 90 | NAS1149FN816P | . Washer | 6 | | | X | X | X | X | X |
| 90 | AN960-8L | . Washer (Superseded by NAS1149FN816P) | 6 | | | X | X | X | X | X |
| 100 | MS35338-42 | . Lock Washer | 3 | | | X | X | X | X | X |
| 100 | AN935-8 | . Lock Washer (Superseded by MS35338-42) | 3 | | | X | X | X | X | X |
| 110 | MS35649-282 | . Nut | 3 | | | X | X | X | X | X |
| 110 | AN340-8 | . Nut (Superseded by MS35649-282) | 3 | | | X | X | X | X | X |
| 120 | MS51525B6-8Z | . Adapter | 1 | | | X | X | X | X | X |
| 120 | 6-8 F5OX-S | . Adapter (Alternate) | 1 | | | X | X | X | X | X |
| 130♦ | MS28778-12 | . O-Ring | 1 | | | X | X | X | X | X |
| 140 | A-10019-D | . Boost Pump, 12 VDC | 1 | | | X | X | X | X | X |
| 140 | A-10019-E | . Boost Pump, 24 VDC | 1 | | | X | X | X | X | X |
| 150 | 28-124006-11 | . Bracket, Boost Pump | 1 | | | X | X | X | X | X |
| 160 | NP500-465-7 | . Screw | 2 | | | X | X | X | X | X |
| 160 | AN500-416-7 | . Screw (Superseded by NP500-465-7) | 2 | | | X | X | X | X | X |

ENSTROM F-28/280 SERIES ILLUSTRATED PARTS CATALOG

FIGURE 3-23. ENGINE FUEL SYSTEM (C, F MODELS)

| ITEM NUMBER | PART NUMBER | DESCRIPTION | QTY PER ASSY | MODELS AFFECTED | | | | | | |
|-------------|---------------|--|--------------|-----------------|-----|-------|------|-------|------|-------|
| | | | | F-28A | 280 | F-28C | 280C | F-28F | 280F | 280FX |
| 170 | AN960-416L | . Washer | 8 | | | X | X | X | X | X |
| 171 | 48P6 | . Filter, RFI | 1 | | | X | X | X | X | X |
| 180 | AN4-3A | . Bolt | 3 | | | X | X | X | X | X |
| 190 | AN364-428A | . Nut | 7 | | | X | X | X | X | X |
| 190 | MS21083N4 | . Nut (Alternate) | 7 | | | X | X | X | X | X |
| 200 | MS20822-4 | . Elbow | 1 | | | X | X | X | X | X |
| 210 | 28-123018-1 | . Line Assembly | 1 | | | X | X | X | X | X |
| 220 | 849-FSO-06-08 | . Adapter | 1 | | | X | X | X | X | X |
| 230 | 28-12462-1 | . Hose Assembly | 2 | | | X | X | X | X | X |
| 240 | MS20822-6-6 | . Elbow | 2 | | | X | X | X | X | X |
| 250 | G199-105-4 | . Fuel Strainer Assembly | 1 | | | X | X | X | X | X |
| 260 | 2212A | . Gasket | 2 | | | X | X | X | X | X |
| 270 | 33-199-916 | . Filter | 1 | | | X | X | X | X | X |
| - | 33-199-36 | . Spring Clip | 1 | | | X | X | X | X | X |
| 280 | MS20913-1 | . Plug | 1 | | | X | X | X | X | X |
| 290 | AN4-13A | . Bolt | 2 | | | X | X | X | X | X |
| 300 | NAS1149F0463P | . Washer | 4 | | | X | X | X | X | X |
| 300 | AN960-416 | . Washer (Superseded by NAS1149F0463P) | 4 | | | X | X | X | X | X |
| 310 | CAV-110R | . Drain Valve | 1 | | | X | X | X | X | X |
| 320 | AN816-4D | . Fitting | 1 | | | X | X | X | X | X |
| 330 | 28-12400-910 | . Drain Line Assembly | 1 | | | X | X | X | X | X |
| 340 | 28-12461-1 | . Hose Assembly | 2 | | | X | X | X | X | X |
| 350 | MS51529B6S | . Tee | 1 | | | X | X | X | X | X |
| 360 | MS28778-6 | . O-Ring | 1 | | | X | X | X | X | X |
| 370 | 8190042 | . Fuel Pressure Switch | 1 | | | X | X | X | X | X |
| 380 | MS21919WCJ16 | . Clamp | 2 | | | X | X | X | X | X |
| 390 | MS21919WCJ10 | . Clamp | 2 | | | X | X | X | X | X |
| 400 | AN816-6 | . Adapter | 1 | | | X | X | X | X | X |
| 410 | MS20823-6 | . Elbow | 1 | | | X | X | X | X | X |

ENSTROM F-28/280 SERIES ILLUSTRATED PARTS CATALOG

FIGURE 3-23. ENGINE FUEL SYSTEM (C, F MODELS)

| ITEM NUMBER | PART NUMBER | DESCRIPTION | QTY PER ASSY | MODELS AFFECTED | | | | | | |
|-------------|----------------|---|--------------|-----------------|-----|-------|------|-------|------|-------|
| | | | | F-28A | 280 | F-28C | 280C | F-28F | 280F | 280FX |
| 420 | MS20823-4 | . Elbow | 1 | | | X | X | X | X | X |
| 430 | 28-124003-13 | . Hose Assembly | 1 | | | X | X | X | X | X |
| 440 | AN815-4 | . Union | 1 | | | X | X | X | X | X |
| 450 | 28-12146-1 | . Line Assembly | 1 | | | X | X | X | X | X |
| 460 | AN75A41 | . Bolt | 4 | | | X | X | X | X | X |
| 470 | AN960-516 | . Washer | 4 | | | X | X | X | X | X |
| 470 | AN960-516 | . Washer | 4 | | | X | X | X | X | X |
| 480† | LW-12878-4S260 | . Hose Assembly | 1 | | | X | X | X | X | X |
| 480 | 28-12463-1 | . Hose Assembly (Superseded by LW-12878-4S260) | 1 | | | X | X | X | X | X |
| 481 | MS21919WCJ10 | . Clamp | 1 | | | X | X | X | X | X |
| 482 | MS35206-245 | . Screw | 1 | | | X | X | X | X | X |
| 483 | NAS1149FN816P | . Washer | 1 | | | X | X | X | X | X |
| 484Δ | 28-124005-1 | . Clip Assembly | 1 | | | X | X | X | X | X |
| 490 | AN931-12-20 | . Grommet | 1 | | | X | X | X | X | X |
| 500‡ | 28-181001-3 | . Fuel Pressure Line | 1 | | | | | X | | X |
| 500 | 28-181001-11 | . Fuel Pressure Line Assembly (Superseded by 28-181001-3) | 1 | | | X | X | X | X | X |
| 510 | AN931-2-9 | . . Grommet | 1 | | | X | X | X | X | X |
| 520 | AN919-1S | . Reducer | 1 | | | X | X | X | X | X |
| 530 | 28-181002-1 | . Fuel Pressure Line Assembly | 1 | | | X | X | X | X | X |
| 540** | 28-12480-1 | . Fuel Strainer Clamp | 1 | | | | | X | | X |
| 550** | AN3-11A | . Bolt | 1 | | | | | X | | X |
| 560** | AN3-14A | . Bolt | 1 | | | | | X | | X |
| 570** | NAS1149F0363P | . Washer | 4 | | | | | X | | X |
| 570** | AN960-10 | . Washer (Superseded by NAS1149F0363P) | 4 | | | | | X | | X |
| 580** | MS21044N3 | . Nut | 2 | | | | | X | | X |
| 580** | AN365-1032A | . Nut (Superseded by MS21044N3) | 2 | | | | | X | | X |

ENSTROM F-28/280 SERIES ILLUSTRATED PARTS CATALOG

FIGURE 3-23. ENGINE FUEL SYSTEM (C, F MODELS)

| ITEM NUMBER | PART NUMBER | DESCRIPTION | QTY PER ASSY | MODELS AFFECTED | | | | | | |
|-------------|-------------|---|--------------|-----------------|-----|-------|------|-------|------|-------|
| | | | | F-28A | 280 | F-28C | 280C | F-28F | 280F | 280FX |
| - | MS20995C32 | . Safety Wire | A/R | | | | | X | | X |
| 590** | 28-12462-3 | . Hose Assembly | 1 | | | | | X | | X |
| 600** | 28-12461-3 | . Hose Assembly | 2 | | | | | X | | X |
| 610** | AN914-1D | . Elbow | 1 | | | | | X | | X |
| 620** | CAV-110RV | . Drain Valve (Preferred) | 1 | | | | | X | | X |
| 620** | CAV-110R | . Drain Valve (Acceptable Alternate) | 1 | | | | | X | | X |
| 620** | CAV-110H-U | . Drain Valve (Obsolete) | 1 | | | | | X | | X |
| 630** | 28-12133-11 | . Hose | 1 | | | | | X | | X |
| 640** | CGP-2 | . Grommet Strip | A/R | | | | | X | | X |
| 640** | GS-3 | . Grommet Strip (Obsolete) | A/R | | | | | X | | X |
| 650 | 951789 | . O-ring, Finger Screen Plug | 1 | | | | | X | | X |
| 660 | 02A21376 | . Elbow Fitting, Restricted (Engine Driven Fuel Pump) | 1 | | | | | X | | X |
| - | MS28034-1 | . Temperature Sensor | 1 | | | | | X | | X |

* Quantity is five (5) with relocated fuel strainer assembly.

** Used on F-28F, S/N 746 and subsequent; 280FX, S/N 2012 and subsequent. Retrofittable to earlier serial number aircraft.

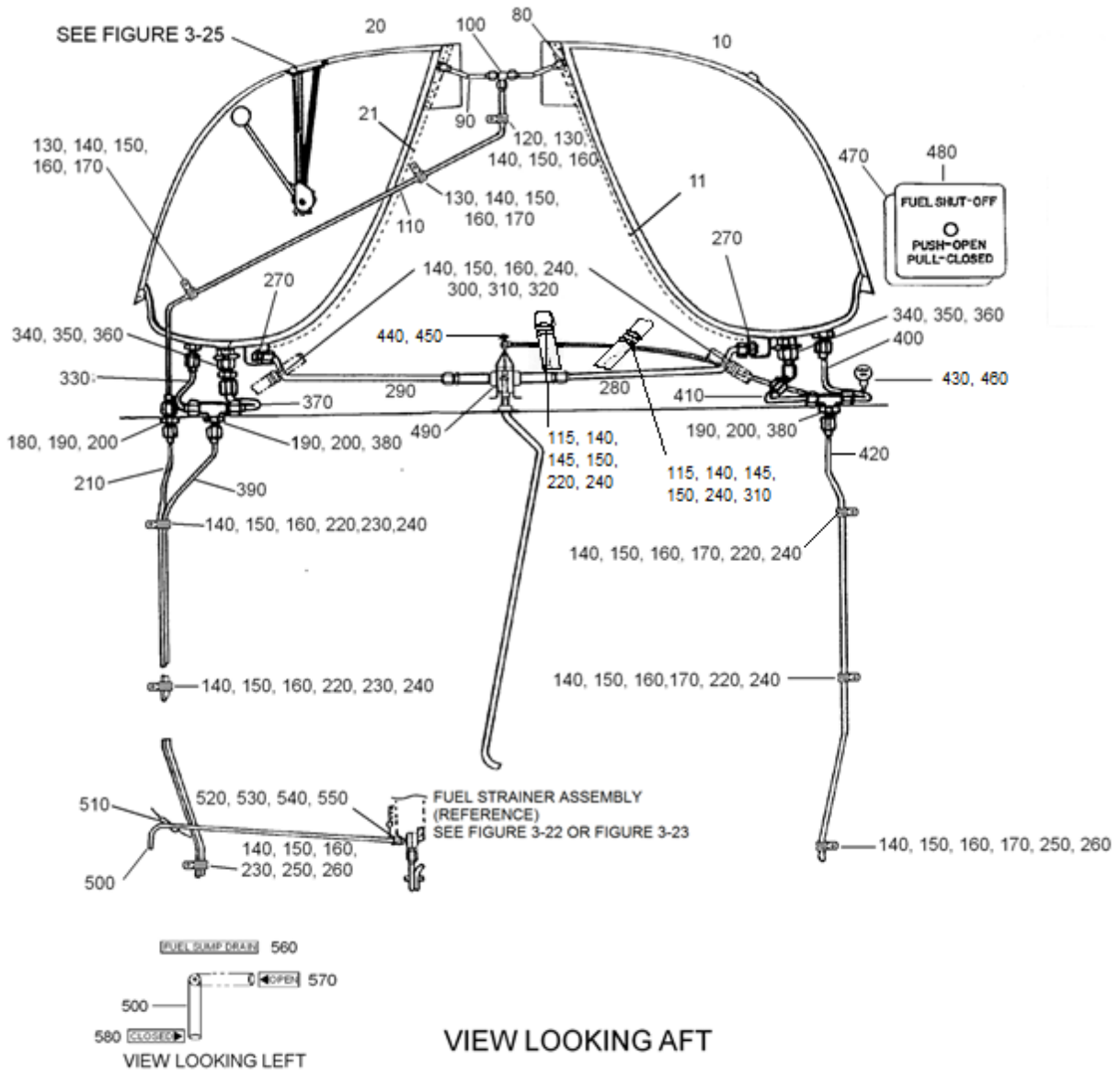
† Order from your Lycoming Distributor.

‡ Effectivity F28F S/N 832 – subsequent and 280FX S/N 2142 – subsequent. Retrofittable to F28F S/N 509 – subsequent and 280FX S/N 2001 – subsequent.

◆ An O-Ring is supplied when using P/N 6-8 F50X-S.

△ The clip assembly installs to the magneto attachment stud.

ENSTROM F-28/280 SERIES ILLUSTRATED PARTS CATALOG



Sheet 1 of 2

FIGURE 3-24. MAIN FUEL SYSTEM

ENSTROM F-28/280 SERIES ILLUSTRATED PARTS CATALOG

FIGURE 3-24. MAIN FUEL SYSTEM

| ITEM NUMBER | PART NUMBER | DESCRIPTION | QTY PER ASSY | MODELS AFFECTED | | | | | | |
|-------------|----------------|---|--------------|-----------------|-----|-------|------|-------|------|-------|
| | | | | F-28A | 280 | F-28C | 280C | F-28F | 280F | 280FX |
| 10♦♦ | 280-124301-901 | . Fuel Tank Assembly, 20 Gal. (Left Side) | 1 | X | X | X | X | X | X | X |
| 10 | 280-124301-1 | . Fuel Tank Assembly, 20 Gal. (Left Side) (Superseded by 280-124301-901) | 1 | X | X | X | X | X | X | X |
| 10 | 28-12401-1 | . Fuel Tank Assembly, 15 Gal. (Left Side) Obsolete | 1 | X | | | | | | |
| 11 | 28-12429-3 | . Bag: Scupper, L/H Fuel Tank | 1 | X | X | X | X | X | X | X |
| - | 280-124301-15 | . . Fuel Tank Skin, L/H | 1 | X | X | X | X | X | X | X |
| 20♦♦ | 280-124301-902 | . Fuel Tank Assembly, 20 Gal. (Right Side) | 1 | X | X | X | X | X | X | X |
| 20 | 280-124301-2 | . Fuel Tank Assembly, 20 Gal. (Right Side) (Superseded by 280-124301-902) | 1 | X | X | X | X | X | X | X |
| 20 | 28-12401-2 | . Fuel Tank Assembly, 15 Gal. (Right Side) Obsolete | 1 | X | | | | | | |
| 21 | 28-12429-4 | . Bag: Scupper, R/H Fuel Tank | 1 | X | X | X | X | X | X | X |
| - | 280-124301-16 | . . Fuel Tank Skin, R/H | 1 | X | X | X | X | X | X | X |
| 30 | 28-12422-1 | . . Fuel Cap and Retainer Assy. | 1 | X | X | X | X | X | X | X |
| - | 28-12421-1 | . . . Fuel Cap Retainer | 1 | X | X | X | X | X | X | X |
| - | 1061 | . . . Fuel Cap Gasket | 1 | X | X | X | X | X | X | X |
| 40 | NP525-10R10 | . Screw | A/R | X | X | X | X | X | X | X |
| 40 | NK525-10R10 | . Screw (Superseded by NP525-10R10) | A/R | X | X | X | X | X | X | X |
| 40 | NP525-10R12 | . Screw | A/R | X | X | X | X | X | X | X |
| 40 | NK525-10R12 | . Screw (Superseded by NP525-10R12) | A/R | X | X | X | X | X | X | X |
| 50 | 28-12400-16 | . Shim | A/R | X | X | X | X | X | X | X |
| 60 | S10P-175 | . PlusNut | 32 | X | | X | | X | | |
| 60 | S10P-175 | . PlusNut | 30 | | X | | X | | X | X |
| 60 | S10P-320 | . PlusNut | 2 | | X | | X | | X | X |
| 70* | AN936A516 | . Lock Washer | 14 | X | X | X | X | X | X | X |
| 70* | AN936A516 | . Lock Washer | 14 | X | X | X | X | X | X | X |
| 80 | AN818-4D | . Nut | 2 | X | X | X | X | X | X | X |

ENSTROM F-28/280 SERIES ILLUSTRATED PARTS CATALOG

FIGURE 3-24. MAIN FUEL SYSTEM

| ITEM NUMBER | PART NUMBER | DESCRIPTION | QTY PER ASSY | MODELS AFFECTED | | | | | | |
|-------------|---------------|--|--------------|-----------------|-----|-------|------|-------|------|-------|
| | | | | F-28A | 280 | F-28C | 280C | F-28F | 280F | 280FX |
| - | MS20819-4D | . Sleeve | 2 | X | X | X | X | X | X | X |
| 90 | 28-12400-919 | . Vent Line | 2 | X | X | X | X | X | X | X |
| 100 | AN824-4D | . Tee | 1 | X | X | X | X | X | X | X |
| 100 | 4JBTX-D | . Tee (Superseded by AN824-4D) | 1 | X | X | X | X | X | X | X |
| 110 | 28-12440-1 | . Upper Vent Line Assembly | 1 | X | X | X | X | X | X | X |
| 115Δ | MS21919WCJ3 | . Clamp | 2 | X | X | X | X | X | X | X |
| 120 | 786-4 | . Adel Clamp | 1 | X | X | X | X | X | X | X |
| 120 | 786-4-CU | . Adel Clamp (Superseded by 786-4) | 1 | X | X | X | X | X | X | X |
| - | AN743-13 | . Clip | 1 | X | X | X | X | X | X | X |
| 130 | MS35206-245 | . Screw | 4 | X | X | X | X | X | X | X |
| 140Δ | MS35649-282 | . Nut | 16 | X | X | X | X | X | X | X |
| 140Δ | AN340-8 | . Nut (Superseded by MS35649-282) | 16 | X | X | X | X | X | X | X |
| 145Δ | NAS1149FN832P | . Washer | 2 | X | X | X | X | X | X | X |
| 150Δ | MS35338-42 | . Lock Washer | 16 | X | X | X | X | X | X | X |
| 150Δ | AN935-8 | . Lock Washer (Superseded by MS35338-42) | 16 | X | X | X | X | X | X | X |
| 160 | NAS1149FN816P | . Washer | 28 | X | X | X | X | X | X | X |
| 160 | AN960-8L | . Washer (Superseded by NAS1149FN816P) | 28 | X | X | X | X | X | X | X |
| 170 | MS21919WCJ4 | . Clamp | 5 | X | X | X | X | X | X | X |
| 180 | AN832-4 | . Union | 1 | X | X | X | X | X | X | X |
| 180 | AN832-4D | . Union (Superseded by AN832-4) | 1 | X | X | X | X | X | X | X |
| 180 | 4WBTX-S | . Union (Superseded by AN832-4D) | 1 | X | X | X | X | X | X | X |
| 190 | AN924-4 | . Nut | 3 | X | X | X | X | X | X | X |
| 200 | NAS1149F0732P | . Washer | 6 | X | X | X | X | X | X | X |
| 210 | 28-12438-3 | . Lower Vent Line Assembly | 1 | X | X | X | X | X | X | X |
| 220 | MS21919WCJ12 | . Clamp | 5 | X | X | X | X | X | X | X |
| 230 | 444-4-2-6 | . Adel Clamp | 3 | X | X | X | X | X | X | X |
| 240Δ | MS35206-246 | . Screw | 10 | X | X | X | X | X | X | X |

ENSTROM F-28/280 SERIES ILLUSTRATED PARTS CATALOG

FIGURE 3-24. MAIN FUEL SYSTEM

| ITEM NUMBER | PART NUMBER | DESCRIPTION | QTY PER ASSY | MODELS AFFECTED | | | | | | |
|-------------|---------------|---|--------------|-----------------|-----|-------|------|-------|------|-------|
| | | | | F-28A | 280 | F-28C | 280C | F-28F | 280F | 280FX |
| 240Δ | AN515-8R10 | . Screw (Superseded by MS35206-246) | 10 | X | X | X | X | X | X | X |
| 250 | AN525-832R18 | . Screw | 2 | X | X | X | X | X | X | X |
| 260 | 28-12400-12 | . Spacer | 2 | X | X | X | X | X | X | X |
| 270 | AN816-6D | . Union | 2 | X | X | X | X | X | X | X |
| 270 | 6-6FBTX-D | . Adapter (Superseded by AN816-6D) | 2 | X | X | X | X | X | X | X |
| 280 | 28-12453-1 | . Fuel Line (Left Side) | 1 | X | X | X | X | X | X | X |
| - | AN743-13 | . Clip | 1 | X | X | X | X | X | X | X |
| - | MS35206-245 | . Screw | 1 | X | X | X | X | X | X | X |
| - | NAS1149FN816P | . Washer | 1 | X | X | X | X | X | X | X |
| - | MS35338-42 | . Lock Washer | 1 | X | X | X | X | X | X | X |
| - | MS35649-282 | . Nut | 1 | X | X | X | X | X | X | X |
| 290 | 28-12452-1 | . Fuel Line (Right Side) | 1 | X | X | X | X | X | X | X |
| - | AN743-13 | . Clip | 1 | X | X | X | X | X | X | X |
| - | MS35206-245 | . Screw | 1 | X | X | X | X | X | X | X |
| - | NAS1149FN816P | . Washer | 1 | X | X | X | X | X | X | X |
| - | MS35338-42 | . Lock Washer | 1 | X | X | X | X | X | X | X |
| - | MS35649-282 | . Nut | 1 | X | X | X | X | X | X | X |
| 300 | MS21919WCJ6 | . Clamp | 2 | X | X | X | X | X | X | X |
| 310Δ | MS21919WCJ14 | . Clamp | 3 | X | X | X | X | X | X | X |
| 320 | AN743-13 | . Clip | 2 | X | X | X | X | X | X | X |
| 330 | 28-12458-1 | . Drain Line, Scupper Right | 1 | X | X | X | X | X | X | X |
| 330** | 28-12439-1 | . Drain Line (Superseded by 28-12458-1) | 1 | X | X | X | X | | | |
| 340 | 28-12460-1 | . Valve Assembly (Spring loaded flip open) | 2 | X | X | X | X | X | X | X |
| 340 | K-9000S-1A | . Valve - Spring loaded twist open (Superseded by 28-12460-1) | 2 | X | X | X | X | | | |
| 350** | MS20812-4D | . Elbow (Left Side) | 1 | X | X | X | X | | | |
| 350** | AN823-4D | . Elbow (Left Side) (Superseded by MS20812-4D) | 1 | X | X | X | X | | | |

ENSTROM F-28/280 SERIES ILLUSTRATED PARTS CATALOG

FIGURE 3-24. MAIN FUEL SYSTEM

| ITEM NUMBER | PART NUMBER | DESCRIPTION | QTY PER ASSY | MODELS AFFECTED | | | | | | |
|-------------|---------------|------------------------------------|--------------|-----------------|-----|-------|------|-------|------|-------|
| | | | | F-28A | 280 | F-28C | 280C | F-28F | 280F | 280FX |
| 350** | AN816-4D | . Adapter (Right Side) | 1 | X | X | X | X | | | |
| 350 | AN822-4D | . Elbow | 2 | X | X | X | X | X | X | X |
| 360 | AN911-1D | . Nipple | 2 | X | X | X | X | X | X | X |
| 360 | AN911-4D | . Nipple (Superseded by AN911-1D) | 2 | X | X | X | X | X | X | X |
| 370 | 28-12459-1 | . Drain Line, Right | 1 | X | X | X | X | X | X | X |
| 370** | 28-12451-1 | . Drain Line (Obsolete) | 1 | X | X | X | X | | | |
| 380 | AN834-4 | . Tee | 2 | X | X | X | X | X | X | X |
| 380 | AN834-4D | . Tee (Alternate) | 2 | X | X | X | X | X | X | X |
| 390 | 28-12441-3 | . Fuel Tank RH Drain Line Assembly | 1 | X | X | X | X | X | X | X |
| - | MS35489-14 | . Grommet | 1 | X | X | X | X | X | X | X |
| 400** | 28-12436-1 | . Drain Line (Obsolete) | 1 | X | X | X | X | | | |
| 400 | 28-12456-1 | . Drain Line, Scupper Left | 1 | X | X | X | X | X | X | X |
| 410** | 28-12436-1 | . Drain Line (Obsolete) | 1 | X | X | X | X | | | |
| 410 | 28-12457-1 | . Drain Line, Left | 1 | X | X | X | X | X | X | X |
| 420 | 28-12437-3 | . Fuel Tank LH Drain Line Assembly | 1 | X | X | X | X | X | X | X |
| - | MS35489-10 | . Grommet | 1 | X | X | X | X | X | X | X |
| 430 | 64-632-74 | . Fuel Shutoff Cable | 1 | X | X | X | X | X | X | X |
| -◆ | MS21919WDG3 | . Clamp | 4 | X | X | X | X | X | X | X |
| -◆ | MS21919WDG12 | . Clamp | 4 | X | X | X | X | X | X | X |
| -◆ | MS35206-245 | . Screw | 4 | X | X | X | X | X | X | X |
| -◆ | NAS1149FN816P | . Washer | 8 | X | X | X | X | X | X | X |
| -◆ | MS35338-42 | . Lock Washer | 4 | X | X | X | X | X | X | X |
| -◆ | MS35649-282 | . Nut | 4 | X | X | X | X | X | X | X |
| 440 | ECD093-11 | . Stop Nut | 1 | X | X | X | X | X | X | X |
| 450 | 1/8X8-32 | . Set Screw | 1 | X | X | X | X | X | X | X |
| 460 | AN316-12R | . Nut | 1 | X | X | X | X | X | X | X |
| 460 | AN316-12 | . Nut (Superseded by AN316-12R) | 1 | X | X | X | X | X | X | X |

ENSTROM F-28/280 SERIES ILLUSTRATED PARTS CATALOG

FIGURE 3-24. MAIN FUEL SYSTEM

| ITEM NUMBER | PART NUMBER | DESCRIPTION | QTY PER ASSY | MODELS AFFECTED | | | | | | |
|-------------|---------------|--|--------------|-----------------|-----|-------|------|-------|------|-------|
| | | | | F-28A | 280 | F-28C | 280C | F-28F | 280F | 280FX |
| 470 | 28-12416-4 | . Plate | 1 | X | X | X | X | X | X | X |
| 480 | 28-12416-3 | . Placard Fuel Shutoff | 1 | X | X | X | X | X | X | X |
| 490 | 280-124001-1 | . Fuel Shutoff Valve Assembly (See Fig. 3-26 for breakdown) | 1 | X | X | X | X | X | X | X |
| 500† | 28-12418-1 | . Control Handle, Drain | 1 | X | X | X | X | X | X | X |
| 510† | AN931-4-16 | . Grommet | 1 | X | X | X | X | X | X | X |
| 520† | 28-12419-1 | . Sleeve | 1 | X | X | X | X | X | X | X |
| 530† | MS24665-153 | . Cotter Pin | 1 | X | X | X | X | X | X | X |
| 530† | AN381-2-12 | . Cotter Pin (Superseded by MS24665-153) | 1 | X | X | X | X | X | X | X |
| 540† | NAS1149F0332P | . Washer | 1 | X | X | X | X | X | X | X |
| 540† | AN960-10L | . Washer (Superseded by NAS1149F0332P) | 1 | X | X | X | X | X | X | X |
| 550† | 62 | . Cowling Lock Pin | 1 | X | X | X | X | X | X | X |
| 560† | 28-12420-15 | . Placard, Fuel Sump Drain | 1 | X | X | X | X | X | X | X |
| 570† | 28-12420-13 | . Placard, Open Fuel | 1 | X | X | X | X | X | X | X |
| 580† | 28-12420-11 | . Placard, Closed Fuel | 1 | X | X | X | X | X | X | X |
| 590 | 28-12450-11 | . Placard Red (Obsolete) | 2 | X | | | | | | |
| 590 | 28-12450-13 | . Placard White (Obsolete) | 2 | X | | | | | | |
| 600 | 28-12433-1 | . Placard (Red), 20 Gallon | 2 | X | X | X | X | X | X | X |
| 600 | 28-12433-2 | . Placard (White), Fuel Cap | 2 | X | X | X | X | X | X | X |
| 610‡ | 28-12424-1 | . Placard, Sight Gauge | 2 | X | X | X | X | X | X | |
| 620‡ | 28-12465-1 | . Placard, Fuel Tank Capacity | 2 | X | X | X | X | X | X | |
| 630 | 28-12478-11 | . Stick: Fuel Quantity | 1 | X | X | X | X | X | X | X |

- * Used with the PlusNuts in the aft cowl ring.
- ** Used with valve P/N K-9000S-1A.
- † Used on F-28F S/N 746 and prior and 280FX S/N 2012 and prior.
- ‡ Used with 20 gal. tanks. Sight window no longer manufactured after April 1984.
- △ This location is for R.H. pilot command only; remove one piece of hardware.
- ◆ Secures fuel shutoff cable to pylon.
- ◆◆ Includes Item 340.

ENSTROM F-28/280 SERIES ILLUSTRATED PARTS CATALOG

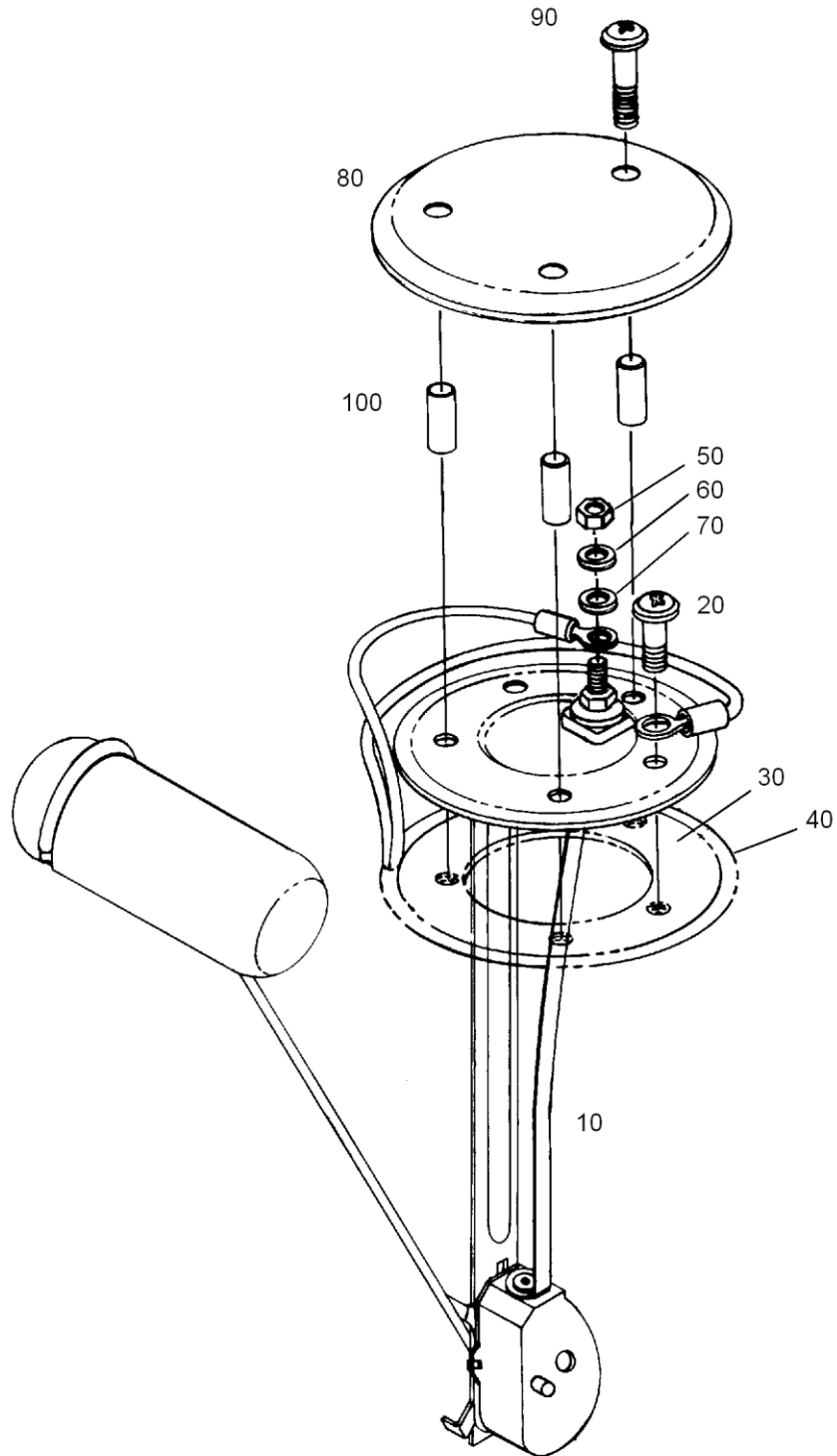


FIGURE 3-25. FUEL LEVEL SENDING UNIT

ENSTROM F-28/280 SERIES ILLUSTRATED PARTS CATALOG

FIGURE 3-25. FUEL LEVEL SENDING UNIT

| ITEM NUMBER | PART NUMBER | DESCRIPTION | QTY PER ASSY | MODELS AFFECTED | | | | | | |
|-------------|---------------|--|--------------|-----------------|-----|-------|------|-------|------|-------|
| | | | | F-28A | 280 | -F28C | 280C | F-28F | 280F | 280FX |
| 10* | ECD088-15 | . Fuel Level Sending Unit - 40 Gal. Capacity | 1 | X | X | X | X | X | X | X |
| 10 | ECD088-11 | . Fuel Level Sending Unit - 30 Gal. Capacity | 1 | X | | | | | | |
| 10 | ECD088-13 | . Fuel Level Sending Unit - 40 Gal. Capacity (Superseded by ECD088-15) | 1 | X | X | X | X | X | X | X |
| 20 | AN525-832R8 | . Screw | 2 | X | X | X | X | X | X | X |
| 30 | 28-12409-1 | . Gasket | 1 | X | X | X | X | X | X | X |
| 40** | 28-12408-1 | . Backing Plate | 1 | X | X | X | X | X | X | X |
| 50 | AN345-10 | . Nut | 1 | X | X | X | X | X | X | X |
| 60 | MS35338-43 | . Lock Washer | 1 | X | X | X | X | X | X | X |
| 60 | AN935-10L | . Lock Washer (Superseded by MS35338-43) | 1 | X | X | X | X | X | X | X |
| 70 | NAS1149F0332P | . Washer | 1 | X | X | X | X | X | X | X |
| 70 | AN960-10L | . Washer (Superseded by NAS1149F0332P) | 1 | X | X | X | X | X | X | X |
| 80 | 28-12411-3 | . Cover | 1 | X | X | X | X | X | X | X |
| 90 | AN525-832R22 | . Screw | 3 | X | X | X | X | X | X | X |
| 100 | 28-12410-1 | . Spacer | 3 | X | X | X | X | X | X | X |

* Can be used on all models. Effectivity F28F S/N 830 and subsequent. Retrofittable to F28A S/N 001, F28C S/N 331, F28F S/N 509. Effectivity 280FX S/N 2136 and subsequent. Retrofittable to 280 S/N 1001, 280C S/N 1025, 280F S/N 1500 and 280FX S/N 2001.

** Bonded to the fuel cell.

ENSTROM F-28/280 SERIES ILLUSTRATED PARTS CATALOG

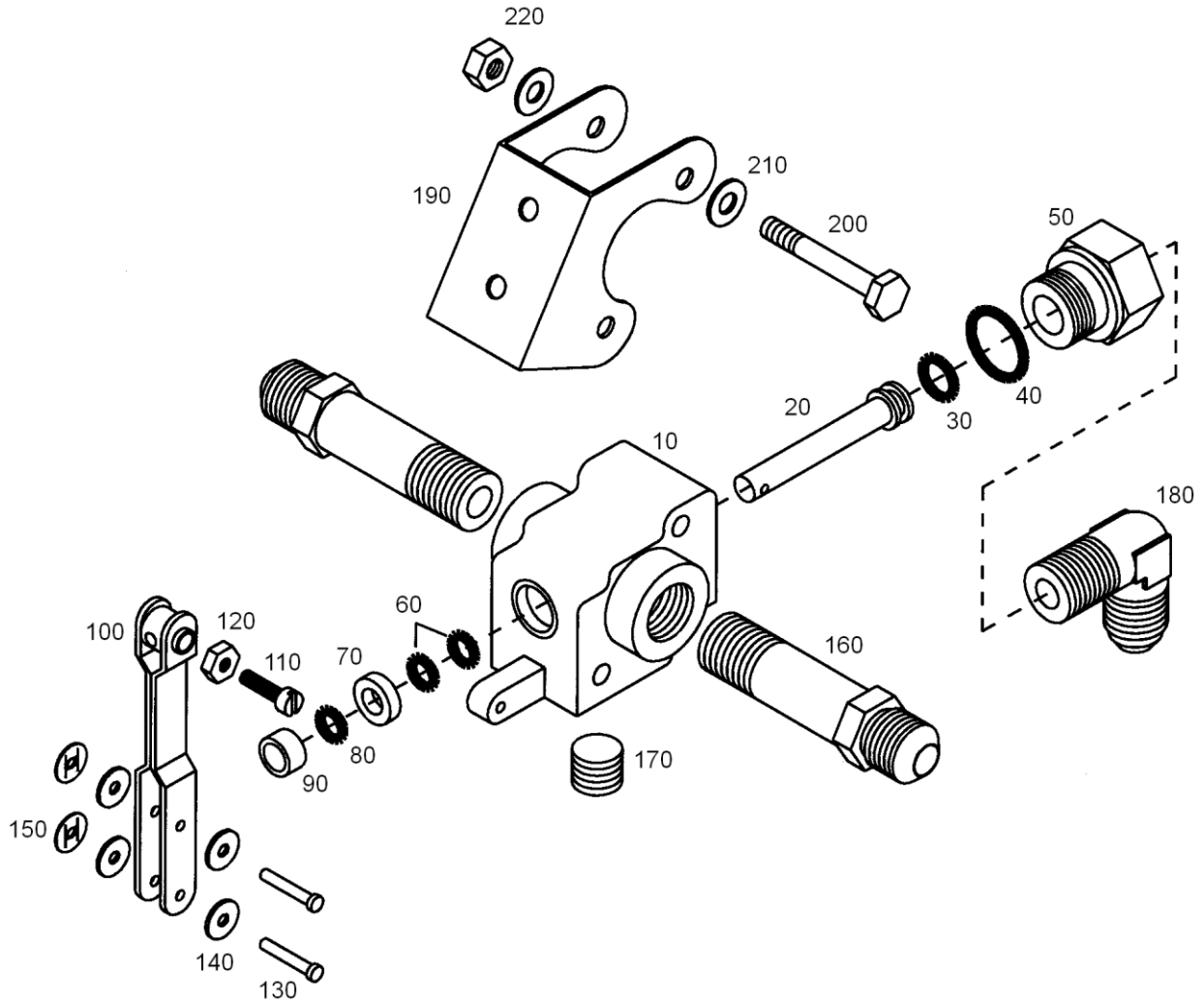


FIGURE 3-26. FUEL SHUTOFF VALVE ASSEMBLY

ENSTROM F-28/280 SERIES ILLUSTRATED PARTS CATALOG

FIGURE 3-26. FUEL SHUTOFF VALVE ASSEMBLY

| ITEM NUMBER | PART NUMBER | DESCRIPTION | QTY PER ASSY | MODELS AFFECTED | | | | | | |
|-------------|---------------|---|--------------|-----------------|-----|-------|------|-------|------|-------|
| | | | | F-28A | 280 | F-28C | 280C | F-28F | 280F | 280FX |
| - | 280-124001-1 | . Fuel Shutoff Valve Assembly | 1 | X | X | X | X | X | X | X |
| - | 4600-00 | . . Fuel Shutoff Valve | 1 | X | X | X | X | X | X | X |
| 10 | 4232 | . . . Body Assembly | 1 | X | X | X | X | X | X | X |
| 20 | 4234 | . . . Valve Stem | 1 | X | X | X | X | X | X | X |
| 30 | M83248-2-010 | . . . O-Ring | 1 | X | X | X | X | X | X | X |
| 40 | MS29513-113 | . . . O-Ring | 1 | X | X | X | X | X | X | X |
| 50 | 10005498 | . . . Valve Seat | 1 | X | X | X | X | X | X | X |
| 50 | 4235 | . . . Valve Seat (Superseded by 10005498) | 1 | X | X | X | X | X | X | X |
| 60 | MS29513-010 | . . . O-Ring | 2 | X | X | X | X | X | X | X |
| 70 | 4241 | . . . Washer | 1 | X | X | X | X | X | X | X |
| 80 | MS28778-2 | . . O-Ring | 1 | X | X | X | X | X | X | X |
| 80 | 2-010 | . . O-Ring (Equivalent to MS28778-2) | 1 | X | X | X | X | X | X | X |
| 80 | NAS1611-010 | . . O-Ring (Superseded by 2-010) | 1 | X | X | X | X | X | X | X |
| 90 | 4503 | . . Spacer | 1 | X | X | X | X | X | X | X |
| 100 | 4208-00 | . . Arm Assembly | 1 | X | X | X | X | X | X | X |
| 110 | MS35206-230 | . . . Screw | 1 | X | X | X | X | X | X | X |
| 110 | AN515-6R8 | . . . Screw (Superseded by MS35206-230) | 1 | X | X | X | X | X | X | X |
| 110 | AN500-6-8 | . . . Screw | 1 | X | X | X | X | X | X | X |
| 120 | MS35649-262 | . . . Nut | 1 | X | X | X | X | X | X | X |
| 120 | AN340-6 | . . . Nut (Superseded by MS35649-262) | 1 | X | X | X | X | X | X | X |
| 130* | MS20615-3M10 | . . Rivet | 2 | X | X | X | X | X | X | X |
| 130 | 18286-00 | . . Rivet (Superseded by MS20615-3M10) | 2 | X | X | X | X | X | X | X |
| 140 | NAS1149FN316P | . . Washer | 4 | X | X | X | X | X | X | X |
| 140 | 4222 | . . Washer (Superseded by NAS1149FN316P) | 4 | X | X | X | X | X | X | X |
| 150* | PS094032PG | . . Push Nut | 2 | X | X | X | X | X | X | X |
| 150 | 18207 | . . Nut, Tinnerman (Superseded by PS094032PG) | 2 | X | X | X | X | X | X | X |

ENSTROM F-28/280 SERIES ILLUSTRATED PARTS CATALOG

FIGURE 3-26. FUEL SHUTOFF VALVE ASSEMBLY

| ITEM NUMBER | PART NUMBER | DESCRIPTION | QTY PER ASSY | MODELS AFFECTED | | | | | | |
|-------------|---------------|---|--------------|-----------------|-----|-------|------|-------|------|-------|
| | | | | F-28A | 280 | F-28C | 280C | F-28F | 280F | 280FX |
| 150 | 183204 | . . Nut, Tinnerman (Superseded by 18207) | 2 | X | X | X | X | X | X | X |
| 160 | 28-12417-11 | . . Valve Adapter | 2 | X | X | X | X | X | X | X |
| 160 | 28-12417-1 | . . Valve Adapter (Superseded by 28-12417-11) | 2 | X | X | X | X | X | X | X |
| 170 | MS27769D3 | . . Pipe Plug | 1 | X | X | X | X | X | X | X |
| 170 | AN932-D3 | . . Plug (Replaced by MS27769D3) | 1 | X | X | X | X | X | X | X |
| 180 | MS20822-6D | . . Elbow | 1 | X | X | X | X | X | X | X |
| 180 | AN822-6D | . . Elbow (Superseded by MS20822-6D) | 1 | X | X | X | X | X | X | X |
| 190 | 280-124001-3 | . . Bracket Assembly | 1 | X | X | X | X | X | X | X |
| - | MS21059L3 | . . . Nut Plate | 2 | X | X | X | X | X | X | X |
| - | NAJ1-02 | . . . Nut Plate (Replaced by MS21059L3) | 2 | X | X | X | X | X | X | X |
| - | MS20426AD3-2 | . . . Rivet | 4 | X | X | X | X | X | X | X |
| - | MS20426AD3-3 | . . . Rivet (Replaced by MS20426AD3-2) | 4 | X | X | X | X | X | X | X |
| 200 | NAS6603-16 | . . Bolt | 2 | X | X | X | X | X | X | X |
| 200 | AN3-13A | . . Bolt (Superseded by NAS6603-16) | 2 | X | X | X | X | X | X | X |
| 210 | NAS1149D0316H | . . Washer | 4 | X | X | X | X | X | X | X |
| 210 | AN960D10L | . . Washer (Superseded by NAS1149D0316H) | 4 | X | X | X | X | X | X | X |
| 220 | MS21083N3 | . . Nut | 2 | X | X | X | X | X | X | X |
| 220 | AN364-1032A | . . Nut (Superseded by MS21083N3) | 2 | X | X | X | X | X | X | X |
| - | MS20995-C32 | . Wire: Safety | A/R | X | X | X | X | X | X | X |

* 18286 pin with 18207 Tinnerman push nut is an acceptable alternate.

ENSTROM F-28/280 SERIES ILLUSTRATED PARTS CATALOG

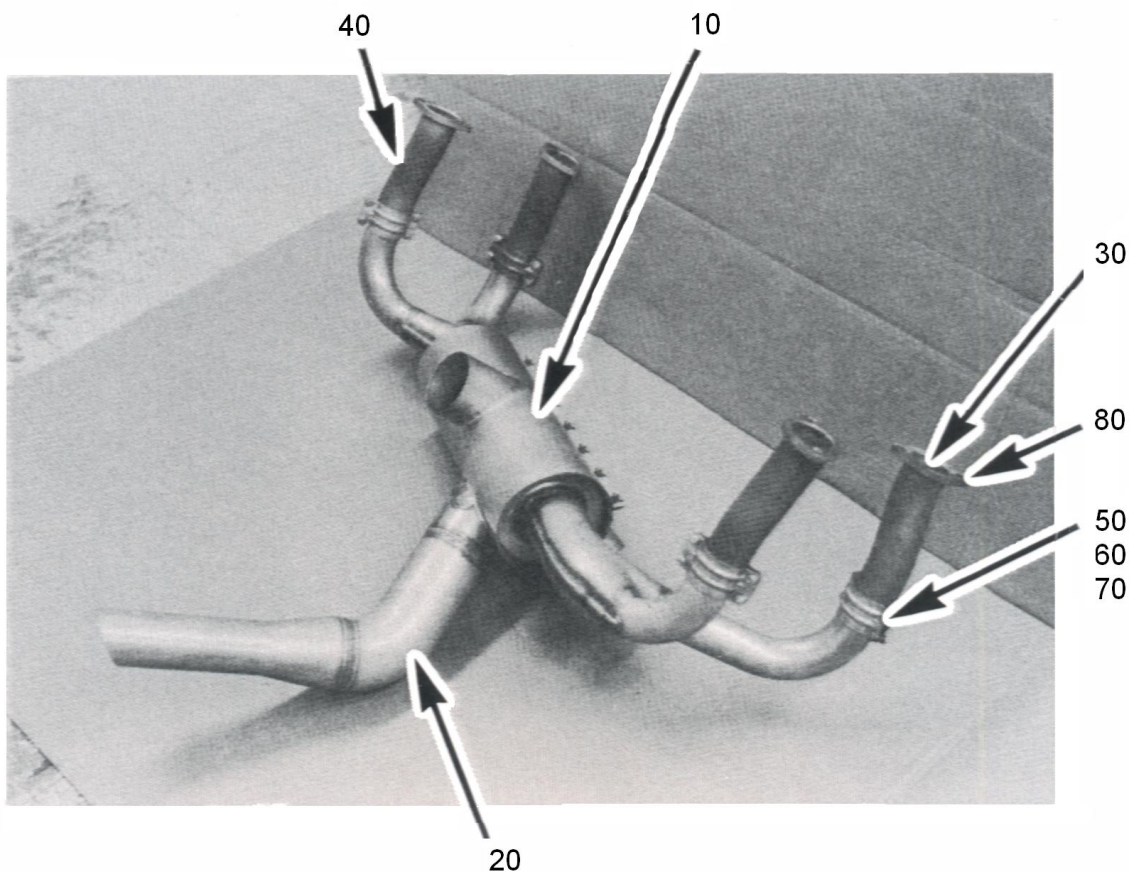


FIGURE 3-27. EXHAUST SYSTEM INSTALLATION (A MODELS)

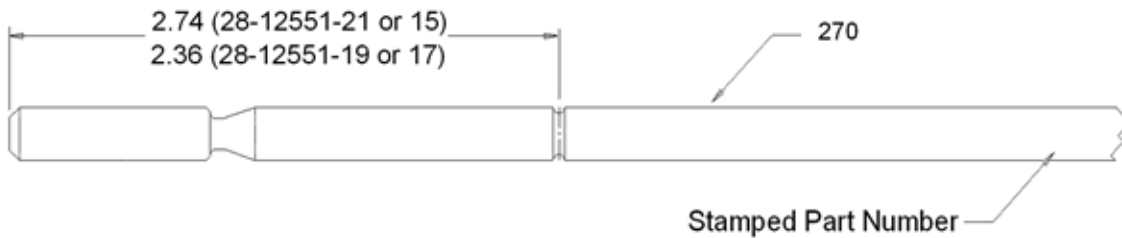
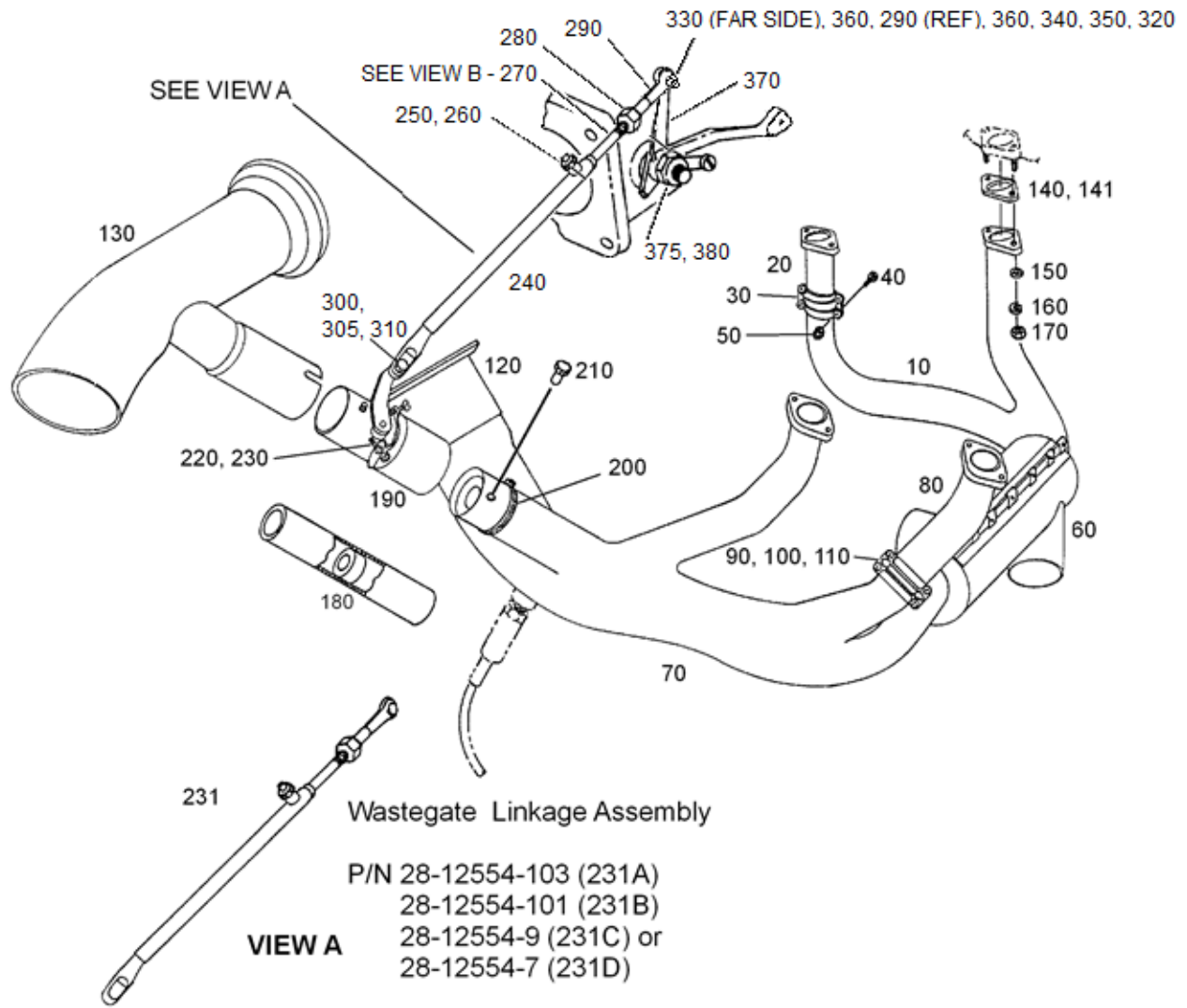
ENSTROM F-28/280 SERIES ILLUSTRATED PARTS CATALOG

FIGURE 3-27. EXHAUST SYSTEM INSTALLATION (A MODELS)

| ITEM NUMBER | PART NUMBER | DESCRIPTION | QTY PER ASSY | MODELS AFFECTED | | | | | | |
|-------------|---------------|--|--------------|-----------------|-----|-------|------|-------|------|-------|
| | | | | F-28A | 280 | F-28C | 280C | F-28F | 280F | 280FX |
| - | 28-12500-1 | . Exhaust System | 1 | X | | | | | | |
| 10 | 099001-176 | . . Shroud Assembly (Obsolete) | 1 | X | X | | | | | |
| - | C6052-8Z-1 | . . . Tinnerman Nut | 7 | X | X | | | | | |
| - | MS51861-35 | . . . Screw | 7 | X | X | | | | | |
| - | AN530C8-8 | . . . Screw (Superseded by MS51861-35) | 7 | X | X | | | | | |
| 20 | 099001-174 | . . Muffler Assembly (Obsolete) | 1 | X | X | | | | | |
| 30 | 099001-177 | . . Exhaust Riser, R/H | 2 | X | X | | | | | |
| 40 | 099001-178 | . . Exhaust Riser, L/H | 2 | X | X | | | | | |
| 50 | EL-099005-401 | . . Clamp Half | 8 | X | X | | | | | |
| 50 | 099005-401 | . . Clamp Half (Superseded by EL-099005-401) | 8 | X | X | | | | | |
| 60 | AN3C4A | . . Bolt | 16 | X | X | | | | | |
| 70 | MS21042-3 | . . Nut | 16 | X | X | | | | | |
| 70 | AN365-1032C | . . Nut (Superseded by MS21042-3) | 16 | X | X | | | | | |
| 80* | 75118 | . Gasket Flange Exhaust (Not Shown) | 8 | X | X | | | | | |
| 80* | 77611 | . Gasket (Not Shown) Alternate | 4 | X | X | | | | | |
| -* | STD-35 | . Washer | 8 | X | X | | | | | |
| -* | STD-475 | . Lock Washer | 8 | X | X | | | | | |
| -* | STD-1410 | . Nut | 8 | X | X | | | | | |

* Obtain from Lycoming distributor.

ENSTROM F-28/280 SERIES ILLUSTRATED PARTS CATALOG



Measure to Determine Part Number for Wastegate Linkage Rod
VIEW B

FIGURE 3-28. EXHAUST SYSTEM INSTALLATION (C, F MODELS)

ENSTROM F-28/280 SERIES ILLUSTRATED PARTS CATALOG

FIGURE 3-28. EXHAUST SYSTEM INSTALLATION (C, F MODELS)

| ITEM NUMBER | PART NUMBER | DESCRIPTION | QTY PER ASSY | MODELS AFFECTED | | | | | | |
|-------------|---------------|--|--------------|-----------------|-----|-------|------|-------|------|-------|
| | | | | F-28A | 280 | F-28C | 280C | F-28F | 280F | 280FX |
| - | 037360-004 | . Exhaust System | 1 | | | X | X | X | X | X |
| 10 | EL-037360-107 | . . Exhaust Riser, #2 | 1 | | | X | X | X | X | X |
| 20 | EL-037360-202 | . . Exhaust Riser, #4 | 1 | | | X | X | X | X | X |
| 30 | EL-099005-401 | . . Clamp Half | 2 | | | X | X | X | X | X |
| 30 | EL-037360-401 | . . Clamp Half (Superseded by EL-099005-401) | 2 | | | X | X | X | X | X |
| 40 | AN3C4A | . . Bolt | 4 | | | X | X | X | X | X |
| 50 | MS21042-3 | . . Nut | 4 | | | X | X | X | X | X |
| 50 | AN365-1032C | . . Nut (Superseded by MS21042-3) | 4 | | | X | X | X | X | X |
| 60 | EL-037360-113 | . . Shroud Assembly | 1 | | | X | X | X | X | X |
| - | C-6352-10Z | . . . Tinnerman Nut | 6 | | | X | X | X | X | X |
| - | MS51861-35 | . . . Screw | 6 | | | X | X | X | X | X |
| - | AN530C10-8 | . . . Screw | 6 | | | X | X | X | X | X |
| - | 037360-124 | . . Collector Assembly | 1 | | | | | X | X | X |
| 70 | EL-037360-110 | . . . Collector, Left Side | 1 | | | X | X | | | |
| 70 | EL-037360-111 | . . . Collector, Left Side | 1 | | | | | X | X | X |
| 80 | EL-037360-206 | . . . Exhaust Riser, #1 | 1 | | | X | X | X | X | X |
| 90 | EL-099005-401 | . . . Clamp Half | 2 | | | X | X | X | X | X |
| 90 | EL-037360-401 | . . . Clamp Half (Superseded by EL-099005-401) | 2 | | | X | X | | | |
| 100 | AN3C4A | . . Bolt | 4 | | | X | X | | | |
| 100 | AN3C4A | . . Bolt | 4 | | | | | X | X | X |
| 110 | MS21042-3 | . . Nut | 4 | | | X | X | | | |
| 110 | AN365-1032C | . . Nut (Superseded by MS21042-3) | 4 | | | X | X | | | |
| 110 | MS21042-3 | . . Nut | 4 | | | | | X | X | X |
| 110 | AN365-1032C | . . Nut (Superseded by MS21042-3) | 4 | | | | | X | X | X |
| 120 | EL-037360-112 | . . Turbo Inlet | 1 | | | X | X | | | |
| 120 | EL-037360-112 | . . Turbo Inlet | 1 | | | | | X | X | X |
| 130 | EL-037360-116 | . . Tail Pipe Assembly | 1 | | | X | X | | | |

ENSTROM F-28/280 SERIES ILLUSTRATED PARTS CATALOG

FIGURE 3-28. EXHAUST SYSTEM INSTALLATION (C, F MODELS)

| ITEM NUMBER | PART NUMBER | DESCRIPTION | QTY PER ASSY | MODELS AFFECTED | | | | | | |
|-------------|---------------|--|--------------|-----------------|-----|-------|------|-------|------|-------|
| | | | | F-28A | 280 | F-28C | 280C | F-28F | 280F | 280FX |
| 130 | EL-037360-123 | . Tail Pipe Assembly | 1 | | | | | X | X | X |
| 130 | 28-12577-1 | . Muffler Assembly (Optional) | 1 | | | | | X | X | X |
| 130 | ENX-0001 | . Muffler Assembly (Optional) Superseded by 28-12577-1 | 1 | | | | | X | X | X |
| 140* | 77611 | . Gasket Exhaust Flange | 4 | | | X | X | X | X | X |
| 141* | LW-16567 | . Gasket, Thin | A/R | | | X | X | X | X | X |
| 150* | STD-35 | . Washer | 8 | | | X | X | X | X | X |
| 160/170* | STD-2233 | . Lock Washer | 8 | | | X | X | X | X | X |
| 160* | STD-475 | . Lock Washer (#160 and #170 replaced by STD-2233 Locknut) | 8 | | | X | X | X | X | X |
| 170* | STD-1410 | . Nut (#160 and #170 replaced by STD-2233 Locknut) | 8 | | | X | X | X | X | X |
| 180 | 28-125017-1 | . Orifice Bypass Tube Assembly | 1 | | | X | X | | | |
| - | 28-125000-11 | . Tube, Bypass | 1 | | | X | X | | | |
| - | 28-125016-11 | . Orifice | 1 | | | X | X | | | |
| 190 | 28-12552-3 | . Waste Gate Assembly, With Alignment Pins | 1 | | | | | X | X | X |
| 190 | 28-12552-5 | . Waste Gate Assembly, Without Alignment Pins (Superseded by 28-12552-3) | 1 | | | | | X | X | X |
| 200 | QS100-M28 | . Clamp (Used with 28-12552-5) | 1 | | | | | X | X | X |
| 210 | 28-12574-11 | . Pin (Used with 28-12552-3) | 1 | | | | | X | X | X |
| 220 | NAS428-3A10 | . Bolt | 2 | | | | | X | X | X |
| 220 | AN502-10-14 | . Screw (Superseded by NAS428- 3A10) | 2 | | | | | X | X | X |
| 230 | AN315-3R | . Nut | 4 | | | | | X | X | X |
| 231A† | 28-12554-103 | . Linkage Assembly-Wastegate | 1 | | | | | X | X | X |
| 240 | 28-12555-7 | . Sleeve Assembly | 1 | | | | | X | X | X |
| 250 | K3N | . Plunger: Ball, 1/4-20 Stubby | 1 | | | | | X | X | X |
| 260 | 28-12560-1 | . Nut | 1 | | | | | X | X | X |

ENSTROM F-28/280 SERIES ILLUSTRATED PARTS CATALOG

FIGURE 3-28. EXHAUST SYSTEM INSTALLATION (C, F MODELS)

| ITEM NUMBER | PART NUMBER | DESCRIPTION | QTY PER ASSY | MODELS AFFECTED | | | | | | |
|-------------|--------------|--|--------------|-----------------|-----|-------|------|-------|------|-------|
| | | | | F-28A | 280 | F-28C | 280C | F-28F | 280F | 280FX |
| 270● | 28-12551-21 | . . Rod Linkage Wastegate, Long with .250" Diameter Rod | 1 | | | | | X | X | X |
| 280 | AN315-3R | . . Nut, Hex, 10-32 | 1 | | | | | X | X | X |
| 290 | HFVV3M | . . Bearing, Rod-End, 3/16" RH | 1 | | | | | X | X | X |
| 231B‡ | 28-12554-101 | . Linkage Assembly Wastegate (Alternate to 28-12554-103) | 1 | | | | | X | X | X |
| 240 | 28-12555-7 | . . Sleeve Assembly | 1 | | | | | X | X | X |
| 250 | K3N | . . Plunger: Ball, 1/4-20 Stubby | 1 | | | | | X | X | X |
| 260 | 28-12560-1 | . . Nut | 1 | | | | | X | X | X |
| 270● | 28-12551-19 | . . Rod Linkage Wastegate, Short with .250" Diameter Rod | 1 | | | | | X | X | X |
| 280 | AN315-3R | . . Nut, Hex, 10-32 | 1 | | | | | X | X | X |
| 290 | HFVV3M | . . Bearing, Rod-End, 3/16" RH | 1 | | | | | X | X | X |
| 231C | 28-12554-9 | . Linkage Assembly-Wastegate (Superseded by 28-12554-7) | 1 | | | | | X | X | X |
| 240 | 28-12555-7 | . . Sleeve Assembly | 1 | | | | | X | X | X |
| 250 | K3N | . . Plunger: Ball, 1/4-20 Stubby | 1 | | | | | X | X | X |
| 260 | 28-12560-1 | . . Nut | 1 | | | | | X | X | X |
| 270● | 28-12551-21 | . . Rod Linkage, Long with .250 Diameter Rod | 1 | | | | | X | X | X |
| 270● | 28-12551-17 | . . Rod Linkage, Short, with .250 Diameter Rod (Superseded by 28-12551-21) | 1 | | | | | X | X | X |
| 280 | AN315-3R | . . Nut, Hex, 10-32 | 1 | | | | | X | X | X |
| 290 | HFVV3M | . . Bearing, Rod-End, 3/16" RH | 1 | | | | | X | X | X |
| 231D | 28-12554-7 | . Linkage Assembly Wastegate (Superseded by 28-12554-101) | 1 | | | | | X | X | X |
| 240 | 28-12555-7 | . . Sleeve Assembly – Fits .250 Diameter Rod | 1 | | | | | X | X | X |
| 240A** | 28-12555-1 | . . Sleeve Assembly – Fits .290 Diameter Rod | 1 | | | | | X | X | |
| 250 | K3N | . . Plunger: Ball, 1/4-20 Stubby | 1 | | | | | X | X | X |
| 260 | 28-12560-1 | . . Nut | 1 | | | | | X | X | X |

ENSTROM F-28/280 SERIES ILLUSTRATED PARTS CATALOG

FIGURE 3-28. EXHAUST SYSTEM INSTALLATION (C, F MODELS)

| ITEM NUMBER | PART NUMBER | DESCRIPTION | QTY PER ASSY | MODELS AFFECTED | | | | | | |
|-------------|---------------|--|--------------|-----------------|-----|-------|------|-------|------|-------|
| | | | | F-28A | 280 | F-28C | 280C | F-28F | 280F | 280FX |
| 270● | 28-12551-15 | . . Rod Linkage Wastegate, Long with 0.250" Diameter Rod (Superseded by 28-12551-19) | 1 | | | | | X | X | X |
| 270A**● | 28-12551-13 | . . Rod Linkage Wastegate, 0.290" Diameter Rod (Used with 28-12555-1 Tube Assembly) | 1 | | | | | X | X | |
| 280 | AN315-3R | . . Nut, Hex, 10-32 | 1 | | | | | X | X | X |
| 290 | HFVV3M | . . Bearing, Rod-End, 3/16" RH | 1 | | | | | X | X | X |
| 300 | MS20392-2C11 | . Clevis Pin | 1 | | | | | X | X | X |
| 305 | MS24665-153 | . Cotter Pin | 1 | | | | | X | X | X |
| 300 | AN393-11 | . Clevis Pin (Superseded by MS20392-2C11) | 1 | | | | | X | X | X |
| 310 | AN960-10L | . Washer | 1 | | | | | X | X | X |
| 320 | MS24665-300 | . Cotter Pin | 1 | | | | | X | X | X |
| 320 | AN381-2-8 | . Cotter Pin (Replaced by MS24665-300) | 1 | | | | | X | X | X |
| 330 | AN3-11 | . Bolt | 1 | | | | | X | X | X |
| - | MS20995C32 | . Safety Wire | A/R | | | | | X | X | X |
| 340 | NAS1149F0363P | . Washer | 2 | | | | | X | X | X |
| 350 | F12NE4753-02 | . Nut | 1 | | | | | X | X | X |
| 360 | NAS73-3E002 | . Bushing | 2 | | | | | X | X | X |
| 370 | 28-12570-3 | . Bellcrank | 1 | | | | | X | X | X |
| 375 | MS246665-90 | . Cotter Pin | 1 | | | | | X | X | X |
| 380 | AN310-5 | . Nut | 1 | | | | | X | X | X |

* Obtain from Lycoming distributor.

** Used on helicopters manufactured on or before 1985.

‡ Used on helicopters manufactured after 1985.

● See Figure 3-28 View B to determine the correct part number.

ENSTROM F-28/280 SERIES ILLUSTRATED PARTS CATALOG

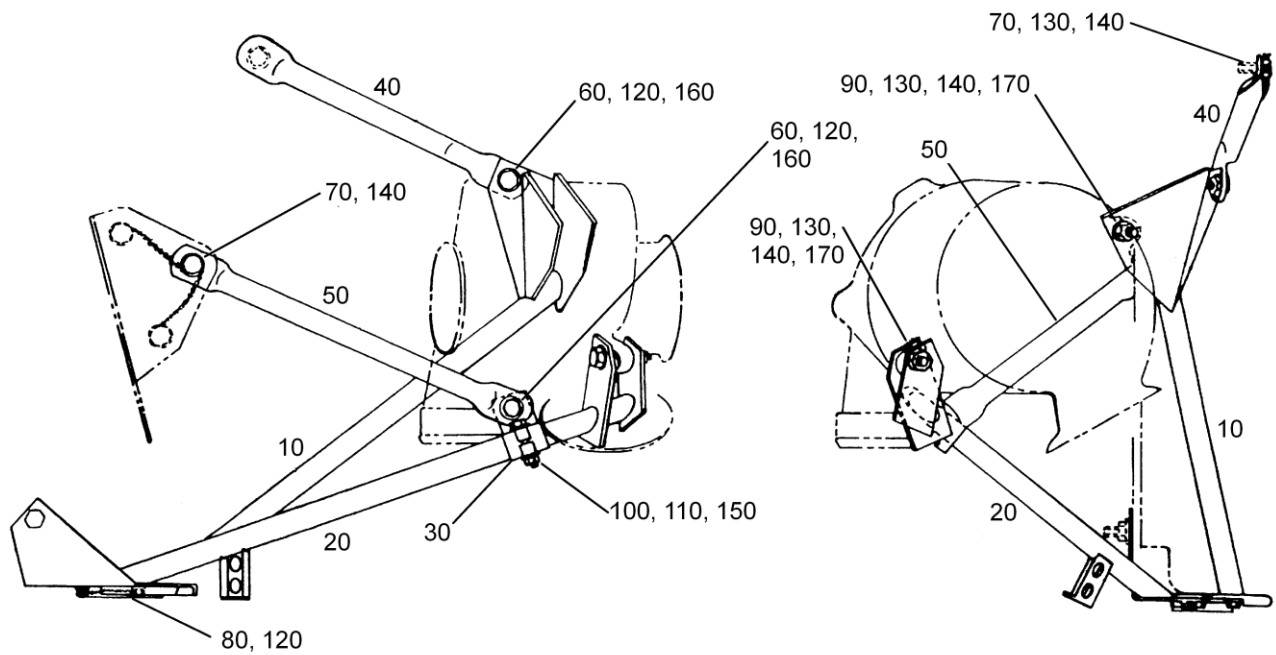


FIGURE 3-29. TURBOCHARGER MOUNT INSTALLATION

ENSTROM F-28/280 SERIES ILLUSTRATED PARTS CATALOG

FIGURE 3-29. TURBOCHARGER MOUNT INSTALLATION

| ITEM NUMBER | PART NUMBER | DESCRIPTION | QTY PER ASSY | MODELS AFFECTED | | | | | | |
|-------------|---------------|--|--------------|-----------------|-----|-------|------|-------|------|-------|
| | | | | F-28A | 280 | F-28C | 280C | F-28F | 280F | 280FX |
| 10 | 28-125011-1 | . Tube Assembly | 1 | | | X | X | X | X | X |
| 20* | 28-125082-3 | . Bracket Assembly | 1 | | | X | X | X | X | X |
| 20 | 28-125082-1 | . Bracket Assembly (Superseded by 28-125082-3) | 1 | | | X | X | X | X | X |
| 30 | 28-125011-5 | . . Clamp Assembly | 1 | | | X | X | X | X | X |
| 40 | 28-125011-31 | . Tube Assembly Mount | 1 | | | X | X | X | X | X |
| 50 | 28-125011-49 | . Tube Assembly Mount (Used with 28-125082-3) | 1 | | | X | X | X | X | X |
| 50 | 28-125011-33 | . Tube Assembly Mount (Alternate) | 1 | | | X | X | X | X | X |
| 60 | AN4C5A | . Bolt | 2 | | | X | X | X | X | X |
| 70 | MS20074-05-05 | . Bolt | 2 | | | X | X | X | X | X |
| 70 | AN75A5 | . Bolt (Superseded by MS20074-05-05) | 2 | | | X | X | X | X | X |
| 80 | AN74A4 | . Bolt | 2 | | | X | X | X | X | X |
| 90 | AN5C13A | . Bolt | 2 | | | X | X | X | X | X |
| 100 | AN3C10A | . Bolt | 1 | | | X | X | X | X | X |
| 110 | NAS1149C0363R | . Washer | 2 | | | X | X | X | X | X |
| 110 | AN960C10 | . Washer (Superseded by NAS1149C0363R) | 2 | | | X | X | X | X | X |
| 120 | NAS1149F0432P | . Washer | 4 | | | X | X | X | X | X |
| 120 | AN960-416L | . Washer (Superseded by NAS1149F0432P) | 4 | | | X | X | X | X | X |
| 130 | NAS1149F0532P | . Washer | A/R | | | X | X | X | X | X |
| 130 | AN960-516L | . Washer (Superseded by NAS1149F0532P) | A/R | | | X | X | X | X | X |
| 140 | NAS1149C0563R | . Washer | A/R | | | X | X | X | X | X |
| 140 | AN960C516 | . Washer (Superseded by NAS1149C0563R) | A/R | | | X | X | X | X | X |
| 150 | MS20500-1032 | . Nut | 1 | | | X | X | X | X | X |
| 160 | MS20500-428 | . Nut | 2 | | | X | X | X | X | X |
| 170 | MS20500-524 | . Nut | 2 | | | X | X | X | X | X |

ENSTROM F-28/280 SERIES ILLUSTRATED PARTS CATALOG

■ *

Effective: F-28F S/N 832 and subsequent; 280FX S/N 2147 and subsequent.

Eligible: F-28C all S/N; 280C all S/N; F-28F S/N 509 and subsequent; 280FX S/N 2001 and subsequent if bracket P/N 28-125082-3 is installed (replacing P/N 28-125082-1). Refer to Figure 3-8 for adapter/fitting requirements (Item 65).

ENSTROM F-28/280 SERIES ILLUSTRATED PARTS CATALOG

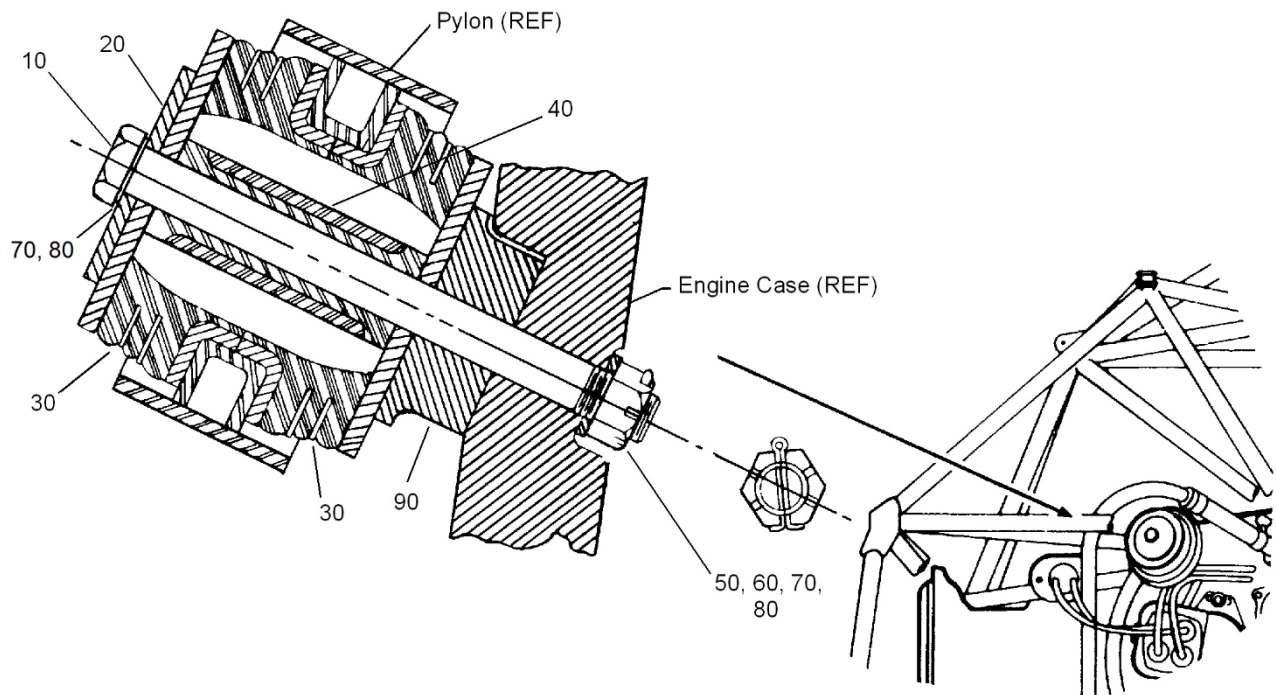


FIGURE 3-30. ENGINE MOUNT ASSEMBLY

ENSTROM F-28/280 SERIES ILLUSTRATED PARTS CATALOG

FIGURE 3-30. ENGINE MOUNT ASSEMBLY

| ITEM NUMBER | PART NUMBER | DESCRIPTION | QTY PER ASSY | MODELS AFFECTED | | | | | | |
|-------------|---------------|--|--------------|-----------------|-----|-------|------|-------|------|-------|
| | | | | F-28A | 280 | F-28C | 280C | F-28F | 280F | 280FX |
| – | J-10386-2 | . Lord Mount Kit | 4 | X | X | X | X | X | X | X |
| 10 | J-2216-18 | . . Bolt | 1 | X | X | X | X | X | X | X |
| 20 | J-2218-61 | . . Spacer | 1 | X | X | X | X | X | X | X |
| 30 | J-7763-26 | . . Laminated Mount | 2 | X | X | X | X | X | X | X |
| 40 | J-7766-2 | . . Bonded Spacer | 1 | X | X | X | X | X | X | X |
| 50 | J-2309-7 | . . Nut | 1 | X | X | X | X | X | X | X |
| 60 | J-2214-4 | . . Cotter Pin | 1 | X | X | X | X | X | X | X |
| 60 | MS24665-300 | . . Cotter Pin (Alternate) | 1 | X | X | X | X | X | X | X |
| –A | 96394-01 | . Hutchinson Mount Kit | 4 | X | X | X | X | X | X | X |
| 10A | AN7-50 | . . Bolt | 1 | X | X | X | X | X | X | X |
| 20A | 28-12141-11 | . . Spacer | 1 | X | X | X | X | X | X | X |
| 30A | 00-15073-01 | . . Laminated Mount | 2 | X | X | X | X | X | X | X |
| 40A | 85-9217-06 | . . Bonded Spacer | 1 | X | X | X | X | X | X | X |
| 50A | AN310-7 | . . Nut | 1 | X | X | X | X | X | X | X |
| 60A | MS24665-300 | . . Cotter Pin | 1 | X | X | X | X | X | X | X |
| 70 | NAS1149F0763P | . Washer | A/R | X | X | X | X | X | X | X |
| 70 | AN960-716 | . Washer (Superseded by NAS1149F0763P) | A/R | X | X | X | X | X | X | X |
| 80 | NAS1149F0732P | . Washer | A/R | X | X | X | X | X | X | X |
| 80 | AN960-716L | . Washer (Superseded by NAS1149F0732P) | A/R | X | X | X | X | X | X | X |
| 90* | 74465 | . Spacer | 4 | X | X | X | X | X | X | X |

* Obtain from Lycoming distributor.

ENSTROM F-28/280 SERIES ILLUSTRATED PARTS CATALOG

NO ILLUSTRATION AVAILABLE

FIGURE 3-31. ENGINE COMPONENTS

ENSTROM F-28/280 SERIES ILLUSTRATED PARTS CATALOG

FIGURE 3-31. ENGINE COMPONENTS

| ITEM NUMBER | PART NUMBER | DESCRIPTION | QTY PER ASSY | MODELS AFFECTED | | | | | | |
|-------------|--------------|--------------------------------------|--------------|-----------------|-----|-------|------|-------|------|-------|
| | | | | F-28A | 280 | F-28C | 280C | F-28F | 280F | 280FX |
| -* | 201F-5006 | Pump:Fuel | 1 | | | | | X | X | X |
| -* | ALU8521LS | Alternator | 1 | | | | | X | X | X |
| -* | 149-24HT | Starter:Lightweight, 24V | 1 | | | | | X | X | X |
| -* | 31B22111 | Starter:Lightweight, 24V (Alternate) | 1 | | | | | X | X | X |
| -* | RHB32S | Plug:Spark | 8 | | | | | X | X | X |
| -* | 10-682605-13 | Magneto:Dual, Engine | 1 | | | | | X | X | X |
| -* | 2524917-1 | Nozzle:Fuel Injection | 4 | | | | | X | X | X |

* Refer to Lycoming Aircraft Engines Parts Catalog, PC-406-2, Service Bulletins, and Service Letters.

ENSTROM F-28/280 SERIES ILLUSTRATED PARTS CATALOG

I

INTENTIONALLY LEFT BLANK

ENSTROM F-28/280 SERIES ILLUSTRATED PARTS CATALOG

SECTION 4

MAIN ROTOR SYSTEM

TABLE OF CONTENTS

| | | |
|-----------------------|--|--------|
| | Cover Page | 4-1 |
| | Table of Contents | 4-1 |
| 4-1 | Main Rotor Hub Assembly | 4-2 |
| 4-2 | Main Rotor Blade and Retention Assembly | 4-6 |
| 4-2.1 | Retention Assembly (STC SR03465CH) | 4-10.1 |
| 4-3 | Flapping Pin and Damper Installation | 4-11 |
| 4-4 | Hydraulic Damper Assembly (28-14375-101) | 4-13 |

ENSTROM F-28/280 SERIES ILLUSTRATED PARTS CATALOG

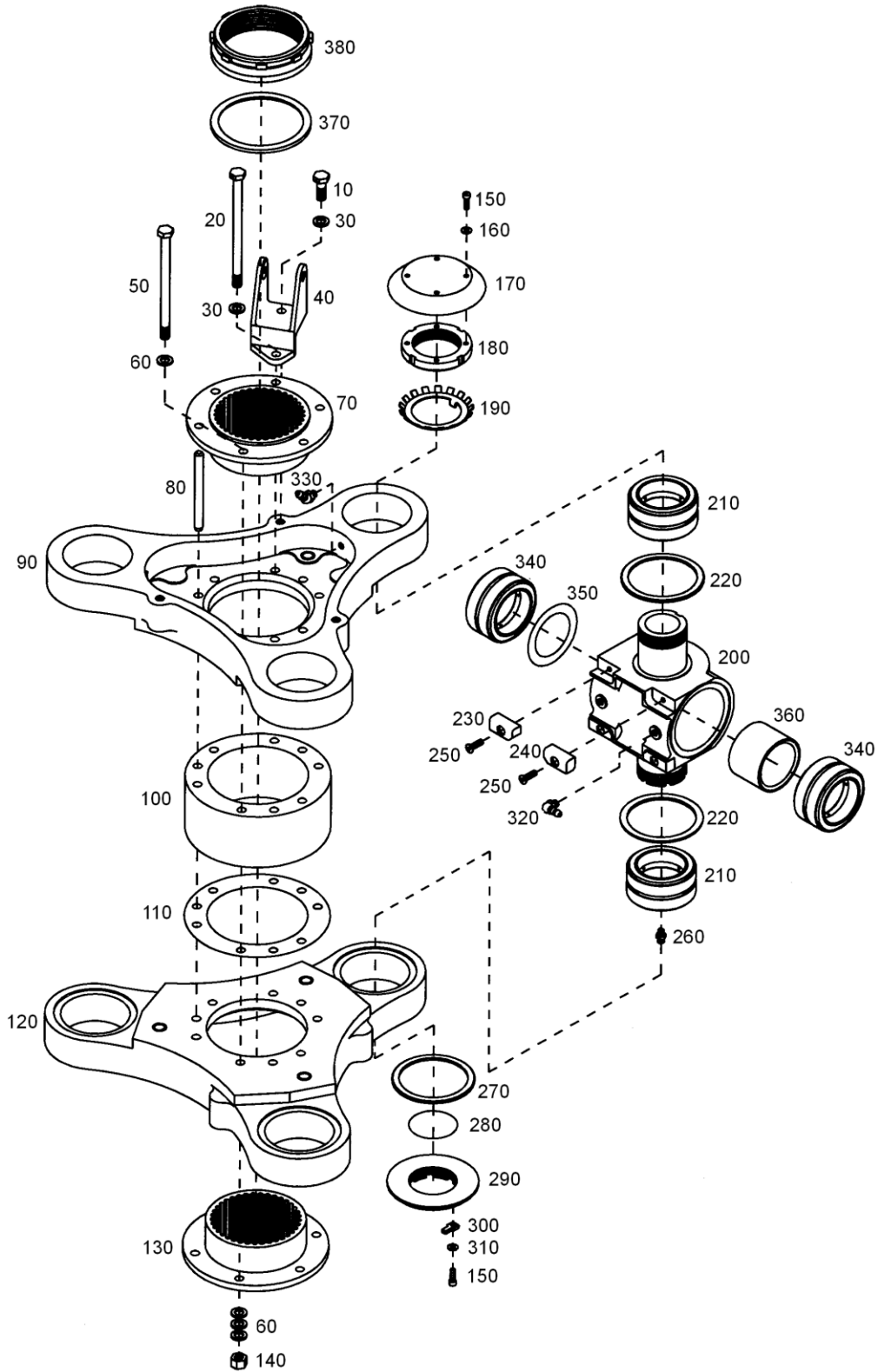


FIGURE 4-1. MAIN ROTOR HUB ASSEMBLY

ENSTROM F-28/280 SERIES ILLUSTRATED PARTS CATALOG

FIGURE 4-1. MAIN ROTOR HUB ASSEMBLY

| ITEM NUMBER | PART NUMBER | DESCRIPTION | QTY PER ASSY | MODELS AFFECTED | | | | | | |
|-------------|---------------|--|--------------|-----------------|-----|-------|------|-------|------|-------|
| | | | | F-28A | 280 | F-28C | 280C | F-28F | 280F | 280FX |
| –● | 28-14219-7 | . Hub Assembly (Center) | 1 | X | X | X | X | X | X | X |
| – | 28-14219-3 | . Hub Assembly (Center) (Superseded by 28-14219-7) | 1 | X | X | X | X | X | X | X |
| 10 | AN5H-6A | . . Bolt | 3 | X | X | X | X | X | X | X |
| 20●● | AN5H-45A | . . Bolt | 3 | X | X | X | X | X | X | X |
| 20 | AN5H-46A | . . Bolt (Superseded by AN5H-45A) | 3 | X | X | X | X | X | X | X |
| 30●● | NAS1149D0563H | . . Washer | 6 | X | X | X | X | X | X | X |
| 30 | AN960D516 | . . Washer (Superseded by NAS1149D0563H) | 6 | X | X | X | X | X | X | X |
| 40 | 28-14202-1 | . . Bracket Assembly | 3 | X | X | X | X | X | X | X |
| – | 28-14250-1 | . . . Bushing | 2 | X | X | X | X | X | X | X |
| 50●● | AN5-43A | . . Bolt | 3 | X | X | X | X | X | X | X |
| 50 | AN5-44A | . . Bolt (Superseded by AN5-43A) | 3 | X | X | X | X | X | X | X |
| 60●● | NAS1149F0563P | . . Washer | 18 | X | X | X | X | X | X | X |
| 60 | AN960-516 | . . Washer (Superseded by NAS1149F0563P) | 18 | X | X | X | X | X | X | X |
| 70 | 28-14224-1 | . . Shaft Adapter | 1 | X | X | X | X | X | X | X |
| 80 | 28-14244-1 | . . Pin | 3 | X | X | X | X | X | X | X |
| 90† | 28-14280-5 | . . Hub Plate Assembly (Upper) | 1 | X | X | X | X | X | X | X |
| 90 | 28-14280-3 | . . Hub Plate Assembly (Upper) (Superseded by 28-14280-5) | 1 | X | X | X | X | X | X | X |
| 90* | 28-14280-1 | . . Plate Assembly (Upper) | 1 | X | X | X | X | X | X | X |
| 100 | 28-14223-1 | . . Hub Spacer | 1 | X | X | X | X | X | X | X |
| 110 | 28-14290-3 | . . Shim (0.001") | A/R | X | X | X | X | X | X | X |
| 110 | 28-14290-5 | . . Shim (0.002") | A/R | X | X | X | X | X | X | X |
| 110 | 28-14290-7 | . . Shim (0.004") | A/R | X | X | X | X | X | X | X |
| 110 | 28-14290-9 | . . Shim (0.0075") | A/R | X | X | X | X | X | X | X |
| 120† | 28-14281-5 | . . Hub Plate Assembly (Lower) | 1 | X | X | X | X | X | X | X |

ENSTROM F-28/280 SERIES ILLUSTRATED PARTS CATALOG

FIGURE 4-1. MAIN ROTOR HUB ASSEMBLY

| ITEM NUMBER | PART NUMBER | DESCRIPTION | QTY PER ASSY | MODELS AFFECTED | | | | | | |
|-------------|---------------|---|--------------|-----------------|-----|-------|------|-------|------|-------|
| | | | | F-28A | 280 | F-28C | 280C | F-28F | 280F | 280FX |
| 120 | 28-14281-3 | .. Hub Plate Assembly (Lower) (Superseded by 28-14281-5) | 1 | X | X | X | X | X | X | X |
| 120** | 28-14281-1R | .. Plate Assembly (Lower) | 1 | X | X | X | X | X | X | X |
| 130 | 28-14224-3 | .. Shaft Adapter (Lower) | 1 | X | X | X | X | X | X | X |
| 140 | MS21044N5 | .. Nut | 6 | X | X | X | X | X | X | X |
| 140 | AN365-524A | .. Nut (Superseded by MS21044N5) | 6 | X | X | X | X | X | X | X |
| 150 ≡ | NK-500-8R6 | .. Screw | 15 | X | X | X | X | X | X | X |
| 160 | NAS1149DN832H | .. Washer | 12 | X | X | X | X | X | X | X |
| 160 | AN960D8 | .. Washer (Superseded by NAS1149DN832H) | 12 | X | X | X | X | X | X | X |
| 170 | 28-14228-1 | .. Dust Cover | 3 | X | X | X | X | X | X | X |
| 170 | 28-14228-15 | .. Dust Cover (Superseded by 28- 14228-1) | 3 | X | X | X | X | X | X | X |
| 180 | 28-14227-1 | .. Lock Nut | 3 | X | X | X | X | X | X | X |
| 190 | W-09 | .. Lock Washer | 3 | X | X | X | X | X | X | X |
| - | 28-14219-901 | .. Universal Block Assembly | 3 | X | X | X | X | X | X | X |
| 200 ▲▶ | 28-14117-11 | ... Block | 1 | X | X | X | X | X | X | X |
| 200 ▲ | 28-14117-1 | ... Block (Superseded by 28- 14117-11) | 1 | X | X | X | X | X | X | X |
| 210 †† | 28NBC2040YZP | ... Bearing | 2 | X | X | X | X | X | X | X |
| 220 | 28-14236-1 | ... Washer | 2 | X | X | X | X | X | X | X |
| 230 ▲ | 28-14251-1 | ... Pad – Stop LH | 2 | X | X | X | X | X | X | X |
| 240 ▲ | 28-14251-2 | ... Pad – Stop RH | 2 | X | X | X | X | X | X | X |
| 250 | NK-510-10R10 | ... Screw | 4 | X | X | X | X | X | X | X |
| 260 | 1641-B | ... Fitting (1/4-28) | 1 | X | X | X | X | X | X | X |
| 260 | MS15001-1 | ... Fitting (Alternate to 1641-B) | 1 | X | X | X | X | X | X | X |
| 270 | 28-14236-1 | .. Washer | 3 | X | X | X | X | X | X | X |
| 280 | 28-14006-3 | .. Shim (0.001") | A/R | X | X | X | X | X | X | X |
| 280 | 28-14006-5 | .. Shim (0.002") | A/R | X | X | X | X | X | X | X |

ENSTROM F-28/280 SERIES ILLUSTRATED PARTS CATALOG

FIGURE 4-1. MAIN ROTOR HUB ASSEMBLY

| ITEM NUMBER | PART NUMBER | DESCRIPTION | QTY PER ASSY | MODELS AFFECTED | | | | | | |
|-------------|---------------|--|--------------|-----------------|-----|-------|------|-------|------|-------|
| | | | | F-28A | 280 | F-28C | 280C | F-28F | 280F | 280FX |
| 280 | 28-14006-7 | . . Shim (0.004") | A/R | X | X | X | X | X | X | X |
| 280 | 28-14006-9 | . . Shim (0.005") | A/R | X | X | X | X | X | X | X |
| 280 | 28-14006-11 | . . Shim (0.010") | A/R | X | X | X | X | X | X | X |
| 280 | 28-14006-13 | . . Shim (0.015") | A/R | X | X | X | X | X | X | X |
| 280 | 28-14006-15 | . . Shim (0.020") | A/R | X | X | X | X | X | X | X |
| 280 | 28-14006-17 | . . Shim (0.025") | A/R | X | X | X | X | X | X | X |
| 280 | 28-14006-19 | . . Shim (0.030") | A/R | X | X | X | X | X | X | X |
| 290▲ | 28-14256-1 | . . Nut | 3 | X | X | X | X | X | X | X |
| 300 | 28-14257-1 | . . Key | 3 | X | X | X | X | X | X | X |
| 310 | NAS1149FN816P | . . Washer | 3 | X | X | X | X | X | X | X |
| 310 | AN960-8L | . . Washer (Superseded by NAS1149FN816P) | 3 | X | X | X | X | X | X | X |
| 320 | 1911-B | . . Fitting, Grease | 6 | X | X | X | X | X | X | X |
| 330 | 1637-B | . . Fitting | 6 | X | X | X | X | X | X | X |
| 340†† | 28NBC2040YZP | . Bearing | 6 | X | X | X | X | X | X | X |
| 350 | 28-14009-1 | . Shim (0.001") | A/R | X | X | X | X | X | X | X |
| 350 | 28-14009-2 | . Shim (0.002") | A/R | X | X | X | X | X | X | X |
| 350 | 28-14009-3 | . Shim (0.003") | A/R | X | X | X | X | X | X | X |
| 350 | 28-14009-5 | . Shim (0.005") | A/R | X | X | X | X | X | X | X |
| 360▲ | 28-14235-1 | . Spacer | 3 | X | X | X | X | X | X | X |
| 370▲ | 28-14008-1 | . Spacer | 1 | X | X | X | X | X | X | X |
| 380▲ | 28-14004-1 | . Nut | 1 | X | X | X | X | X | X | X |

* Superseded by 28-14280-3.

** Superseded by 28-14281-3.

† Effectivity F28F S/N 819, 280FX S/N 2126 and subsequent.

†† A pre-greased 28NBC2040YZP is available as P/N ECD092-1.

● Effectivity F28F S/N 818, 280FX S/N 2118 and subsequent.

●● Effectivity F28F S/N 829, 280FX S/N 2135 and subsequent.

▲ Available as a remanufactured part. Add an "R" to the end of the part number when ordering.

▶ Effectivity F28F S/N 831 and subsequent, 280FX S/N 2172 and subsequent. Retrofittable to F28F S/N 509 and subsequent, and 280FX S/N 2001 and subsequent.

ENSTROM F-28/280 SERIES ILLUSTRATED PARTS CATALOG

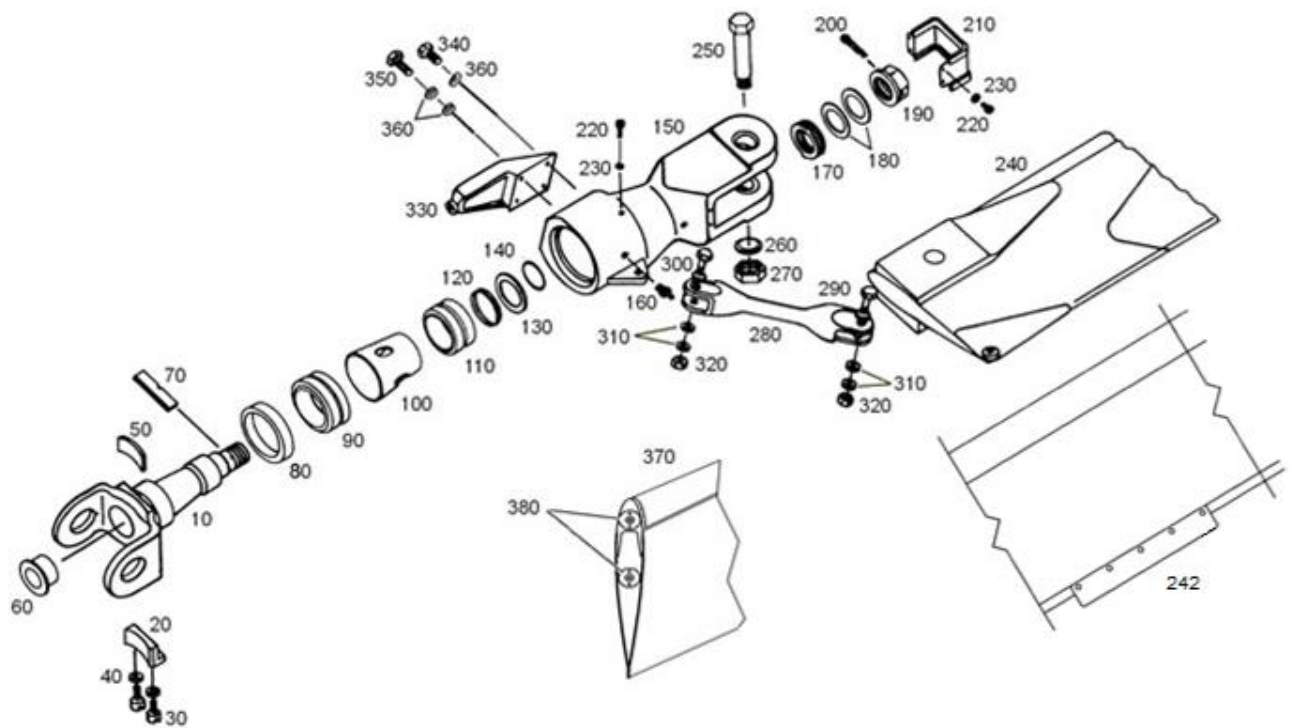


FIGURE 4-2. MAIN ROTOR BLADE AND RETENTION ASSEMBLY

ENSTROM F-28/280 SERIES ILLUSTRATED PARTS CATALOG

FIGURE 4-2. MAIN ROTOR BLADE AND RETENTION ASSEMBLY

| ITEM NUMBER | PART NUMBER | DESCRIPTION | QTY PER ASSY | MODELS AFFECTED | | | | | | |
|-------------|---------------|---|--------------|-----------------|-----|-------|------|-------|------|-------|
| | | | | F-28A | 280 | F-28C | 280C | F-28F | 280F | 280FX |
| - | 28-14234-909 | . Retention Main Rotor Blade | 3 | X | X | X | X | X | X | X |
| - | 28-14234-9 | . Retention Assembly (Superseded by 28-14234-909) | 3 | X | X | X | X | X | X | X |
| -▲ | 28-14234-901 | . . Spindle & Stop Pad Assembly | 1 | X | X | X | X | X | X | X |
| - | 28-14381-903 | . . Spindle Assembly (Used with 28-14381-3) | 1 | X | X | X | X | X | X | X |
| 10 | 28-14282-13 | . . . Spindle | 1 | X | X | X | X | X | X | X |
| 10 | 28-14282-11 | . . . Spindle (Superseded by 28-14282-13) | 1 | X | X | X | X | | | |
| 20 | 28-14240-1 | . . . Pad | 1 | X | X | X | X | X | X | X |
| 30 ≡ | NP500-8R8 | . . . Screw | 2 | X | X | X | X | X | X | X |
| 40 | NAS1149DN832H | . . . Washer | 2 | X | X | X | X | X | X | X |
| 40 | AN960D8 | . . . Washer (Superseded by NAS1149DN832H) | 2 | X | X | X | X | X | X | X |
| 50 | 28-14231-1 | . . . Pad | 1 | X | X | X | X | X | X | X |
| 60 | L-18X | . . Plug | 1 | X | X | X | X | X | X | X |
| 70 | 28-14311-1 | . . Strap | 1 | X | X | X | X | X | X | X |
| 80 | 10065 H1L5 | . . Oil Seal (3.625") | 1 | X | X | X | X | X | X | X |
| 90 | 40NBC2052YZP | . . Bearing | 1 | X | X | X | X | X | X | X |
| 100▲ | 28-14261-1 | . . Spacer | 1 | X | X | X | X | X | X | X |
| 110 | 32NBC2044YZP | . . Bearing | 1 | X | X | X | X | X | X | X |
| 120 | RST-200 | . . Ring | 1 | X | X | X | X | X | X | X |
| 130 | 28-14313-1 | . . Washer | 1 | X | X | X | X | X | X | X |
| 140 | MS28775-029 | . . O-Ring (0.070") | 1 | X | X | X | X | X | X | X |
| 140 | 2-029 | . . O-Ring, N304-75, 1.489" (.070") (Alternate) | 1 | X | X | X | X | X | X | X |
| 140 | NAS1611-029 | . . O-Ring (Alternate) | 1 | X | X | X | X | X | X | X |
| 150▲ | 28-14279-3 | . . Grip Assembly. | 1 | X | X | X | X | X | X | X |
| 150 | 28-14279-1 | . . Blade Grip (Superseded by 28-14279-3) | 1 | X | X | X | X | X | X | X |
| - | 28-14270-1 | . . Placard | 1 | X | X | X | X | X | X | X |

ENSTROM F-28/280 SERIES ILLUSTRATED PARTS CATALOG

FIGURE 4-2. MAIN ROTOR BLADE AND RETENTION ASSEMBLY

| ITEM NUMBER | PART NUMBER | DESCRIPTION | QTY PER ASSY | MODELS AFFECTED | | | | | | |
|-------------|---------------|--|--------------|-----------------|-----|-------|------|-------|------|-------|
| | | | | F-28A | 280 | F-28C | 280C | F-28F | 280F | 280FX |
| 160** | 1641-B | . . Fitting (1/4"-28 UNF-3B) | 2 | X | X | X | X | X | X | X |
| 160† | 1650 | . . Grease Fitting (1/8" NPT) | 2 | X | X | X | X | X | X | X |
| 160 | 5045 | . . Grease Fitting (Superseded by 1650) (Obsolete) | 2 | X | X | X | X | X | X | X |
| 170▲ | 28-14320-15 | . . Thrust Bearing Assembly | 1 | X | X | X | X | X | X | X |
| 180 | 28-14293-7 | . . Shim (0.002") | A/R | X | X | X | X | X | X | X |
| 180 | 28-14293-9 | . . Shim (0.004") | A/R | X | X | X | X | X | X | X |
| 180 | 28-14293-11 | . . Shim (0.0075") | A/R | X | X | X | X | X | X | X |
| 180 | 28-14293-13 | . . Shim (0.010") | A/R | X | X | X | X | X | X | X |
| 190▲ | 28-14335-1 | . . Nut | 1 | X | X | X | X | X | X | X |
| 200 | MS24665-360 | . . Pin | 1 | X | X | X | X | X | X | X |
| 200 | AN380-4-8 | . . Pin (Superseded by MS24665-360) | 1 | X | X | X | X | X | X | X |
| 210 | 28-14239-1 | . . Cover Assembly (Metal) | 1 | X | X | X | X | X | X | X |
| 210 | 28-14239-5 | . . Cover Assembly (Superseded by 28-14239-1) | 1 | X | X | X | X | X | X | X |
| - | 28-14239-3 | . . . Cover | 1 | X | X | X | X | X | X | X |
| - | 28-14239-11 | . . . Cover (Superseded by 28-14239-3) | 1 | X | X | X | X | X | X | X |
| - | 980-001 | . . . Channel | A/R | X | X | X | X | X | X | X |
| - | X-142 | . . . Channel (Superseded by 980-001) | A/R | X | X | X | X | X | X | X |
| 220≡ | NP500-8R6 | . . Screw | 3 | X | X | X | X | X | X | X |
| 230 | NAS1149DN832H | . . Washer | 5 | X | X | X | X | X | X | X |
| 230 | AN960D8 | . . Washer (Superseded by NAS1149DN832H) | 5 | X | X | X | X | X | X | X |
| 240 | 28-14100-9 | . Blade Assembly | 3 | X | X | X | X | X | X | X |
| 242 | 28-14119-11 | . . Trim Tab | 2 | X | X | X | X | X | X | X |
| - | MS20470AD3-4 | . . Rivet | 10 | X | X | X | X | X | X | X |
| 250▲ | 28-14007-3 | . Pin – Drag Hinge | 3 | X | X | X | X | X | X | X |
| 250 | 28-14007-1 | . Pin (Superseded by 28-14007-3) | 3 | X | X | X | X | X | X | X |
| 260 | NAS1149C1290R | . Washer | 3 | X | X | X | X | X | X | X |

ENSTROM F-28/280 SERIES ILLUSTRATED PARTS CATALOG

FIGURE 4-2. MAIN ROTOR BLADE AND RETENTION ASSEMBLY

| ITEM NUMBER | PART NUMBER | DESCRIPTION | QTY PER ASSY | MODELS AFFECTED | | | | | | |
|-------------|---------------|--|--------------|-----------------|-----|-------|------|-------|------|-------|
| | | | | F-28A | 280 | F-28C | 280C | F-28F | 280F | 280FX |
| 260 | AN960C1216 | . Washer (Superseded by NAS1149C1290R) | 3 | X | X | X | X | X | X | X |
| 270 | AN364-1216A | . Nut | 3 | X | X | X | X | X | X | X |
| 280 ▲ | 28-14283-1 | . Drag Link | 3 | X | X | X | X | X | X | X |
| 290 | AN176-15A | . Bolt | 3 | X | X | X | X | X | X | X |
| 300 | AN176-17A | . Bolt | 3 | X | X | X | X | X | X | X |
| 310 | NAS1149D0663H | . Washer | 18 | X | X | X | X | X | X | X |
| 310 | AN960D616 | . Washer (Superseded by NAS1149D0663H) | 18 | X | X | X | X | X | X | X |
| 320 | MS21083N6 | . Nut | 6 | X | X | X | X | X | X | X |
| 320 | AN364-624A | . Nut (Superseded by MS21083N6) | 6 | X | X | X | X | X | X | X |
| 330 ▲ | 28-14278-1 | . Pitch Arm | 3 | X | X | X | X | X | X | X |
| 340 | MS20074-05-06 | . Bolt | 6 | X | X | X | X | X | X | X |
| 340 | AN75A6 | . Bolt (Superseded by MS20074-05-06) | 6 | X | X | X | X | X | X | X |
| 350 | AN75-A12 | . Bolt | 6 | X | X | X | X | X | X | X |
| 350 | MS20074-05-12 | . Bolt (Alternate) | 6 | X | X | X | X | X | X | X |
| 350 | MS24677-52 | . Screw (Alternate) | 6 | X | X | X | X | X | X | X |
| 360 | NAS1149F0563P | . Washer (0.063) | 18 | X | X | X | X | X | X | X |
| 360 | AN960-516 | . Washer (Superseded by NAS1149F0563P) | 18 | X | X | X | X | X | X | X |
| 360* | NAS1149F0532P | . Washer | A/R | X | X | X | X | X | X | X |
| 360* | AN960-516L | . Washer (Superseded by NAS1149F0532P) | A/R | X | X | X | X | X | X | X |
| 370 | 28-14141-913 | . Leading Edge Tape | A/R | X | X | X | X | X | X | X |
| 380 | 28-14109-1 | . Plug, Balance (Per Blade) | 2 | X | X | X | X | X | X | X |
| - | 28-14110-1 | . . Washer - Balance | A/R | X | X | X | X | X | X | X |
| - | 28-14110-2 | . . Washer - Balance | A/R | X | X | X | X | X | X | X |
| - | 28-14110-3 | . . Washer - Balance | A/R | X | X | X | X | X | X | X |
| - | MS24693-S287 | . . Screw | 2 | X | X | X | X | X | X | X |
| - | ACF-50 | . . Lubricant: Anti Corrosive | A/R | X | X | X | X | X | X | X |

ENSTROM F-28/280 SERIES ILLUSTRATED PARTS CATALOG

- * Use one (1) AN960-516L with MS24677-49. Use one (1) AN960-516L and one (1) AN960-516 with MS24677-52.
- ▲ Available as a remanufactured part. Add an "R" to the end of the part number when ordering.
- ≡ See Appendix A for equivalent part information.
- ** Effectivity F28F S/N 812 and prior, 280FX S/N 2081 and prior, F28A/C all S/N, and 280C/F all S/N, if equipped with original grips (with 1/4"-28 UNF-3B pipe thread).
- † Effectivity F28F S/N 831 and subsequent. Effectivity 280FX S/N 2138 and subsequent. Retrofittable to F28F S/N 813 and 280FX S/N 2082 and subsequent.

ENSTROM F-28/280 SERIES ILLUSTRATED PARTS CATALOG

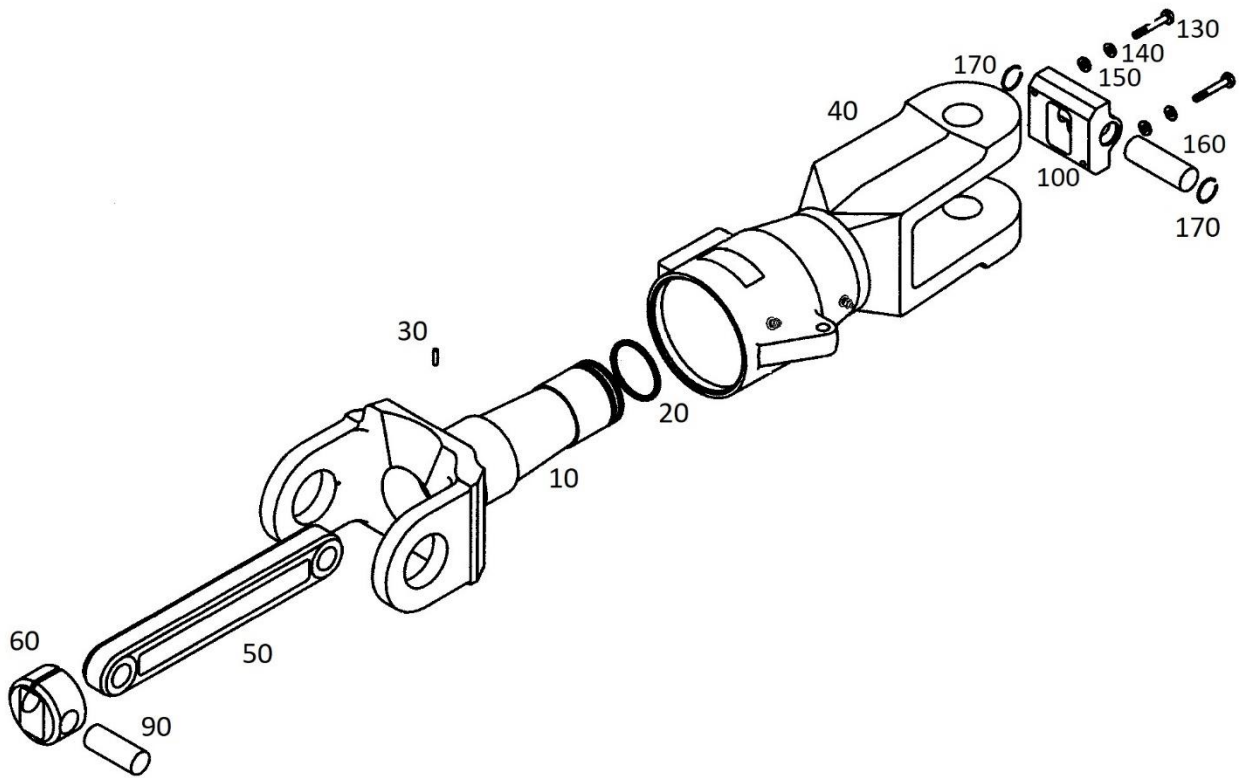


FIGURE 4-2.1. RETENTION ASSEMBLY (STC SR03465CH)

ENSTROM F-28/280 SERIES ILLUSTRATED PARTS CATALOG

FIGURE 4-2.1. RETENTION ASSEMBLY (STC SR03465CH)

| ITEM NUMBER | PART NUMBER | DESCRIPTION | QTY PER ASSY | MODELS AFFECTED | | | | | | |
|-------------|----------------|------------------------------|--------------|-----------------|-----|-------|------|-------|------|-------|
| | | | | F-28A | 280 | F-28C | 280C | F-28F | 280F | 280FX |
| 10 | 28-14385-15 | . Spindle | 1 | X | X | X | X | X | X | X |
| 10A* | AA-28-14385-15 | . Spindle (Alternate) | 1 | X | X | X | X | X | X | X |
| 20 | CR 17240 | . Seal: Retention | 1 | X | X | X | X | X | X | X |
| 30 | MS16555-27 | . Pin | 1 | X | X | X | X | X | X | X |
| 40 | 28-14386-5 | . Grip Assembly | 1 | X | X | X | X | X | X | X |
| 40A* | AA-28-14386-1 | . Grip Assembly (Alternate) | 1 | X | X | X | X | X | X | X |
| 50* | AA-ECD-084-280 | . Tension/Torsion Strap | 1 | X | X | X | X | X | X | X |
| 60 | 28-14381-902 | . Cylinder Assembly | 1 | X | X | X | X | X | X | X |
| -70 | 28-14383-13 | . . Cylinder | 1 | X | X | X | X | X | X | X |
| -80 | 28-14389-13 | . . Cover | 1 | X | X | X | X | X | X | X |
| 90 | 28-14382-21 | . Pin | 2 | X | X | X | X | X | X | X |
| 100 | 28-14381-901 | . Lug Assembly | 1 | X | X | X | X | X | X | X |
| -110 | 28-14389-11 | . . Cover | 1 | X | X | X | X | X | X | X |
| -120 | 28-14384-13 | . . Lug – TT Strap Retention | 1 | X | X | X | X | X | X | X |
| 130 | AN3-12A | . Bolt | 2 | X | X | X | X | X | X | X |
| 140 | AN960-10 | . Washer | 2 | X | X | X | X | X | X | X |
| 150 | AN960-10L | . Washer | 2 | X | X | X | X | X | X | X |
| 160 | 28-14382-19 | . Pin | 1 | X | X | X | X | X | X | X |
| 170 | VH-75 | . Retaining Ring | 2 | X | X | X | X | X | X | X |

* Supplied by Airwolf Aerospace as part of STC SR03465CH.

ENSTROM F-28/280 SERIES ILLUSTRATED PARTS CATALOG

FIGURE 4-3. FLAPPING PIN AND DAMPER INSTALLATION

| ITEM NUMBER | PART NUMBER | DESCRIPTION | QTY PER ASSY | MODELS AFFECTED | | | | | | |
|-------------|----------------|-----------------------------------|--------------|-----------------|-----|-------|------|-------|------|-------|
| | | | | F-28A | 280 | F-28C | 280C | F-28F | 280F | 280FX |
| 10 | 28-14227-11 | . Lock Nut | 3 | X | X | X | X | X | X | X |
| 10 | N-09 | . Nut (Superseded by 28-14227-11) | 3 | X | X | X | X | X | X | X |
| 20 | W-09 | . Lock Washer | 3 | X | X | X | X | X | X | X |
| 30 | 28-14236-1 | . Washer | 6 | X | X | X | X | X | X | X |
| 40 | 28-14019-2 | . Shim (0.002") (Obsolete) | A/R | X | X | X | X | X | X | X |
| 40 | 28-14019-3 | . Shim (0.003") | A/R | X | X | X | X | X | X | X |
| 40 | 28-14019-5 | . Shim (0.005") | A/R | X | X | X | X | X | X | X |
| 40 | 28-14019-6 | . Shim (0.006") | A/R | X | X | X | X | X | X | X |
| 40 | 28-14019-10 | . Shim (0.010") | A/R | X | X | X | X | X | X | X |
| 60▲ | 28-14233-3 | . Pin | 3 | X | X | X | X | X | X | X |
| 60 | 28-14233-2 | . Pin (Superseded by 28-14233-3) | 3 | X | X | X | X | X | X | X |
| 70 | MS16562-215 | . Pin | 3 | X | X | X | X | X | X | X |
| 70 | 23S-094-0625 | . Pin (Alternate) | 3 | X | X | X | X | X | X | X |
| 90 | LWB-22-6-58 | . Bolt | 3 | X | X | X | X | X | X | X |
| 90 | HPF1260-6-58 | . Bolt (Alternate) | 3 | X | X | X | X | X | X | X |
| 90 | NAS626-58 | . Bolt (Alternate) | 3 | X | X | X | X | X | X | X |
| 100 | WC-22-6 | . Washer | 3 | X | X | X | X | X | X | X |
| 100 | MS21299C6 | . Washer (Alternate) | 3 | X | X | X | X | X | X | X |
| 110 | WP-22-6 | . Washer | 3 | X | X | X | X | X | X | X |
| 110 | AP22-6 | . Washer (Alternate) | 3 | X | X | X | X | X | X | X |
| 120 | FN22M-624 | . Nut | 3 | X | X | X | X | X | X | X |
| 130 | AN178-21 | . Bolt | 3 | X | X | X | X | X | X | X |
| 140 | AN960-816 | . Washer (0.063") | 9 | X | X | X | X | X | X | X |
| 150 | 28-14259-1 | . Washer | 6 | X | X | X | X | X | X | X |
| 160 | F12NE-4753-080 | . Nut (0.563") | 3 | X | X | X | X | X | X | X |
| 170 | MS24665-302 | . Pin | 3 | X | X | X | X | X | X | X |
| 170 | AN381-3-16 | . Pin (Superseded by MS24665-302) | 3 | X | X | X | X | X | X | X |

▲ Available as a remanufactured part. Add an "R" to the end of the part number when ordering.

ENSTROM F-28/280 SERIES ILLUSTRATED PARTS CATALOG

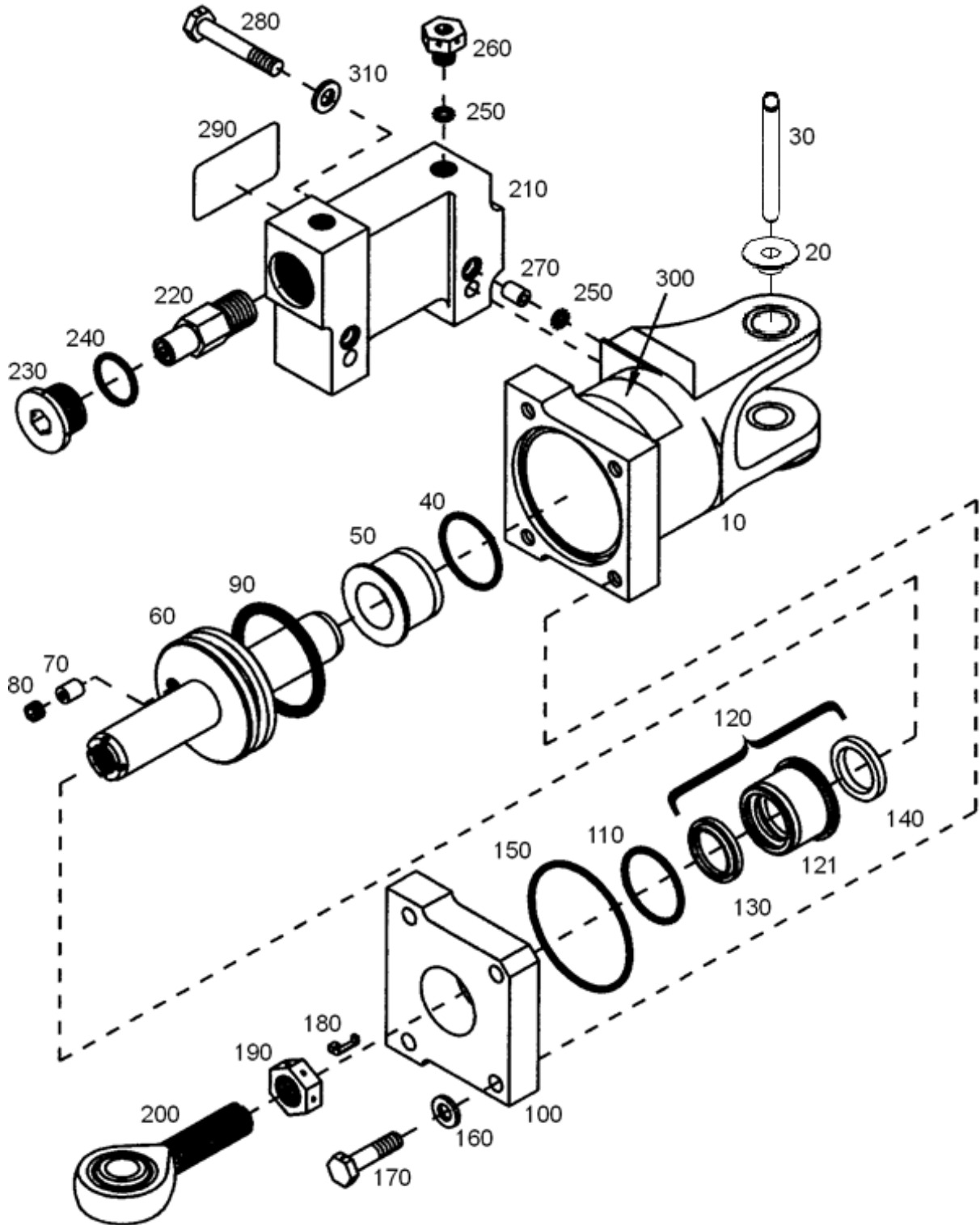


FIGURE 4-4. HYDRAULIC DAMPER ASSEMBLY (28-14375-101)

ENSTROM F-28/280 SERIES ILLUSTRATED PARTS CATALOG

FIGURE 4-4. HYDRAULIC DAMPER ASSEMBLY (28-14375-101)

| ITEM NUMBER | PART NUMBER | DESCRIPTION | QTY PER ASSY | MODELS AFFECTED | | | | | | |
|-------------|---------------|--|--------------|-----------------|-----|-------|------|-------|------|-------|
| | | | | F-28A | 280 | F-28C | 280C | F-28F | 280F | 280FX |
| -†▲ | 28-14375-101 | . Damper Assembly | 3 | X | X | X | X | X | X | X |
| -** | 28-14375-105 | . Damper Assembly (Superseded by 28-14375-101) | 3 | X | X | X | X | X | X | X |
| -* | 28-14375-7 | . Damper (Superseded by 28-14375-105) | 3 | X | X | X | X | X | X | X |
| - | 28-14375-906 | . . Damper Housing Assembly | 1 | X | X | X | X | X | X | X |
| 10▲ | 28-14357-5 | . . . Housing (Used with -105) | 1 | X | X | X | X | X | X | X |
| 10▲ | 28-14357-3 | . . . Housing (Used with -101) | 1 | X | X | X | X | X | X | X |
| - | 28-14268-1 | . . . Sleeve - Housing | 1 | X | X | X | X | X | X | X |
| 20 | 28-14276-1 | . . . Bushing (Used with -105) | 2 | X | X | X | X | X | X | X |
| 20 | 28-14359-15 | . . . Bushing (Used with -101) | 2 | X | X | X | X | X | X | X |
| 30 | 28-14277-1 | . . . Bushing (Used with -105) | 1 | X | X | X | X | X | X | X |
| 30 | 28-14359-17 | . . . Spacer (Used with -101) | 1 | X | X | X | X | X | X | X |
| 40 | 2-025 E515-80 | . . . O-Ring (0.070") | 1 | X | X | X | X | X | X | X |
| 40 | NAS1611-025 | . . . O-Ring (Alternate) | 1 | X | X | X | X | X | X | X |
| 50 | 28-14358-3 | . . . Sleeve Assembly (See item 120 for breakdown) | 1 | X | X | X | X | X | X | X |
| 60▲ | 28-14370-17 | . . Piston | 1 | X | X | X | X | X | X | X |
| 60▲ | 28-14370-15 | . . Piston (Superseded by 28-14370-17) | 1 | X | X | X | X | X | X | X |
| 70 | 28-14372-3 | . . Sleeve | 1 | X | X | X | X | X | X | X |
| 70 | 28-14372-1 | . . Sleeve (Superseded by 28-14372-15) | 1 | X | X | X | X | X | X | X |
| 80▲ | 28-14371-1 | . . Set Screw | 1 | X | X | X | X | X | X | X |
| 90 | PGZF0A0180 | . . Seal (Preferred) | 1 | X | X | X | X | X | X | X |
| 90 | 2-326 E515-80 | . . O-Ring (0.210") | 1 | X | X | X | X | X | X | X |
| 90 | NAS1611-326 | . . O-Ring (Alternate) | 1 | X | X | X | X | X | X | X |
| - | 28-14375-905 | . . Damper Cover Assembly | 1 | X | X | X | X | X | X | X |
| 100 | 28-14265-3 | . . . Cap | 1 | X | X | X | X | X | X | X |
| 110 | 2-025 E515-80 | . . . O-Ring (0.070") | 1 | X | X | X | X | X | X | X |
| 110 | NAS1611-025 | . . . O-Ring (Alternate) | 1 | X | X | X | X | X | X | X |

ENSTROM F-28/280 SERIES ILLUSTRATED PARTS CATALOG

FIGURE 4-4. HYDRAULIC DAMPER ASSEMBLY (28-14375-101)

| ITEM NUMBER | PART NUMBER | DESCRIPTION | QTY PER ASSY | MODELS AFFECTED | | | | | | |
|-------------|---------------|--|--------------|-----------------|-----|-------|------|-------|------|-------|
| | | | | F-28A | 280 | F-28C | 280C | F-28F | 280F | 280FX |
| 120 | 28-14358-4 | . . . Sleeve Assembly | 1 | X | X | X | X | X | X | X |
| 121 ▲ | 28-14356-5 | Sleeve | 1 | X | X | X | X | X | X | X |
| 130 | 959-5 | Wiper Ring | 1 | X | X | X | X | X | X | X |
| 140 | 12500750-125B | Seal | 1 | X | X | X | X | X | X | X |
| 140 | 12500750 | Seal (Superseded by 12500750-125B) | 1 | X | X | X | X | X | X | X |
| 150 | 2-137 E515-80 | . . O-Ring (0.103") | 1 | X | X | X | X | X | X | X |
| 150 | NAS1611-137 | . . O-Ring (Alternate) | 1 | X | X | X | X | X | X | X |
| 160 | NAS1149F0463P | . . Washer (0.063) | 6 | X | X | X | X | X | X | X |
| 160 | AN960-416 | . . Washer (Superseded by NAS1149F0463P) | 6 | X | X | X | X | X | X | X |
| 170 | AN4H10A | . . Bolt | 4 | X | X | X | X | X | X | X |
| 180 | NAS559-3 | . . Lock – Rod End | 1 | X | X | X | X | X | X | X |
| 190 | NAS509-8 | . . Nut (Drilled) | 1 | X | X | X | X | X | X | X |
| 200 | ECD091-1 | . . Bearing | 1 | X | X | X | X | X | X | X |
| 210 ▲ | 28-14366-1 | . . Housing | 1 | X | X | X | X | X | X | X |
| 220 ▲ | 28-14367-7 | . . Relief Valve Assembly | 2 | X | X | X | X | X | X | X |
| 230 ▲ | 28-14368-2 | . . Plug | 2 | X | X | X | X | X | X | X |
| 240 | NAS1612-10 | . . . O-Ring | 1 | X | X | X | X | X | X | X |
| 250 | NAS1612-2 | . . O-Ring (0.064) | 4 | X | X | X | X | X | X | X |
| 260 ▲ | AN814-2DL | . . Plug | 2 | X | X | X | X | X | X | X |
| 270 | 28-14369-1 | . . Sleeve | 2 | X | X | X | X | X | X | X |
| 280 | AN4H15A | . . Bolt | 2 | X | X | X | X | X | X | X |
| 290 | 28-14374-15 | . . Placard | 1 | X | X | X | X | X | X | X |
| 300 | 28-13145-1 | . . ID Placard | 1 | X | X | X | X | X | X | X |

ENSTROM F-28/280 SERIES ILLUSTRATED PARTS CATALOG

FIGURE 4-4. HYDRAULIC DAMPER ASSEMBLY (28-14375-101)

| ITEM NUMBER | PART NUMBER | DESCRIPTION | QTY PER ASSY | MODELS AFFECTED | | | | | | |
|-------------|---------------|-------------|--------------|-----------------|-----|-------|------|-------|------|-------|
| | | | | F-28A | 280 | F-28C | 280C | F-28F | 280F | 280FX |
| 310 | NAS1149F0463P | . . Washer | 2 | X | X | X | X | X | X | X |
| - | MS20995C32 | . . Wire | A/R | X | X | X | X | X | X | X |

* Effectivity F28F S/N 818 and previous. Effectivity 280FX S/N 2124 and previous. Retrofittable to F28F S/N 509 and 280FX S/N 2001.

** Effectivity F28F S/N 818 and previous. Effectivity 280FX S/N 2125 and previous.

† Effectivity F28F S/N 819 and subsequent. Effectivity 280FX S/N 2126 and subsequent. Retrofittable to F28F S/N 509 and 280FX S/N 2001

NOTE: Dampers returned to Enstrom for overhaul will be upgraded to the latest configuration.

▲ Available as a remanufactured part. Add an "R" to the end of the part number when ordering.

ENSTROM F-28/280 SERIES ILLUSTRATED PARTS CATALOG

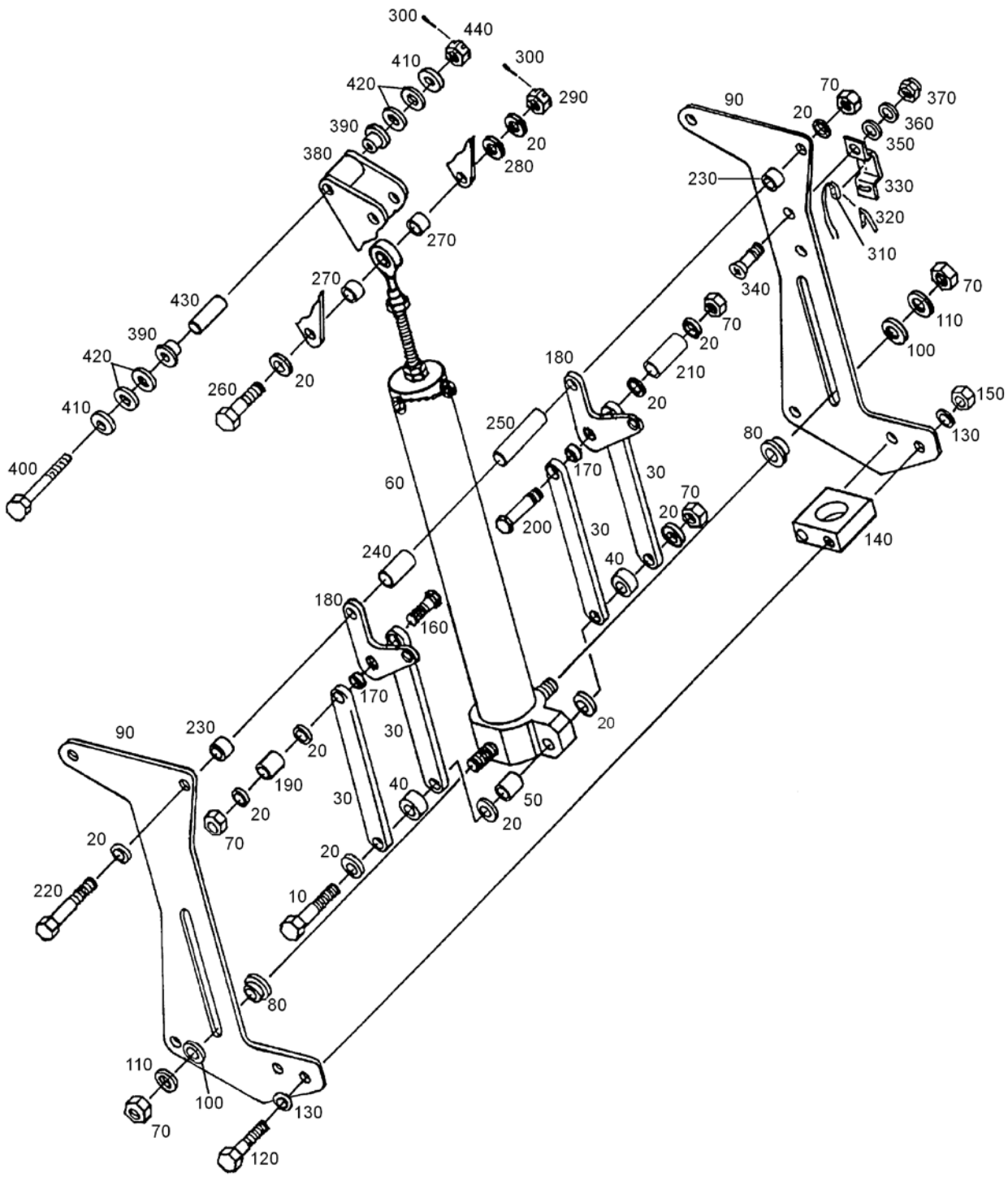
SECTION 5

BELT DRIVE ASSEMBLY

TABLE OF CONTENTS

| | | |
|---------------------|--|------|
| | Cover Page | 5-1 |
| | Table of Contents | 5-1 |
| 5-1 | Belt Tension Assembly and Installation | 5-2 |
| 5-2 | Spring Housing Assembly | 5-7 |
| 5-3 | Idler Pulley and Support Assembly | 5-9 |
| 5-4 | Jack Strut and Pulley Assembly | 5-15 |
| 5-5 | Main Drive Engagement Control System | 5-21 |
| 5-6 | Main Rotor Gearbox Installation | 5-25 |
| 5-7 | Main Rotor Transmission Seal Retainer Assembly | 5-30 |

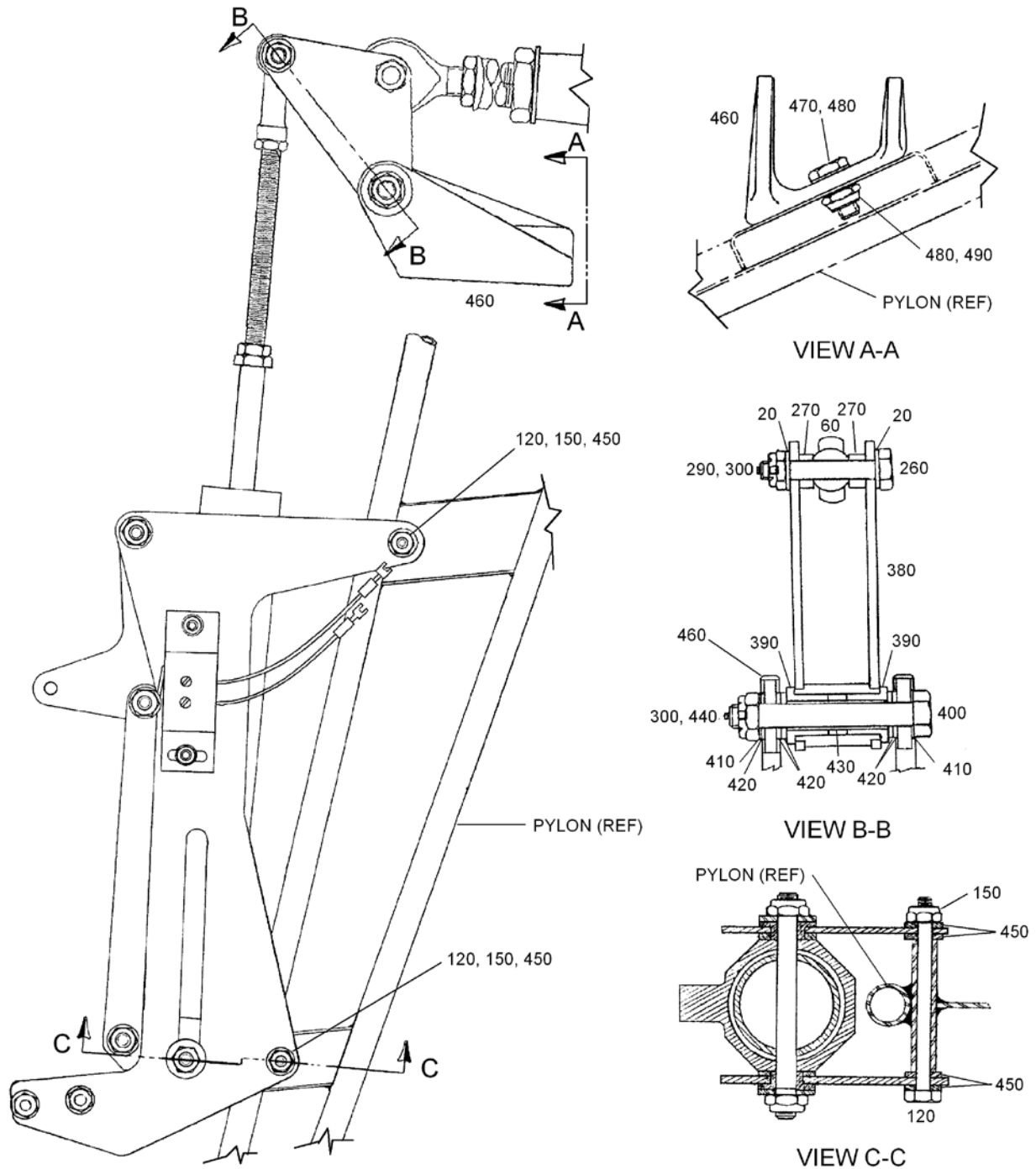
ENSTROM F-28/280 SERIES ILLUSTRATED PARTS CATALOG



Sheet 1 of 2

FIGURE 5-1. BELT TENSION ASSEMBLY AND INSTALLATION

ENSTROM F-28/280 SERIES ILLUSTRATED PARTS CATALOG



Sheet 2 of 2

FIGURE 5-1. BELT TENSION ASSEMBLY AND INSTALLATION

ENSTROM F-28/280 SERIES ILLUSTRATED PARTS CATALOG

FIGURE 5-1. BELT TENSION ASSEMBLY AND INSTALLATION

| ITEM NUMBER | PART NUMBER | DESCRIPTION | QTY PER ASSY | MODELS AFFECTED | | | | | | |
|-------------|---------------|--|--------------|-----------------|-----|-------|------|-------|------|-------|
| | | | | F-28A | 280 | F-28C | 280C | F-28F | 280F | 280FX |
| - | 28-132020-901 | . Tension Belt System Drive | 1 | X | X | X | X | X | X | X |
| 10 | AN4-15A | . Bolt | 1 | X | X | X | X | X | X | X |
| 20 | NAS1149F0432P | . Washer | 12 | X | X | X | X | X | X | X |
| 20 | AN960-416L | . Washer (Superseded By NAS1149F0432P) | 12 | X | X | X | X | X | X | X |
| 30 | 28-13268-1 | . Strap – Push-Pull | 4 | X | X | X | X | X | X | X |
| 40 | 28-13277-1 | . Spacer | 2 | X | X | X | X | X | X | X |
| 50 | 28-13285-6 | . Spacer | 1 | X | X | X | X | X | X | X |
| 60 | 28-13259-4 | . Assembly – Spring Housing (See Figure 5-2 For Breakdown) | 1 | X | X | X | X | X | X | X |
| 70 | MS21083N4 | . Nut | 6 | X | X | X | X | X | X | X |
| 70 | AN364-428A | . Nut (Superseded by MS21083N4) | 6 | X | X | X | X | X | X | X |
| 80 | 28-13264-1 | . Guide | 2 | X | X | X | X | X | X | X |
| 90 | 28-13283-1 | . Bracket | 2 | X | X | X | X | X | X | X |
| 100 | 28-13265-1 | . Washer | 2 | X | X | X | X | X | X | X |
| 110 | 1/4 Harper | . Washer | 2 | X | X | X | X | X | X | X |
| 120 | AN3-22A | . Bolt | 4 | X | X | X | X | X | X | X |
| 130 | NAS1149F0332P | . Washer | 4 | X | X | X | X | X | X | X |
| 130 | AN960-10L | . Washer (Superseded By NAS1149F0332P) | 4 | X | X | X | X | X | X | X |
| 140 | 28-13269-1 | . Fitting | 1 | X | X | X | X | X | X | X |
| 150 | MS21083N3 | . Nut | 4 | X | X | X | X | X | X | X |
| 150 | AN364-1032A | . Nut (Superseded by MS21083N3) | 4 | X | X | X | X | X | X | X |
| 160 | 28-13266-1 | . Bolt | 1 | X | X | X | X | X | X | X |
| 170 | 28-13285-7 | . Spacer | 2 | X | X | X | X | X | X | X |
| 180 | 28-13274-1 | . Bellcrank | 2 | X | X | X | X | X | X | X |
| 190 | 28-13267-1 | . Spacer | 1 | X | X | X | X | X | X | X |
| 200 | 28-13266-15 | . Bolt | 1 | X | X | X | X | X | X | X |

ENSTROM F-28/280 SERIES ILLUSTRATED PARTS CATALOG

FIGURE 5-1. BELT TENSION ASSEMBLY AND INSTALLATION

| ITEM NUMBER | PART NUMBER | DESCRIPTION | QTY PER ASSY | MODELS AFFECTED | | | | | | |
|-------------|----------------|---|--------------|-----------------|-----|-------|------|-------|------|-------|
| | | | | F-28A | 280 | F-28C | 280C | F-28F | 280F | 280FX |
| 210 | 28-13267-11 | . . Spacer | 1 | X | X | X | X | X | X | X |
| 220 | AN4-23A | . . Bolt | 1 | X | X | X | X | X | X | X |
| 230 | 28-13280-3 | . . Spacer | 2 | X | X | X | X | X | X | X |
| 240 | 28-13280-4 | . . Spacer | 1 | X | X | X | X | X | X | X |
| 250 | 28-13285-5 | . . Spacer | 1 | X | X | X | X | X | X | X |
| 260 | AN4-14 | . . Bolt | 1 | X | X | X | X | X | X | X |
| 270 | 28-16520-1 | . . Spacer | 2 | X | X | X | X | X | X | X |
| 280 | NAS1149F0463P | . . Washer (0.063) | 1 | X | X | X | X | X | X | X |
| 280 | AN960-416 | . . Washer (Superseded by NAS1149F0463P) | 1 | X | X | X | X | X | X | X |
| 290 | MS17825-4 | . . Nut (0.281") | 1 | X | X | X | X | X | X | X |
| 290 | F12NE-4753-048 | . . Nut (Superseded by MS17825-4) | 1 | X | X | X | X | X | X | X |
| 300 | MS24665-151 | . . Pin | 2 | X | X | X | X | X | X | X |
| 300 | AN381-2-10 | . . Pin (Superseded by MS24665-151) | 2 | X | X | X | X | X | X | X |
| - | 28-132022-1 | . . Micro-Switch Assembly | 1 | X | X | X | X | X | X | X |
| 310 | 1SE1 | . . . Switch | 1 | X | X | X | X | X | X | X |
| 320 | JE-1 | . . . Actuator (Includes Mounting Hardware) | 1 | X | X | X | X | X | X | X |
| 330 | 28-132022-11 | . . . Bracket | 1 | X | X | X | X | X | X | X |
| 340 | AN525-8R6 | . . Screw | 2 | X | X | X | X | X | X | X |
| 350 | MS35338-42 | . . Washer (#8 Lite) | 2 | X | X | X | X | X | X | X |
| 350 | AN935-8 | . . Washer (Superseded by MS35338-42) | 2 | X | X | X | X | X | X | X |
| 360 | NAS1149FN816P | . . Washer | 2 | X | X | X | X | X | X | X |
| 360 | AN960-8L | . . Washer (Superseded by NAS1149F0816P) | 2 | X | X | X | X | X | X | X |
| 370 | MS35649-282 | . . Nut | 2 | X | X | X | X | X | X | X |
| 370 | AN340-8 | . . Nut (Superseded by MS35649-282) | 2 | X | X | X | X | X | X | X |
| 380 | 28-13260-1 | . . Bellcrank Assembly | 1 | X | X | X | X | X | X | X |

ENSTROM F-28/280 SERIES ILLUSTRATED PARTS CATALOG

FIGURE 5-1. BELT TENSION ASSEMBLY AND INSTALLATION

| ITEM NUMBER | PART NUMBER | DESCRIPTION | QTY PER ASSY | MODELS AFFECTED | | | | | | |
|-------------|----------------|---|--------------|-----------------|-----|-------|------|-------|------|-------|
| | | | | F-28A | 280 | F-28C | 280C | F-28F | 280F | 280FX |
| 390 | FB68-4 | . . . Bushing: Flanged 0.375" (0.500") BR | 2 | X | X | X | X | X | X | X |
| 400 | AN5-22 | . . Bolt | 1 | X | X | X | X | X | X | X |
| 410 | NAS1149F0532P | . . Washer | 2 | X | X | X | X | X | X | X |
| 410 | AN960-516L | . . Washer (Superseded by NAS1149F0532P) | 2 | X | X | X | X | X | X | X |
| 420 | NAS1149F0563P | . . Washer (0.063) | 5 | X | X | X | X | X | X | X |
| 420 | AN960-516 | . . Washer (Superseded by NAS1149F0563P) | 5 | X | X | X | X | X | X | X |
| 430 | 28-13284-1 | . . Spacer | 1 | X | X | X | X | X | X | X |
| 440 | MS17825-5 | . . Nut (0.328") | 1 | X | X | X | X | X | X | X |
| 440 | F12NE-4753-054 | . . Nut (Superseded by MS17825-5) | 1 | X | X | X | X | X | X | X |
| 450 | NAS1149F0363P | . . Washer (0.063") | 4 | X | X | X | X | X | X | X |
| 450 | AN960-10 | . . Washer (Superseded by NAS1149F0363P) | 4 | X | X | X | X | X | X | X |
| 460 | 28-11128-1 | . Mount Bracket | 1 | X | X | X | X | X | X | X |
| 470 | AN4-6A | . Bolt | 2 | X | X | X | X | X | X | X |
| 480 | ECD050-11 | . Washer | 4 | X | X | X | X | X | X | X |
| 490 | MS21083N4 | . Nut | 2 | X | X | X | X | X | X | X |
| 490 | AN364-428A | . Nut (Superseded by MS21083N4) | 2 | X | X | X | X | X | X | X |

ENSTROM F-28/280 SERIES ILLUSTRATED PARTS CATALOG

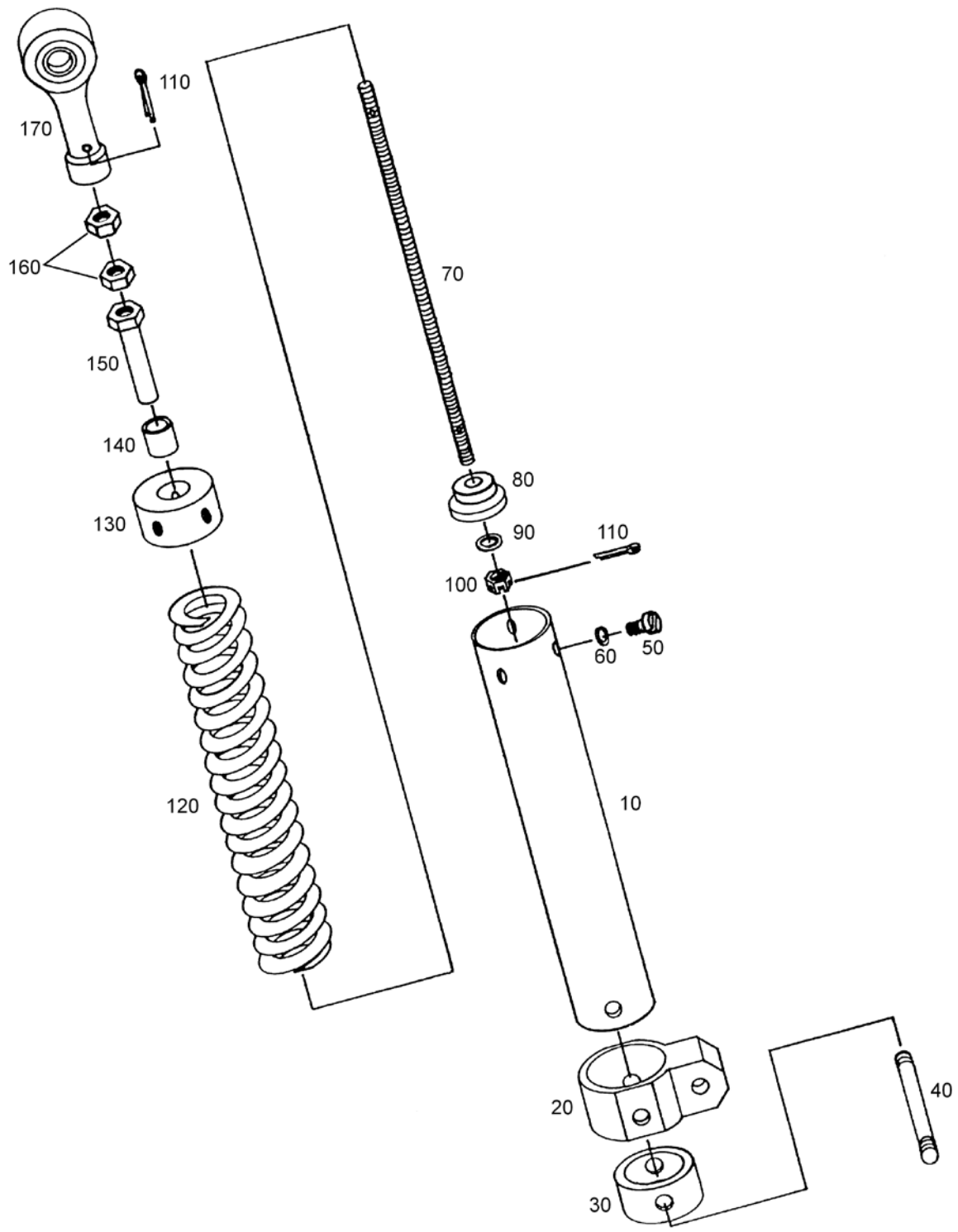


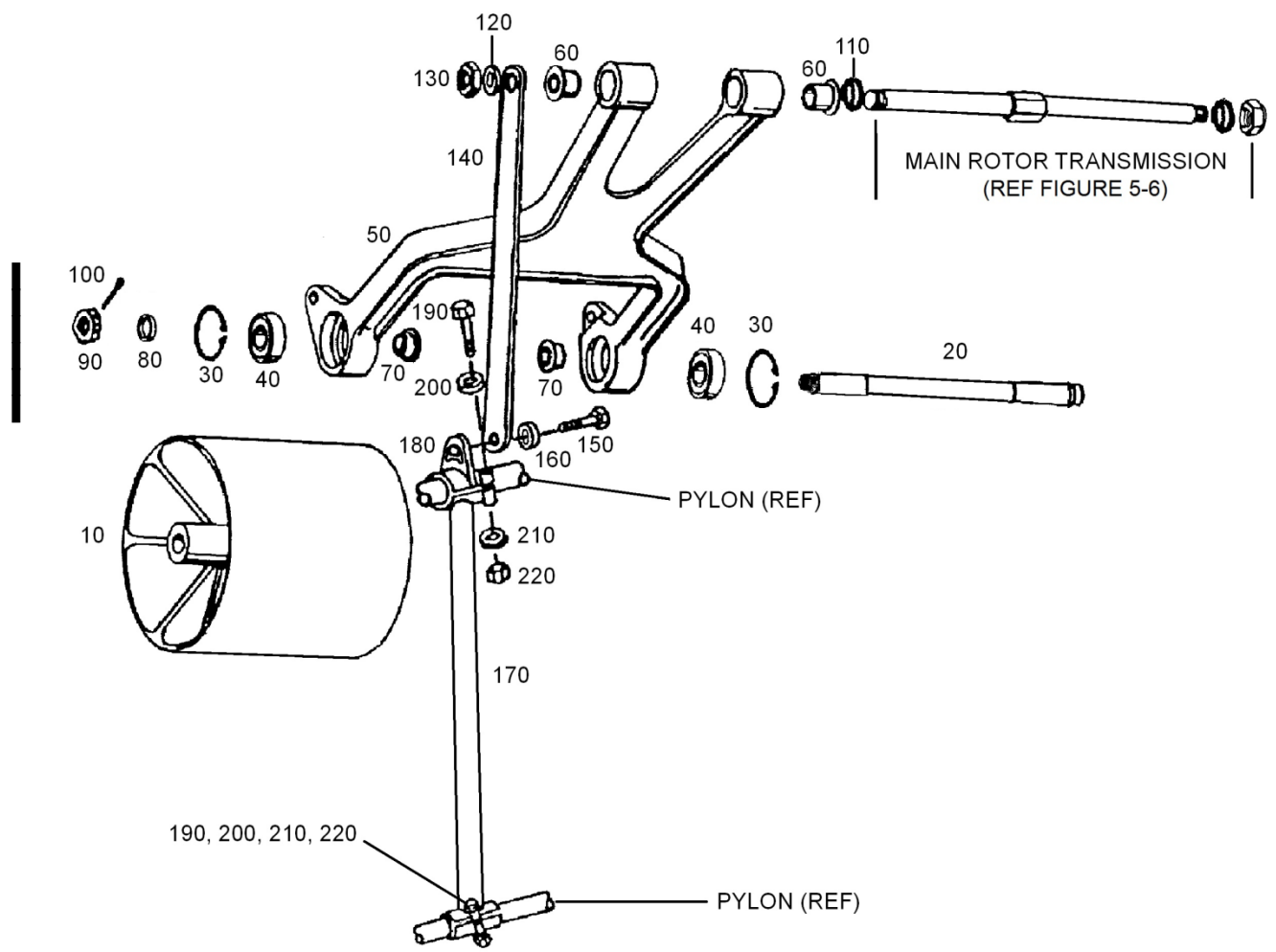
FIGURE 5-2. SPRING HOUSING ASSEMBLY

ENSTROM F-28/280 SERIES ILLUSTRATED PARTS CATALOG

FIGURE 5-2. SPRING HOUSING ASSEMBLY

| ITEM NUMBER | PART NUMBER | DESCRIPTION | QTY PER ASSY | MODELS AFFECTED | | | | | | |
|-------------|----------------|--|--------------|-----------------|-----|-------|------|-------|------|-------|
| | | | | F-28A | 280 | F-28C | 280C | F-28F | 280F | 280FX |
| - | 28-13259-4 | . Assembly – Spring Housing | 1 | X | X | X | X | X | X | X |
| 10 | 28-13253-1 | . . Housing, Spring | 1 | X | X | X | X | X | X | X |
| 20 | 28-13250-11 | . . Anchor | 1 | X | X | X | X | X | X | X |
| 20 | 28-13250-1 | . . Anchor (Replaced by 28-13250-11) | 1 | X | X | X | X | X | X | X |
| 30 | 28-13251-1 | . . Retainer | 1 | X | X | X | X | X | X | X |
| 40 | 28-13254-1 | . . Shaft | 1 | X | X | X | X | X | X | X |
| 50 | AN503-10-6 | . . Screw | 3 | X | X | X | X | X | X | X |
| 60 | NAS1149F0332P | . . Washer | 3 | X | X | X | X | X | X | X |
| 60 | AN960-10L | . . Washer (Superseded by NAS1149F0332P) | 3 | X | X | X | X | X | X | X |
| 70 | 28-13256-1 | . . Shaft | 1 | X | X | X | X | X | X | X |
| 80 | 28-13252-1 | . . Cap - Spring | 1 | X | X | X | X | X | X | X |
| 90 | NAS1149F0563P | . . Washer (0.063) | 1 | X | X | X | X | X | X | X |
| 90 | AN960-516 | . . Washer (Superseded by NAS1149F0563P) | 1 | X | X | X | X | X | X | X |
| 100 | MS17825-5 | . . Nut (0.328") | 1 | X | X | X | X | X | X | X |
| 100 | F12NE-4753-054 | . . Nut (Superseded by MS17825-5) | 1 | X | X | X | X | X | X | X |
| 110 | MS24665-151 | . . Pin | 2 | X | X | X | X | X | X | X |
| 110 | AN381-2-8 | . . Pin (Superseded by MS24665-151) | 2 | X | X | X | X | X | X | X |
| 120 | 28-13279-1 | . . Spring | 1 | X | X | X | X | X | X | X |
| 130 | 28-13255-1 | . . Assembly, End Cap | 1 | X | X | X | X | X | X | X |
| 140 | 07DU08 | . . . Bushing, DU, 0.438" (0.500") | 1 | X | X | X | X | X | X | X |
| 150 | 28-13263-1 | . . Adapter | 1 | X | X | X | X | X | X | X |
| 160 | AN316-5R | . . Nut | 2 | X | X | X | X | X | X | X |
| 170 | 02-691-04 | . . Bearing, Rod-End, 1/4" Female | 1 | X | X | X | X | X | X | X |
| - | AEROSHELL 22 | . Grease: Aeroshell #22 Cartridge | A/R | X | X | X | X | X | X | X |
| - | MS20995C32 | . Wire | A/R | X | X | X | X | X | X | X |
| - | VC-3 | . Sealant: Thread, Vibra-Tite | A/R | X | X | X | X | X | X | X |

ENSTROM F-28/280 SERIES ILLUSTRATED PARTS CATALOG



Sheet 1 of 2

FIGURE 5-3. IDLER PULLEY AND SUPPORT ASSEMBLY

ENSTROM F-28/280 SERIES ILLUSTRATED PARTS CATALOG

FIGURE 5-3. IDLER PULLEY AND SUPPORT ASSEMBLY

| ITEM NUMBER | PART NUMBER | DESCRIPTION | QTY PER ASSY | MODELS AFFECTED | | | | | | |
|-------------|----------------|--|--------------|-----------------|-----|-------|------|-------|------|-------|
| | | | | F-28A | 280 | F-28C | 280C | F-28F | 280F | 280FX |
| - | 28-132020-903 | Pulley Idler/Support System Drive | REF | X | X | X | X | X | X | X |
| - | 28-132020-904 | . Idler Pulley And Yoke Assembly | 1 | X | X | X | X | X | X | X |
| 10▲ | 28-13229-1 | . . Idler - Machined | 1 | X | X | X | X | X | X | X |
| 20▲ | 28-13230-1 | . . Shaft, Idler | 1 | X | X | X | X | X | X | X |
| 30 | N5000-137-S-PP | . . Ring (0.050") | 2 | X | X | X | X | X | X | X |
| 40 | ECD018-11 | . . Bearing (1.378") | 2 | X | X | X | X | X | X | X |
| 50 | 28-13292-1 | . . Yoke - Assembly | 1 | X | X | X | X | X | X | X |
| 60 | 28-13292-4 | . . . Bearing (Flanged Bushing) | 2 | X | X | X | X | X | X | X |
| 70 | 28-13233-1 | . . Spacer - Idler | 2 | X | X | X | X | X | X | X |
| 80 | 28-13234-1 | . . Washer | 1 | X | X | X | X | X | X | X |
| 90 | AN320-8 | . . Nut | 1 | X | X | X | X | X | X | X |
| 100 | MS24665-304 | . . Pin | 1 | X | X | X | X | X | X | X |
| 110 | 28-13238-1 | . Spacer | 1 | X | X | X | X | X | X | X |
| 120 | AN960C816 | . Washer | 1 | X | X | X | X | X | X | X |
| 130 | AN364-820A | . Nut | 1 | X | X | X | X | X | X | X |
| 140 | 28-13313-1 | . Idler Stabilizer Strut | 1 | X | X | X | X | X | X | X |
| 150 | AN4-5A | . Bolt | 1 | X | X | X | X | X | X | X |
| 160 | NAS1149C0463R | . Washer | 1 | X | X | X | X | X | X | X |
| 160 | AN960-416 | . Washer (Superseded by NAS1149C0463R) | 1 | X | X | X | X | X | X | X |
| 170 | 28-13316-1 | . Brace Assembly | 1 | X | X | X | X | X | X | X |
| 180 | 28-13316-913 | . . Clamp Half | 1 | X | X | X | X | X | X | X |
| - | NAJ5-048 | . . . Nut Plate | 1 | X | X | X | X | X | X | X |
| - | CCR264SS-3-03 | . . . Rivet | 2 | X | X | X | X | X | X | X |
| 190 | AN3-11A | . Bolt | 4 | X | X | X | X | X | X | X |
| 200 | NAS1149F0332P | . Washer | 4 | X | X | X | X | X | X | X |
| 200 | AN960-10L | . Washer (Superseded by NAS1149F0332P) | 4 | X | X | X | X | X | X | X |
| 210 | NAS1149F0363P | . Washer (0.063") | 4 | X | X | X | X | X | X | X |
| 210 | AN960-10 | . Washer (Superseded by NAS1149F0363P) | 4 | X | X | X | X | X | X | X |

ENSTROM F-28/280 SERIES ILLUSTRATED PARTS CATALOG

FIGURE 5-3. IDLER PULLEY AND SUPPORT ASSEMBLY

| ITEM NUMBER | PART NUMBER | DESCRIPTION | QTY PER ASSY | MODELS AFFECTED | | | | | | |
|-------------|---------------|---|--------------|-----------------|-----|-------|------|-------|------|-------|
| | | | | F-28A | 280 | F-28C | 280C | F-28F | 280F | 280FX |
| 220 | MS21044N3 | . Nut | 4 | X | X | X | X | X | X | X |
| 220 | AN365-1032A | . Nut (Superseded by MS21044N3) | 4 | X | X | X | X | X | X | X |
| 230 | 28-13245-901 | . Roller Pulley Idler System Drive | 1 | X | X | X | X | X | X | X |
| 240 | 28-13297-1 | . . Roller | 1 | X | X | X | X | X | X | X |
| 250 | 28-13248-1 | . . Sleeve | 1 | X | X | X | X | X | X | X |
| 260▲ | 28-13246-1 | . . Shaft | 1 | X | X | X | X | X | X | X |
| 270 | 1728-B | . . Fitting, Grease, Drive (3/16") | 1 | X | X | X | X | X | X | X |
| 280 | 28-13296-1 | . . End Cap | 2 | X | X | X | X | X | X | X |
| 290 | 28-13282-3 | . . Shim – Bearing (0.010") | A/R | X | X | X | X | X | X | X |
| 290 | 28-13282-4 | . . Shim – Bearing (0.005") | A/R | X | X | X | X | X | X | X |
| 290 | 28-13282-5 | . . Shim – Bearing (0.002") | A/R | X | X | X | X | X | X | X |
| 300 | ECD036-11 | . . Bearing (.4724" Radius With Shield) | 2 | X | X | X | X | X | X | X |
| 300 | 201NP | . . Bearing (Superseded by ECD036-11) | 2 | X | X | X | X | X | X | X |
| 310 | 28-13278-1 | . . Spacer | 2 | X | X | X | X | X | X | X |
| 320 | 3/8 Harper | . . Washer | 4 | X | X | X | X | X | X | X |
| 330 | MS21083N6 | . . Nut | 2 | X | X | X | X | X | X | X |
| 330 | AN364-624A | . . Nut (Superseded By MS21083N6) | 2 | X | X | X | X | X | X | X |
| 340 | 28-13318-7 | . Actuator Arm Assembly | 2 | X | X | X | X | X | X | X |
| 340 | 28-13318-1 | . Actuator (Obsolete) | 2 | X | X | X | X | | | |
| 350 | 28-16311-1 | . . Bushing | 1 | X | X | X | X | X | X | X |
| 360 | AN4-11 | . Bolt | 2 | X | X | X | X | X | X | X |
| 370 | 1/4 Harper | . Washer | 2 | X | X | X | X | X | X | X |
| 380 | 28-132008-11 | . Spacer | 2 | X | X | X | X | X | X | X |
| 390 | NAS1149F0463P | . Washer (0.063") | 5 | X | X | X | X | X | X | X |
| 390 | AN960-416 | . Washer (Superseded by NAS1149F0463P) | 5 | X | X | X | X | X | X | X |

ENSTROM F-28/280 SERIES ILLUSTRATED PARTS CATALOG

FIGURE 5-3. IDLER PULLEY AND SUPPORT ASSEMBLY

| ITEM NUMBER | PART NUMBER | DESCRIPTION | QTY PER ASSY | MODELS AFFECTED | | | | | | |
|-------------|----------------|--|--------------|-----------------|-----|-------|------|-------|------|-------|
| | | | | F-28A | 280 | F-28C | 280C | F-28F | 280F | 280FX |
| 400 | MS17825-4 | . Nut (0.281") | 3 | X | X | X | X | X | X | X |
| 400 | F12NE-4753-048 | . Nut (Superseded By MS17825-4) | 3 | X | X | X | X | X | X | X |
| 410 | MS24665-151 | . Pin | 3 | X | X | X | X | X | X | X |
| 410 | AN381-2-8 | . Pin (Superseded by MS24665-151) | 3 | X | X | X | X | X | X | X |
| 420 | 28-13299-3 | . Yoke End | 1 | X | X | X | X | X | X | X |
| 420 | 28-13299-1 | . Yoke End (Superseded by 28-13299-3) | 1 | X | X | X | X | X | X | X |
| 430 | MS20074-03-04 | . Bolt | 2 | X | X | X | X | X | X | X |
| 430 | AN73A3 | . Bolt (Used With 28-13318-1) | 2 | X | X | X | X | | | |
| 440 | NAS1149F0332P | . Washer | 10 | X | X | X | X | X | X | X |
| 440 | AN960-10L | . Washer (Superseded by NAS1149F0332P) | 10 | X | X | X | X | X | X | X |
| 450 | AN3H6A | . Bolt | 4 | X | X | X | X | X | X | X |
| 450 | AN3H-5A | . Bolt (Used With 28-13318-1) | 4 | X | X | X | X | | | |
| 460 | MS21083N3 | . Nut | 4 | X | X | X | X | X | X | X |
| 460 | AN364-1032A | . Nut (Superseded by MS21083N3) | 4 | X | X | X | X | X | X | X |
| 470 | NAS1149C1290R | . Washer | 1 | X | X | X | X | X | X | X |
| 470 | AN960C1216 | . Washer (Superseded by NAS1149C1290R) | 1 | X | X | X | X | X | X | X |
| 480 | AN316-12R | . Nut | 1 | X | X | X | X | X | X | X |
| - | 28-132005-3 | . Shaft Assembly (With Type "A" Lock) | 1 | X | X | X | X | X | X | X |
| - | 28-132005-1 | . Shaft Assembly (Superseded by 28-132005-3) | 1 | X | X | X | X | | | |
| 490 | 28-132005-11 | . . Shaft | 1 | X | X | X | X | X | X | X |
| 500 | NAS509-8 | . . Nut | 1 | X | X | X | X | X | X | X |
| 500 | AN316-8R | . . Nut (Used with 28-132005-1) | 1 | X | X | X | X | | | |
| 510 | NAS559-3 | . . Lock – Rod End | 1 | X | X | X | X | X | X | X |
| 510 | 28-14248-1 | . . Washer (Used With 28-132005-1) | 1 | X | X | X | X | | | |

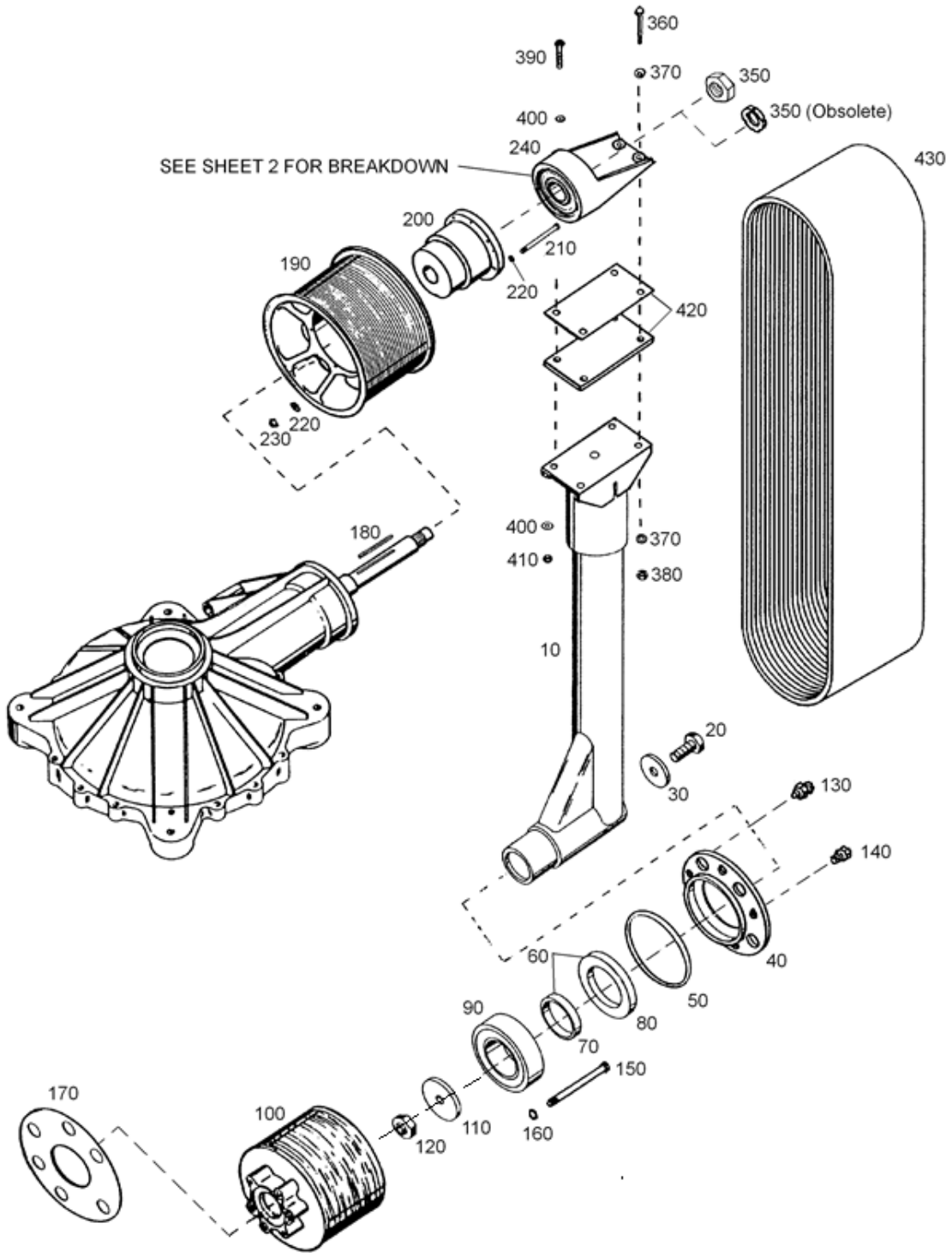
ENSTROM F-28/280 SERIES ILLUSTRATED PARTS CATALOG

FIGURE 5-3. IDLER PULLEY AND SUPPORT ASSEMBLY

| ITEM NUMBER | PART NUMBER | DESCRIPTION | QTY PER ASSY | MODELS AFFECTED | | | | | | |
|-------------|----------------------|--|--------------|-----------------|-----|-------|------|-------|------|-------|
| | | | | F-28A | 280 | F-28C | 280C | F-28F | 280F | 280FX |
| 520 | ECD091-1 | . . Rod End Bearing | 1 | X | X | X | X | X | X | X |
| 520 | 01-824-08E-011 | . . Bearing (Superseded By ECD091-1) | 1 | X | X | X | X | X | X | X |
| 520 | MS21242S8K | . . Bearing (Superseded by M81935/1-08K) | 1 | X | X | X | X | X | X | X |
| 520 | 09455-01-824-08E-011 | . . Bearing (Alternate) | 1 | X | X | X | X | X | X | X |
| 520 | MTK8 | . . Bearing (Alternate) | 1 | X | X | X | X | X | X | X |
| 520 | ASMK8T | . . Bearing (Alternate) | 1 | X | X | X | X | X | X | X |
| 520 | M81935/1-08K | . . Bearing (Alternate) | 1 | X | X | X | X | X | X | X |
| 530 | 28-132006-11 | . Spacer | 1 | X | X | X | X | X | X | X |
| 540 | 28-132009-11 | . Spacer | 2 | X | X | X | X | X | X | X |
| 550 | AN4-14 | . Bolt | 1 | X | X | X | X | X | X | X |

▲ Available as a remanufactured part. Add a "-R" to the end of the part number when ordering.

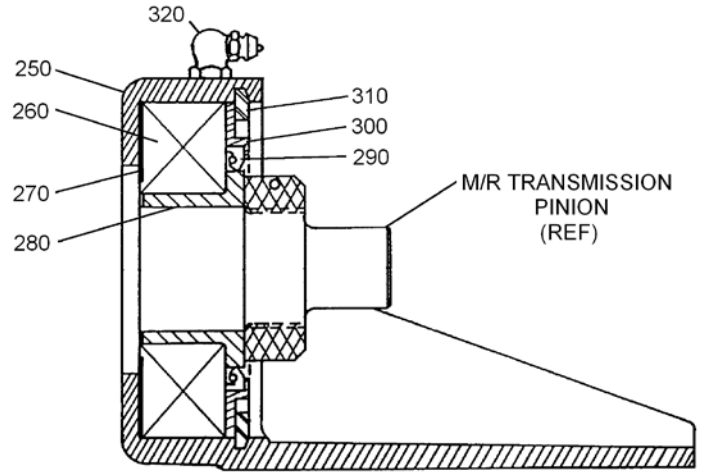
ENSTROM F-28/280 SERIES ILLUSTRATED PARTS CATALOG



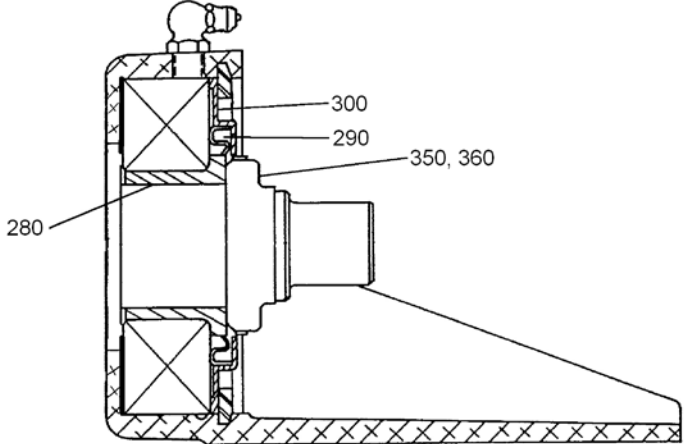
Sheet 1 of 2

FIGURE 5-4. JACK STRUT AND PULLEY ASSEMBLY

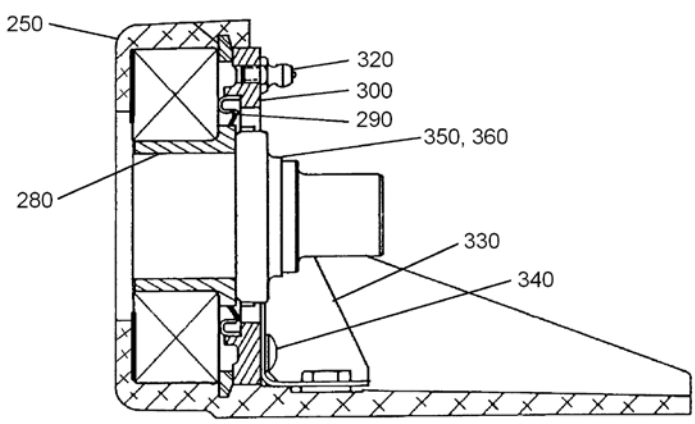
ENSTROM F-28/280 SERIES ILLUSTRATED PARTS CATALOG



(CURRENT ASSEMBLY)



(OBSOLETE ASSEMBLY)



(OBSOLETE ASSEMBLY)

BEARING HOUSING ASSEMBLIES

FIGURE 5-4. JACK STRUT AND PULLEY ASSEMBLY

ENSTROM F-28/280 SERIES ILLUSTRATED PARTS CATALOG

FIGURE 5-4. JACK STRUT AND PULLEY ASSEMBLY

| ITEM NUMBER | PART NUMBER | DESCRIPTION | QTY PER ASSY | MODELS AFFECTED | | | | | | |
|-------------|--------------|--|--------------|-----------------|-----|-------|------|-------|------|-------|
| | | | | F-28A | 280 | F-28C | 280C | F-28F | 280F | 280FX |
| 10 | 28-13227-5 | . Strut Assembly | 1 | X | X | X | X | X | X | X |
| 20 | AN8-10A | . Bolt | 1 | X | X | X | X | X | X | X |
| 30 | 28-13212-1 | . Washer | 1 | X | X | X | X | X | X | X |
| 40 | 28-13305-1 | . Retainer W.R. Bearing | 1 | X | X | X | X | X | X | X |
| 50 | AS3578-152 | . O-Ring (0.103") | 1 | X | X | X | X | X | X | X |
| 50 | MS9021-152 | . O-Ring (Superseded By AS3578-152) | 1 | X | X | X | X | X | X | X |
| 60 | 28-13319-1 | . Seal | 1 | X | X | X | X | X | X | X |
| 70 | 28-13211-1 | . . Spacer | 1 | X | X | X | X | X | X | X |
| 80 | 7361 | . . Seal, Oil, 2.000" (3.062") | 1 | X | X | X | X | X | X | X |
| 90 | ECD020-13 | . Bearing | 1 | X | X | X | X | X | X | X |
| 90 | ECD020-11 | . Bearing (Superseded by ECD020-13) | 1 | X | X | X | X | X | X | X |
| 100Δ | 28-13300-13 | . Pulley | 1 | | | | | X | X | X |
| 100● | 28-13273-13 | . Driver Pulley | 1 | X | X | | | X | X | X |
| 100 | 28-13273-1 | . Pulley (Superseded by 28-13273-13) | 1 | X | X | | | | | |
| 100Δ | 28-132010-13 | . Pulley | 1 | | | X | X | | | |
| 100 | 28-132001-13 | . Pulley | 1 | | | X | X | | | |
| 100 | 28-132001-11 | . Pulley (Superseded by 28-132001-13) | 1 | | | X | X | | | |
| 110 | 28-13210-13 | . Washer | 1 | X | X | X | X | X | X | X |
| 120 | AN364-820A | . Nut | 1 | X | X | X | X | X | X | X |
| 130 | 1650 | . Fitting: Grease, STR (1/8"NPT) | 1 | X | X | X | X | X | X | X |
| 140 | 338382 | . Fitting, Grease, 1/8" PTF | 1 | X | X | X | X | X | X | X |
| 140 | 306590 | . Fitting, Grease, 1/8" PTF (Superseded by 338382) | 1 | X | X | X | X | X | X | X |
| 150 | 28-13306-1 | . Bolt | 6 | X | X | X | X | X | X | X |
| 150 | AN178H-65A | . Bolt (Superseded by 28-13306-1) | 6 | X | X | X | X | X | X | X |
| 150 | AN178H-66A | . Bolt (Superseded by 28-13306-1) | A/R | X | X | X | X | X | X | X |
| 150 | AN178H-67A | . Bolt (Superseded by 28-13306-1) | A/R | X | X | X | X | X | X | X |
| 150 | AN178H-70A | . Bolt (Superseded by 28-13306-1) | A/R | X | X | X | X | X | X | X |

ENSTROM F-28/280 SERIES ILLUSTRATED PARTS CATALOG

FIGURE 5-4. JACK STRUT AND PULLEY ASSEMBLY

| ITEM NUMBER | PART NUMBER | DESCRIPTION | QTY PER ASSY | MODELS AFFECTED | | | | | | |
|-------------|---------------|--|--------------|-----------------|-----|-------|------|-------|------|-------|
| | | | | F-28A | 280 | F-28C | 280C | F-28F | 280F | 280FX |
| 160 | NAS1149F0863P | . Washer (0.063") | 6 | X | X | X | X | X | X | X |
| 160 | AN960-816 | . Washer (Superseded by NAS1149F0863P) | 6 | X | X | X | X | X | X | X |
| 170 | 28-13231-3 | . Shim (0.020") | A/R | X | X | X | X | X | X | X |
| 170 | 28-13231-4 | . Shim (0.032") | A/R | X | X | X | X | X | X | X |
| 170 | 28-13231-5 | . Shim (0.040") | A/R | X | X | X | X | X | X | X |
| 170 | 28-13231-6 | . Shim (0.050") | A/R | X | X | X | X | X | X | X |
| 170 | 28-13231-7 | . Shim (0.125") | A/R | X | X | X | X | X | X | X |
| 180● | 28-13142-1 | . Key | 1 | X | X | X | X | X | X | X |
| - | 28-13170-905 | . Clutch And Pulley Assembly | 1 | X | X | X | X | X | X | X |
| 190● | 28-13271-1 | . . Pulley | 1 | X | X | X | X | X | X | X |
| 200● | 28-13401-4 | . . Clutch | 1 | X | X | X | X | X | X | X |
| - | CL30914-2 | . . . Seal: Fill, Clutch Oil | 3 | X | X | X | X | X | X | X |
| 210 | AN5-35A | . . Bolt | 6 | X | X | X | X | X | X | X |
| 220 | NAS1149F0563P | . . Washer (0.063") | 12 | X | X | X | X | X | X | X |
| 220 | AN960-516 | . . Washer (Superseded by NAS1149F0563P) | 12 | X | X | X | X | X | X | X |
| 230 | MS21083N5 | . Nut | 6 | X | X | X | X | X | X | X |
| 230 | AN364-524A | . . Nut (Superseded By MS21083N5) | 6 | X | X | X | X | X | X | X |
| 240● | 28-13170-903 | . Bearing Housing Assembly | 1 | X | X | X | X | X | X | X |
| 250● | 28-13215-3 | . . Bearing Housing | 1 | X | X | X | X | X | X | X |
| 250 | 28-13215-1 | . . Bearing Housing (Obsolete) | 1 | X | X | X | X | | | |
| 260 | ECD014-11 | . . Bearing | 1 | X | X | X | X | X | X | X |
| 260 | ECD014-13 | . . Bearing (1.5748") (Used with 28-13215-1 Bearing Housing) | 1 | X | X | X | X | | | |
| 270● | 28-13180-11 | . . Shield | 1 | X | X | X | X | X | X | X |
| 280● | 28-13323-11 | . . Bearing Adapter | 1 | X | X | X | X | X | X | X |
| 280 | 28-13129-13 | . . Adapter-Bearing (Obsolete) | 1 | X | X | X | X | | | |
| 290 | 20526 | . . Seal: Oil, 2.063" (2.661") | 1 | X | X | X | X | X | X | X |

ENSTROM F-28/280 SERIES ILLUSTRATED PARTS CATALOG

FIGURE 5-4. JACK STRUT AND PULLEY ASSEMBLY

| ITEM NUMBER | PART NUMBER | DESCRIPTION | QTY PER ASSY | MODELS AFFECTED | | | | | | |
|-------------|----------------|--|--------------|-----------------|-----|-------|------|-------|------|-------|
| | | | | F-28A | 280 | F-28C | 280C | F-28F | 280F | 280FX |
| 290 | 340823 | . . Seal (Obsolete) | 1 | X | X | X | X | | | |
| 300● | 28-13322-11 | . . Retainer | 1 | X | X | X | X | X | X | X |
| 300 | 28-13181-11 | . . Seal Retainer (Obsolete) | 1 | X | X | X | X | | | |
| 300 | 28-13303-11 | . . Seal Retainer (Obsolete) | 1 | X | X | X | X | | | |
| 310 | N5002-354-S-PP | . . Ring | 1 | X | X | X | X | X | X | X |
| 320 | 1911-B | . . Fitting, Grease (1/4-28) | 1 | X | X | X | X | X | X | X |
| 320 | 1641-B | . . Fitting (1/4-28) | 1 | X | X | X | X | | | |
| 330 | 28-13182-11 | . . Angle | 1 | X | X | X | X | | | |
| 330 | 28-13182-1 | . . Angle (Obsolete) | 1 | X | X | X | X | | | |
| 340 | AN526-632R4 | . . Screw | 3 | X | X | X | X | | | |
| 350● | 28-13184-11 | . Nut | 1 | X | X | X | X | X | X | X |
| 350 | SLN-3045 | . Nut (Obsolete) | 1 | X | X | X | X | | | |
| - | SLW-3045 | . Locking Ring (Obsolete) | 1 | X | X | X | X | | | |
| 360 | AN6-10A | . Bolt | 2 | X | X | X | X | X | X | X |
| 370 | NAS1149F0632P | . Washer | 4 | X | X | X | X | X | X | X |
| 370 | AN960-616L | . Washer (Superseded by NAS1149F0632P) | 4 | X | X | X | X | X | X | X |
| 380 | MS21044N6 | . Nut | 2 | X | X | X | X | X | X | X |
| 380 | AN365-624A | . Nut (Superseded by MS21044N6) | 2 | X | X | X | X | X | X | X |
| 390 | AN4-7A | . Bolt | 2 | X | X | X | X | X | X | X |
| 400 | NAS1149F0463P | . Washer (0.063) | 4 | X | X | X | X | X | X | X |
| 400 | AN960-416 | . Washer (Superseded By NAS1149F0463P) | 4 | X | X | X | X | X | X | X |
| 410 | MS21044N4 | . Nut | 2 | X | X | X | X | X | X | X |
| 410 | AN365-428A | . Nut (Superseded by MS21044N4) | 2 | X | X | X | X | X | X | X |
| 420 | 28-13281-3 | . Shim (0.090") | A/R | X | X | X | X | X | X | X |
| 420 | 28-13281-4 | . Shim (0.060") | A/R | X | X | X | X | X | X | X |
| 420 | 28-13281-5 | . Shim (0.032") | A/R | X | X | X | X | X | X | X |
| 430* | 28-13321-17 | . Belt (Alternate to 28-13321-15) | 1 | X | X | | | X | X | X |

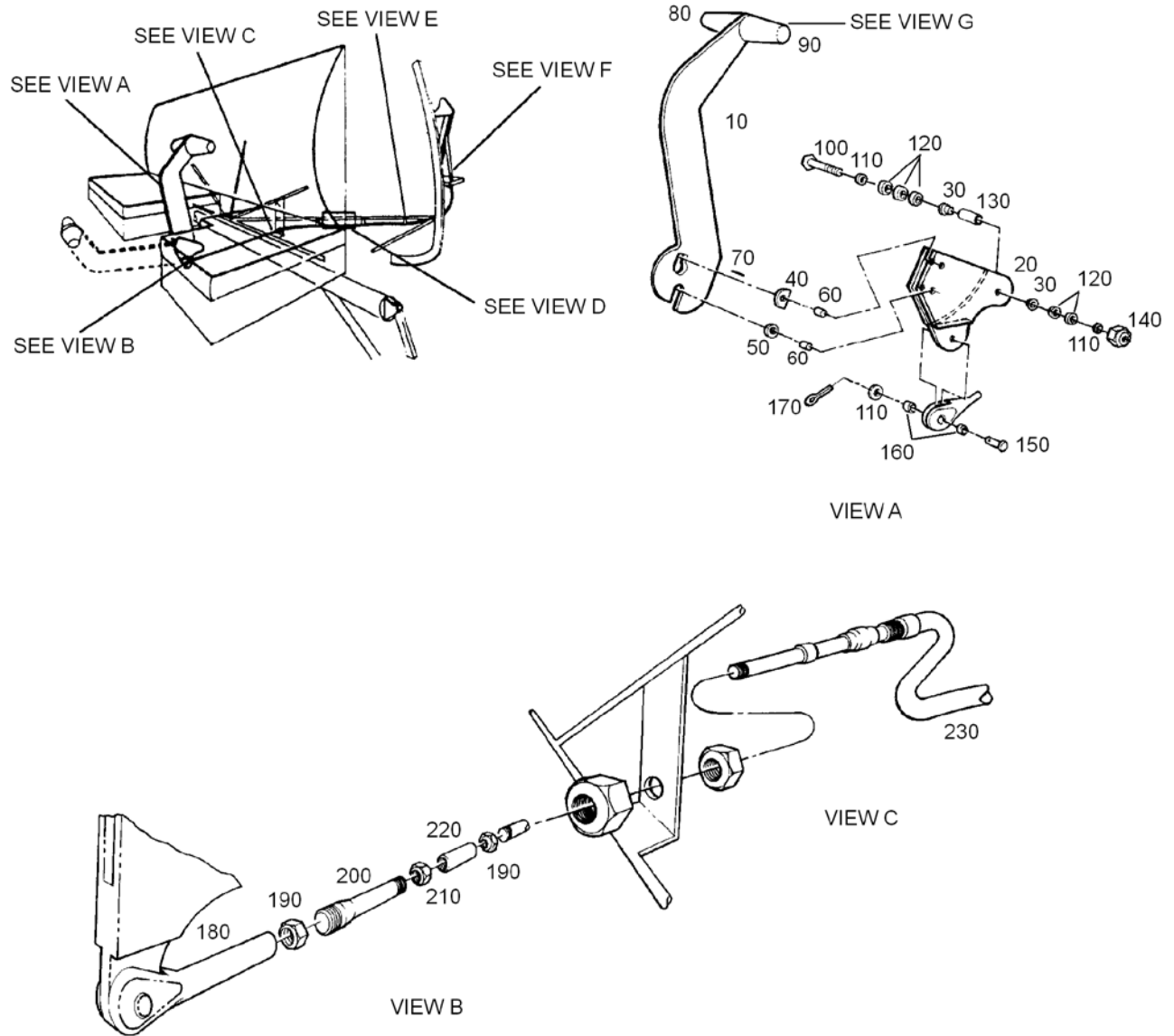
ENSTROM F-28/280 SERIES ILLUSTRATED PARTS CATALOG

FIGURE 5-4. JACK STRUT AND PULLEY ASSEMBLY

| ITEM NUMBER | PART NUMBER | DESCRIPTION | QTY PER ASSY | MODELS AFFECTED | | | | | | |
|-------------|-------------|------------------------------------|--------------|-----------------|-----|-------|------|-------|------|-------|
| | | | | F-28A | 280 | F-28C | 280C | F-28F | 280F | 280FX |
| 430* | 28-13321-15 | . Belt | 1 | X | X | | | X | X | X |
| 430 | 28-13321-13 | . Belt (Superseded by 28-13321-15) | 1 | X | X | | | X | X | X |
| 430 | 28-13321-11 | . Belt (Superseded by 28-13321-13) | 1 | X | X | | | X | X | X |
| 430 | 28-13302-13 | . Belt | 1 | | | X | X | | | |
| 430 | 28-13302-11 | . Belt (Superseded by 28-13321-13) | 1 | | | X | X | | | |
| 430 | 28-13302-1 | . Belt (Superseded by 28-13321-13) | 1 | | | X | X | | | |

- * Either belt may be used on the F28F and the 280FX. Effectivity F28F S/N 831 and subsequent. Effectivity 280FX S/N 2136 and subsequent. Retrofittable to F28F S/N 509 and 280FX S/N 2001.
- Available as a remanufactured part. Add a "-R" to the end of the part number when ordering.
- Δ For helicopters equipped with Wet/Dry Dispersal System.

ENSTROM F-28/280 SERIES ILLUSTRATED PARTS CATALOG



Sheet 1 of 2

FIGURE 5-5. MAIN DRIVE ENGAGEMENT CONTROL SYSTEM

ENSTROM F-28/280 SERIES ILLUSTRATED PARTS CATALOG

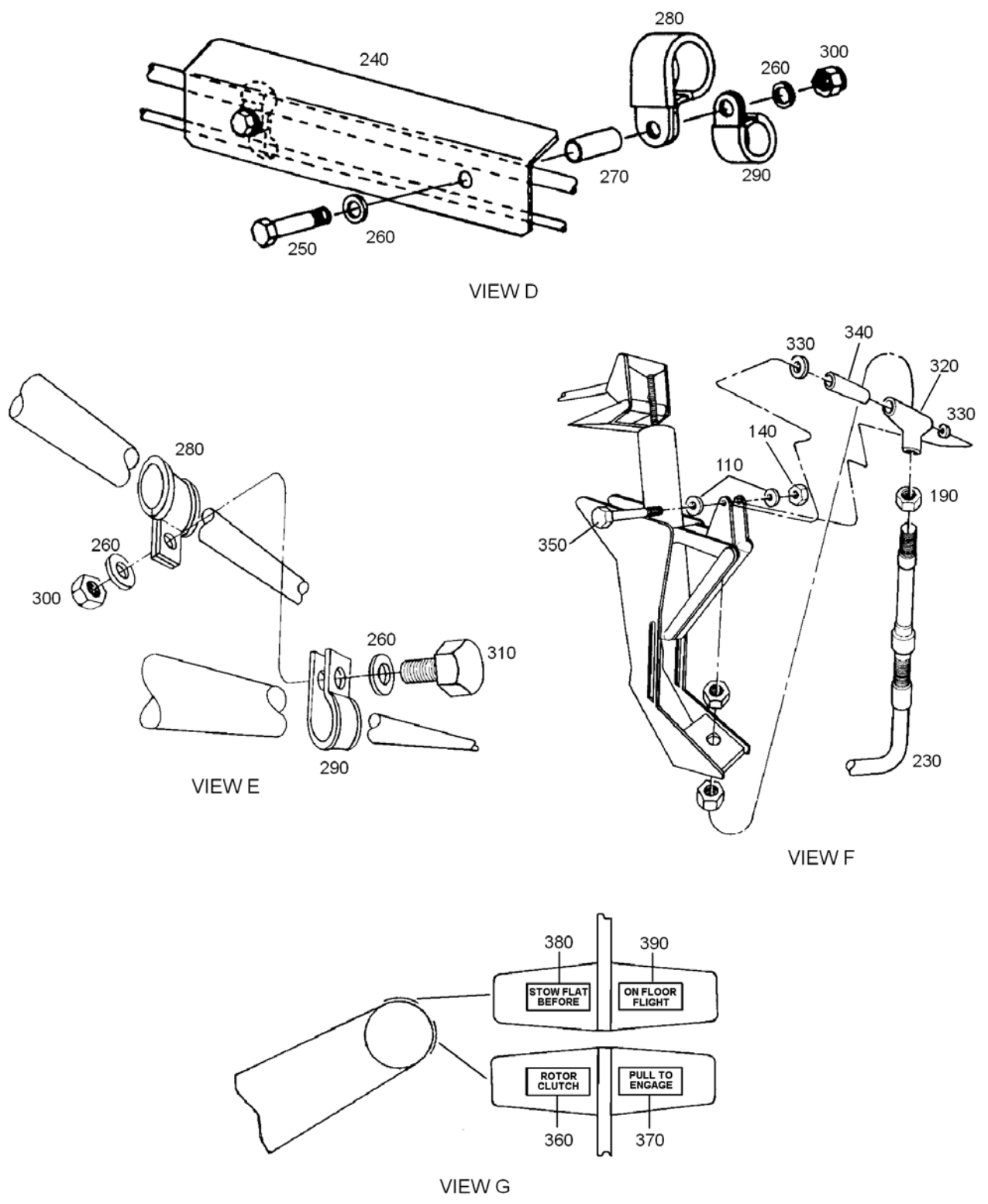


FIGURE 5-5. MAIN DRIVE ENGAGEMENT CONTROL SYSTEM

ENSTROM F-28/280 SERIES ILLUSTRATED PARTS CATALOG

FIGURE 5-5. MAIN DRIVE ENGAGEMENT CONTROL SYSTEM

| ITEM NUMBER | PART NUMBER | DESCRIPTION | QTY PER ASSY | MODELS AFFECTED | | | | | | |
|-------------|-----------------|---|--------------|-----------------|-----|-------|------|-------|------|-------|
| | | | | F-28A | 280 | F-28C | 280C | F-28F | 280F | 280FX |
| - | 28-16523-1 | . Lever Assembly | 1 | X | X | X | X | X | X | X |
| 10 ◀ | 28-16516-13 | . . Lever Arm | 1 | X | X | X | X | X | X | X |
| 10 | 28-16516-1 | . . Lever Arm (Superseded by 28-16516-13) | 1 | X | X | X | X | X | X | X |
| 20 | 28-16515-1 | . . Bellcrank Assembly | 1 | X | X | X | X | X | X | X |
| 30 | 28-16515-3 | . . . Bearing | 2 | X | X | X | X | X | X | X |
| 40 | 28-16519-1 | . . Guide | 1 | X | X | X | X | X | X | X |
| 50 | 28-16520-1 | . . Spacer | 1 | X | X | X | X | X | X | X |
| 60 | NAS561C8-10 | . . Pin: Spring, 0.250" X 0.625" SS | 2 | X | X | X | X | X | X | X |
| 60 | 79-048-250-0625 | . . Roll Pin (Superseded by NAS561C8-10) | 2 | X | X | X | X | X | X | X |
| 70 | MS16562-213 | . . Pin | 1 | X | X | X | X | X | X | X |
| 70 | 59-022-094-0500 | . . Roll Pin (Superseded by MS16562-213) | 1 | X | X | X | X | X | X | X |
| 80 | 28-16521-11 | . Handle | 1 | X | X | X | X | X | X | X |
| 90 | 28-16522-1 | . Handle Assembly | 1 | X | X | X | X | X | X | X |
| 100 | AN4-12A | . Bolt | 1 | X | X | X | X | X | X | X |
| 110 | NAS1149F0432P | . Washer | 5 | X | X | X | X | X | X | X |
| 110 | AN960-416L | . Washer (Superseded by NAS1149F0432P) | 5 | X | X | X | X | X | X | X |
| 120 | 1/4 Harper | . Washer | 5 | X | X | X | X | X | X | X |
| 130 | 28-16504-1 | . Spacer | 1 | X | X | X | X | X | X | X |
| 140 | MS21083N4 | . Nut | 2 | X | X | X | X | X | X | X |
| 140 | AN364-428A | . Nut (Superseded by MS21083N4) | 2 | X | X | X | X | X | X | X |
| 150 | AN394-17 | . Pin | 1 | X | X | X | X | X | X | X |
| 160 | 28-16518-1 | . Spacer | 2 | X | X | X | X | X | X | X |
| 170 | MS24665-151 | . Pin | 1 | X | X | X | X | X | X | X |
| 170 | AN381-2-8 | . Pin (Superseded by MS24665-151) | 1 | X | X | X | X | X | X | X |
| 180 | AN665-46R | . Terminal | 1 | X | X | X | X | X | X | X |
| 190 | AN316-5R | . Nut | 3 | X | X | X | X | X | X | X |
| 200 | 28-16505-1 | . Tie Rod | 1 | X | X | X | X | X | X | X |

ENSTROM F-28/280 SERIES ILLUSTRATED PARTS CATALOG

FIGURE 5-5. MAIN DRIVE ENGAGEMENT CONTROL SYSTEM

| ITEM NUMBER | PART NUMBER | DESCRIPTION | QTY PER ASSY | MODELS AFFECTED | | | | | | |
|-------------|---------------|--|--------------|-----------------|-----|-------|------|-------|------|-------|
| | | | | F-28A | 280 | F-28C | 280C | F-28F | 280F | 280FX |
| 210 | AN316-5L | . Nut | 1 | X | X | X | X | X | X | X |
| 220 | 28-16506-1 | . Coupling | 1 | X | X | X | X | X | X | X |
| 230 | 4SN-188-C-73 | . Cable: Clutch, 73" (High-Temp) | 1 | X | X | X | X | X | X | X |
| 240 | 28-16542-11 | . Heat Shield | 1 | X | X | X | X | X | X | X |
| 250 | AN3-12A | . Bolt | 2 | X | X | X | X | X | X | X |
| 260 | NAS1149F0332P | . Washer | 8 | X | X | X | X | X | X | X |
| 260 | AN960-10L | . Washer (Superseded by NAS1149F0332P) | 8 | X | X | X | X | X | X | X |
| 270 | NAS43HT3-48 | . Spacer | 2 | X | X | X | X | X | X | X |
| 280 | MS21919WF16 | . Clamp | 4 | X | X | X | X | X | X | X |
| 290 | AN742F8 | . Clamp (SS) | 4 | X | X | X | X | X | X | X |
| 290 | RA4400-6-C | . Clamp (Superseded by AN742F8) | 4 | X | X | X | X | X | X | X |
| 300 | MS21083N3 | . Nut | 4 | X | X | X | X | X | X | X |
| 300 | AN364-1032A | . Nut (Superseded by MS21083N3) | 4 | X | X | X | X | X | X | X |
| 310 | AN3-5A | . Bolt | 2 | X | X | X | X | X | X | X |
| 320 | 28-13276-1 | . Rod End | 1 | X | X | X | X | X | X | X |
| 330 | NAS1149F0463P | . Washer (.063") | 2 | X | X | X | X | X | X | X |
| 330 | AN960-416 | . Washer (Superseded By NAS1149F0463P) | 2 | X | X | X | X | X | X | X |
| 340 | 28-13285-4 | . Spacer | 1 | X | X | X | X | X | X | X |
| 350 | AN4-13A | . Bolt | 1 | X | X | X | X | X | X | X |
| 360* | 28-16525-1 | . Placard (Rotor Clutch) | 1 | X | X | X | X | X | X | X |
| 370* | 28-16526-1 | . Placard (Pull to Engage) | 1 | X | X | X | X | X | X | X |
| 380** | 28-16537-11 | . Placard (Stow Flat Before) | 1 | X | X | X | X | X | X | X |
| 390** | 28-16537-13 | . Placard (On Floor Flight) | 1 | X | X | X | X | X | X | X |

* Order these two placards together.

ROTOR
CLUTCH

PULL TO
ENGAGE

** Order these two placards together.

STORE FLAT
BEFORE

ON FLOOR
FLIGHT.

◀ Effective F28F S/N 833 and subsequent, 280FX S/N 2172 and subsequent. Retrofittable all S/N F28/280/A/C/F.

ENSTROM F-28/280 SERIES ILLUSTRATED PARTS CATALOG

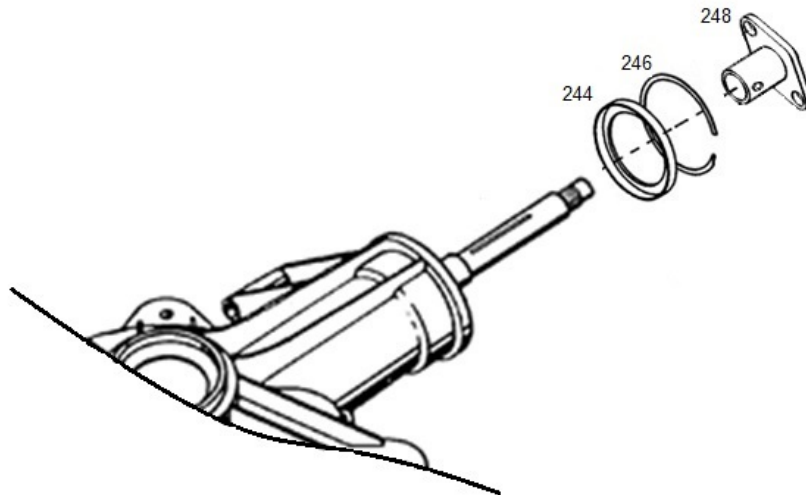
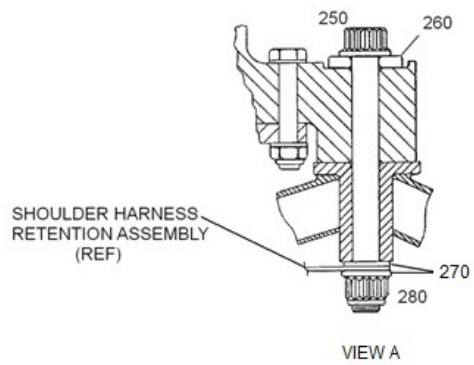
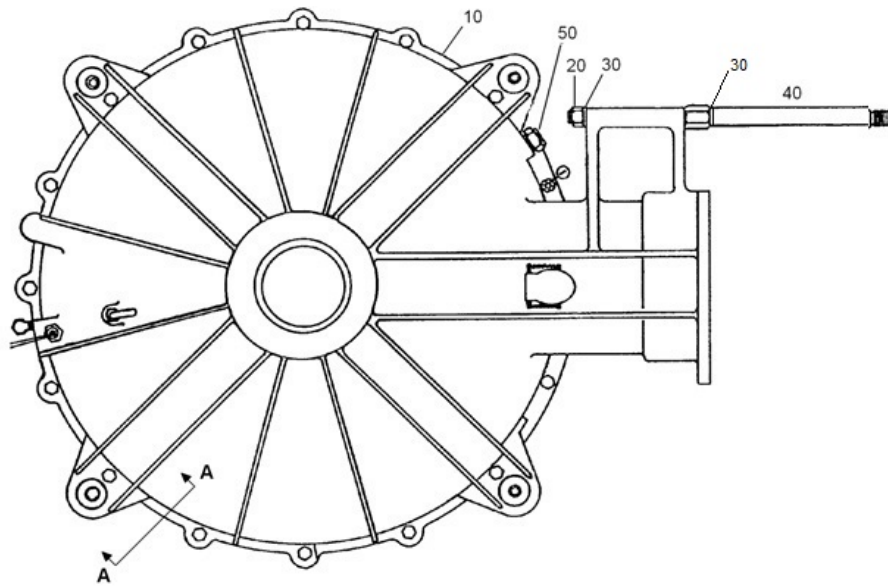


FIGURE 5-6. MAIN ROTOR GEARBOX INSTALLATION

UNCONTROLLED COPY WHEN DOWNLOADED OR PRINTED

ENSTROM F-28/280 SERIES ILLUSTRATED PARTS CATALOG

INTENTIONALLY LEFT BLANK

ENSTROM F-28/280 SERIES ILLUSTRATED PARTS CATALOG

FIGURE 5-6. MAIN ROTOR GEARBOX INSTALLATION

| ITEM NUMBER | PART NUMBER | DESCRIPTION | QTY PER ASSY | MODELS AFFECTED | | | | | | |
|-------------|--------------|--|--------------|-----------------|-----|-------|------|-------|------|-------|
| | | | | F-28A | 280 | F-28C | 280C | F-28F | 280F | 280FX |
| 10 | 28-13170-3 | . Main Rotor Gearbox (Light M/R Shaft) | 1 | X | X | | | | | |
| 10** | 28-13170-7 | . Main Rotor Gearbox (Heavy M/R Shaft) | 1 | | | X | X | | | |
| 10 | 28-13170-105 | . Main Rotor Gearbox (Heavy M/R Shaft with Low Rotor RPM Probe) | 1 | | | X | X | X | X | X |
| 10 | 28-13170-909 | . Main Rotor Gearbox | 1 | | | | | X | | X |
| 10 | 28-13170-900 | . Main Rotor Gearbox (Superseded by 28-13170-909) | 1 | | | | | X | | X |
| 10** | 28-13170-103 | . Main Rotor Gearbox Assembly (Superseded by 28-13170-900) | 1 | | | | | X | | X |
| 10**†† | 28-13170-9-R | . Main Rotor Gearbox Assembly (Magnetic Chip Detector and Low Rotor RPM Pick-Up) | 1 | | | | | X | | X |
| 10**†† | 28-13170-7-R | . Main Rotor Gearbox Assembly (Heavy M/R Shaft) | 1 | | | X | X | X | X | |
| 10**†† | 28-13170-3-R | . Main Rotor Gearbox Assembly (Standard M/R Shaft) | 1 | | | X | X | X | X | |
| 10†† | 28-13101-5-R | . Gearbox Assembly (Standard M/R Shaft) | 1 | X | X | X | X | | | |
| 10†† | 28-13101-1-R | . Gearbox Assembly | 1 | X | X | | | | | |
| 20 | AN364-1018A | . . Nut | 1 | X | X | X | X | X | X | X |
| 30 | 28-13238-1 | . . Spacer | 2 | X | X | X | X | X | X | X |
| 40■ | 28-13232-1 | . . Shaft | 1 | X | X | X | X | X | X | X |
| 50●● | 2D8934 | . . Plug, Sight, M.R.G.B. Oil Level | 1 | X | X | X | X | X | X | X |
| 50●▲ | M144E | . . Plug | 1 | X | X | X | X | X | X | X |
| 50 | S-50MP | . . Plug (Superseded by M144E) | 1 | X | X | X | X | X | X | X |
| 60 | 28-13137-11 | . . Slinger | 1 | X | X | X | X | X | X | X |
| 60 | 28-13137-1 | . . Slinger (Superseded by 28-13137-11) | 1 | X | X | X | X | X | X | X |
| 70■ | 28-13148-1 | . . Fitting | 1 | X | X | X | X | X | X | X |
| 80■ | 28-13149-1 | . . Vent Line Assembly | 1 | X | X | X | X | X | X | X |
| 90 | MS20822-6D | . . Elbow | 1 | X | X | X | X | X | X | X |
| 100■ | 28-13177-1 | . . Lubrication Tube | 1 | X | X | X | X | X | X | X |

ENSTROM F-28/280 SERIES ILLUSTRATED PARTS CATALOG

FIGURE 5-6. MAIN ROTOR GEARBOX INSTALLATION

| ITEM NUMBER | PART NUMBER | DESCRIPTION | QTY PER ASSY | MODELS AFFECTED | | | | | | |
|-------------|-------------|---|--------------|-----------------|-----|-------|------|-------|------|-------|
| | | | | F-28A | 280 | F-28C | 280C | F-28F | 280F | 280FX |
| 110 | AN816-6D | . . Union (AL) | 1 | X | X | X | X | X | X | X |
| 120 | MS35769-9 | . . Gasket (Used with CD7L) | 1 | X | X | X | X | X | X | X |
| 120 | AN900-8 | . . Gasket (Superseded by MS35769-9) | 1 | X | X | X | X | X | X | |
| 120 | AN900-10 | . . Gasket (Superseded by MS35769 - Used with 28-13170-9) | 1 | | | | | X | | X |
| 125 | MS35769-11 | . . Gasket (Used with 1B7536) | 1 | | | | | X | | X |
| 130 | 726621 | . . Magnetic Pickup (Used with 28-13170-101/103 and subsequent) | 1 | | | | | X | | X |
| - | MS28778-4 | . . . O-Ring (Used with 726621) | 1 | | | | | X | | X |
| - | MS28778-3 | . . . O-Ring (Superseded by MS28778-4) | 1 | | | | | X | | X |
| - | AN316-6R | . . . Nut (Used with 726621) | 1 | | | | | X | | X |
| - | 28-16524-3 | . . . Shim (0.020") | A/R | | | | | X | | X |
| - | 28-16524-4 | . . . Shim (0.015") | A/R | | | | | X | | X |
| - | 28-16524-5 | . . . Shim (0.005") | A/R | | | | | X | | X |
| - | 28-16524-6 | . . . Shim (0.003") | A/R | | | | | X | | X |
| - | 28-16524-7 | . . . Shim (0.002") | A/R | | | | | X | | X |
| - | 28-16524-8 | . . . Shim (0.001") | A/R | | | | | X | | X |
| 135* | 1B7536 | . . Chip Detector Assembly | 1 | | | | | X | | X |
| - | 21FA-540 | . . . Nut (Used with 1B7536) | 1 | | | | | X | | X |
| - | AN6227-6 | . . . Packing (Used with 1B7536) | 1 | | | | | X | | X |
| 138 | CD7L | . . Detector Chip | 1 | X | X | X | X | X | X | |
| 140 | MS35769-6 | . . Gasket | 1 | X | X | X | X | X | X | X |
| 140 | AN900-6 | . . Gasket (Superseded by MS35769-6) | 1 | X | X | X | X | X | X | X |
| 150 | 28-13120-1 | . . Adapter | 1 | X | X | X | X | X | X | X |
| 160 | AN4076-1 | . . Fitting | 1 | X | X | X | X | X | X | X |
| 170 | AA86146 | . . Temperature Probe | 1 | X | X | X | X | X | X | X |
| 170 | AN5546-1 | . . Temperature Probe (Alternate) | 1 | X | X | X | X | X | X | X |
| 170 | 102-00007 | . . Temperature Probe (Alternate) | 1 | X | X | X | X | X | X | X |

ENSTROM F-28/280 SERIES ILLUSTRATED PARTS CATALOG

FIGURE 5-6. MAIN ROTOR GEARBOX INSTALLATION

| ITEM NUMBER | PART NUMBER | DESCRIPTION | QTY PER ASSY | MODELS AFFECTED | | | | | | |
|-------------|---------------|--|--------------|-----------------|-----|-------|------|-------|------|-------|
| | | | | F-28A | 280 | F-28C | 280C | F-28F | 280F | 280FX |
| 180■ | 28-13134-5 | . . Filler Cap Assembly | 1 | X | X | X | X | X | X | X |
| 190 | F965 | . . Strainer, Oil, M.R.G.B. | 1 | X | X | X | X | X | X | X |
| 200 | 2-214 | . . O-Ring, N304-75, 0.984" (0.139") | 1 | X | X | X | X | X | X | X |
| 200 | 28775-214 | . . O-Ring (Alternate) | 1 | X | X | X | X | X | X | X |
| 210† | 28-13107-15 | . . Gasket | 1 | X | X | X | X | X | X | X |
| 210 | 28-13107-13 | . . Gasket (Superseded By 28-13107-15) | 1 | X | X | X | X | X | X | X |
| 220 | AN4-4A | . . Bolt | 2 | X | X | X | X | X | X | X |
| 230 | MS35338-44 | . . Washer (0.062") | 2 | X | X | X | X | X | X | X |
| 230 | AN935-416 | . . Washer (Superseded by MS35338-44) | 2 | X | X | X | X | X | X | X |
| 240 | NAS1149F0463P | . . Washer (.063) | 2 | X | X | X | X | X | X | X |
| 240 | AN960-416 | . . Washer (Superseded by NAS1149F0463P) | 2 | X | X | X | X | X | X | X |
| - | 13241-LDS | . . Seal (Mast, Upper) | 1 | X | X | X | X | X | X | X |
| - | 28-13117-4 | . . Shim (0.002") | A/R | X | X | X | X | X | X | X |
| - | 28-13117-5 | . . Shim (0.003") | A/R | X | X | X | X | X | X | X |
| - | 28-13117-6 | . . Shim (0.010") | A/R | X | X | X | X | X | X | X |
| - | 28-13117-7 | . . Shim (0.020") | A/R | X | X | X | X | X | X | X |
| - | 28-13117-8 | . . Shim (0.005") | A/R | X | X | X | X | X | X | X |
| - | 28-13117-9 | . . Shim (0.0075") | A/R | X | X | X | X | X | X | X |
| - | 8473 H5L16 | . . Seal (Mast, Lower) | 2 | X | X | X | X | X | X | X |
| - | 8473RUPH5-L16 | . . Seal (Mast, Lower) (Superseded by 8473 H5L16) | 2 | X | X | X | X | X | X | X |
| - | 1540 | . . Seal (Mast, Lower) (Superseded by 8473RUPH5-L16) | 2 | X | X | X | X | X | X | X |
| - | 28-13113-4 | . . Shim (0.002") | A/R | X | X | X | X | X | X | X |
| - | 28-13113-5 | . . Shim (0.003") | A/R | X | X | X | X | X | X | X |
| - | 28-13113-6 | . . Shim (0.010") | A/R | X | X | X | X | X | X | X |
| - | 28-13113-7 | . . Shim (0.020") | A/R | X | X | X | X | X | X | X |
| - | 28-13113-8 | . . Shim (0.005") | A/R | X | X | X | X | X | X | X |

ENSTROM F-28/280 SERIES ILLUSTRATED PARTS CATALOG

FIGURE 5-6. MAIN ROTOR GEARBOX INSTALLATION

| ITEM NUMBER | PART NUMBER | DESCRIPTION | QTY PER ASSY | MODELS AFFECTED | | | | | | |
|-------------|---------------|--|--------------|-----------------|-----|-------|------|-------|------|-------|
| | | | | F-28A | 280 | F-28C | 280C | F-28F | 280F | 280FX |
| - | 28-13113-9 | . . Shim (0.0075") | A/R | X | X | X | X | X | X | X |
| 244 | 1102 | . . Seal, Oil (Pinion) | 1 | X | X | X | X | X | X | X |
| 246 | VH-375 | . . Retaining Ring | 1 | X | X | X | X | X | X | X |
| 248◇ | 28-13614-1 | . . Coupling Hub | 1 | X | X | X | X | X | X | X |
| - | AN386-2-7A | . . Taper Pin | 1 | X | X | X | X | X | X | X |
| - | AN960-C10 | . . Washer | 1 | X | X | X | X | X | X | X |
| - | AN365-1032A | . . Nut | 1 | X | X | X | X | X | X | X |
| 250 | MS21250-06042 | . . Bolt | 4 | X | X | X | X | X | X | X |
| 250 | MS21250-06044 | . . Bolt (Alternate) | 4 | X | X | X | X | X | X | X |
| 260 | 28-13005-1 | . . Washer | 4 | X | X | X | X | X | X | X |
| 270 | NAS1149F0663P | . . Washer | A/R | X | X | X | X | X | X | X |
| 270 | AN960-616 | . . Washer (Superseded by NAS1149F0663P) | A/R | X | X | X | X | X | X | X |
| 280 | FN22M-624 | . . Nut | 4 | X | X | X | X | X | X | X |
| - | MS20995C32 | . Wire | A/R | X | X | X | X | X | X | X |
| 290 | AN4-17A | . Bolt | 8 | X | X | X | X | X | X | X |
| 300 | NAS1523-4E | . Stat-O-Seal | 8 | X | X | X | X | X | X | X |
| 310 | AN365-428 | . Stop Nut, Elastic | 8 | X | X | X | X | X | X | X |

* The outside half of the 1B7536 magnetic chip detector assembly is 1B7536-2.

** Gearbox assemblies 28-13170-1, -3, -7 are acceptable alternates for Models F-28A and 280. Gearbox assemblies 28-13170-9, -101,-103 are acceptable alternates for Models F-28A, F-28C, 280, 280C and 280F.

† Effectivity for all piston ships S/N 815 and S/N 2093 and subsequent.

● Effectivity for all piston ships S/N 816, S/N 2097 and subsequent.

†† "-R" Denotes Overhauled Main Rotor Gearbox.

■ Available as a remanufactured part. Add an "-R" to the end of the part number when ordering.

●● Effectivity F28F S/N 825 and subsequent. Effectivity 280FX S/N 2135 and subsequent. Retrofittable to F28F S/N 509 and 280FX S/N 2001.

▲ Effectivity F28F S/N 818 and subsequent. Effectivity 280FX S/N 2125 and subsequent. Retrofittable to F28F S/N 509 and 280FX S/N 2001.

◇ Refer to Figure 12-1 for installation illustration.

ENSTROM F-28/280 SERIES ILLUSTRATED PARTS CATALOG

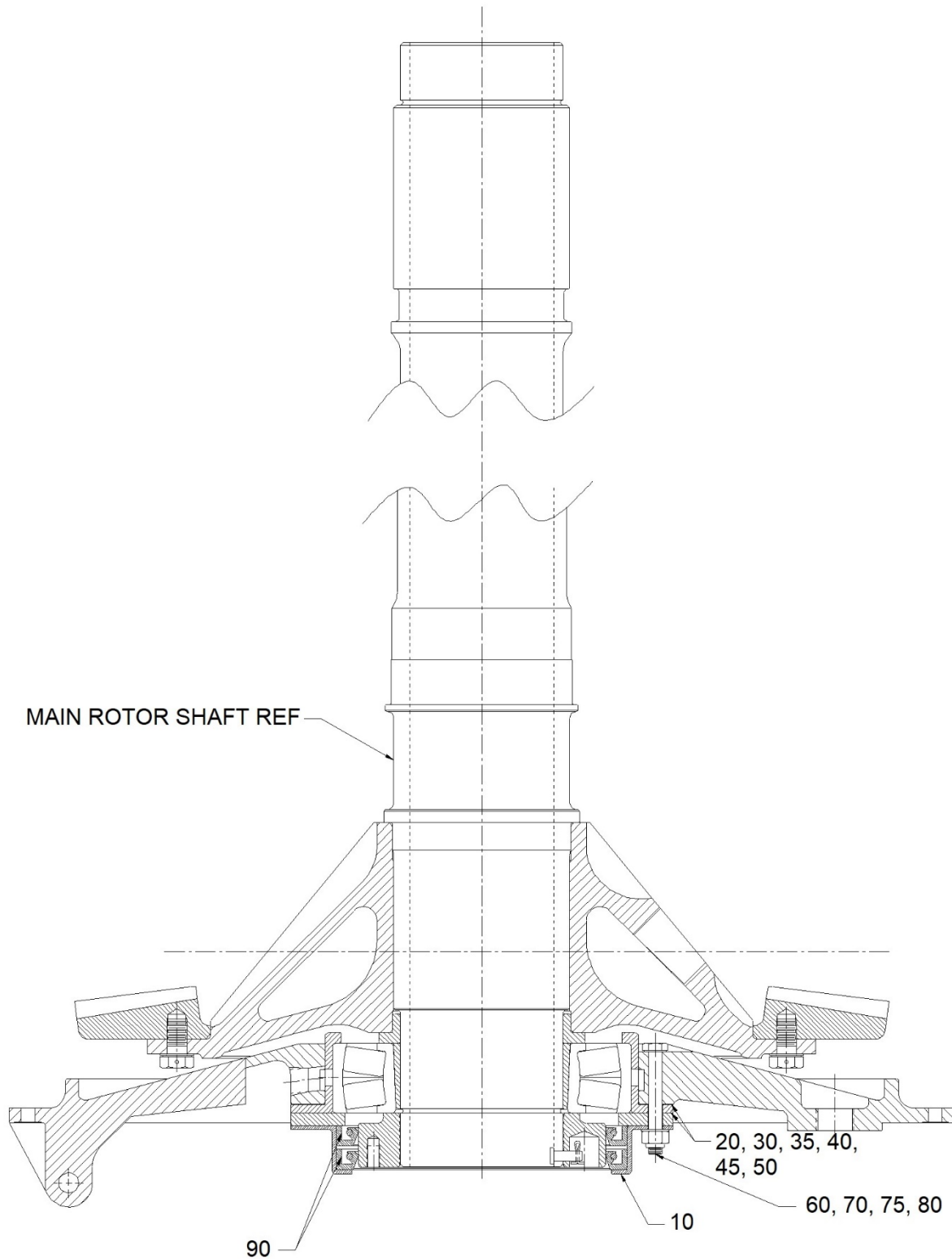


FIGURE 5-7. MAIN ROTOR TRANSMISSION SEAL RETAINER ASSEMBLY

ENSTROM F-28/280 SERIES ILLUSTRATED PARTS CATALOG

FIGURE 5-7. MAIN ROTOR TRANSMISSION SEAL RETAINER ASSEMBLY

| ITEM NUMBER | PART NUMBER | DESCRIPTION | QTY PER ASSY | MODELS AFFECTED | | | | | | |
|-------------|---------------|---------------------------------|--------------|-----------------|-----|-------|------|-------|------|-------|
| | | | | F-28A | 280 | F-28C | 280C | F-28F | 280F | 280FX |
| 10 | 28-13122-1 | . Seal Retainer | 1 | X | X | X | X | X | X | X |
| † | 28-13122-991 | . Seal Retainer with Seals | 1 | X | X | X | X | X | X | X |
| 20 | 28-13117-4 | . Shim, MRGB 0.002" (Red) | A/R | X | X | X | X | X | X | X |
| 30 | 28-13117-5 | . Shim, MRGB 0.003" (Green) | A/R | X | X | X | X | X | X | X |
| 35 | 28-13117-8 | . Shim, MRGB 0.005" (Blue) | A/R | X | X | X | X | X | X | X |
| 40 | 28-13117-9 | . Shim, MRGB 0.0075" (Matte) | A/R | X | X | X | X | X | X | X |
| 45 | 28-13117-6 | . Shim, MRGB 0.010" (Brown) | A/R | X | X | X | X | X | X | X |
| 50 | 28-13117-7 | . Shim, MRGB 0.020" (Yellow) | A/R | X | X | X | X | X | X | X |
| 60 | AN4-17A | . Bolt | 1 | X | X | X | X | X | X | X |
| 70 | NAS1523-4-E | . Stat-O-Seal | 8 | X | X | X | X | X | X | X |
| 75♦ | NAS1149F0432P | . Washer | 8 | X | X | X | X | X | X | X |
| 80 | AN365-428 | . Nut | 8 | X | X | X | X | X | X | X |
| 90 | 8473H5L16 | . Seal (Mast, Lower) | 2 | X | X | X | X | X | X | X |
| 90 | 1540 | . Seal (Mast, Lower, Alternate) | 2 | X | X | X | X | X | X | X |

♦ Use between nut and stat-o-seal washer.

† Item includes quantity 2 of Item 90 bonded into the retainer.

ENSTROM F-28/280 SERIES ILLUSTRATED PARTS CATALOG

|

INTENTIONALLY LEFT BLANK

ENSTROM F-28/280 SERIES ILLUSTRATED PARTS CATALOG

SECTION 6

ELECTRICAL SYSTEM

TABLE OF CONTENTS

| | | |
|----------------------|--|------|
| | Cover Page | 6-1 |
| | Table of Contents | 6-1 |
| 6-1 | Electrical Components (F-28A, 280) | 6-2 |
| 6-2 | Electrical Panels | 6-5 |
| 6-3 | 12 Volt Battery Over-Current Breaker Installation | 6-9 |
| 6-4 | Landing Light and Anti-Collision Light (F-28A) | 6-11 |
| 6-5 | Night Lighting Kit (280 Models) | 6-18 |
| 6-6 | Strobe And Position Light Installation (C, F Models) | 6-22 |
| 6-7 | Forward Landing Light Installation (F-28C, F-28F) | 6-28 |
| 6-8 | Forward Landing Light Installation (280 Series) | 6-31 |
| 6-9 | Battery Installation (F-28A, 280) | 6-33 |
| 6-10 | 12 Volt Battery Installation (C, F, FX Models) | 6-35 |
| 6-11 | Annunciator Systems Installation | 6-37 |
| 6-12 | Fuse Panel (F-28F, 280FX) | 6-41 |
| 6-13 | 24 Volt Battery Installation (All Models) | 6-43 |
| 6-14 | Trim Relay Installation 24 Volt (F-28F, 280FX) | 6-48 |

ENSTROM F-28/280 SERIES ILLUSTRATED PARTS CATALOG

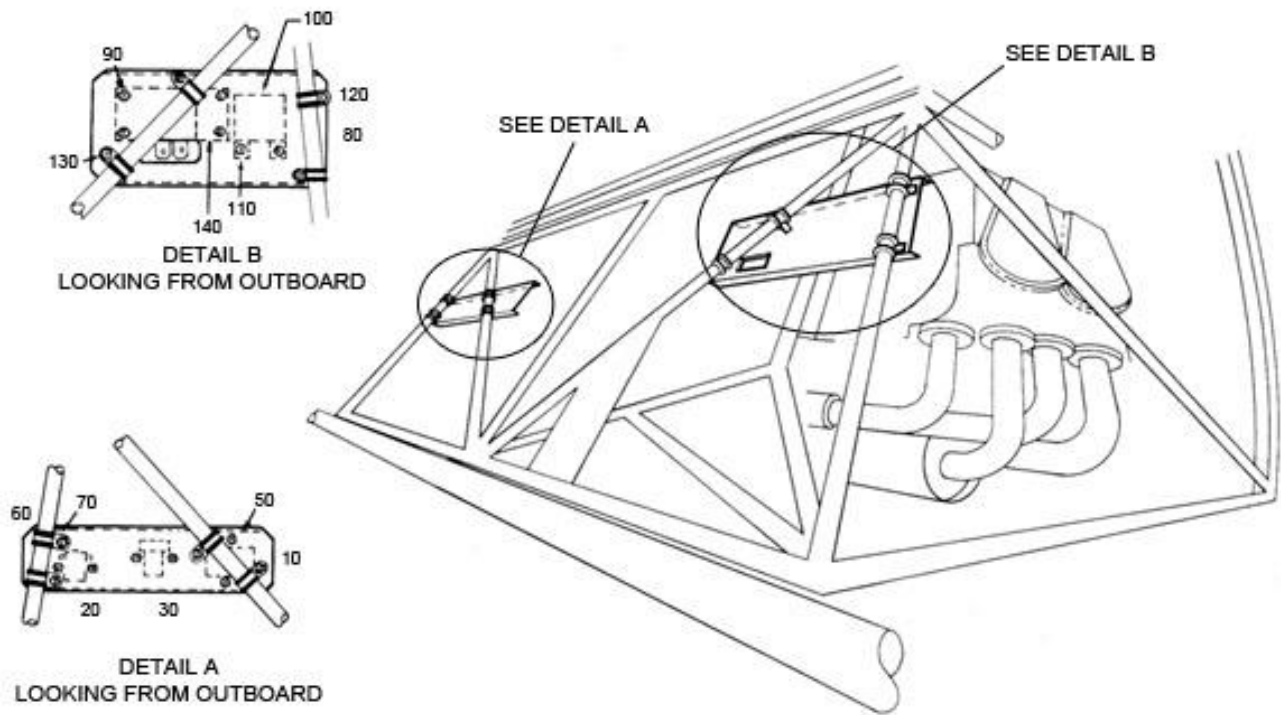


FIGURE 6-1. ELECTRICAL COMPONENTS (F-28A, 280)

ENSTROM F-28/280 SERIES ILLUSTRATED PARTS CATALOG

FIGURE 6-1. ELECTRICAL COMPONENTS (F-28A, 280)

| ITEM NUMBER | PART NUMBER | DESCRIPTION | QTY PER ASSY | MODELS AFFECTED | | | | | | |
|-------------|----------------|--|--------------|-----------------|-----|-------|------|-------|------|-------|
| | | | | F-28A | 280 | F-28C | 280C | F-28F | 280F | 280FX |
| 10* | 28-19004 | . Bracket (Inactive) | 1 | X | X | | | | | |
| 20 | SAW4204-15-123 | . Starter Solenoid 12V | 1 | X | X | | | | | |
| 30 | ECD075-11 | . Master (Relay 12V) | 1 | X | X | | | | | |
| 30 | 6041H34 | . Master Relay (Superseded by ECD075-11) | 1 | X | X | | | | | |
| 50 | MS51861-35 | . Screw | 6 | X | X | | | | | |
| 50 | AN515-8-8 | . Screw (Superseded by MS51861-35) | 6 | X | X | | | | | |
| - | NAS1149FN816P | . Washer | 12 | X | X | | | | | |
| - | AN960-8L | . Washer (Superseded by NAS1149FN816P) | 12 | X | X | | | | | |
| - | MS35338-42 | . Washer | 6 | X | X | | | | | |
| - | AN935-8 | . Washer (Superseded by MS35338-42) | 6 | X | X | | | | | |
| - | MS35649-282 | . Nut | 6 | X | X | | | | | |
| - | AN340-8 | . Nut (Superseded by MS35649-282) | 6 | X | X | | | | | |
| 60 | MS21919WF12 | . Clamp | 4 | X | X | | | | | |
| 70 | MS35206-246 | . . Screw | 4 | X | X | | | | | |
| 70 | AN515-8-10 | . . Screw (Superseded by MS35206-246) | 4 | X | X | | | | | |
| - | NAS1149FN832P | . . Washer (0.032) | 8 | X | X | | | | | |
| - | AN960-8 | . . Washer (Superseded by NAS1149FN832P) | 8 | X | X | | | | | |
| - | MS35338-42 | . . Washer | 4 | X | X | | | | | |
| - | AN935-8 | . . Washer (Superseded by MS35338-42) | 4 | X | X | | | | | |
| - | MS35649-282 | . Nut | 4 | X | X | | | | | |
| - | AN340-8 | . Nut (Superseded by MS35649-282) | 4 | X | X | | | | | |
| 80* | 28-19003 | . Bracket (Inactive) | 1 | X | X | | | | | |
| 90 | ECD069-11 | . Alternator Control | 1 | X | X | | | | | |

ENSTROM F-28/280 SERIES ILLUSTRATED PARTS CATALOG

FIGURE 6-1. ELECTRICAL COMPONENTS (F-28A, 280)

| ITEM NUMBER | PART NUMBER | DESCRIPTION | QTY PER ASSY | MODELS AFFECTED | | | | | | |
|-------------|---------------|--|--------------|-----------------|-----|-------|------|-------|------|-------|
| | | | | F-28A | 280 | F-28C | 280C | F-28F | 280F | 280FX |
| 90 | VSF-7203 | . Voltage Regulator (Superseded by ECD069-11) | 1 | X | X | | | | | |
| 100 | 10-400608-123 | . Starter Vibrator, 12 Volt | 1 | X | X | | | | | |
| 100 | 10-176485-121 | . Starter Vibrator (Superseded by 10-400608-123) | 1 | X | X | | | | | |
| 110 | MS51861-35 | . Screw | 6 | X | X | | | | | |
| 110 | AN515-8-8 | . Screw (Superseded by MS51861-35) | 6 | X | X | | | | | |
| - | NAS1149FN816P | . Washer | 6 | X | X | | | | | |
| - | AN960-8L | . Washer (Superseded by NAS1149FN816P) | 6 | X | X | | | | | |
| - | MS35338-42 | . . Washer | 6 | X | X | | | | | |
| - | AN935-8 | . . Washer (Superseded by MS35338-42) | 6 | X | X | | | | | |
| - | MS35649-282 | . Nut | 4 | X | X | | | | | |
| - | AN340-8 | . Nut (Superseded by MS35649-282) | 4 | X | X | | | | | |
| 120 | MS21919WF12 | . Clamp | | | | | | | | |
| 130 | MS35206-246 | . . Screw | 4 | X | X | | | | | |
| 130 | AN515-8-10 | . . Screw (Superseded by MS35206-246) | 4 | X | X | | | | | |
| - | NAS1149FN816P | . . Washer | 8 | X | X | | | | | |
| - | AN960-8L | . . Washer (Superseded by NAS1149FN816P) | 8 | X | X | | | | | |
| - | MS35338-42 | . . Washer | 4 | X | X | | | | | |
| - | AN935-8 | . . Washer (Superseded by MS35338-42) | 4 | X | X | | | | | |
| - | MS35649-282 | . Nut | 4 | X | X | | | | | |
| - | AN340-8 | . Nut (Superseded by MS35649-282) | 4 | X | X | | | | | |
| 140** | X-16799 | . . Relay, Over-Voltage | 1 | X | X | | | | | |

* May not have been used on early "A" models.

** Used on some early "C" models.

ENSTROM F-28/280 SERIES ILLUSTRATED PARTS CATALOG

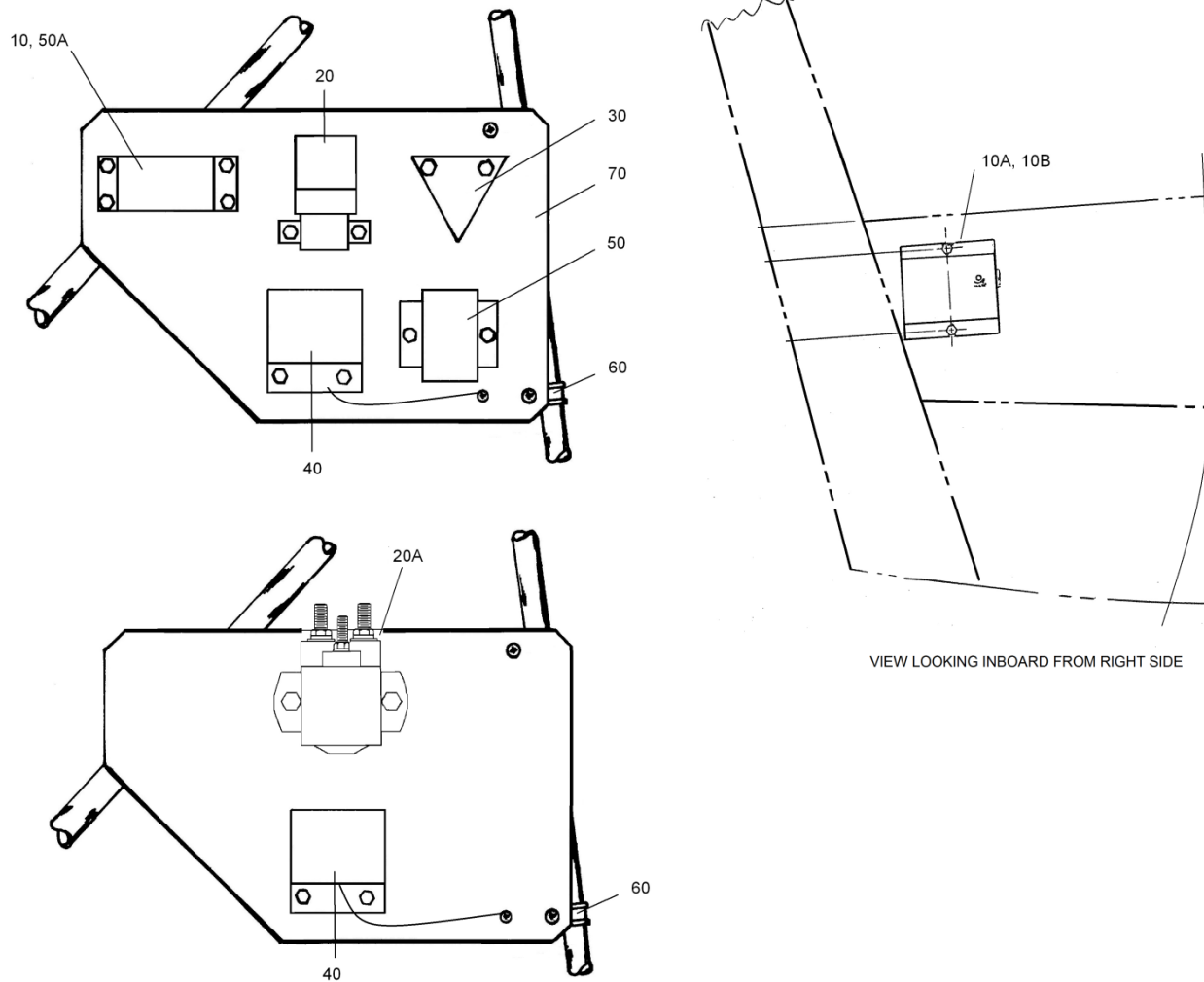


FIGURE 6-2. ELECTRICAL PANELS

ENSTROM F-28/280 SERIES ILLUSTRATED PARTS CATALOG

FIGURE 6-2. ELECTRICAL PANELS

| ITEM NUMBER | PART NUMBER | DESCRIPTION | QTY PER ASSY | MODELS AFFECTED | | | | | | |
|-------------|---------------|--|--------------|-----------------|-----|-------|------|-------|------|-------|
| | | | | F-28A | 280 | F-28C | 280C | F-28F | 280F | 280FX |
| 10*‡ | ECD069-11 | . Alternator Control | 1 | | | X | X | | | |
| 10 | VSF-7403 | . Voltage Regulator (Superseded by ECD069-11) | 1 | | | X | X | | | |
| - | MS35206-247 | . Screw | 2 | | | X | X | | | |
| - | NAS1149FN816P | . Washer | 4 | | | X | X | | | |
| - | MS21044N08 | . Nut | 4 | | | X | X | | | |
| - | MS35206-246 | . Screw | 2 | | | X | X | | | |
| 10A*‡‡ | ECD069-11 | . Alternator Control (Superseded by ECD069-11) | 1 | | | X | X | X | X | |
| - | MS35207-262 | . Screw | 2 | | | X | X | X | X | |
| - | NAS1149F0332P | . Washer | 4 | | | X | X | X | X | |
| - | MS35338-43 | . Washer | 2 | | | X | X | X | X | |
| - | AN315-4R | . Nut | 2 | | | X | X | X | X | |
| 10BΔ | R1224S-28 | . Voltage Regulator | 1 | | | X | X | X | X | X |
| - | MS35207-263 | . Screw | 2 | | | X | X | X | X | X |
| - | NAS1149F0316P | . Washer | 4 | | | X | X | X | X | X |
| - | MS21083N3 | . Nut | 2 | | | X | X | X | X | X |
| - | ABM1M-A-C | . Mount | A/R | | | X | X | X | X | X |
| 10B*‡ | ECD069-13 | . Alternator Control (Alternate) | 1 | | | X | X | X | X | X |
| - | MS35207-263 | . Screw | 2 | | | X | X | X | X | X |
| - | NAS1149F0332P | . Washer | 4 | | | X | X | X | X | X |
| - | MS21083N3 | . Lock Washer | 2 | | | X | X | X | X | X |
| - | AN315-4R | . Nut | 2 | | | X | X | X | X | X |
| 20 | ECD075-11 | . Master Relay (12V) | 1 | | | X | X | X | X | |
| 20 | 6041-ED22 | . Master Relay (Superseded by ECD075-11) | 1 | | | X | X | X | X | |
| - | AN4-3A | . Bolt | 2 | | | X | X | X | X | |
| - | NAS1149F0432P | . Washer | 4 | | | X | X | X | X | |
| - | MS35338-44 | . Nut | 2 | | | X | X | X | X | |
| 20A | ECD075-13 | . Master Relay (24V) | 1 | | | X | X | X | X | X |
| 20A | ECD075-11 | . Master Relay (12V) | 1 | | | X | X | X | X | X |

ENSTROM F-28/280 SERIES ILLUSTRATED PARTS CATALOG

FIGURE 6-2. ELECTRICAL PANELS

| ITEM NUMBER | PART NUMBER | DESCRIPTION | QTY PER ASSY | MODELS AFFECTED | | | | | | |
|-------------|---------------|--|--------------|-----------------|-----|-------|------|-------|------|-------|
| | | | | F-28A | 280 | F-28C | 280C | F-28F | 280F | 280FX |
| - | AN4-3A | . Bolt | 2 | | | X | X | X | X | X |
| - | NAS1149F0432P | . Washer | 4 | | | X | X | X | X | X |
| - | MS35338-44 | . Lock Washer (0.062") | 2 | | | X | X | X | X | X |
| 20A | ECD075-13 | . Master Relay (24V) | 1 | | | X | X | X | X | X |
| 20A | ECD075-11 | . Master Relay (12V) | 1 | | | X | X | X | X | X |
| - | AN4-3A | . Bolt | 2 | | | X | X | X | X | X |
| - | NAS1149F0432P | . Washer | 4 | | | X | X | X | X | X |
| - | MS35338-44 | . Lock Washer (0.062") | 2 | | | X | X | X | X | X |
| - | AN315-4R | . Nut | 2 | | | X | X | X | X | X |
| 30** | SAZ-4201E | . Relay Starter 12V | 1 | | | X | X | X | X | X |
| 30** | SAZ-4401-1 | . Relay Starter 24V | 1 | | | X | X | X | X | X |
| 30** | SAZ-4401 | . Relay Starter 24V (Superseded by SAZ-4401-1) | 1 | | | X | X | X | X | X |
| - | AN4-3A | . Bolt | 2 | | | X | X | X | X | X |
| - | NAS1149F0432P | . Washer | 4 | | | X | X | X | X | X |
| - | MS21044N4 | . Nut | 2 | | | X | X | X | X | X |
| - | AN365-428A | . Nut (Superseded by MS21044N4) | 2 | | | X | X | X | X | X |
| 40 | 10-400608-243 | . Vibrator, Starter, 24V | 1 | | | X | X | X | X | X |
| 40 | 10-400608-123 | . Starter Vibrator, 12V | 1 | | | X | X | X | X | X |
| 40 | 10-382780-12 | . Vibrator (Superseded by 10-400608-123 or -243) | 1 | | | X | X | X | X | X |
| - | AN3-3A | . Bolt | 2 | | | X | X | | | |
| - | NAS1149F0332P | . Washer | 4 | | | X | X | X | X | X |
| - | AN960-10L | . Washer (Superseded by NAS1149F0332P) | 4 | | | X | X | X | X | X |
| - | MS21044N3 | . Nut | 2 | | | X | X | | | |
| - | MS35207-262 | . Screw | 2 | | | X | X | X | X | X |
| - | MS35338-43 | . Lock Washer (#10) | 2 | | | X | X | X | X | X |
| - | MS35649-202 | . Nut | 2 | | | X | X | X | X | X |
| - | MS35206-244 | . Screw (GND) | 2 | | | X | X | X | X | X |

ENSTROM F-28/280 SERIES ILLUSTRATED PARTS CATALOG

FIGURE 6-2. ELECTRICAL PANELS

| ITEM NUMBER | PART NUMBER | DESCRIPTION | QTY PER ASSY | MODELS AFFECTED | | | | | | |
|-------------|---------------|---|--------------|-----------------|-----|-------|------|-------|------|-------|
| | | | | F-28A | 280 | F-28C | 280C | F-28F | 280F | 280FX |
| - | NAS1149FN816P | . Washer | 1 | | | X | X | X | X | X |
| - | MS35338-42 | . Lock Washer | 1 | | | X | X | X | X | X |
| - | AN340-8 | . Nut | 1 | | | X | X | X | X | X |
| 50A*‡ | ECD069-11 | . Alternator Control | 1 | | | | | X | X | |
| 50 | X-16799 | . Relay, Over-Voltage (Superseded by ECD069-11) | 1 | | | X | X | | | |
| - | AN3-3A | . Bolt | 2 | | | X | X | | | |
| - | NAS1149F0332P | . Washer | 4 | | | X | X | | | |
| - | MS21044N3 | . Nut | 2 | | | X | X | | | |
| 50A | B-00264-3 | . Overvoltage Control (Superseded by ECD069-11) | 1 | | | | | X | X | |
| - | MS35206-244 | . Screw | 2 | | | | | X | X | |
| - | NAS1149FN816P | . Washer | 4 | | | | | X | X | |
| - | MS35338-42 | . Washer (#8 Light) | 2 | | | | | X | X | |
| - | MS35649-282 | . Nut | 2 | | | | | X | X | |
| 60 | MS21919WCJ12 | . Clamp | 4 | | | X | X | X | X | X |
| - | MS35206-246 | . Screw | 4 | | | X | X | X | X | X |
| - | NAS1149FN816P | . Washer | 8 | | | X | X | X | X | X |
| - | MS35649-282 | . Nut | 4 | | | X | X | X | X | X |
| - | MS35206-246 | . Screw | 4 | | | X | X | X | X | X |
| - | NAS1149FN816P | . Washer | 8 | | | X | X | X | X | X |
| - | MS35338-42 | . Lock Washer | 4 | | | X | X | X | X | X |
| - | MS35649-282 | . Nut | 4 | | | X | X | X | X | |
| 70 | 28-19016-11 | . Plate | 1 | | | X | X | X | X | X |

* The ECD069-11 combines the voltage regulator and the overvoltage relay.

** Located in the battery compartment.

† Item 10A may have been used on some early "C" models.

‡ Available as a remanufactured part. Add a "-R" to the end of the part number when ordering.

Δ Effectivity F-28F S/N 833 – subsequent and 280FX S/N 2167 – subsequent. Eligible for F-28F S/N 509 – subsequent and 280FX S/N 2001 – subsequent; F-28C/280C S/N all.

ENSTROM F-28/280 SERIES ILLUSTRATED PARTS CATALOG

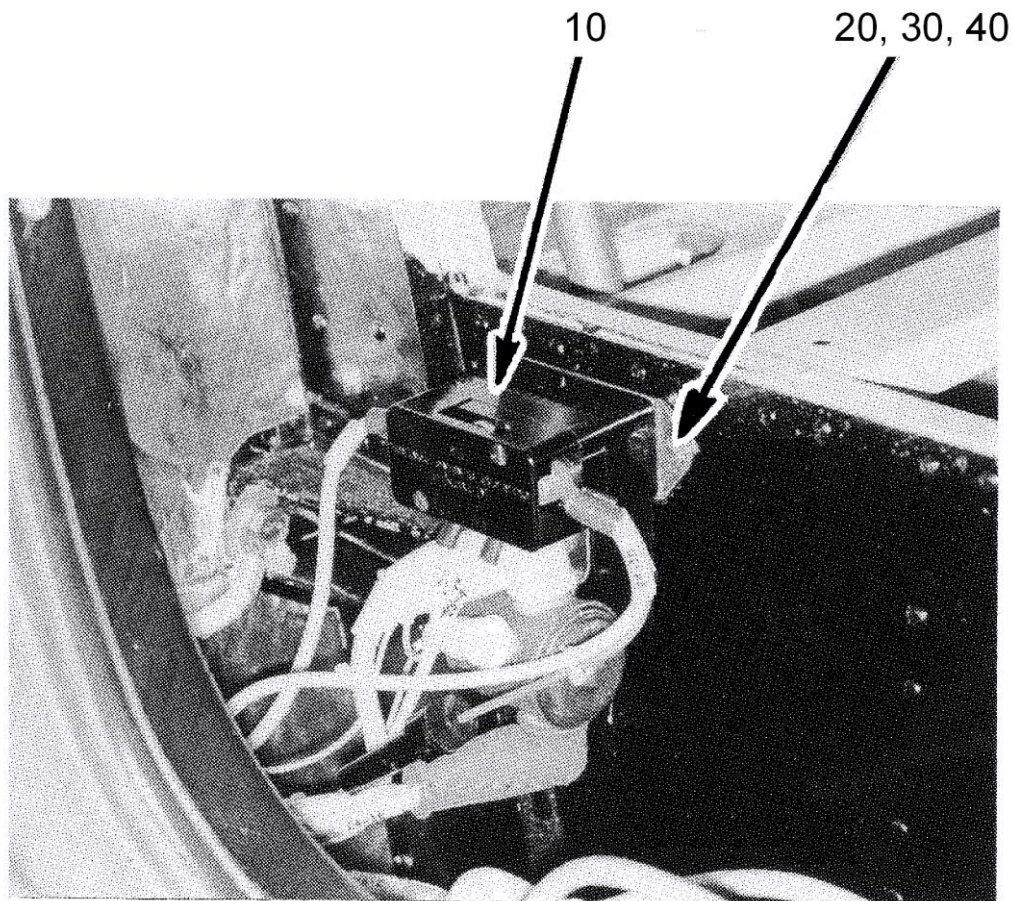


FIGURE 6-3. 12 VOLT BATTERY OVER-CURRENT BREAKER INSTALLATION

ENSTROM F-28/280 SERIES ILLUSTRATED PARTS CATALOG

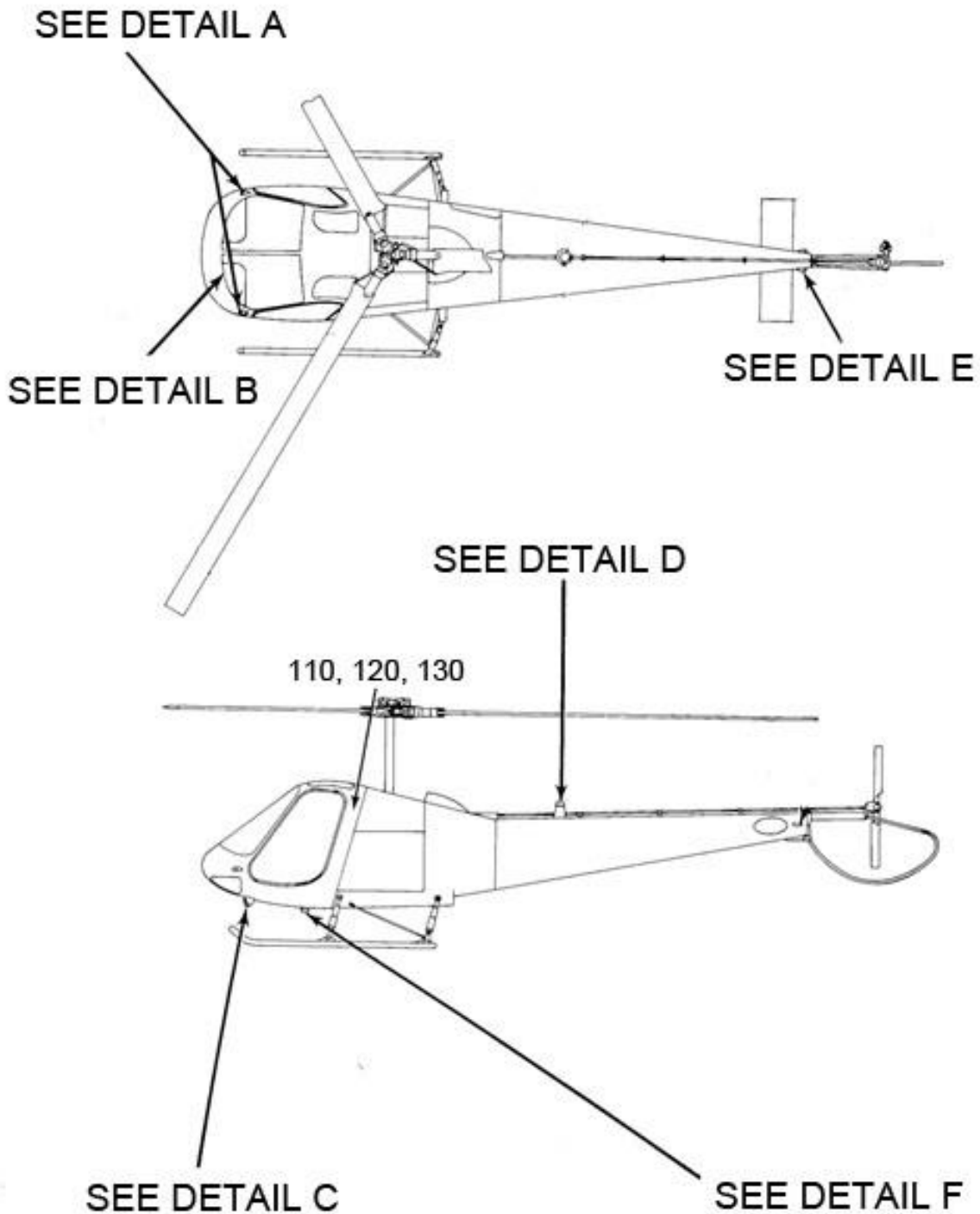
FIGURE 6-3. 12 VOLT BATTERY OVER-CURRENT BREAKER INSTALLATION

| ITEM NUMBER | PART NUMBER | DESCRIPTION | QTY PER ASSY | MODELS AFFECTED | | | | | | |
|-------------|---------------|---|--------------|-----------------|-----|-------|------|-------|------|-------|
| | | | | F-28A | 280 | F-28C | 280C | F-28F | 280F | 280FX |
| 10* | 7235-1-100 | . Breaker, Circuit, 100 A Thermal | 1 | | | X | X | X | X | X |
| 20* | AN3-3A | . Bolt | 2 | | | X | X | X | X | X |
| 30* | NAS1149F0332P | . Washer | 4 | | | X | X | X | X | X |
| 30* | AN960-10L | . Washer (Superseded by NAS1149F0332P) | 4 | | | X | X | X | X | X |
| 40* | MS21083N3 | . Nut | 2 | | | X | X | X | X | X |
| 40* | AN364-1032A | . Nut (Superseded by MS21083N3) | 2 | | | X | X | X | X | X |
| —** | MS26574-5 | . Breaker, Circuit, 5 Amp Push/Pull | 1 | | | X | X | X | X | X |
| —** | 1500-052-2 | . Breaker, Circuit, 2 Amp Push/Pull (Superseded By MS26574-5) | 1 | | | X | X | X | X | X |
| —** | 3MC1-3-2 | . Breaker, Circuit, 2 Amp Magnetic (Superseded By 1500-052-2) | 1 | | | X | X | X | X | X |
| —** | 28-18081-11 | . Placard (Bus Fault Breaker) | 1 | | | X | X | X | X | X |

* Located in the battery compartment

** Located on the instrument panel above the E.G.T.

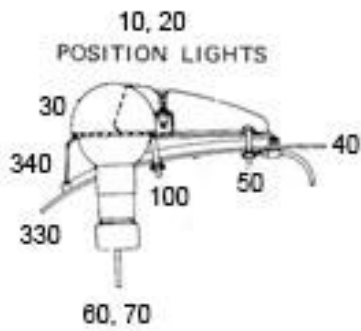
ENSTROM F-28/280 SERIES ILLUSTRATED PARTS CATALOG



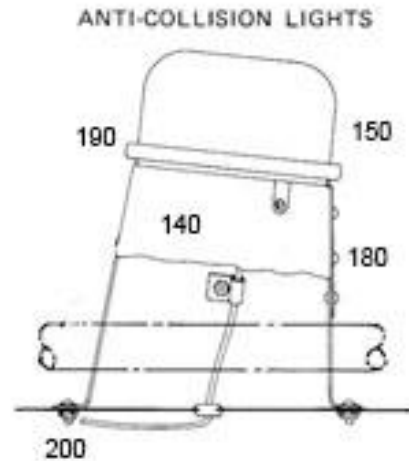
Sheet 1 of 2

FIGURE 6-4. LANDING LIGHT AND ANTI-COLLISION LIGHT (F-28A)

ENSTROM F-28/280 SERIES ILLUSTRATED PARTS CATALOG

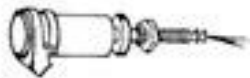


DETAIL A

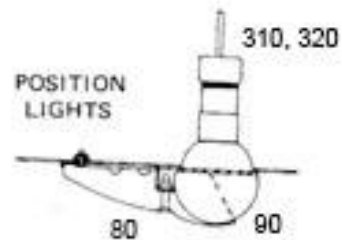


DETAIL D

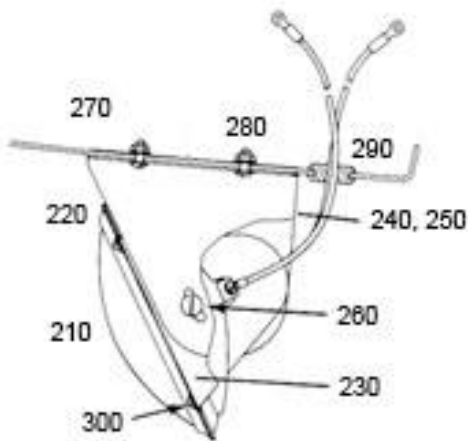
INSTRUMENT LIGHTS 350



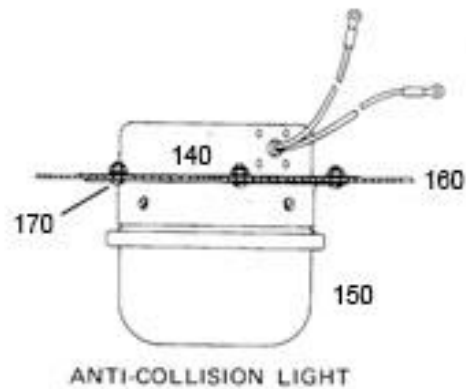
DETAIL B



DETAIL E



LANDING LIGHT
DETAIL C



DETAIL F

Sheet 2 of 2

FIGURE 6-4. LANDING LIGHT AND ANTI-COLLISION LIGHT (F-28A)

ENSTROM F-28/280 SERIES ILLUSTRATED PARTS CATALOG

FIGURE 6-4. LANDING LIGHT AND ANTI-COLLISION LIGHT (F-28A)

| ITEM NUMBER | PART NUMBER | DESCRIPTION | QTY PER ASSY | MODELS AFFECTED | | | | | | |
|-------------|---------------|---|--------------|-----------------|-----|-------|------|-------|------|-------|
| | | | | F-28A | 280 | F-28C | 280C | F-28F | 280F | 280FX |
| —* | 28-21000-1 | Night Lighting Kit | REF | X | | | | | | |
| 10● | 01-0770001-51 | . Position Light Assembly, Red, 14V | 1 | X | | | | | | |
| 10 | A1285-R-12 | . Left (Red) Forward (Superseded by 01-0770001-51) | 1 | X | | | | | | |
| —● | 34-0070373-01 | . . Bulb (Use with A1285-R-12 Position Light). | 1 | X | | | | | | |
| —● | 68-4230020-50 | . . Lens, Red Position Light | 1 | X | | | | | | |
| —● | 19-150002-009 | . . Lens Retainer | 1 | X | | | | | | |
| —● | 34-0414020-65 | . . Reflector Lamp, 14V | 1 | X | | | | | | |
| —● | 38-0230021-00 | . . Gasket, Position Light Lens | 1 | X | | | | | | |
| —● | 02-0350003-01 | . . Position Light Base Assembly | 1 | X | | | | | | |
| 20● | 01-0770001-41 | . Position Light Assembly, Green, 14V | 1 | X | | | | | | |
| 20 | A1285-G-12 | . Right (Green) Forward (Superseded by 01-0770001-41) | 1 | X | | | | | | |
| —● | 34-0070373-01 | . . Bulb (Use with A1285-G-12 Position Light) | 1 | X | | | | | | |
| —● | 68-4230020-40 | . . Lens, Green Position Light | 1 | X | | | | | | |
| —● | 19-150002-009 | . . Lens Retainer | 1 | X | | | | | | |
| —● | 34-0414020-65 | . . Reflector Lamp, 14V | 1 | X | | | | | | |
| —● | 38-0230021-00 | . . Gasket, Position Light Lens | 1 | X | | | | | | |
| —● | 02-0350003-01 | . . Position Light Base Assembly | 1 | X | | | | | | |
| 40 | 28-21003-1 | . Backing Plate | 2 | X | | | | | | |
| 50 | AN507-632R8 | . . Screw | 6 | X | | | | | | |
| — | NAS1149FN616P | . . Washer | 6 | X | | | | | | |
| — | AN960-6L | . . Washer (Superseded by NAS1149FN616P) | 6 | X | | | | | | |
| — | MS21083N06 | . . Nut | 6 | X | | | | | | |
| — | AN364-632A | . . Nut (Superseded by MS21083N06) | 6 | X | | | | | | |
| 60 | 28-19001-948 | Wire, Left | 1 | X | | | | | | |

ENSTROM F-28/280 SERIES ILLUSTRATED PARTS CATALOG

FIGURE 6-4. LANDING LIGHT AND ANTI-COLLISION LIGHT (F-28A)

| ITEM NUMBER | PART NUMBER | DESCRIPTION | QTY PER ASSY | MODELS AFFECTED | | | | | | |
|-------------|---------------|---|--------------|-----------------|-----|-------|------|-------|------|-------|
| | | | | F-28A | 280 | F-28C | 280C | F-28F | 280F | 280FX |
| 70 | 28-19001-943 | Wire, Right | 1 | X | | | | | | |
| 80● | NPN | . Position Light Assembly, Clear, 14V (See Note1) | 2 | X | | | | | | |
| 80● | A1285-C-12 | . Light Assy. Rear (Clear) | 2 | X | | | | | | |
| —● | 34-0070373-01 | . . Bulb (Use with A1285-C-12 Position Light) | 1 | X | | | | | | |
| —● | 68-4230020-30 | . . Lens, Clear | 1 | X | | | | | | |
| —● | 19-150002-009 | . . Lens Retainer | 1 | X | | | | | | |
| —● | 34-0414020-65 | . . Reflector Lamp, 14V | 1 | X | | | | | | |
| —● | 38-0230021-00 | . . Gasket, Position Light Lens | 1 | X | | | | | | |
| —● | 02-0350003-01 | . . Position Light Base Assembly | 1 | X | | | | | | |
| 90● | 34-0070373-01 | . Reflector Lamp 12V | 2 | X | | | | | | |
| 90 | 1512-140 | . Bulb (Superseded by 34-0070373-01) | 2 | X | | | | | | |
| 100 | AN507-632R12 | . Screw | 6 | X | | | | | | |
| — | MS21083N06 | . Nut | 6 | X | | | | | | |
| — | AN364-632A | . Nut (Superseded by MS21083N06) | 6 | X | | | | | | |
| — | NAS1149FN616P | . Washer | 6 | X | | | | | | |
| — | AN960-6L | . Washer (Superseded by NAS1149FN616P) | 6 | X | | | | | | |
| 110 | D6810A-12 | Map Light (Grimes) | 3 | X | | | | | | |
| 120 | 1816 | . Lamp | 3 | X | | | | | | |
| 130 | AN526-632R7 | . Screw | 6 | X | | | | | | |
| — | MS21083N06 | . Nut | 6 | X | | | | | | |
| — | AN364-632A | . Nut (Superseded by MS21083N06) | 6 | X | | | | | | |
| — | NAS1149FN616P | . Washer | 6 | X | | | | | | |
| — | AN960-6L | . Washer (Superseded by NAS1149FN616P) | 6 | X | | | | | | |
| 140● | 01-0770029 | Anti-Collision Light | 2 | X | | | | | | |
| 140 | D-7080A-12 | . Anti-Collision Light (Superseded by 01-0770029) | 2 | X | | | | | | |

ENSTROM F-28/280 SERIES ILLUSTRATED PARTS CATALOG

FIGURE 6-4. LANDING LIGHT AND ANTI-COLLISION LIGHT (F-28A)

| ITEM NUMBER | PART NUMBER | DESCRIPTION | QTY PER ASSY | MODELS AFFECTED | | | | | | |
|-------------|---------------|---|--------------|-----------------|-----|-------|------|-------|------|-------|
| | | | | F-28A | 280 | F-28C | 280C | F-28F | 280F | 280FX |
| 150● | 34-0070371-02 | . . Reflector Lamp, 14V, 40W | 4 | X | | | | | | |
| 150 | 7079B-12 | . . Bulb (Superseded by 34-0070371-02) | 4 | X | | | | | | |
| 160 | 28-21012-1 | . Backing Plate, Lower (Obsolete) | 1 | X | | | | | | |
| 170 | AN526-632R8 | . . Screw | 5 | X | | | | | | |
| - | NAS1149FN616P | . . Washer | 5 | X | | | | | | |
| - | AN960-6L | . . Washer (Superseded by NAS1149FN616P) | 5 | X | | | | | | |
| - | MS21083N06 | . . Nut | 5 | X | | | | | | |
| - | AN364-632A | . . Nut (Superseded by MS21083N06) | 5 | X | | | | | | |
| 180 | 28-21011-1 | . Light Mount, Upper | 1 | X | | | | | | |
| 190 | 1/8-6NA | . . Clamp | 1 | X | | | | | | |
| 200 | AN526-832R6 | . . Screw | 7 | X | | | | | | |
| - | NAS1149FN816P | . . Washer | 7 | X | | | | | | |
| - | AN960-8L | . . Washer (Superseded by NAS1149FN816P) | 7 | X | | | | | | |
| - | MS35489-1 | . . Grommet | 1 | X | | | | | | |
| 210 | 4509 | . Landing Light Bulb (100W) | 1 | X | | | | | | |
| 210 | GE4313 (250W) | . Landing Light Bulb (Superseded by 4509) | 1 | X | | | | | | |
| 220 | 28-21009-1 | . Lens Clamp | 1 | X | | | | | | |
| 230 | 28-21008-1 | . Lens Holder | 1 | X | | | | | | |
| 240 | 28-21007-1 | . Bracket (Obsolete) | 1 | X | | | | | | |
| 250 | 28-21006-1 | . Mounting Bracket (RH) | 1 | X | | | | | | |
| 260 | AN515-6-6 | . Screw | 4 | X | | | | | | |
| 270 | 28-21014-1 | . Backing Plate | 1 | X | | | | | | |
| 280 | AN526-632R8 | . Screw | 4 | X | | | | | | |
| - | NAS1149FN616P | . Washer | 4 | X | | | | | | |
| - | AN960-6L | . Washer (Superseded by NAS1149FN616P) | 4 | X | | | | | | |

ENSTROM F-28/280 SERIES ILLUSTRATED PARTS CATALOG

FIGURE 6-4. LANDING LIGHT AND ANTI-COLLISION LIGHT (F-28A)

| ITEM NUMBER | PART NUMBER | DESCRIPTION | QTY PER ASSY | MODELS AFFECTED | | | | | | |
|-------------|----------------|--|--------------|-----------------|-----|-------|------|-------|------|-------|
| | | | | F-28A | 280 | F-28C | 280C | F-28F | 280F | 280FX |
| - | MS21083N06 | . Nut | 4 | X | | | | | | |
| - | AN364-632A | . Nut (Superseded by MS21083N06) | 4 | X | | | | | | |
| 290 | MS35489-5 | . Grommet | 1 | X | | | | | | |
| 290 | AN931-3-10 | . Grommet (Superseded by MS35489-5) | 1 | X | | | | | | |
| 300 | MS35206-228 | . Screw | 4 | X | | | | | | |
| 300 | AN515-6-6 | . Screw (Superseded by MS35206-228) | 4 | X | | | | | | |
| - | NAS1149FN616P | . Washer | 8 | X | | | | | | |
| - | AN960-6L | . Washer (Superseded by NAS1149FN616P) | 8 | X | | | | | | |
| - | MS21083N06 | . Nut | 4 | X | | | | | | |
| - | AN364-632A | . Nut (Superseded by MS21083N06) | 4 | X | | | | | | |
| 310 | 32-5R | Wire | 1 | X | | | | | | |
| 320 | 32-7L | Wire | 1 | X | | | | | | |
| 330 | 28-21003-1 | . Backing Plate | 2 | X | | | | | | |
| 340 | 28-21002-3 | . Mount Pad (LH) | 1 | X | | | | | | |
| 340 | 28-21002-4 | . Mount Pad (RH) | 1 | X | | | | | | |
| 340 | 28-21002 | . Mount Pad (Superseded by 28-21002-3 and -4) | 2 | X | | | | | | |
| 350● | 01-0770119-09 | . Post Light | 9 | X | | | | | | |
| 350 | A-8970B-1-330 | . Instrument Light (Superseded by 01-0770119-09) | 9 | X | | | | | | |
| -● | 02-0350281-0 | . Post Light HD Assembly (Instrument White) | 1 | X | | | | | | |
| -● | 02-03705534-00 | . Base Assembly 1" | 1 | X | | | | | | |
| -● | 20-0824130A00 | . Spacer | 1 | X | | | | | | |
| - | 330 | . Lamp, Miniature, 14V | 1 | X | | | | | | |

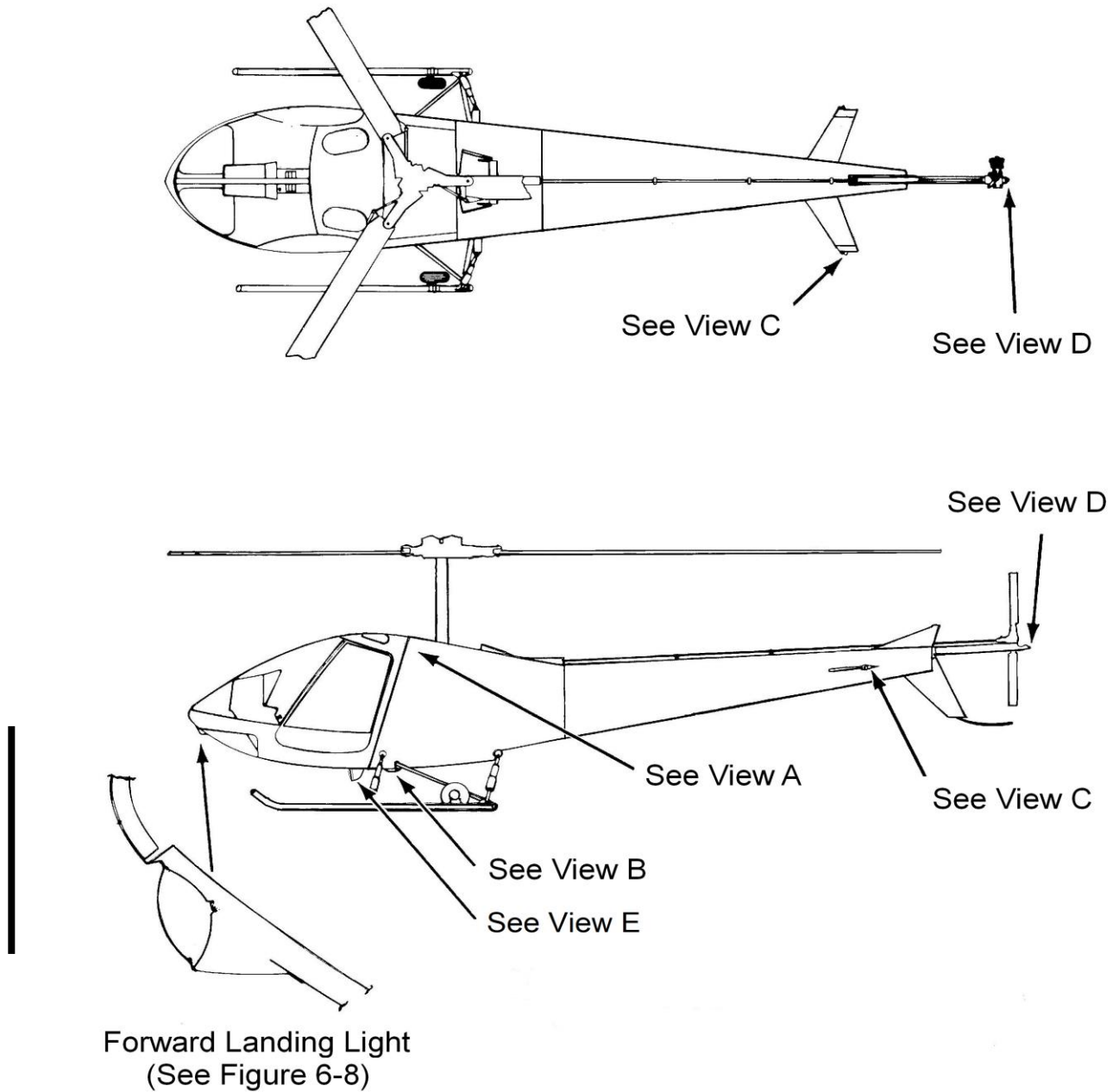
ENSTROM F-28/280 SERIES ILLUSTRATED PARTS CATALOG

* Used on early "C" models.

Note 1 To order a new light for the tail. Order a red (01-0770001-51) or green (01-0770001-41) position light and a clear lens (68-4230020-30).

- Order these parts from Whelen Engineering at www.whelen.com.

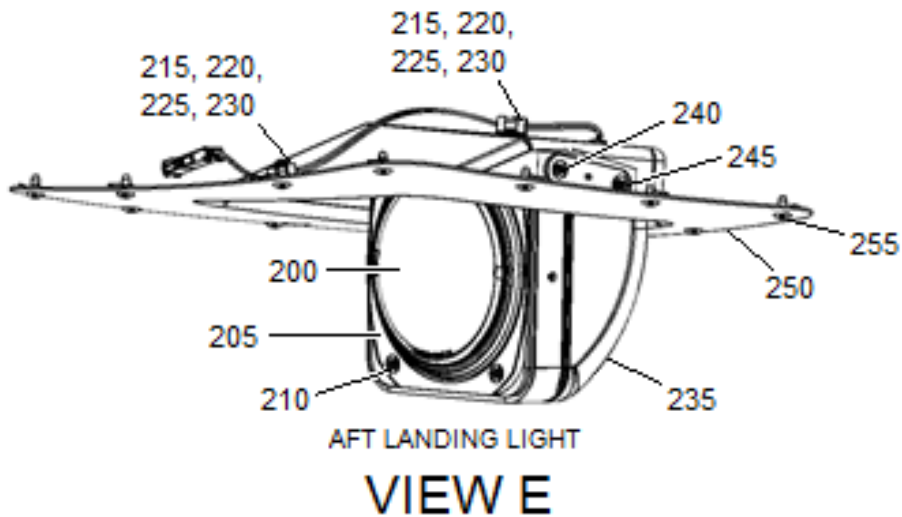
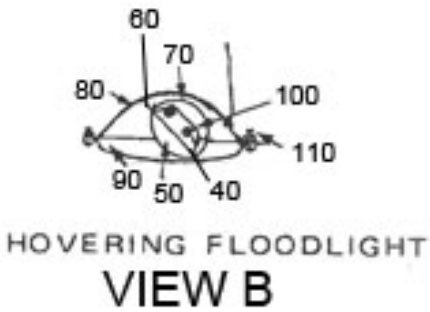
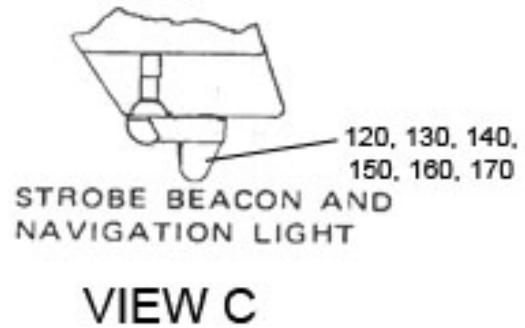
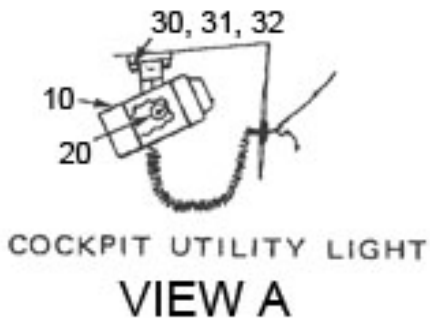
ENSTROM F-28/280 SERIES ILLUSTRATED PARTS CATALOG



Sheet 1 of 2

FIGURE 6-5. NIGHT LIGHTING KIT (280 MODELS)

ENSTROM F-28/280 SERIES ILLUSTRATED PARTS CATALOG



Sheet 2 of 2

FIGURE 6-5. NIGHT LIGHTING KIT (280 MODELS)

ENSTROM F-28/280 SERIES ILLUSTRATED PARTS CATALOG

FIGURE 6-5. NIGHT LIGHTING KIT (280 MODELS)

| ITEM NUMBER | PART NUMBER | DESCRIPTION | QTY PER ASSY | MODELS AFFECTED | | | | | | |
|-------------|---------------|--|--------------|-----------------|-----|-------|------|-------|------|-------|
| | | | | F-28A | 280 | F-28C | 280C | F-28F | 280F | 280FX |
| 10 | 15-0007-5 | Map Light (Grimes) | 1 | | X | | X | | X | |
| 10 | 2000653-001 | Utility Light (24 V) | 1 | | | | | X | | X |
| 20 | 1816 | . Lamp: 12 V | 1 | | X | | X | | X | |
| 20 | CM1816 | . Bulb (Superseded by 1816) | 1 | | X | | X | | X | |
| 20 | 313 | . Lamp: 24 V | 1 | | | | | X | | X |
| 30 | AN525-8R20 | . Screw | 2 | | X | | X | | X | X |
| 31 | NAS1149FN816P | . Washer | 2 | | X | | X | | X | X |
| 31 | AN960-8L | . Washer (Superseded by NAS1149FN816P) | 2 | | X | | X | | X | X |
| 32 | MS21083N08 | . Nut | 2 | | X | | X | | X | X |
| 32 | AN364-832 | . Nut (Superseded by MS21083N08) | 2 | | X | | X | | X | X |
| 40 | AN526-832R8 | . Screw | 4 | | X | | X | | X | X |
| 50 | 4591 | . Lamp (24V) | 1 | | | | | X | | X |
| 50 | 4406 | . Lamp (12V) | 1 | | X | | X | | X | |
| 60 | 28-21009-1 | . Lens Clamp | 2 | | X | | X | | X | X |
| 70 | 28-17313-1 | . Lens Holder | 1 | | X | | X | | X | X |
| 80 | 28-17314-1 | . Bracket Assembly | 1 | | X | | X | | X | X |
| 90 | 28-17316-1 | . Shield | 1 | | X | | X | | X | X |
| 100 | MS27039-0807 | . Screw | 4 | | X | | X | | X | X |
| - | NAS1149FN816P | . Washer | 4 | | X | | X | | X | X |
| - | AN960-8L | . Washer (Superseded by NAS1149FN816P) | 4 | | X | | X | | X | X |
| 110 | MS27039-0808 | . Screw | 12 | | X | | X | | X | X |
| - | NAS1149FN816P | . Washer | 4 | | X | | X | | X | X |
| - | AN960-8L | . Washer (Superseded by NAS1149FN816P) | 4 | | X | | X | | X | X |
| - | 28-21048-1 | . Position & Strobe Light Assy (Red) | 1 | | X | | X | | | |
| 120 | 01-0770054-02 | . Light, Position, Red (14V) | 1 | | X | | X | | | |
| - | 28-21048-3 | . Position & Strobe Light Assy (Green) | 1 | | X | | X | | | |

ENSTROM F-28/280 SERIES ILLUSTRATED PARTS CATALOG

FIGURE 6-5. NIGHT LIGHTING KIT (280 MODELS)

| ITEM NUMBER | PART NUMBER | DESCRIPTION | QTY PER ASSY | MODELS AFFECTED | | | | | | |
|-------------|---------------|---|--------------|-----------------|-----|-------|------|-------|------|-------|
| | | | | F-28A | 280 | F-28C | 280C | F-28F | 280F | 280FX |
| 130 | 01-0770054-00 | . . Light, Position, Green (14V) | 1 | | X | | X | | | |
| - | 28-21048-5 | . Position & Strobe Light Assy (Red) | 1 | | | | | X | X | X |
| 140 | 01-0790006-02 | . . Light, Position, Red (14V) | 1 | | | | | X | X | X |
| - | 28-21048-6 | . Position & Strobe Light Assy (Green) | 1 | | | | | X | X | X |
| 150 | 01-0790006-00 | . . Light, Position Green (14V) | 1 | | | | | X | X | X |
| -* | 28-21048-9 | . Position & Strobe Light Assy (Red) | 1 | | | | | X | X | X |
| - | 28-21048-7 | . Position & Strobe Light Assy (Red) (Inactive) | 1 | | | | | X | X | X |
| - | AN526-632R16 | . Screw | 3 | | | | | X | X | X |
| 160* | 01-0790340-04 | . . Light, Position, Red (24V) | 1 | | | | | X | X | X |
| 160 | 01-0790006-03 | . . Light, Position, Red (24V) (Inactive) | 1 | | | | | X | X | X |
| -* | 28-21048-101 | . Position & Strobe Light Assy (Green) | 1 | | | | | X | X | X |
| - | 28-21048-8 | . Position & Strobe Light Assy (Green) (Inactive) | 1 | | | | | X | X | X |
| - | AN526-632R16 | . Screw | 3 | | | | | X | X | X |
| 170* | 01-0790340-03 | . . Light, Position, Green (24V) | 1 | | | | | X | X | X |
| 170 | 01-0790006-01 | . . Light, Position, Green (24V) (Inactive) | 1 | | | | | X | X | X |
| 180 | 01-0770034-02 | . Tail Position Light (A555) | 1 | | X | | X | | X | |
| 190 | AN515-6-R11 | . Screw | 2 | | X | | X | | X | |
| -** | 280-210004-5 | Aft Landing Light Installation | 1 | | | | | | | X |
| 200 | 28-19132-3 | . Aft LED Landing Light Assembly | 1 | | | | | | | X |
| 205 | 28-21009-1 | . Lens Clamp | 1 | | | | | | | X |
| 210 | AN526-832R8 | . Screw | 4 | | | | | | | X |
| 215 | MS21919WDG2 | . Clamp | 2 | | | | | | | X |
| 220 | AN525-832R6 | . Screw | 2 | | | | | | | X |
| 225 | NAS1149FN816P | . Washer | 2 | | | | | | | X |

ENSTROM F-28/280 SERIES ILLUSTRATED PARTS CATALOG

FIGURE 6-5. NIGHT LIGHTING KIT (280 MODELS)

| ITEM NUMBER | PART NUMBER | DESCRIPTION | QTY PER ASSY | MODELS AFFECTED | | | | | | |
|-------------|--------------|--------------------------------------|--------------|-----------------|-----|-------|------|-------|------|-------|
| | | | | F-28A | 280 | F-28C | 280C | F-28F | 280F | 280FX |
| 230 | MS21083N08 | . Nut | 2 | | | | | | | X |
| 235 | 28-21010-3 | . Aft Landing Light Housing Assembly | 1 | | | | | | | X |
| 240 | AN526-832R10 | . Screw | 2 | | | | | | | X |
| 245 | AN526-832R9 | . Screw | 2 | | | | | | | X |
| 250† | 28-113054-1 | . Closeout Assembly | REF | | | | | | | X |
| 255† | 8X3/8 | . Screw | REF | | | | | | | X |

* Effectivity F-28F S/N 833 – subsequent and 280FX S/N 2148 – subsequent.
Eligibility F-28F S/N 509 – subsequent and 280FX S/N 2001 – subsequent.

** Effectivity 280FX S/N 2168 and subsequent.

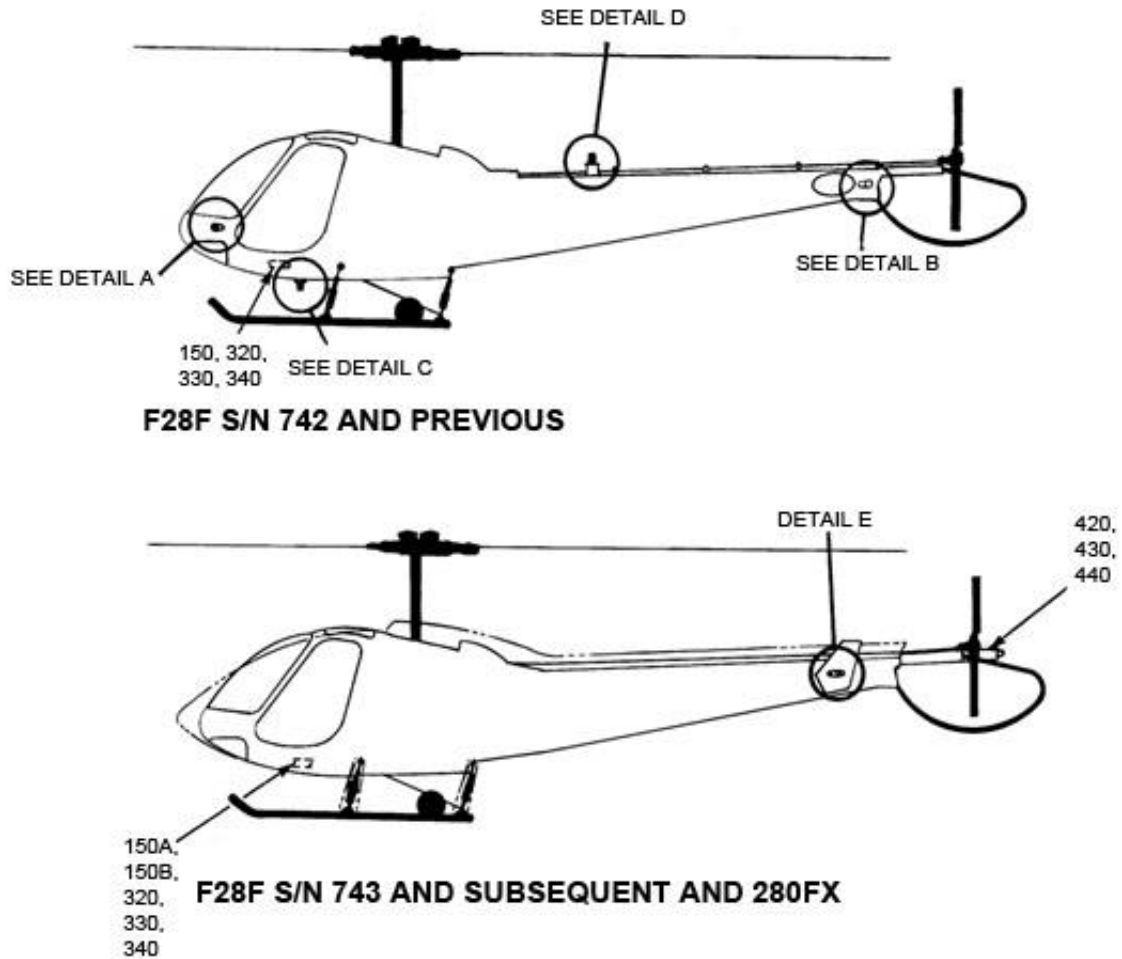
† Next assembly P/N 28-113055 (Ref. Figure 7-4D.).

ENSTROM F-28/280 SERIES ILLUSTRATED PARTS CATALOG

I

INTENTIONALLY LEFT BLANK

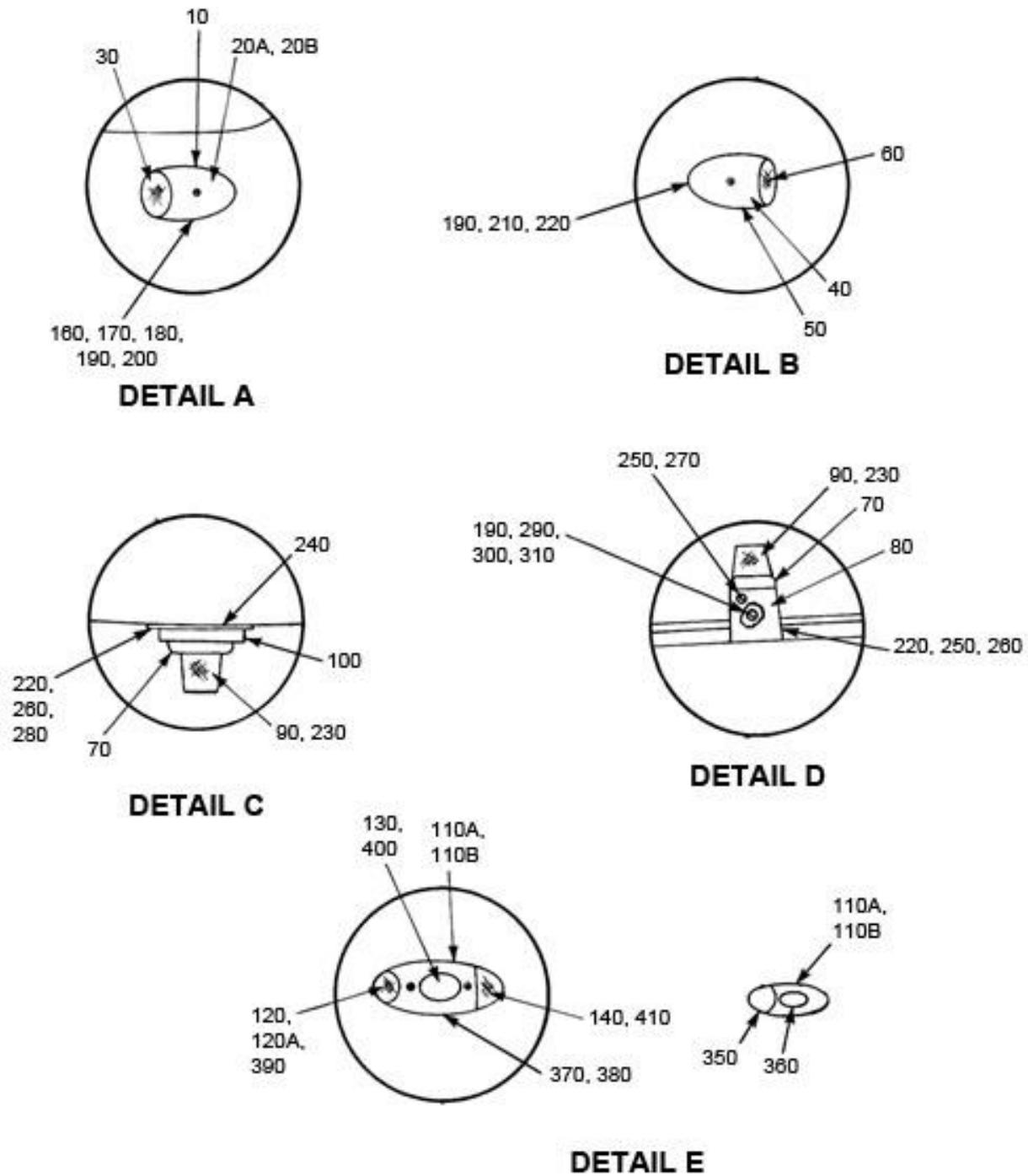
ENSTROM F-28/280 SERIES ILLUSTRATED PARTS CATALOG



Sheet 1 of 2

FIGURE 6-6. STROBE AND POSITION LIGHT INSTALLATION (C, F MODELS)

ENSTROM F-28/280 SERIES ILLUSTRATED PARTS CATALOG



Sheet 2 of 2

FIGURE 6-6. STROBE AND POSITION LIGHT INSTALLATION (C, F MODELS)

ENSTROM F-28/280 SERIES ILLUSTRATED PARTS CATALOG

FIGURE 6-6. STROBE AND POSITION LIGHT INSTALLATION (C, F MODELS)

| ITEM NUMBER | PART NUMBER | DESCRIPTION | QTY PER ASSY | MODELS AFFECTED | | | | | | |
|-------------|---------------|--|--------------|-----------------|-----|-------|------|-------|------|-------|
| | | | | F-28A | 280 | F-28C | 280C | F-28F | 280F | 280FX |
| 10 | 28-21002-3 | . Mount Pad (LH) | 1 | | | X | | X | | |
| 10 | 28-21002-4 | . Mount Pad (RH) | 1 | | | X | | X | | |
| 20A | A-1285-R-12 | . Light Assembly L.H. | 1 | | | X | | X | | |
| 20B | A-1285-G-12 | . Light Assembly R.H. | 1 | | | X | | X | | |
| 30 | 68-4230020-50 | . Lens-Red | 1 | | | X | | X | | |
| 30 | A-1280-2 | . Lens-Red (Superseded by 68-4230020-50) | 1 | | | X | | X | | |
| 30 | 68-4230020-40 | . Lens-Green | 1 | | | X | | X | | |
| 30 | A-1280-3 | . Lens-Green (Superseded by 68-4230020-40) | 1 | | | X | | X | | |
| 40 | 28-21004-1 | . Light Shroud (Obsolete) | 2 | | | X | | X | | |
| 50 | 30-0009-36 | . Light Assembly Wing | 2 | | | X | | X | | |
| 60 | A-1280-1 | . Lens-Clear | 2 | | | X | | X | | |
| 70 | H-103 | . Adapter | 2 | | | X | | X | | |
| 80 | 28-21011-1 | . Aircraft Light Mount | 1 | | | X | | X | | |
| 90 | 01-0770029-R | . Strobe Light - Red | 2 | | | | | | | |
| 90 | HR, DF-14R | . Strobe Light – Red (Superseded by 01-0770029-R) | 2 | | | | | | | |
| 100 | 19-130074-009 | . Adapter Plate | 1 | | | X | | X | | |
| 100 | A-440 | . Adapter Plate (Superseded by 19-130074-009) | 1 | | | X | | X | | |
| 110A | 28-21048-1 | . Position & Strobe Light Assy (LH) | 1 | | X | | X | | X | |
| 110B | 28-21048-3 | . Position & Strobe Light Assy (RH) | 1 | | X | | X | | X | |
| 110A | 28-21048-5 | . Position & Strobe Light Assy (LH) | 1 | | | | | X | | X |
| 110B | 28-21048-6 | . Position & Strobe Light Assy (RH) | 1 | | | | | X | | X |
| 110A | 28-21048-7 | . Position & Strobe Light Assy (LH) (24V) (Inactive) | 1 | | | | | X | | X |
| 110B | 28-21048-8 | . Position & Strobe Light Assy (RH) (24V) (Inactive) | 1 | | | | | X | | X |
| 110C* | 28-21048-9 | . Position & Strobe Light Assy (Red) | 1 | | | | | X | X | X |

ENSTROM F-28/280 SERIES ILLUSTRATED PARTS CATALOG

FIGURE 6-6. STROBE AND POSITION LIGHT INSTALLATION (C, F MODELS)

| ITEM NUMBER | PART NUMBER | DESCRIPTION | QTY PER ASSY | MODELS AFFECTED | | | | | | |
|-------------|---------------|---|--------------|-----------------|-----|-------|------|-------|------|-------|
| | | | | F-28A | 280 | F-28C | 280C | F-28F | 280F | 280FX |
| 110D* | 28-21048-101 | . Position & Strobe Light Assy (Green) | 1 | | | | | X | X | X |
| 120 | 68-4230020-50 | . Lens-Red | 1 | | X | | X | X | X | X |
| 120 | W-1284-R | . Lens-Red (Superseded by 68-4230020-50) | 1 | | X | | X | X | X | X |
| 120A | 68-4230020-40 | . Lens-Green | 1 | | X | | X | X | X | X |
| 120A | W-1284-G | . Lens-Green (Superseded by 68-4230020-40) | 1 | | X | | X | X | X | X |
| 130 | 02-0250276-00 | . Flash Tube | 2 | | X | | X | X | X | X |
| 130 | A610 | . Flash Tube (Superseded by 02-0250276-00) | 2 | | X | | X | X | X | X |
| 140 | 34-0412070-63 | . Lamp, Light 12 V | 1 | | X | | X | X | X | |
| 140 | A508-14 | . Lamp, Light 12 V Tail (Superseded by 34-0412070-63) | 1 | | X | | X | X | X | |
| 140 | 34-0428070-64 | . Lamp, Light 28 V | 1 | | X | | X | X | X | |
| 140 | A508-28 | . Lamp, Light 28 V (Superseded by 34-0428070-64) | 1 | | X | | X | X | X | |
| 150 | 01-0770028-05 | . Power Supply – Strobe | 1 | | | X | | X | | |
| 150 | A413A,HDA,DF | . Power Supply – Strobe (Superseded by 01-0770028-05) | 1 | | | X | | X | | |
| 150A♦ | 01-0770006-08 | . Power Supply | 2 | | | | | X | X | X |
| 150A | A490T-DF14 | . Power Supply – Strobe (Superseded by 01-0770006-08) | 2 | | | | | X | X | X |
| 150B | A490T-DF28 | . Power Supply (28V) (Replaced by 01-0770006-08) | 2 | | | | | X | | X |
| 160 | AN507-632R24 | . Screw | 4 | | | X | | X | | |
| 170 | AN507-632R14 | . Screw | 2 | | X | X | X | X | | |
| 180 | NAS1149FN632P | . Washer | 6 | | | X | | X | | |
| 180 | AN960-6 | . Washer (Superseded by NAS1149FN632P) | 6 | | | X | | X | | |
| 190 | MS21083N06 | . Nut | 12 | | | X | | X | | |
| 190 | AN364-632A | . Nut (Superseded by MS21083N06) | 12 | | | X | | X | | |
| 200 | 980-001 | . Channel, Rubber, "U" | AR | | | X | | X | | |

ENSTROM F-28/280 SERIES ILLUSTRATED PARTS CATALOG

FIGURE 6-6. STROBE AND POSITION LIGHT INSTALLATION (C, F MODELS)

| ITEM NUMBER | PART NUMBER | DESCRIPTION | QTY PER ASSY | MODELS AFFECTED | | | | | | |
|-------------|------------------|---|--------------|-----------------|-----|-------|------|-------|------|-------|
| | | | | F-28A | 280 | F-28C | 280C | F-28F | 280F | 280FX |
| 210 | AN507-632R8 | . Screw | 6 | | | X | | X | | |
| 220 | AN960-6L | . Washer (Superseded by NAS1149FN616P) | 17 | | | X | | X | | |
| 230 | A470-R | . Head Assembly – Red (Obsolete) | 2 | | | X | | X | | |
| 240 | 28-21012-1 | . Backing Plate (Obsolete) | 1 | | | X | | X | | |
| 250 | AN526-632R6 | . Screw | 12 | | | X | | X | | |
| 260 | AN365-632A | . Nut | 11 | | | X | | X | | |
| 270 | MS35333-37 | . Washer | 6 | | | X | | X | | |
| 270 | AN936-A6 | . Washer (Superseded by MS35333-37) | 6 | | | X | | X | | |
| 280 | AN526-632R7 | . Screw | 5 | | | X | | X | | |
| 290 | 5/8-6NA | . Clamp | 1 | | | X | | X | | |
| 300 | 5310-00-063-9015 | . Washer, Saddle | 1 | | | X | | X | | |
| 300 | D6-167 | . Washer (Superseded by 5310-00-063-9015) | 1 | | | X | | X | | |
| 310 | AN526-632R8 | . Screw | 1 | | | X | | X | | |
| 320 | AN526-832R8 | . Screw | 12 | | | X | | X | | X |
| 330 | NAS1149FN816P | . Washer | 12 | | | X | | X | | X |
| 330 | AN960-8L | . Washer (Superseded by NAS1149FN816P) | 12 | | | X | | X | | X |
| 340 | MS21083N08 | . Nut | 12 | | | X | | X | | X |
| 340 | AN364-832A | . Nut (Superseded by MS21083N08) | 12 | | | X | | X | | X |
| 350 | 34-0070373-01 | . Lamp, Reflector 12 V | 4 | | | X | | X | | |
| 350 | 34-0070373-03 | . Lamp, Reflector 24 V | 4 | | | X | | X | | |
| 350 | 1512 | . Lamp, Reflector (Superseded by 34-0070373-0X) | 4 | | | X | | X | | |
| 360 | A469 | . Flash Tube | 2 | | | X | | X | | |
| 370 | AN526-632R8 | . Screw | 4 | | | | | X | | X |
| 380 | AN507-632R8 | . Screw | 2 | | | | | X | | X |
| 390 | W-1290-14 | . Lamp, 12 V | 2 | | X | | X | X | X | X |
| 390 | W-1290-28 | . Lamp, 24 V | 2 | | X | | X | X | X | X |

ENSTROM F-28/280 SERIES ILLUSTRATED PARTS CATALOG

FIGURE 6-6. STROBE AND POSITION LIGHT INSTALLATION (C, F MODELS)

| ITEM NUMBER | PART NUMBER | DESCRIPTION | QTY PER ASSY | MODELS AFFECTED | | | | | | |
|-------------|---------------|--|--------------|-----------------|-----|-------|------|-------|------|-------|
| | | | | F-28A | 280 | F-28C | 280C | F-28F | 280F | 280FX |
| 390 | 34-0428020-65 | . Lamp, 24 V (Alternate to W-1290-28) | 2 | | X | | X | X | X | X |
| 400 | 68-2290005-30 | . Lens-Clear, Strobe | 2 | | X | | X | X | X | X |
| 400 | A612 | . Lens-Clear, Strobe (Superseded by 68-2290005-30) | 2 | | X | | X | X | X | X |
| 410 | 68-4250066-30 | . Lens – Clear (Tail) | 2 | | | | | X | | X |
| 410 | A615 | . Lens-Clear (Tail) (Superseded by 68-4250066-30) | 2 | | | | | X | | X |
| 420 | A555-H | . Light Assembly (Tail) | 1 | | X | | X | X | X | |
| 430 | 68-4270002-30 | . . Lens-Clear (Tail) | 1 | | X | | X | X | X | |
| 430 | A457A | . . Lens-Clear (Tail) (Superseded by 68-4270002-30) | 1 | | X | | X | X | X | |
| 440 | 34-0412070-63 | . . Lamp, Light, 12 V (Tail) | 2 | | | | | X | | X |
| 440 | A508-14 | . . Lamp, Light, 12 V (Tail) (Superseded by 34-0412070-63) | 2 | | | | | X | | X |

* Effectivity F-28F S/N 833 – subsequent and 280FX S/N 2148 – subsequent.
 Eligibility F-28F S/N 509 – subsequent and 280FX S/N 2001 – subsequent.
 Installed with Retainer (Qty 1) and Screw (Qty 2) (included as part of light (Item 150 or Item 160 as applicable)).
 See Figure 6-5. Item 150 and Item 160.

◆ Equivalent to A490TCF.

ENSTROM F-28/280 SERIES ILLUSTRATED PARTS CATALOG

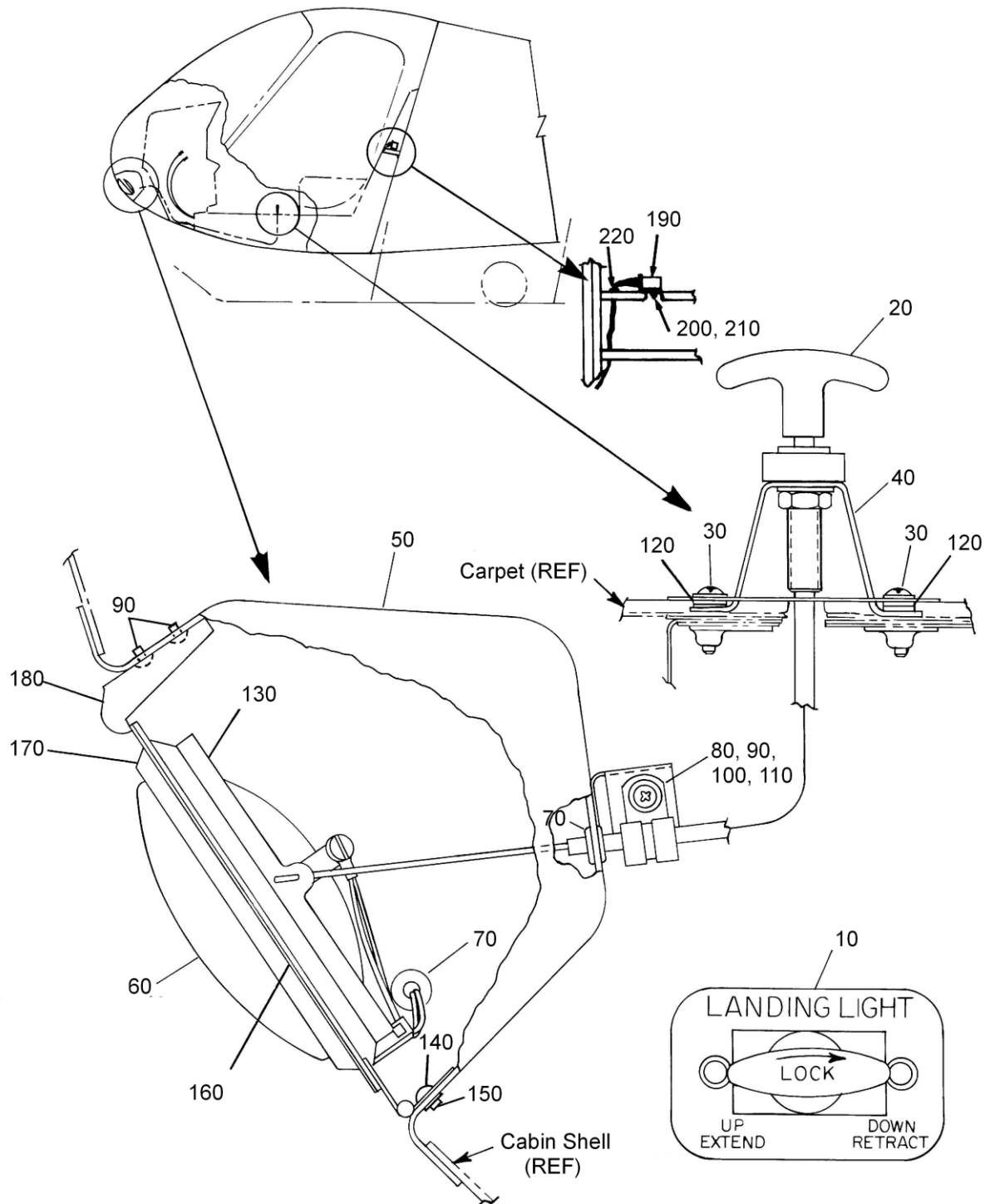


FIGURE 6-7. FORWARD LANDING LIGHT INSTALLATION (F-28C, F-28F)

ENSTROM F-28/280 SERIES ILLUSTRATED PARTS CATALOG

FIGURE 6-7. FORWARD LANDING LIGHT INSTALLATION (F-28C, F-28F)

| ITEM NUMBER | PART NUMBER | DESCRIPTION | QTY PER ASSY | MODELS AFFECTED | | | | | | |
|-------------|---------------|--|--------------|-----------------|-----|-------|------|-------|------|-------|
| | | | | F-28A | 280 | F-28C | 280C | F-28F | 280F | 280FX |
| - | 28-21053-3 | Light Installation – Forward Landing | REF | | | X | | X | | |
| - | 28-21052-1 | Holder & Housing Assembly (Forward) | REF | | | X | | X | | |
| 10 | 28-21035-5 | . Placard (Light Landing) | 1 | | | X | | X | | |
| 20 | 28-21024-1 | . Cable Assembly | 1 | | | X | | X | | |
| 30 | AN526-832R10 | . Screw | 2 | | | X | | X | | |
| 40 | 28-21034-1 | . Bracket | 1 | | | X | | X | | |
| *50 | 28-21051-11 | . Housing | 1 | | | X | | X | | |
| 60 | 4509 | . Lamp: 13 Volt, 110000 C/P | 1 | | | X | | X | | |
| 70 | MS35489-6 | . Grommet | 1 | | | X | | X | | |
| 70 | AN931-4-7 | . Grommet (Superseded by MS35489-6) | 1 | | | X | | X | | |
| 80 | MS21919WDG3 | . Clamp (AL) | 1 | | | X | | X | | |
| 90 | AN526-832R8 | . Screw | 3 | | | X | | X | | |
| 100 | NAS1149FN816P | . Washer | 2 | | | X | | X | | |
| 100 | AN960-8L | . Washer (Superseded by NAS1149FN816P) | 2 | | | X | | X | | |
| 110 | MS21083N08 | . Nut | 1 | | | X | | X | | |
| 110 | AN364-832A | . Nut (Superseded by MS21083N08) | 1 | | | X | | X | | |
| 120 | NAS1149FN832P | . Washer | 4 | | | X | | X | | |
| 120 | AN960-8 | . Washer (Superseded by NAS1149FN832P) | 4 | | | X | | X | | |
| 130 | 28-21043-1 | . Lens Holder Assembly | 1 | | | X | | X | | |
| 140 | MS20470AD3-4 | . Rivet | 4 | | | X | | X | | |
| 150 | NAS1149FN316P | . Washer | 4 | | | X | | X | | |
| 150 | AN960-3L | . Washer (Superseded by NAS1149FN316P) | 4 | | | X | | X | | |
| 160 | AN526-632R8 | . Screw | 4 | | | X | | X | | |
| 170 | 28-21009-1 | . Lens Clamp | 1 | | | X | | X | | |

ENSTROM F-28/280 SERIES ILLUSTRATED PARTS CATALOG

FIGURE 6-7. FORWARD LANDING LIGHT INSTALLATION (F-28C, F-28F)

| ITEM NUMBER | PART NUMBER | DESCRIPTION | QTY PER ASSY | MODELS AFFECTED | | | | | | |
|-------------|---------------|--|--------------|-----------------|-----|-------|------|-------|------|-------|
| | | | | F-28A | 280 | F-28C | 280C | F-28F | 280F | 280FX |
| 180 | 28-21050-11 | . Stop | 1 | | | X | | X | | |
| 190 | 97CSX-2 24VDC | . Relay, Power, 24 VDC | 1 | | | X | | X | | |
| 190 | W97CSX-2 | . Relay (Superseded by 97CSX-2 24VDC) | 1 | | | X | | X | | |
| 200 | NAS1149FN832P | . Washer (0.032) | 1 | | | X | | X | | |
| 200 | AN960-8 | . Washer (Superseded by NAS1149FN832P) | 1 | | | X | | X | | |
| 210 | MS21083N08 | . Nut | 1 | | | X | | X | | |
| 210 | AN364-832A | . Nut (Superseded by MS21083N08) | 1 | | | X | | X | | |
| 220 | MS35489-6 | . Grommet | 1 | | | X | | X | | |
| 220 | AN931-4-7 | . Grommet (Superseded by MS35489-6) | 1 | | | X | | X | | |

* This part is bonded to the cabin.

ENSTROM F-28/280 SERIES ILLUSTRATED PARTS CATALOG

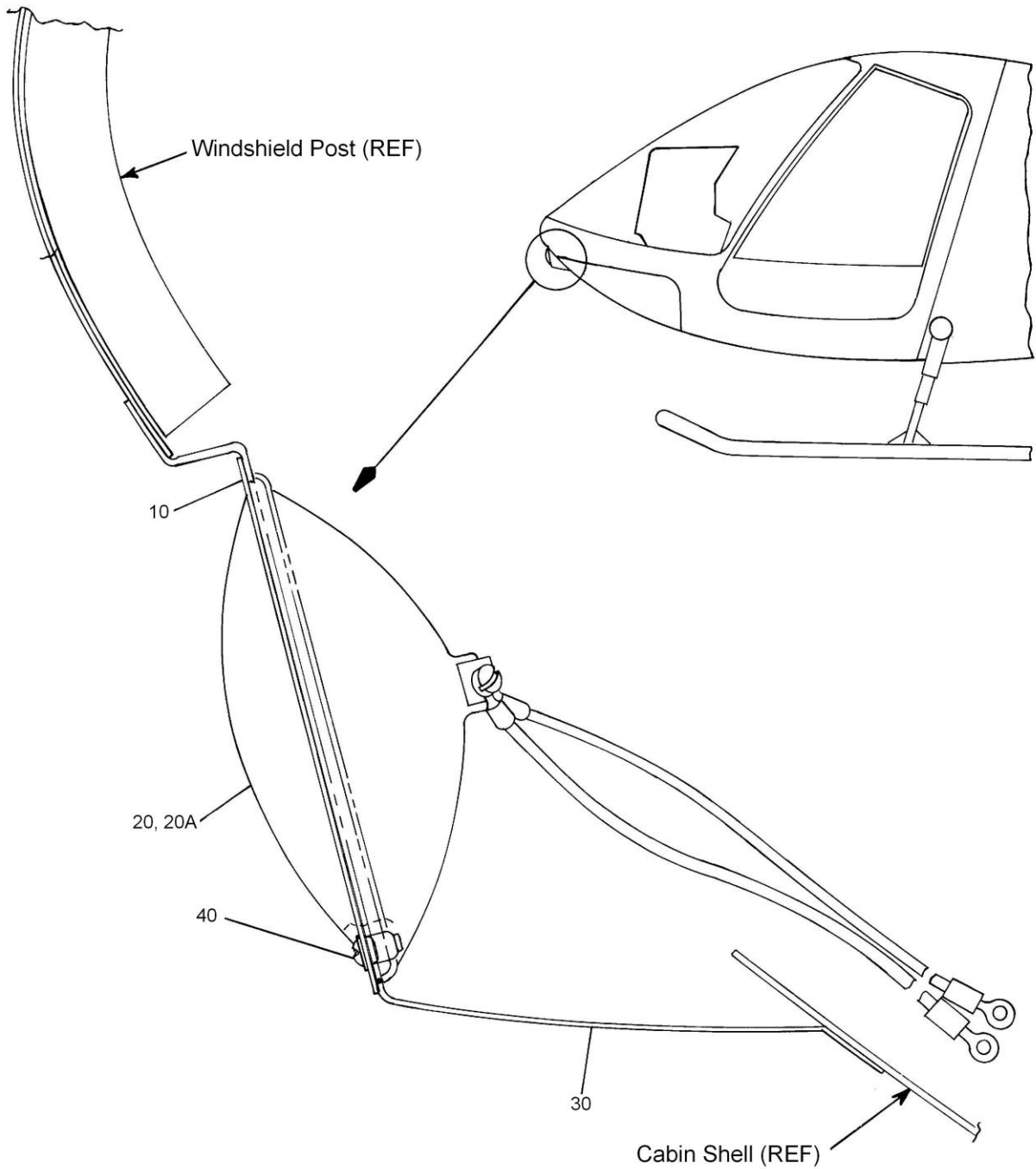


FIGURE 6-8. FORWARD LANDING LIGHT INSTALLATION (280 SERIES)

ENSTROM F-28/280 SERIES ILLUSTRATED PARTS CATALOG

FIGURE 6-8. FORWARD LANDING LIGHT INSTALLATION (280 SERIES)

| ITEM NUMBER | PART NUMBER | DESCRIPTION | QTY PER ASSY | MODELS AFFECTED | | | | | | |
|-------------|---------------|----------------------|--------------|-----------------|-----|-------|------|-------|------|-------|
| | | | | F-28A | 280 | F-28C | 280C | F-28F | 280F | 280FX |
| 10 | 28-21009-1 | . Lens Clamp | 1 | | X | | X | | X | X |
| 20 | 4509 | . Lamp 13V | 1 | | X | | X | | X | X |
| 20A | 4596 | . Lamp: Landing 28 V | 1 | | | | | | X | X |
| 30* | 280-210007-3 | . Fairing Assembly | 1 | | | | | | | X |
| – | 280-210007-13 | . . Housing | 1 | | | | | | | X |
| – | CCR264-SS3-3 | . . Rivet | 8 | | | | | | | X |
| – | NAS636A08 | . . Anchor Nut | 4 | | | | | | | X |
| 30* | 280-210007-1 | . Fairing Assembly | 1 | | X | | X | | X | |
| – | 280-210007-11 | . . Housing | 1 | | X | | X | | X | |
| – | CCR264-SS3-3 | . . Rivet | 8 | | X | | X | | X | |
| – | NAS636A08 | . . Anchor Nut | 4 | | X | | X | | X | |
| 40 | AN526-832R8 | . Screw | 4 | | X | | X | | X | X |

* This part is bonded to the cabin.

ENSTROM F-28/280 SERIES ILLUSTRATED PARTS CATALOG

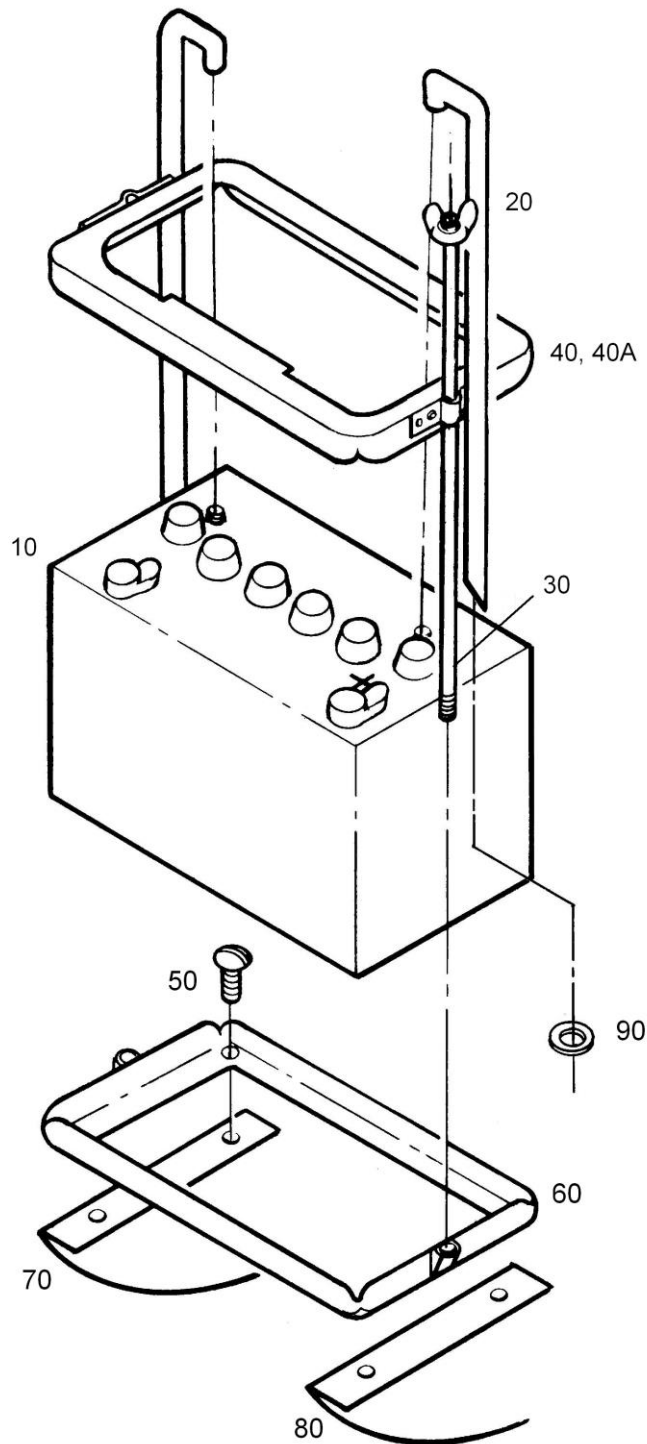


FIGURE 6-9. BATTERY INSTALLATION (F-28A, 280)

ENSTROM F-28/280 SERIES ILLUSTRATED PARTS CATALOG

FIGURE 6-9. BATTERY INSTALLATION (F-28A, 280)

| ITEM NUMBER | PART NUMBER | DESCRIPTION | QTY PER ASSY | MODELS AFFECTED | | | | | | |
|-------------|---------------|---|--------------|-----------------|-----|-------|------|-------|------|-------|
| | | | | F-28A | 280 | F-28C | 280C | F-28F | 280F | 280FX |
| 10 | AC78M | . Exide Battery (or Equivalent) | 1 | X | X | | | | | |
| 20 | 64021 | . Vent Line (or Equivalent) | 2 | X | X | | | | | |
| 30 | 28-19106-5 | . Rod Assembly | 2 | X | X | | | | | |
| 30 | 28-19106-3 | . Rod Assembly (Superseded by 28-19106-5) | 2 | X | X | | | | | |
| 30 | 28-19106-1 | . Rod (Superseded by 28-19106-3) | 2 | X | X | | | | | |
| 40 | 28-19104-1 | . Top Battery Retainer Assembly | 1 | X | X | | | | | |
| 50 | AN507-832-16 | . Screw | 4 | X | X | | | | | |
| 60 | 28-19105-1 | . Bottom Battery Retainer Assembly | 1 | X | X | | | | | |
| 70 | 28-11360-1 | . Support Bulkhead | 1 | X | X | | | | | |
| 80 | 280-113019-31 | . Support Battery Seat | 2 | X | X | | | | | |
| 90 | AN931-8-13 | . Grommet | 2 | X | X | | | | | |

Note: Item #4 may require changing when a battery other than AC78M is installed.

ENSTROM F-28/280 SERIES ILLUSTRATED PARTS CATALOG

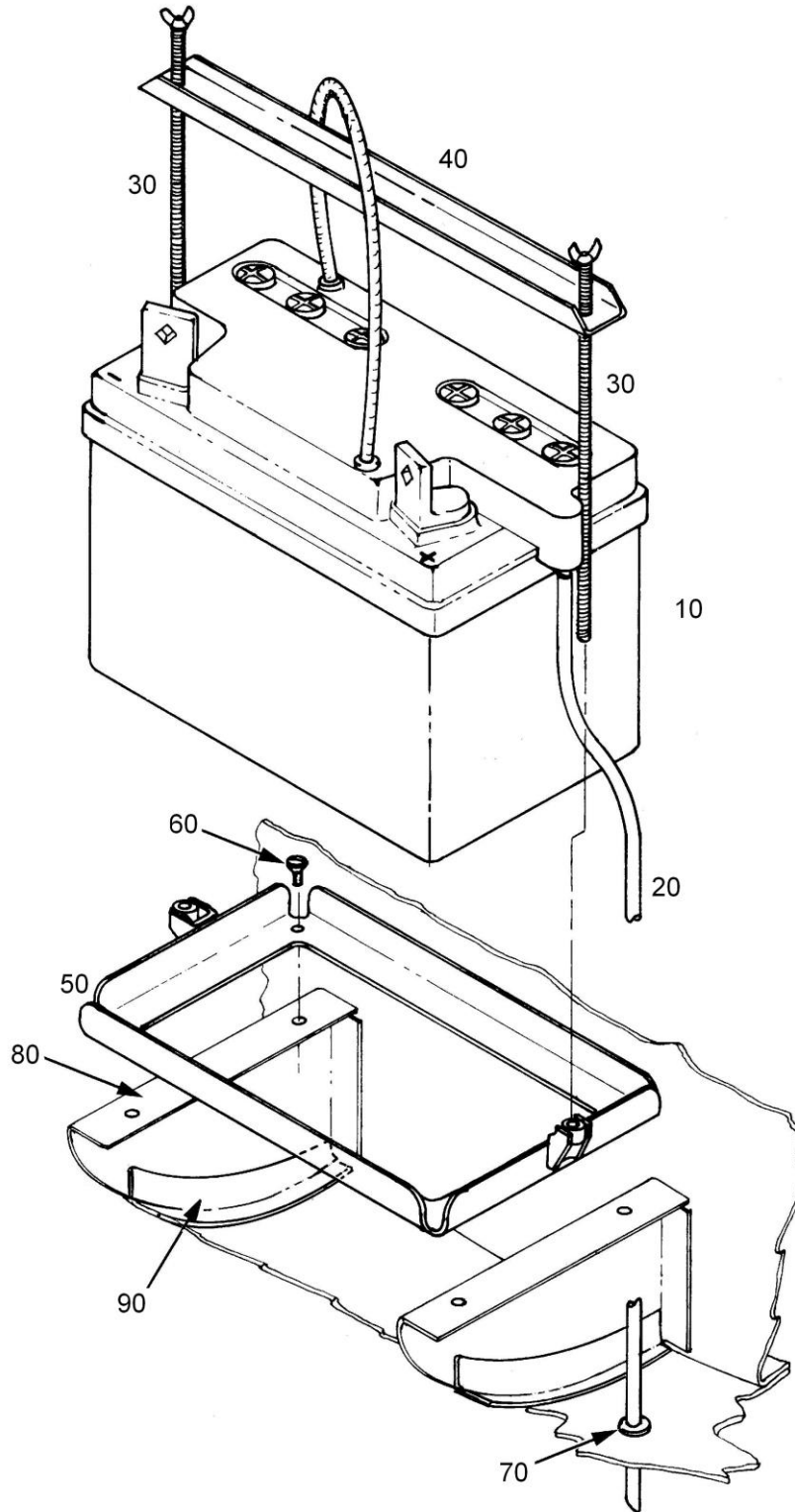


FIGURE 6-10. 12 VOLT BATTERY INSTALLATION (C, F, FX Models)

ENSTROM F-28/280 SERIES ILLUSTRATED PARTS CATALOG

FIGURE 6-10. 12 VOLT BATTERY INSTALLATION (C, F, FX Models)

| ITEM NUMBER | PART NUMBER | DESCRIPTION | QTY PER ASSY | MODELS AFFECTED | | | | | | |
|-------------|---------------|---|--------------|-----------------|-----|-------|------|-------|------|-------|
| | | | | F-28A | 280 | F-28C | 280C | F-28F | 280F | 280FX |
| 10 | RG-35 | . Battery 12V | 1 | | | X | X | X | X | X |
| 10 | R35M | . Battery 12 V | 1 | | | X | X | X | X | X |
| 10 | CB35M | . Battery 12V | 1 | | | X | X | X | X | X |
| 20 | 300-037 | . Vent Tubing | A/R | | | X | X | X | X | X |
| 30 | 28-19106-5 | . Rod Assembly | 2 | | | X | X | X | X | X |
| 30 | 28-19106-3 | . Rod Assembly (Superseded by 28-19106-5) | 2 | | | X | X | X | X | X |
| 40 | 28-19103-1 | . Battery Retainer Assembly (Top) | 1 | | | X | X | X | X | X |
| 50 | 28-19105-1 | . Bottom Battery Retainer Assembly | 1 | | | X | X | X | X | X |
| 60 | AN525-832R8 | . Screw | 4 | | | X | X | X | X | X |
| 60 | AN526-832R8 | . Screw (Superseded by AN525-832R8) | 4 | | | X | X | X | X | X |
| 70 | MS35489-6 | . Grommet | 1 | | | X | X | X | X | X |
| 70 | AN931-4-7 | . Grommet (Superseded by MS35489-6) | 1 | | | X | X | X | X | X |
| 80 | 280-113016-29 | . Battery Support | 2 | | | X | X | X | X | X |
| 90 | 280-113016-31 | . Stiffener | 2 | | | X | X | X | X | X |

ENSTROM F-28/280 SERIES ILLUSTRATED PARTS CATALOG

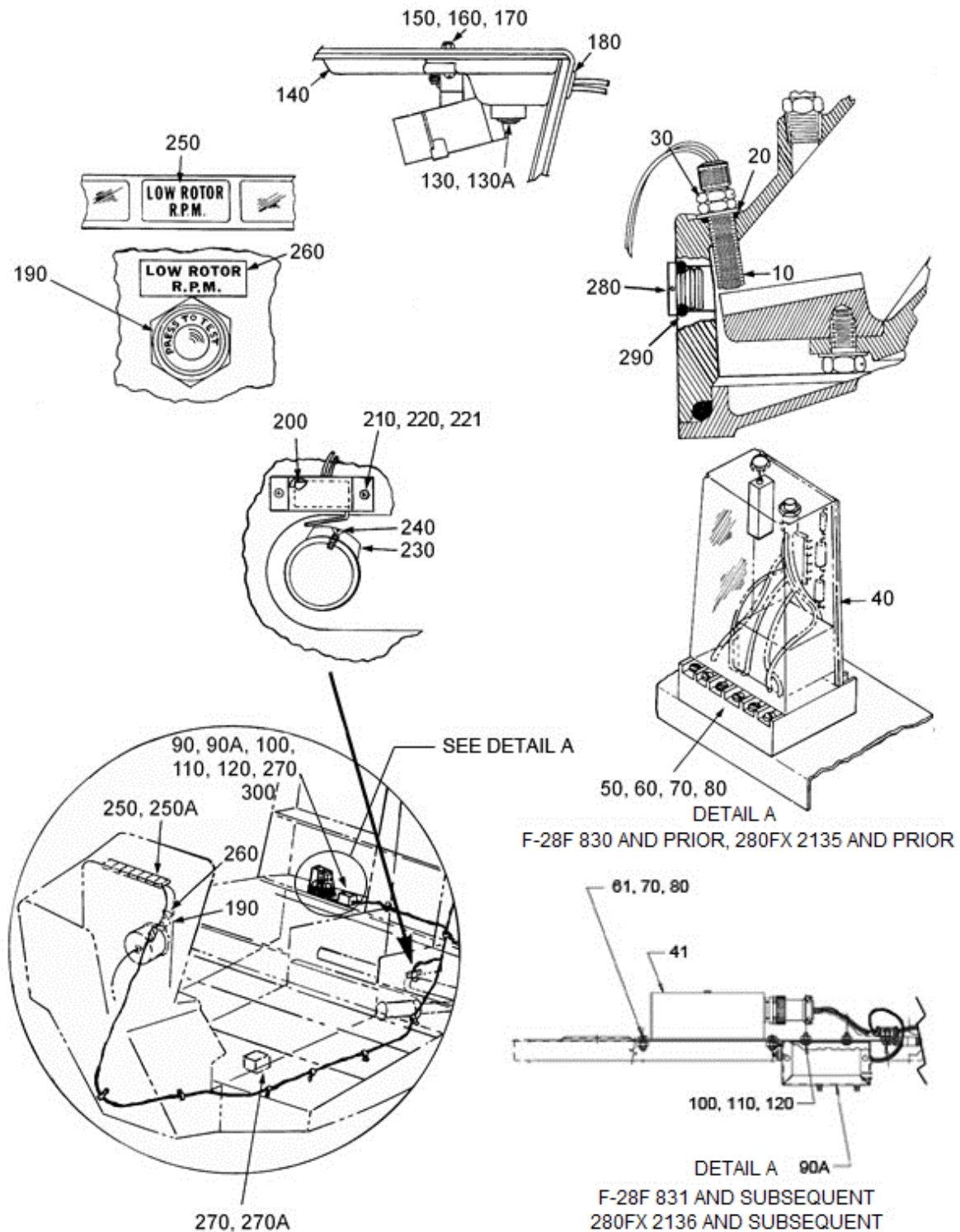


FIGURE 6-11. ANNUNCIATOR SYSTEMS INSTALLATION

ENSTROM F-28/280 SERIES ILLUSTRATED PARTS CATALOG

FIGURE 6-11. ANNUNCIATOR SYSTEMS INSTALLATION

| ITEM NUMBER | PART NUMBER | DESCRIPTION | QTY PER ASSY | MODELS AFFECTED | | | | | | |
|-------------|---------------|---|--------------|-----------------|-----|-------|------|-------|------|-------|
| | | | | F-28A | 280 | F-28C | 280C | F-28F | 280F | 280FX |
| 10 | 4192509-901 | . Magnetic Pickup | 1 | | | | | X | | X |
| - | 1-480319-0 | . . Housing: Cap, 2P Pin Contact | 1 | | | | | X | | X |
| - | 60618-1 | . . Contact: Pin, 30-22 AWG (0.058") | 2 | | | | | X | | X |
| - | 726621 | . Magnetic Pickup | 1 | | | | | X | | X |
| 20 | MS28778-4 | . O-ring | 1 | | | | | X | | X |
| 30 | AN316-6R | . Nut, Jam, 3/8-24 UNF-3B RH | 1 | | | | | X | | X |
| 40 | 726607 | . Amplifier | 1 | | | | | X | | X |
| 41 | ECD4079-1 | . Hi-Low Rotor Switch | 1 | | | | | X | | X |
| 50 | 58390 | . Socket, In-Line, Speed Module | 1 | | | | | X | | X |
| 60 | AN515-8R14 | . Screw | 2 | | | | | X | | X |
| 61 | MS35206-244 | . Screw | 4 | | | | | X | | X |
| 70** | NAS1149FN832P | . Washer (0.032) | 6 | | | | | X | | X |
| 80** | MS21083N08 | . Nut | 2 | | | | | X | | X |
| 90 | ECD073-1 | . Tone Generator Assembly (12 Volt) | 1 | | | | | X | | X |
| 90A | ECD073-3 | . Tone Generator Assembly (24 Volt) | 1 | | | | | X | | X |
| 100 | MS35206-228 | . Screw | 2 | | | | | X | | X |
| 110 | NAS1149FN632P | . Washer | 4 | | | | | X | | X |
| 120 | MS21044N06 | . Nut | 2 | | | | | X | | X |
| 130 | SC628ANPR | . Horn: Pulse, Loud Fast Tone | 1 | | | | | X | | X |
| 130 | SC616NJ | . Horn: Pulse, Loud Slow Tone (Superseded by SC628ANPR) | 1 | | | | | X | | X |
| 140* | 28-116002-13 | . Cover | 1 | | | | | X | | X |
| 140* | 28-116002-15 | . Cover (24V system) | 1 | | | | | X | | X |
| 150* | AN525-832R14 | . Screw | 2 | | | | | X | | X |

ENSTROM F-28/280 SERIES ILLUSTRATED PARTS CATALOG

FIGURE 6-11. ANNUNCIATOR SYSTEMS INSTALLATION

| ITEM NUMBER | PART NUMBER | DESCRIPTION | QTY PER ASSY | MODELS AFFECTED | | | | | | |
|-------------|-------------------|--|--------------|-----------------|-----|-------|------|-------|------|-------|
| | | | | F-28A | 280 | F-28C | 280C | F-28F | 280F | 280FX |
| 160 | MS21083N08 | . Nut | 5 | | | | | X | | X |
| 170 | AN960-8 | . Washer | 4 | | | | | X | | X |
| 180 | AN931-4-7 | . Grommet | 1 | | | | | X | | X |
| 190 | 803-1710-0331-504 | . Indicator Light | 1 | | | | | X | | |
| 200 | 28-132022-2 | . Micro-Switch Assembly | 1 | | | | | X | | X |
| 200Δ | 28-132022-3 | . Micro-Switch Assembly | 1 | | | | | X | | X |
| 210 | AN526-832R10 | . Screw | 2 | | | | | X | | X |
| 210Δ | AN526-832R7 | . Screw | 2 | | | | | X | | X |
| 220 | AN960-8 | . Washer | 4 | | | | | X | | X |
| 220Δ | NAS1149DN832H | . Washer | 4 | | | | | X | | X |
| 221 | AN365-832A | . Locknut | 2 | | | | | X | | X |
| 221Δ | MS21044N08 | . Nut | 2 | | | | | X | | X |
| -Δ | 4199072-11 | . Actuator Contactor Positioner | 1 | | | | | X | | X |
| - | CR3213-5-04 | . . Rivet | 2 | | | | | X | | X |
| - | MS16998-10L | . . Cap Screw | 1 | | | | | X | | X |
| - | NAS620-6L | . . Washer | 1 | | | | | X | | X |
| 230Δ | 28-16650-11 | . Actuator Contactor | 1 | | | | | X | | X |
| 230† | 28-19048-13 | . Block (Alternate) | 1 | | | | | X | | X |
| 230 | 28-19048-11 | . Block | 1 | | | | | X | | X |
| 240 | AN509-832R4 | . Screw | 2 | | | | | X | | X |
| 250 | 28-19047-11 | . "Low Rotor RPM" Filter | 1 | | | | | | | X |
| 250 | 28-19047-1 | . "Low Rotor RPM" Filter (Superseded by 28-19047-1) | 1 | | | | | | | X |
| 260 | 28-18143-11 | . Placard (Low Rotor RPM) | 1 | | | | | X | | |
| 270 | R10-E6-Y2-V185 | . Relay, Socket, 12VDC | 2 | | | | | X | | X |
| 270 | R10-E6-X2-V700 | . Relay 24 Volt | 2 | | | | | X | | X |
| - | 28-19041-111 | . Relay Box Assembly | 1 | | | | | X | | X |
| - | 28-19131-1 | . . Mini Box Assembly | 1 | | | | | X | | X |

ENSTROM F-28/280 SERIES ILLUSTRATED PARTS CATALOG

FIGURE 6-11. ANNUNCIATOR SYSTEMS INSTALLATION

| ITEM NUMBER | PART NUMBER | DESCRIPTION | QTY PER ASSY | MODELS AFFECTED | | | | | | |
|-------------|---------------|-------------------------|--------------|-----------------|-----|-------|------|-------|------|-------|
| | | | | F-28A | 280 | F-28C | 280C | F-28F | 280F | 280FX |
| - | MS35206-230 | . . Screw | 2 | | | | | X | | X |
| - | NAS1149FN616P | . . Washer | 4 | | | | | X | | X |
| - | MS21083N06 | . . Nut | 2 | | | | | X | | X |
| - | NS35649-262 | . . Nut | 2 | | | | | X | | X |
| - | MS35489-4 | . . Grommet | 1 | | | | | X | | X |
| - | NAS1149FN616P | . Washer | 2 | | | | | X | | X |
| - | AN365-632A | . Nut | 2 | | | | | X | | X |
| 280 | 28-14368-1 | . Grip | 1 | | | | | X | | X |
| 290 | MS28775-116 | . O-Ring | 1 | | | | | X | | X |
| 300 | CBLS18C | . Circuit Board Support | 1 | | | | | X | | X |

* Remount Map Light, if installed, when replacing these parts.

** Quantity of four (4) when used with ECD4079-1.

† Required if three collective up switches are installed.

Δ F-28F S/N 832 – subsequent and 280FX S/N 2147 – subsequent.

ENSTROM F-28/280 SERIES ILLUSTRATED PARTS CATALOG

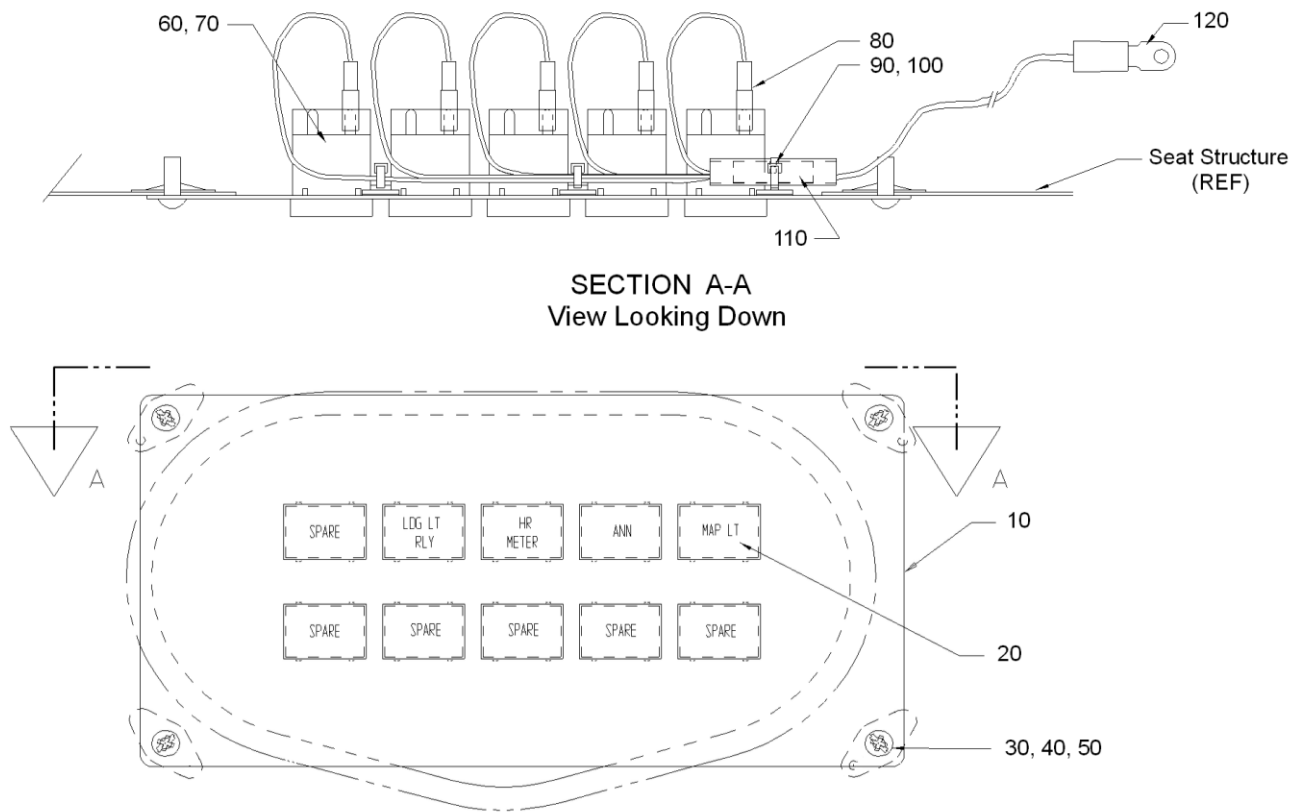


FIGURE 6-12. FUSE PANEL (F-28F, 280FX)

ENSTROM F-28/280 SERIES ILLUSTRATED PARTS CATALOG

FIGURE 6-12. FUSE PANEL (F-28F, 280FX)

| ITEM NUMBER | PART NUMBER | DESCRIPTION | QTY PER ASSY | MODELS AFFECTED | | | | | | |
|-------------|--------------|---|--------------|-----------------|-----|-------|------|-------|------|-------|
| | | | | F-28A | 280 | F-28C | 280C | F-28F | 280F | 280FX |
| - | 28-19073 | Fuse Panel Install | REF | | | | | X | | X |
| 10 | 28-18167-19 | . Panel (Fuse 4 Holes) | A/R | | | | | X | | X |
| 10 | 28-18167-11 | . Panel (Fuse 5 Holes) | A/R | | | | | X | | X |
| 10 | 28-18167-13 | . Panel (Fuse 6 Holes) | A/R | | | | | X | | X |
| 10 | 28-18167-15 | . Panel (Fuse 7 Holes) | A/R | | | | | X | | X |
| 10 | 28-18167-17 | . Panel (Fuse 8 Holes) | A/R | | | | | X | | X |
| 10 | 28-18167-21 | . Panel (Fuse 9 Holes) | A/R | | | | | X | | X |
| 10 | 28-18167-23 | . Panel (Fuse 10 Holes) | A/R | | | | | X | | X |
| 10 | 28-18167-25 | . Panel (Fuse 5 Holes Plus Hour Meter) | A/R | | | | | X | | X |
| 10 | 28-18167-27 | . Panel (Fuse 10 Holes Plus Hour Meter) | A/R | | | | | X | | X |
| 20 | 4119835-33 | . Avionics Placards | 1 | | | | | X | | X |
| 30 | 6X3/8 | . Screw | 4 | | | | | X | | X |
| 40 | A06191-8Z-1D | . Nut Plate | 4 | | | | | X | | X |
| 40 | C6191-8Z-1 | . Nut, Tinnerman (Superseded by 12LHTA17M-62) | 4 | | | | | X | | X |
| 50 | NAS1097AD3-3 | . Rivet | 4 | | | | | X | | X |
| 50 | MS20426AD3-3 | . Rivet (Superseded by NAS1097AD3-3) | 4 | | | | | X | | X |
| 60† | 286377 | . Holder, Fuse, 2 Ag Flip-Top | A/R | | | | | X | | X |
| 70*† | 229001P | . Fuse (Slo-Blo, 1A 2AG Cartridge) | A/R | | | | | X | | X |
| 80† | AA-2204 | . Terminal, Q/D, 0.110" (22-18) FM | A/R | | | | | X | | X |
| 90 | ABM1M-A-C | . Mount: Tie, 0.500" Sq. Cable | 3 | | | | | X | | X |
| 100 | SST1M-MP | . Tie, Cable, 4" (0.100") Nylon | 3 | | | | | X | | X |
| 110 | CS-N-346 | . Splice | 1 | | | | | X | | X |
| 120 | C-836-06 | . Terminal, Ring, #5-6, 12-10 AWG | 1 | | | | | X | | X |
| 120 | AA8131 | . Terminal (Superseded by C-836-06) | 1 | | | | | X | | X |

* Amperage capacity determined by circuit requirements.

† Quantities vary depending on the number of fuses in the selected panel.

ENSTROM F-28/280 SERIES ILLUSTRATED PARTS CATALOG

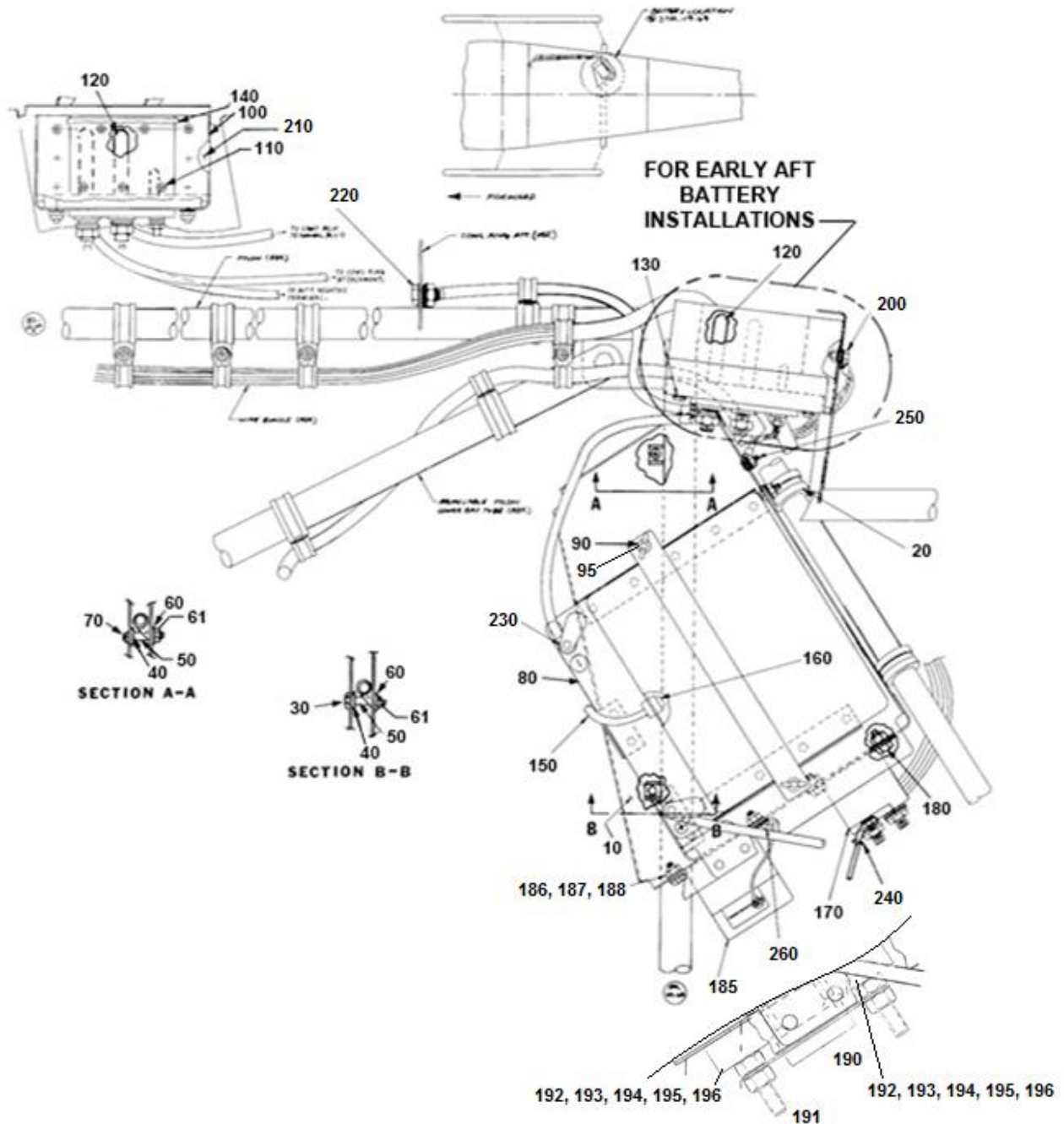


FIGURE 6-13. 24 VOLT BATTERY INSTALLATION (ALL MODELS)

ENSTROM F-28/280 SERIES ILLUSTRATED PARTS CATALOG

FIGURE 6-13. 24 VOLT BATTERY INSTALLATION (ALL MODELS)

| ITEM NUMBER | PART NUMBER | DESCRIPTION | QTY PER ASSY | MODELS AFFECTED | | | | | | |
|-------------|---------------|--|--------------|-----------------|-----|-------|------|-------|------|-------|
| | | | | F-28A | 280 | F-28C | 280C | F-28F | 280F | 280FX |
| 10 | 28-22561-3 | . Battery Retainer Assembly (Aft) | 1 | X | X | X | X | X | X | X |
| 20 | MS21919WDG12 | . Clamp | 2 | X | X | X | X | X | X | X |
| 20 | MS21919-DG12 | . Clamp (Superseded by MS21919WDG12) | 2 | X | X | X | X | X | X | X |
| - | AN526-1032R8 | . Screw | 2 | X | X | X | X | X | X | X |
| - | NAS1149F0363P | . Washer (0.063") | 2 | X | X | X | X | X | X | X |
| - | AN960-10 | . Washer (Superseded by NAS1149F0363P) | 2 | X | X | X | X | X | X | X |
| - | MS21083N3 | . Nut | 2 | X | X | X | X | X | X | X |
| - | AN364-1032A | . Nut (Superseded by MS21083N3) | 2 | X | X | X | X | X | X | X |
| 30 | AN3-14A | . Bolt | 1 | X | X | X | X | X | X | X |
| 40 | NAS1149F0332P | . Washer | 2 | X | X | X | X | X | X | X |
| 40 | AN960-10L | . Washer (Superseded by NAS1149F0332P) | 2 | X | X | X | X | X | X | X |
| 50 | 28-22562-17 | . Spacer | 2 | X | X | X | X | X | X | X |
| 60 | NAS1149F0332P | . Washer | 2 | X | X | X | X | X | X | X |
| 60 | AN960-10L | . Washer (Superseded by NAS1149F0332P) | 2 | X | X | X | X | X | X | X |
| 61 | AN365-1032A | . Nut | 2 | X | X | X | X | X | X | X |
| 70 | AN525-10R24 | . Screw | 1 | X | X | X | X | X | X | X |
| 80 | RG24-11M | . Battery | 1 | X | X | X | X | X | X | X |
| 80 | G-243 | . Battery 24V (Alternate) | 1 | X | X | X | X | X | X | X |
| 90 | 28-19106-5 | . Rod Assembly | 2 | X | X | X | X | X | X | X |
| 95 | AN970-3 | . Washer | 2 | X | X | X | X | X | X | X |
| 100 | 28-22563-5 | . Bracket Assembly | 1 | X | X | X | X | X | X | X |
| 110 | CR3213-4-2 | . Rivet | 6 | X | X | X | X | X | X | X |
| 120 | AN2552-3A | . Receptacle | 1 | X | X | X | X | X | X | X |
| 130 | AN507-1032R14 | . Screw | 2 | X | X | X | X | X | X | X |
| - | NAS1149F0332P | . Washer | 2 | X | X | X | X | X | X | X |
| - | AN960-10L | . Washer (Superseded by NAS1149F0332P) | 2 | X | X | X | X | X | X | X |

ENSTROM F-28/280 SERIES ILLUSTRATED PARTS CATALOG

FIGURE 6-13. 24 VOLT BATTERY INSTALLATION (ALL MODELS)

| ITEM NUMBER | PART NUMBER | DESCRIPTION | QTY PER ASSY | MODELS AFFECTED | | | | | | |
|-------------|----------------------|--|--------------|-----------------|-----|-------|------|-------|------|-------|
| | | | | F-28A | 280 | F-28C | 280C | F-28F | 280F | 280FX |
| - | MS21083N3 | . Nut | 2 | X | X | X | X | X | X | X |
| - | AN364-1032A | . Nut (Superseded by MS21083N3) | 2 | X | X | X | X | X | X | X |
| 140 | 28-19055-11 | . Placard (Ext. Power 28 Volt) | 1 | X | X | X | X | X | X | X |
| 150 | 1/4" O.D. X 24" Long | . Vinyl Plastic Tube | 1 | X | X | X | X | X | X | X |
| 160 | 1/8" | . Nylon Straight Connector | 1 | X | X | X | X | X | X | X |
| 170 | SAZ-4401-1 | . Starter Relay 24V | 1 | X | X | X | X | X | X | X |
| 180 | AN4-3A | . Bolt | 2 | | | | | X | | X |
| - | NAS1149F0432P | . Washer | 2 | | | | | X | | X |
| - | AN960-416L | . Washer (Superseded by NAS1149F0432P) | 2 | | | | | X | | X |
| - | AN364-428A | . Nut | 2 | | | | | X | | X |
| 185 | 7235-1-100 | . Breaker, Circuit, 100A Thermal (Superseded by ANL80) | 1 | | | | | X | | X |
| 186 | AN3-4A | . Bolt | 1 | | | | | X | | X |
| 187 | NAS1149F0332P | . Washer | 2 | | | | | X | | X |
| 187 | AN960-10L | . Washer (Superseded by NAS1149F0332P) | 2 | | | | | X | | X |
| 188 | MS21083N3 | . Nut | 1 | | | | | X | | X |
| 188 | AN364-1032A | . Nut (Superseded by MS21083N3) | 1 | | | | | X | | X |
| 190 | ANL80 | . Limiter, Current | 1 | | | | | X | | X |
| 191* | 4164 | . Block: Fuse | 1 | | | | | X | | X |
| 192* | MS24694-S58 | . Screw | 2 | | | | | X | | X |
| 192* | AN509-10R16 | . Screw (Superseded by MS24694-S58) | 2 | | | | | X | | X |
| 193* | NAS1149F0363P | . Washer (0.063") | 2 | | | | | X | | X |
| 193* | AN960-10 | . Washer (Superseded by NAS1149F0363P) | 2 | | | | | X | | X |
| 194* | NAS1149F0332P | . Washer | 2 | | | | | X | | X |
| 194* | AN960-10L | . Washer (Superseded by NAS1149F0332P) | 2 | | | | | X | | X |
| 195* | MS21083N3 | . Nut | 2 | | | | | X | | X |

ENSTROM F-28/280 SERIES ILLUSTRATED PARTS CATALOG

FIGURE 6-13. 24 VOLT BATTERY INSTALLATION (ALL MODELS)

| ITEM NUMBER | PART NUMBER | DESCRIPTION | QTY PER ASSY | MODELS AFFECTED | | | | | | |
|-------------|---------------|--|--------------|-----------------|-----|-------|------|-------|------|-------|
| | | | | F-28A | 280 | F-28C | 280C | F-28F | 280F | 280FX |
| 195* | AN364-1032A | . Nut (Superseded by MS21083N3) | 2 | | | | | X | | X |
| 196* | AN960-C516L | . Washer | 2 | | | | | X | | X |
| 200 | 28-01011-3 | . Ground Strap Assembly | 1 | | | | | X | | X |
| - | AN3-6A | . Bolt | 1 | | | | | X | | X |
| - | AN960-10 | . Washer | 2 | | | | | X | | X |
| - | AN935-10 | . Washer (#10) | 1 | | | | | X | | X |
| - | AN345-10 | . Nut | 1 | | | | | X | | X |
| 210 | 28-10-60-11 | . Spacer | 1 | | | | | X | | X |
| 220 | AN5-4A | . Bolt | 1 | | | | | X | | X |
| - | AN936A516 | . Washer | 1 | | | | | X | | X |
| - | NAS1149F0532P | . Washer | 2 | | | | | X | | X |
| - | AN960-516L | . Washer (Superseded by NAS1149F0532P) | 2 | | | | | X | | X |
| - | AN341-516 | . Nut | 1 | | | | | X | | X |
| 230 | MS25171-3S | . Nipple | 5 | | | | | X | | X |
| 240 | MS25171-1S | . Nipple | 1 | | | | | X | | X |
| 250 | AN526-832R8 | . Screw | 1 | | | | | X | | X |
| - | MS35338-42 | . Washer (#8 Light) | 1 | | | | | X | | X |
| - | AN935-8 | . Washer (Superseded By MS35338-42) | 1 | | | | | X | | X |
| - | NAS1149FN832P | . Washer (0.032) | 1 | | | | | X | | X |
| - | AN960-8 | . Washer (Superseded by NAS1149FN832P) | 1 | | | | | X | | X |
| - | MS35649-282 | . Nut | 1 | | | | | X | | X |
| - | AN340-8 | . Nut (Superseded By MS35649-282) | 1 | | | | | X | | X |
| 260 | AN3-4A | . Bolt (Use with 7235-1-100) | 2 | | | | | X | | X |
| - | NAS1149F0332P | . Washer (Use with 7235-1-100) | 2 | | | | | X | | X |
| - | AN960-10L | . Washer (Superseded by NAS1149F0332P) | 2 | | | | | X | | X |
| - | MS21083N3 | . Nut (Use with 7235-1-100) | 2 | | | | | X | | X |

ENSTROM F-28/280 SERIES ILLUSTRATED PARTS CATALOG

FIGURE 6-13. 24 VOLT BATTERY INSTALLATION (ALL MODELS)

| ITEM NUMBER | PART NUMBER | DESCRIPTION | QTY PER ASSY | MODELS AFFECTED | | | | | | |
|-------------|-------------|---------------------------------|--------------|-----------------|-----|-------|------|-------|------|-------|
| | | | | F-28A | 280 | F-28C | 280C | F-28F | 280F | 280FX |
| - | AN364-1032A | . Nut (Superseded by MS21083N3) | 2 | | | | | X | | X |

* Effectivity F-28F S/N 815 – subsequent and 280FX S/N 2089 – subsequent.

ENSTROM F-28/280 SERIES ILLUSTRATED PARTS CATALOG

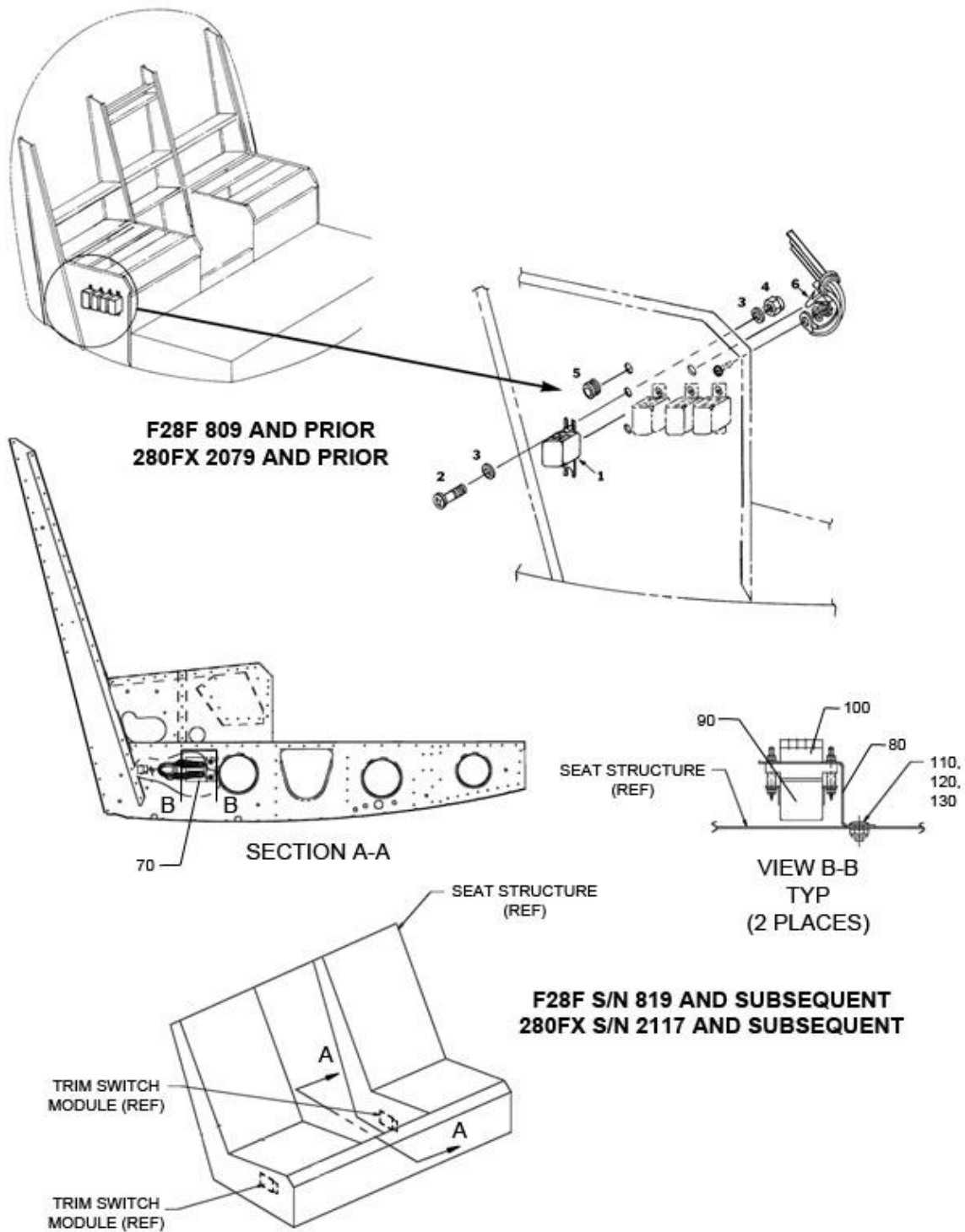


FIGURE 6-14. TRIM RELAY INSTALLATION 24 VOLT (F-28F, 280FX)

ENSTROM F-28/280 SERIES ILLUSTRATED PARTS CATALOG

FIGURE 6-14. TRIM RELAY INSTALLATION 24 VOLT (F-28F, 280FX)

| ITEM NUMBER | PART NUMBER | DESCRIPTION | QTY PER ASSY | MODELS AFFECTED | | | | | | |
|-------------|----------------|--|--------------|-----------------|-----|-------|------|-------|------|-------|
| | | | | F-28A | 280 | F-28C | 280C | F-28F | 280F | 280FX |
| —* | 28-19040-5 | Wire Install. – Motor, Cyclic Trim | REF | | | | | X | | X |
| 10* | KUP-14D55-24 | . Relay: Trim, 24V 10A 3PDT | 4 | | | | | X | | X |
| 10* | KUP-14D55-472 | . Relay (Superseded by KUP-14D55-24) | 4 | | | | | X | | X |
| 20* | AN526-632R5 | . Screw | 8 | | | | | X | | X |
| 30* | AN960-6L | . Washer | 16 | | | | | X | | X |
| 40* | MS21083N06 | . Nut | 8 | | | | | X | | X |
| 40* | AN364-632A | . Nut (Superseded by MS21083N06) | 8 | | | | | X | | X |
| 50* | AN931-6-10 | . Grommet (0.625) | 1 | | | | | X | | X |
| 60* | PWMS-H25-C | . Mount, Push, Cable Tie | 1 | | | | | X | | X |
| —* | B-00375-4 | . Sensor Low Voltage 12 Volt | 1 | | | | | X | | X |
| —* | B-00378-5 | . Sensor, Low Voltage, 28 Volt | 1 | | | | | X | | X |
| — | 28-16030-3 | Trim Switch Module Installation (28V) | REF | | | | | X | | X |
| — | 28-16030-1 | Trim Switch Module Installation (14V) | REF | | | | | X | | X |
| 70 | 4199059-3 | . Trim Switch Module (28V) | 2 | | | | | X | | X |
| 70 | 28-19025-1 | . Trim Switch Module (14V) | | | | | | X | | X |
| 70**† | 4199059-1 | . Trim Switch Module (12V & 24V) (Superseded by 4199059-3 or 28-19025-1) | 2 | | | | | X | | X |
| 80 | 4196609-11 | . . Bracket | 1 | | | | | X | | X |
| 90 | J-D4N-300M | . . Relay 28VDC Coil (Use with 4199059-3) | 2 | | | | | X | | X |
| 90 | M83536/10-024M | . . Relay (28V) (Superseded by J-D4N-300M) | 2 | | | | | X | | X |
| 90 | M83536/10-015M | . . Relay (14V) (Use with 28-19025-1) | 2 | | | | | X | | X |
| 100 | M12883/41-14 | . . Socket | 2 | | | | | X | | X |
| 110 | AN526-1032R6 | . Screw | 4 | | | | | X | | X |
| 120 | AN960-10L | . Washer | 4 | | | | | X | | X |
| 130 | AN364-1032A | . Nut | 4 | | | | | X | | X |

ENSTROM F-28/280 SERIES ILLUSTRATED PARTS CATALOG

- * Obsolete. Upgrade to current installation using 28-01062-111 Trim Relay Conversion Kit (28V)
- ** Installed on F28F S/N 810 through 818 and 280FX S/N 2080 through 2116.
- † Obsolete. Upgrade to current 28V installation using 28-01062-111 Trim Relay Conversion Kit (28V). For F28F S/N 815 and 280FX S/N 2092, upgrade to current 14V installation using 28-01062-113 Trim Relay Conversion Kit (14V).

ENSTROM F-28/280 SERIES ILLUSTRATED PARTS CATALOG

SECTION 7

STRUCTURES

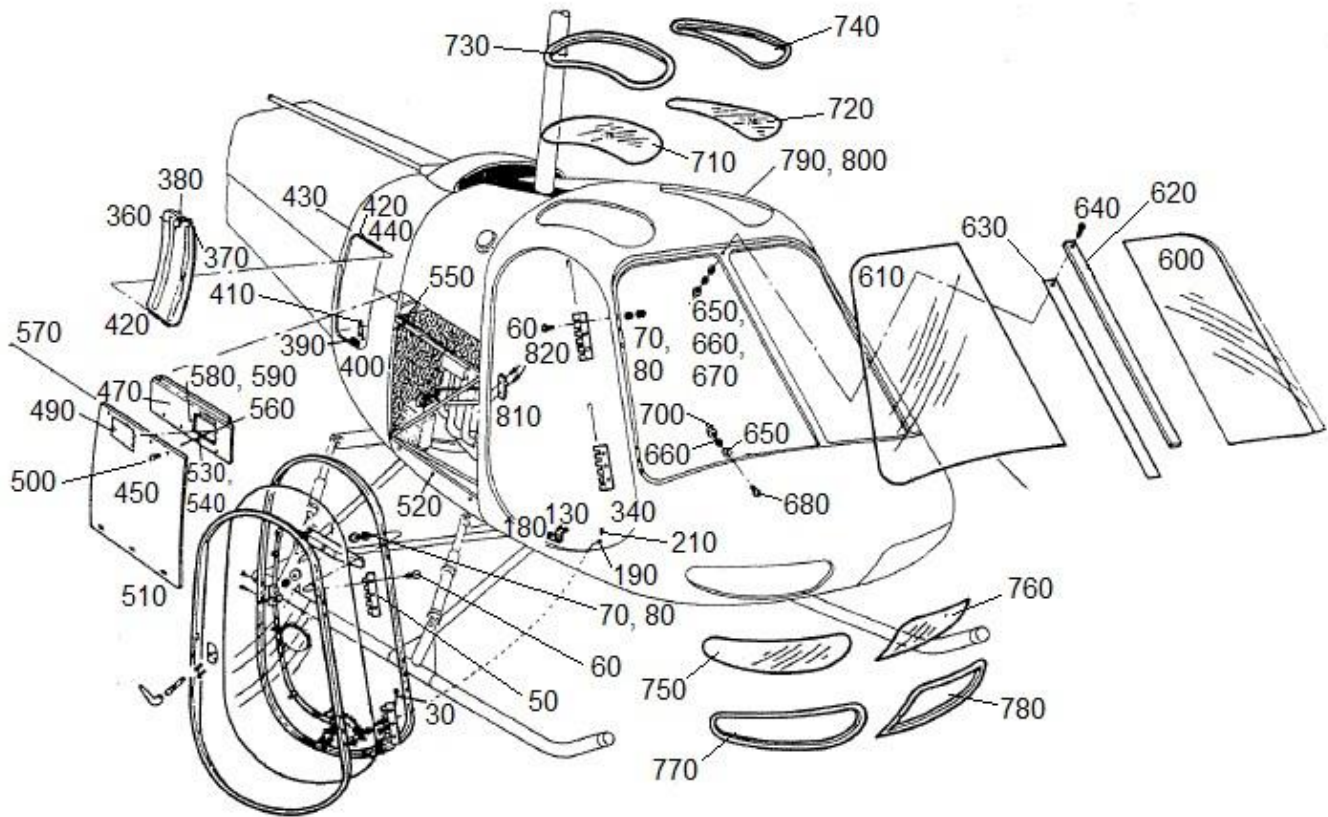
TABLE OF CONTENTS

| | | |
|----------------------|--|-------|
| | Cover Page | 7-1 |
| | Table of Contents | 7-1 |
| 7-1 | Windows, Doors, and Compartment Enclosures (F-28A, F-28C, F-28F) | 7-3 |
| 7-2 | Window Installation (F-28A, F-28C, F-28F) | 7-13 |
| 7-3 | Sliding Window Vent Installation (F-28F) | 7-15 |
| 7-4 | Door Assembly and Installation (F-28F S/N 745 & Sub) | 7-19 |
| 7-5 | Windows, Doors, and Compartment Enclosure (280, 280C, 280F, 280FX) | 7-27 |
| 7-6 | 280FX Cabin Doors Assembly/Installation | 7-37 |
| 7-7 | 280FX Cabin Closeout Installation | 7-43 |
| 7-8 | Cowling (F-28A, F-28C) | 7-45 |
| 7-9 | Cowling (280, 280C) | 7-49 |
| 7-10 | Cowling (F-28F, 280FX) | 7-53 |
| 7-11 | Engine Compartment Enclosures | 7-61 |
| 7-12 | Three-Piece Airscoop (280FX) | 7-65 |
| 7-13 | Cabin Installation and Pylon and Tailcone Assembly | 7-67 |
| 7-14 | Tailcone Bulkhead and Skin Enclosures | 7-71 |
| 7-15 | Stabilizer and Tailcone Extension (F-28A, F-28C, F-28F) | 7-75 |
| 7-16 | Stabilizer and Tailcone Extension (280, 280C, 280F) | 7-79 |
| 7-17 | Stabilizer and Tailcone Extension (F-28F, 280FX) | 7-83 |
| 7-18 | Tail Rotor Drive Shaft Cover | 7-87 |
| 7-19 | Pylon Assembly to Landing Gear | 7-91 |
| 7-20 | Landing Gear Assembly | 7-93 |
| 7-21 | Oleo Strut Assembly | 7-101 |
| 7-22 | Landing Gear Fairings | 7-105 |

ENSTROM F-28/280 SERIES ILLUSTRATED PARTS CATALOG

INTENTIONALLY LEFT BLANK

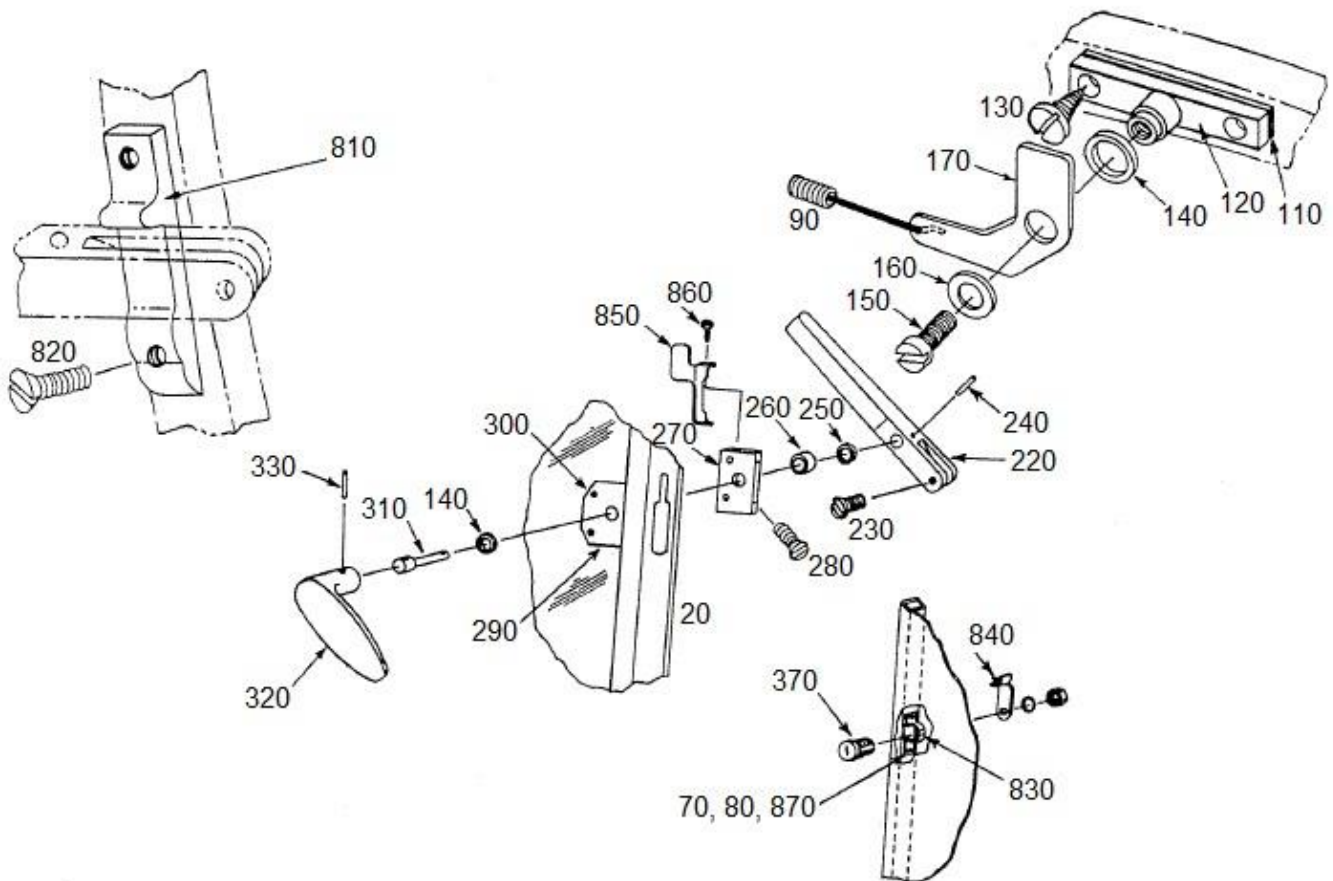
ENSTROM F-28/280 SERIES ILLUSTRATED PARTS CATALOG



Sheet 1 of 3

FIGURE 7-1. WINDOWS, DOORS, AND COMPARTMENT ENCLOSURES (F-28A, F-28C, F-28F)

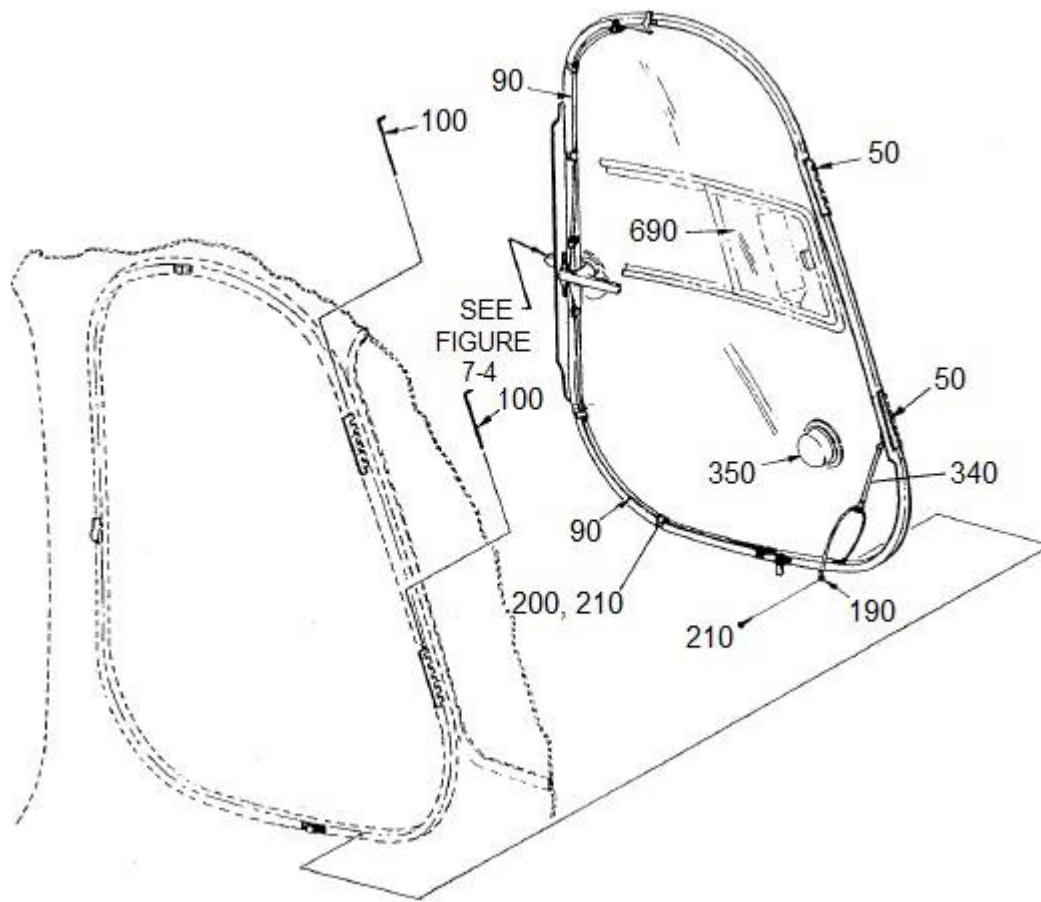
ENSTROM F-28/280 SERIES ILLUSTRATED PARTS CATALOG



Sheet 2 of 3

FIGURE 7-1. WINDOWS, DOORS, AND COMPARTMENT ENCLOSURES (F-28A, F-28C, F-28F)

ENSTROM F-28/280 SERIES ILLUSTRATED PARTS CATALOG



Sheet 3 of 3

FIGURE 7-1. WINDOWS, DOORS, AND COMPARTMENT ENCLOSURES (F-28A, F-28C, F-28F)

ENSTROM F-28/280 SERIES ILLUSTRATED PARTS CATALOG

FIGURE 7-1. WINDOWS, DOORS, AND COMPARTMENT ENCLOSURES (F-28A, F-28C, F-28F)

| ITEM NUMBER | PART NUMBER | DESCRIPTION | QTY PER ASSY | MODELS AFFECTED | | | | | | |
|-------------|---------------|--------------------------------------|--------------|-----------------|-----|-------|------|-------|------|-------|
| | | | | F-28A | 280 | F-28C | 280C | F-28F | 280F | 280FX |
| - | 28-11300 | Cabin Installation | REF | X | | X | | X | | |
| -10 | 28-11310-1 | . Door Assembly, R/H | 1 | X | | X | | X | | |
| 20 | 28-11310-2 | . Door Assembly, L/H | 1 | X | | X | | X | | |
| 30 | 28-11310-7 | . Door Frame, R/H | 1 | X | | X | | X | | |
| -40 | 28-11310-8 | . Door Frame, L/H | 1 | X | | X | | X | | |
| 50 | 28-11310-11 | . Door Hinge | 2 | X | | X | | X | | |
| 60 | MS24694-S15 | . Screw | 12 | X | | X | | X | | |
| 60 | AN509-8R18 | . Screw (Superseded by MS24694-S15) | 12 | X | | X | | X | | |
| 70 | NAS1149FN816P | . Washer | 12 | X | | X | | X | | |
| 70 | AN960-8L | . Washer (Alternate) | 12 | X | | X | | X | | |
| 80 | MS20365-832 | . Nut | 12 | X | | X | | X | | |
| 80 | AN365-832 | . Nut (Alternate) | 12 | X | | X | | X | | |
| - | 28-11418-1 | . Door Latch Assembly, L/H | 1 | X | | X | | X | | |
| - | 28-11418-2 | . Door Latch Assembly, R/H | 1 | X | | X | | X | | |
| 90 | 300-071-CS | . . Cable | 2 | X | | X | | X | | |
| 100 | 28-11310-905 | . . Hinge Pin | 4 | X | | X | | X | | |
| 110 | 28-11436 | . . Shims | A/R | X | | X | | X | | |
| 120 | 28-11417-1 | . . Bracket | 2 | X | | X | | X | | |
| - | AN530-8-7 | . . Screw | 4 | X | | X | | X | | |
| 130 | MS51862-13 | . . Screw | 4 | X | | X | | X | | |
| 130 | AN531-6R6 | . . Screw (Superseded by MS51862-13) | 4 | X | | X | | X | | |
| 140 | NAS1149C0563R | . . Washer | 2 | X | | X | | X | | |
| 140 | AN960-C516 | . . Washer (Alternate) | 2 | X | | X | | X | | |
| 150 | NK500-8-10 | . . Screw | 2 | X | | X | | X | | |
| 160 | NAS1149FN832P | . . Washer | 2 | X | | X | | X | | |
| 160 | AN960-8 | . . Washer (Alternate) | 2 | X | | X | | X | | |
| 170 | 28-11412-3 | . . Door Latch, L/H | 1 | X | | X | | X | | |
| -175 | 28-11412-4 | . . Door Latch, R/H | 1 | X | | X | | X | | |

ENSTROM F-28/280 SERIES ILLUSTRATED PARTS CATALOG

FIGURE 7-1. WINDOWS, DOORS, AND COMPARTMENT ENCLOSURES (F-28A, F-28C, F-28F)

| ITEM NUMBER | PART NUMBER | DESCRIPTION | QTY PER ASSY | MODELS AFFECTED | | | | | | |
|-------------|-----------------|---------------------------------------|--------------|-----------------|-----|-------|------|-------|------|-------|
| | | | | F-28A | 280 | F-28C | 280C | F-28F | 280F | 280FX |
| 180 | 28-11435-1 | .. Plate | 2 | X | | X | | X | | |
| 190 | 52305A15-6 | .. Cable | 1 | X | | X | | X | | |
| 200 | M21919-DG3 | .. Clamp | 8 | X | | X | | X | | |
| 210 | AN530-6-6 | .. Screw | 8 | X | | X | | X | | |
| 220 | 28-11427-1 | .. Latch Arm | 1 | X | | X | | X | | |
| 230 | AN526-8-8 | .. Screw | 1 | X | | X | | X | | |
| 240 | 79-028-125-0687 | .. Roll Pin | 1 | X | | X | | X | | |
| 250 | ECD050-11 | .. Washer | 1 | X | | X | | X | | |
| 250 | 1/4 Harper | .. Washer (Alternate) | 1 | X | | X | | X | | |
| 260 | 28-11376-1 | .. Spacer | 2 | X | | X | | X | | |
| 270 | 28-11373-1 | .. Bracket | 1 | X | | X | | X | | |
| - | AN507C-1032-12 | .. Screw | 2 | X | | X | | X | | |
| - | 28-11371-1 | .. Lock Plate | 1 | X | | X | | X | | |
| 280 | AN507C-832-12 | .. Screw | 2 | X | | X | | X | | |
| 290 | 28-11372-1 | .. Latch Plate | 1 | X | | X | | X | | |
| 300 | AN507C-632-8 | .. Screw | 2 | X | | X | | X | | |
| - | AN960-C416 | .. Washer | 1 | X | | X | | X | | |
| 310 | 28-11428-1 | .. Latch Rod | 1 | X | | X | | X | | |
| 320 | AR134-D | .. Handle | 1 | X | | X | | X | | |
| 330 | 72-028-125-0500 | .. Roll Pin | 1 | X | | X | | X | | |
| 340 | 28-11407-1 | .. Bungee Cord | 1 | X | | X | | X | | |
| 350 | CA-3251 | .. Snap Vent | 2 | X | | X | | X | | |
| 360 | 28-11408-2 | .. Baggage Door Assembly | 1 | X | | X | | | | |
| 370 | 15753XC2L | .. Lock Assembly | 1 | X | | X | | | | |
| 380 | 28-11437-1 | .. Striker Arm | 1 | X | | X | | | | |
| 390 | 28-11438-1 | .. Catch Plate | 1 | X | | X | | | | |
| 400 | 28-11408-10 | .. Spacer | A/R | X | | X | | | | |
| 410 | MS27039-0807 | .. Screw | 2 | X | | X | | | | |
| 410 | AN525-832R7 | .. Screw (Superseded by MS27039-0807) | 2 | X | | X | | | | |

ENSTROM F-28/280 SERIES ILLUSTRATED PARTS CATALOG

FIGURE 7-1. WINDOWS, DOORS, AND COMPARTMENT ENCLOSURES (F-28A, F-28C, F-28F)

| ITEM NUMBER | PART NUMBER | DESCRIPTION | QTY PER ASSY | MODELS AFFECTED | | | | | | |
|-------------|---------------|-------------------------------|--------------|-----------------|-----|-------|------|-------|------|-------|
| | | | | F-28A | 280 | F-28C | 280C | F-28F | 280F | 280FX |
| - | NAS1149FN816P | . . Washer | 4 | X | | X | | | | |
| - | AN960-8L | . . Washer (Alternate) | 4 | X | | X | | | | |
| - | MS20365-832 | . . Nut | 2 | X | | X | | | | |
| - | AN365-832 | . . Nut (Alternate) | 2 | X | | X | | | | |
| 420 | MS20257-P4 | . . Hinge | 1 | X | | X | | | | |
| 430 | MS20253-2 | . . Pin | 1 | X | | X | | | | |
| 440 | MS27039-0806 | . . Screw | 5 | X | | X | | | | |
| 440 | AN525-832R6 | . . Screw | 5 | X | | X | | | | |
| - | NAS1149FN816P | . . Washer | 5 | X | | X | | | | |
| - | AN960-8L | . . Washer (Alternate) | 5 | X | | X | | | | |
| - | MS20365-832 | . . Nut | 5 | X | | X | | | | |
| - | AN365-832 | . . Nut (Alternate) | 5 | X | | X | | | | |
| - | 28-11400-1 | . Cowl Installation | 1 | X | | X | | | | |
| - | 28-11414-1 | . . Left Side Cowl | 1 | X | | X | | | | |
| - | 28-11414-2 | . . Right Side Cowl | 1 | X | | X | | | | |
| 450 | 28-11414-4 | . . . Engine Cowl, R/H Lower | 1 | X | | X | | | | |
| -460 | 28-11414-3 | . . . Engine Cowl, L/H Lower | 1 | X | | X | | | | |
| 470 | 28-11414-6 | . . . Engine Cowl, R/H Upper | 1 | X | | X | | | | |
| -480 | 28-11414-5 | . . . Engine Cowl, L/H Upper | 1 | X | | X | | | | |
| 490 | 28-11440-1 | . . . Access Door | 1 | X | | X | | | | |
| 500 | AN507-632-5 | . . . Screw | 6 | X | | X | | | | |
| - | MS35338-41 | . . . Lock Washer | 6 | X | | X | | | | |
| - | AN935-6 | . . . Lock Washer (Alternate) | 6 | X | | X | | | | |
| - | AN340-6 | . . . Nut | 6 | X | | X | | | | |
| 510 | 5-W-140 | . . . Fastener | 3 | X | | X | | | | |
| - | 85-46-101-39 | . . . Washer | 3 | X | | X | | | | |
| - | 85-34-101-17 | . . . Retaining Ring | 3 | X | | X | | | | |
| 520 | 5-295 | . . . Receptacle | 3 | X | | X | | | | |
| 530 | AJ4-35 | . . . DZUS Stud | 5 | X | | X | | | | |

ENSTROM F-28/280 SERIES ILLUSTRATED PARTS CATALOG

FIGURE 7-1. WINDOWS, DOORS, AND COMPARTMENT ENCLOSURES (F-28A, F-28C, F-28F)

| ITEM NUMBER | PART NUMBER | DESCRIPTION | QTY PER ASSY | MODELS AFFECTED | | | | | | |
|-------------|---------------|--|--------------|-----------------|-----|-------|------|-------|------|-------|
| | | | | F-28A | 280 | F-28C | 280C | F-28F | 280F | 280FX |
| 540 | GA4-250 | . . . Grommet | 6 | X | | X | | | | |
| 550 | S4-200 | . . Spring | 6 | X | | X | | | | |
| 560 | MS20257-4 | . . . Hinge | 1 | X | | X | | | | |
| 570 | MS20253-2 | . . . Hinge Pin | 1 | X | | X | | | | |
| 580 | 82-12-120-16 | . . Fastener | 2 | X | | X | | | | |
| - | 43-13-1-24 | . . Spring | 2 | X | | X | | | | |
| - | 82-32-101-17 | . . Ring Retainer | 2 | X | | X | | | | |
| - | 82-46-101-39 | . . Nylon Washer | 2 | X | | X | | | | |
| 590 | 82-35-302-15 | . . Retainer | 2 | X | | X | | | | |
| - | 28-11300-1 | . Cabin Installation | 1 | X | | X | | | | |
| - | 28-11309-1 | . . Windshield Assembly | 1 | X | | X | | | | |
| 600 | 28-11309-3 | . . . Windshield, L/H | 1 | X | | X | | | | |
| 610 | 28-11309-4 | . . . Windshield, R/H | 1 | X | | X | | | | |
| 620 | 28-11309-6 | . . . Retaining Strip | 1 | X | | X | | | | |
| 630 | 28-11309-7 | . . . Seal | 1 | X | | X | | | | |
| 640 | AN525-832-18 | . . . Screw | A/R | X | | X | | | | |
| 650 | NAS1149FN816P | . . . Washer | A/R | X | | X | | | | |
| 650 | AN960-8L | . . . Washer (Alternate) | A/R | X | | X | | | | |
| 660 | MS35338-42 | . . . Washer | A/R | X | | X | | | | |
| 660 | AN935-8L | . . . Lock Washer (Alternate) | A/R | X | | X | | | | |
| 670 | MS20365-832 | . . . Nut | A/R | X | | X | | | | |
| 670 | AN365-832 | . . . Nut (Alternate) | A/R | X | | X | | | | |
| 680 | MS24693-S51 | . . . Screw | A/R | X | | X | | | | |
| 680 | AN507-832R9 | . . . Screw (Superseded by MS24693-S51) | A/R | X | | X | | | | |
| 690 | 28-11710-11 | . . Sliding Window Assembly, L/H | 1 | X | | X | | X | | |
| 690 | 28-11710-1 | . . Sliding Window Assembly, L/H (Replaced by 28-11710-11) | 1 | X | | X | | X | | |
| -695 | 28-11710-12 | . . Sliding Window Assembly, R/H | 1 | X | | X | | X | | |
| -695 | 28-11710-2 | . . Sliding Window Assembly, R/H (Replaced by 28-11710-12) | 1 | X | | X | | X | | |

ENSTROM F-28/280 SERIES ILLUSTRATED PARTS CATALOG

FIGURE 7-1. WINDOWS, DOORS, AND COMPARTMENT ENCLOSURES (F-28A, F-28C, F-28F)

| ITEM NUMBER | PART NUMBER | DESCRIPTION | QTY PER ASSY | MODELS AFFECTED | | | | | | |
|-------------|---------------|---|--------------|-----------------|-----|-------|------|-------|------|-------|
| | | | | F-28A | 280 | F-28C | 280C | F-28F | 280F | 280FX |
| - | 28-11708-1 | .. Sliding Wing Window, L/H | 1 | X | | X | | X | | |
| - | 28-11708-2 | .. Sliding Wing Window, R/H | 1 | X | | X | | X | | |
| - | 28-11709-1 | .. Sliding Window Assembly, L/H | 1 | X | | X | | X | | |
| - | 28-11709-2 | .. Sliding Window Assembly, R/H | 1 | X | | X | | X | | |
| - | 28-11711-17 | .. Pivot Block, L/H | 2 | X | | X | | X | | |
| - | 28-11711-11 | .. Pivot Block, L/H (Replaced by 28-11711-17) | 2 | X | | X | | X | | |
| - | 28-11711-18 | .. Pivot Block, R/H | 2 | X | | X | | X | | |
| - | 28-11711-12 | .. Pivot Block, R/H (Replaced by 28-11711-18) | 2 | X | | X | | X | | |
| - | 28-11712-11 | .. Handle | 1 | X | | X | | X | | |
| - | 28-22165-1 | .. Bushing | 2 | X | | X | | X | | |
| - | AN526-C1032-9 | .. Screw | 2 | X | | X | | X | | |
| - | MS21083N3 | .. Nut | 4 | X | | X | | X | | |
| - | AN364-1032A | .. Nut (Superseded by MS21083N3) | 4 | X | | X | | X | | |
| - | NAS1149C0332R | .. Washer | 6 | X | | X | | X | | |
| - | AN960-C10L | .. Washer (Alternate) | 6 | X | | X | | X | | |
| - | AN42B-14 | .. Eye Bolt | 2 | X | | X | | X | | |
| - | MS35206-230 | .. Screw | 3 | X | | X | | X | | |
| - | AN526-632R8 | .. Screw (Superseded by MS35206-230) | 3 | X | | X | | X | | |
| - | MS35206-227 | .. Screw | 4 | X | | X | | X | | |
| - | AN526-632-5 | .. Screw (Superseded by MS35206-227) | 4 | X | | X | | X | | |
| - | NAS1149FN616P | .. Washer | 6 | X | | X | | X | | |
| - | AN960-6L | .. Washer (Alternate) | 6 | X | | X | | X | | |
| - | MS21083N06 | .. Nut | 4 | X | | X | | X | | |
| - | AN364-632A | .. Nut (Superseded by MS21083N06) | 4 | X | | X | | X | | |
| - | MS51861-25 | .. Screw | 2 | X | | X | | X | | |
| - | AN530-6-8 | .. Screw (Superseded by MS51861-25) | 2 | X | | X | | X | | |

ENSTROM F-28/280 SERIES ILLUSTRATED PARTS CATALOG

FIGURE 7-1. WINDOWS, DOORS, AND COMPARTMENT ENCLOSURES (F-28A, F-28C, F-28F)

| ITEM NUMBER | PART NUMBER | DESCRIPTION | QTY PER ASSY | MODELS AFFECTED | | | | | | |
|-------------|---------------|---|--------------|-----------------|-----|-------|------|-------|------|-------|
| | | | | F-28A | 280 | F-28C | 280C | F-28F | 280F | 280FX |
| - | 28-113071-1 | . . Sliding Window Vent Fastener Installation | 1 | X | | X | | | | |
| 700 | MS35649-282 | . . Nut | A/R | X | | X | | | | |
| 700 | AN340-832 | . . Nut (Superseded by MS35649-282) | A/R | X | | X | | | | |
| - | 28-113048-2 | Cabin Assembly, Dual Control | REF | X | | X | | X | | |
| -* | 28-11425-2 | . . Overhead and Lower Deck Window Installation | 1 | X | | X | | X | | |
| 710 | 28-11425-4 | . . Overhead Glass, R/H | 1 | X | | X | | X | | |
| 720 | 28-11425-3 | . . Overhead Glass, L/H | 1 | X | | X | | X | | |
| 730▲ | 28-11425-8 | . . Overhead Extrusion, R/H | 1 | X | | X | | | | |
| 740▲ | 28-11425-7 | . . Overhead Extrusion, L/H | 1 | X | | X | | | | |
| 750 | 28-11425-6 | . . Lower Glass, R/H | 1 | X | | X | | X | | |
| 760 | 28-11425-5 | . . Lower Glass, L/H | 1 | X | | X | | X | | |
| 770▲ | 28-11425-10 | . . Lower Extrusion, R/H | 1 | X | | X | | | | |
| 780▲ | 28-11425-9 | . . Lower Extrusion, L/H | 1 | X | | X | | | | |
| 790 | CR-163-4-6 | . . Rivet | A/R | X | | X | | | | |
| 800 | AN960-4 | . Washer | A/R | X | | X | | | | |
| 810 | 28-11371-1 | . Latch | 2 | X | | X | | X | | |
| 820 | MS24693-C274 | . Screw | 4 | X | | X | | X | | |
| 820 | AN507C1032-12 | . Screw (Superseded by MS24693-C274) | 4 | X | | X | | X | | |
| - | 28-11700 | Door Lock Assembly | REF | X | | X | | X | | |
| 830 | 28-11701-1 | . Door Lock Bracket | 1 | X | | X | | X | | |
| 840 | 28-11702-1 | . Latch Arm, L/H | 1 | X | | X | | X | | |
| -845 | 28-11702-2 | . Latch Arm, R/H | 1 | X | | X | | X | | |
| 850 | 28-11703-1 | . Lock Bracket, L/H | 1 | X | | X | | X | | |
| -855 | 28-11703-2 | . Lock Bracket, R/H | 1 | X | | X | | X | | |
| 860 | NK500-8-5 | . Screw | 4 | X | | X | | X | | |
| 870 | AN509-8R12 | . Screw | 2 | X | | X | | X | | |
| - | NAS1149FN816P | . Washer | 2 | X | | X | | X | | |

ENSTROM F-28/280 SERIES ILLUSTRATED PARTS CATALOG

FIGURE 7-1. WINDOWS, DOORS, AND COMPARTMENT ENCLOSURES (F-28A, F-28C, F-28F)

| ITEM NUMBER | PART NUMBER | DESCRIPTION | QTY PER ASSY | MODELS AFFECTED | | | | | | |
|-------------|-------------|----------------------|--------------|-----------------|-----|-------|------|-------|------|-------|
| | | | | F-28A | 280 | F-28C | 280C | F-28F | 280F | 280FX |
| - | AN960-8L | . Washer (Alternate) | 2 | X | | X | | X | | |

* Use Silastic 732 RTV or equivalent, as required, to seal overhead and lower deck windows to extrusions and to seal extrusions to cabin shell.

▲ Used on early models only.

ENSTROM F-28/280 SERIES ILLUSTRATED PARTS CATALOG

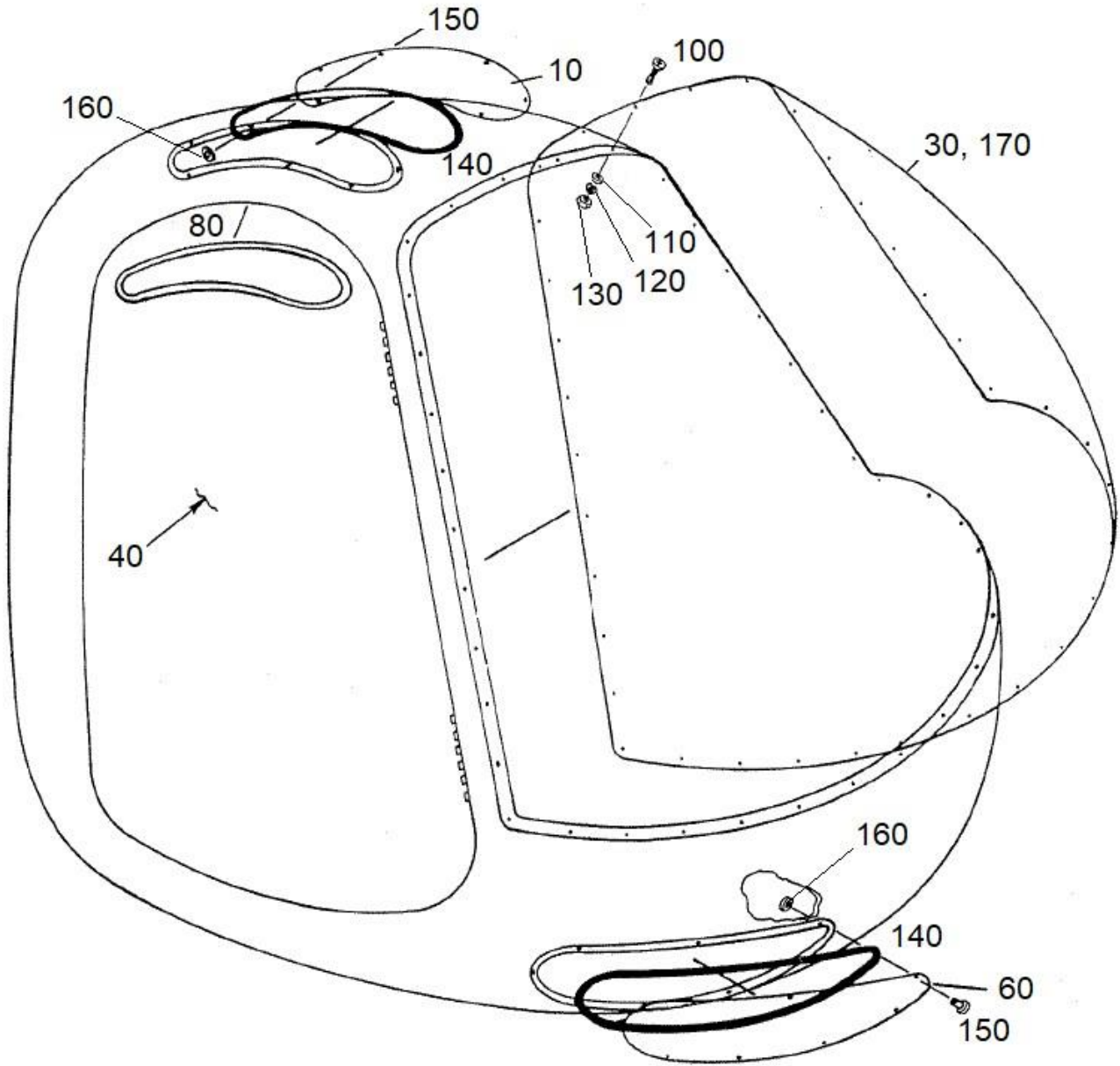


FIGURE 7-2. WINDOW INSTALLATION (F-28A, F-28C, F-28F)

ENSTROM F-28/280 SERIES ILLUSTRATED PARTS CATALOG

FIGURE 7-2. WINDOW INSTALLATION (F-28A, F-28C, F-28F)

| ITEM NUMBER | PART NUMBER | DESCRIPTION | QTY PER ASSY | MODELS AFFECTED | | | | | | |
|-------------|---------------|---|--------------|-----------------|-----|-------|------|-------|------|-------|
| | | | | F-28A | 280 | F-28C | 280C | F-28F | 280F | 280FX |
| - | 28-113048-2 | Cabin Assembly, Dual Control | REF | X | | X | | X | | |
| - | 28-11425-2 | . Overhead & Lower Deck Window Installation | 1 | X | | X | | X | | |
| 10 | 28-11425-3 | . . Overhead Glass, L/H | 1 | X | | X | | X | | |
| -20 | 28-11425-4 | . . Overhead Glass, R/H | 1 | X | | X | | X | | |
| 30 | 28-113052-2 | . Windshield (F-28C2) | 1 | | | X | | X | | |
| 40 | 28-11310-103 | . Door Assembly, R/H | 1 | X | | X | | X | | |
| -50 | 28-11310-104 | . Door Assembly, L/H | 1 | X | | X | | X | | |
| 60 | 28-11425-6 | . . Lower Glass, R/H | 1 | X | | X | | X | | |
| -70 | 28-11425-5 | . . Lower Glass, L/H | 1 | X | | X | | X | | |
| 80 | 28-11607-12 | . Trim Cap, R/H | 1 | | | X | | X | | |
| -90 | 28-11607-11 | . Trim Cap, L/H | 1 | | | X | | X | | |
| 100 | MS24693-S49 | . Screw | 36 | | | X | | X | | |
| 100 | AN507-832R7 | . Screw (Superseded by MS24693-S49) | 36 | | | X | | X | | |
| 110 | NAS1149FN816P | . Washer | 36 | | | X | | X | | |
| 110 | AN960-8L | . Washer (Alternate) | 36 | | | X | | X | | |
| 120 | MS35338-42 | . Lock Washer | 36 | | | X | | X | | |
| 120 | AN935-8L | . Lock Washer (Alternate) | 36 | | | X | | X | | |
| 130 | MS35649-282 | . Nut | 36 | | | X | | X | | |
| 130 | AN340-832 | . Nut (Superseded by MS35649-832) | 36 | | | X | | X | | |
| 140 | #4016 | . . Foam Tape | A/R | | | X | | X | | |
| 150 | CR91484-4-4 | . . Rivet | 30 | | | X | | X | | |
| 160 | NAS1149FN416P | . Washer | A/R | | | X | | X | | |
| 160 | AN960-4L | . Washer (Alternate) | A/R | | | X | | X | | |
| 170 | 28-11309-3 | . Windshield, L/H | 1 | X | | X | | | | |
| -180 | 28-11309-4 | . Windshield, R/H | 1 | X | | X | | | | |

ENSTROM F-28/280 SERIES ILLUSTRATED PARTS CATALOG

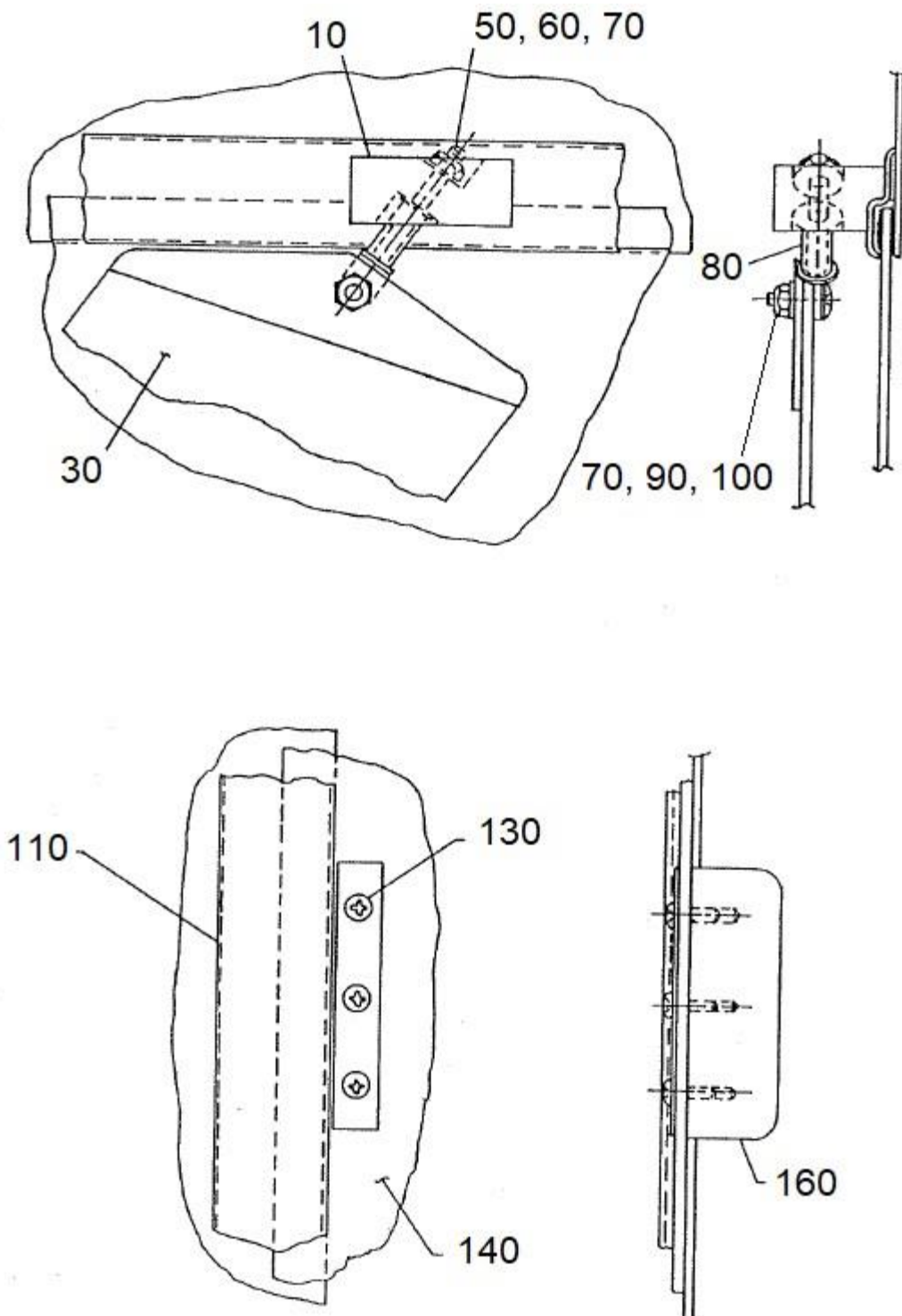


FIGURE 7-3. SLIDING WINDOW VENT INSTALLATION (F-28F)

ENSTROM F-28/280 SERIES ILLUSTRATED PARTS CATALOG

FIGURE 7-3. SLIDING WINDOW VENT INSTALLATION (F-28F)

| ITEM NUMBER | PART NUMBER | DESCRIPTION | QTY PER ASSY | MODELS AFFECTED | | | | | | |
|-------------|---------------|---|--------------|-----------------|-----|-------|------|-------|------|-------|
| | | | | F-28A | 280 | F-28C | 280C | F-28F | 280F | 280FX |
| - | 28-11714-3 | Sliding Window Vent Installation, L/H | 1 | | | | | X | | |
| - | 28-11714-4 | Sliding Window Vent Installation, R/H | 1 | | | | | X | | |
| 10 | 28-11711-17 | . Pivot Block, L/H | 1 | | | | | X | | |
| 10 | 28-11711-11 | . Pivot Block, L/H (Superseded by 28-11711-17) | 1 | | | | | X | | |
| -20 | 28-11711-18 | . Pivot Block, R/H | 1 | | | | | X | | |
| -20 | 28-11711-12 | . Pivot Block, R/H (Superseded by 28-11711-18) | 1 | | | | | X | | |
| 30 | 28-11708-1 | . Wing Window, L/H | 1 | | | | | X | | |
| -40 | 28-11708-2 | . Wing Window, R/H | 1 | | | | | X | | |
| 50 | AN42B-C12A | . Eye Bolt | 2 | | | | | X | | |
| 50 | AN42B-C14A | . Eye Bolt (Alternate) | 2 | | | | | X | | |
| 50 | AN42B-C11A | . Eye Bolt (Superseded by AN42B-C12A) | 2 | | | | | X | | |
| 60 | NAS1149F0332P | . Washer | 2 | | | | | X | | |
| 60 | AN960-10L | . Washer (Alternate) | 2 | | | | | X | | |
| 70 | MS21083N3 | . Nut | 6 | | | | | X | | |
| 70 | AN364-1032A | . Nut (Superseded by MS21083N3) | 6 | | | | | X | | |
| 80 | 28-22165-1 | . Bushing | 2 | | | | | X | | |
| 90 | AN526C1032-9 | . Screw | 2 | | | | | X | | |
| 100 | NAS1149F0363P | . Washer | 3 | | | | | X | | |
| 100 | AN960-10 | . Washer (Alternate) | 3 | | | | | X | | |
| 110 | 28-11710-11 | . Sliding Window Track, L/H | 1 | | | | | X | | |
| 110 | 28-11710-1 | . Sliding Window Track, L/H (Superseded by 28-11710-11) | 1 | | | | | X | | |
| -120 | 28-11710-12 | . Sliding Window Track, R/H | 1 | | | | | X | | |
| -120 | 28-11710-2 | . Sliding Window Track, R/H (Superseded by 28-11710-12) | 1 | | | | | X | | |
| 130 | AN526-6R8 | . Screw | 7 | | | | | X | | |
| 140 | 28-11709-3 | . Sliding Window, L/H | 1 | | | | | X | | |

ENSTROM F-28/280 SERIES ILLUSTRATED PARTS CATALOG

FIGURE 7-3. SLIDING WINDOW VENT INSTALLATION (F-28F)

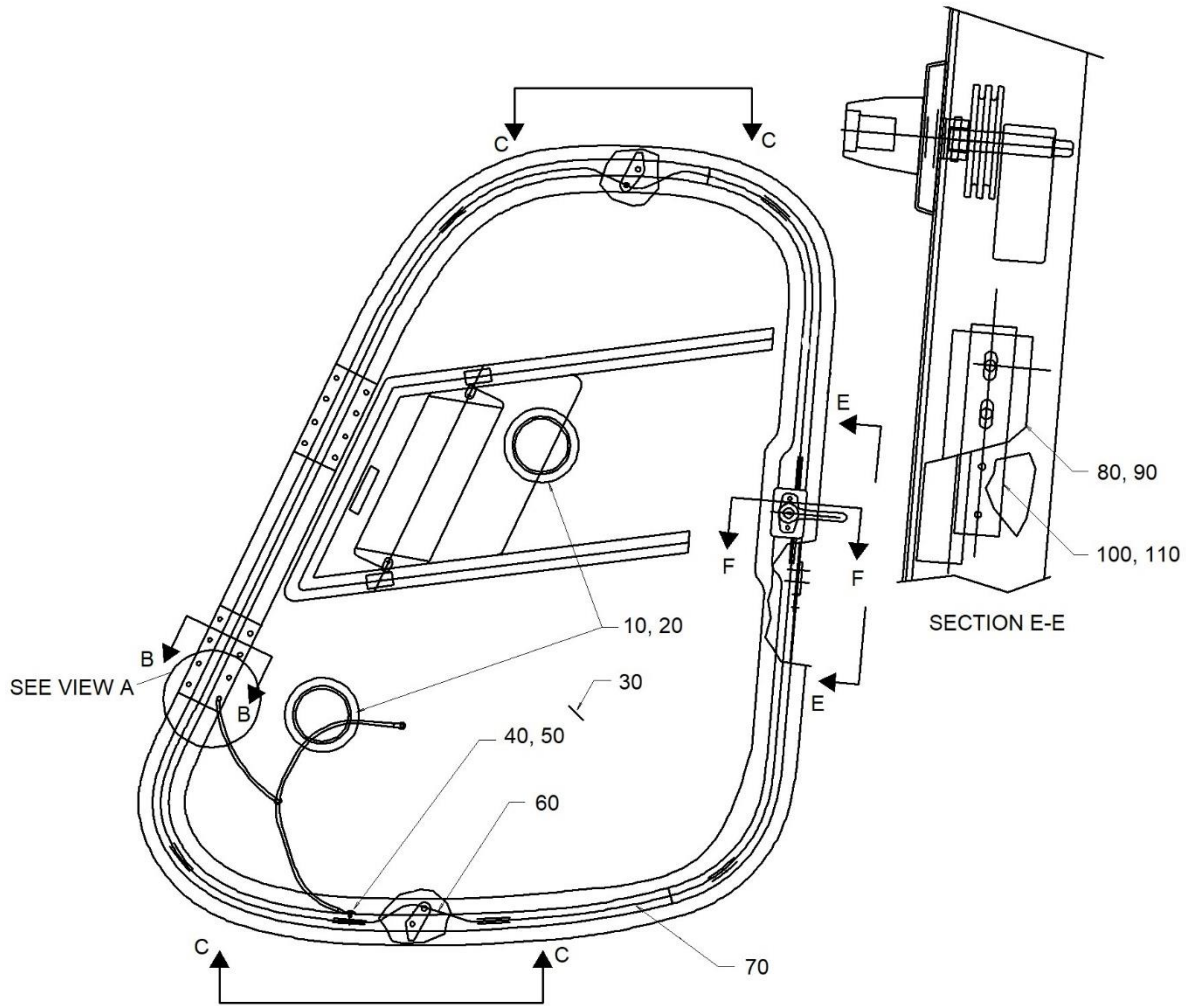
| ITEM NUMBER | PART NUMBER | DESCRIPTION | QTY PER ASSY | MODELS AFFECTED | | | | | | |
|-------------|-------------|--------------------------------------|--------------|-----------------|-----|-------|------|-------|------|-------|
| | | | | F-28A | 280 | F-28C | 280C | F-28F | 280F | 280FX |
| -150 | 28-11709-4 | . Sliding Window, R/H | 1 | | | | | X | | |
| 160 | 28-11712-15 | . Handle | 1 | | | | | X | | |
| 160 | 28-11712-11 | . Handle (Superseded by 28-11712-15) | 1 | | | | | X | | |

ENSTROM F-28/280 SERIES ILLUSTRATED PARTS CATALOG

I

INTENTIONALLY LEFT BLANK

ENSTROM F-28/280 SERIES ILLUSTRATED PARTS CATALOG



Sheet 1 of 3

FIGURE 7-4. DOOR ASSEMBLY AND INSTALLATION (F-28F S/N 745 & SUB)

ENSTROM F-28/280 SERIES ILLUSTRATED PARTS CATALOG

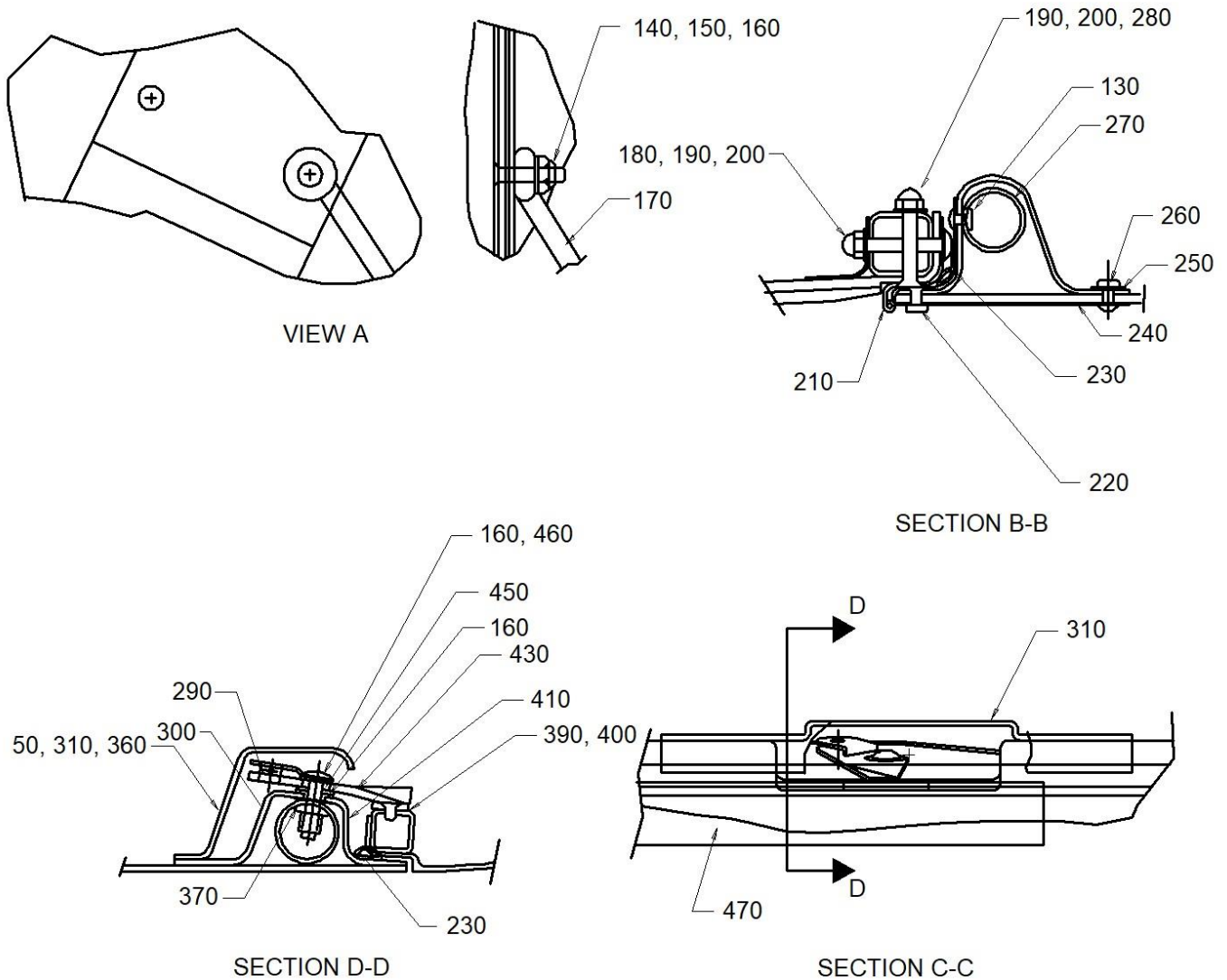
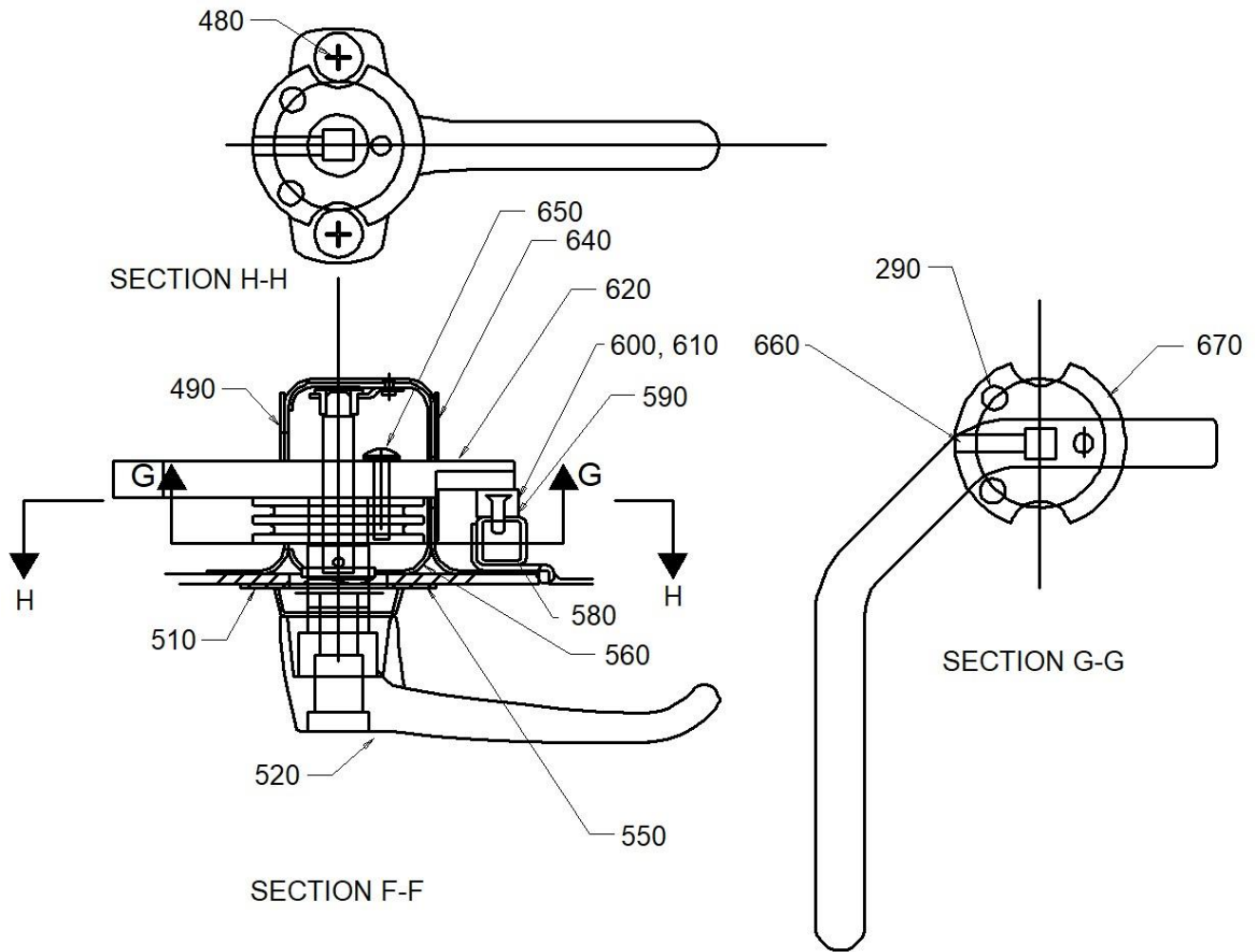


FIGURE 7-4. DOOR ASSEMBLY AND INSTALLATION (F-28F S/N 745 & SUB)

Sheet 2 of 3

ENSTROM F-28/280 SERIES ILLUSTRATED PARTS CATALOG



Sheet 3 of 3

FIGURE 7-4. DOOR ASSEMBLY AND INSTALLATION (F-28F S/N 745 & SUB)

ENSTROM F-28/280 SERIES ILLUSTRATED PARTS CATALOG

FIGURE 7-4. DOOR ASSEMBLY AND INSTALLATION (F-28F S/N 745 & SUB)

| ITEM NUMBER | PART NUMBER | DESCRIPTION | QTY PER ASSY | MODELS AFFECTED | | | | | | |
|-------------|--------------|--|--------------|-----------------|-----|-------|------|-------|------|-------|
| | | | | F-28A | 280 | F-28C | 280C | F-28F | 280F | 280FX |
| -▲ | 28-113090-23 | Door Assembly and Installation, L/H | REF | | | | | X | | |
| -▲ | 28-113090-3 | Door Assembly and Installation, L/H (Superseded by 28-113090-23) | REF | | | | | X | | |
| -▲ | 28-113090-24 | Door Assembly and Installation, R/H | REF | | | | | X | | |
| -▲ | 28-113090-4 | Door Assembly and Installation, R/H (Superseded by 28-113090-24) | REF | | | | | X | | |
| 10 | CC-3251 | . Snap Vent | 2 | | | | | X | | |
| 20* | 28-11715-11 | . Ring | 2 | | | | | X | | |
| 20 | 28-11310-10 | . Ring (Replaced by 28-11715-11) | 2 | | | | | X | | |
| 30 | 28-113090-21 | . Door Plexiglass, L/H | 1 | | | | | X | | |
| 30 | 28-11310-6 | . Door Plexiglass L/H (Replaced by 28-113090-21) | 1 | | | | | X | | |
| -40 | 28-113090-22 | . Plexiglass, R/H | 1 | | | | | X | | |
| -40 | 28-11310-5 | . Door Plexiglass, R/H (Replaced by 28-113090-22) | 1 | | | | | X | | |
| 50 | S6P-270 | . Plus Nut | 2 | | | | | X | | |
| 60 | AN526-8R12 | . Screw | 2 | | | | | X | | |
| 70 | 3498T613 | . Cable | A/R | | | | | X | | |
| 70 | 300-071 | . Cable (Superseded by 3498T613) | A/R | | | | | X | | |
| 70 | 3A-3308 | . Cable (Superseded by 300-071) | A/R | | | | | X | | |
| 80 | 300-072 | . Casing | A/R | | | | | X | | |
| 90 | 28-11713-11 | . Plate. L/H | 1 | | | | | X | | |
| -100 | 28-11713-12 | . Plate, R/H | 1 | | | | | X | | |
| 110 | AN507-8R9 | . Screw | 2 | | | | | X | | |
| 120 | 28-11713-15 | . Plate | 1 | | | | | X | | |
| 130 | CR3213-4-2 | . Rivet | 8 | | | | | X | | |
| 140 | MS24694-S7 | . Screw | 1 | | | | | X | | |
| 140 | AN509-8R10 | . Screw (Superseded by MS24694-S7) | 1 | | | | | X | | |
| 150 | MS20365-832 | . Nut | 1 | | | | | X | | |

ENSTROM F-28/280 SERIES ILLUSTRATED PARTS CATALOG

FIGURE 7-4. DOOR ASSEMBLY AND INSTALLATION (F-28F S/N 745 & SUB)

| ITEM NUMBER | PART NUMBER | DESCRIPTION | QTY PER ASSY | MODELS AFFECTED | | | | | | |
|-------------|-----------------|---|--------------|-----------------|-----|-------|------|-------|------|-------|
| | | | | F-28A | 280 | F-28C | 280C | F-28F | 280F | 280FX |
| 150 | AN365-832 | . Nut (Alternate) | 1 | | | | | X | | |
| 160 | NAS1149F0363P | . Washer | 2 | | | | | X | | |
| 160 | AN960-10 | . Washer (Alternate) | 2 | | | | | X | | |
| 170 | 28-11407-5 | . Bungee Cord | 1 | | | | | X | | |
| 180 | AN525-8R16 | . Screw | 2 | | | | | X | | |
| 190 | NAS1149FN816P | . Washer | 6 | | | | | X | | |
| 190 | AN960-8L | . Washer (Alternate) | 6 | | | | | X | | |
| 200 | 22NKM-82 | . Acorn Nut | 6 | | | | | X | | |
| 210 | 28-113076-1 | . Hinge | 2 | | | | | X | | |
| - | MS20253-P2-7200 | . Hinge Pin | 2 | | | | | X | | |
| - | 28-113076-15 | . Hinge Pin (Superseded by MS20253-P2-7200) | 2 | | | | | X | | |
| 220 | CR3212-4-4 | . Rivet | 8 | | | | | X | | |
| 230 | X1333HT | . Seal | 10' | | | | | X | | |
| 230 | ZX-10204 | . Seal (Replaced by X1333HT) | 10' | | | | | X | | |
| 240 | 28-113078-11 | . Doubler, Door | 2 | | | | | X | | |
| 250 | 28-113087-11 | . Hinge Plate Doubler | 2 | | | | | X | | |
| 260 | CR3213-4-4 | . Rivet | 7 | | | | | X | | |
| 270 | 28-113090-25 | . Stiffener | 1 | | | | | X | | |
| 270 | 28-113077-11 | . Doubler, Door (Replaced by 28-113090-25) | 1 | | | | | X | | |
| 280 | MS24694-S13 | . Screw | 4 | | | | | X | | |
| 280 | AN509-8R16 | . Screw (Superseded by MS24694-S13) | 4 | | | | | X | | |
| 290 | 1053 | . Stop Nut | 3 | | | | | X | | |
| 300 | 28-113088-11 | . Door Latch Doubler | 2 | | | | | X | | |
| 310 | 28-113090-11 | . Door Cable Cover, Top, L/H | 1 | | | | | X | | |
| -320 | 28-113090-12 | . Door Cable Cover, Top R/H | 1 | | | | | X | | |
| -340 | 28-113090-13 | . Door Cable Cover, Bottom, L/H | 1 | | | | | X | | |
| -350 | 28-113090-14 | . Door Cable Cover, Bottom, R/H | 1 | | | | | X | | |
| 360 | AN526-6R8 | . Screw | 7 | | | | | X | | |

ENSTROM F-28/280 SERIES ILLUSTRATED PARTS CATALOG

FIGURE 7-4. DOOR ASSEMBLY AND INSTALLATION (F-28F S/N 745 & SUB)

| ITEM NUMBER | PART NUMBER | DESCRIPTION | QTY PER ASSY | MODELS AFFECTED | | | | | | |
|-------------|---------------|---|--------------|-----------------|-----|-------|------|-------|------|-------|
| | | | | F-28A | 280 | F-28C | 280C | F-28F | 280F | 280FX |
| 370 | S10P-175 | . Plus Nut | 2 | | | | | X | | |
| 380 | 28-11484-13 | . Door Strike | 4 | | | | | X | | |
| 390 | 28-11435-1 | . Lock Plate | 2 | | | | | X | | |
| 400 | MS51862-13 | . Screw | 4 | | | | | X | | |
| 400 | AN531-6R6 | . Screw (Superseded by MS51862-13) | 4 | | | | | X | | |
| 410 | 28-113090-15 | . Door Frame, L/H | 1 | | | | | X | | |
| -420 | 28-113090-16 | . Door Frame, R/H | 1 | | | | | X | | |
| 430 | 28-113096-1 | . Door Latch, L/H | 1 | | | | | X | | |
| 430 | 28-113085-13 | . Door Latch, L/H (Replaced by 28-113096-1) | 1 | | | | | X | | |
| -440 | 28-113096-2 | . Door Latch, R/H | 1 | | | | | X | | |
| -440 | 28-113085-14 | . Door Latch, R/H (Replaced by 28-113096-2) | 1 | | | | | X | | |
| 450 | 28-113084-11 | . Door Latch Sleeve | 2 | | | | | X | | |
| 460 | NP525-10R10 | . Screw | 2 | | | | | X | | |
| 470 | 28-113090-17 | . Doubler | 1 | | | | | X | | |
| 480 | MS35207-277 | . Screw | 2 | | | | | X | | |
| 490 | 28-113090-19 | . Cover, L/H | 1 | | | | | X | | |
| -500 | 28-113090-20 | . Cover, R/H | 1 | | | | | X | | |
| - | 4910-50 | . Tape | A/R | | | | | X | | |
| 510 | Y9485 | . Adhesive Tape | A/R | | | | | X | | |
| 520 | 28-113091-5 | . Door Handle, L/H | 1 | | | | | X | | |
| -530 | 28-113091-6 | . Door Handle, R/H | 1 | | | | | X | | |
| -540 | 28-113091-3 | . Door Handle Set (Replaced by 28-113091-5 and 28-113091-6) | 1 | | | | | X | | |
| -540 | 28-113091-1 | . Door Handle Set (Replaced by 28-113091-3) | 1 | | | | | X | | |
| -540A | 28-113091-3CS | . Door Handle Set | 1 | | | | | X | | |
| 550 | 28-113092-13 | . Door Latch Doubler | 1 | | | | | X | | |
| 550 | 28-113092-11 | . Door Latch Doubler (Superseded by 28-113092-13) | 1 | | | | | X | | |

ENSTROM F-28/280 SERIES ILLUSTRATED PARTS CATALOG

FIGURE 7-4. DOOR ASSEMBLY AND INSTALLATION (F-28F S/N 745 & SUB)

| ITEM NUMBER | PART NUMBER | DESCRIPTION | QTY PER ASSY | MODELS AFFECTED | | | | | | |
|-------------|--------------|--|--------------|-----------------|-----|-------|------|-------|------|-------|
| | | | | F-28A | 280 | F-28C | 280C | F-28F | 280F | 280FX |
| 560 | 28-113097-3 | . Doubler Assembly, L/H | 1 | | | | | X | | |
| - | 28-113097-13 | . . Door Latch Doubler, L/H | 1 | | | | | X | | |
| -570 | 28-113097-4 | . Doubler Assembly, R/H | 1 | | | | | X | | |
| - | 28-113097-14 | . . Door Latch Doubler, R/H | 1 | | | | | X | | |
| 580 | 28-11484-11 | . Door Strike | 1 | | | | | X | | |
| 590 | 28-113090-27 | . Shim | A/R | | | | | X | | |
| 600 | MS51862-14 | . Screw | 5 | | | | | X | | |
| 600 | AN531-6R8 | . Screw (Superseded by MS51862-14) | 5 | | | | | X | | |
| 610 | 28-11371-1 | . Lock Plate | 1 | | | | | X | | |
| 620 | 28-113080-5 | . Door Latch, L/H | 1 | | | | | X | | |
| 620 | 28-113080-3 | . Latch Arm, L/H (Superseded by 28-113080-5) | 1 | | | | | X | | |
| -630 | 28-113080-6 | . Door Latch, R/H | 1 | | | | | X | | |
| -630 | 28-113080-4 | . Latch Arm, R/H (Superseded by 28-11380-6) | 1 | | | | | X | | |
| 640 | 28-113090-18 | . Door Cover | 1 | | | | | X | | |
| 650 | NP525-10R12 | . Screw | 1 | | | | | X | | |
| 660 | MS18063-8 | . Set Screw | 1 | | | | | X | | |
| 670 | 28-113093-13 | . Pulley | 1 | | | | | X | | |

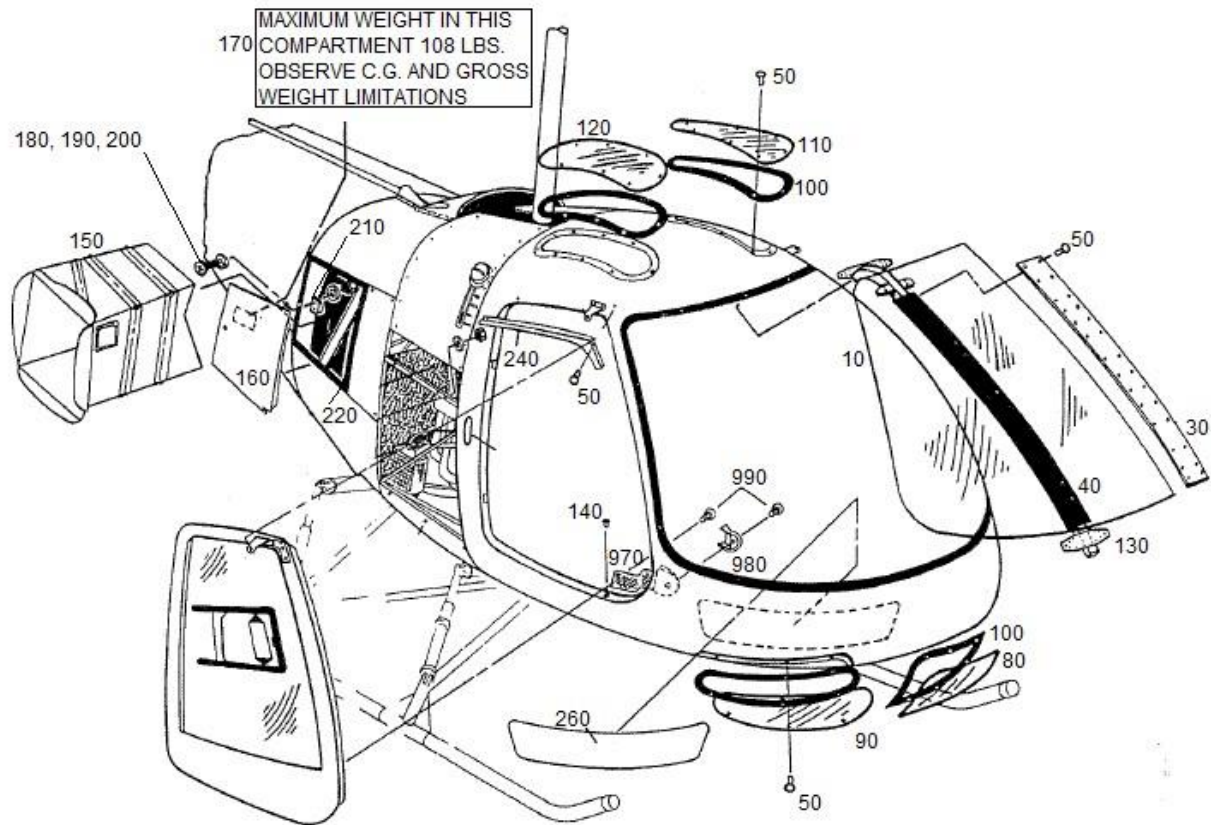
▲ Assembly and installation post-1986.

* Remove CC-3251 snap vent and 28-11715-11 ring when 28-01042-1 or 28-01042-2 sliding window kit is requested.

ENSTROM F-28/280 SERIES ILLUSTRATED PARTS CATALOG

INTENTIONALLY LEFT BLANK

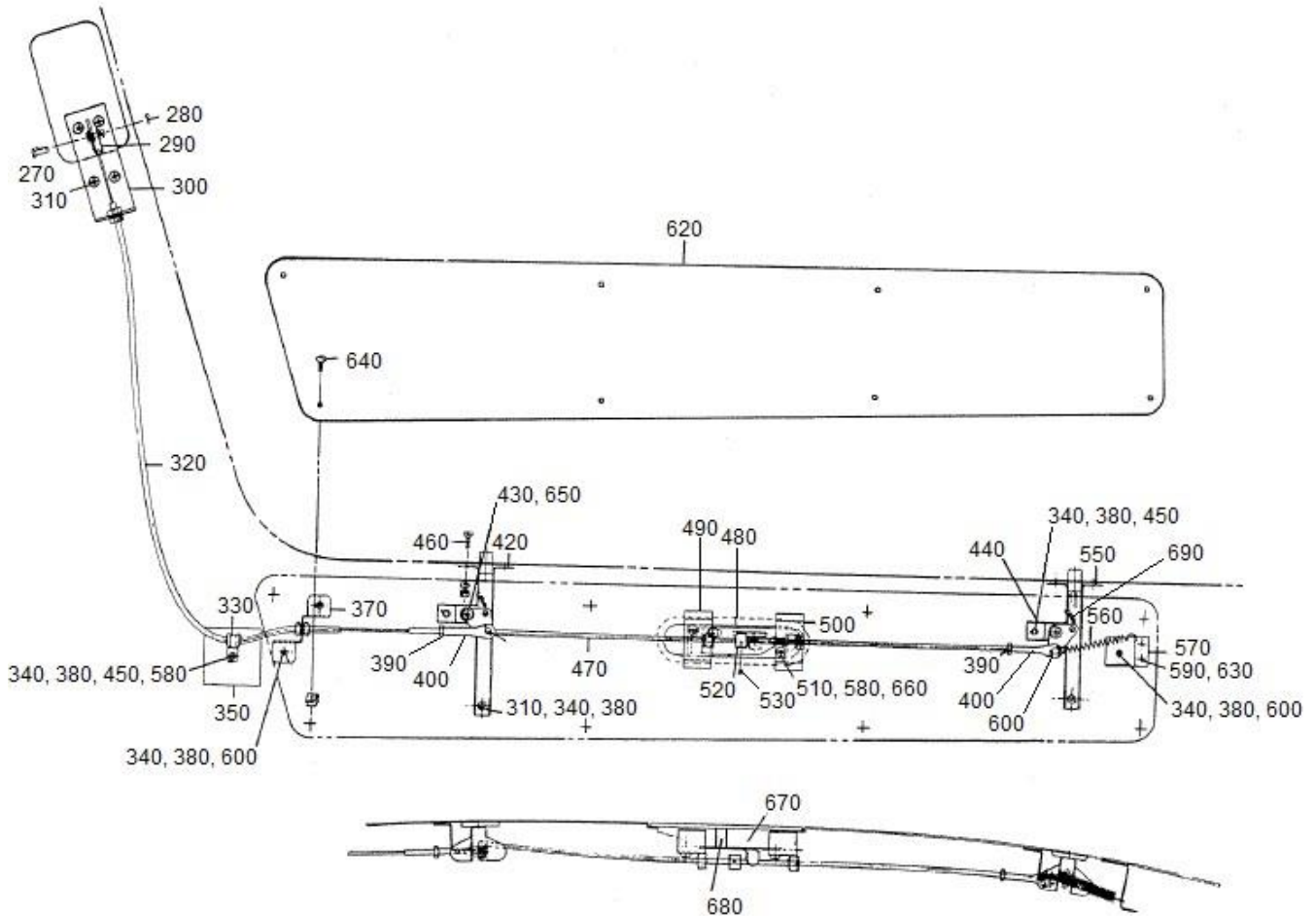
ENSTROM F-28/280 SERIES ILLUSTRATED PARTS CATALOG



Sheet 1 of 3

FIGURE 7-5. WINDOWS, DOORS, AND COMPARTMENT ENCLOSURES
(280, 280C, 280F, 280FX)

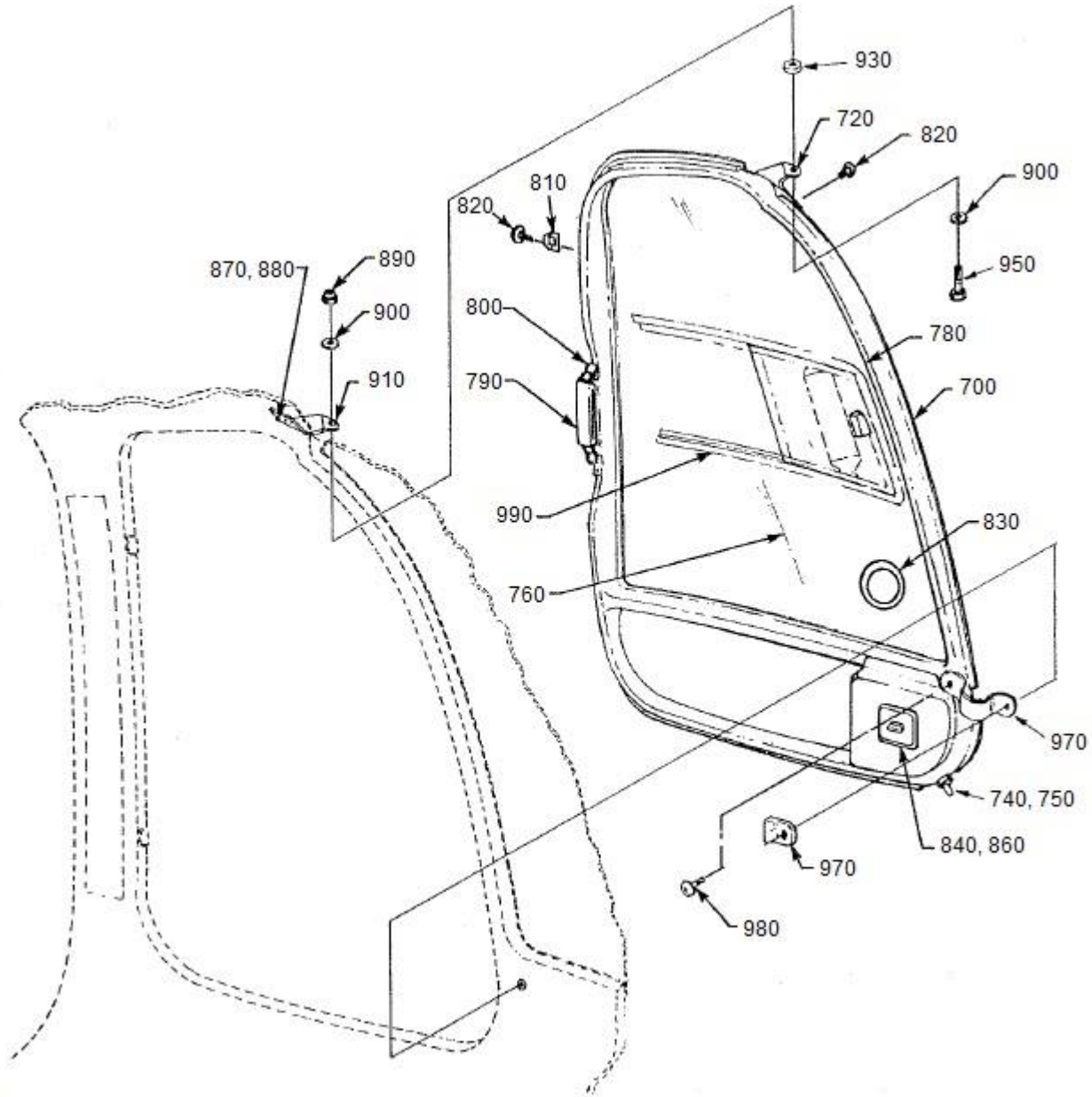
ENSTROM F-28/280 SERIES ILLUSTRATED PARTS CATALOG



Sheet 2 of 3

FIGURE 7-5. WINDOWS, DOORS, AND COMPARTMENT ENCLOSURES
(280, 280C, 280F, 280FX)

ENSTROM F-28/280 SERIES ILLUSTRATED PARTS CATALOG



Sheet 3 of 3

FIGURE 7-5. WINDOWS, DOORS, AND COMPARTMENT ENCLOSURES
(280, 280C, 280F, 280FX)

ENSTROM F-28/280 SERIES ILLUSTRATED PARTS CATALOG

FIGURE 7-5. WINDOWS, DOORS, AND COMPARTMENT ENCLOSURES
(280, 280C, 280F, 280FX)

| ITEM NUMBER | PART NUMBER | DESCRIPTION | QTY PER ASSY | MODELS AFFECTED | | | | | | |
|-------------|----------------|--|--------------|-----------------|-----|-------|------|-------|------|-------|
| | | | | F-28A | 280 | F-28C | 280C | F-28F | 280F | 280FX |
| - | 280-113000-103 | Cabin Installation | REF | | X | | X | | X | X |
| 10 | 280-113022-12 | . Windshield, R/H | 1 | | X | | X | | X | X |
| -20 | 280-113022-11 | . Windshield, L/H | 1 | | X | | X | | X | X |
| 30 | 280-113022-17 | . . Stiffener | 1 | | X | | X | | X | X |
| 40 | PR1425B1/2 | . . Sealant | A/R | | X | | X | | X | X |
| 40 | PR1425B2 | . . Sealant (Alternate) | A/R | | X | | X | | X | X |
| 40 | 4016-1 | . . Foam Tape (Replaced by PR1425B1/2) | A/R | | X | | X | | X | X |
| - | 1425 | . . Sealant | A/R | | X | | X | | X | X |
| - | EC-801-807 | . . Adhesive (Replaced by 1425) | A/R | | X | | X | | X | X |
| 50 | CR91484-4-03 | . . Rivet | A/R | | X | | X | | X | X |
| 50 | AD43BSLF | . . Rivet (Alternate to CR91484-4-03) | A/R | | X | | X | | X | X |
| 50 | CR91484-4-3 | . . Rivet (Replaced by CR91484-4-03) | A/R | | X | | X | | X | X |
| -60 | CR91484-4-04 | . . Rivet | A/R | | X | | X | | X | X |
| -60 | AD44BSLF | . . Rivet (Alternate to CR91484-4-04) | A/R | | X | | X | | X | X |
| -60 | CR91484-4-4 | . . Rivet (Replaced by CR91484-4-04) | A/R | | X | | X | | X | X |
| -70 | CR91484-4-05 | . . Rivet | A/R | | X | | X | | X | X |
| -70 | AD45BSLF | . . Rivet (Alternate to CR91484-4-05) | A/R | | X | | X | | X | X |
| -70 | CR91484-4-5 | . . Rivet (Replaced by CR91484-5-05) | A/R | | X | | X | | X | X |
| 80 | 280-113022-13 | . . Lower Window, L/H | 1 | | X | | X | | X | X |
| 90 | 280-113022-14 | . . Lower Window, R/H | 1 | | X | | X | | X | X |
| 100 | 4016-75 | . . Foam Tape | A/R | | X | | X | | X | X |
| 110 | 280-113022-15 | . . Upper Window, L/H | 1 | | X | | X | | X | X |
| 120 | 280-113022-16 | . . Upper Window, R/H | 1 | | X | | X | | X | X |
| - | 280-113001-9 | . Cabin Subassembly | 1 | | X | | X | | X | X |
| - | 280-113023-1 | . . Cabin Fiberglass & Seat Structure Assembly | 1 | | X | | X | | X | X |

ENSTROM F-28/280 SERIES ILLUSTRATED PARTS CATALOG

FIGURE 7-5. WINDOWS, DOORS, AND COMPARTMENT ENCLOSURES
(280, 280C, 280F, 280FX)

| ITEM NUMBER | PART NUMBER | DESCRIPTION | QTY PER ASSY | MODELS AFFECTED | | | | | | |
|-------------|---------------|---|--------------|-----------------|-----|-------|------|-------|------|-------|
| | | | | F-28A | 280 | F-28C | 280C | F-28F | 280F | 280FX |
| 130 | 280-113024-1 | . . . Main Windshield Post Assembly | 1 | | X | | X | | X | X |
| 140 | 3-1AF | . . . Bushing | 2 | | X | | X | | X | X |
| 150 | 280-128000-2 | . Baggage Compartment Installation | 1 | | X | | X | | X | X |
| 160 | 280-114507-1 | . Baggage Door Assembly | 1 | | X | | X | | X | |
| -160A | 280-114507-3 | . Baggage Door Assembly | 1 | | | | | | | X |
| 170 | 28-12830-11 | . . Placard | 1 | | X | | X | | X | X |
| 180 | AN525-832R8 | . Screw | 2 | | X | | X | | X | X |
| 180 | AN526-832R8 | . Screw (Superseded by AN525-832R8) | 2 | | X | | X | | X | X |
| 190 | NAS1149FN816P | . Washer | 4 | | X | | X | | X | X |
| 190 | AN960-8L | . Washer (Alternate) | 4 | | X | | X | | X | X |
| 200 | MS21083N08 | . Nut | 2 | | X | | X | | X | X |
| 200 | AN364-832A | . Nut (Superseded by MS21083N08) | 2 | | X | | X | | X | X |
| 210 | 280-114500-13 | . Catch Plate | 1 | | X | | X | | X | X |
| 220 | 4316 | . Tape, 3/4" Wide | A/R | | X | | X | | X | X |
| -230 | 28-113047-11 | . Rain Fairing, L/H | 1 | | X | | X | | X | X |
| 240 | 28-113047-12 | . Rain Fairing, R/H | 1 | | X | | X | | X | X |
| -250 | 28-113041-11 | . Cabin Trim, L/H | 1 | | X | | X | | X | X |
| 260 | 28-113041-12 | . Cabin Trim, R/H | 1 | | X | | X | | X | X |
| -* | 280-117000-1 | . Cabin Door Lock Assembly, L/H | 1 | | X | | X | | X | X |
| -* | 280-117000-2 | . Cabin Door Lock Assembly, R/H | 1 | | X | | X | | X | X |
| 270 | AN393-11 | . . Pin | 2 | | X | | X | | X | X |
| 280 | MS24665-1013 | . . Cotter Pin | 2 | | X | | X | | X | X |
| 280 | AN381-2-7 | . . Cotter Pin (Superseded by MS24665-1013) | 2 | | X | | X | | X | X |
| 290 | 280-117001-15 | . . Clevis | 1 | | X | | X | | X | X |
| 300 | 280-117001-23 | . . Retainer | 1 | | X | | X | | X | X |
| 310 | MS27039-0808 | . . Screw | 4 | | X | | X | | X | X |

ENSTROM F-28/280 SERIES ILLUSTRATED PARTS CATALOG

FIGURE 7-5. WINDOWS, DOORS, AND COMPARTMENT ENCLOSURES
(280, 280C, 280F, 280FX)

| ITEM NUMBER | PART NUMBER | DESCRIPTION | QTY PER ASSY | MODELS AFFECTED | | | | | | |
|-------------|---------------|---------------------------------------|--------------|-----------------|-----|-------|------|-------|------|-------|
| | | | | F-28A | 280 | F-28C | 280C | F-28F | 280F | 280FX |
| 310 | AN525-832R8 | .. Screw (Superseded by MS27039-0808) | 4 | | X | | X | | X | X |
| 320 | 280-117002-1 | .. Cable | 1 | | X | | X | | X | X |
| 330 | MS21919-DG3 | .. Clamp | 1 | | X | | X | | X | X |
| 340 | NAS1149FN816P | .. Washer | 10 | | X | | X | | X | X |
| 340 | AN960-8L | .. Washer (Alternate) | 10 | | X | | X | | X | X |
| 350 | 280-117000-17 | .. Backing Plate | 2 | | X | | X | | X | X |
| -360 | 280-117000-25 | .. Bracket, L/H | 1 | | X | | X | | X | X |
| 370 | 280-117000-26 | .. Bracket, R/H | 1 | | X | | X | | X | X |
| 380 | MS21044N08 | .. Nut | 8 | | X | | X | | X | X |
| 380 | AN365-832A | .. Nut (Superseded by MS21044N08) | 8 | | X | | X | | X | X |
| 390 | AN315-3R | .. Nut | 8 | | X | | X | | X | X |
| 400 | AN665-21R | .. Clevis | 2 | | X | | X | | X | X |
| -410 | 280-117003-1 | .. Latch Assembly, L/H | 1 | | X | | X | | X | X |
| 420 | 280-117003-2 | .. Latch Assembly, R/H | 1 | | X | | X | | X | X |
| 430 | NAS1149F0332P | .. Washer | 4 | | X | | X | | X | X |
| 430 | AN960-10L | .. Washer (Alternate) | 4 | | X | | X | | X | X |
| 440 | 28-13605-4 | .. Shim | A/R | | X | | X | | X | X |
| -440A | 28-13605-5 | .. Shim | A/R | | X | | X | | X | X |
| -440B | 28-13605-6 | .. Shim | A/R | | X | | X | | X | X |
| -440C | 28-13605-7 | .. Shim | A/R | | X | | X | | X | X |
| -440D | 28-13605-8 | .. Shim | A/R | | X | | X | | X | X |
| 450 | MS27039-0810 | .. Screw | 3 | | X | | X | | X | X |
| 450 | AN525-832R10 | .. Screw (Superseded by MS27039-0810) | 3 | | X | | X | | X | X |
| 460 | AN507-1032-8 | .. Screw | 4 | | X | | X | | X | X |
| 470 | 280-117003-27 | .. Push Rod Assembly | 1 | | X | | X | | X | X |
| 480 | 280-117001-3 | .. Latch | 1 | | X | | X | | X | X |
| 490 | 280-117001-7 | .. Latch Retainer | 1 | | X | | X | | X | X |

ENSTROM F-28/280 SERIES ILLUSTRATED PARTS CATALOG

FIGURE 7-5. WINDOWS, DOORS, AND COMPARTMENT ENCLOSURES
(280, 280C, 280F, 280FX)

| ITEM NUMBER | PART NUMBER | DESCRIPTION | QTY PER ASSY | MODELS AFFECTED | | | | | | |
|-------------|---------------|--|--------------|-----------------|-----|-------|------|-------|------|-------|
| | | | | F-28A | 280 | F-28C | 280C | F-28F | 280F | 280FX |
| 500 | 280-117001-5 | .. Latch Retainer | 1 | | X | | X | | X | X |
| 510 | AN526-1032R8 | .. Screw | 2 | | X | | X | | X | X |
| 520 | 280-117001-25 | .. Latch Stop | 1 | | X | | X | | X | X |
| 530 | 8-32X1/4 IN | .. Screw | 1 | | X | | X | | X | X |
| -540 | 280-117003-3 | .. Latch Retainer, L/H | 1 | | X | | X | | X | X |
| 550 | 280-117003-4 | .. Latch Retainer, R/H | 1 | | X | | X | | X | X |
| 560 | 280-117000-10 | .. Spring (CS-31) | 1 | | X | | X | | X | X |
| 570 | 280-117000-15 | .. Bracket | 1 | | X | | X | | X | X |
| 580 | NAS1149F0363P | .. Washer | 4 | | X | | X | | X | X |
| 580 | AN960-10 | .. Washer (Alternate) | 4 | | X | | X | | X | X |
| 590 | MS51862-13 | .. Screw | 2 | | X | | X | | X | X |
| 590 | AN531-6-6 | .. Screw (Superseded by MS51862-13) | 2 | | X | | X | | X | X |
| 600 | MS27039-0807 | .. Screw | 5 | | X | | X | | X | X |
| 600 | AN525-832R7 | .. Screw (Superseded by MS27039-0807) | 5 | | X | | X | | X | X |
| -610 | 280-113038-11 | .. Panel, L/H | 1 | | X | | X | | X | X |
| 620 | 280-113038-12 | .. Panel, R/H | 1 | | X | | X | | X | X |
| 630 | A1785-6Z1D | .. Tinnerman Nut | 2 | | X | | X | | X | X |
| 640 | MS51861-25 | .. Screw | 8 | | X | | X | | X | X |
| 640 | AN530-6R8 | .. Screw (Superseded by MS51861-25) | 8 | | X | | X | | X | X |
| 650 | NK525-1032R12 | .. Screw | 2 | | X | | X | | X | X |
| 660 | AN935-10L | .. Lock Washer | 2 | | X | | X | | X | X |
| 670 | H2532-13 | .. Door Latch (Exterior) | 1 | | X | | X | | X | X |
| - | H2532-15 | .. Door Latch (L/H Interior) | 1 | | X | | X | | X | X |
| - | H2532-16 | .. Door Latch (R/H Interior) | 1 | | X | | X | | X | X |
| 680 | ECD060-5 | .. Lock Tumbler | 1 | | X | | X | | X | X |
| 680 | 110927-3 | .. Tumbler Assembly (Replaced by ECD060-5) | 1 | | X | | X | | X | X |
| 690 | LE-026B-00MW | .. Spring | 2 | | X | | X | | X | X |

ENSTROM F-28/280 SERIES ILLUSTRATED PARTS CATALOG

FIGURE 7-5. WINDOWS, DOORS, AND COMPARTMENT ENCLOSURES
(280, 280C, 280F, 280FX)

| ITEM NUMBER | PART NUMBER | DESCRIPTION | QTY PER ASSY | MODELS AFFECTED | | | | | | |
|-------------|---------------|--|--------------|-----------------|-----|-------|------|-------|------|-------|
| | | | | F-28A | 280 | F-28C | 280C | F-28F | 280F | 280FX |
| 700 | 280-113027-1 | . Door Assembly, L/H | 1 | | X | | X | | X | X |
| -710 | 280-113027-2 | . Door Assembly, R/H | 1 | | X | | X | | X | X |
| 720 | 280-113027-23 | . . Hinge, L/H | 1 | | X | | X | | X | X |
| -730 | 280-113027-24 | . . Hinge, R/H | 1 | | X | | X | | X | X |
| 740 | 280-113027-31 | . . Hinge Pin | 1 | | X | | X | | X | X |
| 750 | AN345-1032 | . . Nut | 1 | | X | | X | | X | X |
| 760 | 280-113027-13 | . . Door Plexiglass, L/H | 1 | | X | | X | | X | X |
| -770 | 280-113027-14 | . . Door Plexiglass, R/H | 1 | | X | | X | | X | X |
| 780 | 2500-4 | . . Weather Strip | A/R | | X | | X | | X | X |
| - | 28-113102-1 | . . Door Handle Assembly | 1 | | X | | X | | X | X |
| 790 | 28-113102-11 | . . . Door Handle | 1 | | X | | X | | X | X |
| 800 | NK525-832R10 | . . Screw | 2 | | X | | X | | X | X |
| 810 | 280-113039-11 | . . Latch Striker | 2 | | X | | X | | X | X |
| 820 | MS27039-0808 | . . Screw | 8 | | X | | X | | X | X |
| 820 | AN525-832R8 | . . Screw (Superseded by MS27039-0808) | 8 | | X | | X | | X | X |
| 830 | CC-3251 | . . Snap Vent | 1 | | X | | X | | X | X |
| - | 28-11715-11 | . . Ring | 1 | | X | | X | | X | X |
| 840▲ | 280-113035-1 | . . Ash Tray Receptacle Assembly, L/H | 1 | | X | | X | | X | X |
| -▲ | 280-113035-11 | . . . Receptacle Door, L/H | 1 | | X | | X | | X | X |
| -850▲ | 280-113035-2 | . . Ash Tray Receptacle Assembly, R/H | 1 | | X | | X | | X | X |
| -▲ | 280-113035-12 | . . . Receptacle Door, R/H | 1 | | X | | X | | X | X |
| 860▲ | MS51861-24 | . . Screw | 2 | | X | | X | | X | X |
| 860▲ | AN530-6R6 | . . Screw (Superseded by MS51861-24) | 2 | | X | | X | | X | X |
| 870 | NAS6603-4 | . . Bolt | 2 | | X | | X | | X | X |

ENSTROM F-28/280 SERIES ILLUSTRATED PARTS CATALOG

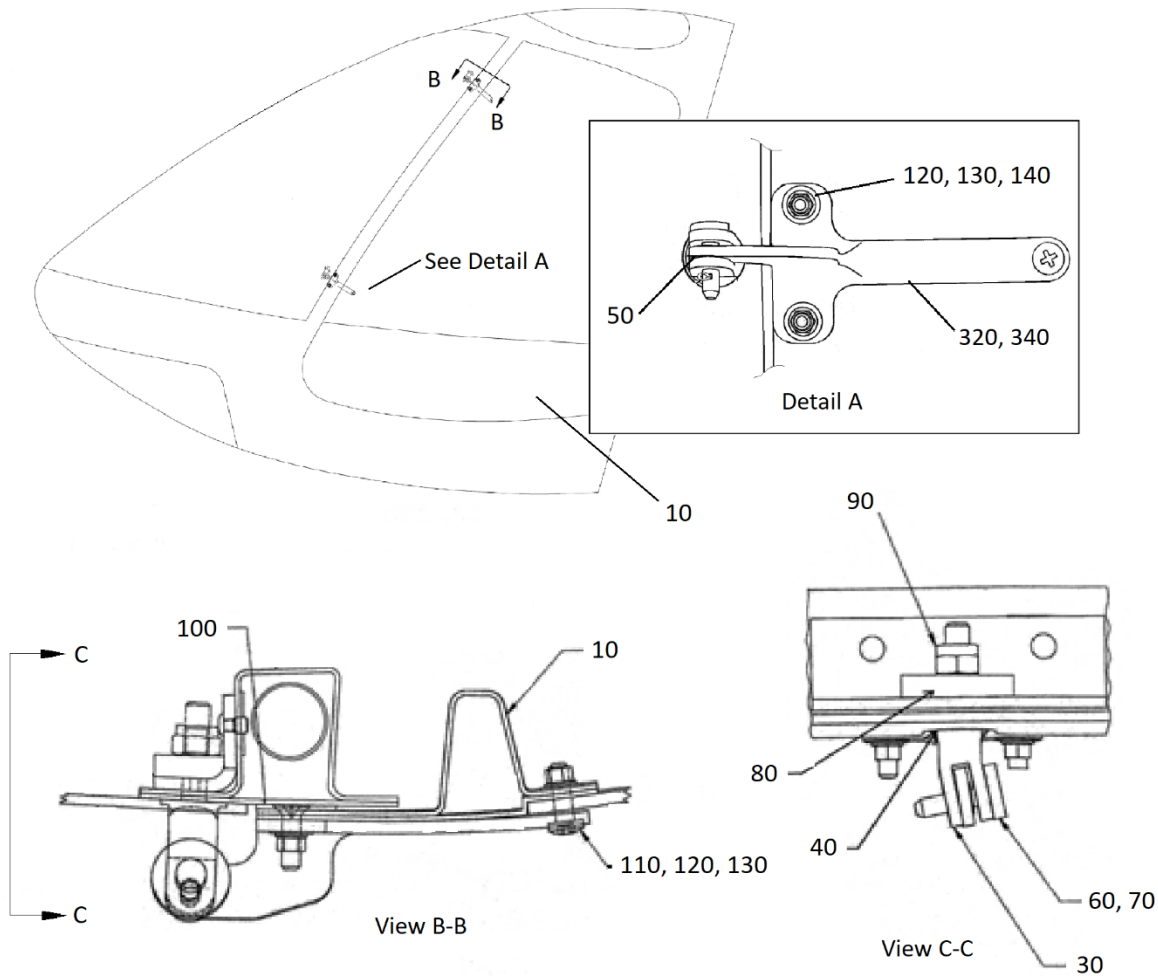
FIGURE 7-5. WINDOWS, DOORS, AND COMPARTMENT ENCLOSURES
(280, 280C, 280F, 280FX)

| ITEM NUMBER | PART NUMBER | DESCRIPTION | QTY PER ASSY | MODELS AFFECTED | | | | | | |
|-------------|---------------|---|--------------|-----------------|-----|-------|------|-------|------|-------|
| | | | | F-28A | 280 | F-28C | 280C | F-28F | 280F | 280FX |
| 870 | AN3-5A | . . Bolt (Superseded by NAS6603-4) | 2 | | X | | X | | X | X |
| 880 | NAS1149F0332P | . . Washer | 2 | | X | | X | | X | X |
| 880 | AN960-10L | . . Washer (Alternate) | 2 | | X | | X | | X | X |
| 890 | MS21044N4 | . . Nut | 1 | | X | | X | | X | X |
| 890 | AN365-428A | . . Nut (Superseded by MS21044N4) | 1 | | X | | X | | X | X |
| 900 | NAS1149F0463P | . . Washer | 2 | | X | | X | | X | X |
| 900 | AN960-416 | . . Washer (Alternate) | 2 | | X | | X | | X | X |
| 910 | 280-113032-11 | . Hinge Bracket, L/H | 1 | | X | | X | | X | X |
| -920 | 280-113032-12 | . Hinge Bracket, R/H | 1 | | X | | X | | X | X |
| 930 | 28-16210-3 | . Spacer | A/R | | X | | X | | X | X |
| -940 | 28-16211-1 | . Spacer | A/R | | X | | X | | X | X |
| 950 | NAS6604-7 | . Bolt | 1 | | X | | X | | X | X |
| 950 | AN4-7A | . Bolt (Superseded by NAS6604-7) | 1 | | X | | X | | X | X |
| 960 | 280-113036-1 | . Restraint Strap Assembly | 1 | | X | | X | | X | X |
| - | 280-113036-11 | . . Restraint Strap | 1 | | X | | X | | X | X |
| -960A | 280-113036-3 | . Restraint Strap Assembly | 1 | | X | | X | | X | X |
| - | 280-113036-13 | . . Restraint Strap | 1 | | X | | X | | X | X |
| -960B | 280-113036-5 | . Restraint Strap Assembly | 1 | | X | | X | | X | X |
| - | 280-113036-15 | . . Restraint Strap | 1 | | X | | X | | X | X |
| 970 | 280-113037-13 | . Restraint Strap Guide | 1 | | X | | X | | X | X |
| 970 | 280-113037-11 | . Restraint Strap Guide (Superseded by 280-113037-13) | 1 | | X | | X | | X | X |
| 970 | 280-113037-1 | . Restraint Strap Guide (Superseded by 280-113037-11) | 1 | | X | | X | | X | X |
| 980 | NK525-10R12 | . Screw | 2 | | X | | X | | X | X |
| 990▲ | 28-113046-3 | . Sliding Window Kit, L/H | 1 | | X | | X | | X | X |
| -1000▲ | 28-113046-4 | . Sliding Window Kit, R/H | 1 | | X | | X | | X | X |

ENSTROM F-28/280 SERIES ILLUSTRATED PARTS CATALOG

- * All hardware quantities are for one cabin door lock assembly.
- ▲ Optional equipment.

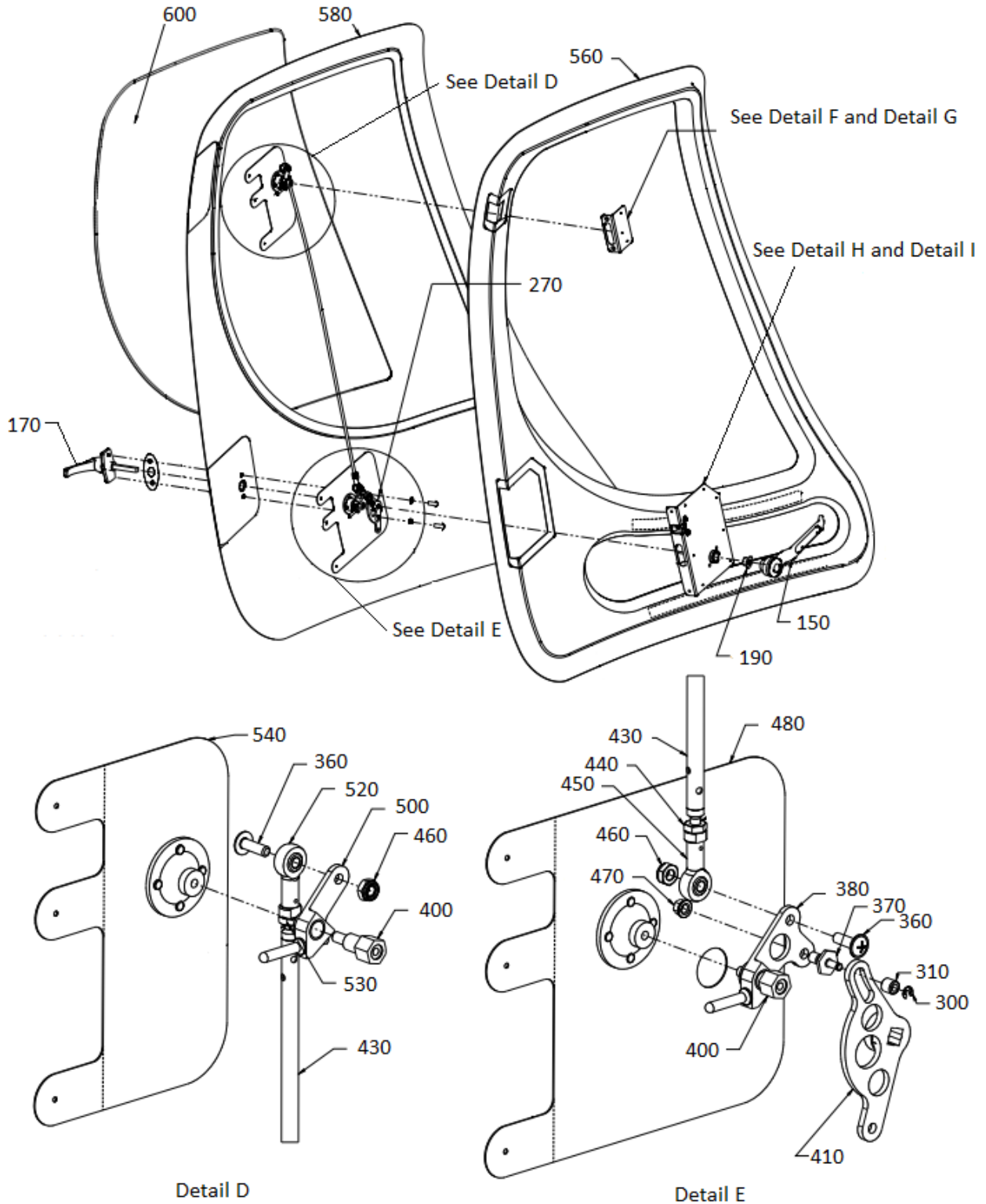
ENSTROM F-28/280 SERIES ILLUSTRATED PARTS CATALOG



Sheet 1 of 3

FIGURE 7-6. 280FX CABIN DOORS ASSEMBLY/INSTALLATION

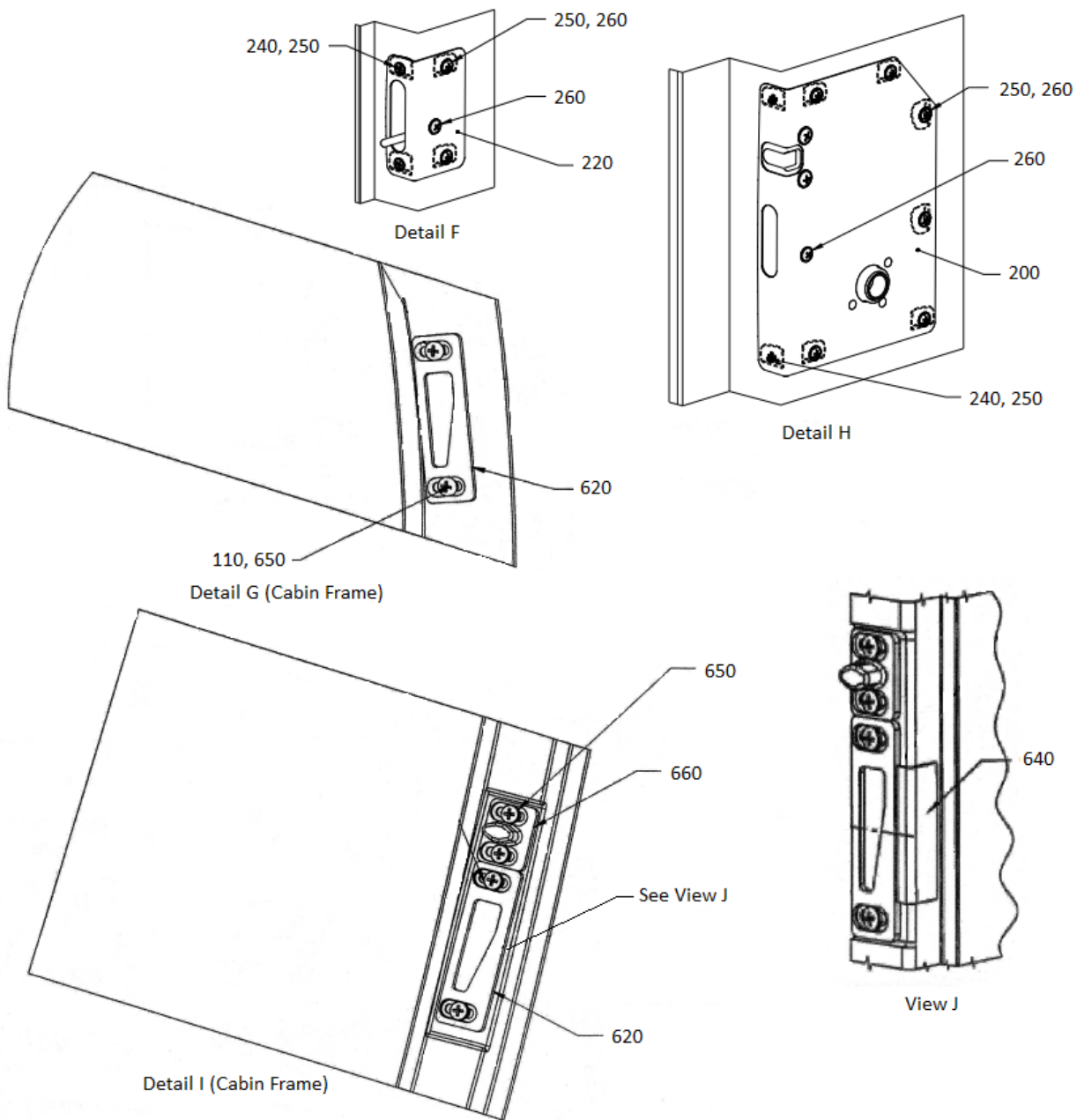
ENSTROM F-28/280 SERIES ILLUSTRATED PARTS CATALOG



Sheet 2 of 3

FIGURE 7-6. 280FX CABIN DOORS ASSEMBLY/INSTALLATION

ENSTROM F-28/280 SERIES ILLUSTRATED PARTS CATALOG



Sheet 3 of 3

FIGURE 7-6. 280FX CABIN DOORS ASSEMBLY/INSTALLATION

ENSTROM F-28/280 SERIES ILLUSTRATED PARTS CATALOG

FIGURE 7-6. 280FX CABIN DOORS ASSEMBLY/INSTALLATION

| ITEM NUMBER | PART NUMBER | DESCRIPTION | QTY PER ASSY | MODELS AFFECTED | | | | | | |
|-------------|---------------|---|--------------|-----------------|-----|-------|------|-------|------|-------|
| | | | | F-28A | 280 | F-28C | 280C | F-28F | 280F | 280FX |
| 10▲ | 28-113139-1 | Bonded Door Assy - LH | 1 | | | | | | | X |
| -20▲ | 28-113139-2 | Bonded Door Assy - RH | 1 | | | | | | | X |
| 30 | 4118278-23 | . Hinge Post | 4 | | | | | | | X |
| 40 | ECD050-11 | . Washer | A/R | | | | | | | X |
| 50 | 4118283-11 | . Hinge Bushing | 4 | | | | | | | X |
| 60 | MS20392-2C17 | . Clevis Pin | 4 | | | | | | | X |
| 70 | AN381-2-10 | . Cotter Pin | 4 | | | | | | | X |
| -75 | MS17984C305 | . Quick Release Pin (Alternate for MS20392-2C17 & AN381-2-10) | A/R | | | | | | | X |
| 80 | 4118278-21 | . Radius Block | 4 | | | | | | | X |
| 90 | MS21044N4 | . Nut | 4 | | | | | | | X |
| 100 | 4118284-13 | . Hinge Doubler | 4 | | | | | | | X |
| 110 | MS27039-1-09 | . Screw | 16 | | | | | | | X |
| 120 | NAS1149D0316H | . Washer | 12 | | | | | | | X |
| 130 | MS21042-3 | . Nut | 12 | | | | | | | X |
| 140 | MS24694-S52 | . Screw | 8 | | | | | | | X |
| 150 | 28-113122-1 | . Door Handle Assy - LH | 1 | | | | | | | X |
| -160 | 28-113122-2 | . Door Handle Assy - RH | 1 | | | | | | | X |
| 170 | 28-113122-3 | . Outside Handle Assy (LH) | 1 | | | | | | | X |
| -175 | ECD060-11 | . Handle (LH) (Superseded by 28-113122-3) | 1 | | | | | | | X |
| -180 | 28-113122-4 | . Outside Handle Assy (RH) | 1 | | | | | | | X |
| -185 | ECD060-12 | . Handle (RH) (Superseded by 28-113122-4) | 1 | | | | | | | X |
| 190 | 4118265-21 | . Bushing | 1 | | | | | | | X |
| 200 | 28-113114-1 | . Lower Door Cover Assy - LH | 1 | | | | | | | X |
| -210 | 28-113114-2 | . Lower Door Cover Assy - RH | 1 | | | | | | | X |
| 220 | 28-113118-11 | . Upper Door Cover - LH | 1 | | | | | | | X |
| -230 | 28-113118-12 | . Upper Door Cover - RH | 1 | | | | | | | X |
| 240 | MS24693-S48 | . Screw | 4 | | | | | | | X |
| 250 | CB6009CR08-1P | . Click Bond Nutplate | 12 | | | | | | | X |

ENSTROM F-28/280 SERIES ILLUSTRATED PARTS CATALOG

FIGURE 7-6. 280FX CABIN DOORS ASSEMBLY/INSTALLATION

| ITEM NUMBER | PART NUMBER | DESCRIPTION | QTY PER ASSY | MODELS AFFECTED | | | | | | |
|-------------|--------------|--------------------------------------|--------------|-----------------|-----|-------|------|-------|------|-------|
| | | | | F-28A | 280 | F-28C | 280C | F-28F | 280F | 280FX |
| 260 | AN525-832R6 | . Screw | 10 | | | | | | | X |
| 270 | MS18066-8 | . Set Screw | 1 | | | | | | | X |
| -280 | X1543HT | . Seal | A/R | | | | | | | X |
| -290 | 4119839-11 | . Placard | 1 | | | | | | | X |
| 300 | MS16633-4012 | . Retaining Ring | 1 | | | | | | | X |
| 310 | 28-113113-13 | . Cam Roller | 1 | | | | | | | X |
| 320 | 28-113135-11 | . Door Hinge - Upper LH | 1 | | | | | | | X |
| -330 | 28-113135-12 | . Door Hinge - Upper RH | 1 | | | | | | | X |
| 340 | 28-113136-11 | . Door Hinge - Lower LH | 1 | | | | | | | X |
| -350 | 28-113136-12 | . Door Hinge - Lower RH | 1 | | | | | | | X |
| 360 | AN525-10R10 | . Screw | 2 | | | | | | | X |
| 370 | 28-113113-11 | . Cam Pin & Stud | 1 | | | | | | | X |
| 380 | 28-113101-3 | . Lower Bellcrank Assy - LH | 1 | | | | | | | X |
| -390 | 28-113101-4 | . Lower Bellcrank Assy - RH | 1 | | | | | | | X |
| 400 | 28-113120-11 | . Shoulder Screw | 2 | | | | | | | X |
| 410 | 28-113112-11 | . Cam Lever Arm - LH | 1 | | | | | | | X |
| -420 | 28-113112-12 | . Cam Lever Arm - RH | 1 | | | | | | | X |
| 430 | 28-113140-1 | . Push Pull Rod Weldment | 1 | | | | | | | X |
| 440 | AN315-3L | . LH Nut | 1 | | | | | | | X |
| 450 | ALJFL3T | . LH Rod End | 1 | | | | | | | X |
| -455 | 60685K31 | . LH Rod End (Alternate for ALJFL3T) | 2 | | | | | | | X |
| 460 | MS21083N3 | . Nut | 2 | | | | | | | X |
| 470 | MS21042-3 | . Nut | 1 | | | | | | | X |
| 480 | 28-113103-3 | . Lower Doubler Assy - LH | 1 | | | | | | | X |
| -490 | 28-113103-4 | . Lower Doubler Assy -RH | 1 | | | | | | | X |
| 500 | 28-113101-1 | . Upper Bellcrank Assy - LH | 1 | | | | | | | X |
| -510 | 28-113101-2 | . Upper Bellcrank Assy - RH | 1 | | | | | | | X |

ENSTROM F-28/280 SERIES ILLUSTRATED PARTS CATALOG

FIGURE 7-6. 280FX CABIN DOORS ASSEMBLY/INSTALLATION

| ITEM NUMBER | PART NUMBER | DESCRIPTION | QTY PER ASSY | MODELS AFFECTED | | | | | | |
|-------------|--------------|-------------------------------------|--------------|-----------------|-----|-------|------|-------|------|-------|
| | | | | F-28A | 280 | F-28C | 280C | F-28F | 280F | 280FX |
| 520 | ALJF3T | . RH Rod End | 1 | | | | | | | X |
| -525 | 60685K31 | . RH Rod End (Alternate for ALJF3T) | 1 | | | | | | | X |
| 530 | AN315-3R | . RH Nut | 1 | | | | | | | X |
| 540 | 28-113103-1 | . Upper Doubler Assy - LH | 1 | | | | | | | X |
| -550 | 28-113103-2 | . Upper Doubler Assy - RH | 1 | | | | | | | X |
| 560 | 28-113125-11 | . Door Skin Doubler - LH | 1 | | | | | | | X |
| -570 | 28-113125-12 | . Door Skin Doubler - RH | 1 | | | | | | | X |
| 580 | 28-113124-11 | . Door Skin - LH | 1 | | | | | | | X |
| -590 | 28-113124-12 | . Door Skin - RH | 1 | | | | | | | X |
| 600 | 28-113134-11 | . LH Door Window | 1 | | | | | | | X |
| -610 | 28-113134-12 | . RH Door Window | 1 | | | | | | | X |
| 620 | 4118290-16 | . Strike | 2 | | | | | | | X |
| -630 | 4118290-15 | . Strike | 2 | | | | | | | X |
| 640 | 28-113129-11 | . Strike Guard | 1 | | | | | | | X |
| 650 | A10K166 | . Rivnut | 12 | | | | | | | X |
| 660 | 28-113128-11 | . Door Guide | 2 | | | | | | | X |

▲ Effectivity and eligibility 280FX S/N 2147, 2168, and subsequent.

Note: All quantities listed are per door.

ENSTROM F-28/280 SERIES ILLUSTRATED PARTS CATALOG

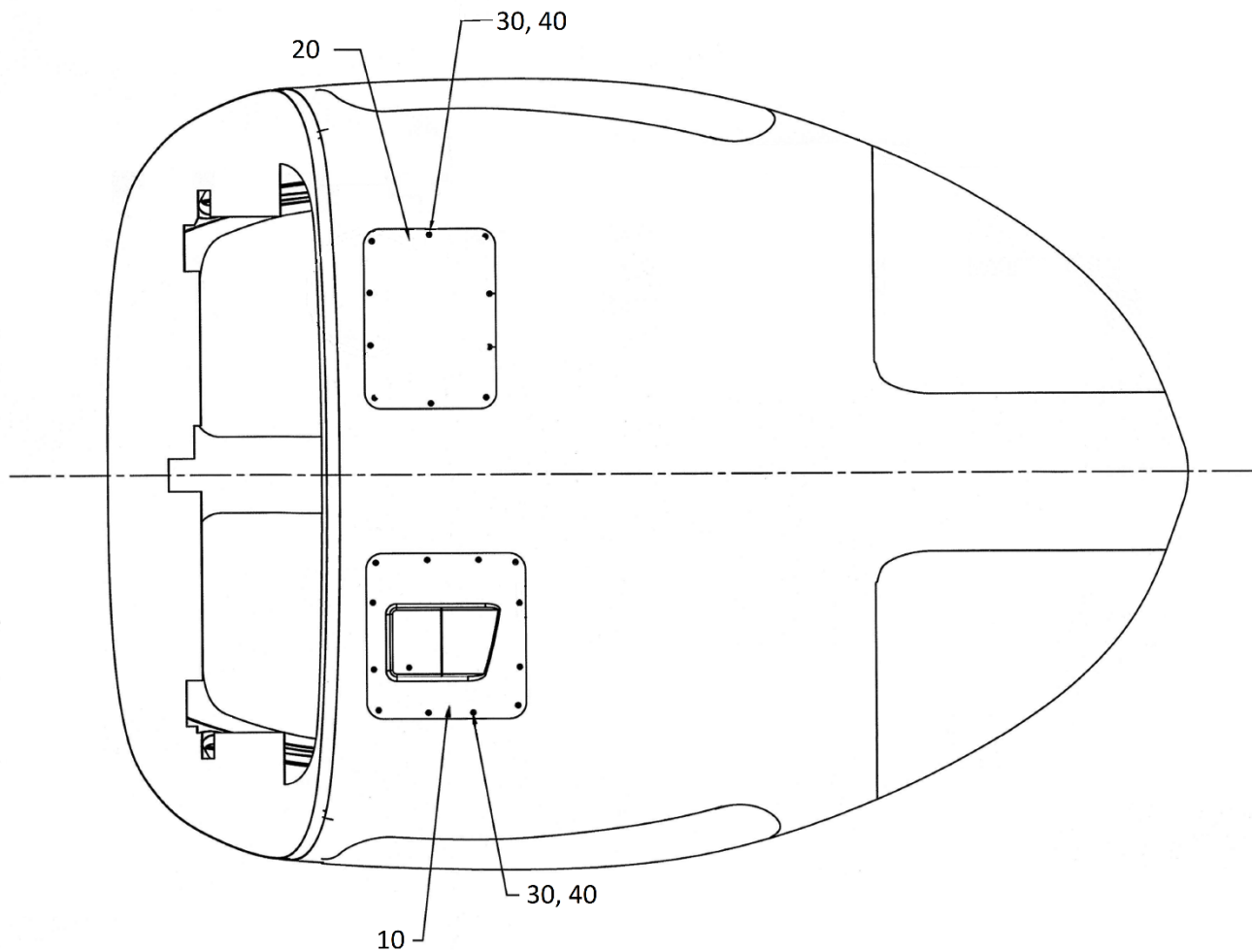


FIGURE 7-7. 280FX CABIN CLOSEOUT INSTALLATION

ENSTROM F-28/280 SERIES ILLUSTRATED PARTS CATALOG

FIGURE 7-7. 280FX CABIN CLOSEOUT INSTALLATION

| ITEM NUMBER | PART NUMBER | DESCRIPTION | QTY PER ASSY | MODELS AFFECTED | | | | | | |
|-------------|--------------|-----------------------|--------------|-----------------|-----|-------|------|-------|------|-------|
| | | | | F-28A | 280 | F-28C | 280C | F-28F | 280F | 280FX |
| -▲ | 28-113055-1 | Closeout Installation | REF | | | | | | | X |
| 10 | 28-113054-1 | . Closeout Assembly | 1 | | | | | | | X |
| 20 | 28-113054-12 | . Closeout | 1 | | | | | | | X |
| 30 | 8 X 3/8 | . Screw | 22 | | | | | | | X |
| 40 | A01787-8Z-1D | . Tinnerman Nut | 22 | | | | | | | X |

▲ Effectivity and eligibility 280FX S/N 2168 and subsequent.

ENSTROM F-28/280 SERIES ILLUSTRATED PARTS CATALOG

FIGURE 7-8. COWLING (F-28A, F-28C)

| ITEM NUMBER | PART NUMBER | DESCRIPTION | QTY PER ASSY | MODELS AFFECTED | | | | | | |
|-------------|---------------|--------------------------------------|--------------|-----------------|-----|-------|------|-------|------|-------|
| | | | | F-28A | 280 | F-28C | 280C | F-28F | 280F | 280FX |
| - | 28-11400-1 | Cowl Assembly | 1 | X | X | X | X | X | X | |
| 10 | 28-11401-3 | . Airscoop | 1 | X | | X | X | X | X | |
| 20 | 28-11402-1 | . Fairing, Tail Rotor Drive Shaft | 1 | X | X | X | X | X | X | |
| 30 | AN525-832R8 | . Screw | 24 | X | X | X | X | X | X | |
| 30 | AN526-832R8 | . Screw (Superseded by AN525-832R8) | 24 | X | X | X | X | X | X | |
| 40 | NAS1149FN816P | . Washer | 24 | X | X | X | X | X | X | |
| 40 | AN960-8L | . Washer (Alternate) | 24 | X | X | X | X | X | X | |
| 50 | MS21044N08 | . Nut | 56 | X | X | X | X | X | X | |
| 50 | AN365-832A | . Nut (Superseded by MS21044N08) | 56 | X | X | X | X | X | X | |
| 60 | 28-11420-1 | . Cowl Ring Assembly | 1 | X | | X | | | | |
| -70 | 28-11413-3 | . Support L/H | 1 | X | | X | | | | |
| 80 | 28-11413-4 | . Support R/H | 1 | X | | X | | | | |
| 90 | 28-11413-9 | . Mount, Tank | 1 | X | | X | | | | |
| -90A | 28-11413-10 | . Mount, Tank | 1 | X | | X | | | | |
| 100 | 28-11413-11 | . Mount, Cowl | 1 | X | | X | | | | |
| -100A | 28-11413-12 | . Mount, Cowl | 1 | X | | X | | | | |
| -100B | 28-11413-13 | . Mount, Cowl | 1 | X | | X | | | | |
| 110 | MS27039-0806 | . Screw | 32 | X | | X | | | | |
| 110 | AN525-832R6 | . Screw (Superseded by MS27039-0806) | 32 | X | | X | | | | |
| 120 | NAS1149FN832P | . Washer | 36 | X | | X | | | | |
| 120 | AN960-8 | . Washer (Alternate) | 36 | X | | X | | | | |
| 130 | AN536-632R6 | . Screw | 40 | X | | X | | | | |
| 140 | NAS1149FN616P | . Washer | 40 | X | | X | | | | |
| 140 | AN960-6L | . Washer (Alternate) | 40 | X | | X | | | | |
| 150 | MS21044N06 | . Nut | 40 | X | | X | | | | |
| 150 | AN365-632A | . Nut (Superseded by MS21044N06) | 40 | X | | X | | | | |

ENSTROM F-28/280 SERIES ILLUSTRATED PARTS CATALOG

FIGURE 7-8. COWLING (F-28A, F-28C)

| ITEM NUMBER | PART NUMBER | DESCRIPTION | QTY PER ASSY | MODELS AFFECTED | | | | | | |
|-------------|--------------|---------------------------|--------------|-----------------|-----|-------|------|-------|------|-------|
| | | | | F-28A | 280 | F-28C | 280C | F-28F | 280F | 280FX |
| 160 | 28-11403-1 | . Wraparound Cowl | 1 | X | | X | | | | |
| 170 | 980-003 | . Channel (X-397) | A/R | X | | X | | | | |
| 180 | AN526-832-8 | . Screw | 12 | X | | X | | | | |
| 190 | #8x1/2 | . Truss Head Screw Type B | 21 | X | | X | | | | |
| 200 | 28-11442-1 | . Door, Inspection | 1 | X | | X | | | | |
| 210 | MS20257-1 | . Hinge, Piano | 1 | X | | X | | | | |
| 220 | MS20253-1 | . Pin, Hinge | 1 | X | | X | | | | |
| 230 | 82-12-120-16 | . Stud, Wing | 4 | X | | X | | | | |
| 240 | 43-13-1-24 | . Spring, Ejector | 4 | X | | X | | | | |
| 250 | 82-32-101-20 | . Retainer, Split Ring | 4 | X | | X | | | | |
| 260 | 82-46-101-39 | . Washer, Wear | 4 | X | | X | | | | |
| -270 | 28-11405-1 | . Side Cowl, L/H Bottom | 1 | X | | X | | | | |
| 280 | 28-11405-2 | . Side Cowl, R/H Bottom | 1 | X | | X | | | | |
| 290 | AN931-12-17 | . Grommet | 5 | X | | X | | | | |
| 300 | 980-001 | . Channel (X-142) | A/R | X | | X | | | | |
| 310 | 28-11409-1 | . Cowl Panel, Bottom | 1 | X | | X | | | | |
| 320 | AN525-8R8 | . Screw | 7 | X | | X | | | | |
| 330 | AN931-10-14 | . Grommet | 2 | X | | X | | | | |
| 340 | AN931-8-13 | . Grommet | 3 | X | | X | | | | |

ENSTROM F-28/280 SERIES ILLUSTRATED PARTS CATALOG

INTENTIONALLY LEFT BLANK

ENSTROM F-28/280 SERIES ILLUSTRATED PARTS CATALOG

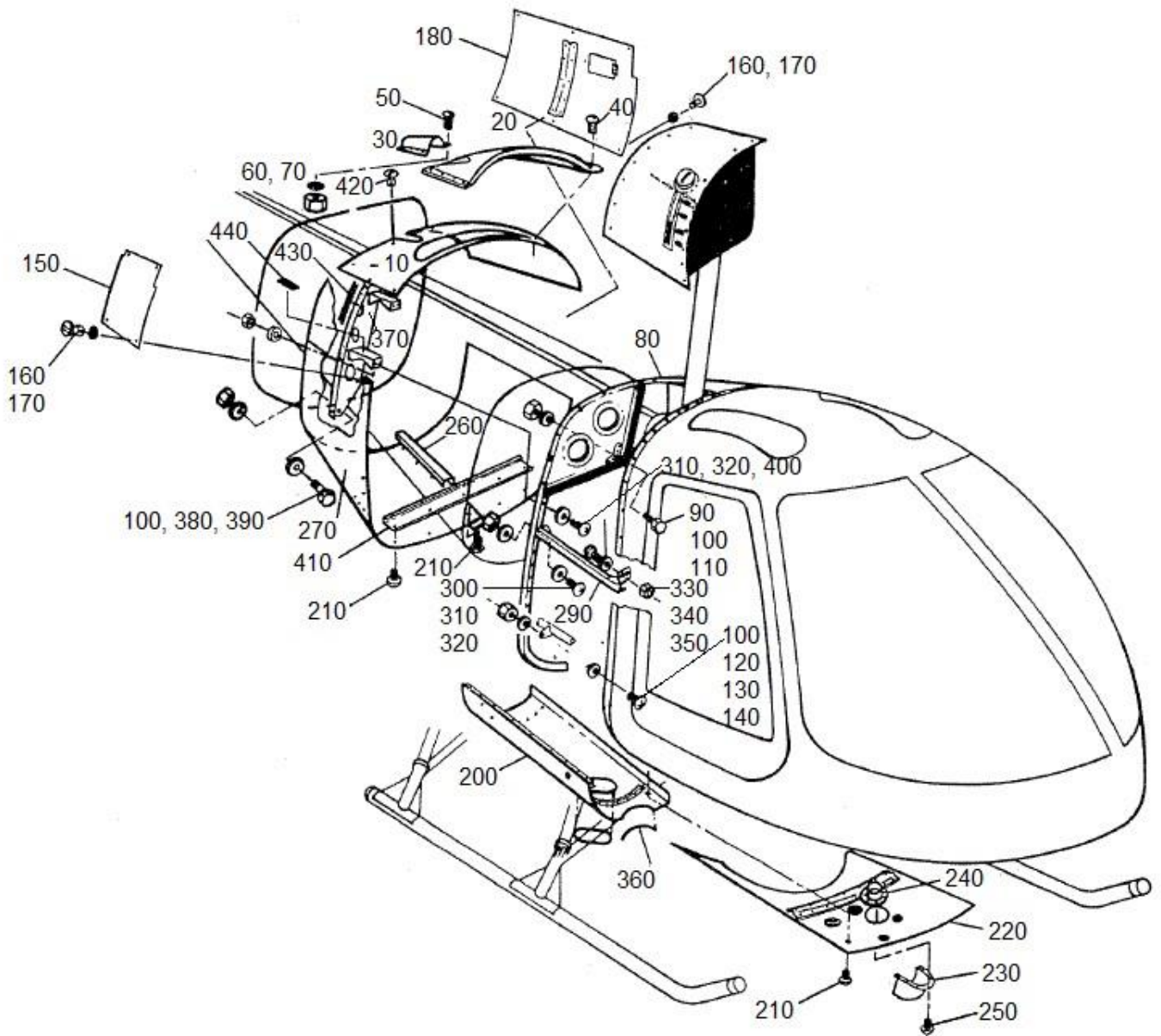


FIGURE 7-9. COWLING (280, 280C)

ENSTROM F-28/280 SERIES ILLUSTRATED PARTS CATALOG

FIGURE 7-9. COWLING (280, 280C)

| ITEM NUMBER | PART NUMBER | DESCRIPTION | QTY PER ASSY | MODELS AFFECTED | | | | | | |
|-------------|---------------|-------------------------------------|--------------|-----------------|-----|-------|------|-------|------|-------|
| | | | | F-28A | 280 | F-28C | 280C | F-28F | 280F | 280FX |
| 10 | 280-114501-1 | Upper Cowling Assembly | 1 | | X | | X | | | |
| 20* | 280-114509-1 | . Airscoop | 1 | | X | | X | | | |
| 30 | 28-11402-1 | . Fairing, Tail Rotor Drive Shaft | 1 | | X | | X | | | |
| 40 | MS20470AD3-4 | . Rivet | A/R | | X | | X | | | |
| 50 | MS35206-228 | . Screw | 5 | | X | | X | | | |
| 50 | AN526-632R6 | . Screw (Superseded by MS35206-228) | 5 | | X | | X | | | |
| 60 | NAS1149FN616P | . Washer | 5 | | X | | X | | | |
| 60 | AN960-6L | . Washer (Alternate) | 5 | | X | | X | | | |
| 70 | MS21044N06 | . Nut | 5 | | X | | X | | | |
| 70 | AN365-632A | . Nut (Superseded by MS21044N06) | 5 | | X | | X | | | |
| 80 | 28-11460-3 | . Aft Cowl Ring (F-28C-2) | 1 | | X | X | X | X | X | X |
| 90 | NAS6603-4 | . Bolt | 2 | X | X | X | X | X | X | X |
| 90 | AN3-5A | . Bolt (Superseded by NAS6603-4) | 2 | X | X | X | X | X | X | X |
| 100 | NAS1149F0332P | . Washer | A/R | X | X | X | X | X | X | X |
| 100 | AN960-10L | . Washer (Alternate) | A/R | X | X | X | X | X | X | X |
| 110 | MS21044N3 | . Nut | 2 | X | X | X | X | X | X | X |
| 110 | AN365-1032A | . Nut (Superseded by MS21044N3) | 2 | X | X | X | X | X | X | X |
| 120 | AN520-10-9 | . Screw | 2 | X | X | X | X | X | X | X |
| 130 | NAS1149F0363P | . Washer | A/R | X | X | X | X | X | X | X |
| 130 | AN960-10 | . Washer (Alternate) | A/R | X | X | X | X | X | X | X |
| 140 | MS21083N3 | . Nut | 2 | | X | | X | | | |
| 140 | AN364-1032A | . Nut (Superseded by MS21083N3) | 2 | | X | | X | | | |
| 150 | 280-114504-1 | . Step Cover Assembly | 1 | | X | | X | | | |
| 160 | AJ4-30 | . Stud | 10 | | X | | X | | | |
| 170 | GA4-250 | . Grommet | 10 | | X | | X | | | |
| 180 | 280-114502-5 | . Side Cowl Assembly | 1 | | X | | X | | | |
| -190 | 280-114503-3 | . Lower Quarter Panel, L/H | 1 | | X | | X | | | |
| 200 | 280-114503-4 | . Lower Quarter Panel, R/H | 1 | | X | | X | | | |

ENSTROM F-28/280 SERIES ILLUSTRATED PARTS CATALOG

FIGURE 7-9. COWLING (280, 280C)

| ITEM NUMBER | PART NUMBER | DESCRIPTION | QTY PER ASSY | MODELS AFFECTED | | | | | | |
|-------------|---------------|---|--------------|-----------------|-----|-------|------|-------|------|-------|
| | | | | F-28A | 280 | F-28C | 280C | F-28F | 280F | 280FX |
| 210 | MS51861-35 | . Screw | A/R | | X | | X | | | |
| 210 | AN530-8R8 | . Screw (Superseded by MS51861-35) | A/R | | X | | X | | | |
| 220 | 280-114503-1 | . Lower Center Cowl | 1 | | X | | X | | | |
| 230 | 28-12706-11 | . Hot Air Deflector | 1 | | X | | X | | | |
| 230 | 28-12706-1 | . Hot Air Deflector (Replaced by 28-12706-11) | 1 | | X | | X | | | |
| 240 | 28-12305-1 | . Stub | 1 | | X | | X | | | |
| 250 | MS20470AD4-4 | . Rivet | A/R | | X | | X | | | |
| 260 | 280-114503-5 | . Aft Cowl Assembly, L/H | 1 | | X | | X | | | |
| 270 | 280-114503-6 | . Aft Cowl Assembly, R/H | 1 | | X | | X | | | |
| -280 | 280-114500-17 | . Channel, L/H | 1 | | X | | X | | | |
| 290 | 280-114500-18 | . Channel, R/H | 1 | | X | | X | | | |
| 300 | MS35206-245 | . Screw | 4 | | X | | X | | | |
| 300 | AN515-8R8 | . Screw (Superseded by MS35206-245) | 4 | | X | X | X | X | X | X |
| 310 | NAS1149FN816P | . Washer | 26 | | X | X | X | X | X | X |
| 310 | AN960-8L | . Washer (Alternate) | 26 | | X | X | X | X | X | X |
| 320 | MS21044N08 | . Nut | 16 | | X | X | X | X | X | X |
| 320 | AN365-832A | . Nut (Superseded by MS21044N08) | 16 | | X | X | X | X | X | X |
| 330 | AN525-1032-8 | . Screw | 2 | | X | X | X | X | X | X |
| 340 | NAS1149D0363J | . Washer | 2 | | X | X | X | X | X | X |
| 340 | AN960PD10 | . Washer (Alternate) | 2 | | X | X | X | X | X | X |
| 350 | MS21044N3 | . Nut | 4 | | X | X | X | X | X | X |
| 350 | AN365-1032A | . Nut (Superseded by MS21044N3) | 4 | | X | X | X | X | X | X |
| - | AN525-8R7 | . Bolt | 2 | | X | X | X | X | X | X |
| 360 | 980-001 | . Channel (X-142) | A/R | | X | X | X | X | X | X |
| 370** | 280-114505-2 | . Step Assembly Cowl | 1 | | X | X | X | X | X | X |
| 380 | NAS66032 | . Bolt | 2 | | X | X | X | X | X | X |

ENSTROM F-28/280 SERIES ILLUSTRATED PARTS CATALOG

FIGURE 7-9. COWLING (280, 280C)

| ITEM NUMBER | PART NUMBER | DESCRIPTION | QTY PER ASSY | MODELS AFFECTED | | | | | | |
|-------------|---------------|---|--------------|-----------------|-----|-------|------|-------|------|-------|
| | | | | F-28A | 280 | F-28C | 280C | F-28F | 280F | 280FX |
| 380 | AN3-4A | . Bolt (Superseded by NAS66032) | 2 | | X | X | X | X | X | X |
| 390 | AN364-W33A | . Nut | 2 | | X | X | X | X | X | X |
| 400 | MS35206-245 | . Screw | 10 | | X | X | X | X | X | X |
| 400 | AN515-8R8 | . Screw (Superseded by MS35206-245) | 10 | | X | X | X | X | X | X |
| 410 | 280-114508-1 | . Aft Cowl Support | 1 | | X | X | X | X | X | X |
| 410** | 280-114508-11 | . Aft Cowl Support (Replaced by 280-114508-1) | 1 | | X | X | X | X | X | X |
| 420 | 82-11-120-16 | . Stud | 4 | | X | X | X | X | X | X |
| 430 | #4316 | . 1/16" x 3/4" Tape | A/R | | X | X | X | X | X | X |
| 440 | 28-17006-13 | . Non-Slip Surface Tape | 2 | | X | X | X | X | X | X |

* Early model 280C.

** Late model F-28C-2.

ENSTROM F-28/280 SERIES ILLUSTRATED PARTS CATALOG

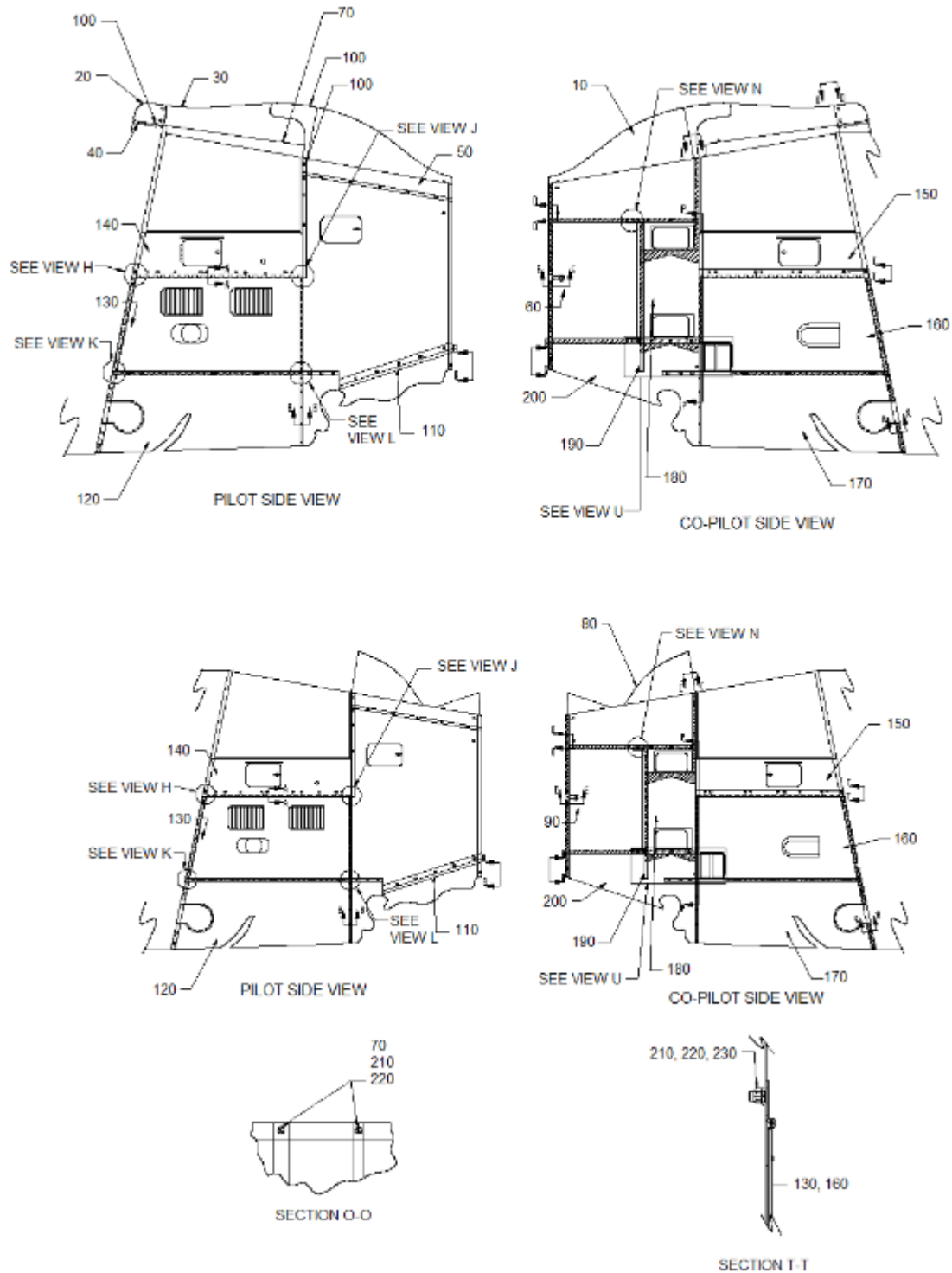
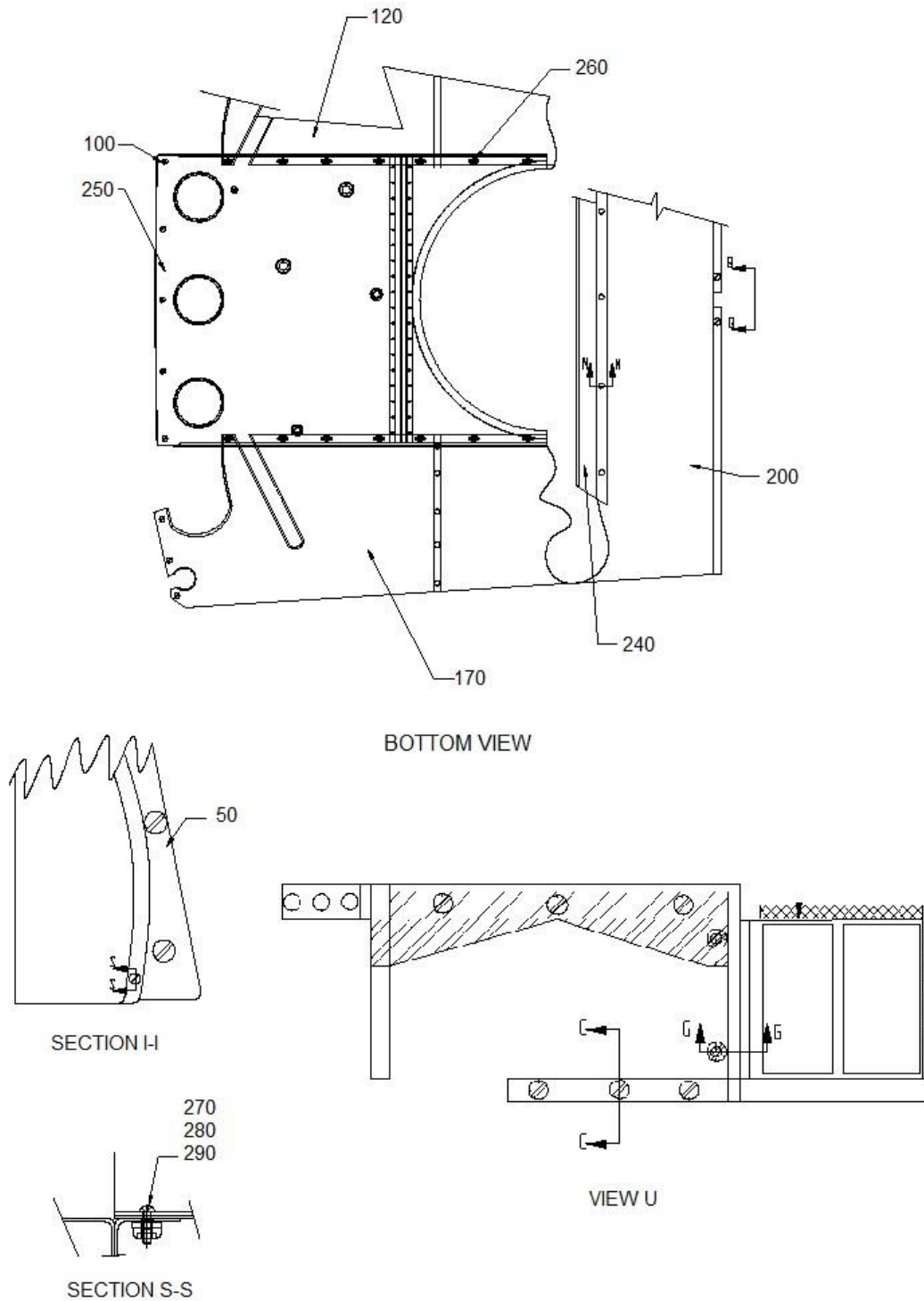


FIGURE 7-10. COWLING (F-28F, 280FX)

ENSTROM F-28/280 SERIES ILLUSTRATED PARTS CATALOG



Sheet 2 of 4

FIGURE 7-10. COWLING (F-28F, 280FX)

ENSTROM F-28/280 SERIES ILLUSTRATED PARTS CATALOG

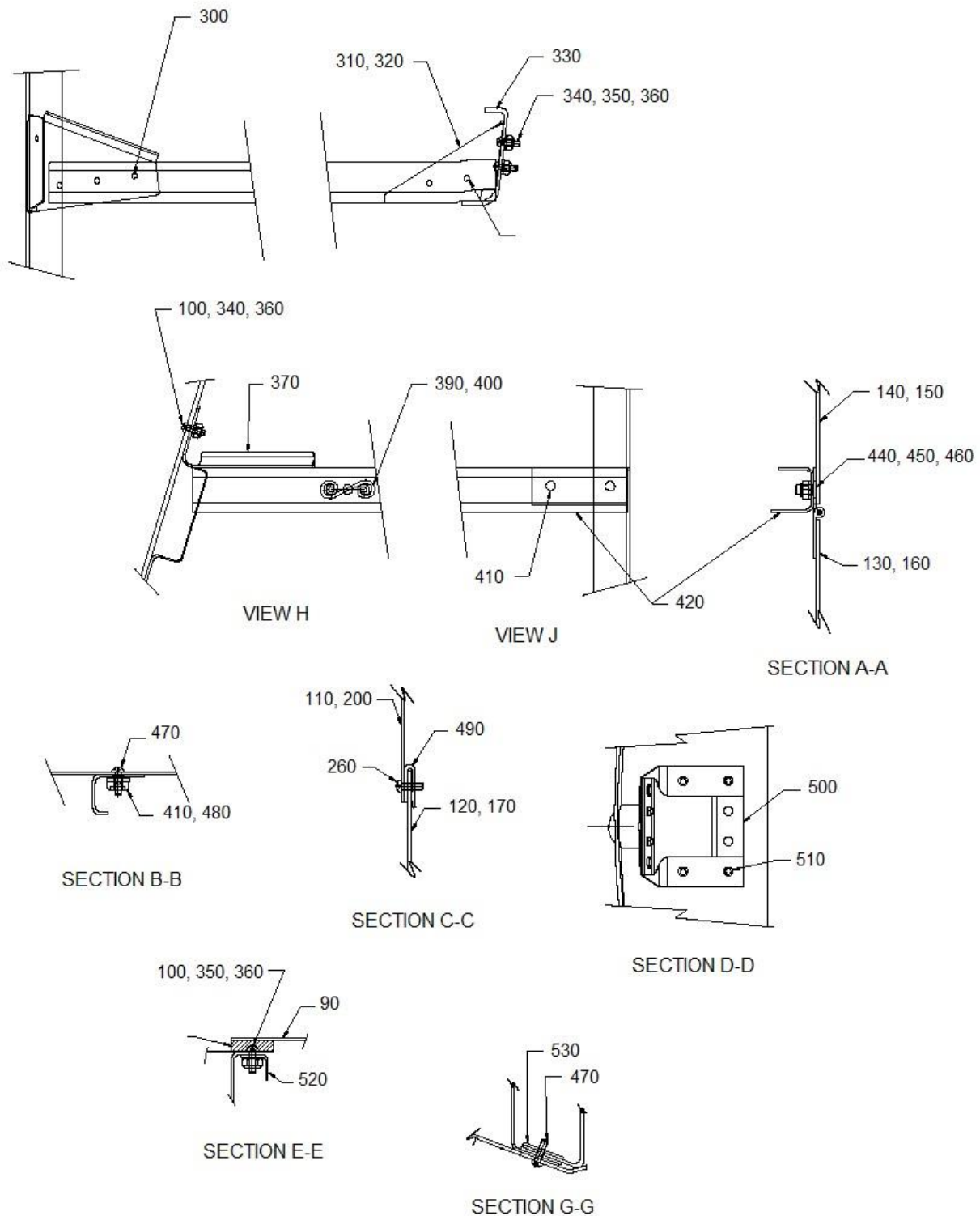
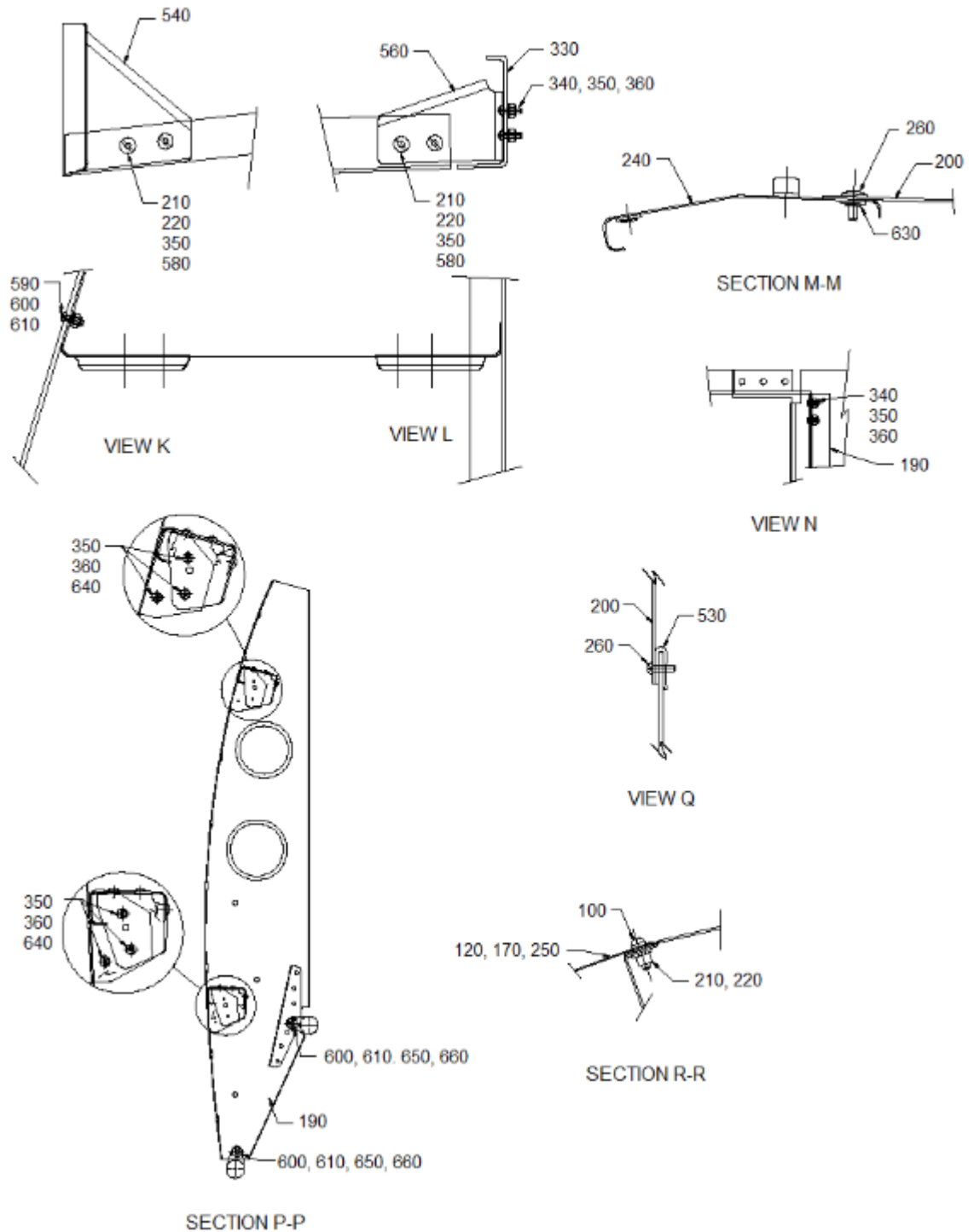


FIGURE 7-10. COWLING (F-28F, 280FX)

ENSTROM F-28/280 SERIES ILLUSTRATED PARTS CATALOG



Sheet 4 of 4

FIGURE 7-10. COWLING (F-28F, 280FX)

ENSTROM F-28/280 SERIES ILLUSTRATED PARTS CATALOG

FIGURE 7-10. COWLING (F-28F, 280FX)

| ITEM NUMBER | PART NUMBER | DESCRIPTION | QTY PER ASSY | MODELS AFFECTED | | | | | | |
|-------------|--------------|--------------------------------------|--------------|-----------------|-----|-------|------|-------|------|-------|
| | | | | F-28A | 280 | F-28C | 280C | F-28F | 280F | 280FX |
| —* | 28-114014-5 | Cowl Installation | REF | | | | | | | X |
| 10 | 28-114019-3 | . Top Cowl & Air Scoop Assembly | 1 | | | | | | | X |
| 20 | 28-114023-11 | . Airscoop | 1 | | | | | | | X |
| 30 | 28-114024-1 | . Airduct | 1 | | | | | | | X |
| 40 | 28-114026-3 | . Nutplate Assembly | 1 | | | | | | | X |
| 50 | 28-114022-1 | . Panel Assembly | 1 | | | | | | | X |
| 60 | 280-114507-3 | . Baggage Door Assembly | 1 | | | | | | | X |
| 70 | AN525-832R10 | . Screw | 4 | | | | | | | X |
| —** | 28-114014-9 | Cowl Installation | REF | | | | | X | | |
| 80 | 28-114019-5 | . Top Cowl & Air Scoop Assembly | 1 | | | | | X | | |
| 90 | 280-114507-1 | . Baggage Door Assembly | 1 | | | | | X | | |
| 100▲ | AN525-832R8 | . Screw | 15 | | | | | X | | X |
| 110 | 28-114011-5 | . Side Cowl Assembly | 1 | | | | | X | | X |
| 120 | 28-114015-1 | . Bottom Left Side Cowling Assembly | 1 | | | | | X | | X |
| 130 | 28-114017-1 | . Left Side Cowl Assembly | 1 | | | | | X | | X |
| 140 | 280-114502-3 | . Left Upper Panel Assembly | 1 | | | | | X | | X |
| 150 | 280-114502-4 | . Right Upper Panel Assembly | 1 | | | | | X | | X |
| 160 | 28-114018-1 | . Right Side Cowl Assembly | 1 | | | | | X | | X |
| 170 | 28-114015-2 | . Bottom Right Side Cowling Assembly | 1 | | | | | X | | X |
| 180 | 28-114013-3 | . Step Panel Assembly | 1 | | | | | X | | X |
| 190 | 280-114505-2 | . Step Assembly | 1 | | | | | X | | X |
| 200 | 28-114012-1 | . Cowl, Lower Panel Assembly | 1 | | | | | X | | X |
| 210◆ | MS35333-40 | . Lock Washer | 21 | | | | | X | | X |
| 220◆◇ | S8P-150 | . Plus Nut | 21 | | | | | X | | X |
| 230 | MS24693-S51 | . Screw | 2 | | | | | X | | X |
| 240 | 280-114508-1 | . Aft Cowl Support Assembly | 1 | | | | | X | | X |
| 250 | 28-114016-7 | . Center Skin Lower Assembly | 1 | | | | | X | | X |
| 260 | 8 X 1/2 | . Screw | 41 | | | | | X | | X |

ENSTROM F-28/280 SERIES ILLUSTRATED PARTS CATALOG

FIGURE 7-10. COWLING (F-28F, 280FX)

| ITEM NUMBER | PART NUMBER | DESCRIPTION | QTY PER ASSY | MODELS AFFECTED | | | | | | |
|-------------|----------------|---|--------------|-----------------|-----|-------|------|-------|------|-------|
| | | | | F-28A | 280 | F-28C | 280C | F-28F | 280F | 280FX |
| 270 | AN520-832R8 | . Screw | 2 | | | | | X | | X |
| 280 | MS20426AD3-5 | . Rivet | 2 | | | | | X | | X |
| 290 | MS21080-08K | . Nutplate | 1 | | | | | X | | X |
| 300 | MS20470AD4-3 | . Rivet | 10 | | | | | X | | X |
| 310 | 28-11413-5 | . Left Aft Attaching Bracket | 1 | | | | | X | | X |
| -320 | 28-11413-6 | . Right Aft Attaching Bracket | 1 | | | | | X | | X |
| 330 | 28-11460-1 | . Aft Cowl Ring Assembly and Installation | 1 | | | | | X | | X |
| 340 | MS35206-244 | . Screw | 12 | | | | | X | | X |
| 350 | NAS1149FN816P | . Washer | 44 | | | | | X | | X |
| 360 | MS21044N08 | . Nut | 22 | | | | | X | | X |
| 370 | 280-114500-19 | . Clip | 1 | | | | | X | | X |
| -380 | 280-114500-20 | . Clip | 1 | | | | | X | | X |
| 390 | 1219-4200-Z3Y | . Spring | 8 | | | | | X | | X |
| 400‡ | MS20426A3-4 | . Rivet | 16 | | | | | X | | X |
| 410 | MS20426AD3-4 | . Rivet | 16 | | | | | X | | X |
| 420 | 280-114500-17 | . Channel | 1 | | | | | X | | X |
| -430 | 280-114500-18 | . Channel | 1 | | | | | X | | X |
| 440 | MS24693-S25 | . Screw | 12 | | | | | X | | X |
| 450 | NAS1149FN616P | . Washer | 1 | | | | | X | | X |
| 460 | MS21044N06 | . Nut | 12 | | | | | X | | X |
| 470 | 8 X 1/2 | . Screw | 41 | | | | | X | | X |
| 480 | A06191-8Z-1D | . Tinnerman Nut | 6 | | | | | X | | X |
| 490 | A01787-8Z-1D | . Tinnerman Nut | 6 | | | | | X | | X |
| 500 | 280-114501-5 | . Vibration Mount Assembly | 5 | | | | | X | | X |
| 510 | MS20470AD4-3.5 | . Rivet | 20 | | | | | X | | X |
| 520 | 280-114500-13 | . Catch | 1 | | | | | X | | X |
| 530 | A01789-8Z-1D | . Tinnerman Nut | 6 | | | | | X | | X |
| 540 | 280-114500-21 | . Bracket | 1 | | | | | X | | X |

ENSTROM F-28/280 SERIES ILLUSTRATED PARTS CATALOG

FIGURE 7-10. COWLING (F-28F, 280FX)

| ITEM NUMBER | PART NUMBER | DESCRIPTION | QTY PER ASSY | MODELS AFFECTED | | | | | | |
|-------------|---------------|-----------------|--------------|-----------------|-----|-------|------|-------|------|-------|
| | | | | F-28A | 280 | F-28C | 280C | F-28F | 280F | 280FX |
| -550 | 280-114500-22 | . Bracket | 1 | | | | | X | | X |
| 560 | 280-114500-23 | . Bracket | 1 | | | | | X | | X |
| -570 | 280-114500-24 | . Bracket | 1 | | | | | X | | X |
| 580 | MS35206-246 | . Screw | 8 | | | | | X | | X |
| 590 | AN525-10R8 | . Screw | 2 | | | | | X | | X |
| 600 | NAS1149F0332P | . Washer | 6 | | | | | X | | X |
| 610 | MS21044N3 | . Nut | 6 | | | | | X | | X |
| -620 | AN3-6A | . Bolt | 2 | | | | | X | | X |
| 630 | A06195-8Z-1D | . Tinnerman Nut | 9 | | | | | X | | X |
| 640 | MS35206-245 | . Screw | 6 | | | | | X | | X |
| 650 | AN3-4A | . Bolt | 2 | | | | | X | | X |
| 660 | NAS1149F0363P | . Washer | 2 | | | | | X | | X |

* Effectivity 280FX S/N 2172 and subsequent; eligibility 280FX S/N 2001 and subsequent.

** Effectivity F-28F S/N 833 and subsequent; eligibility F-28F S/N 509 and subsequent.

▲ Install 13 additional screws into 28-114014-5.

◆ Install 2 additional lock washers and plus nuts into 28-114014-5.

‡ CRR264SS-3-02 rivet with NAS1149FN316P washer is an acceptable alternate.

◇ In Section R-R and T-T, S8P-270 is an acceptable alternate to S8P-150.

ENSTROM F-28/280 SERIES ILLUSTRATED PARTS CATALOG

INTENTIONALLY LEFT BLANK

ENSTROM F-28/280 SERIES ILLUSTRATED PARTS CATALOG

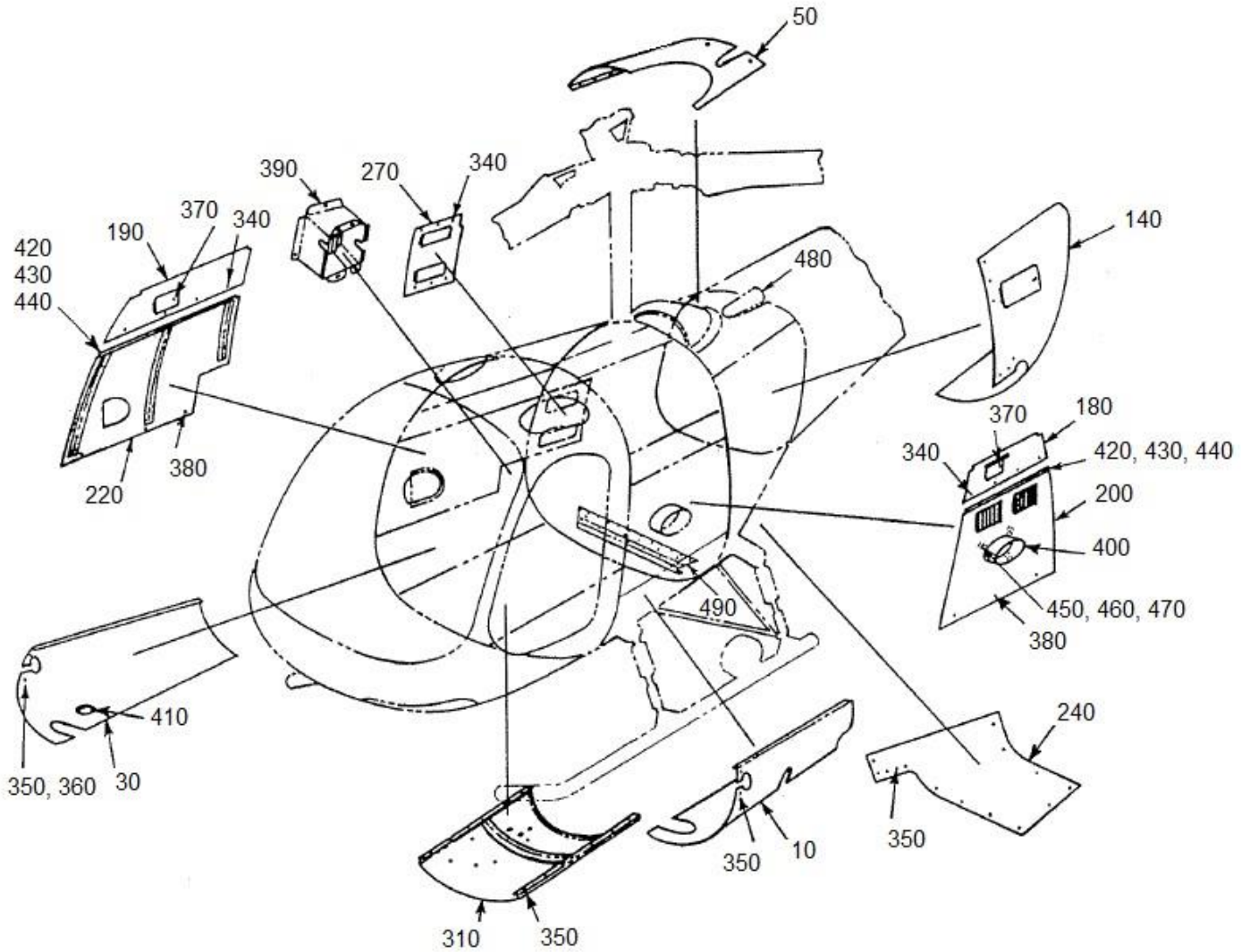


FIGURE 7-11. ENGINE COMPARTMENT ENCLOSURES

ENSTROM F-28/280 SERIES ILLUSTRATED PARTS CATALOG

FIGURE 7-11. ENGINE COMPARTMENT ENCLOSURES

| ITEM NUMBER | PART NUMBER | DESCRIPTION | QTY PER ASSY | MODELS AFFECTED | | | | | | |
|-------------|--------------|--------------------------------------|--------------|-----------------|-----|-------|------|-------|------|-------|
| | | | | F-28A | 280 | F-28C | 280C | F-28F | 280F | 280FX |
| - | 28-114014-1 | Cowl Installation | REF | | | X | X | X | X | |
| -* | 28-114014-3 | Cowl Installation | REF | | | | | | | X |
| -◇ | 28-114014-5 | Cowl Installation | REF | | | | | | | X |
| -‡ | 28-114014-7 | Cowl Installation | REF | | | | | X | | |
| -▲ | 28-114014-9 | Cowl Installation | REF | | | | | X | | |
| 10 | 28-114015-1 | . Bottom Left Side Cowling Assembly | 1 | | | X | X | X | X | X |
| -20 | 280-114503-3 | . Bottom Left Side Cowling | 1 | | X | | | | | |
| 30 | 28-114015-2 | . Bottom Right Side Cowling Assembly | 1 | | | X | X | X | X | X |
| -40 | 280-114503-4 | . Bottom Right Side Cowling | 1 | | X | | | | | |
| 50 | 28-114010-11 | . Top Skin | 1 | | | X | X | X | X | |
| -60 | 28-114010-12 | . Channel | 1 | | X | X | X | X | X | |
| -70 | 28-114501-1 | . Top Skin | 1 | | X | | | | | |
| -80 | 28-114509 | . Air Scoop | 1 | | X | | | | | |
| -90 | 28-11401-3 | . Air Scoop | 1 | | | X | X | X | X | |
| -100 | 28-114019-3 | . Top Cowl and Air Scoop Assembly | 1 | | | | | | | X |
| -110 | 28-114019-11 | . . Top Skin | 1 | | | | | | | X |
| -120 | 28-114025-1 | . . Air Scoop Aft | 1 | | | | | | | X |
| -130 | 28-114019-13 | . . Channel | 1 | | | | | | | X |
| 140 | 28-114011-5 | . Side Cowl Assembly | 1 | | | | | X | | X |
| -150 | 28-114011-17 | . . Side Cowl | 1 | | X | X | X | X | X | X |
| -160 | 28-114011-13 | . . Stiffener | 1 | | | X | X | X | X | X |
| -170 | 28-114011-15 | . Aft Side Cowl | 1 | | | | | | | X |
| 180● | 280-114502-3 | . Left Upper Panel Assembly | 1 | | X | X | X | X | X | X |
| 190● | 280-114502-4 | . Right Upper Panel Assembly | 1 | | X | X | X | X | X | X |
| 200 | 28-114017-1 | . Left Side Cowl Assembly | 1 | | | X | X | X | X | X |
| -210 | 280-114502-1 | . Left Side Cowl Assembly | 1 | | X | | | | | |
| 220 | 28-114018-1 | . Right Side Cowl Assembly | 1 | | | X | X | X | X | X |
| -230 | 28-114002-3 | . Right Side Cowl Assembly | 1 | | X | | | | | |

ENSTROM F-28/280 SERIES ILLUSTRATED PARTS CATALOG

FIGURE 7-11. ENGINE COMPARTMENT ENCLOSURES

| ITEM NUMBER | PART NUMBER | DESCRIPTION | QTY PER ASSY | MODELS AFFECTED | | | | | | |
|-------------|--------------|--|--------------|-----------------|-----|-------|------|-------|------|-------|
| | | | | F-28A | 280 | F-28C | 280C | F-28F | 280F | 280FX |
| 240● | 28-114012-11 | . Lower Panel Cowl | 1 | | | X | X | X | X | X |
| -250 | 280-114503-5 | . Aft Bottom Cowl, L/H | 1 | | X | | | | | |
| -260 | 280-114503-6 | . Aft Bottom Cowl, R/H | 1 | | X | | | | | |
| 270 | 28-114013-3 | . Step Panel Assembly | 1 | | X | X | X | X | X | X |
| -280 | 28-114013-17 | . . Step Panel | 1 | | X | X | X | X | X | X |
| -280 | 28-114013-11 | . . Step Panel (Replaced by 28-114013-17) | 1 | | X | X | X | X | X | X |
| -290 | 28-114013-12 | . . Shim | 2 | | X | X | X | X | X | X |
| -300 | 28-114013-13 | . . Door | 2 | | X | X | X | X | X | X |
| 310 | 28-114016-7 | . Center Skin Lower Assembly | 1 | | | X | X | X | X | X |
| 310 | 28-114016-1 | . Lower Center Cowl (Replaced by 28-14016-7) | 1 | | | X | X | X | X | X |
| -320 | 28-114016-3 | . Bottom Center Cowl | 1 | | | | | X | | |
| -330 | 280-114503-1 | . Bottom Center Cowl | 1 | | X | | | | | |
| 340 | 82-11-120-16 | . Stud | A/R | | | X | X | X | X | X |
| 350 | NK-525-8R8 | . Screw | A/R | | | X | X | X | X | X |
| 360 | 1/2 X 8R | . Screw | A/R | | | X | X | X | X | X |
| 370 | 82-12-120-16 | . Stud | A/R | | | X | X | X | X | X |
| 380 | 85-140-16 | . Stud | A/R | | | X | X | X | X | X |
| 390 | 280-126003-1 | . Duct Assembly - Exit Oil Cooler | 1 | | X | X | X | X | X | X |
| 400 | 28-114003-3 | . Exhaust Outlet Shield Assembly | 1 | | X | X | X | X | X | X |
| 400 | 28-114003-1 | . Exhaust Outlet Shield Assembly (Replaced by 28-114003-3) | 1 | | X | X | X | X | X | X |
| 410△ | GS-3 | . Grommet | A/R | | | X | X | X | X | X |
| 420 | MS24693-S25 | . Screw | A/R | | | X | X | X | X | X |
| 420 | AN507-632R5 | . Screw (Superseded by MS24693-S25) | A/R | | | X | X | X | X | X |
| 430 | AN960PD6L | . Washer | A/R | | | X | X | X | X | X |
| 440 | MS21083N06 | . Lock Nut | A/R | | | X | X | X | X | X |
| 440 | AN364-632A | . Lock Nut (Superseded by MS21083N06) | A/R | | | X | X | X | X | X |
| 450 | MS27039-0807 | . Screw | 3 | | | X | X | X | X | X |

ENSTROM F-28/280 SERIES ILLUSTRATED PARTS CATALOG

FIGURE 7-11. ENGINE COMPARTMENT ENCLOSURES

| ITEM NUMBER | PART NUMBER | DESCRIPTION | QTY PER ASSY | MODELS AFFECTED | | | | | | |
|-------------|---------------|---|--------------|-----------------|-----|-------|------|-------|------|-------|
| | | | | F-28A | 280 | F-28C | 280C | F-28F | 280F | 280FX |
| 450 | AN525-832R7 | . Screw (Superseded by MS27039-0807) | 3 | | | X | X | X | X | X |
| 460 | NAS1149FN816P | . Washer | 3 | | | X | X | X | X | X |
| 460 | AN960-8L | . Washer (Alternate) | 3 | | | X | X | X | X | X |
| 470 | MS21083N08 | . Lock Nut | 3 | | | X | X | X | X | X |
| 470 | AN364-832A | . Lock Nut (Superseded by MS21083N08) | 3 | | | X | X | X | X | X |
| 480 | 28-11402-1 | . Tail Rotor Shaft Fairing | 1 | | X | X | X | X | X | |
| 490 | 280-114508-1 | . Support Lower Cowl | 1 | | X | X | X | X | X | X |
| 490 | 280-114508-11 | . Support Lower Cowl (Replaced by 280-114508-1) | 1 | | X | X | X | X | X | X |

* Effectivity 280FX S/N 2001.

◇ Effectivity 280FX S/N 2172 and subsequent. Eligibility 280FX S/N 2001 and subsequent.

‡ Effectivity F-28F S/N 745 and subsequent.

▲ Effectivity F-28F S/N 833 and subsequent. Eligibility F-28F S/N 509 and subsequent.

● Used on F-28C-2 models.

△ Used on late model aircraft with relocated fuel strainer.

ENSTROM F-28/280 SERIES ILLUSTRATED PARTS CATALOG

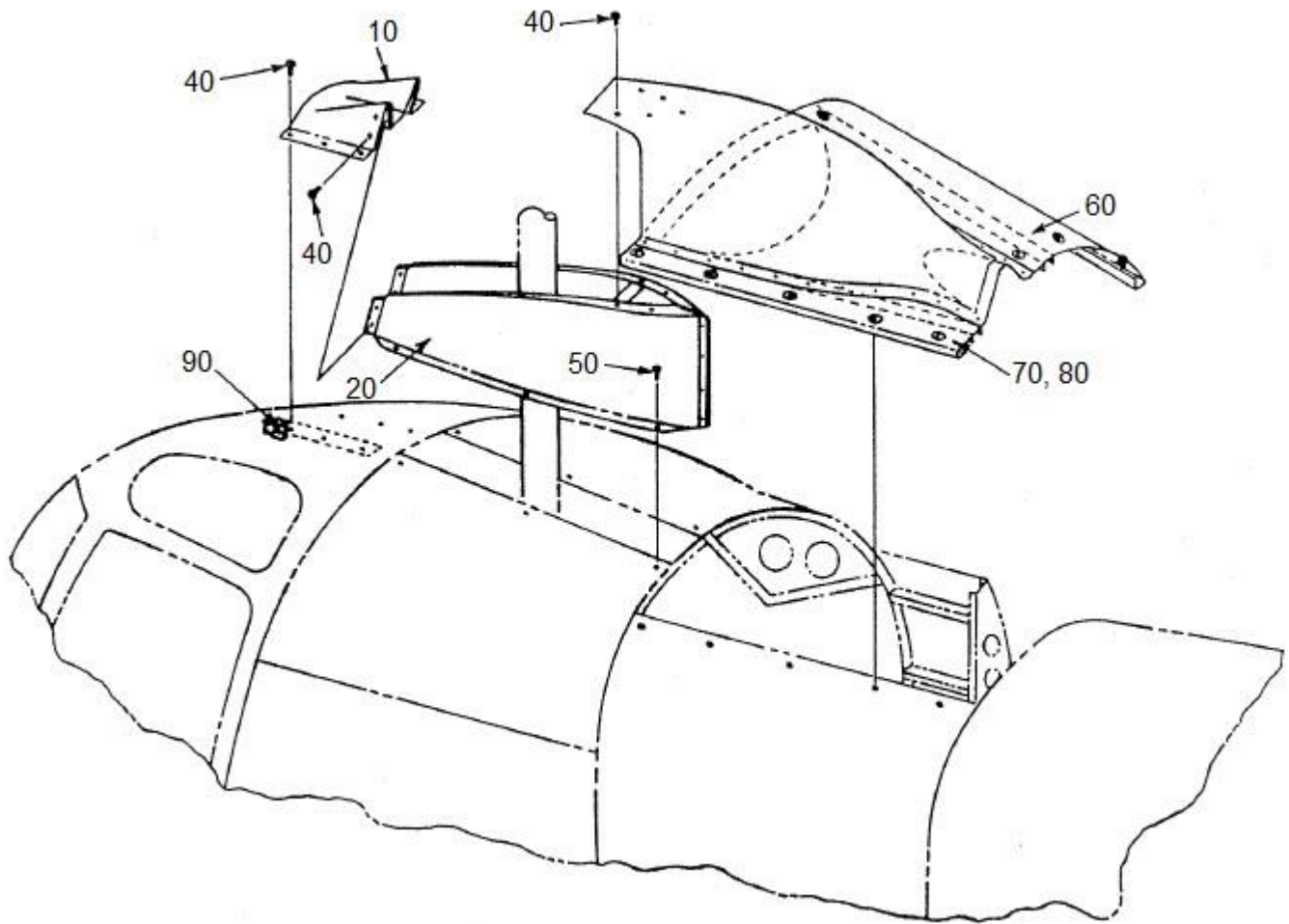


FIGURE 7-12. THREE-PIECE AIRSCOOP

ENSTROM F-28/280 SERIES ILLUSTRATED PARTS CATALOG

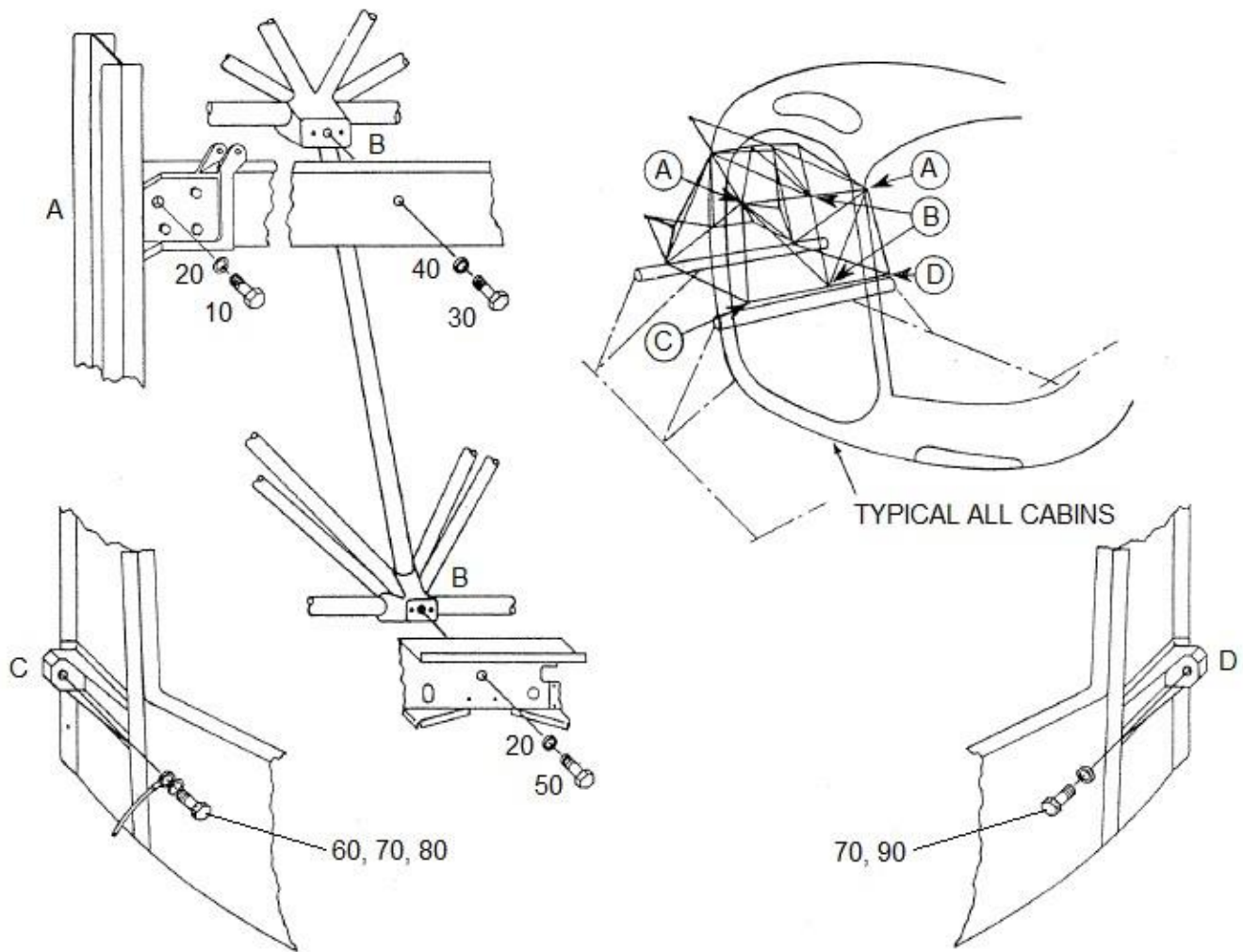
FIGURE 7-12. THREE-PIECE AIRSCOOP

| ITEM NUMBER | PART NUMBER | DESCRIPTION | QTY PER ASSY | MODELS AFFECTED | | | | | | |
|-------------|--------------|--------------------------------------|--------------|-----------------|-----|-------|------|-------|------|-------|
| | | | | F-28A | 280 | F-28C | 280C | F-28F | 280F | 280FX |
| – | 28-114014-5 | Cowl Installation | REF | | | | | | | X |
| 10 | 28-114023-11 | . Airscoop | 1 | | | | | | | X |
| – | 28-114024-1 | . Airduct | 1 | | | | | | | X |
| 20 | 28-114024-11 | . . Center Airduct Panel, L/H | 1 | | | | | | | X |
| –30 | 28-114024-12 | . . Center Airduct Panel, R/H | 1 | | | | | | | X |
| 40 | AN525-832R8 | . Screw | 19 | | | | | | | X |
| 40 | AN526-832R8 | . Screw (Superseded by AN525-832R8) | 19 | | | | | | | X |
| 50 | AN525-832R10 | . Screw | 4 | | | | | | | X |
| 50 | AN526-832R10 | . Screw (Superseded by AN525-832R10) | 4 | | | | | | | X |
| 60** | 28-114022-1 | . Panel Assembly, R/H | 1 | | | | | | | X |
| – | 28-114019-3 | . Top Cowl & Air Scoop Assembly | 1 | | | | | | | X |
| 70* | 28-114019-15 | . . Cowling Top | 1 | | | | | | | X |
| 80** | 28-114019-11 | . . Top Panel | 1 | | | | | | | X |
| 90 | 28-114026-3 | . Nutplate Assembly | 2 | | | | | | | X |

* Effectivity 280FX S/N 2005 and subsequent.

** Effectivity 280FX S/N 2001 through 2004.

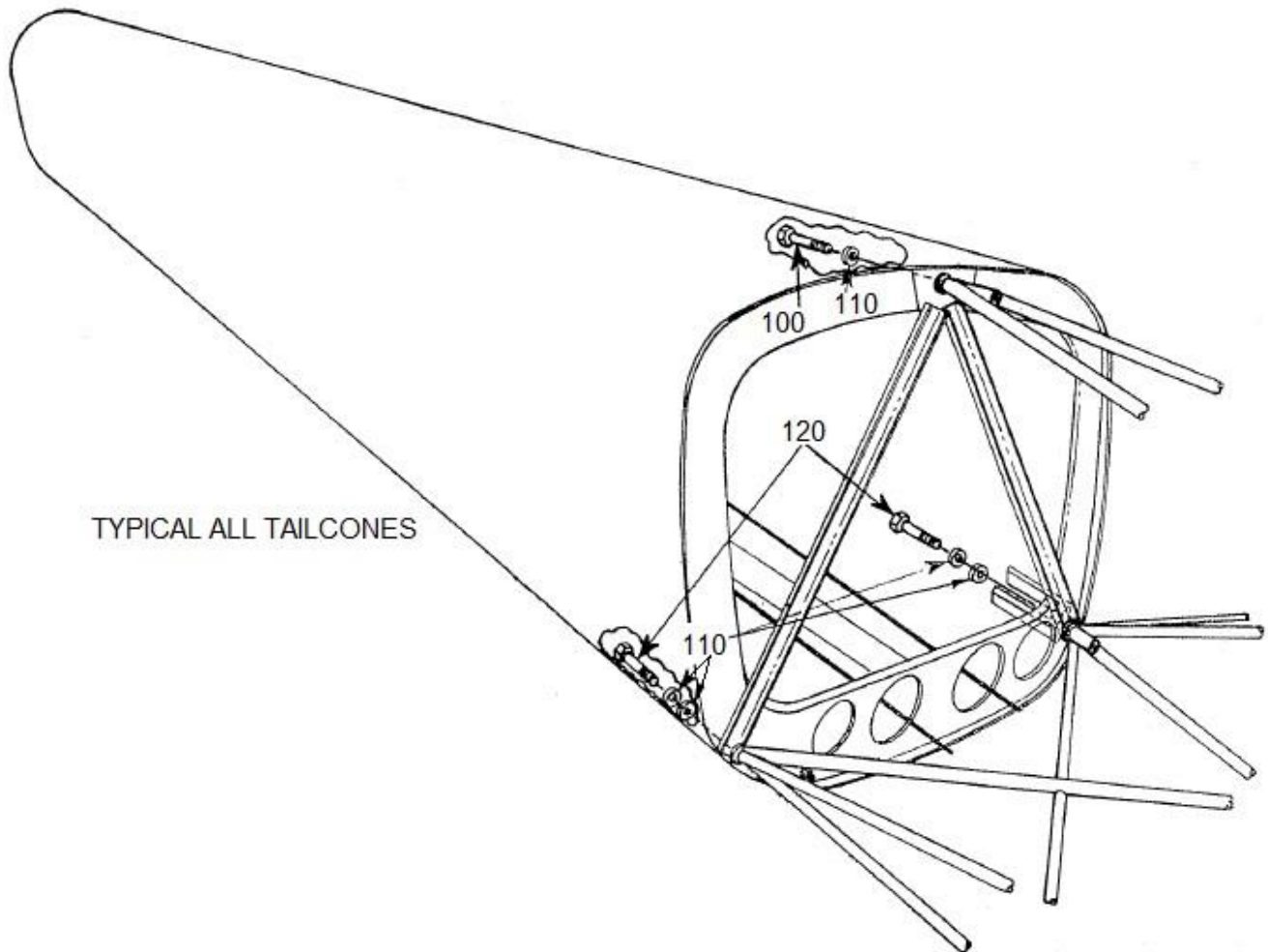
ENSTROM F-28/280 SERIES ILLUSTRATED PARTS CATALOG



Sheet 1 of 2

FIGURE 7-13. CABIN INSTALLATION AND PYLON AND TAILCONE ASSEMBLY

ENSTROM F-28/280 SERIES ILLUSTRATED PARTS CATALOG



TYPICAL ALL TAILCONES

Sheet 2 of 2

FIGURE 7-13. CABIN INSTALLATION AND PYLON AND TAILCONE ASSEMBLY

ENSTROM F-28/280 SERIES ILLUSTRATED PARTS CATALOG

FIGURE 7-13. CABIN INSTALLATION AND PYLON AND TAILCONE ASSEMBLY

| ITEM NUMBER | PART NUMBER | DESCRIPTION | QTY PER ASSY | MODELS AFFECTED | | | | | | |
|-------------|---------------|-----------------------------------|--------------|-----------------|-----|-------|------|-------|------|-------|
| | | | | F-28A | 280 | F-28C | 280C | F-28F | 280F | 280FX |
| - | 28-11300 | Cabin Installation | REF | X | X | X | X | X | X | X |
| 10 | NAS6604-7 | . Bolt | 2 | X | X | X | X | X | X | X |
| 10 | AN4-7A | . Bolt (Superseded by NAS6604-7) | 2 | X | X | X | X | X | X | X |
| 20 | NAS1149F0463P | . Washer | 3 | X | X | X | X | X | X | X |
| 20 | AN960-416 | . Washer (Alternate) | 3 | X | X | X | X | X | X | X |
| 30 | NAS6604-1 | . Bolt | 1 | X | X | X | X | X | X | X |
| 30 | AN4-4A | . Bolt (Superseded by NAS6604-1) | 1 | X | X | X | X | X | X | X |
| 40 | NAS1149F0432P | . Washer | 1 | X | X | X | X | X | X | X |
| 40 | AN960-416L | . Washer (Alternate) | 1 | X | X | X | X | X | X | X |
| 50 | NAS6604-17 | . Bolt | 1 | X | X | X | X | X | X | X |
| 50 | AN4-14A | . Bolt (Superseded by NAS6604-17) | 1 | X | X | X | X | X | X | X |
| 60 | NAS6605H9 | . Bolt | 1 | X | X | X | X | X | X | X |
| 60 | AN5H10A | . Bolt (Superseded by NAS6605H9) | 1 | X | X | X | X | X | X | X |
| 70 | NAS1149F0563P | . Washer | 2 | X | X | X | X | X | X | X |
| 70 | AN960-516 | . Washer (Alternate) | 2 | X | X | X | X | X | X | X |
| 80 | 28-19006-24-1 | . Wire | 1 | X | X | X | X | X | X | X |
| 90 | NAS6605H7 | . Bolt | 1 | X | X | X | X | X | X | X |
| 90 | AN5H7A | . Bolt (Superseded by NAS6605H7) | 1 | X | X | X | X | X | X | X |
| - | 280-112000-1 | Pylon and Tailcone Assembly | REF | X | X | X | X | | | |
| - | 280-112000-3 | Pylon and Tailcone Assembly | REF | | | | | | | X |
| - | 280-112000-5 | Pylon and Tailcone Assembly | REF | | | | | X | X | X |
| 100 | MS20006H14 | . Bolt | 1 | X | X | X | X | X | X | X |
| 100 | NAS146DH24 | . Bolt (Superseded by MS20006H14) | 1 | X | X | X | X | X | X | X |
| 110 | MS20002-C6 | . Washer | 5 | X | X | X | X | X | X | X |
| 120 | MS20006H12 | . Bolt | 2 | X | X | X | X | X | X | X |
| 120 | NAS-146-DH-22 | . Bolt (Superseded by MS20006H12) | 2 | X | X | X | X | X | X | X |

ENSTROM F-28/280 SERIES ILLUSTRATED PARTS CATALOG

INTENTIONALLY LEFT BLANK

ENSTROM F-28/280 SERIES ILLUSTRATED PARTS CATALOG

FIGURE 7-14. TAILCONE BULKHEAD AND SKIN ENCLOSURES

| ITEM NUMBER | PART NUMBER | DESCRIPTION | QTY PER ASSY | MODELS AFFECTED | | | | | | |
|-------------|---------------|---|--------------|-----------------|-----|-------|------|-------|------|-------|
| | | | | F-28A | 280 | F-28C | 280C | F-28F | 280F | 280FX |
| - | 28-11236-1 | Structure Fuselage Tailcone | REF | X | X | X | X | X | X | X |
| - | 28-11236-5 | Tailcone Assembly (With Pillow Blocks and Cover Assemblies) | REF | | | | | | | X |
| - | 28-11201-996 | . Fuselage Tailcone Skin | 1 | X | X | X | X | X | X | X |
| 10 | 28-11201-6 | . Skin Bottom Section | 1 | X | X | X | X | X | X | X |
| 20 | 28-11201-5 | . Skin Top Section | 1 | X | X | X | X | X | X | X |
| 30 | 28-11201-3 | . Skin Forward Top Section | 1 | X | X | X | X | X | X | X |
| 40 | 28-11201-4 | . Skin Forward Bottom Section | 1 | X | X | X | X | X | X | X |
| 50 | 28-11201-7 | . Skin Aft Bottom Section | 1 | X | | X | | X | | X |
| -60 | 280-112001-13 | . Skin Bottom Aft | 1 | | X | | X | | X | |
| 70 | 280-112001-11 | . Skin, L/H Side | 1 | | | | X | | X | |
| 80 | 280-112001-12 | . Skin, RH Side | 1 | | | | X | X | X | X |
| 90 | 28-11201-8 | . Skin, L/H Panel | 1 | X | | X | | X | | X |
| 100 | 28-11201-12 | . Skin, R/H Panel | 1 | X | | X | | X | | |
| -110 | 28-11236-31 | . Skin, R/H | 1 | | | | | X | | |
| -120 | 280-112001-15 | . Skin, R/H | 1 | | X | | X | | X | |
| 130 | 28-11243-11 | . Pulley Bracket, R/H | 1 | | | | | X | X | X |
| 140 | 28-11242-11 | . Pulley Bracket, R/H | 1 | | | | | X | X | X |
| 150 | 28-11202-1 | . Bulkhead Assembly | 1 | X | X | X | X | X | X | X |
| 160 | 28-11203-1 | . Bulkhead Assembly | 1 | X | X | X | X | X | X | X |
| 170 | 28-11204-11 | . Bulkhead Assembly | 1 | X | X | X | X | X | X | X |
| 170 | 28-11204-1 | . Bulkhead Assembly (Superseded by 28-11204-11) | 1 | X | X | X | X | X | X | X |
| - | 28-11248-1 | . Bulkhead Assembly | 1 | X | X | X | X | X | X | X |
| 180 | 28-11205-11 | . Bulkhead #4 | 1 | | | | | X | | X |
| 180 | 28-11205-1 | . Bulkhead #4 (Replaced by 28-11205-11) | 1 | X | | X | | X | | |
| -190 | 280-112002-1 | . Bulkhead | 1 | | X | | X | | X | |
| -200 | 280-112002-3 | . Bulkhead Assembly Center Aft | 1 | | | | | X | | X |
| 210 | 28-11206-5 | . Bulkhead Assembly | 1 | X | X | X | X | X | X | X |
| 210 | 28-11206-1 | . Bulkhead Assembly (Superseded by 28-11206-5) | 1 | X | X | X | X | X | X | X |

ENSTROM F-28/280 SERIES ILLUSTRATED PARTS CATALOG

FIGURE 7-14. TAILCONE BULKHEAD AND SKIN ENCLOSURES

| ITEM NUMBER | PART NUMBER | DESCRIPTION | QTY PER ASSY | MODELS AFFECTED | | | | | | |
|-------------|---------------|---------------------------------------|--------------|-----------------|-----|-------|------|-------|------|-------|
| | | | | F-28A | 280 | F-28C | 280C | F-28F | 280F | 280FX |
| 220 | 28-11207-3 | . Bulkhead | 1 | X | X | X | X | X | X | X |
| 220 | 28-11207-1 | . Bulkhead (Superseded by 28-11207-3) | 1 | X | X | X | X | X | X | X |
| 230 | 28-11225-11 | . Access Plate, L/H | 1 | X | X | X | X | X | X | X |
| 240 | 280-112006-11 | . Access Door | 1 | | | | | X | X | X |
| 250 | MS20470AD4-4 | . Rivet | 8 | | | | | X | X | X |
| 260 | NAS-1368-N8A | . Grommet | 2 | X | X | X | X | X | X | X |

ENSTROM F-28/280 SERIES ILLUSTRATED PARTS CATALOG

INTENTIONALLY LEFT BLANK

ENSTROM F-28/280 SERIES ILLUSTRATED PARTS CATALOG

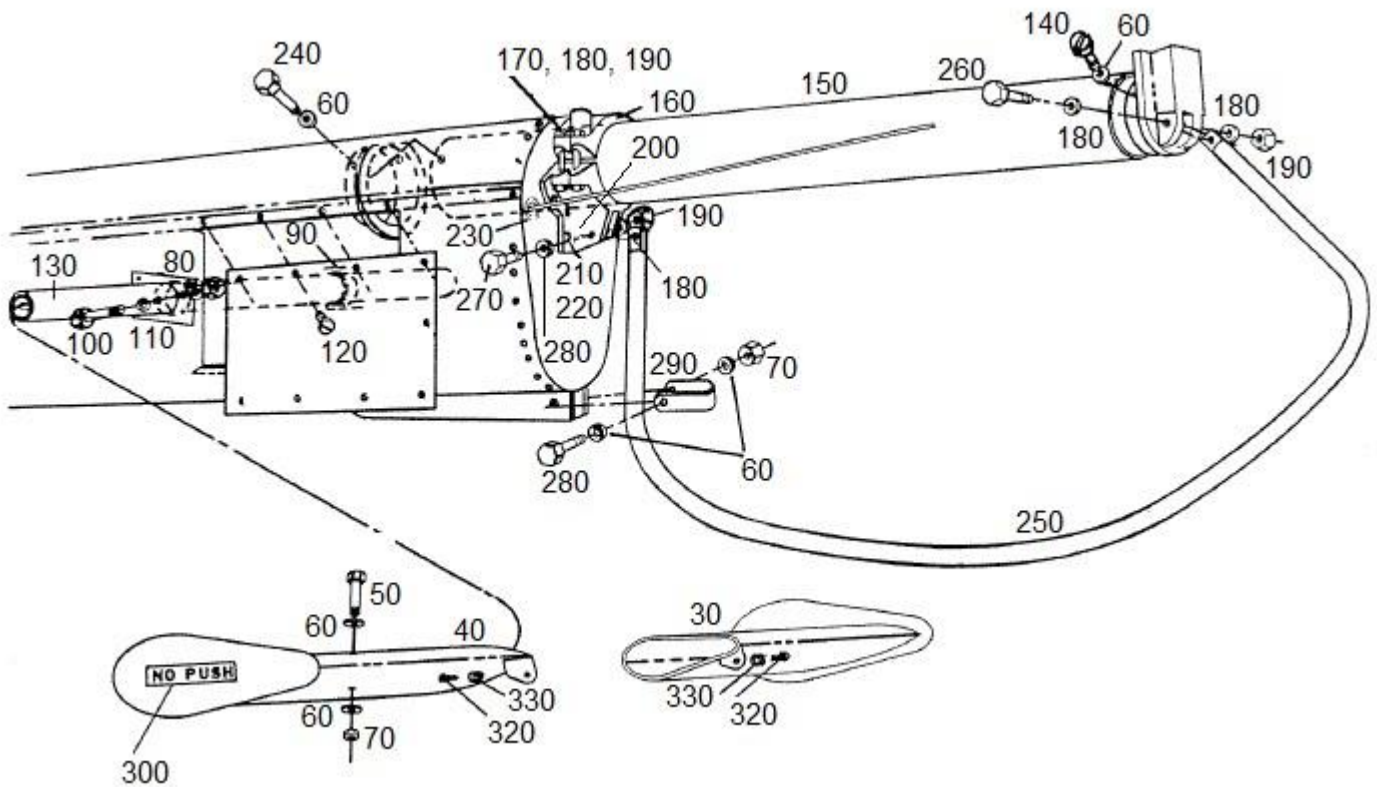


FIGURE 7-15. STABILIZER AND TAILCONE EXTENSION (F-28A, F-28C, F-28F)

ENSTROM F-28/280 SERIES ILLUSTRATED PARTS CATALOG

FIGURE 7-15. STABILIZER AND TAILCONE EXTENSION (F-28A, F-28C, F-28F)

| ITEM NUMBER | PART NUMBER | DESCRIPTION | QTY PER ASSY | MODELS AFFECTED | | | | | | |
|-------------|---------------|--------------------------------------|--------------|-----------------|-----|-------|------|-------|------|-------|
| | | | | F-28A | 280 | F-28C | 280C | F-28F | 280F | 280FX |
| - | 28-20000 | Stabilizer Assembly | REF | X | | X | | X | | |
| -10 | 28-20100-1 | . Stabilizer Assembly, L/H | 1 | X | | | | | | |
| -20 | 28-20100-2 | . Stabilizer Assembly, R/H | 1 | X | | | | | | |
| 30 | 28-20100-6 | . Stabilizer Assembly, R/H | 1 | | | X | | X | | |
| 40 | 28-20100-7 | . Stabilizer Assembly, L/H | 1 | | | X | | X | | |
| 50 | NAS6603-26 | . Bolt | 4 | X | | X | | X | | |
| 50 | AN3-20A | . Bolt (Superseded by NAS6603-26) | 4 | X | | X | | X | | |
| 60 | NAS1149F0332P | . Washer | 11 | X | | X | | X | | |
| 60 | AN960-10L | . Washer (Alternate) | 11 | X | | X | | X | | |
| 70 | MS21044N3 | . Nut | 5 | X | | X | | X | | |
| 70 | AN365-1032A | . Nut (Superseded by MS21044N3) | 5 | X | | X | | X | | |
| 80 | 28-11221-1 | . Bracket, L/H | 1 | X | | X | | X | | |
| 90 | 28-11221-2 | . Bracket, R/H | 1 | X | | X | | X | | |
| 100 | NAS6603-24 | . Bolt | 2 | X | | X | | X | | |
| 100 | AN3-17A | . Bolt (Superseded by NAS6603-24) | 2 | X | | X | | X | | |
| 110 | NAS1149F0363P | . Washer | 12 | X | | X | | X | | |
| 110 | AN960-10 | . Washer (Equivalent) | 12 | X | | X | | X | | |
| 120 | MS27039-0808 | . Screw | 9 | X | | X | | X | | |
| 120 | AN525-832R8 | . Screw (Superseded by MS27039-0808) | 9 | X | | X | | X | | |
| 130 | 28-11222-1 | . Stabilizer Spar | 1 | X | | X | | X | | |
| 140 | NAS1101-3-10 | . Screw | 6 | X | X | X | X | X | X | X |
| 140 | AN502-10-10 | . Screw (Superseded by NAS1101-3-10) | 6 | X | X | X | X | X | X | X |
| - | 28-11236-1 | Structure Assembly Fuselage Tailcone | REF | X | X | X | X | X | X | X |
| 150 | 28-11218-1 | . Stinger Tube | 1 | X | X | X | X | X | X | X |
| 160 | 28-11217-3 | . Clamp | 1 | X | X | X | X | X | X | X |
| 160 | 28-11217-1 | . Clamp (Replaced by 28-11217-3) | 1 | X | X | X | X | X | X | X |

ENSTROM F-28/280 SERIES ILLUSTRATED PARTS CATALOG

FIGURE 7-15. STABILIZER AND TAILCONE EXTENSION (F-28A, F-28C, F-28F)

| ITEM NUMBER | PART NUMBER | DESCRIPTION | QTY PER ASSY | MODELS AFFECTED | | | | | | |
|-------------|---------------|-----------------------------------|--------------|-----------------|-----|-------|------|-------|------|-------|
| | | | | F-28A | 280 | F-28C | 280C | F-28F | 280F | 280FX |
| 170 | NAS6604-27 | . Bolt | 4 | X | X | X | X | X | X | X |
| 170 | AN4-21A | . Bolt (Superseded by NAS6604-27) | 4 | X | X | X | X | X | X | X |
| 180 | NAS1149F0432P | . Washer | 12 | X | X | X | X | X | X | X |
| 180 | AN960-416L | . Washer (Alternate) | 12 | X | X | X | X | X | X | X |
| 190 | MS21044N4 | . Nut | 4 | X | X | X | X | X | X | X |
| 190 | AN365-428A | . Nut (Superseded by MS21044N4) | 4 | X | X | X | X | X | X | X |
| 200 | 28-11215-1 | . Lower Clamp | 1 | X | X | X | X | X | X | X |
| 210 | MS20470AD4-7 | . Rivet | 4 | X | X | X | X | X | X | X |
| 220 | MS20470AD4-6 | . Rivet | 3 | X | X | X | X | X | X | X |
| 230 | NAS-1368-N8A | . Grommet | 2 | X | X | X | X | X | X | X |
| 240 | NAS6603-4 | . Bolt | 3 | X | X | X | X | X | X | X |
| 240 | AN3-5A | . Bolt (Superseded by NAS6603-4) | 3 | X | X | X | X | X | X | X |
| - | 28-17200-3 | Tail Rotor Guard Installation | REF | X | | X | | X | | X |
| - | 28-17201-1 | . Tail Rotor Guard Assembly | 1 | X | | X | | X | | X |
| 250 | 28-17202-1 | . Tail Rotor Guard Tube | 1 | X | | X | | X | | X |
| 260 | NAS6604-29 | . Bolt | 1 | X | | X | | X | | X |
| 260 | AN4-22A | . Bolt (Superseded by NAS6604-29) | 1 | X | | X | | X | | X |
| 270 | NAS6604-25 | . Bolt | 1 | X | X | X | X | X | X | X |
| 270 | AN4-20A | . Bolt (Superseded by NAS6604-25) | 1 | X | X | X | X | X | X | X |
| 280 | NAS6603-22 | . Bolt | 1 | X | X | X | X | X | X | X |
| 280 | AN3-16A | . Bolt (Superseded by NAS6603-22) | 1 | X | X | X | X | X | X | X |
| 290 | 28-17205-1 | . Clamp | 1 | X | | X | | X | | X |
| 300 | 28-20107-11 | . Placard - No Push (Red) | 2 | X | | X | | X | | X |
| -310 | 28-20107-13 | . Placard - No Push (White) | 2 | X | | X | | X | | X |
| 320 | AN526-832R8 | . Screw | 2 | X | X | X | X | X | X | X |
| 330 | NAS1149FN816P | . Washer | 2 | X | X | X | X | X | X | X |
| 330 | AN960-8L | . Washer (Alternate) | 2 | X | X | X | X | X | X | X |

ENSTROM F-28/280 SERIES ILLUSTRATED PARTS CATALOG

INTENTIONALLY LEFT BLANK

ENSTROM F-28/280 SERIES ILLUSTRATED PARTS CATALOG

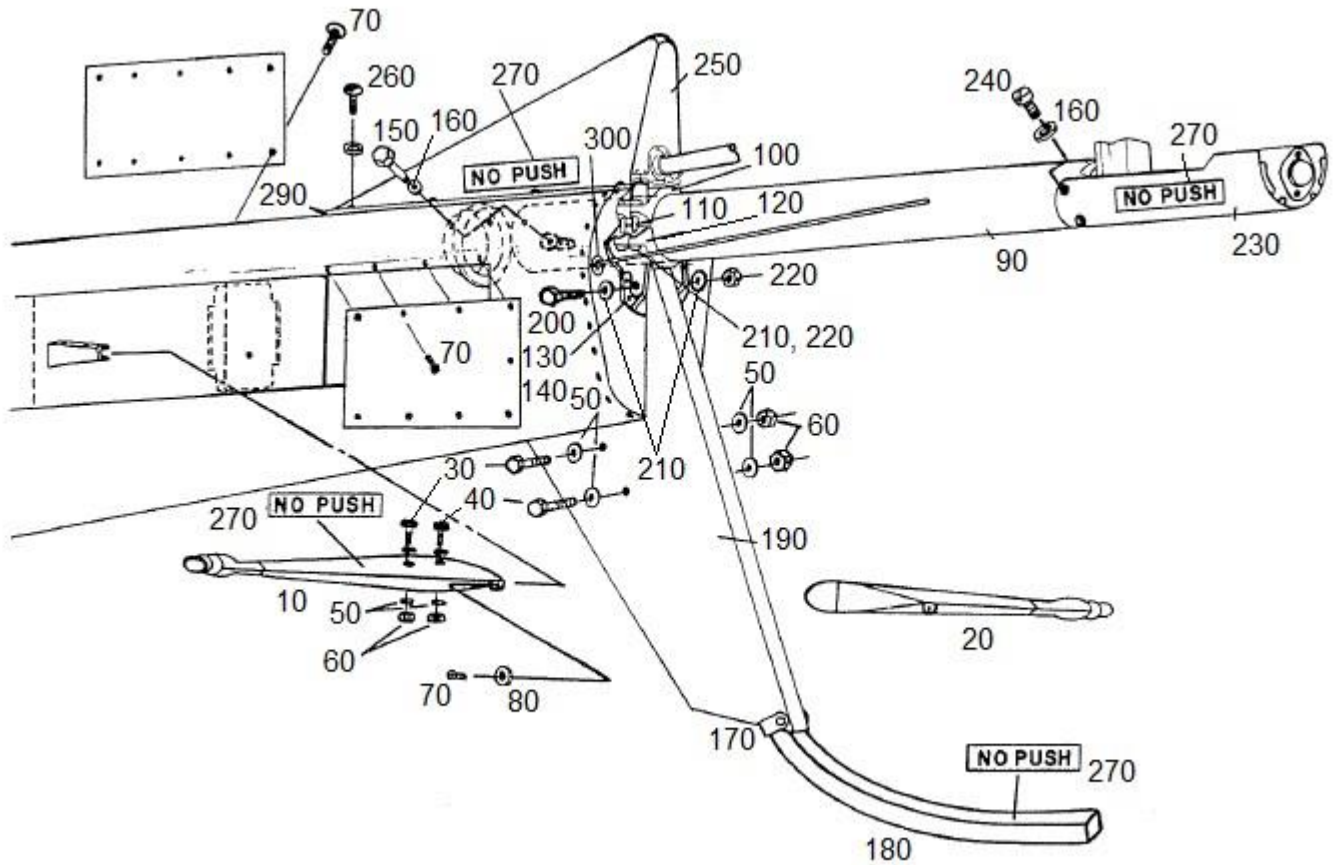


FIGURE 7-16. STABILIZER AND TAILCONE EXTENSION (280, 280C, 280F)

ENSTROM F-28/280 SERIES ILLUSTRATED PARTS CATALOG

FIGURE 7-16. STABILIZER AND TAILCONE EXTENSION (280, 280C, 280F)

| ITEM NUMBER | PART NUMBER | DESCRIPTION | QTY PER ASSY | MODELS AFFECTED | | | | | | |
|-------------|---------------|--------------------------------------|--------------|-----------------|-----|-------|------|-------|------|-------|
| | | | | F-28A | 280 | F-28C | 280C | F-28F | 280F | 280FX |
| 10 | 280-200000-1 | . Horizontal Stabilizer, L/H | 1 | | X | | X | | X | |
| 20 | 280-200000-2 | . Horizontal Stabilizer, R/H | 1 | | X | | X | | X | |
| 30 | NAS6603-22 | . Bolt | 3 | | X | | X | | X | |
| 30 | AN3-16A | . Bolt (Superseded by NAS6603-22) | 3 | | X | | X | | X | |
| 40 | NAS6603-24 | . Bolt | 3 | | X | | X | | X | |
| 40 | AN3-17A | . Bolt (Superseded by NAS6603-24) | 3 | | X | | X | | X | |
| 50 | NAS1149D0316H | . Washer | 12 | | X | | X | | X | |
| 50 | AN960D10L | . Washer (Alternate) | 12 | | X | | X | | X | |
| 60 | MS21044N3 | . Nut | 6 | | X | | X | | X | |
| 60 | AN365-1032A | . Nut (Superseded by MS21044N3) | 6 | | X | | X | | X | |
| 70 | AN526-832R8 | . Screw | 21 | | X | | X | | X | |
| 80 | NAS1149FN816P | . Washer | 10 | | X | | X | | X | |
| 80 | AN960-8L | . Washer (Alternate) | 10 | | X | | X | | X | |
| - | 28-11236-1 | Structure Assembly Fuselage Tailcone | REF | X | X | X | X | X | X | X |
| 90 | 28-11218-1 | . Extension Tube | 1 | X | X | X | X | X | X | X |
| 100 | 28-11217-3 | . Clamp | 1 | X | X | X | X | X | X | X |
| 100 | 28-11217-1 | . Clamp (Replaced by 28-11217-3) | 1 | X | X | X | X | X | X | X |
| 110 | NAS6604-27 | . Bolt | 4 | X | X | X | X | X | X | X |
| 110 | AN4-21A | . Bolt (Superseded by NAS6604-27) | 4 | X | X | X | X | X | X | X |
| 120 | 28-11215-1 | . Clamp | 1 | X | X | X | X | X | X | X |
| 130 | MS20470AD4-7 | . Rivet | 4 | X | X | X | X | X | X | X |
| 140 | MS20470AD4-6 | . Rivet | 3 | X | X | X | X | X | X | X |
| 150 | NAS6603-4 | . Bolt | 3 | X | X | X | X | X | X | X |
| 150 | AN3-5A | . Bolt (Superseded by NAS6603-4) | 3 | X | X | X | X | X | X | X |
| 160 | NAS1149F0332P | . Washer | 9 | X | X | X | X | X | X | X |

ENSTROM F-28/280 SERIES ILLUSTRATED PARTS CATALOG

FIGURE 7-16. STABILIZER AND TAILCONE EXTENSION (280, 280C, 280F)

| ITEM NUMBER | PART NUMBER | DESCRIPTION | QTY PER ASSY | MODELS AFFECTED | | | | | | |
|-------------|---------------|--------------------------------------|--------------|-----------------|-----|-------|------|-------|------|-------|
| | | | | F-28A | 280 | F-28C | 280C | F-28F | 280F | 280FX |
| 160 | AN960-10L | . Washer (Alternate) | 9 | X | X | X | X | X | X | X |
| 170 | 280-201000-41 | . Strap | 1 | | X | | X | | X | |
| 180 | 280-201000-33 | . Stinger Tube | 1 | | X | | X | | X | |
| 190 | 280-201000-1 | . Stabilizer | 1 | | X | | X | | X | |
| 200 | NAS6604-25 | . Bolt | 1 | X | X | X | X | X | X | X |
| 200 | AN4-20A | . Bolt (Superseded by NAS6604-25) | 1 | X | X | X | X | X | X | X |
| 210 | NAS1149F0432P | . Washer | 10 | X | X | X | X | X | X | X |
| 210 | AN960-416L | . Washer (Alternate) | 10 | X | X | X | X | X | X | X |
| 220 | MS21044N4 | . Nut | 5 | X | X | X | X | X | X | X |
| 220 | AN365-428A | . Nut (Superseded by MS21044N4) | 5 | X | X | X | X | X | X | X |
| 230 | 280-210002-1 | . Light Support | 1 | | X | | X | | X | |
| 240 | NAS1101-3-10 | . Screw | 6 | X | X | X | X | X | X | X |
| 240 | AN502-10-10 | . Screw (Superseded by NAS1101-3-10) | 6 | X | X | X | X | X | X | X |
| 250 | 280-201002-11 | . Stabilizer | 1 | | X | | X | | X | |
| 260 | MS27039-0808 | . Screw | 8 | | X | | X | | X | |
| 260 | AN525-832R8 | . Screw (Superseded by MS27039-0808) | 8 | | X | | X | | X | |
| 270 | 28-20107-11 | . Placard - No Push (Red) | 7 | | X | | X | | X | |
| -280 | 28-20107-13 | . Placard - No Push (White) | 7 | | X | | X | | X | |
| 290 | 4508-1 | . Foam Tape | A/R | | X | | X | | X | |
| 300 | NAS-1368-N8A | . Grommet | 2 | X | X | X | X | X | X | X |

ENSTROM F-28/280 SERIES ILLUSTRATED PARTS CATALOG

INTENTIONALLY LEFT BLANK

ENSTROM F-28/280 SERIES ILLUSTRATED PARTS CATALOG

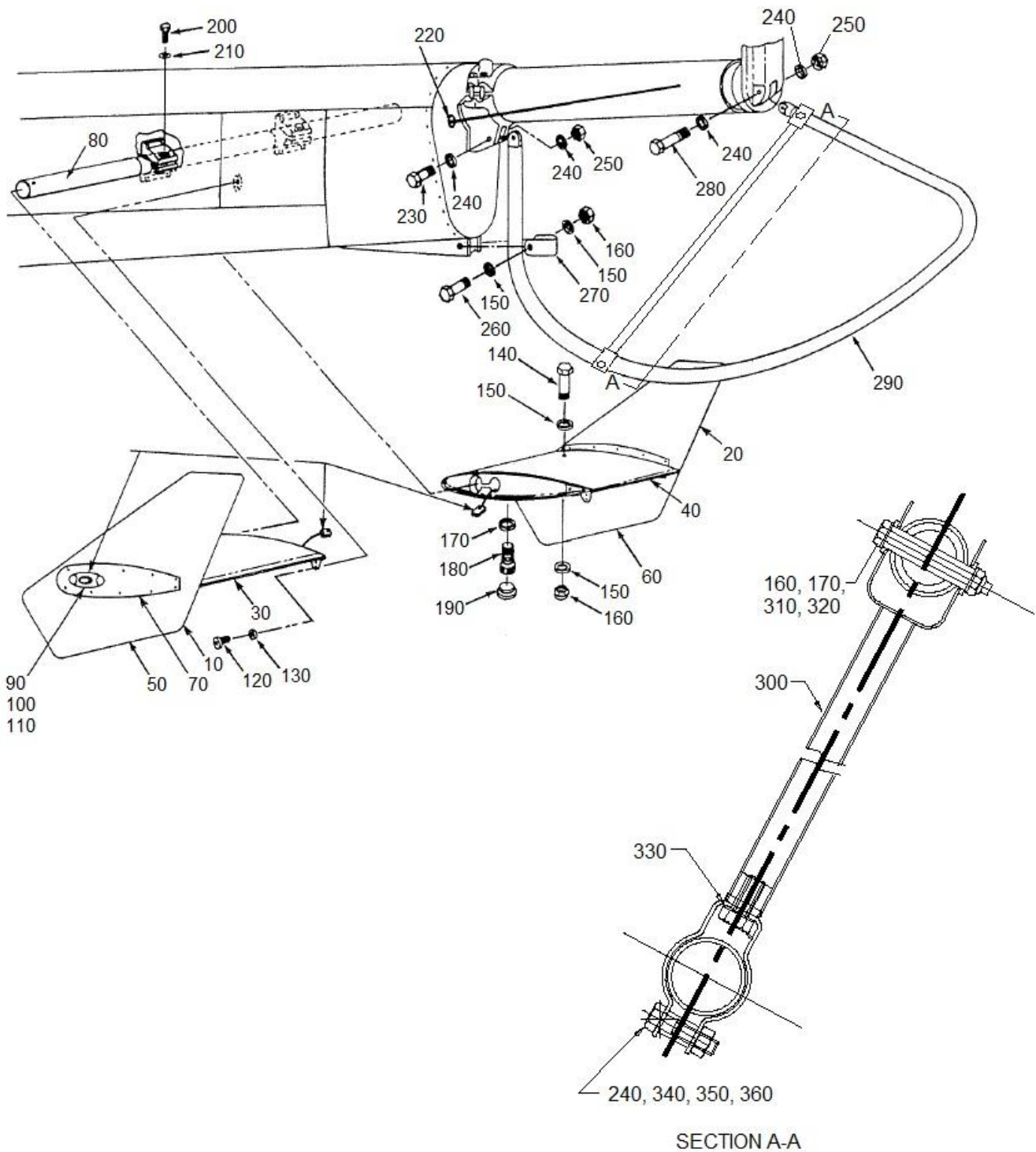


FIGURE 7-17. STABILIZER AND TAILCONE EXTENSION (F-28F, 280FX)

ENSTROM F-28/280 SERIES ILLUSTRATED PARTS CATALOG

FIGURE 7-17. STABILIZER AND TAILCONE EXTENSION (F-28F, 280FX)

| ITEM NUMBER | PART NUMBER | DESCRIPTION | QTY PER ASSY | MODELS AFFECTED | | | | | | |
|-------------|---------------|--|--------------|-----------------|-----|-------|------|-------|------|-------|
| | | | | F-28A | 280 | F-28C | 280C | F-28F | 280F | 280FX |
| 10 | 28-20119-3 | . Stabilizer Installation, L/H | 1 | | | | | X | | X |
| 10 | 28-20119-1 | . Stabilizer Installation, L/H (Superseded by 28-20119-3) | 1 | | | | | X | | X |
| 20 | 28-20119-4 | . Stabilizer Installation, R/H | 1 | | | | | X | | X |
| 20 | 28-20119-2 | . Stabilizer Installation, R/H (Superseded by 28-20119-4) | 1 | | | | | X | | X |
| 30 | 28-20111-911 | . . Horizontal Stabilizer, L/H | 1 | | | | | X | | X |
| 30 | 28-20111-1 | . . Horizontal Stabilizer, L/H (Superseded by 28-20111-911) | 1 | | | | | X | | X |
| 40 | 28-20111-912 | . . Horizontal Stabilizer, R/H | 1 | | | | | X | | X |
| 40 | 28-20111-2 | . . Horizontal Stabilizer, R/H (Superseded by 28-20111-912) | 1 | | | | | X | | X |
| 50 | 28-20112-15 | . . Vertical Stabilizer, L/H | 1 | | | | | X | | X |
| 50 | 28-20112-1 | . . Vertical Stabilizer, L/H (Superseded by 28-20112-15) | 1 | | | | | X | | X |
| 60 | 28-20112-16 | . . Vertical Stabilizer, R/H | 1 | | | | | X | | X |
| 60 | 28-20112-2 | . . Vertical Stabilizer, R/H (Superseded by 28-20112-16) | 1 | | | | | X | | X |
| 70 | 28-20116-11 | . . Plate | 2 | | | | | X | | X |
| 80 | 28-11222-15 | . . Spar | 1 | | | | | X | | X |
| 90 | AN525-1032R12 | . Screw | 20 | | | | | X | | X |
| 100 | NAS1149D0316J | . Washer | 40 | | | | | X | | X |
| 100 | AN960PD10L | . Washer (Alternate) | 40 | | | | | X | | X |
| 110 | MS21083N3 | . Nut | 20 | | | | | X | | X |
| 110 | AN364-1032A | . Nut (Superseded by MS21083N3) | 20 | | | | | X | | X |
| 120 | AN526-832R8 | . Screw | 2 | X | X | X | X | X | X | X |
| 130 | NAS1149FN816P | . Washer | 2 | X | X | X | X | X | X | X |
| 130 | AN960-8L | . Washer (Alternate) | 2 | X | X | X | X | X | X | X |
| 140 | NAS6603-26 | . . Bolt | 2 | | | | | X | | X |
| 140 | AN3-20A | . . Bolt (Superseded by NAS6603-26) | 2 | | | | | X | | X |
| 150 | NAS1149F0332P | . . Washer | 6 | | | | | X | | X |

ENSTROM F-28/280 SERIES ILLUSTRATED PARTS CATALOG

FIGURE 7-17. STABILIZER AND TAILCONE EXTENSION (F-28F, 280FX)

| ITEM NUMBER | PART NUMBER | DESCRIPTION | QTY PER ASSY | MODELS AFFECTED | | | | | | |
|-------------|---------------|--|--------------|-----------------|-----|-------|------|-------|------|-------|
| | | | | F-28A | 280 | F-28C | 280C | F-28F | 280F | 280FX |
| 150 | AN960-10L | . . Washer (Alternate) | 6 | | | | | X | | X |
| 160 | MS21044N3 | . . Locknut | 3 | | | | | X | | X |
| 160 | AN365-1032A | . . Locknut (Superseded by MS21044N3) | 3 | | | | | X | | X |
| 170 | NAS1149F0463P | . . Washer | 4 | | | | | X | | X |
| 170 | AN960-10 | . . Washer (Replaced by NAS1149F0463P) | 4 | | | | | X | | X |
| 180 | MS16998-44 | . . Cap Screw | 4 | | | | | X | | X |
| 190 | BPF-1/2 | . . Cap Plug | 4 | | | | | X | | X |
| 200 | NK4-7A | . Bolt | 2 | | | | | X | | X |
| 210 | NAS1149D0463J | . Washer | 2 | | | | | X | | X |
| 210 | AN960PD416 | . Washer (Alternate) | 2 | | | | | X | | X |
| - | 28-17200-3 | Tail Rotor Guard Installation | REF | | | | | X | | X |
| 220 | NAS-1368-N8A | . Grommet | 2 | X | | X | | X | | X |
| 230 | NAS6604-25 | . Bolt | 1 | X | | X | | X | | X |
| 230 | AN4-20A | . Bolt (Superseded by NAS6604-25) | 1 | X | | X | | X | | X |
| 240 | NAS1149F0432P | . Washer | 4 | X | | X | | X | | X |
| 240 | AN960-416L | . Washer (Alternate) | 4 | X | | X | | X | | X |
| 250 | MS21044N4 | . Nut | 2 | X | | X | | X | | X |
| 250 | AN365-428A | . Nut (Superseded by MS21044N4) | 2 | X | | X | | X | | X |
| 260 | NAS6603-22 | . Bolt | 1 | X | | X | | X | | X |
| 260 | AN3-16A | . Bolt (Superseded by NAS6603-22) | 1 | X | | X | | X | | X |
| 270 | 28-17205-1 | . Clamp | 1 | X | | X | | X | | X |
| - | 28-17206-13 | . Pad | A/R | X | | X | | X | | X |
| 280 | NAS6604-29 | . Bolt | 1 | X | | X | | X | | X |
| 280 | AN4-22A | . Bolt (Superseded by NAS6604-29) | 1 | X | | X | | X | | X |
| 290 | 28-17201-3 | . Tail Rotor Guard | 1 | X | | X | | X | | X |
| 300 | 28-17207-1 | . Strut Assembly | 1 | X | | X | | X | | X |

ENSTROM F-28/280 SERIES ILLUSTRATED PARTS CATALOG

FIGURE 7-17. STABILIZER AND TAILCONE EXTENSION (F-28F, 280FX)

| ITEM NUMBER | PART NUMBER | DESCRIPTION | QTY PER ASSY | MODELS AFFECTED | | | | | | |
|-------------|-------------|-----------------------------------|--------------|-----------------|-----|-------|------|-------|------|-------|
| | | | | F-28A | 280 | F-28C | 280C | F-28F | 280F | 280FX |
| 310 | NAS6603-24 | . Bolt | 1 | X | | X | | X | | X |
| 310 | AN3-17A | . Bolt (Superseded by NAS6603-24) | 1 | X | | X | | X | | X |
| 320 | NAS73-3-108 | . Bushing | 1 | X | | X | | X | | X |
| 330 | 28-17206-11 | . Spacer | A/R | X | | X | | X | | X |
| 340 | NAS6604-11 | . Bolt | 1 | X | | X | | X | | X |
| 340 | AN4-11A | . Bolt (Superseded by NAS6604-11) | 1 | X | | X | | X | | X |
| 350 | 28-17206-17 | . Spacer | 1 | X | | X | | X | | X |
| 360 | MS21083N4 | . Nut | 1 | X | | X | | X | | X |
| 360 | AN364-428A | . Nut (Superseded by MS21083N4) | 1 | X | | X | | X | | X |

ENSTROM F-28/280 SERIES ILLUSTRATED PARTS CATALOG

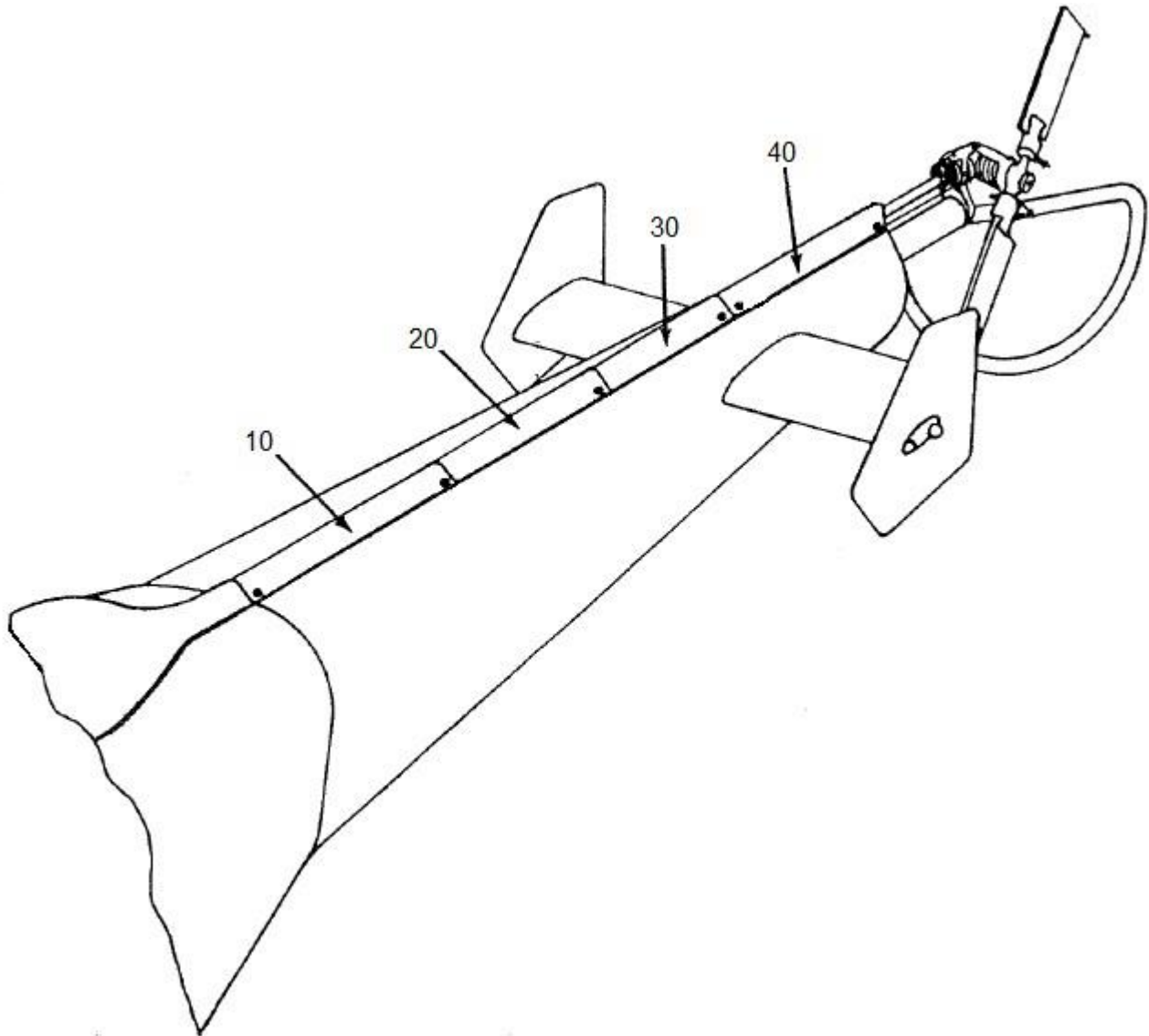


FIGURE 7-18. TAIL ROTOR DRIVE SHAFT COVER

ENSTROM F-28/280 SERIES ILLUSTRATED PARTS CATALOG

FIGURE 7-18. TAIL ROTOR DRIVE SHAFT COVER

| ITEM NUMBER | PART NUMBER | DESCRIPTION | QTY PER ASSY | MODELS AFFECTED | | | | | | |
|-------------|--------------|-------------------------------------|--------------|-----------------|-----|-------|------|-------|------|-------|
| | | | | F-28A | 280 | F-28C | 280C | F-28F | 280F | 280FX |
| - | 28-11236-5 | Tailcone Assembly | REF | | | | | | | X |
| 10 | 28-11239-1 | . Cover Assembly - Shaft Tail Rotor | 1 | | | | | | | X |
| - | 28-11239-11 | .. Cover | 1 | | | | | | | X |
| - | 82-19-160-16 | .. Oval Head Screw | 2 | | | | | | | X |
| - | 43-13-1-24 | .. Spring Ejector | 2 | | | | | | | X |
| - | 82-46-101-39 | .. Wear Washer | 2 | | | | | | | X |
| - | 82-32-101-20 | .. Retainer | 2 | | | | | | | X |
| - | 28-11239-27 | .. Doubler | 1 | | | | | | | X |
| - | 28-11239-35 | .. Doubler | 1 | | | | | | | X |
| - | 28-11239-37 | .. Doubler | 1 | | | | | | | X |
| - | 28-11227-13 | .. Hinge | 1 | | | | | | | X |
| - | 28-11227-17 | .. Hinge | 1 | | | | | | | X |
| - | MS20426A3-3 | .. Rivet | 2 | | | | | | | X |
| - | MS20426A3-4 | .. Rivet | 6 | | | | | | | X |
| 20 | 28-11239-3 | . Cover Assembly - Shaft Tail Rotor | 1 | | | | | | | X |
| - | 28-11239-13 | .. Cover | 1 | | | | | | | X |
| - | 82-19-160-16 | .. Oval Head Screw | 2 | | | | | | | X |
| - | 43-13-1-24 | .. Spring Ejector | 1 | | | | | | | X |
| - | 82-46-101-39 | .. Wear Washer | 1 | | | | | | | X |
| - | 82-32-101-20 | .. Retainer | 1 | | | | | | | X |
| - | 28-11239-37 | .. Doubler | 1 | | | | | | | X |
| - | 28-11239-39 | .. Doubler | 1 | | | | | | | X |
| - | 28-11239-21 | .. Extension | 1 | | | | | | | X |
| - | 28-11227-17 | .. Hinge | 1 | | | | | | | X |
| - | 28-11227-21 | .. Hinge | 1 | | | | | | | X |
| - | MS20426A3-3 | .. Rivet | 4 | | | | | | | X |
| - | MS20426A3-4 | .. Rivet | 4 | | | | | | | X |
| - | 5451 | .. Teflon Tape | A/R | | | | | | | X |

ENSTROM F-28/280 SERIES ILLUSTRATED PARTS CATALOG

FIGURE 7-18. TAIL ROTOR DRIVE SHAFT COVER

| ITEM NUMBER | PART NUMBER | DESCRIPTION | QTY PER ASSY | MODELS AFFECTED | | | | | | |
|-------------|--------------|-------------------------------------|--------------|-----------------|-----|-------|------|-------|------|-------|
| | | | | F-28A | 280 | F-28C | 280C | F-28F | 280F | 280FX |
| 30 | 28-11239-9 | . Cover Assembly - Shaft Tail Rotor | 1 | | | | | | | X |
| - | 28-11239-23 | . . Cover | 1 | | | | | | | X |
| - | 82-19-160-16 | . . Oval Head Screw | 1 | | | | | | | X |
| - | 43-13-1-24 | . . Spring Ejector | 1 | | | | | | | X |
| - | 82-46-101-39 | . . Wear Washer | 1 | | | | | | | X |
| - | 82-32-101-20 | . . Retainer | 1 | | | | | | | X |
| - | 28-11239-27 | . . Doubler | 1 | | | | | | | X |
| - | 28-11239-35 | . . Doubler | 1 | | | | | | | X |
| - | 28-11239-39 | . . Doubler | 1 | | | | | | | X |
| - | 28-11239-21 | . . Extension | 1 | | | | | | | X |
| - | 28-11227-13 | . . Hinge | 1 | | | | | | | X |
| - | 28-11227-21 | . . Hinge | 1 | | | | | | | X |
| - | MS20426A3-3 | . . Rivet | 6 | | | | | | | X |
| - | MS20426A3-4 | . . Rivet | 6 | | | | | | | X |
| - | 5451 | . . Teflon Tape | A/R | | | | | | | X |
| 40 | 28-11239-101 | . Cover Assembly - Shaft Tail Rotor | 1 | | | | | | | X |
| - | 28-11239-25 | . . Cover | 1 | | | | | | | X |
| - | 82-19-160-16 | . . Oval Head Screw | 2 | | | | | | | X |
| - | 43-13-1-24 | . . Spring Ejector | 2 | | | | | | | X |
| - | 82-46-101-39 | . . Wear Washer | 2 | | | | | | | X |
| - | 82-32-101-20 | . . Retainer | 2 | | | | | | | X |
| - | 28-11239-19 | . . Extension | 1 | | | | | | | X |
| - | MS20426A3-3 | . . Rivet | 8 | | | | | | | X |
| - | 5451 | . . Teflon Tape | A/R | | | | | | | X |

ENSTROM F-28/280 SERIES ILLUSTRATED PARTS CATALOG

INTENTIONALLY LEFT BLANK

ENSTROM F-28/280 SERIES ILLUSTRATED PARTS CATALOG

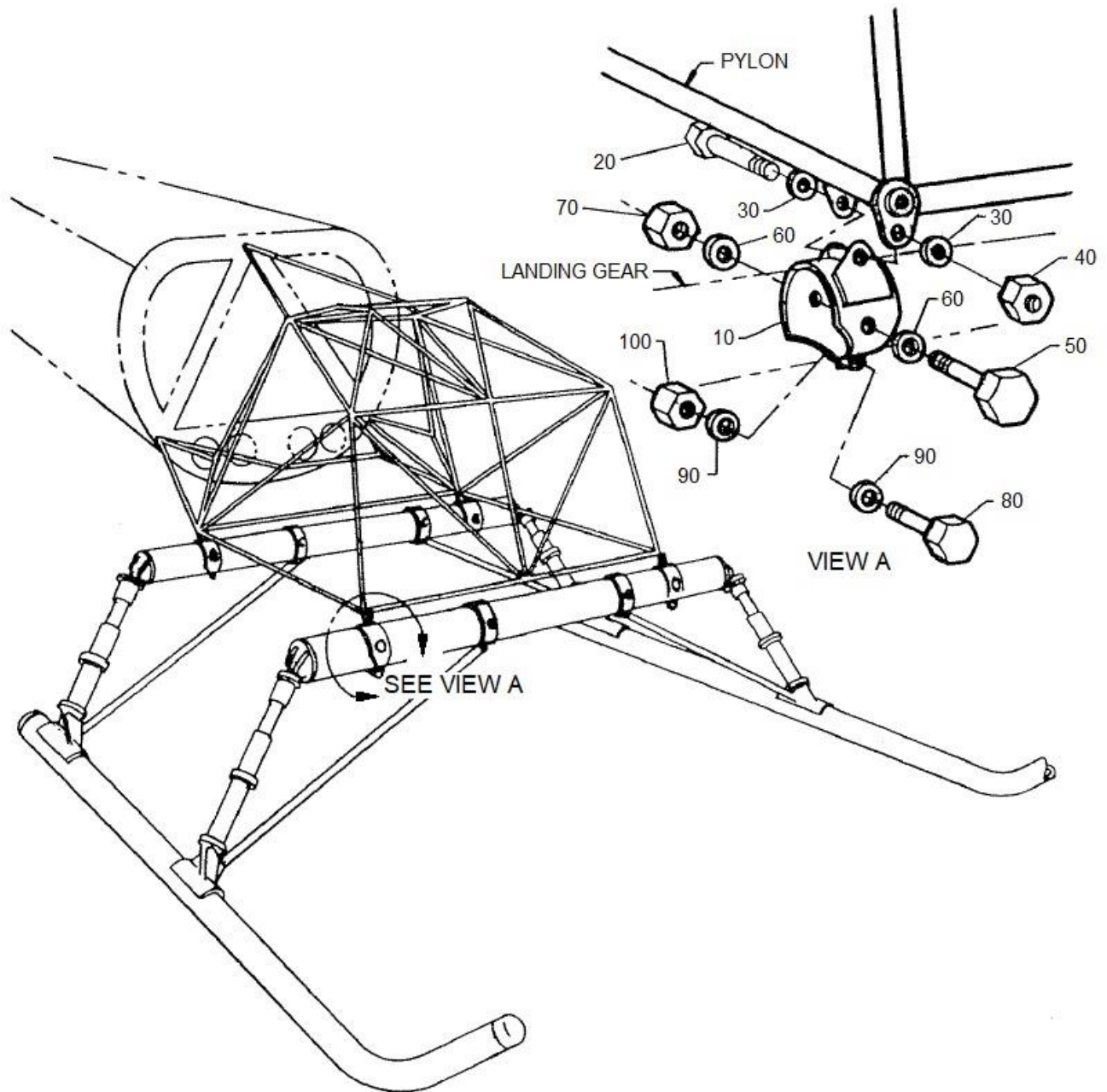


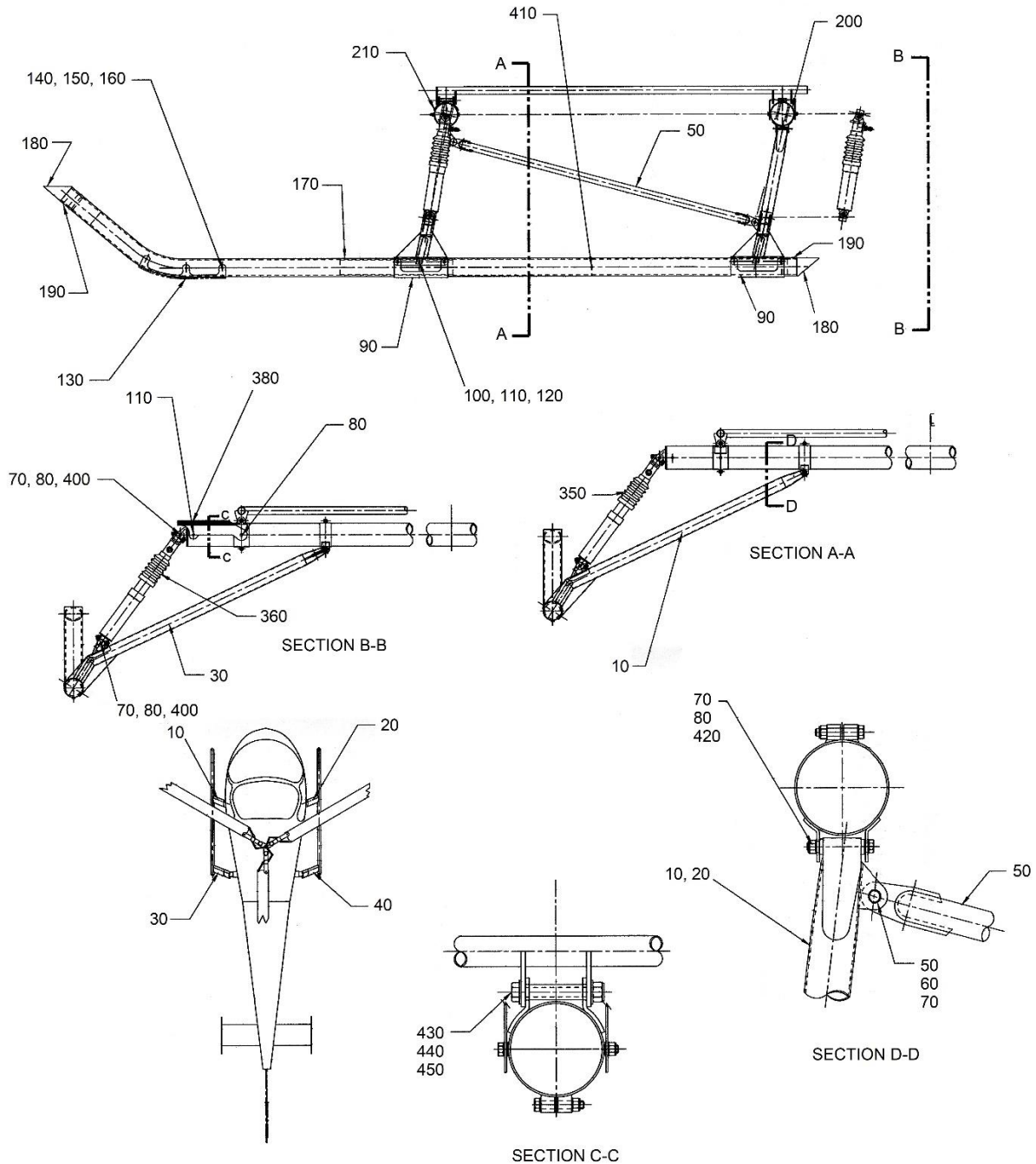
FIGURE 7-19. PYLON ASSEMBLY TO LANDING GEAR

ENSTROM F-28/280 SERIES ILLUSTRATED PARTS CATALOG

FIGURE 7-19. PYLON ASSEMBLY TO LANDING GEAR

| ITEM NUMBER | PART NUMBER | DESCRIPTION | QTY PER ASSY | MODELS AFFECTED | | | | | | |
|-------------|---------------|--|--------------|-----------------|-----|-------|------|-------|------|-------|
| | | | | F-28A | 280 | F-28C | 280C | F-28F | 280F | 280FX |
| - | 28-17100-903 | Skid Gear Assembly | REF | X | X | X | X | X | X | X |
| - | 28-17100-907 | Skid Gear Assembly (Floats) | REF | X | | X | | X | | |
| - | 28-17100-923 | Skid Gear Assembly (Heavy Duty) | REF | X | X | X | X | X | X | X |
| - | 28-17100-927 | Skid Gear Assembly (Heavy Duty/Floats) | REF | X | | X | | X | | X |
| 10 | 28-17132-1 | . Landing Gear Leg Assembly, Left Fwd | 1 | X | X | X | X | X | X | X |
| 20 | 28-17150-1 | . Bolt | 4 | X | X | X | X | X | X | X |
| 30 | NAS1149F0663P | . Washer | 8 | X | X | X | X | X | X | X |
| 30 | AN960-616 | . Washer (Alternate) | 8 | X | X | X | X | X | X | X |
| 40 | MS21083N6 | . Nut | 4 | X | X | X | X | X | X | X |
| 40 | AN364-624A | . Nut (Superseded by MS21083N6) | 4 | X | X | X | X | X | X | X |
| - | 28-17122-1 | Cross Beam Assembly – Landing Gear | REF | X | X | X | X | X | X | X |
| 50 | 28-17150-13 | . Bolt | 4 | X | X | X | X | X | X | X |
| 50 | AN5-35A | . Bolt (Replaced by 28-17150-13) | 4 | X | X | X | X | X | X | X |
| 60 | NAS1149F0563P | . Washer | 8 | X | X | X | X | X | X | X |
| 60 | AN960-516 | . Washer (Alternate) | 8 | X | X | X | X | X | X | X |
| 70 | MS21044N5 | . Nut | 4 | X | X | X | X | X | X | X |
| 70 | AN365-524A | . Nut (Superseded by MS21044N5) | 4 | X | X | X | X | X | X | X |
| 80 | NAS6604-17 | . Bolt | 4 | X | X | X | X | X | X | X |
| 80 | AN4-14A | . Bolt (Superseded by NAS6604-17) | 4 | X | X | X | X | X | X | X |
| 90 | NAS1149F0432P | . Washer | 8 | X | X | X | X | X | X | X |
| 90 | AN960-416L | . Washer (Alternate) | 8 | X | X | X | X | X | X | X |
| 100 | MS21044N4 | . Nut | 4 | X | X | X | X | X | X | X |
| 100 | AN365-428A | . Nut (Superseded by MS21044N4) | 4 | X | X | X | X | X | X | X |

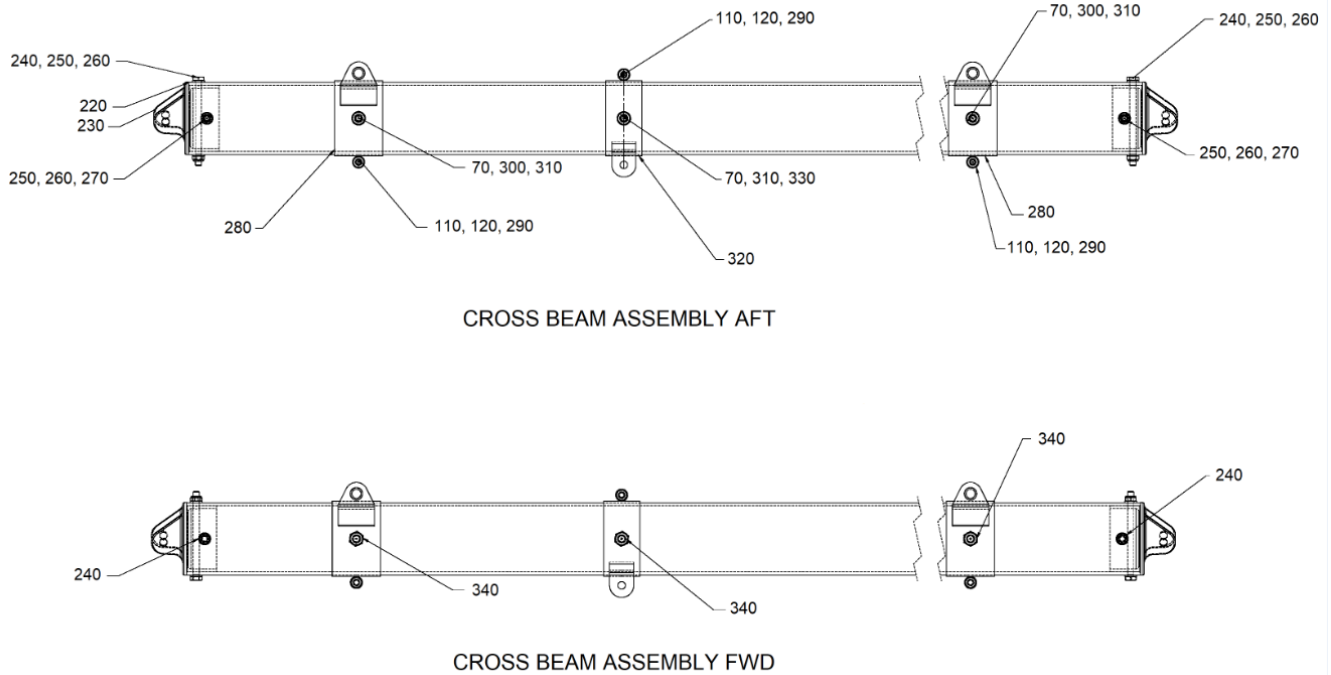
ENSTROM F-28/280 SERIES ILLUSTRATED PARTS CATALOG



Sheet 1 of 3

FIGURE 7-20. LANDING GEAR ASSEMBLY

ENSTROM F-28/280 SERIES ILLUSTRATED PARTS CATALOG

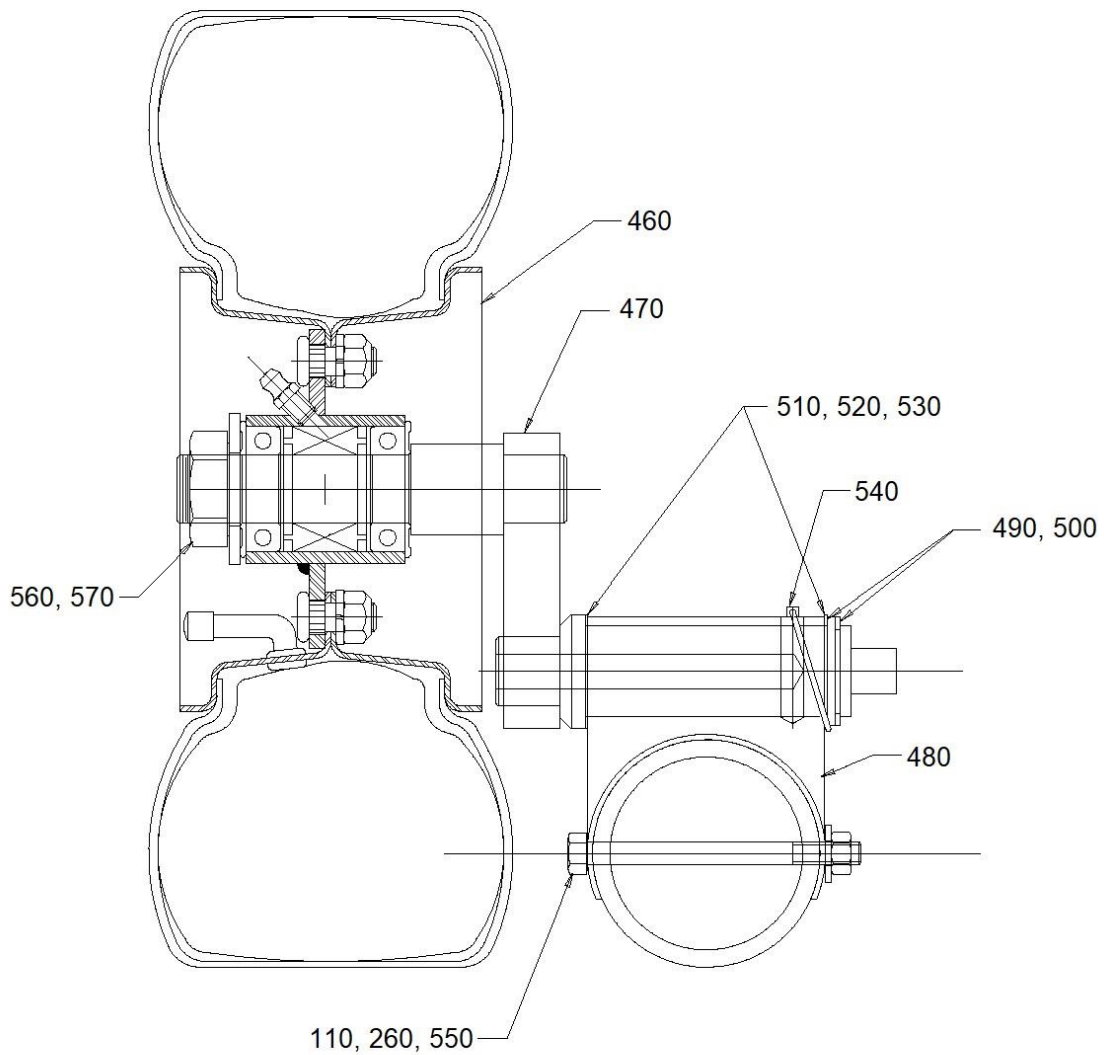


CROSS BEAM ASSEMBLY AFT

CROSS BEAM ASSEMBLY FWD

FIGURE 7-20. LANDING GEAR ASSEMBLY

ENSTROM F-28/280 SERIES ILLUSTRATED PARTS CATALOG



Sheet 3 of 3

FIGURE 7-20. LANDING GEAR ASSEMBLY

ENSTROM F-28/280 SERIES ILLUSTRATED PARTS CATALOG

FIGURE 7-20. LANDING GEAR ASSEMBLY

| ITEM NUMBER | PART NUMBER | DESCRIPTION | QTY PER ASSY | MODELS AFFECTED | | | | | | |
|-------------|---------------|--|--------------|-----------------|-----|-------|------|-------|------|-------|
| | | | | F-28A | 280 | F-28C | 280C | F-28F | 280F | 280FX |
| - | 28-17100-903 | Skid Gear Assembly | REF | X | X | X | X | X | X | X |
| - | 28-17100-907 | Skid Gear Assembly (Floats) | REF | X | | X | | X | | |
| - | 28-17100-923 | Skid Gear Assembly (Heavy Duty) | REF | X | X | X | X | X | X | X |
| - | 28-17100-927 | Skid Gear Assembly (Heavy Duty/Floats) | REF | X | | X | | X | | X |
| 10 | 28-17132-1 | . Landing Gear Leg Assembly, Left Fwd | 1 | X | X | X | X | X | X | X |
| 20 | 28-17132-2 | . Landing Gear Leg Assembly, Right Fwd | 1 | X | X | X | X | X | X | X |
| 30 | 28-17132-3 | . Landing Gear Leg Assembly, Left Aft | 1 | X | X | X | X | X | X | X |
| 40 | 28-17132-4 | . Landing Gear Leg Assembly, Right Aft | 1 | X | X | X | X | X | X | X |
| 50 | 28-17124-1 | . Drag Strut | 2 | X | X | X | X | X | X | X |
| 60 | NAS6605-5 | . Bolt | 4 | X | X | X | X | X | X | X |
| 60 | AN5-6A | . Bolt (Superseded by NAS6605-5) | 4 | X | X | X | X | X | X | X |
| 70▲ | MS21044N5 | . Nut | A/R | X | X | X | X | X | X | X |
| 70▲ | AN365-524A | . Nut (Superseded by MS21044N5) | A/R | X | X | X | X | X | X | X |
| 80 | NAS1149F0532P | . Washer | 4 | X | X | X | X | X | X | X |
| 80 | AN960-516L | . Washer (Alternate) | 4 | X | X | X | X | X | X | X |
| 90 | 28-22421-1 | . Weldment | 4 | X | X | X | X | X | X | X |
| 90 | 28-17111-1 | . Wear Plate (Replaced by 28-22421-1) | 4 | X | X | X | X | X | X | X |
| -* | X-1567 | . Wing Walk | A/R | X | X | X | X | X | X | |
| 100 | NAS6604-42 | . Bolt | 12 | X | X | X | X | X | X | X |
| 100 | AN4-30A | . Bolt (Superseded by NAS6604-42) | 12 | X | X | X | X | X | X | X |
| 110▲ | NAS1149F0432P | . Washer | 32 | X | X | X | X | X | X | X |
| 110▲ | AN960-416L | . Washer (Alternate) | 32 | X | X | X | X | X | X | X |
| 120▲ | MS21044N4 | . Nut | 20 | X | X | X | X | X | X | X |
| 120▲ | AN365-428A | . Nut (Superseded by MS21044N4) | 20 | X | X | X | X | X | X | X |
| 130 | 28-17104-1 | . Wear Plate Weldment | 2 | X | X | X | X | X | X | X |
| 140 | NAS6603-40 | . Bolt | 12 | X | X | X | X | X | X | X |

ENSTROM F-28/280 SERIES ILLUSTRATED PARTS CATALOG

FIGURE 7-20. LANDING GEAR ASSEMBLY

| ITEM NUMBER | PART NUMBER | DESCRIPTION | QTY PER ASSY | MODELS AFFECTED | | | | | | |
|-------------|---------------|---|--------------|-----------------|-----|-------|------|-------|------|-------|
| | | | | F-28A | 280 | F-28C | 280C | F-28F | 280F | 280FX |
| 140 | AN3-27A | . Bolt (Superseded by NAS6603-40) | 12 | X | X | X | X | X | X | X |
| 150 | NAS1149F0363P | . Washer | 24 | X | X | X | X | X | X | X |
| 150 | AN960-10 | . Washer (Alternate) | 24 | X | X | X | X | X | X | X |
| 160 | MS21044N3 | . Nut | 12 | X | X | X | X | X | X | X |
| 160 | AN365-1032A | . Nut (Superseded by MS21044N3) | 12 | X | X | X | X | X | X | X |
| 170 | 28-17102-3 | . Skid Member Assembly | 2 | X | X | X | X | X | X | X |
| 180* | ECD085-3 | . End Cap Assembly (Option) | 2 | X | X | X | X | X | X | X |
| —* | ECD085-1 | . . End Cap Assembly | 2 | X | X | X | X | X | X | X |
| —* | ECD085-13 | . . . Cap | 2 | X | X | X | X | X | X | X |
| —* | 732RTV | . Silicone Sealant (Used with ECD085 only) | A/R | X | X | X | X | X | X | X |
| —** | 28-17159-11 | . End Cap | 4 | X | X | X | X | X | X | |
| — | 28-17106-1 | . Skid Plug, Fwd (Replaced by 28-17159-11) | 2 | X | X | X | X | X | X | |
| — | 28-17106-2 | . Skid Plug, Aft (Replaced by 28-17159-11) | 2 | X | X | X | X | X | X | |
| 190 | 6 X 3/8 | . PK Screw | 4 | X | X | X | X | X | X | X |
| 200 | 28-17122-1 | . Cross Beam Assembly, Aft | 1 | X | X | X | X | X | X | X |
| 210 | 28-17122-5 | . Cross Beam Assembly, Fwd | 1 | X | X | X | X | X | X | X |
| 220▲ | 28-17122-3 | . . Cross Tube | 2 | X | X | X | X | X | X | X |
| 230▲ | 28-17129-1 | . . End Fitting | 4 | X | X | X | X | X | X | X |
| 240▲ | NAS6604-50 | . . Bolt | 6 | X | X | X | X | X | X | X |
| 240▲ | AN4-34A | . . Bolt (Superseded by NAS6603-50) | 6 | X | X | X | X | X | X | X |
| 250▲ | NAS1149F0463P | . . Washer | 16 | X | X | X | X | X | X | X |
| 260▲ | MS21083N4 | . . Nut | 8 | X | X | X | X | X | X | X |
| 270● | NAS6604-56 | . . Bolt | 2 | X | X | X | X | X | X | X |
| 270● | AN4-37A | . . Bolt (Superseded by NAS6604-56) | 2 | X | X | X | X | X | X | X |
| 280▲ | 28-17101-7 | . . Clamp Weldment - Skid Gear | 4 | X | X | X | X | X | X | X |
| 280▲ | 28-17101-1 | . . Clamp Weldment – Skid Gear (Replaced by 28-17101-7) | 4 | X | X | X | X | X | X | X |

ENSTROM F-28/280 SERIES ILLUSTRATED PARTS CATALOG

FIGURE 7-20. LANDING GEAR ASSEMBLY

| ITEM NUMBER | PART NUMBER | DESCRIPTION | QTY PER ASSY | MODELS AFFECTED | | | | | | |
|-------------|---------------|-------------------------------------|--------------|-----------------|-----|-------|------|-------|------|-------|
| | | | | F-28A | 280 | F-28C | 280C | F-28F | 280F | 280FX |
| 290▲ | NAS6604-17 | . . Bolt | 8 | X | X | X | X | X | X | X |
| 290▲ | AN4-14A | . . Bolt (Superseded by NAS6604-17) | 8 | X | X | X | X | X | X | X |
| 300● | NAS6605-56 | . . Bolt | 2 | X | X | X | X | X | X | X |
| 300● | AN5-37A | . . Bolt (Superseded by NAS6605-56) | 2 | X | X | X | X | X | X | X |
| 310▲ | NAS1149F0563P | . . Washer | 16 | X | X | X | X | X | X | X |
| 320▲ | 28-17121-1 | . . Pivot Clamp Weldment | 4 | X | X | X | X | X | X | X |
| 330● | NAS6605-52 | . . Bolt | 2 | X | X | X | X | X | X | X |
| 330● | AN5-35A | . . Bolt (Superseded by NAS6605-52) | 2 | X | X | X | X | X | X | X |
| 340◆ | 28-17150-13 | . . Bolt | 4 | X | X | X | X | X | X | X |
| 350 | 28-17148-3 | . Landing Gear Oleo | 4 | | X | | X | | X | X |
| 360 | 28-17148-5 | . Landing Gear Oleo | 4 | X | | X | | X | | |
| - | 28-17123-1 | . . Link | 2 | X | X | X | X | X | X | X |
| -370** | 28-17148-7 | . Landing Gear Oleo | 4 | | | | | X | | |
| -** | 28-17306-1 | . . Link | 2 | | | | | X | | |
| - | 28-17135-11 | . . Bolt | 2 | X | X | X | X | X | X | X |
| - | NAS1149F0532P | . . Washer | 8 | X | X | X | X | X | X | X |
| - | AN960-516L | . . Washer (Alternate) | 8 | X | X | X | X | X | X | X |
| - | MS21083N5 | . . Nut | 2 | X | X | X | X | X | X | X |
| - | AN364-524A | . . Nut (Superseded by MS21083N5) | 2 | X | X | X | X | X | X | X |
| 380 | 28-17166-1 | . Cover - Aft Crosstube, L/H | 1 | X | X | X | X | X | X | X |
| -390 | 28-17166-2 | . Cover - Aft Crosstube. R/H | 1 | X | X | X | X | X | X | X |
| 400 | NAS6605-23 | . Bolt | 8 | X | X | X | X | X | X | X |
| 400 | AN5-17A | . Bolt (Superseded by NAS6605-23) | 8 | X | X | X | X | X | X | X |
| 410 | CCR274SS-3-04 | . Rivet | 2 | X | X | X | X | X | X | X |
| 420 | NAS6605-29 | . Bolt | 4 | X | X | X | X | X | X | X |
| 420 | AN5-22A | . Bolt (Superseded by NAS6605-29) | 4 | X | X | X | X | X | X | X |

ENSTROM F-28/280 SERIES ILLUSTRATED PARTS CATALOG

FIGURE 7-20. LANDING GEAR ASSEMBLY

| ITEM NUMBER | PART NUMBER | DESCRIPTION | QTY PER ASSY | MODELS AFFECTED | | | | | | |
|-------------|---------------|---|--------------|-----------------|-----|-------|------|-------|------|-------|
| | | | | F-28A | 280 | F-28C | 280C | F-28F | 280F | 280FX |
| 430 | 28-17150-1 | . Frame Attaching Bolt | 4 | X | X | X | X | X | X | X |
| 440 | MS21044N6 | . Nut | 4 | X | X | X | X | X | X | X |
| 450 | NAS1149F0632P | . Washer | 8 | X | X | X | X | X | X | X |
| - | 28-17000-1 | Ground Handling Wheel/Axle Installation | REF | X | X | X | X | X | X | X |
| 460 | ECD083-1 | . Wheel Assembly | 2 | X | X | X | X | X | X | X |
| 470 | 28-17002-11 | . Axle Assembly | 2 | X | X | X | X | X | X | X |
| 480 | 28-17001-101 | . Bracket Assembly (Weldment) | 2 | X | X | X | X | X | X | X |
| 490 | 28-17004-1 | . Washer | 2 | X | X | X | X | X | X | X |
| 500 | 5108-100 | . Retaining Ring | 2 | X | X | X | X | X | X | X |
| 510 | 28-17000-11 | . Shim .020" | A/R | X | X | X | X | X | X | X |
| 520 | 28-17000-13 | . Shim .025" | A/R | X | X | X | X | X | X | X |
| 530 | 28-17000-15 | . Shim .035" | A/R | X | X | X | X | X | X | X |
| 540 | KLIK-1185 | . Detent Pin | 2 | X | X | X | X | X | X | X |
| 540 | BLDS4-13W/LT | . Detent Pin (Replaced by KLIK-1185) | 2 | X | X | X | X | X | X | X |
| 550 | NAS6604-40 | . Bolt | 6 | X | X | X | X | X | X | X |
| 550 | AN4-27A | . Bolt (Superseded by NAS6604-40) | 6 | X | X | X | X | X | X | X |
| 560 | MS21083N12 | . Nut | 2 | X | X | X | X | X | X | X |
| 560 | AN364-1216A | . Nut (Superseded by MS21083N12) | 2 | X | X | X | X | X | X | X |
| 570 | NAS1149C1290R | . Washer | 2 | X | X | X | X | X | X | X |
| 570 | AN960-C1216 | . Washer (Alternate) | 2 | X | X | X | X | X | X | X |

- * Used on aircraft equipped without floats.
- ** F-28F float installation only.
- ▲ Parts used in 28-17122-1 and 28-17122-5 assemblies.
- Part used in 28-17122-1 assembly.
- ◆ Part used in 28-17122-5 assembly.

ENSTROM F-28/280 SERIES ILLUSTRATED PARTS CATALOG

|

INTENTIONALLY LEFT BLANK

ENSTROM F-28/280 SERIES ILLUSTRATED PARTS CATALOG

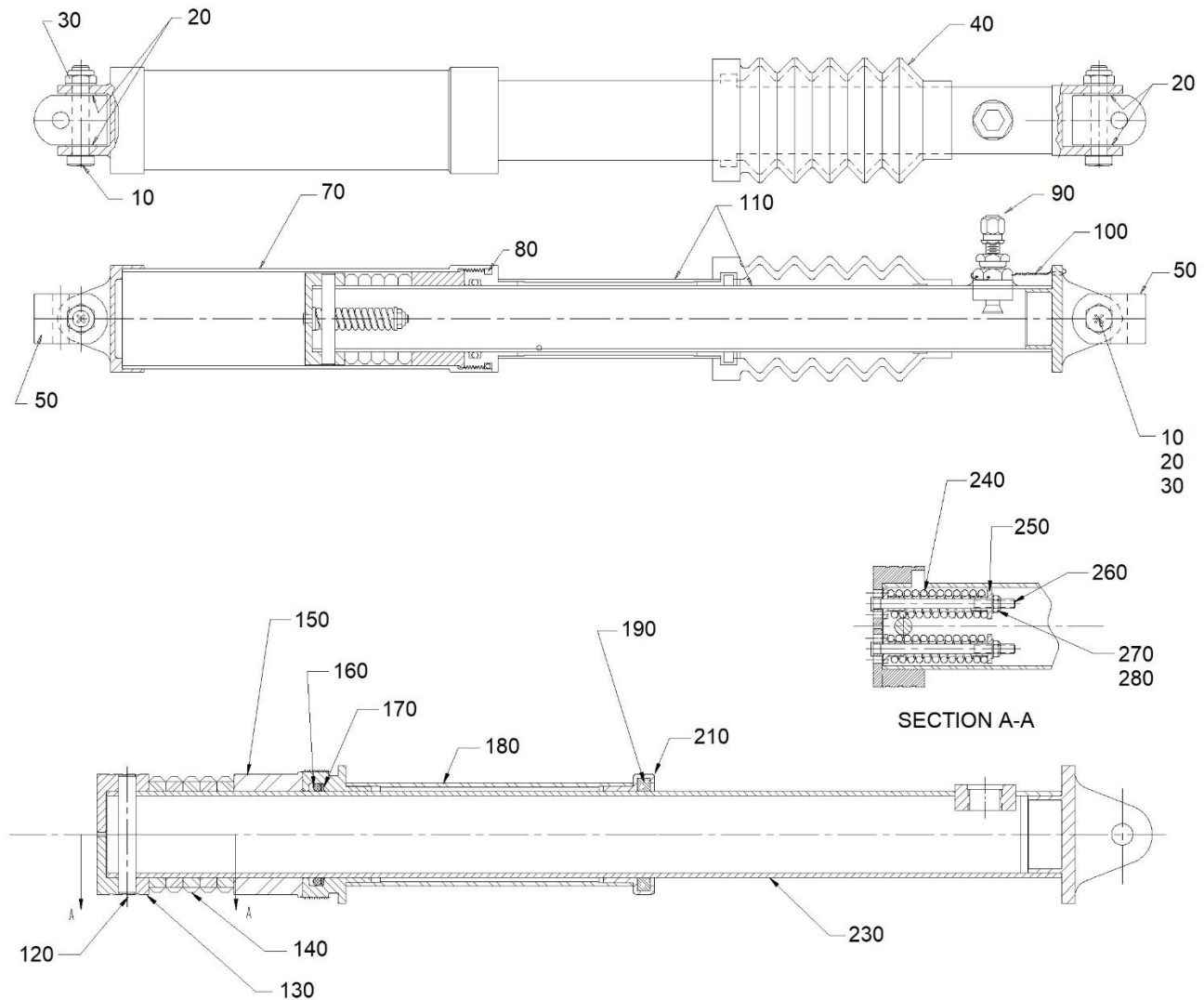


FIGURE 7-21. OLEO STRUT ASSEMBLY

ENSTROM F-28/280 SERIES ILLUSTRATED PARTS CATALOG

FIGURE 7-21. OLEO STRUT ASSEMBLY

| ITEM NUMBER | PART NUMBER | DESCRIPTION | QTY PER ASSY | MODELS AFFECTED | | | | | | |
|-------------|---------------|--|--------------|-----------------|-----|-------|------|-------|------|-------|
| | | | | F-28A | 280 | F-28C | 280C | F-28F | 280F | 280FX |
| - | 28-17148-1 | Landing Gear Oleo Assembly (Obsolete) | REF | X | X | X | X | X | X | X |
| - | 28-17148-2 | Landing Gear Oleo Assembly (Float Installation) (Obsolete) | REF | X | X | X | X | X | X | |
| - | 28-17148-3 | Landing Gear Oleo Assembly | REF | | | | | | | X |
| - | 28-17148-5 | Landing Gear Oleo Assembly | REF | X | X | X | X | X | X | |
| - | 28-17148-7 | Landing Gear Oleo Assembly (Float Installation) | REF | X | X | X | X | X | X | X |
| 10 | 28-17135-11 | . Bolt | 2 | X | X | X | X | X | X | X |
| 20 | NAS1149F0532P | . Washer | 8 | X | X | X | X | X | X | X |
| 20 | AN960-516L | . Washer (Alternate) | 8 | X | X | X | X | X | X | X |
| 30 | MS21083N4 | . Nut | 2 | X | X | X | X | X | X | X |
| 30 | AN364-524A | . Nut (Superseded by MS21083N4) | 2 | X | X | X | X | X | X | X |
| 40 | 28-17158-1 | . Strut Cover | 1 | X | X | X | X | X | X | |
| 50 | 28-17123-1 | . Link (Used with 28-17148-3 & 28-17148-5) | 2 | X | X | X | X | X | X | X |
| -60 | 28-17306-1 | . Link (Used with 28-17148-7) | 2 | X | X | X | X | X | X | X |
| 70 | 28-17140-1 | . Cylinder Assembly | 1 | X | X | X | X | X | X | X |
| 80* | 2-131 N304-75 | . O-Ring | 1 | X | X | X | X | X | X | X |
| - | 471-RED | . Red Vinyl Tape | A/R | X | X | X | X | X | X | X |
| 90 | MS28889-2 | . Strut Valve | 1 | X | X | X | X | X | X | X |
| 100 | MS20995C32 | . Safety Wire | A/R | X | X | X | X | X | X | X |
| 110 | 28-17147-7 | . Piston Shaft Assembly | 1 | X | X | X | X | X | X | X |
| 120 | 28-17147-3 | . . Pin | 1 | X | X | X | X | X | X | X |
| 130 | 28-17145-1 | . . Piston | 1 | X | X | X | X | X | X | X |
| 140 | 28-17151-1 | . . Rebound Ring | 5 | X | X | X | X | X | X | X |
| 150 | 28-17149-1 | . . Spacer | 1 | X | X | X | X | X | X | X |
| 160◇ | MS28775-218 | . . O-Ring | 1 | X | X | X | X | X | X | X |
| 170 | 8-218-N300-9 | . . Back-Up Ring | 1 | X | X | X | X | X | X | X |
| 180 | 28-17144-5 | . . Seal Housing Assembly | 1 | X | X | X | X | X | X | X |
| 180 | 28-17144-1 | . . Seal Housing Assembly (Replaced by 28-17144-5) | 1 | X | X | X | X | X | X | X |

ENSTROM F-28/280 SERIES ILLUSTRATED PARTS CATALOG

FIGURE 7-21. OLEO STRUT ASSEMBLY

| ITEM NUMBER | PART NUMBER | DESCRIPTION | QTY PER ASSY | MODELS AFFECTED | | | | | | |
|-------------|---------------|--|--------------|-----------------|-----|-------|------|-------|------|-------|
| | | | | F-28A | 280 | F-28C | 280C | F-28F | 280F | 280FX |
| 190● | D1250 | . . Wiper Seal | 1 | X | X | X | X | X | X | X |
| -200▲ | 28-17154-1 | . . Wiper | 1 | X | X | X | X | X | X | X |
| 210● | 28-17153-13 | . . Guide | 1 | X | X | X | X | X | X | X |
| -220▲ | 28-17153-1 | . . Guide | 1 | X | X | X | X | X | X | X |
| 230 | 28-17146-7 | . . Piston Tube Assembly | 1 | X | X | X | X | X | X | X |
| 230 | 28-17146-1 | . . Piston Tube Assembly (Superseded by 28-17146-7) | 1 | X | X | X | X | X | X | X |
| 240 | 28-17155-1 | . . Valve Spring | 2 | X | X | X | X | X | X | X |
| 250 | 28-17156-3 | . . Valve Piston | 4 | X | X | X | X | X | X | X |
| 250 | 28-17156-1 | . . Valve Piston (Superseded by 28-17156-3) | 4 | X | X | X | X | X | X | X |
| 260 | 28-17157-1 | . . Shaft | 2 | X | X | X | X | X | X | X |
| 270 | NAS1149FN632P | . . Washer | 2 | X | X | X | X | X | X | X |
| 270 | AN960-6 | . . Washer (Alternate) | 2 | X | X | X | X | X | X | X |
| 280 | MS21044N06 | . . Nut | 2 | X | X | X | X | X | X | X |
| 280 | AN365-632A | . . Nut (Superseded by MS21044N06) | 2 | X | X | X | X | X | X | X |

* MS28775-131 is an acceptable alternate.

◇ 2-218 is an acceptable alternate.

● For aircraft produced after 5/20/85 through 5/12/03, use D1250 wiper with 28-17153-13 guide.

▲ For aircraft produced prior to 5/20/85, use 28-17154-1 wiper with 28-17153-1 guide.

ENSTROM F-28/280 SERIES ILLUSTRATED PARTS CATALOG

INTENTIONALLY LEFT BLANK

ENSTROM F-28/280 SERIES ILLUSTRATED PARTS CATALOG

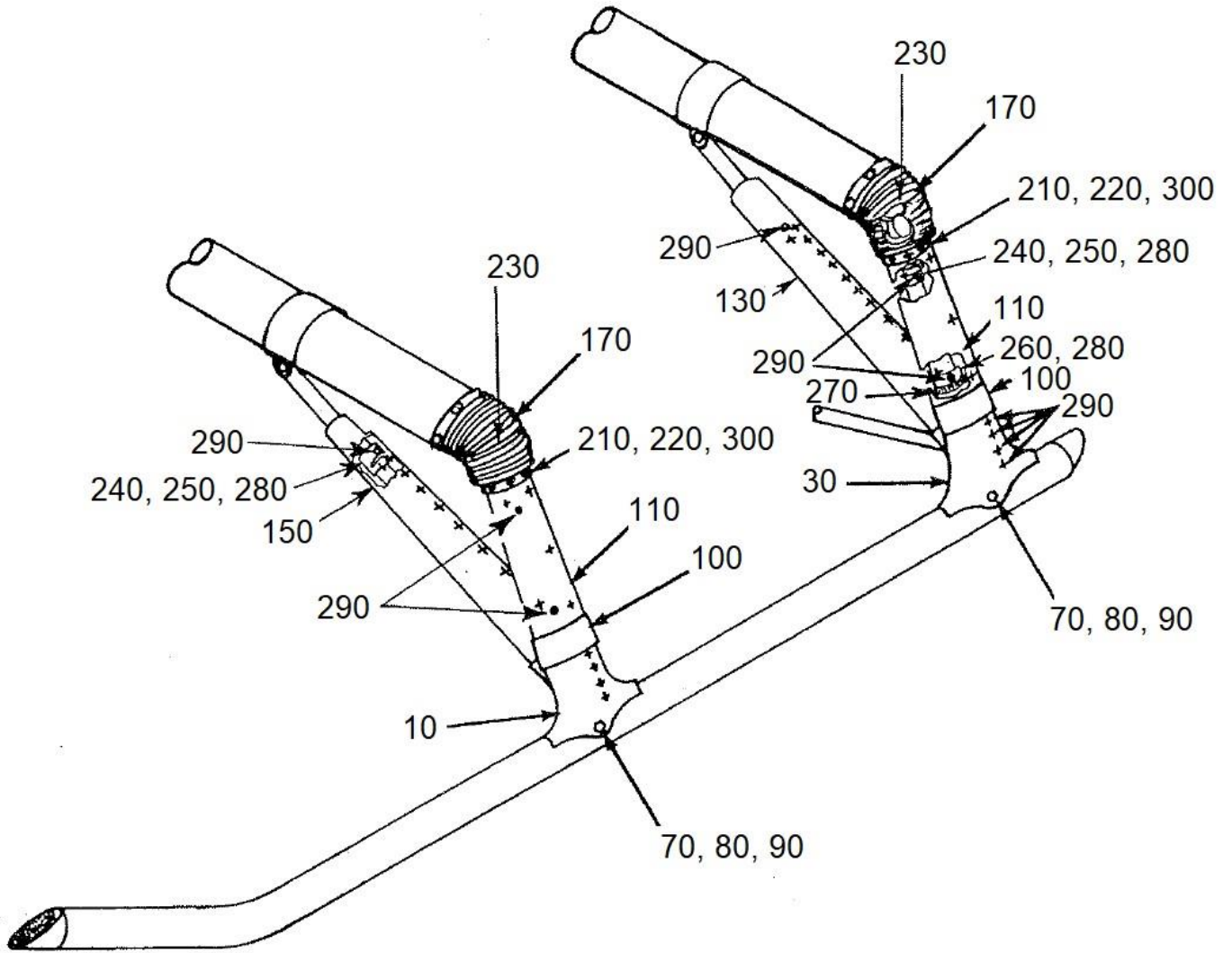


FIGURE 7-22. LANDING GEAR FAIRINGS

ENSTROM F-28/280 SERIES ILLUSTRATED PARTS CATALOG

FIGURE 7-22. LANDING GEAR FAIRINGS

| ITEM NUMBER | PART NUMBER | DESCRIPTION | QTY PER ASSY | MODELS AFFECTED | | | | | | |
|-------------|---------------|--|--------------|-----------------|-----|-------|------|-------|------|-------|
| | | | | F-28A | 280 | F-28C | 280C | F-28F | 280F | 280FX |
| - | 28-17142-1 | Fairings Assembly (No Step) | REF | | | | | | | X |
| - | 28-17142-3 | Fairings Assembly (No Step & Oleo Extenders) | REF | | | | | | | X |
| - | 28-17142-5 | Fairings Assembly (Step) | REF | | | | | | | X |
| - | 28-17142-7 | Fairings Assembly (Step & Oleo Extenders) | REF | | | | | | | X |
| 10* | 28-17141-1 | . Fairing, L/H | 1 | | | | | | | X |
| -20* | 28-17141-2 | . Fairing, R/H | 1 | | | | | | | X |
| 30 | 28-17141-3 | . Fairing, L/H | 1 | | | | | | | X |
| -40 | 28-17141-4 | . Fairing, R/H | 1 | | | | | | | X |
| -50● | 28-17141-5 | . Fairing, L/H | 1 | | | | | | | X |
| -60● | 28-17141-6 | . Fairing, R/H | 1 | | | | | | | X |
| 70 | NAS6604-44 | . Bolt | 4 | | | | | | | X |
| 70 | AN4-31A | . Bolt (Superseded by NAS6604-44) | 4 | | | | | | | X |
| 80 | NAS1149F0432P | . Washer | 8 | | | | | | | X |
| 80 | AN960-416L | . Washer (Alternate) | 8 | | | | | | | X |
| 90 | MS20365-425 | . Nut | 4 | | | | | | | X |
| 90 | AN365-425 | . Nut (Alternate) | 4 | | | | | | | X |
| 100 | 28-17120-11 | . Sleeve | 4 | | | | | | | X |
| 110 | 28-17108-1 | . Fairing, L/H | 2 | | | | | | | X |
| -120 | 28-17108-2 | . Fairing, R/H | 2 | | | | | | | X |
| 130 | 28-17139-1 | . Fairing, Aft, L/H | 1 | | | | | | | X |
| -140 | 28-17139-2 | . Fairing, Aft, R/H | 1 | | | | | | | X |
| 150 | 28-17139-3 | . Fairing, Fwd, L/H | 1 | | | | | | | X |
| -160 | 28-17139-4 | . Fairing, Fwd, R/H | 1 | | | | | | | X |
| 170 | 28-17119-15 | . Boot | 4 | | | | | | | X |
| 170 | 28-17119-11 | . Boot, L/H (Replaced by 28-17119-15) | 2 | | | | | | | X |
| -180 | 28-17119-12 | . Boot, R/H (Replaced by 28-17119-15) | 2 | | | | | | | X |

ENSTROM F-28/280 SERIES ILLUSTRATED PARTS CATALOG

FIGURE 7-22. LANDING GEAR FAIRINGS

| ITEM NUMBER | PART NUMBER | DESCRIPTION | QTY PER ASSY | MODELS AFFECTED | | | | | | |
|-------------|-------------|---|--------------|-----------------|-----|-------|------|-------|------|-------|
| | | | | F-28A | 280 | F-28C | 280C | F-28F | 280F | 280FX |
| -190 | 28-17119-13 | . Boot, L/H (Replaced by 28-17119-15) | 2 | | | | | | | X |
| -200 | 28-17119-14 | . Boot, R/H (Replaced by 28-17119-15) | 2 | | | | | | | X |
| 210 | 28-17161-11 | . Strap | 4 | | | | | | | X |
| 220 | 28-17162-11 | . Washer | 4 | | | | | | | X |
| 230 | 28-17138-1 | . Support | 4 | | | | | | | X |
| 240 | 28-17113-13 | . Clamp | 8 | | | | | | | X |
| 250 | 20020S | . Clamp | 8 | | | | | | | X |
| 260 | 28-17143-11 | . Clamp | 4 | | | | | | | X |
| 270 | 20024S | . Clamp | 4 | | | | | | | X |
| 280 | A01789-8Z1D | . Tinnerman Nut | A/R | | | | | | | X |
| 280 | A1787-8Z-1 | . Tinnerman Nut (Superseded by A01789-8Z1D) | A/R | | | | | | | X |
| 290 | 8 X 1/2 | . Screw | A/R | | | | | | | X |
| 300 | 8 X 3/8 | . Screw | 2 | | | | | | | X |

* Used in 28-17142-1 and 28-17142-3.

• Used in 28-17142-5 and 28-17142-7.

ENSTROM F-28/280 SERIES ILLUSTRATED PARTS CATALOG

INTENTIONALLY LEFT BLANK

ENSTROM F-28/280 SERIES ILLUSTRATED PARTS CATALOG

SECTION 8

FLIGHT CONTROLS

TABLE OF CONTENTS

| | | |
|----------------------|---|------|
| | Cover Page | 8-1 |
| | Table of Contents | 8-1 |
| 8-1 | Lower Swashplate Assembly | 8-2 |
| 8-2 | Lower Swashplate Installation | 8-3 |
| 8-3 | Lower Swashplate Control Rod Attachment | 8-5 |
| 8-3A | Upper Swashplate Assembly & Control Attachment | 8-6 |
| 8-4 | Main Rotor Pitch Change Controls | 8-7 |
| 8-5 | Cyclic Control Assembly | 8-8 |
| 8-5A | Cyclic Control Stick Installation | 8-18 |
| 8-6 | Trim Spring Mechanical Installation | 8-21 |
| 8-6A | Lateral and Longitudinal Bias Spring Installation | 8-23 |
| 8-7 | Lateral Trim with Bias Spring Installation | 8-25 |
| 8-8 | Trim Actuator Capsule Installation | 8-27 |
| 8-9 | Lateral Trim Assembly | 8-29 |
| 8-10 | Longitudinal Trim Assembly | 8-32 |
| 8-11 | Collective Trim, Spring Capsule | 8-35 |
| 8-12 | Co-Pilots Collective Assembly | 8-37 |
| 8-13 | Pilots Collective Assembly | 8-39 |
| 8-14 | Collective Control System Torque Shaft Assembly | 8-41 |
| 8-15 | Collective Control System Torque Shaft Assembly | 8-44 |
| 8-16 | Collective Control Reversing Bellcrank | 8-46 |
| 8-16A | Collective Control Push-Pull Rod Attachment | 8-47 |
| 8-16B | Collective Reversing Bellcrank Pivot | 8-48 |
| 8-17 | Collective Stick Friction Control | 8-50 |

ENSTROM F-28/280 SERIES ILLUSTRATED PARTS CATALOG

INTENTIONALLY LEFT BLANK

ENSTROM F-28/280 SERIES ILLUSTRATED PARTS CATALOG

FIGURE 8-1. LOWER SWASHPLATE ASSEMBLY

| ITEM NUMBER | PART NUMBER | DESCRIPTION | QTY PER ASSY | MODELS AFFECTED | | | | | | |
|-------------|---------------|--|--------------|-----------------|-----|-------|------|-------|------|-------|
| | | | | F-28A | 280 | F-28C | 280C | F-28F | 280F | 280FX |
| -▲ | 28-16101-101 | Lower Swashplate Assembly | REF | X | X | X | X | X | X | X |
| 10Δ | 28-16123-11 | . Bolt | 1 | X | X | X | X | X | X | X |
| 10Δ | 28-16123-1 | . Bolt (Superseded by 28-16123-11) | 1 | X | X | X | X | X | X | X |
| 20 | 28-16361-1 | . Housing | 1 | X | X | X | X | X | X | X |
| 30 | ECD009-11 | . Bearing | 1 | X | X | X | X | X | X | X |
| 40 | N5002-125-PP | . Retaining Ring | 1 | X | X | X | X | X | X | X |
| 50 | 28-16228-1 | . Spacer | 1 | X | X | X | X | X | X | X |
| 60 | 28-16387-1 | . Slinger | 1 | X | X | X | X | X | X | X |
| 70 | 1911-B1 | . Lube Fitting | 1 | X | X | X | X | X | X | X |
| 70 | 1637-B | . Lube Fitting (Superseded by 1911-B1) | 1 | X | X | X | X | X | X | X |
| 80* | 28-16119-5 | . Universal Housing (Lower) (Preferred Part) | 1 | X | X | X | X | X | X | X |
| 80* | 28-16119-3 | . Universal Housing (Lower) (Alternate) | 1 | X | X | X | X | X | X | X |
| 90 | MS18066-14 | . Set Screw (Used with 28-16119-5) | 1 | X | X | X | X | X | X | X |
| 100 | NAS1149F0732P | . Washer | 1 | X | X | X | X | X | X | X |
| 100 | AN960-716L | . Washer (Alternate) | 1 | X | X | X | X | X | X | X |
| 110 | NAS1149F0632P | . Washer | 1 | X | X | X | X | X | X | X |
| 110 | AN960-616L | . Washer (Alternate) | 1 | X | X | X | X | X | X | X |
| 120 | AN320-7 | . Nut | 1 | X | X | X | X | X | X | X |
| 120 | F12NE4717-070 | . Nut (Superseded by AN320-7) | 1 | X | X | X | X | X | X | X |
| 130 | MS24665-300 | . Cotter Pin | 3 | X | X | X | X | X | X | X |
| 140 | MS24665-302 | . Cotter Pin | 1 | X | X | X | X | X | X | X |
| 140 | AN381-3-16 | . Cotter Pin (Superseded by MS24665-302) | 4 | X | X | X | X | X | X | X |
| 150 | AN320-6 | . Nut | 3 | X | X | X | X | X | X | X |
| 160 | 28-16227-3 | . Washer Assembly | 3 | X | X | X | X | X | X | X |
| 170 | 28-16263-5 | . DU Washer | 4 | X | X | X | X | X | X | X |

ENSTROM F-28/280 SERIES ILLUSTRATED PARTS CATALOG

FIGURE 8-1. LOWER SWASHPLATE ASSEMBLY

| ITEM NUMBER | PART NUMBER | DESCRIPTION | QTY PER ASSY | MODELS AFFECTED | | | | | | |
|-------------|-------------|--|--------------|-----------------|-----|-------|------|-------|------|-------|
| | | | | F-28A | 280 | F-28C | 280C | F-28F | 280F | 280FX |
| 180 | 28-16524-3 | . Shim, .020" | A/R | X | X | X | X | X | X | X |
| 180 | 28-16524-4 | . Shim, .015" | A/R | X | X | X | X | X | X | X |
| 180 | 28-16524-5 | . Shim, .005" | A/R | X | X | X | X | X | X | X |
| 180 | 28-16524-6 | . Shim, .003" | A/R | X | X | X | X | X | X | X |
| 180 | 28-16524-7 | . Shim, .002" | A/R | X | X | X | X | X | X | X |
| 180 | 28-16524-8 | . Shim, .001" | A/R | X | X | X | X | X | X | X |
| 190 | 08DU08 | . Bearing | 4 | X | X | X | X | X | X | X |
| 200 | 28-16226-5 | . Sleeve | 4 | X | X | X | X | X | X | X |
| 210 | 28-16223-19 | . Shaft | 1 | X | X | X | X | X | X | X |
| 220◆ | 28-16116-11 | . Universal Housing (Upper) | 1 | X | X | X | X | X | X | X |
| 220◆ | 28-16116-1 | . Universal Housing (Upper) (Superseded by 28-16116-11) | 1 | X | X | X | X | X | X | X |
| 230 | 28-16224-5 | . Tie Rod Assembly | 1 | X | X | X | X | X | X | X |
| 240 | 28-16225-19 | . Spacer | 2 | X | X | X | X | X | X | X |

▲ Available as a remanufactured part (-R).

* Effectivity F-28F S/N 825 – subsequent and 280FX S/N 2135 – subsequent. Retrofittable to F-28F S/N 509 – subsequent and 280FX S/N 2001 – subsequent.

◆ Effectivity F-28F S/N 831 – subsequent and 280FX S/N 2136 – subsequent. Retrofittable to F-28F S/N 509 – subsequent and 280FX S/N 2001 – subsequent.

△ Effectivity F-28F S/N 833 – subsequent and 280FX S/N 2148 – subsequent. Retrofittable to F-28F S/N 509 – subsequent and 280FX S/N 2001 – subsequent.

ENSTROM F-28/280 SERIES ILLUSTRATED PARTS CATALOG

I

INTENTIONALLY LEFT BLANK

ENSTROM F-28/280 SERIES ILLUSTRATED PARTS CATALOG

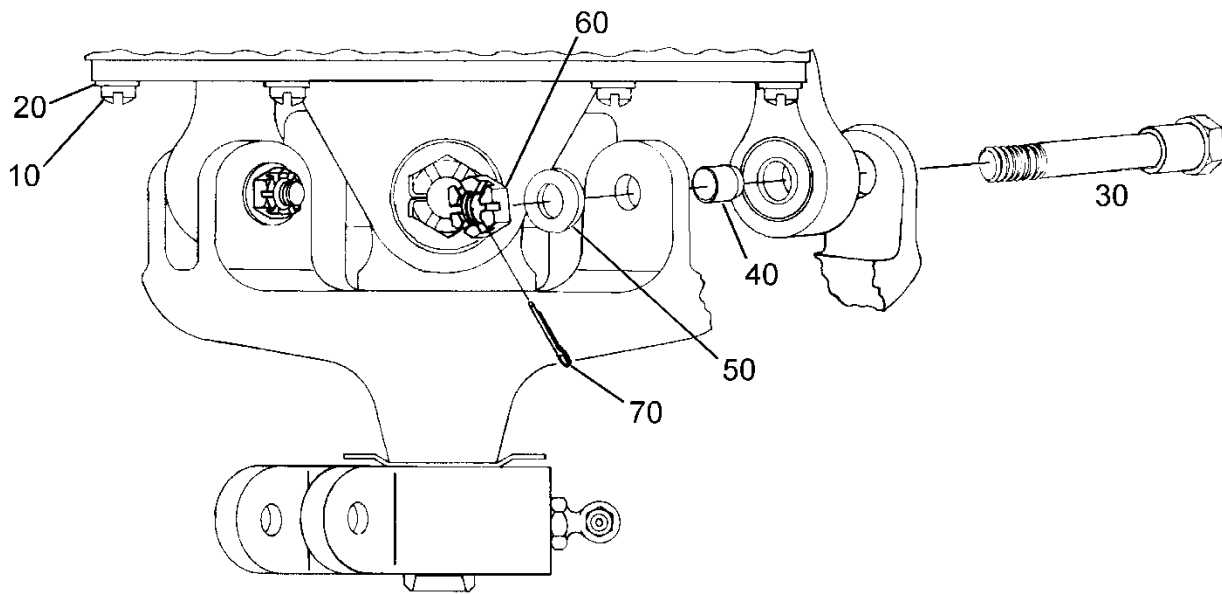


FIGURE 8-2. LOWER SWASHPLATE INSTALLATION

ENSTROM F-28/280 SERIES ILLUSTRATED PARTS CATALOG

FIGURE 8-2. LOWER SWASHPLATE INSTALLATION

| ITEM NUMBER | PART NUMBER | DESCRIPTION | QTY PER ASSY | MODELS AFFECTED | | | | | | |
|-------------|---------------|---|--------------|-----------------|-----|-------|------|-------|------|-------|
| | | | | F-28A | 280 | F-28C | 280C | F-28F | 280F | 280FX |
| 10 | MS20074-304 | . Bolt | 6 | X | X | X | X | X | X | X |
| 10 | AN503-10-10 | . Screw (Superseded by MS20074-304) | 6 | X | X | X | X | X | X | X |
| 20 | NAS1149F0363P | . Washer | 6 | X | X | X | X | X | X | X |
| 20 | AN960-10 | . Washer (Alternate) | 6 | X | X | X | X | X | X | X |
| 30 | 28-16129-2 | . Bolt | 3 | X | X | X | X | X | X | X |
| 40 | 28-16124-1 | . Spacer | 3 | X | X | X | X | X | X | X |
| 50 | NAS1149F0432P | . Washer | 3 | X | X | X | X | X | X | X |
| 50 | AN960-416L | . Washer (Alternate) | 3 | X | X | X | X | X | X | X |
| 60 | MS17826-4 | . Nut | 3 | X | X | X | X | X | X | X |
| 60 | F12NE4717-048 | . Nut (Superseded by MS17826-4) | 3 | X | X | X | X | X | X | X |
| 70 | MS24665-1013 | . Cotter Pin | 3 | X | X | X | X | X | X | X |
| 70 | AN381-2-7 | . Cotter Pin (Superseded by MS24665-1013) | 3 | X | X | X | X | X | X | X |

ENSTROM F-28/280 SERIES ILLUSTRATED PARTS CATALOG

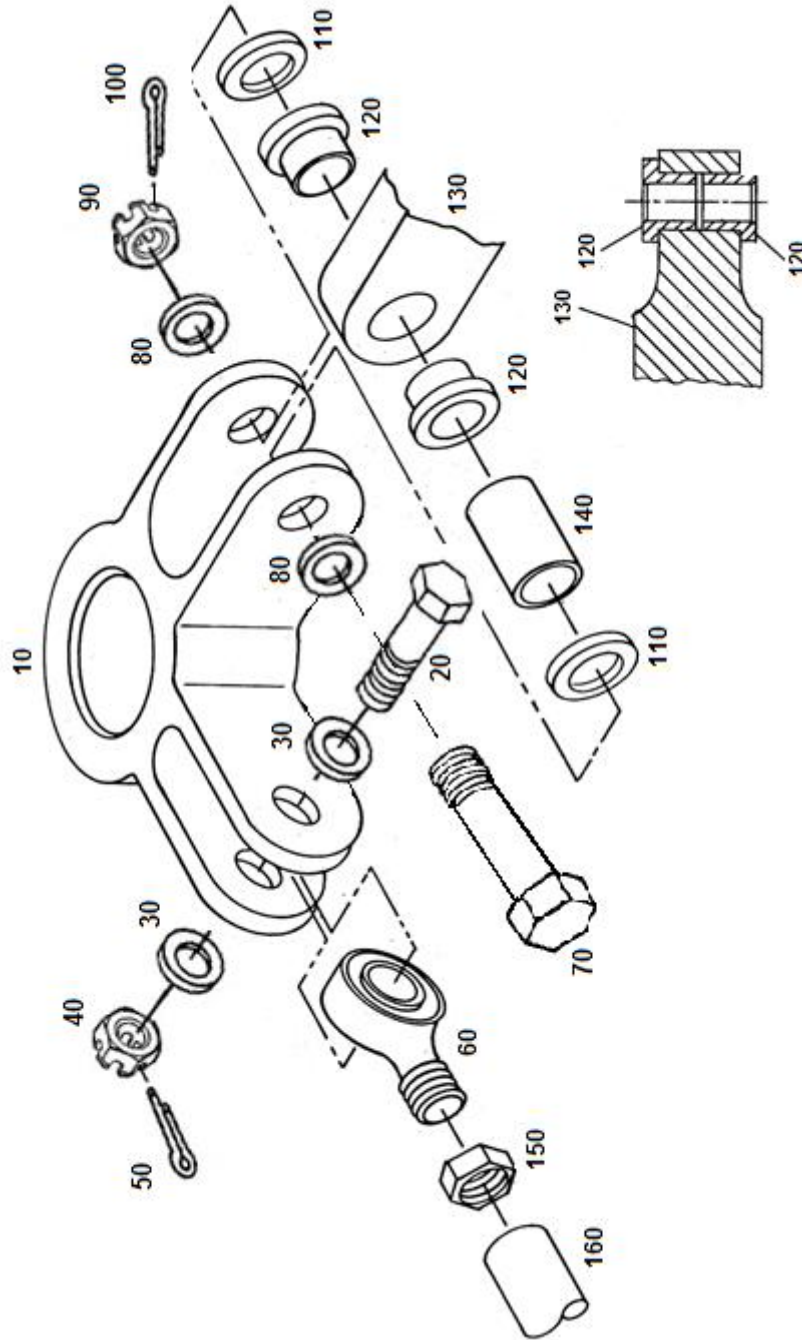


FIGURE 8-3. LOWER SWASHPLATE CONTROL ROD ATTACHMENT

ENSTROM F-28/280 SERIES ILLUSTRATED PARTS CATALOG

FIGURE 8-3. LOWER SWASHPLATE CONTROL ROD ATTACHMENT

| ITEM NUMBER | PART NUMBER | DESCRIPTION | QTY PER ASSY | MODELS AFFECTED | | | | | | |
|-------------|----------------|--|--------------|-----------------|-----|-------|------|-------|------|-------|
| | | | | F-28A | 280 | F-28C | 280C | F-28F | 280F | 280FX |
| - | 28-16024 | Control System | REF | X | X | X | X | X | X | X |
| 10 | 28-16361-1 | . Bearing Housing | 1 | X | X | X | X | X | X | X |
| 20 | NAS6605D13 | . Bolt | 1 | X | X | X | X | X | X | X |
| 20 | AN5-12 | . Bolt (Superseded by NAS6605D13) | 1 | X | X | X | X | X | X | X |
| 30 | NAS1149F0563P | . Washer | 2 | X | X | X | X | X | X | X |
| 30 | AN960-516 | . Washer (Alternate) | 2 | X | X | X | X | X | X | X |
| 40 | MS17825-5 | . Nut | 1 | X | X | X | X | X | X | X |
| 40 | F12NE-4753-054 | . Nut (Superseded by MS17825-5) | 1 | X | X | X | X | X | X | X |
| 50 | MS24665-152 | . Cotter Pin | 1 | X | X | X | X | X | X | X |
| 50 | AN381-2-10 | . Cotter Pin (Superseded by MS24665-152) | 1 | X | X | X | X | X | X | X |
| 60 | HMVV-5M | . Rod End | 1 | X | X | X | X | X | X | X |
| 60 | HMVV-5 | . Rod End (Superseded by HMVV-5M) | 1 | X | X | X | X | X | X | X |
| 70 | NAS6604D17 | . Bolt | 1 | X | X | X | X | X | X | X |
| 70 | AN4-14 | . Bolt (Superseded by NAS6604D17) | 1 | X | X | X | X | X | X | X |
| 80 | NAS1149F0463P | . Washer | 2 | X | X | X | X | X | X | X |
| 80 | AN960-416 | . Washer (Alternate) | 2 | X | X | X | X | X | X | X |
| 90 | MS17825-4 | . Nut | 2 | X | X | X | X | X | X | X |
| 90 | F12NE-4753-048 | . Nut (Superseded by MS17825-4) | 1 | X | X | X | X | X | X | X |
| 100 | MS24665-151 | . Cotter Pin | 1 | X | X | X | X | X | X | X |
| 100 | AN381-2-8 | . Cotter Pin (Superseded by MS24665-151) | 1 | X | X | X | X | X | X | X |
| 110 | ECD050-11 | . 1/4 Washer | 2 | X | X | X | X | X | X | X |
| 110 | 1/4 Harper | . Washer (Superseded by ECD050-11) | 2 | X | X | X | X | X | X | X |
| 120 | 28-16156-1 | . Bearing | 2 | X | X | X | X | X | X | X |
| 130 | 28-16198-1 | . Push-Pull Rod | 1 | X | X | X | X | X | X | X |

ENSTROM F-28/280 SERIES ILLUSTRATED PARTS CATALOG

FIGURE 8-3. LOWER SWASHPLATE CONTROL ROD ATTACHMENT

| ITEM NUMBER | PART NUMBER | DESCRIPTION | QTY PER ASSY | MODELS AFFECTED | | | | | | |
|-------------|-------------|--------------------------------|--------------|-----------------|-----|-------|------|-------|------|-------|
| | | | | F-28A | 280 | F-28C | 280C | F-28F | 280F | 280FX |
| 140 | 28-16219-1 | . Spacer | 1 | X | X | X | X | X | X | X |
| 150 | AN316-5R | . Nut | 1 | X | X | X | X | X | X | X |
| 150 | AN316-5 | . Nut (Superseded by AN316-5R) | 1 | X | X | X | X | X | X | X |
| 160 | 28-16197-1 | . Push-Pull Rod | 1 | X | X | X | X | X | X | X |

ENSTROM F-28/280 SERIES ILLUSTRATED PARTS CATALOG

I

INTENTIONALLY LEFT BLANK

ENSTROM F-28/280 SERIES ILLUSTRATED PARTS CATALOG

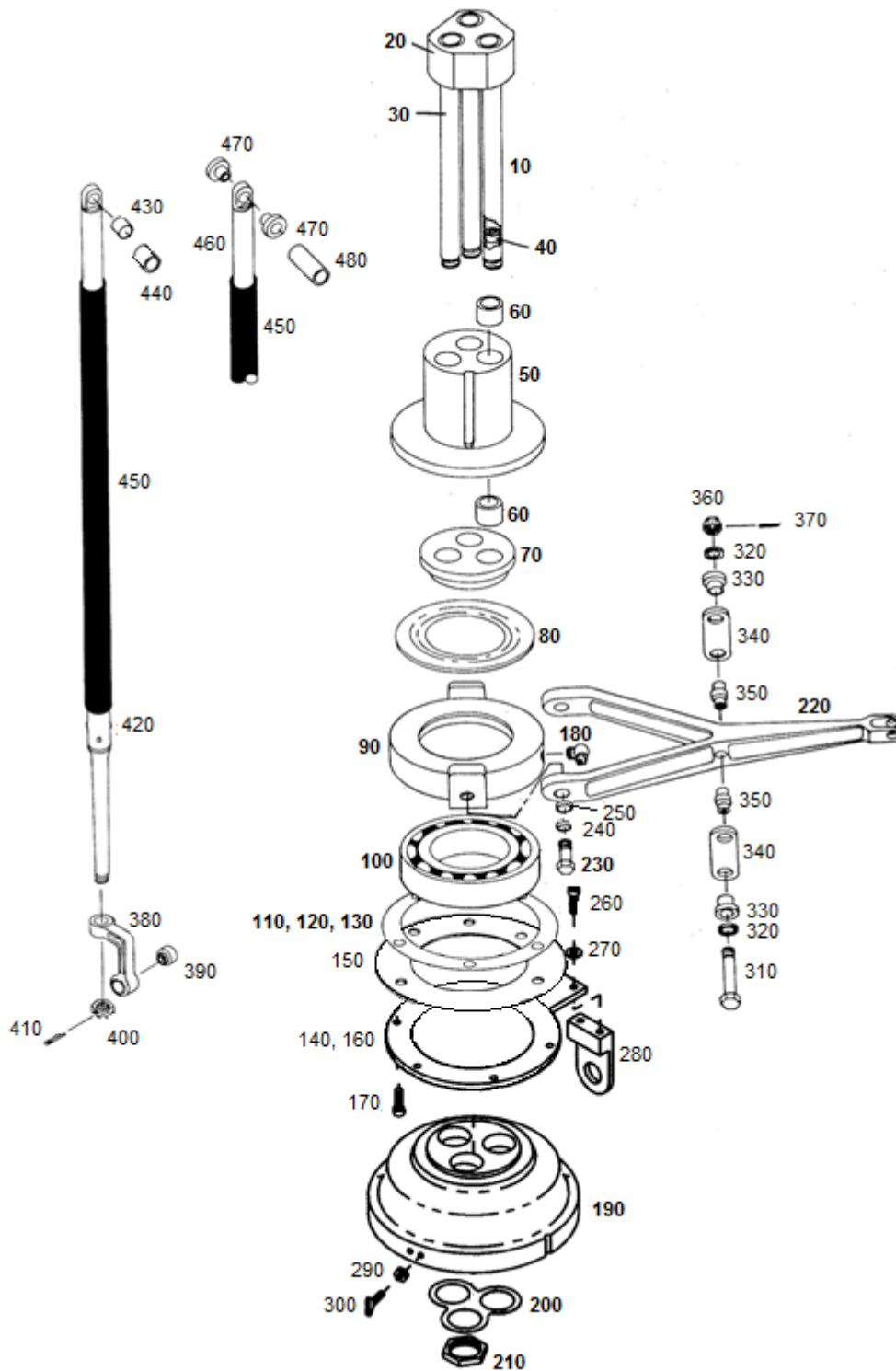


FIGURE 8-3A. UPPER SWASHPLATE ASSEMBLY & CONTROL ATTACHMENT

ENSTROM F-28/280 SERIES ILLUSTRATED PARTS CATALOG

FIGURE 8-3A. UPPER SWASHPLATE ASSEMBLY & CONTROL ATTACHMENT

| ITEM NUMBER | PART NUMBER | DESCRIPTION | QTY PER ASSY | MODELS AFFECTED | | | | | | |
|-------------|--------------|---|--------------|-----------------|-----|-------|------|-------|------|-------|
| | | | | F-28A | 280 | F-28C | 280C | F-28F | 280F | 280FX |
| – ▼ | 28-16101-107 | Upper Swashplate Assembly | REF | X | X | X | X | X | X | X |
| 10 | 28-16260-1 | . Shaft Guide Assembly | 1 | X | X | X | X | X | X | X |
| 20 | 28-16259-1 | . Retainer | 1 | X | X | X | X | X | X | X |
| 30 | 28-16105-1 | . Shaft Guide | 3 | X | X | X | X | X | X | X |
| 40 | 28-16264-1 | . Bushing | 3 | X | X | X | X | X | X | X |
| 50 | 28-16103-1 | . Housing | 1 | X | X | X | X | X | X | X |
| 60 | 16-DU-14 | . Bearing | 6 | X | X | X | X | X | X | X |
| 60 | 16-DU-16 | . Bearing (Alternate to 16-DU-14) | 6 | X | X | X | X | X | X | X |
| 60 | 16-DU-12 | . Bearing (Superseded by 16-DU-16) | 6 | X | X | X | X | X | X | X |
| 70 | 28-16106-2 | . Bearing Spacer | 1 | X | X | X | X | X | X | X |
| 80 | 28-16386-1 | . Slinger | 1 | X | X | X | X | X | X | X |
| 90 | 28-16108-11 | . Bearing Housing | 1 | X | X | X | X | X | X | X |
| 90 | 28-16108-2 | . Bearing Housing (Superseded by 28-16108-11) | 1 | X | X | X | X | X | X | X |
| 100 | ECD013-11 | . Bearing (Used with 28-16108-11) | 1 | X | X | X | X | X | X | X |
| – | ECD013-13 | . Bearing (Used with 28-16108-2) | 1 | X | X | X | X | X | X | X |
| 110 | 28-16125-3 | . Shim .005 | A/R | X | X | X | X | X | X | X |
| 120 | 28-16125-4 | . Shim .003 | A/R | X | X | X | X | X | X | X |
| 130 | 28-16125-5 | . Shim .002 | A/R | X | X | X | X | X | X | X |
| 140** | 28-16043-19 | . Bracket Retainer | 1 | X | X | X | X | X | X | X |
| 150∞ | 28-16389-2 | . Seal Retainer (Superseded by 28-16043-19) | 1 | X | X | X | X | X | X | X |
| 160∞ | 28-16110-1 | . Retainer (Superseded by 28-16043-19) | 1 | X | X | X | X | X | X | X |
| 170 | AN503-10-10 | . Screw | 6 | X | X | X | X | X | X | X |
| 180 | 1637-B1 | . Lube Fitting | 1 | X | X | X | X | X | X | X |
| 180 | 1911-B | . Lube Fitting | 1 | X | X | X | X | X | X | X |
| 190 | 28-16112-17 | . Housing | 1 | X | X | X | X | X | X | X |

ENSTROM F-28/280 SERIES ILLUSTRATED PARTS CATALOG

FIGURE 8-3A. UPPER SWASHPLATE ASSEMBLY & CONTROL ATTACHMENT

| ITEM NUMBER | PART NUMBER | DESCRIPTION | QTY PER ASSY | MODELS AFFECTED | | | | | | |
|-------------|---------------|--|--------------|-----------------|-----|-------|------|-------|------|-------|
| | | | | F-28A | 280 | F-28C | 280C | F-28F | 280F | 280FX |
| 190 | 28-16112-15 | . Housing (Superseded by 28-16112-17) | 1 | X | X | X | X | X | X | X |
| 200 | 28-16126-1 | . Lock Plate | 1 | X | X | X | X | X | X | X |
| 210 | 28-16113-1 | . Nut | 3 | X | X | X | X | X | X | X |
| 220 | 28-16131-11 | . Walking Beam | 1 | X | X | X | X | X | X | X |
| 220 | 28-16131-1 | . Walking Beam (Superseded by 28-16131-11) | 1 | X | X | X | X | X | X | X |
| 230 | 28-16109-1 | . Bolt (Used with 28-16108-2) | 2 | X | X | X | X | X | X | X |
| 230▲ | 28-16109-11 | . Bolt (Used with 28-16108-11) | 2 | X | X | X | X | X | X | X |
| 240 | 28-16109-13 | . Bushing (Used with 28-16108-11) | 2 | X | X | X | X | X | X | X |
| 250 | LHSSE-5 | . Spherical Bearing | 2 | X | X | X | X | X | X | X |
| —◇ | 28-22350-1 | Kit Installation | REF | X | X | X | X | X | X | X |
| 260◇ | NAS1101-3-10 | . Screw | 2 | X | X | X | X | X | X | X |
| 260◇ | AN502-10-10 | . Screw (Superseded by NAS1101-3-10) | 2 | X | X | X | X | X | X | X |
| 270◇ | NAS1149F0332P | . Washer | 2 | X | X | X | X | X | X | X |
| 270◇ | AN960-10L | . Washer (Alternate) | 2 | X | X | X | X | X | X | X |
| 280◇ | 28-16043-13 | . Interrupter Bracket | 1 | X | X | X | X | X | X | X |
| 290◇ | MS35649-282 | . Nut | 4 | X | X | X | X | X | X | X |
| 290◇ | AN340-832 | . Nut (Superseded by MS35649-282) | 4 | X | X | X | X | X | X | X |
| 300◇ | 28-16043-15 | . Interrupter Tab | 4 | X | X | X | X | X | X | X |
| 310 | NAS6604D31 | . Bolt | 2 | X | X | X | X | X | X | X |
| 310 | AN4-23 | . Bolt (Superseded by NAS6604D31) | 2 | X | X | X | X | X | X | X |
| 320 | ECD050-11 | . 1/4 Washer | 4 | X | X | X | X | X | X | |
| — | 28-16132-1 | . Support Link Assembly | 2 | X | X | X | X | X | X | X |
| 330 | 28-16132-4 | . . Bearing | 2 | X | X | X | X | X | X | X |
| 340 | 28-16132-3 | . . Link Support | 1 | X | X | X | X | X | X | X |
| 350 | 28-16133-1 | . Bushing | 2 | X | X | X | X | X | X | X |

ENSTROM F-28/280 SERIES ILLUSTRATED PARTS CATALOG

FIGURE 8-3A. UPPER SWASHPLATE ASSEMBLY & CONTROL ATTACHMENT

| ITEM NUMBER | PART NUMBER | DESCRIPTION | QTY PER ASSY | MODELS AFFECTED | | | | | | |
|-------------|-----------------|--|--------------|-----------------|-----|-------|------|-------|------|-------|
| | | | | F-28A | 280 | F-28C | 280C | F-28F | 280F | 280FX |
| 360 | MS17825-4 | . Nut | 2 | X | X | X | X | X | X | |
| 360 | F12NE-4753-048 | . Nut (Superseded by MS17825-4) | 2 | X | X | X | X | X | X | |
| 370 | MS24665-1013 | . Cotter Pin | 2 | X | X | X | X | X | X | |
| 370 | AN381-2-7 | . Cotter Pin (Superseded by MS24665-1013) | 2 | X | X | X | X | X | X | |
| 380 | 28-16143-3 | . Dog Leg Rod End | 3 | X | X | X | X | X | X | X |
| 380 | 28-16143-1 | . Dog Leg Rod End (Superseded by 28-16143-3) | 3 | X | X | X | X | X | X | X |
| 390 | ECD030-11 | . . Bearing | 3 | X | X | X | X | X | X | X |
| 400 | AN320-8 | . Nut | 3 | X | X | X | X | X | X | X |
| 410 | MS24665-302 | . Cotter Pin | 3 | X | X | X | X | X | X | X |
| 410 | AN381-3-16 | . Cotter Pin (Superseded by MS24665-302) | 3 | X | X | X | X | X | X | X |
| 420♦* | 28-16253-103 | . Push-Pull Rod Assy. | 3 | | | | | X | | X |
| 420* | 28-16253-101 | . Push-Pull Rod Assy. (Replaced by 28-16253-103) | 3 | X | X | X | X | X | X | X |
| 430 | M81934/1-08C012 | . . Bearing (Used with 28-16253-103) | 3 | | | | | X | X | X |
| 430 | MS21240-08C12 | . . Bearing (Superseded by M81934/1-08C012) | 3 | | | | | X | X | X |
| 440» | 28-16336-11 | . . Bushing (Used with 28-16253-103) | 3 | | | | | X | X | X |
| 450 | 28-16253-8 | . . Shrink Tube | 1 | X | X | X | X | X | X | X |
| 450 | 28-16253-6 | . . Shrink Tube (Superseded by 28-16253-8) | 1 | X | X | X | X | X | X | X |
| 460*† | 28-16253-105 | . . Push-Pull Rod Assy. | 1 | X | X | X | X | X | X | |
| 460* | 28-16253-1 | . . Push-Pull Rod Assy. (Replaced by 28-16253-105) | 1 | X | X | X | X | X | X | X |
| 470 | 28-16201-1 | . . Bushing | 2 | X | X | X | X | X | X | |
| 480 | 28-16203-1 | . . Spacer (Used with 28-16253-105) | 3 | X | X | X | X | X | X | X |

ENSTROM F-28/280 SERIES ILLUSTRATED PARTS CATALOG

- ▼ Available as a remanufactured part (-R).
- ** Effectivity F-28F S/N 829 and subsequent and 280FX S/N 2134 and subsequent. Eligibility F-28F S/N 509 and subsequent and 280FX S/N 2001 and subsequent.
- ∞ Integrated into 28-16043-19.
- ▲ Replaces the 28-16109-1 bolt in production. 28-16109-11 may be used with bearing housing 28-16108-2 for service.
- ◇ Chadwick/Helmuth Tracking/Balance Kit optional equipment.
- ◆ Effectivity F-28F S/N 816 – subsequent and 280FX S/N 2100 – subsequent.
- * See SDB 0096, latest revision.
- † Service replacement only.
- » Depicted as Item Number 60 in Figure 8-4; shown for clarification.

ENSTROM F-28/280 SERIES ILLUSTRATED PARTS CATALOG

I

INTENTIONALLY LEFT BLANK

ENSTROM F-28/280 SERIES ILLUSTRATED PARTS CATALOG

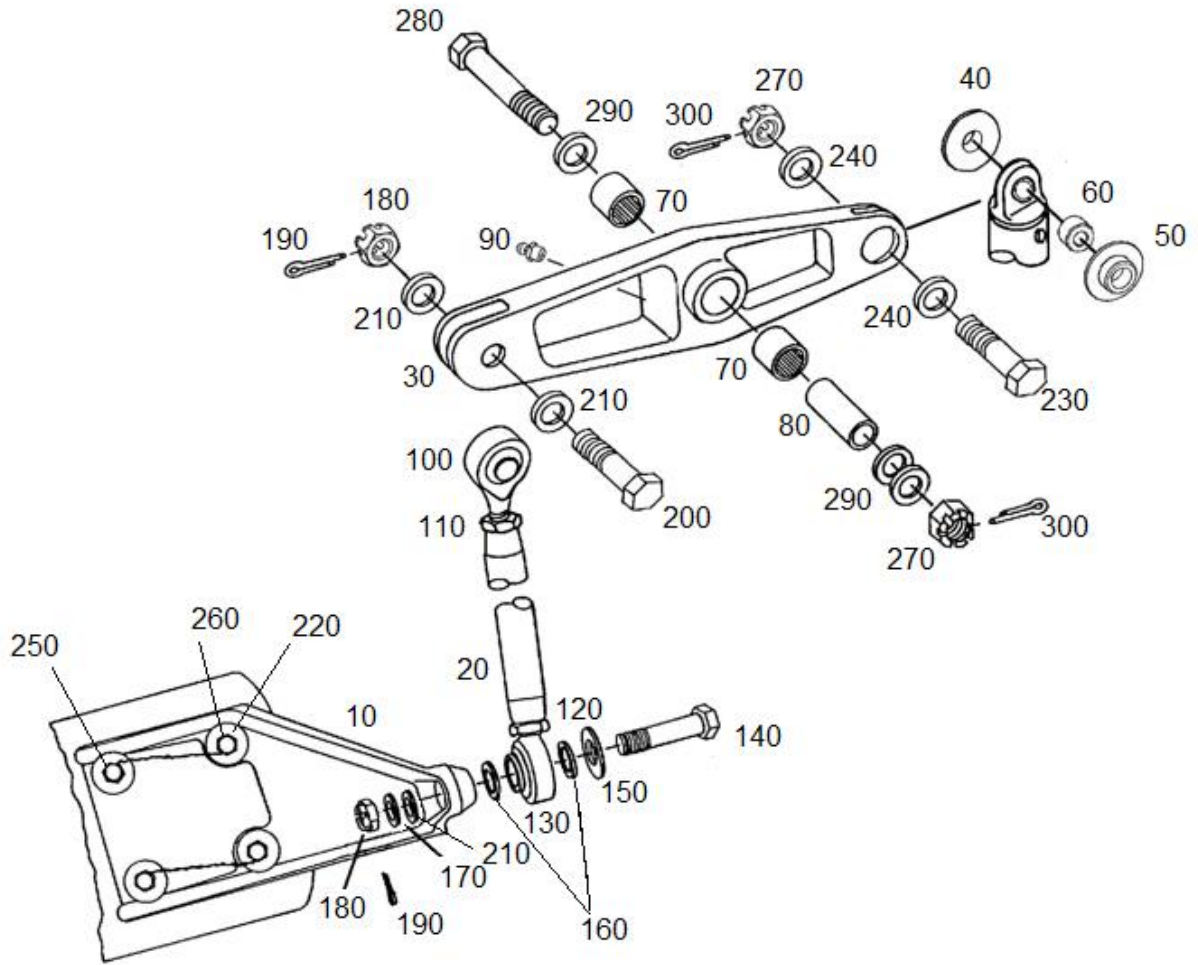


FIGURE 8-4. MAIN ROTOR PITCH CHANGE CONTROLS

ENSTROM F-28/280 SERIES ILLUSTRATED PARTS CATALOG

FIGURE 8-4. MAIN ROTOR PITCH CHANGE CONTROLS

| ITEM NUMBER | PART NUMBER | DESCRIPTION | QTY PER ASSY | MODELS AFFECTED | | | | | | |
|-------------|---------------|--|--------------|-----------------|-----|-------|------|-------|------|-------|
| | | | | F-28A | 280 | F-28C | 280C | F-28F | 280F | 280FX |
| - ▼ | 28-16101-105 | Main Rotor Rotating Controls - Installation | REF | X | X | X | X | X | X | X |
| 10 | 28-14278-1 | . . Pitch Arm | 3 | X | X | X | X | X | X | X |
| 20 | 28-16206-11 | . Barrel | 3 | X | X | X | X | X | X | X |
| 30 | 28-14207-101 | . Walking Beam Assembly | 3 | X | X | X | X | X | X | X |
| 30 | 28-14207-7 | . Walking Beam Assembly (Obsolete) | 3 | | | | | X | X | X |
| 30 | 28-14207-1 | . Walking Beam Assembly (Obsolete) | 3 | X | X | X | X | X | X | X |
| 40 | 28-14250-1 | . . Bushing (Flange) (Used with 28-14207-7 & 28-14207-101) | 1 | | | | | X | X | X |
| 50 | 28-14250-3 | . . Bushing (Flange) (Used with 28-14207-7 & 28-14207-101) | 1 | | | | | X | X | X |
| 60 | 28-16336-11 | . Bushing (Used with 28-14207-7 & 28-14207-101)) | 1 | | | | | X | X | X |
| 60 | 28-16203-1 | . Spacer, (Used with 28-14207-7) | 1 | X | X | X | X | X | X | X |
| 70 | GB-910 | . . Bearing | 2 | X | X | X | X | X | X | X |
| 80 | 28-14262-1 | . Race | 3 | X | X | X | X | X | X | X |
| 90 | 1641-B | . . Lube Fitting | 1 | X | X | X | X | X | X | X |
| 100 | 01-691-05 | . Rod End | 3 | X | X | X | X | X | X | X |
| 110 | AN316-5R | . Nut | 3 | X | X | X | X | X | X | X |
| 120 | AN316-5L | . Nut | 3 | X | X | X | X | X | X | X |
| 130 | 11-691-05 | . Rod End | 3 | X | X | X | X | X | X | X |
| 140 | NAS6605D21 | . Bolt | 3 | X | X | X | X | X | X | X |
| 140 | AN5-16 | . Bolt (Superseded by NAS6605D21) | 3 | X | X | X | X | X | X | X |
| 150 | ECD050-19 | . 5/16 Washer | 3 | X | X | X | X | X | X | X |
| 150 | 5/16 HARPER | . Flat Washer (Superseded by ECD050-19) | 3 | X | X | X | X | X | X | X |
| 160 | 28-14259-3 | . Washer | 6 | X | X | X | X | X | X | X |
| 170 | NAS1149F0563P | . Washer | 3 | X | X | X | X | X | X | X |

ENSTROM F-28/280 SERIES ILLUSTRATED PARTS CATALOG

FIGURE 8-4. MAIN ROTOR PITCH CHANGE CONTROLS

| ITEM NUMBER | PART NUMBER | DESCRIPTION | QTY PER ASSY | MODELS AFFECTED | | | | | | |
|-------------|----------------|--|--------------|-----------------|-----|-------|------|-------|------|-------|
| | | | | F-28A | 280 | F-28C | 280C | F-28F | 280F | 280FX |
| 170 | AN960-516 | . Washer (Alternate) | 3 | X | X | X | X | X | X | X |
| 180 | MS17825-5 | . Nut | 6 | X | X | X | X | X | X | X |
| 180 | F12NE-4753-054 | . Nut (Superseded by MS17825-5) | 6 | X | X | X | X | X | X | X |
| 190 | MS24665-151 | . Cotter Pin | 6 | X | X | X | X | X | X | X |
| 190 | AN381-2-8 | . Cotter Pin (Superseded by MS24665-151) | 6 | X | X | X | X | X | X | X |
| 200 | NAS6605D11 | . Bolt | 3 | X | X | X | X | X | X | X |
| 200 | AN5-11 | . Bolt (Superseded by NAS6605D11) | 3 | X | X | X | X | X | X | X |
| 210 | NAS1149F0532P | . Washer | 9 | X | X | X | X | X | X | X |
| 210 | AN960-516L | . Washer (Alternate) | 9 | X | X | X | X | X | X | X |
| 220 | AN960D516 | . . Washer | 12 | X | X | X | X | X | X | X |
| 220 | NAS1149D0563H | . . Washer (Alternate) | 12 | X | X | X | X | X | X | X |
| 230 | NAS6604D11 | . Bolt | 3 | X | X | X | X | X | X | X |
| 230 | AN4-11 | . Bolt (Superseded by NAS6604D11) | 3 | X | X | X | X | X | X | X |
| 240 | NAS1149F0432P | . . Washer | 6 | X | X | X | X | X | X | X |
| 240 | AN960-416L | . . Washer (Alternate) | 6 | X | X | X | X | X | X | X |
| 250 | MS20073-05-A6 | . . Bolt | 6 | X | X | X | X | X | X | X |
| 250 | AN75A6 | . . Bolt (Superseded by MS20073-05-A6) | 6 | X | X | X | X | X | X | X |
| 260 | MS20073-05-A12 | . . Bolt | 6 | X | X | X | X | X | X | X |
| 260 | AN75A12 | . . Bolt (Superseded by MS20073-05-A12) | 6 | X | X | X | X | X | X | X |
| 270 | MS17825-4 | . Nut | 6 | X | X | X | X | X | X | X |
| 270 | F12NE-4753-048 | . Nut (Superseded by MS17825-4) | 6 | X | X | X | X | X | X | X |
| 280 | AN174-21 | . Bolt | 3 | X | X | X | X | X | X | X |
| 290 | NAS1149F0463P | . Washer | 9 | X | X | X | X | X | X | X |

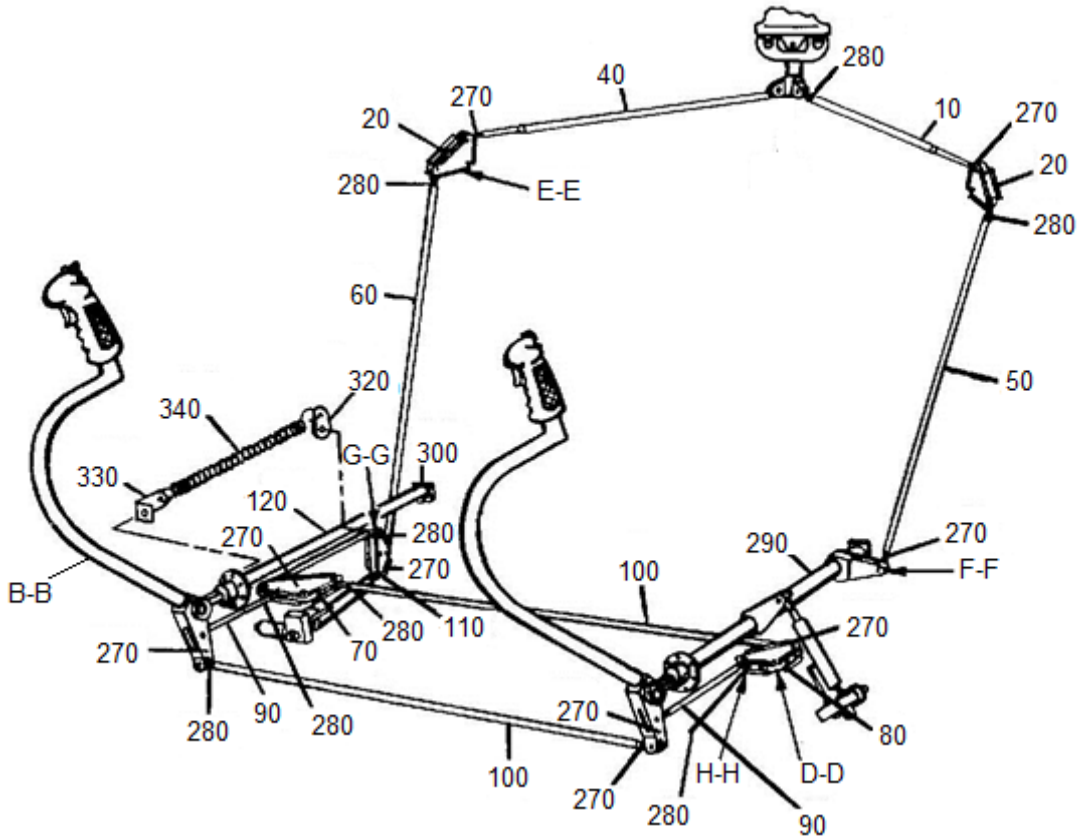
ENSTROM F-28/280 SERIES ILLUSTRATED PARTS CATALOG

FIGURE 8-4. MAIN ROTOR PITCH CHANGE CONTROLS

| ITEM NUMBER | PART NUMBER | DESCRIPTION | QTY PER ASSY | MODELS AFFECTED | | | | | | |
|-------------|--------------|---|--------------|-----------------|-----|-------|------|-------|------|-------|
| | | | | F-28A | 280 | F-28C | 280C | F-28F | 280F | 280FX |
| 290 | AN960-416 | . Washer (Alternate) | 9 | X | X | X | X | X | X | X |
| 300 | MS24665-1013 | . Cotter Pin | 6 | X | X | X | X | X | X | X |
| 300 | AN381-2-7 | . Cotter Pin (Superseded by MS24665-1013) | 6 | X | X | X | X | X | X | X |

▼ Available as a remanufactured part (-R).

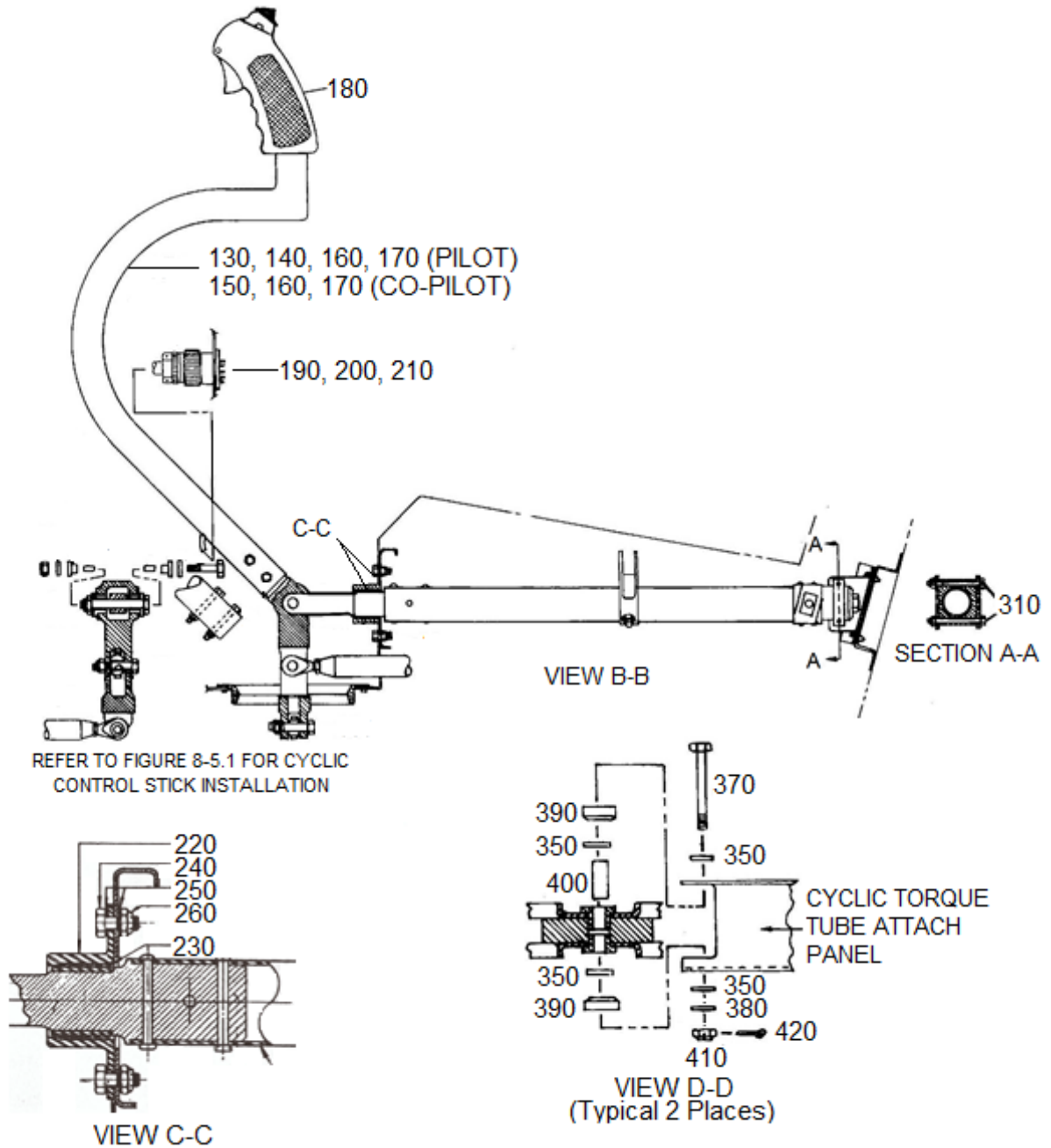
ENSTROM F-28/280 SERIES ILLUSTRATED PARTS CATALOG



Sheet 1 of 3

FIGURE 8-5. CYCLIC CONTROL ASSEMBLY

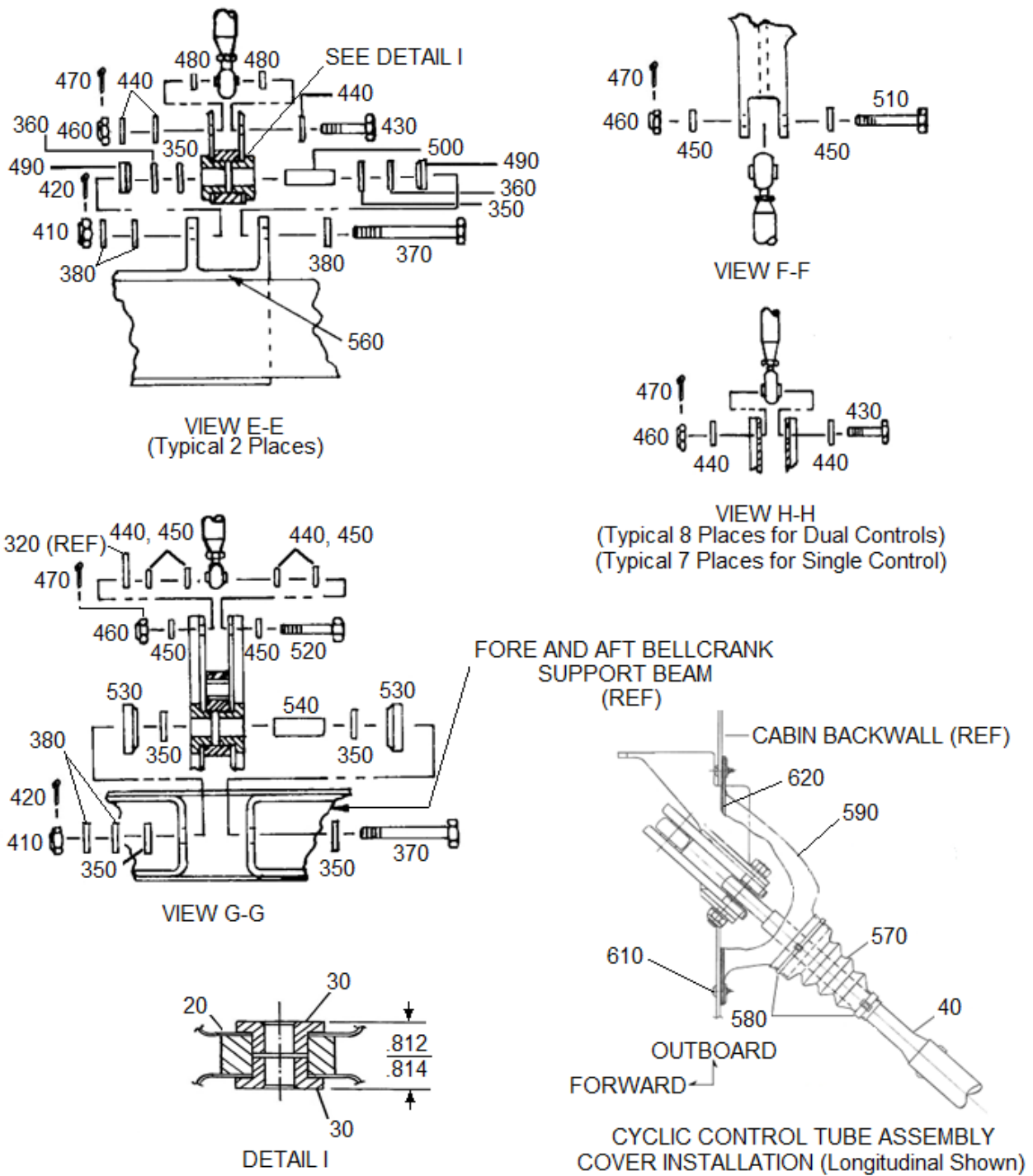
ENSTROM F-28/280 SERIES ILLUSTRATED PARTS CATALOG



Sheet 2 of 3

FIGURE 8-5. CYCLIC CONTROL ASSEMBLY

ENSTROM F-28/280 SERIES ILLUSTRATED PARTS CATALOG



Sheet 3 of 3

FIGURE 8-5. CYCLIC CONTROL ASSEMBLY

ENSTROM F-28/280 SERIES ILLUSTRATED PARTS CATALOG

FIGURE 8-5. CYCLIC CONTROL ASSEMBLY

| ITEM NUMBER | PART NUMBER | DESCRIPTION | QTY PER ASSY | MODELS AFFECTED | | | | | | |
|-------------|-------------|---|--------------|-----------------|-----|-------|------|-------|------|-------|
| | | | | F-28A | 280 | F-28C | 280C | F-28F | 280F | 280FX |
| →† | 28-16024 | Cyclic Control System Stick Installation | REF | X | X | X | X | X | X | X |
| 10 | 28-16197-1 | . Push-Pull Rod Assembly | 1 | X | X | X | X | X | X | X |
| 20** | 28-16218-1 | . Bellcrank Assembly | 2 | X | X | X | X | X | X | X |
| 30** | 28-16156-1 | . . Bearing | 2 | X | X | X | X | X | X | X |
| 40 | 28-16198-1 | . Push-Pull Rod Assembly | 1 | X | X | X | X | X | X | X |
| 50 | 28-16190-1 | . Push-Pull Rod Assembly | 1 | X | X | X | X | X | X | X |
| 60 | 28-16191-1 | . Push-Pull Rod Assembly | 1 | X | X | X | X | X | X | X |
| 70 | 28-16158-1 | . Bellcrank Assembly | 1 | X | X | X | X | X | X | X |
| 80 | 28-16159-1 | . Bellcrank Assembly | 1 | X | X | X | X | X | X | X |
| 90♦ | 28-16155-5 | . Push-Pull Rod | 2 | X | X | X | X | X | X | X |
| 100♦ | 28-16192-1 | . Push-Pull Rod Assembly | 2 | X | X | X | X | X | X | X |
| 110 | 28-16160-7 | . Bellcrank Assembly | 1 | X | X | X | X | X | X | X |
| 110 | 28-16160-1 | . Bellcrank Assembly (Superseded by 28-16160-7) | 1 | X | X | X | X | | | |
| 120 | 28-16155-4 | . Push-Pull Rod | 1 | X | X | X | X | X | X | X |
| 130 | 28-19021-2 | . Cyclic Stick Assembly (Pilot, Chrome, Long) (Superseded by 28-19021-15) | 1 | X | X | X | X | X | X | X |
| -130A | 28-19021-15 | . Cyclic Stick Assembly (Pilot, Chrome, Long) | 1 | X | X | X | X | X | X | X |
| -130B◇ | 28-19021-13 | . Cyclic Stick Assembly (Pilot, Chrome, Long) | 1 | X | X | X | X | X | X | X |
| -130C | 28-19021-19 | . Cyclic Stick Assembly (Pilot, Chrome, Long) | 1 | X | X | X | X | X | X | X |
| -130D | 28-19021-23 | . Cyclic Stick Assembly (Pilot, Chrome, Long) | 1 | X | X | X | X | X | X | X |
| -130E | 28-19021-25 | . Cyclic Stick Assembly (Pilot, Chrome, Long) | 1 | X | X | X | X | X | X | X |
| -130F▲◇ | 28-19021-35 | . Cyclic Stick Assembly (Pilot, Flat Black, Long) | 1 | X | X | X | X | X | X | X |
| -130G▲ | 28-19021-37 | . Cyclic Stick Assembly (Pilot, Flat Black, Long) | 1 | X | X | X | X | X | X | X |
| 140» | 28-19021-31 | . Cyclic Stick Assembly (Pilot, Chrome, Short) | 1 | X | X | X | X | X | X | X |

ENSTROM F-28/280 SERIES ILLUSTRATED PARTS CATALOG

FIGURE 8-5. CYCLIC CONTROL ASSEMBLY

| ITEM NUMBER | PART NUMBER | DESCRIPTION | QTY PER ASSY | MODELS AFFECTED | | | | | | |
|-------------|-----------------|--|--------------|-----------------|-----|-------|------|-------|------|-------|
| | | | | F-28A | 280 | F-28C | 280C | F-28F | 280F | 280FX |
| -140A▲ | 28-19021-41 | . Cyclic Stick Assembly (Pilot, Flat Black, Short) | 1 | X | X | X | X | X | X | X |
| 150◆ | 28-19021-3 | . Cyclic Stick Assembly (Co-Pilot, Chrome, Long) (Superseded by 28-19021-17) | 2 | X | X | X | X | X | X | X |
| -150A◆ | 28-19021-17 | . Cyclic Stick Assembly (Co-Pilot, Chrome, Long) | 2 | X | X | X | X | X | X | X |
| -150B | 28-19021-21 | . Cyclic Stick Assembly (Co-Pilot, Chrome, Long) | 1 | X | X | X | X | X | X | X |
| -150C | 28-19021-27 | . Cyclic Stick Assembly (Co-Pilot, Chrome, Long) | 1 | X | X | X | X | X | X | X |
| 160∞ | 28-19021-29 | . Cyclic Stick Assembly (Chrome, Long) | 1 | X | X | X | X | X | X | X |
| -160A∞ | 28-19021-39 | . Cyclic Stick Assembly (Flat Black, Long) | 1 | X | X | X | X | X | X | X |
| 170∞ | 28-19021-33 | . Cyclic Stick Assembly (Chrome, Short) | 1 | X | X | X | X | X | X | X |
| -170A∞ | 28-19021-43 | . Cyclic Stick Assembly (Flat Black, Short) | 1 | X | X | X | X | X | X | X |
| 180◆ | G-38517-B-7-A | . . Grip | 2 | X | X | X | X | X | X | |
| -180A | 28-16026-1 | . . Cyclic Stick Grip Assembly (Used with Items 130 and -130A) | 1 | X | X | X | X | X | X | X |
| -180B | 28-16026-3 | . . Cyclic Stick Grip Assembly (Used with Items -130B and -130F) | 1 | X | X | X | X | X | X | X |
| -180C | 28-16026-5 | . . Cyclic Stick Grip Assembly (Used with Item -130C) | 1 | X | X | X | X | X | X | X |
| -180D | 28-16026-7 | . . Cyclic Stick Grip Assembly (Used with Item -130D) | 1 | X | X | X | X | X | X | X |
| -180E | 28-16026-9 | . . Cyclic Stick Grip Assembly (Used with Items -130E, 140, and -140A) | 1 | X | X | X | X | X | X | X |
| -180F | A-218-938517-00 | . . Grip Type B-7-A (Used with Items 150 and -150A) | 2 | X | X | X | X | X | X | X |
| -180G | 702-5123 | . . Grip (Used with Item -150B) | 1 | | | X | X | X | | X |
| -180H | 702-5130 | . . Grip (Used with Item -150C) | 1 | | | X | X | X | | X |

ENSTROM F-28/280 SERIES ILLUSTRATED PARTS CATALOG

FIGURE 8-5. CYCLIC CONTROL ASSEMBLY

| ITEM NUMBER | PART NUMBER | DESCRIPTION | QTY PER ASSY | MODELS AFFECTED | | | | | | |
|-------------|----------------|--|--------------|-----------------|-----|-------|------|-------|------|-------|
| | | | | F-28A | 280 | F-28C | 280C | F-28F | 280F | 280FX |
| -180I | G2-0032 | . . Grip (Used with Items 160, -160A, 170, and -170A) | 1 | | | | | X | | X |
| - | 28-16136-1 | . . Cyclic Stick (Chrome, Long) (Used in 28-19021-13, -25, and -29) | 1 | X | X | X | X | X | X | X |
| - | 28-16136-5 | . . Cyclic Stick (Chrome, Short) (Used in 28-19021-31 and -33) | 1 | X | X | X | X | X | X | X |
| - | 28-16136-101 | . . Cyclic Stick (Flat Black, Long) (Used in 28-19021-35, -37, and -39) | 1 | X | X | X | X | X | X | X |
| - | 28-16136-103 | . . Cyclic Stick (Flat Black, Short) (Used in 28-19021-41 and -43) | 1 | X | X | X | X | X | X | X |
| 190◆ | 206036-1 | . . Receptacle | 2 | X | X | X | X | X | X | X |
| 190◆ | 67-02-E-18-64S | . . Cannon Plug (Superseded by 206036-1) | 2 | X | X | X | X | X | X | X |
| 200◆ | 206037-1 | . . Plug | 2 | X | X | X | X | X | X | X |
| 200◆ | 67-06-C-18-64P | . . Cannon Plug (Superseded by 206037-1) | 2 | X | X | X | X | X | X | X |
| 200A◆ | 206044-1 | . . Plug (Used with 28-19021-13 and -35) | 2 | X | X | X | X | X | X | X |
| 210◆ | 206070-1 | . . Clamp | 2 | X | X | X | X | X | X | X |
| 210A◆ | 206322-1 | . . Clamp (Used with 28-19021-13 and -35) | 2 | X | X | X | X | X | X | X |
| 220◆ | 28-16145-1 | . Bearing Housing Assembly | 2 | X | X | X | X | X | X | X |
| 230◆ | 16DU12 | . Bearing | 2 | X | X | X | X | X | X | X |
| 240◆ | NAS6603-1 | . Bolt | 12 | X | X | X | X | X | X | X |
| 240◆ | AN3-3A | . Bolt (Superseded by NAS6603-1) | 12 | X | X | X | X | X | X | X |
| 250◆ | NAS1149F0332P | . Washer | 36 | X | X | X | X | X | X | X |
| 250◆ | AN960-10L | . Washer (Alternate) | 36 | X | X | X | X | X | X | X |
| 260◆ | MS20364-1032 | . Nut | 18 | X | X | X | X | X | X | X |
| 260◆ | AN364-1032 | . Nut (Alternate) | 18 | X | X | X | X | X | X | X |
| 270◆ | HMLVV-5M | . Rod End | 9 | X | X | X | X | X | X | X |
| -◆ | AN316-5L | . Check Nut | 9 | X | X | X | X | X | X | X |
| 280◆ | HMVV-5M | . Rod End | 8 | X | X | X | X | X | X | X |

ENSTROM F-28/280 SERIES ILLUSTRATED PARTS CATALOG

FIGURE 8-5. CYCLIC CONTROL ASSEMBLY

| ITEM NUMBER | PART NUMBER | DESCRIPTION | QTY PER ASSY | MODELS AFFECTED | | | | | | |
|-------------|---------------|---|--------------|-----------------|-----|-------|------|-------|------|-------|
| | | | | F-28A | 280 | F-28C | 280C | F-28F | 280F | 280FX |
| → | AN316-5 | . Check Nut | 8 | X | X | X | X | X | X | X |
| 290 | 28-16205-5 | . Cyclic Torque Tube Assembly | 1 | X | X | X | X | X | X | X |
| 290 | 28-16205-1 | . Cyclic Torque Tube Assembly (Superseded by 28-16205-5) | 1 | X | X | X | X | X | X | X |
| 300◆ | 28-16220-5 | . Cyclic Torque Tube Assembly | 1 | X | X | X | X | X | X | X |
| 300◆ | 28-16220-1 | . Cyclic Torque Tube Assembly (Obsolete) | 1 | X | X | X | X | X | X | X |
| 310◆ | NAS6603-24 | . Bolt | 4 | X | X | X | X | X | X | X |
| 310◆ | AN3-17A | . Bolt (Superseded by NAS6603-24) | 4 | X | X | X | X | X | X | X |
| 320 | 28-16290-2 | . Attach Bracket (Aft) | 1 | X | X | X | X | X | X | X |
| 330 | 28-16284-1 | . Attach Bracket (Fore) | 1 | X | X | X | X | X | X | X |
| 340 | 28-16283-4 | . Spring | 1 | X | X | X | X | X | X | X |
| 350 | ECD050-11 | . 1/4 Washer | 16 | X | X | X | X | X | X | X |
| 350 | 1/4 Harper | . Washer (Superseded by ECD050-11) | 16 | X | X | X | X | X | X | X |
| 360 | 28-16217-11 | . Shim | A/R | X | X | X | X | X | X | X |
| -360A | 28-16217-13 | . Shim | A/R | X | X | X | X | X | X | X |
| -360B | 28-16217-15 | . Shim | A/R | X | X | X | X | X | X | X |
| -360C | 28-16217-17 | . Shim | A/R | X | X | X | X | X | X | X |
| -360D | 28-16217-19 | . Shim | A/R | X | X | X | X | X | X | X |
| -360E | 28-16217-21 | . Shim | A/R | X | X | X | X | X | X | X |
| -360F | 28-16217-23 | . Shim | A/R | X | X | X | X | X | X | X |
| 370 | NAS6604D23 | . Bolt | 5 | X | X | X | X | X | X | X |
| 370 | AN4-17 | . Bolt (Superseded by NAS6604D23) | 5 | X | X | X | X | X | X | X |
| 380 | NAS1149F0463P | . Washer | 10 | X | X | X | X | X | X | X |
| 380 | AN960-416 | . Washer (Alternate) | 10 | X | X | X | X | X | X | X |
| 390 | 28-16211-1 | . Spacer | 4 | X | X | X | X | X | X | X |
| 400 | 28-16157-3 | . Spacer | 2 | X | X | X | X | X | X | X |
| 410 | MS17825-4 | . Nut | 5 | X | X | X | X | X | X | X |

ENSTROM F-28/280 SERIES ILLUSTRATED PARTS CATALOG

FIGURE 8-5. CYCLIC CONTROL ASSEMBLY

| ITEM NUMBER | PART NUMBER | DESCRIPTION | QTY PER ASSY | MODELS AFFECTED | | | | | | |
|-------------|----------------|-----------------------------------|--------------|-----------------|-----|-------|------|-------|------|-------|
| | | | | F-28A | 280 | F-28C | 280C | F-28F | 280F | 280FX |
| 410 | F12NE-4753-048 | . Nut (Superseded by MS17825-4) | 5 | X | X | X | X | X | X | X |
| 420 | MS24665-151 | . Cotter Pin | 5 | X | X | X | X | X | X | X |
| 420 | AN381-2-8 | . Pin (Superseded by MS24665-151) | 5 | X | X | X | X | X | X | X |
| 430 | NAS6605D9 | . Bolt | 10 | X | X | X | X | X | X | X |
| 430 | AN5-10 | . Bolt (Superseded by NAS6605D9) | 10 | X | X | X | X | X | X | X |
| 440 | NAS1149F0563P | . Washer | 25 | X | X | X | X | X | X | X |
| 440 | AN960-516 | . Washer (Alternate) | 25 | X | X | X | X | X | X | X |
| 450 | NAS1149F0532P | . Washer | A/R | X | X | X | X | X | X | X |
| 450 | AN960-516L | . Washer (Alternate) | A/R | X | X | X | X | X | X | X |
| 460 | MS17825-5 | . Nut | 12 | X | X | X | X | X | X | X |
| 460 | F12NE-4753-054 | . Nut (Superseded by MS17825-5) | 12 | X | X | X | X | X | X | X |
| 470 | MS24665-152 | . Cotter Pin | 12 | X | X | X | X | X | X | X |
| 470 | AN381-2-10 | . Pin (Superseded by MS24665-152) | 12 | X | X | X | X | X | X | X |
| 480 | 28-14259-3 | . Spacer | 4 | X | X | X | X | X | X | X |
| 490 | 28-16209-1 | . Spacer | A/R | X | X | X | X | X | X | X |
| -490A | 28-16209-11 | . Spacer | A/R | X | X | X | X | X | X | X |
| 500 | 28-16157-4 | . Spacer | 2 | X | X | X | X | X | X | X |
| 510 | NAS6605D13 | . Bolt | 1 | X | X | X | X | X | X | X |
| 510 | AN5-12 | . Bolt (Superseded by NAS6605D13) | 1 | X | X | X | X | X | X | X |
| 520 | NAS6605D11 | . Bolt | 1 | X | X | X | X | X | X | X |
| 520 | AN5-11 | . Bolt (Superseded by NAS6605D11) | 1 | X | X | X | X | X | X | X |
| 530 | 28-16210-3 | . Spacer | 2 | X | X | X | X | X | X | X |
| 540 | 28-16202-1 | . Spacer | 1 | X | X | X | X | X | X | X |
| -550 | 28-11307-902 | . Cabin Mount (Left Side) | 1 | X | X | X | X | X | X | X |
| 560 | 28-11307-901 | . Cabin Mount (Right Side) | 1 | X | X | X | X | X | X | X |
| - | 28-12719 | Push-Pull Rod Cover Installation | REF | X | X | X | X | X | X | X |

ENSTROM F-28/280 SERIES ILLUSTRATED PARTS CATALOG

FIGURE 8-5. CYCLIC CONTROL ASSEMBLY

| ITEM NUMBER | PART NUMBER | DESCRIPTION | QTY PER ASSY | MODELS AFFECTED | | | | | | |
|-------------|-------------|------------------|--------------|-----------------|-----|-------|------|-------|------|-------|
| | | | | F-28A | 280 | F-28C | 280C | F-28F | 280F | 280FX |
| 570 | LDF-6-228 | . Boot | 2 | X | X | X | X | X | X | X |
| 580 | SST25-MP | . Cable Tie | 4 | X | X | X | X | X | X | X |
| 590 | 28-12719-11 | . Cover (R.H.) | 1 | X | X | X | X | X | X | X |
| -600 | 28-12719-12 | . Cover (L.H.) | 1 | X | X | X | X | X | X | X |
| 610 | 6RX1/2 | . Screw | 8 | X | X | X | X | X | X | X |
| 620 | 4508-75 | . 1/8" Foam Tape | A/R | X | X | X | X | X | X | X |

◇ Cargo hook option.

** If new 28-16156-1 bearings are installed in 28-16218-1 bellcrank; machine bearings per dimension specified (Figure 8-5, Sheet 3).

† See also Figure 8-5.1. for additional installation detail.

◆ Quantities listed represent cyclic system dual control installation where applicable.

▲ Effectivity F-28F S/N 831 and subsequent; 280FX S/N 2141 and subsequent.

» Effectivity F-28F S/N 817 and subsequent; 280FX S/N 2108 and subsequent.

∞ Effectivity F-28F S/N 833 and subsequent; 280FX S/N 2167 and subsequent.

ENSTROM F-28/280 SERIES ILLUSTRATED PARTS CATALOG

I

INTENTIONALLY LEFT BLANK

ENSTROM F-28/280 SERIES ILLUSTRATED PARTS CATALOG

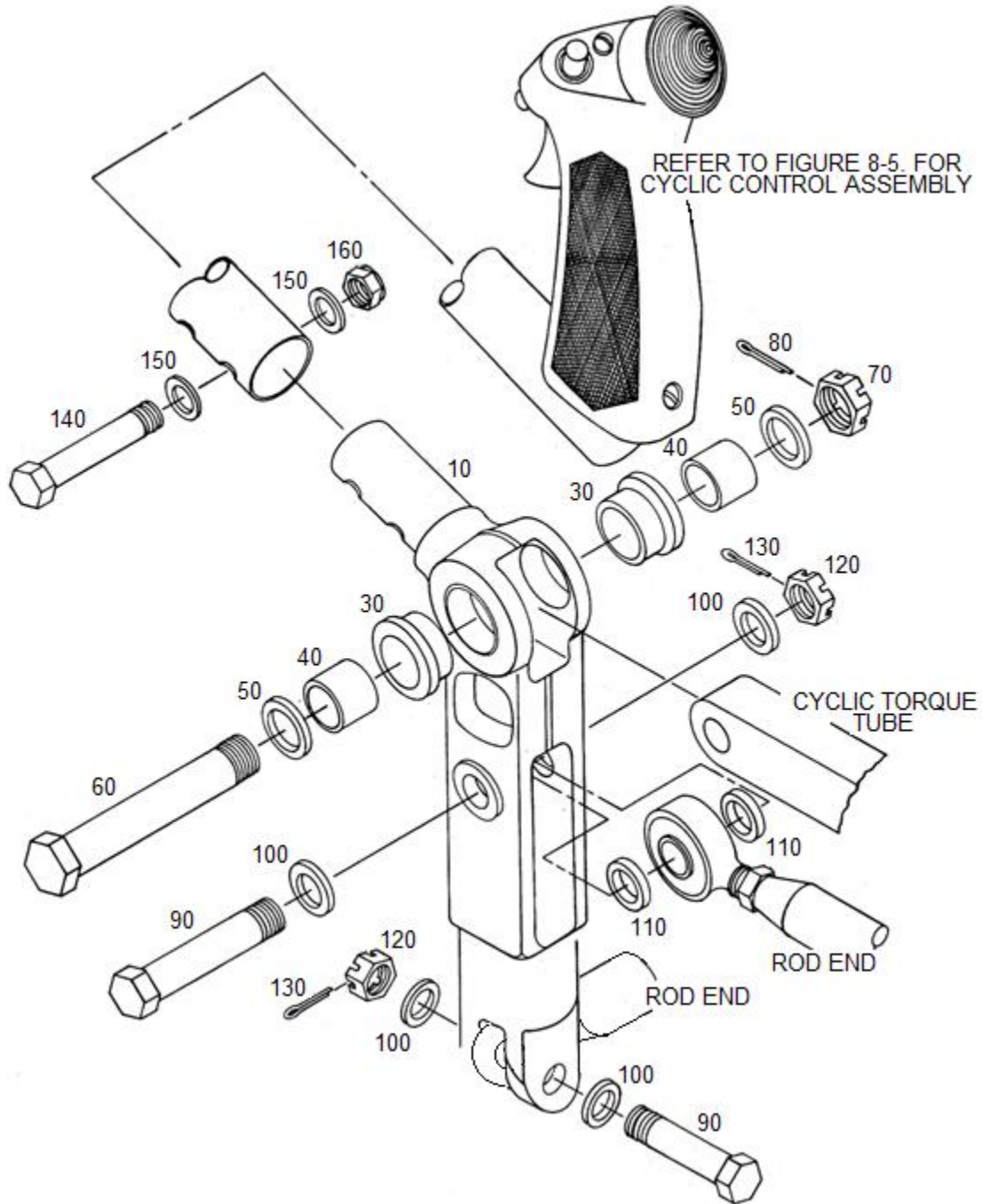


FIGURE 8-5A. CYCLIC CONTROL STICK INSTALLATION

ENSTROM F-28/280 SERIES ILLUSTRATED PARTS CATALOG

FIGURE 8-5A. CYCLIC CONTROL STICK INSTALLATION

| ITEM NUMBER | PART NUMBER | DESCRIPTION | QTY PER ASSY | MODELS AFFECTED | | | | | | |
|-------------|----------------|---|--------------|-----------------|-----|-------|------|-------|------|-------|
| | | | | F-28A | 280 | F-28C | 280C | F-28F | 280F | 280FX |
| - | 28-16024-911 | Cyclic Stick Fitting (Replaces 28-16183-901) | REF | X | X | X | X | X | X | X |
| - | 28-16024-912 | Cyclic Stick Fitting (Alternate to 28-16024-911) | REF | X | X | X | X | X | X | X |
| 10 | 28-16183-1 | . Cyclic Stick Fitting | 2 | X | X | X | X | X | X | X |
| 10 | 28-16183-901 | . Cyclic Stick Fitting (Obsolete) | 2 | X | X | X | X | X | X | X |
| -20 | 28-16390-11 | . Cyclic Stick Fitting (Used with 28-16024-912) (Alternate to 28-16183-1) | 2 | X | X | X | X | X | X | X |
| 30 | 28-16150-1 | . Flanged Bearing | 4 | X | X | X | X | X | X | X |
| 40 | 28-16148-3 | . Spacer | 4 | X | X | X | X | X | X | X |
| 40 | 28-16148-1 | . Spacer (Superseded by 28-16148-3) | 4 | X | X | X | X | X | X | X |
| 50 | 28-16056-1 | . Washer | 4 | X | X | X | X | X | X | X |
| 60 | NAS6606D25 | . Bolt | 2 | X | X | X | X | X | X | X |
| 60 | AN6-22 | . Bolt (Superseded by NAS6606D25) | 2 | X | X | X | X | X | X | X |
| 70 | MS17825-6 | . Nut | 2 | X | X | X | X | X | X | X |
| 70 | F12NE-4753-064 | . Nut (Superseded by MS17825-6) | 2 | X | X | X | X | X | X | X |
| 80 | MS24665-300 | . Cotter Pin | 2 | X | X | X | X | X | X | X |
| 80 | AN381-3-12 | . Pin (Superseded by MS24665-300) | 2 | X | X | X | X | X | X | X |
| 90 | NAS6605D15 | . Bolt | 4 | X | X | X | X | X | X | X |
| 90 | AN5-13 | . Bolt (Superseded by NAS6605D15) | 4 | X | X | X | X | X | X | X |
| 100 | NAS1149F0532P | . Washer | 8 | X | X | X | X | X | X | X |
| 100 | AN960-516L | . Washer (Alternate) | 8 | X | X | X | X | X | X | X |
| 110 | 28-16057-1 | . Spacer | 4 | X | X | X | X | X | X | X |
| 120 | MS17825-5 | . Nut | 4 | X | X | X | X | X | X | X |
| 120 | F12NE-4753-054 | . Nut (Superseded by MS17825-5) | 4 | X | X | X | X | X | X | X |
| 130 | MS24665-151 | . Cotter Pin | 4 | X | X | X | X | X | X | X |
| 130 | AN381-2-8 | . Pin (Superseded by MS24665-151) | 4 | X | X | X | X | X | X | X |

ENSTROM F-28/280 SERIES ILLUSTRATED PARTS CATALOG

FIGURE 8-5A. CYCLIC CONTROL STICK INSTALLATION

| ITEM NUMBER | PART NUMBER | DESCRIPTION | QTY PER ASSY | MODELS AFFECTED | | | | | | |
|-------------|---------------|-----------------------------------|--------------|-----------------|-----|-------|------|-------|------|-------|
| | | | | F-28A | 280 | F-28C | 280C | F-28F | 280F | 280FX |
| 140 | NAS6603-18 | . Bolt | 4 | X | X | X | X | X | X | X |
| 140 | AN3-14A | . Bolt (Superseded by NAS6603-18) | 4 | X | X | X | X | X | X | X |
| 150 | NAS1149F0332P | . Washer | 8 | X | X | X | X | X | X | X |
| 150 | AN960-10L | . Washer (Alternate) | 8 | X | X | X | X | X | X | X |
| 160 | MS20364-1032 | . Nut | 4 | X | X | X | X | X | X | X |
| 160 | AN364-1032 | . Nut (Alternate) | 4 | X | X | X | X | X | X | X |

ENSTROM F-28/280 SERIES ILLUSTRATED PARTS CATALOG

I

INTENTIONALLY LEFT BLANK

ENSTROM F-28/280 SERIES ILLUSTRATED PARTS CATALOG

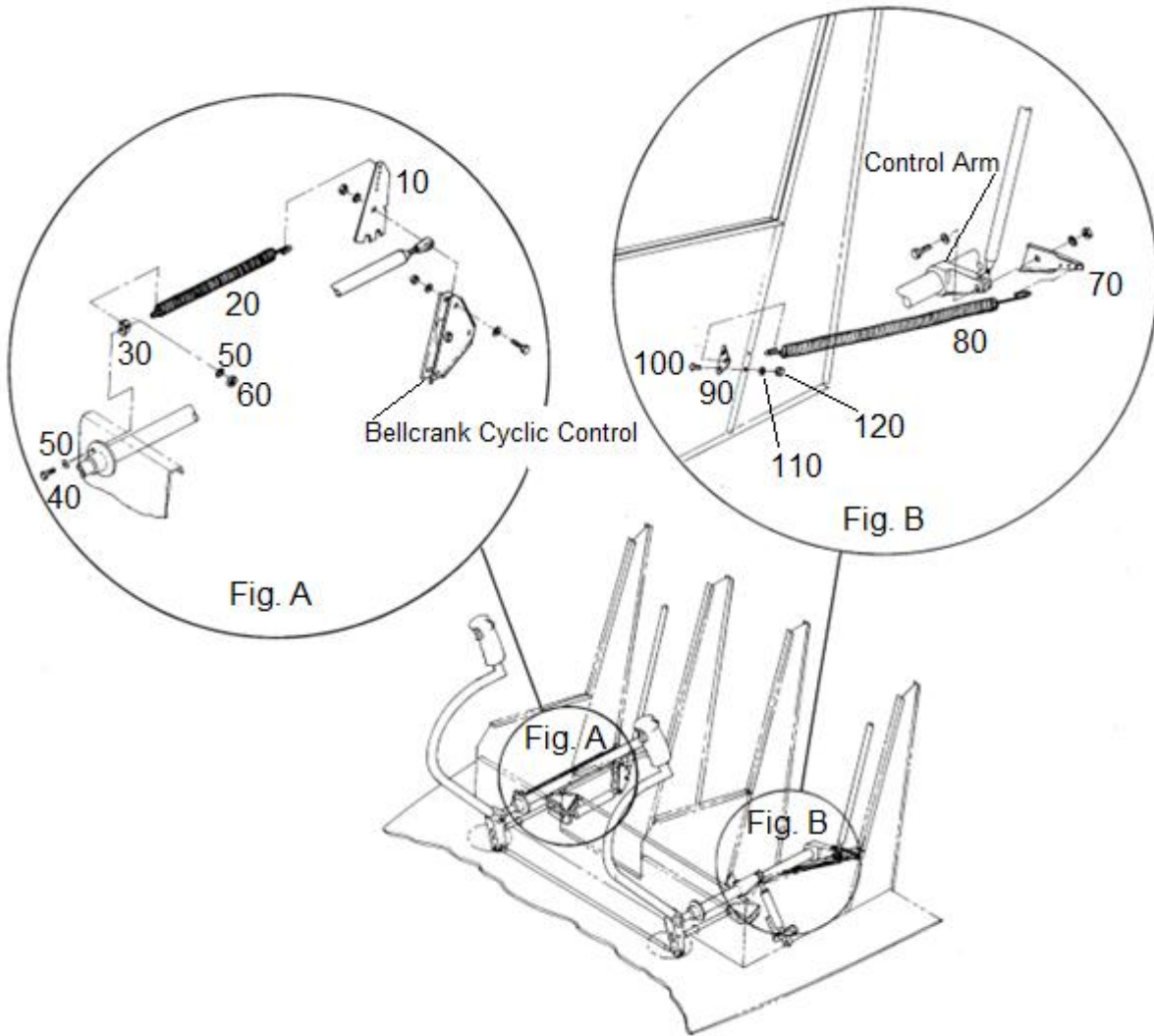


FIGURE 8-6. TRIM SPRING MECHANICAL INSTALLATION

UNCONTROLLED COPY WHEN DOWNLOADED OR PRINTED

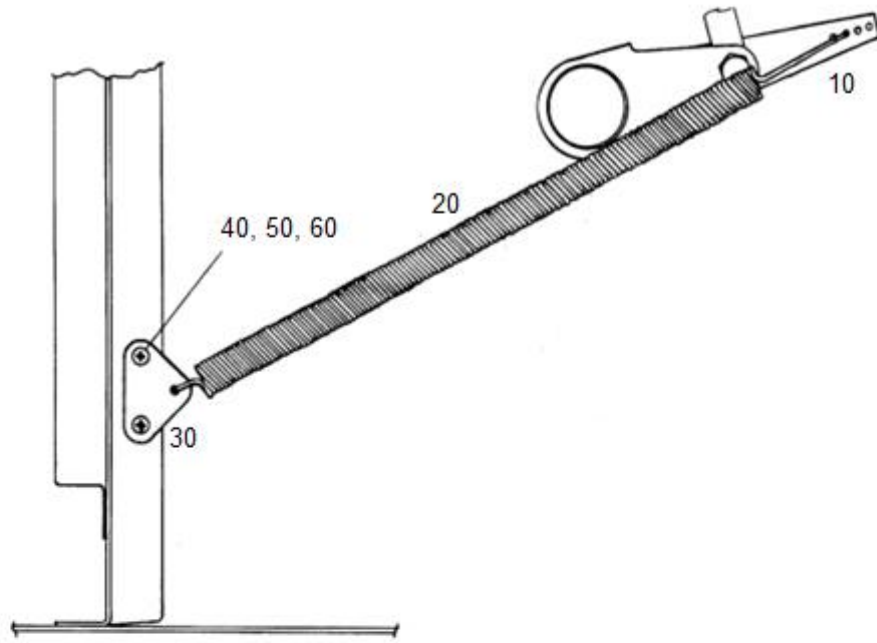
ENSTROM F-28/280 SERIES ILLUSTRATED PARTS CATALOG

FIGURE 8-6. TRIM SPRING MECHANICAL INSTALLATION

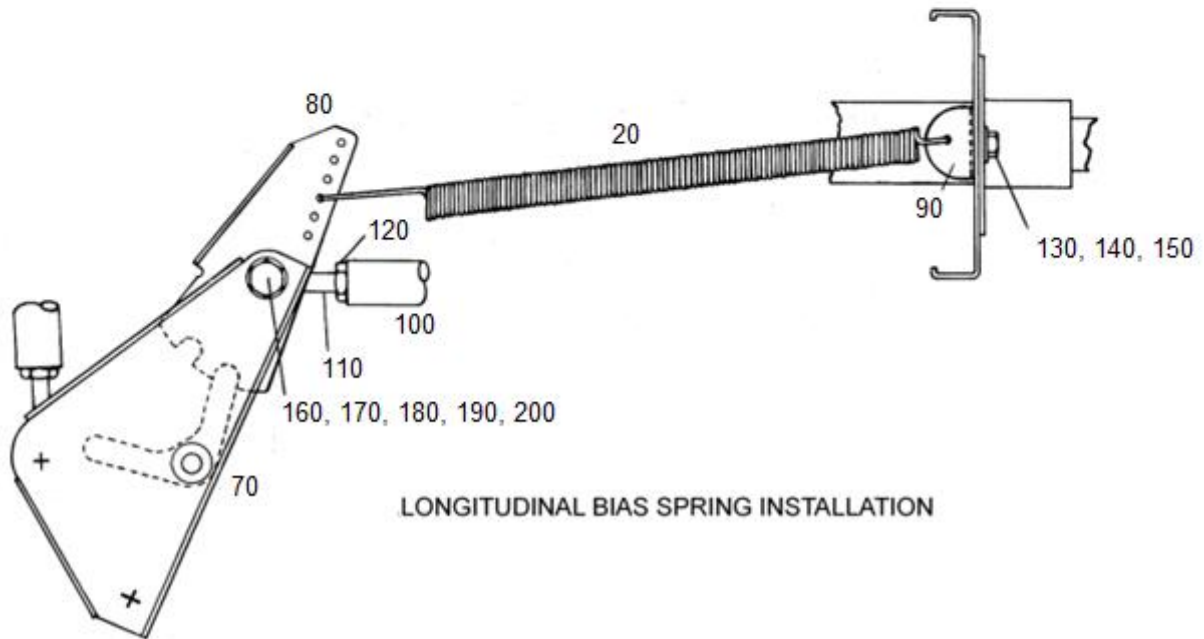
| ITEM NUMBER | PART NUMBER | DESCRIPTION | QTY PER ASSY | MODELS AFFECTED | | | | | | |
|-------------|---------------|--|--------------|-----------------|-----|-------|------|-------|------|-------|
| | | | | F-28A | 280 | F-28C | 280C | F-28F | 280F | 280FX |
| - | 28-16024 | Cyclic Control System Installation | REF | | | X | X | | | |
| - | 28-16295-1 | . Bias Spring Installation Cyclic Fore/Aft Control | REF | | | X | X | | | |
| 10 | 28-16294-1 | . . Bracket | 1 | | | X | X | | | |
| 20 | 28-16283-4 | . . Spring | 1 | | | X | X | | | |
| 30 | 28-16284-1 | . . Attach Bracket | 1 | | | X | X | | | |
| 40 | NAS66032 | . Bolt | 1 | | | X | X | | | |
| 40 | AN3-4A | . Bolt (Superseded by NAS66032) | 1 | | | X | X | | | |
| 50 | NAS1149F0332P | . Washer | 2 | | | X | X | | | |
| 50 | AN960-10L | . Washer (Alternate) | 2 | | | X | X | | | |
| 60 | MS20364-1032 | . Nut | 1 | | | X | X | | | |
| 60 | AN364-1032 | . Nut (Alternate) | 1 | | | X | X | | | |
| - | 28-16293-2 | Bias Spring Installation Cyclic Lateral Control | REF | | | X | X | | | |
| 70 | 28-16290-2 | . Bracket | 1 | | | X | X | | | |
| 80 | 28-16283-2 | . Spring | 1 | | | X | X | | | |
| 90 | 28-16291-1 | . Plate | 1 | | | X | X | | | |
| 100 | MS27039-0806 | . Screw | 2 | | | X | X | | | |
| 110 | NAS1149FN816P | . Washer | 2 | | | X | X | | | |
| 110 | AN960-8L | . Washer (Alternate) | 2 | | | X | X | | | |
| 120 | MS21044N08 | . Nut | 2 | | | X | X | | | |
| 120 | AN365-832A | . Nut (Superseded by MS21044N08) | 2 | | | X | X | | | |

UNCONTROLLED COPY WHEN DOWNLOADED OR PRINTED

ENSTROM F-28/280 SERIES ILLUSTRATED PARTS CATALOG



LATERAL BIAS SPRING INSTALLATION



LONGITUDINAL BIAS SPRING INSTALLATION

FIGURE 8-6A. LATERAL AND LONGITUDINAL BIAS SPRING INSTALLATION

UNCONTROLLED COPY WHEN DOWNLOADED OR PRINTED

ENSTROM F-28/280 SERIES ILLUSTRATED PARTS CATALOG

FIGURE 8-6A. LATERAL AND LONGITUDINAL BIAS SPRING INSTALLATION

| ITEM NUMBER | PART NUMBER | DESCRIPTION | QTY PER ASSY | MODELS AFFECTED | | | | | | |
|-------------|---------------|---|--------------|-----------------|-----|-------|------|-------|------|-------|
| | | | | F-28A | 280 | F-28C | 280C | F-28F | 280F | 280FX |
| - | 28-16024 | Cyclic Control System Installation | REF | | | X | X | X | X | X |
| - | 28-16293-2 | . Bias Spring Installation Cyclic Lateral Control | REF | | | X | X | | | |
| 10 | 28-16290-2 | . . Bracket | 1 | X | X | X | X | X | X | X |
| 20 | 28-16283-2 | . . Spring | 1 | X | X | X | X | X | X | X |
| 30 | 28-16291-1 | . . Plate | 1 | X | X | X | X | X | X | X |
| 40 | MS27039-0806 | . . Screw | 2 | X | X | X | X | X | X | X |
| 40 | AN525-832R6 | . . Screw (Superseded by MS27039-0806) | 2 | X | X | X | X | X | X | X |
| 50 | NAS1149FN816P | . . Washer | 2 | X | X | X | X | X | X | X |
| 50 | AN960-8L | . . Washer (Alternate) | 2 | X | X | X | X | X | X | X |
| 60 | MS21044N08 | . . Nut | 2 | X | X | X | X | X | X | X |
| 60 | AN365-832A | . . Nut (Superseded by MS21044N08) | 2 | X | X | X | X | X | X | X |
| 70 | 28-16160-7 | . Bellcrank | 1 | X | X | X | X | X | X | X |
| 80 | 28-16294-13 | . Bracket | 1 | X | X | X | X | X | X | X |
| 80 | 28-16294-1 | . Bracket (Replaced by 28-16294-13) | 1 | X | X | X | X | X | X | X |
| 90 | 28-16284-1 | . Bracket | 1 | X | X | X | X | X | X | X |
| 100 | 28-16155-4 | . Push-Pull Rod | 1 | X | X | X | X | X | X | X |
| 110 | HMVV-5M | . Rod End | 1 | X | X | X | X | X | X | X |
| 120 | AN316-5R | . Nut | 1 | X | X | X | X | X | X | X |
| - | 28-16637-11 | . Bracket | 1 | | | X | X | X | X | X |
| - | 28-16292-11 | . Spring | 1 | | | X | X | X | X | X |
| 130 | NAS6603D2 | . Bolt | 1 | X | X | X | X | X | X | X |
| 130 | AN3-4A | . Bolt (Superseded by NAS6603D2) | 1 | X | X | X | X | X | X | X |
| 140 | NAS1149F0332P | . Washer | 2 | X | X | X | X | X | X | X |
| 140 | AN960-10L | . Washer (Alternate) | 2 | X | X | X | X | X | X | X |
| 150 | MS21083N3 | . Nut | 1 | X | X | X | X | X | X | X |
| 150 | AN364-1032A | . Nut (Superseded by MS21083N3) | 1 | X | X | X | X | X | X | X |

UNCONTROLLED COPY WHEN DOWNLOADED OR PRINTED

ENSTROM F-28/280 SERIES ILLUSTRATED PARTS CATALOG

FIGURE 8-6A. LATERAL AND LONGITUDINAL BIAS SPRING INSTALLATION

| ITEM NUMBER | PART NUMBER | DESCRIPTION | QTY PER ASSY | MODELS AFFECTED | | | | | | |
|-------------|----------------|--|--------------|-----------------|-----|-------|------|-------|------|-------|
| | | | | F-28A | 280 | F-28C | 280C | F-28F | 280F | 280FX |
| 160 | NAS6605D11 | . Bolt | 1 | X | X | X | X | X | X | X |
| 160 | AN5-11 | . Bolt (Superseded by NAS6605D11) | 1 | X | X | X | X | X | X | X |
| 170 | NAS1149F0563P | . Washer | A/R | X | X | X | X | X | X | X |
| 170 | AN960-516 | . Washer (Alternate) | A/R | X | X | X | X | X | X | X |
| 180 | AN916-516L | . Washer | A/R | X | X | X | X | X | X | X |
| 190 | MS17825-5 | . Nut | 1 | X | X | X | X | X | X | X |
| 190 | F12NE-4753-054 | . Nut (Superseded by MS17825-5) | 1 | X | X | X | X | X | X | X |
| 200 | MS24665-151 | . Cotter Pin | 1 | X | X | X | X | X | X | X |
| 200 | AN381-2-8 | . Cotter Pin (Superseded by MS24665-151) | 1 | X | X | X | X | X | X | X |

UNCONTROLLED COPY WHEN DOWNLOADED OR PRINTED

ENSTROM F-28/280 SERIES ILLUSTRATED PARTS CATALOG

INTENTIONALLY LEFT BLANK

ENSTROM F-28/280 SERIES ILLUSTRATED PARTS CATALOG

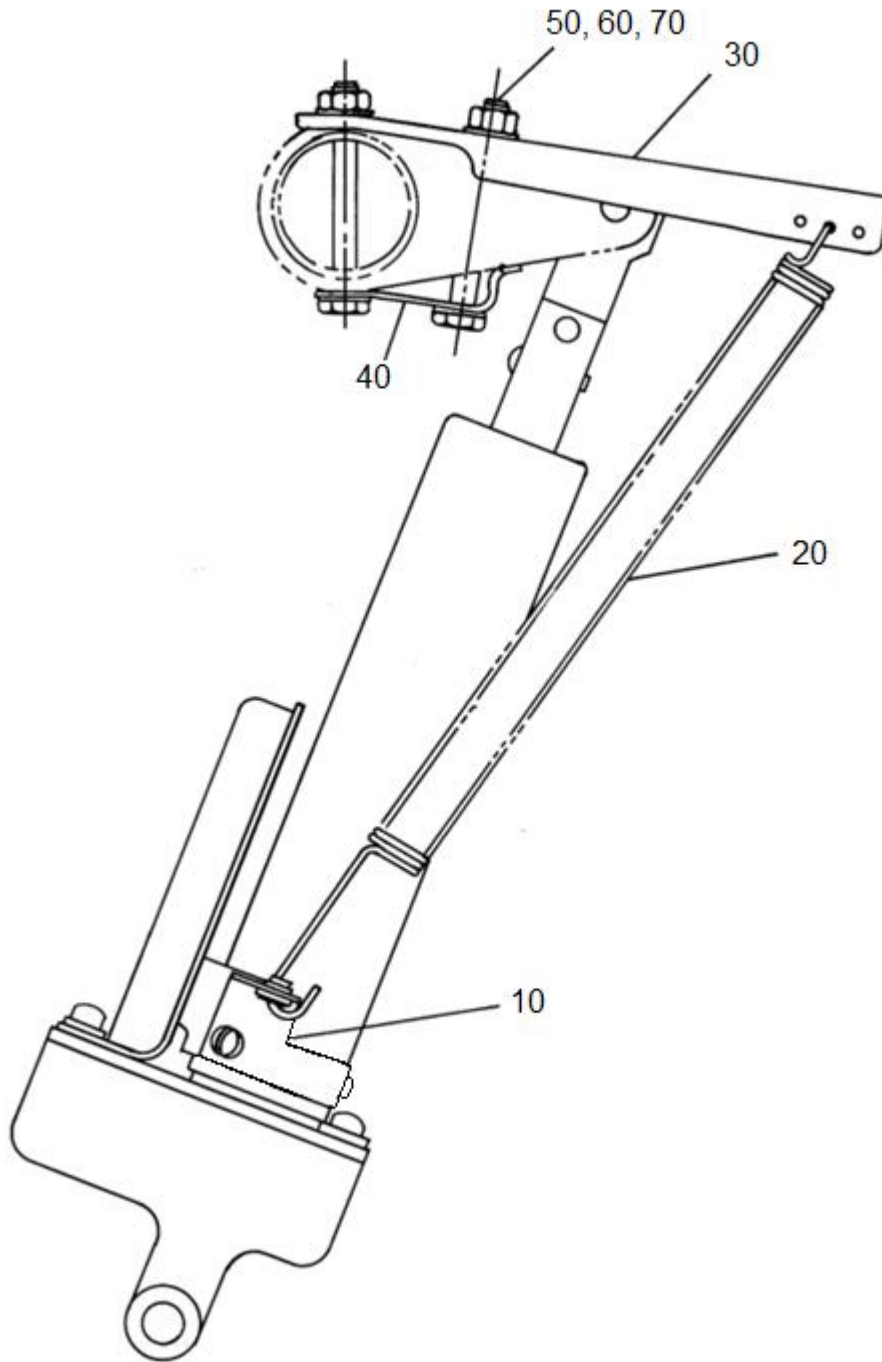


FIGURE 8-7. LATERAL TRIM WITH BIAS SPRING INSTALLATION

UNCONTROLLED COPY WHEN DOWNLOADED OR PRINTED

ENSTROM F-28/280 SERIES ILLUSTRATED PARTS CATALOG

FIGURE 8-7. LATERAL TRIM WITH BIAS SPRING INSTALLATION

| ITEM NUMBER | PART NUMBER | DESCRIPTION | QTY PER ASSY | MODELS AFFECTED | | | | | | |
|-------------|---------------|--|--------------|-----------------|-----|-------|------|-------|------|-------|
| | | | | F-28A | 280 | F-28C | 280C | F-28F | 280F | 280FX |
| – | 28-16618-103 | Lateral Spring Housing Assembly | REF | | | X | X | X | X | X |
| 10♦ | 28-162043-1 | . Bracket Assembly - Spring | 1 | | | X | X | X | X | X |
| –10 | 28-162041-1 | . Bracket Assembly (Left Hand) (Inactive) (Superseded by 28-162043-1) | 1 | | | X | X | X | X | X |
| –10 | 28-162041-2 | . Bracket Assembly (Right Hand) (Inactive) (Superseded by 28-162043-1) | 1 | | | X | X | X | X | X |
| 20*♦ | 28-16283-4 | . . Spring | 2 | | | X | X | X | X | X |
| 30*♦ | 28-162042-11 | . . Bracket Bias Spring | 1 | | | X | X | X | X | X |
| 40*♦ | 28-162040-11 | . . Clip | 1 | | | X | X | X | X | X |
| 50*♦ | NAS6603-24 | . . Bolt | 2 | | | X | X | X | X | X |
| 50*♦ | AN3-17A | . . Bolt (Superseded by NAS6603-24) | 2 | | | X | X | X | X | X |
| 60*♦ | NAS1149F0332P | . . Washer | 4 | | | X | X | X | X | X |
| 60*♦ | AN960-10L | . . Washer (Alternate) | 4 | | | X | X | X | X | X |
| 70* | MS20364-1032 | . . Nut | 2 | | | X | X | X | X | X |
| 70* | AN364-1032 | . . Nut (Alternate) | 2 | | | X | X | X | X | X |
| –♦ | NAS1101-08-6 | . Screw | 3 | | | X | X | X | X | X |
| –♦ | AN503-8-6 | . Screw (Superseded by NAS1101-08-6) | 3 | | | X | X | X | X | X |
| –♦ | MS21083N3 | . Nut | 2 | | | X | X | X | X | X |

* 28-16293-2 & -3 installation not required with these components on relocated Lateral Trim System.

♦ Items included in kit 28-01034-1.

UNCONTROLLED COPY WHEN DOWNLOADED OR PRINTED

ENSTROM F-28/280 SERIES ILLUSTRATED PARTS CATALOG

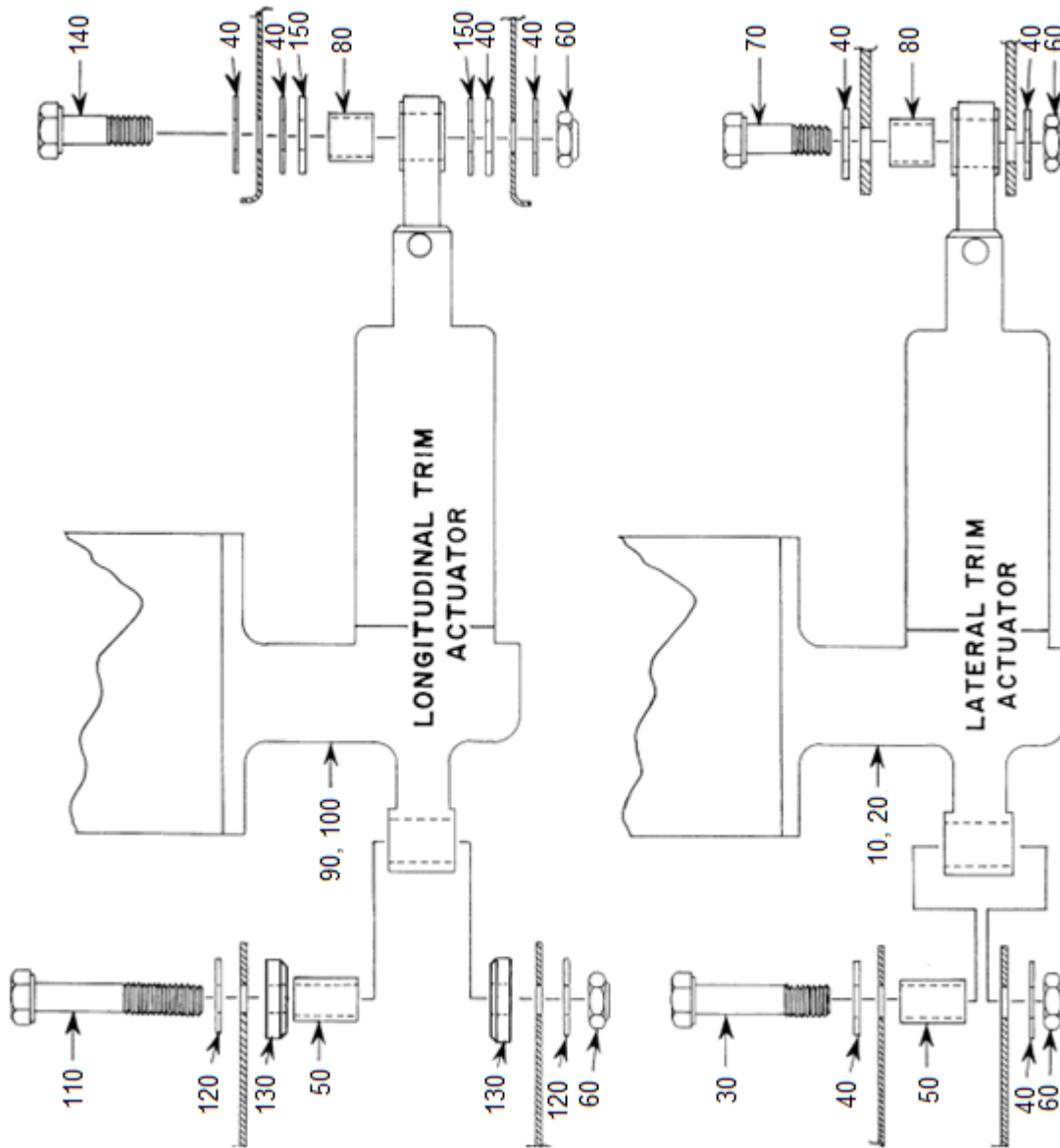


FIGURE 8-8. TRIM ACTUATOR CAPSULE INSTALLATION

UNCONTROLLED COPY WHEN DOWNLOADED OR PRINTED

ENSTROM F-28/280 SERIES ILLUSTRATED PARTS CATALOG

FIGURE 8-8. TRIM ACTUATOR CAPSULE INSTALLATION

| ITEM NUMBER | PART NUMBER | DESCRIPTION | QTY PER ASSY | MODELS AFFECTED | | | | | | |
|-------------|---------------|---|--------------|-----------------|-----|-------|------|-------|------|-------|
| | | | | F-28A | 280 | F-28C | 280C | F-28F | 280F | 280FX |
| – | 28-16024 | Cyclic Control System Installation | REF | X | X | X | X | X | X | X |
| 10◇ | 28-16600-115 | . Lateral Trim Motor Assy. (24V) | 1 | | | | | X | X | X |
| 10 | 28-16600-107 | . Lateral Trim Motor Assy. (24V) (Superseded by 28-16600-115) | 1 | | | | | X | X | X |
| 10 | 28-16600-103 | . Lateral Trim Motor Assy. (24V) (Superseded by 28-16600-107) | 1 | | | | | X | X | X |
| 20Δ | 28-16600-119 | . Lateral Trim Motor Assy. (12V) | 1 | | | | | X | X | X |
| 20 | 28-16600-111 | . Lateral Trim Motor Assy. (12V) Superseded by 28-16600-119) | 1 | | | | | X | X | X |
| 20 | 28-16600-10 | . Lateral Trim Motor Assy. (12V) (Superseded by 28-16600-111) | 1 | | | | | X | X | X |
| 20* | 28-16600-8 | . Lateral Trim Motor Assy. (12V) | 1 | X | X | X | X | | | |
| 30 | NAS6604-13 | . . Bolt | 1 | X | X | X | X | X | X | X |
| 30 | AN4-12A | . . Bolt (Superseded by NAS6604-13) | 1 | X | X | X | X | X | X | X |
| 40 | NAS1149F0432P | . . Washer | 8 | X | X | X | X | X | X | X |
| 40 | AN960-416L | . . Washer (Alternate) | 8 | X | X | X | X | X | X | X |
| 50 | 28-16625-1 | . . Spacer | 2 | X | X | X | X | X | X | X |
| 60 | MS20364-428 | . . Nut | 4 | X | X | X | X | X | X | X |
| 60 | AN364-428 | . . Nut (Alternate) | 4 | X | X | X | X | X | X | X |
| 70 | NAS6604-9 | . . Bolt | 1 | X | X | X | X | X | X | X |
| 70 | AN4-10A | . . Bolt (Superseded by NAS6604-9) | 1 | X | X | X | X | X | X | X |
| 80 | 28-16203-1 | . . Spacer | 2 | X | X | X | X | X | X | X |
| 90◇ | 28-16600-113 | . Longitudinal Trim Motor Assy. (24V) | 1 | | | | | X | X | X |
| 90 | 28-16600-105 | . Longitudinal Trim Motor Assy. (24V) (Superseded by 28-16600-113) | 1 | | | | | X | X | X |
| 90 | 28-16600-101 | . Longitudinal Trim Motor Assy. (24V) (Superseded by 28-16600-105) | 1 | | | | | X | X | X |
| 100Δ | 28-16600-117 | . Longitudinal Trim Motor Assy. (12V) | 1 | | | | | X | X | X |

UNCONTROLLED COPY WHEN DOWNLOADED OR PRINTED

ENSTROM F-28/280 SERIES ILLUSTRATED PARTS CATALOG

FIGURE 8-8. TRIM ACTUATOR CAPSULE INSTALLATION

| ITEM NUMBER | PART NUMBER | DESCRIPTION | QTY PER ASSY | MODELS AFFECTED | | | | | | |
|-------------|---------------|--|--------------|-----------------|-----|-------|------|-------|------|-------|
| | | | | F-28A | 280 | F-28C | 280C | F-28F | 280F | 280FX |
| 100 | 28-16600-109 | . Longitudinal Trim Motor Assy. (12V) (Superseded by 28-16600-117) | 1 | | | | | X | X | X |
| 100 | 28-16600-9 | . Longitudinal Trim Motor Assy. (12V) (Superseded by 28-16600-109) | 1 | | | | | X | X | X |
| 100** | 28-16600-7 | . Longitudinal Trim Motor Assy. (12V) | 1 | X | X | X | X | | | |
| 110 | NAS6604-23 | . . Bolt | 1 | X | X | X | X | X | X | X |
| 110 | AN4-17A | . . Bolt (Superseded by NAS6604-23) | 1 | X | X | X | X | X | X | X |
| 120 | ECD050-11 | . . Washer | 2 | X | X | X | X | X | X | X |
| 120 | 1/4 Harper | . . Washer (Alternate) | 2 | X | X | X | X | X | X | X |
| 130 | 28-16211-1 | . . Spacer | 2 | X | X | X | X | X | X | X |
| 140 | NAS6604-11 | . . Bolt | 1 | X | X | X | X | X | X | X |
| 140 | AN4-11A | . . Bolt (Superseded by NAS6604-11) | 1 | X | X | X | X | X | X | X |
| 150 | NAS1149F0463P | . . Washer | 2 | X | X | X | X | X | X | X |
| 150 | AN960-416 | . . Washer (Alternate) | 2 | X | X | X | X | X | X | X |

* Replaced by 28-16600-119.

** Replaced by 28-16600-117.

◇ Complies with SDB 0110, latest revision, as the assembly is based on components established in kit 28-01063-1 (aircraft modified IAW SDB 0110, latest revision, meet the required action stated in FAA AD 2012-11-05).

△ Applies to F-28F models equipped with a 12 volt D.C. system with trim relays (S/N 815 only). Previous note (◇) is also applicable.

UNCONTROLLED COPY WHEN DOWNLOADED OR PRINTED

ENSTROM F-28/280 SERIES ILLUSTRATED PARTS CATALOG

INTENTIONALLY LEFT BLANK

ENSTROM F-28/280 SERIES ILLUSTRATED PARTS CATALOG

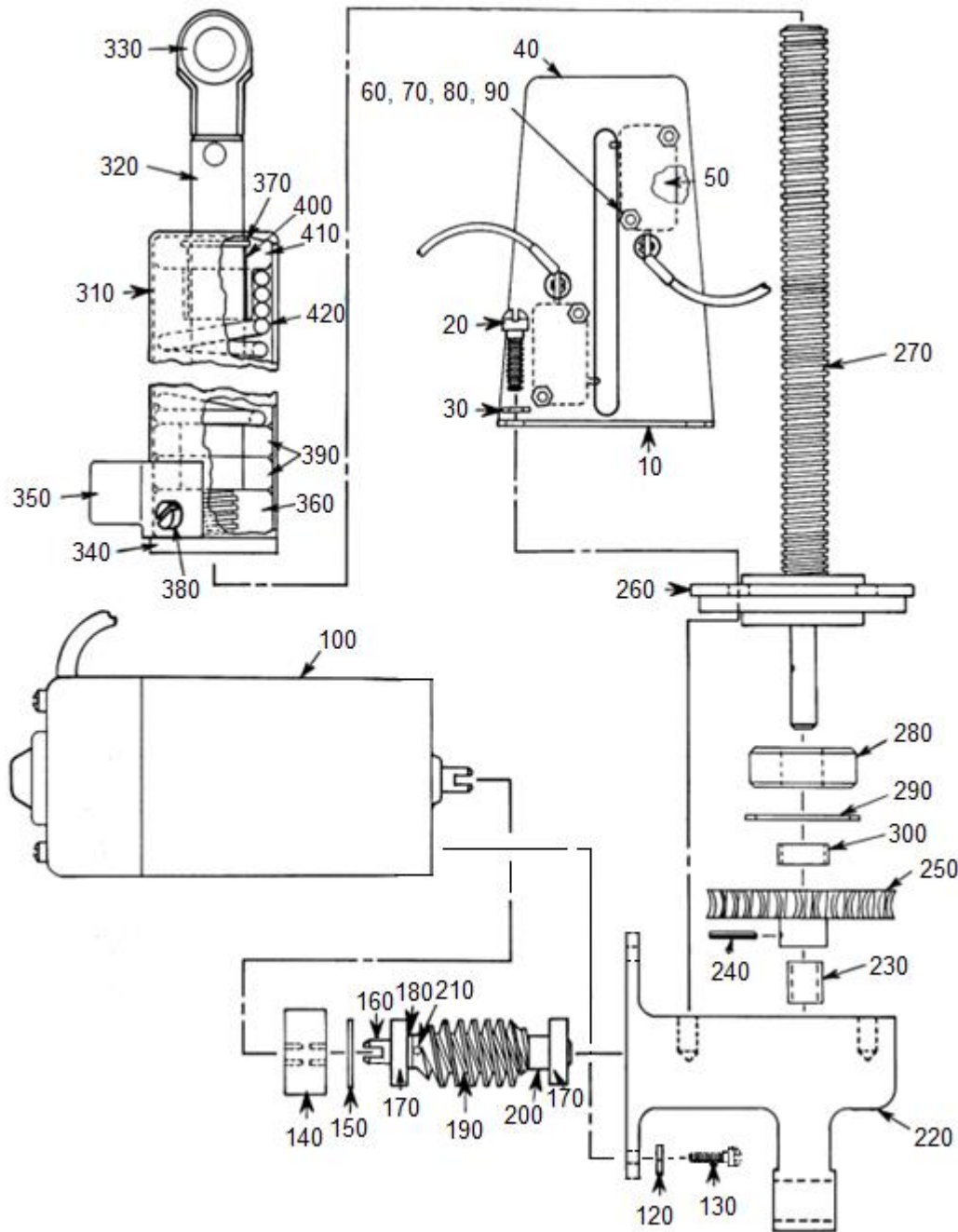


FIGURE 8-9. LATERAL TRIM ASSEMBLY

ENSTROM F-28/280 SERIES ILLUSTRATED PARTS CATALOG

FIGURE 8-9. LATERAL TRIM ASSEMBLY

| ITEM NUMBER | PART NUMBER | DESCRIPTION | QTY PER ASSY | MODELS AFFECTED | | | | | | |
|-------------|---------------|---|--------------|-----------------|-----|-------|------|-------|------|-------|
| | | | | F-28A | 280 | F-28C | 280C | F-28F | 280F | 280FX |
| -◇ | 28-16600-115 | Actuator Assembly (24V) | REF | X | X | X | X | X | X | X |
| -△ | 28-16600-119 | Actuator Assembly (12V) | REF | X | X | X | X | X | X | X |
| - | 28-16636-5 | . Switch Assembly | 1 | X | X | X | X | X | X | X |
| - | 28-16636-3 | . Switch Assembly (Replaced by 28-16636-5) | 1 | X | X | X | X | X | X | X |
| 10*◆ | 28-16614-5 | . . Bracket Switch | 1 | X | X | X | X | X | X | X |
| 10* | 28-16614-3 | . . Bracket Switch (Replaced by 28-16614-5) | 1 | | | | | X | X | X |
| -10 | 28-16614-1 | . . Bracket Switch | 1 | X | X | X | X | X | X | |
| 20◆ | NAS1101-3-10 | . Screw | 2 | X | X | X | X | X | X | X |
| 20◆ | AN502-10-10 | . Screw (Superseded by NAS1101-3-10) | 2 | X | X | X | X | X | X | X |
| 30▲ | NAS1149F0363P | . Washer | 4 | X | X | X | X | X | X | X |
| 30▲ | AN960-10 | . Washer (Alternate) | 4 | X | X | X | X | X | X | X |
| - | NAS1101-3-8 | . Screw | 2 | X | X | X | X | X | X | X |
| - | AN502-10-8 | . Screw (Superseded by NAS1101-3-8) | 2 | X | X | X | X | X | X | X |
| 40*◆ | 28-16624-11 | . . Shield Switch | 1 | X | X | X | X | X | X | X |
| 40* | 28-16624-3 | . . Shield Switch (Replaced by 28-16624-11) | 1 | | | | | X | X | X |
| -40 | 28-16624-1 | . . Shield Switch | 1 | X | X | X | X | | | |
| 50 | V3-1 | . . Micro Switch | 2 | X | X | X | X | X | X | X |
| 60◆ | MS35206-219 | . . Screw | 4 | X | X | X | X | X | X | X |
| 60 | AN515-4R12 | . . Screw (Superseded by MS35206-219) | 4 | X | X | X | X | X | X | X |
| 70 | NAS1149FN416P | . . Washer | 4 | X | X | X | X | X | X | X |
| 70 | AN960-4L | . . Washer (Alternate) | 4 | X | X | X | X | X | X | X |
| 80 | MS35338-40 | . . Lock Washer | 4 | X | X | X | X | X | X | X |
| 80 | AN935-4 | . . Lock Washer (Alternate) | 4 | X | X | X | X | X | X | X |
| 90 | MS35649-242 | . . Nut | 4 | X | X | X | X | X | X | X |
| 90 | AN340-4 | . . Nut (Superseded by MS35649-242) | 4 | X | X | X | X | X | X | X |
| 100 | 210A155 | . Motor (24V) | 1 | | | | | X | X | X |

UNCONTROLLED COPY WHEN DOWNLOADED OR PRINTED

ENSTROM F-28/280 SERIES ILLUSTRATED PARTS CATALOG

FIGURE 8-9. LATERAL TRIM ASSEMBLY

| ITEM NUMBER | PART NUMBER | DESCRIPTION | QTY PER ASSY | MODELS AFFECTED | | | | | | |
|-------------|---------------|--|--------------|-----------------|-----|-------|------|-------|------|-------|
| | | | | F-28A | 280 | F-28C | 280C | F-28F | 280F | 280FX |
| -110 | 210A249 | . Motor (12V) | 1 | | | | | X | X | X |
| -110A | 28-16621-1 | . Motor (12V) | 1 | X | X | X | X | X | X | X |
| 120 | NAS1149FN816P | . Washer | 2 | X | X | X | X | X | X | X |
| 130 | NAS1101-08-8 | . Screw | 2 | X | X | X | X | X | X | X |
| 130 | AN503-8-8 | . Screw (Superseded by NAS1101-08-8) | 2 | X | X | X | X | X | X | X |
| -▲ | MS35338-43 | . Lock Washer | 2 | X | X | X | X | X | X | X |
| -▲ | AN935-10 | . Lock Washer (Alternate) | 2 | X | X | X | X | X | X | X |
| -▲ | MS35650-302 | . Nut | 2 | X | X | X | X | X | X | X |
| -▲ | AN345-10 | . Nut (Superseded by MS35650-302) | 2 | X | X | X | X | X | X | X |
| 140 | 28-16633-1 | . Coupling | 1 | X | X | X | X | X | X | X |
| 140 | J3459-8 | . Coupling (Replaced by 28-16633-1) | 1 | X | X | X | X | X | X | X |
| 150 | N5000-62-PP | . Snap Ring | 1 | X | X | X | X | X | X | X |
| - | 28-16620-2 | . Worm & Shaft Assembly | 1 | X | X | X | X | X | X | X |
| 160 | 28-16619-1 | . . Shaft | 1 | X | X | X | X | X | X | X |
| 170 | ECD066-1 | . . Bearing | 2 | X | X | X | X | X | X | X |
| 170 | Z9R4X3 | . . Bearing (Superseded by ECD066-1) | 2 | X | X | X | X | X | X | X |
| 180 | 28-16610-1 | . . Spacer | 1 | X | X | X | X | X | X | X |
| 190 | HLUH | . . Worm | 1 | X | X | X | X | X | X | X |
| 200 | 28-16609-1 | . . Spacer | 1 | X | X | X | X | X | X | X |
| 210 | MS16562-211 | . . Spring Pin | 1 | X | X | X | X | X | X | X |
| 210 | GX-5 | . . Roll Pin (Alternate) | 1 | X | X | X | X | X | X | X |
| 220 | 28-16630-4 | . Gear Housing | 1 | X | X | X | X | X | X | X |
| 220 | 28-16630-2 | . Gear Housing R.H. (Superseded by 28-16630-4) | 1 | X | X | X | X | X | X | X |
| 230 | B46-2 1/2 | . Bearing | 1 | X | X | X | X | X | X | X |
| - | 28-16617-2 | . Acme Screw Shaft Assembly | 1 | X | X | X | X | X | X | X |
| 240 | MS16562-213 | . . Roll Pin | 1 | X | X | X | X | X | X | X |
| 250 | 28-16635-1 | . . Worm Gear | 1 | X | X | X | X | X | X | X |

UNCONTROLLED COPY WHEN DOWNLOADED OR PRINTED

ENSTROM F-28/280 SERIES ILLUSTRATED PARTS CATALOG

FIGURE 8-9. LATERAL TRIM ASSEMBLY

| ITEM NUMBER | PART NUMBER | DESCRIPTION | QTY PER ASSY | MODELS AFFECTED | | | | | | |
|-------------|--------------|--|--------------|-----------------|-----|-------|------|-------|------|-------|
| | | | | F-28A | 280 | F-28C | 280C | F-28F | 280F | 280FX |
| 260 | 28-16632-1 | . . Cover Gear Housing | 1 | X | X | X | X | X | X | X |
| 270 | 28-16607-1 | . . Acme Screw Shaft | 1 | X | X | X | X | X | X | X |
| - | 4166053-11 | . . Shim | A/R | X | X | X | X | X | X | X |
| - | 4166053-13 | . . Shim | A/R | X | X | X | X | X | X | X |
| - | 4166053-15 | . . Shim | A/R | X | X | X | X | X | X | X |
| 280 | ECD034-11 | . . Bearing | 1 | X | X | X | X | X | X | X |
| 280 | Z99R6 | . . Bearing (Superseded by ECD034-11) | 1 | X | X | X | X | X | X | X |
| 290 | N5000-87 | . . Snap Ring | 1 | X | X | X | X | X | X | X |
| 290 | N5000-87-PP | . . Snap Ring (Superseded by N5000-87) | 1 | X | X | X | X | X | X | X |
| 300 | 28-16608-1 | . . Spacer | 1 | X | X | X | X | X | X | X |
| 310 | 28-16618-103 | . Spring Housing Assembly | 1 | X | X | X | X | X | X | X |
| 310 | 28-16618-9 | . Spring Housing Assembly (Replaced by 28-16618-103) | 1 | X | X | X | X | X | X | X |
| 310 | 28-16618-6 | . Spring Housing Assembly (Replaced by 28-16618-9) | 1 | X | X | X | X | | | |
| 320 | 28-16616-7 | . . Shaft Assembly | 1 | X | X | X | X | X | X | X |
| 320 | 28-16616-5 | . . Shaft Assembly (Replaced by 28-16616-7) | 1 | X | X | X | X | X | X | X |
| - | 28-16612-5 | . . . Rod End Assembly | 1 | X | X | X | X | X | X | X |
| 330 | 28-16201-1 | Rod End Bearing | 2 | X | X | X | X | X | X | X |
| 340 | 28-16628-1 | . . Snubber Ring | 1 | X | X | X | X | X | X | X |
| 350♦ | 28-16613-3 | . . Micro Switch Actuator | 1 | X | X | X | X | X | X | X |
| 350 | 28-16613-1 | . . Micro Switch Actuator (Replaced by 28-16613-3) | 1 | X | X | X | X | X | X | X |
| 360 | 28-16611-15 | . . Acme Nut | 1 | X | X | X | X | X | X | X |
| 360 | 28-16611-13 | . . Acme Nut (Replaced by 28-16611-15) | 1 | X | X | X | X | X | X | X |
| 360 | 28-16611-1 | . . Acme Nut (Replaced by 28-16611-13) | 1 | X | X | X | X | X | X | X |
| 370 | N5108-56-PP | . . Snap Ring | 1 | X | X | X | X | X | X | X |
| → | 28-162043-3 | . . Bracket Assembly | 1 | X | X | X | X | X | X | X |
| - | 28-162043-1 | . . Bracket Assembly | 1 | X | X | X | X | X | X | X |

UNCONTROLLED COPY WHEN DOWNLOADED OR PRINTED

ENSTROM F-28/280 SERIES ILLUSTRATED PARTS CATALOG

FIGURE 8-9. LATERAL TRIM ASSEMBLY

| ITEM NUMBER | PART NUMBER | DESCRIPTION | QTY PER ASSY | MODELS AFFECTED | | | | | | |
|-------------|--------------|---------------------------------------|--------------|-----------------|-----|-------|------|-------|------|-------|
| | | | | F-28A | 280 | F-28C | 280C | F-28F | 280F | 280FX |
| 380◆ | NAS1101-08-8 | .. Screw | 3 | X | X | X | X | X | X | X |
| 380◆ | AN503-8-8 | .. Screw (Superseded by NAS1101-08-8) | 3 | X | X | X | X | X | X | X |
| 380 | NK 500-8-5 | .. Screw (Superseded by AN503-8-8) | 3 | X | X | X | X | | | |
| 390 | 28-16626-1 | .. Spacer | 1 | X | X | X | X | X | X | X |
| 400 | 09-DU-12 | .. Bearing | 1 | X | X | X | X | X | X | X |
| 410 | 28-16604-1 | .. Retainer | 1 | X | X | X | X | X | X | X |
| 420 | 28-16601-1 | .. Spring | 1 | X | X | X | X | X | X | X |

* Used on 2600# G.W. aircraft.

◆ Items included in kit 28-01063-1.

▲ Items used with 28-16621-1.

◇ Complies with SDB 0110, latest revision, as the assembly is based on components established in kit 28-01063-1 (aircraft modified IAW SDB 0110, latest revision, meet the required action stated in FAA AD 2012-11-05).

Δ Applies to F-28F models equipped with a 12 volt D.C. system with trim relays (S/N 815 only). Previous note (◇) is also applicable.

ENSTROM F-28/280 SERIES ILLUSTRATED PARTS CATALOG

INTENTIONALLY LEFT BLANK

ENSTROM F-28/280 SERIES ILLUSTRATED PARTS CATALOG

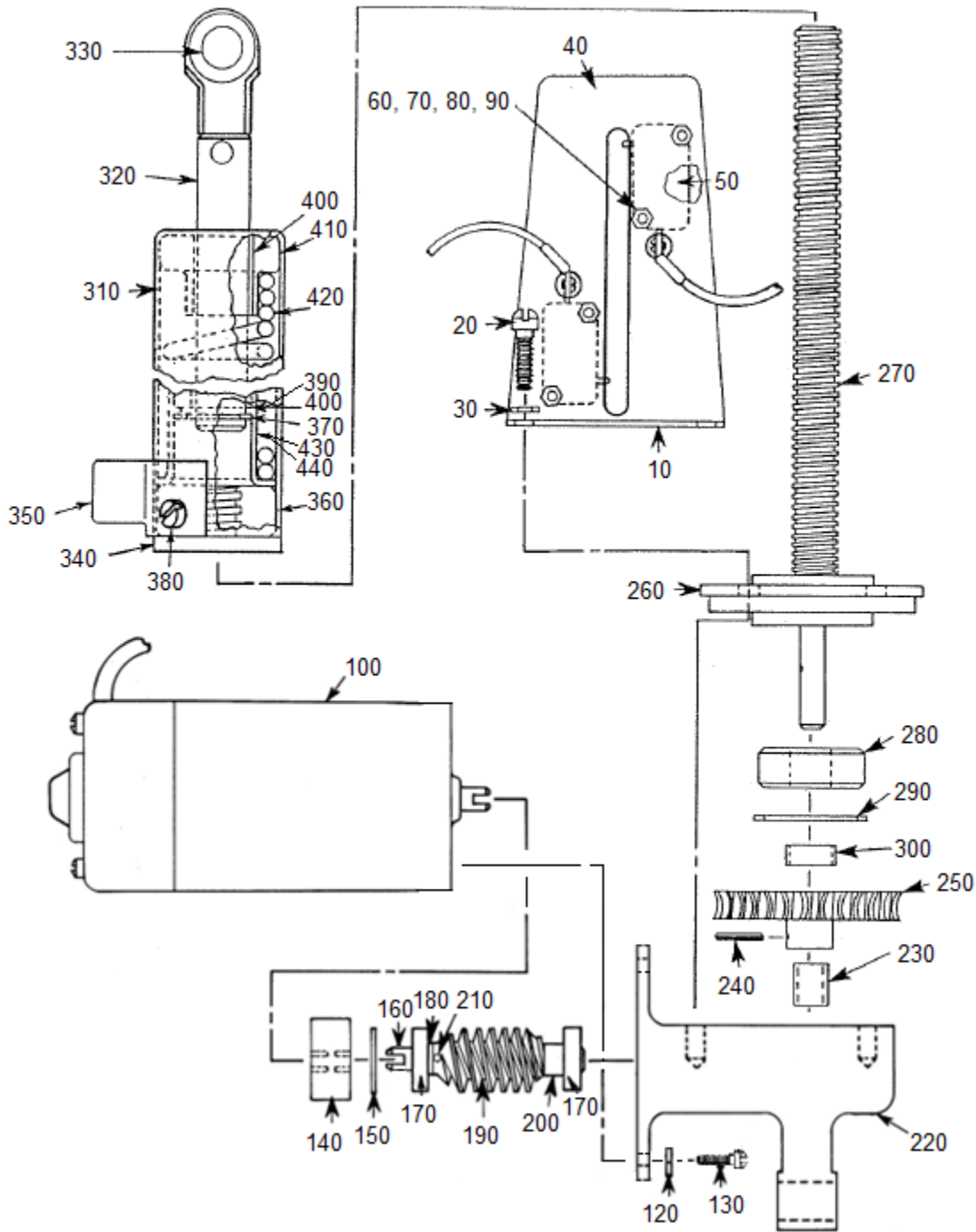


FIGURE 8-10. LONGITUDINAL TRIM ASSEMBLY

UNCONTROLLED COPY WHEN DOWNLOADED OR PRINTED

ENSTROM F-28/280 SERIES ILLUSTRATED PARTS CATALOG

FIGURE 8-10. LONGITUDINAL TRIM ASSEMBLY

| ITEM NUMBER | PART NUMBER | DESCRIPTION | QTY PER ASSY | MODELS AFFECTED | | | | | | |
|-------------|---------------|---|--------------|-----------------|-----|-------|------|-------|------|-------|
| | | | | F-28A | 280 | F-28C | 280C | F-28F | 280F | 280FX |
| –◇ | 28-16600-113 | Actuator Assembly (24V) | REF | X | X | X | X | X | X | X |
| –Δ | 28-16600-117 | Actuator Assembly (12V) | REF | X | X | X | X | X | X | X |
| – | 28-16636-5 | . Switch Assembly | 1 | X | X | X | X | X | X | X |
| – | 28-16636-3 | . Switch Assembly (Replaced by 28-16636-5) | 1 | X | X | X | X | X | X | X |
| 10*◆ | 28-16614-5 | . . Bracket Switch | 1 | X | X | X | X | X | X | X |
| 10* | 28-16614-3 | . . Bracket Switch (Replaced by 28-16614-5) | 1 | | | | | X | X | X |
| –10 | 28-16614-1 | . . Bracket Switch | 1 | X | X | X | X | | | |
| 20◆ | NAS1101-3-10 | . Screw | 2 | X | X | X | X | X | X | X |
| 20◆ | AN502-10-10 | . Screw (Superseded by NAS1101-3-10) | 2 | X | X | X | X | X | X | X |
| 30▲ | NAS1149F0363P | . Washer | 4 | X | X | X | X | X | X | X |
| 30▲ | AN960-10 | . Washer (Alternate) | 4 | X | X | X | X | X | X | X |
| – | NAS1101-3-8 | . Screw | 2 | X | X | X | X | X | X | X |
| – | AN502-10-8 | . Screw (Superseded by NAS1101-3-8) | 2 | X | X | X | X | X | X | X |
| 40*◆ | 28-16624-11 | . . Shield Switch | 1 | X | X | X | X | X | X | X |
| 40* | 28-16624-3 | . . Shield Switch (Replaced by 28-16624-11) | 1 | | | | | X | X | X |
| –40 | 28-16624-1 | . . Shield Switch | 1 | X | X | X | X | | | |
| 50 | V3-1 | . . Micro Switch | 2 | X | X | X | X | X | X | X |
| 60◆ | MS35206-219 | . . Screw | 4 | X | X | X | X | X | X | X |
| 60 | AN515-4R12 | . . Screw (Superseded by MS35206-219) | 4 | X | X | X | X | X | X | X |
| 70 | NAS1149FN416P | . . Washer | 4 | X | X | X | X | X | X | X |
| 70 | AN960-4L | . . Washer (Alternate) | 4 | X | X | X | X | X | X | X |
| 80 | MS35338-40 | . . Lock Washer | 4 | X | X | X | X | X | X | X |
| 80 | AN935-4 | . . Lock Washer (Alternate) | 4 | X | X | X | X | X | X | X |
| 90 | MS35649-242 | . . Nut | 4 | X | X | X | X | X | X | X |
| 90 | AN340-4 | . . Nut (Superseded by MS35649-242) | 4 | X | X | X | X | X | X | X |
| 100 | 210A155 | . Motor (24V) | 1 | | | | | X | X | X |

UNCONTROLLED COPY WHEN DOWNLOADED OR PRINTED

ENSTROM F-28/280 SERIES ILLUSTRATED PARTS CATALOG

FIGURE 8-10. LONGITUDINAL TRIM ASSEMBLY

| ITEM NUMBER | PART NUMBER | DESCRIPTION | QTY PER ASSY | MODELS AFFECTED | | | | | | |
|-------------|---------------|--|--------------|-----------------|-----|-------|------|-------|------|-------|
| | | | | F-28A | 280 | F-28C | 280C | F-28F | 280F | 280FX |
| -110 | 210A249 | . Motor (12V) | 1 | | | | | X | X | X |
| -110A | 28-16621-1 | . Motor (12V) | 1 | X | X | X | X | X | X | X |
| 120 | NAS1149FN816P | . Washer | 2 | X | X | X | X | X | X | X |
| 130 | NAS1101-08-8 | . Screw | 2 | X | X | X | X | X | X | X |
| 130 | AN503-8-8 | . Screw (Superseded by NAS1101-08-8) | 2 | X | X | X | X | X | X | X |
| -▲ | MS35338-43 | . Lock Washer | 2 | X | X | X | X | X | X | X |
| -▲ | AN935-10 | . Lock Washer (Alternate) | 2 | X | X | X | X | X | X | X |
| -▲ | MS35650-302 | . Nut | 2 | X | X | X | X | X | X | X |
| -▲ | AN345-10 | . Nut (Superseded by MS35650-302) | 2 | X | X | X | X | X | X | X |
| 140 | 28-16633-1 | . Coupling | 1 | X | X | X | X | X | X | X |
| 140 | J3459-8 | . Coupling (Replaced by 28-16633-1) | 1 | X | X | X | X | X | X | X |
| 150 | N5000-62-PP | . Snap Ring | 1 | X | X | X | X | X | X | X |
| - | 28-16620-1 | . Worm & Shaft Assembly | 1 | X | X | X | X | X | X | X |
| 160 | 28-16619-1 | . . Shaft | 1 | X | X | X | X | X | X | X |
| 170 | ECD066-1 | . . Bearing | 2 | X | X | X | X | X | X | X |
| 170 | Z9R4X3 | . . Bearing (Superseded by ECD066-1) | 2 | X | X | X | X | X | X | X |
| 180 | 28-16610-1 | . . Spacer | 1 | X | X | X | X | X | X | X |
| 190 | HDUH | . . Worm | 1 | X | X | X | X | X | X | X |
| 200 | 28-16609-1 | . . Spacer | 1 | X | X | X | X | X | X | X |
| 210 | MS16562-211 | . . Spring Pin | 1 | X | X | X | X | X | X | X |
| 210 | GX-5 | . . Roll Pin (Alternate) | 1 | X | X | X | X | X | X | X |
| 220 | 28-16630-3 | . Gear Housing | 1 | X | X | X | X | X | X | X |
| 220 | 28-16630-1 | . Gear Housing L.H. (Superseded by 28-16630-3) | 1 | X | X | X | X | X | X | X |
| 230 | B46-2 1/2 | . Bearing | 1 | X | X | X | X | X | X | X |
| - | 28-16617-1 | . Acme Screw Shaft Assembly | 1 | X | X | X | X | X | X | X |
| 240 | MS16562-213 | . . Roll Pin | 1 | X | X | X | X | X | X | X |
| 250 | 28-16623-1 | . . Worm Gear | 1 | X | X | X | X | X | X | X |

UNCONTROLLED COPY WHEN DOWNLOADED OR PRINTED

ENSTROM F-28/280 SERIES ILLUSTRATED PARTS CATALOG

FIGURE 8-10. LONGITUDINAL TRIM ASSEMBLY

| ITEM NUMBER | PART NUMBER | DESCRIPTION | QTY PER ASSY | MODELS AFFECTED | | | | | | |
|-------------|--------------|--|--------------|-----------------|-----|-------|------|-------|------|-------|
| | | | | F-28A | 280 | F-28C | 280C | F-28F | 280F | 280FX |
| 260 | 28-16632-1 | . . Cover Gear Housing | 1 | X | X | X | X | X | X | X |
| 270 | 28-16607-1 | . . Acme Screw Shaft | 1 | X | X | X | X | X | X | X |
| - | 4166053-11 | . . Shim | A/R | X | X | X | X | X | X | X |
| - | 4166053-13 | . . Shim | A/R | X | X | X | X | X | X | X |
| - | 4166053-15 | . . Shim | A/R | X | X | X | X | X | X | X |
| 280 | ECD034-11 | . . Bearing | 1 | X | X | X | X | X | X | X |
| 280 | Z99R6 | . . Bearing (Superseded by ECD034-11) | 1 | X | X | X | X | X | X | X |
| 290 | N5000-87 | . . Snap Ring | 1 | X | X | X | X | X | X | X |
| 290 | N5000-87-PP | . . Snap Ring (Superseded by N5000-87) | 1 | X | X | X | X | X | X | X |
| 300 | 28-16608-1 | . . Spacer | 1 | X | X | X | X | X | X | X |
| 310 | 28-16618-105 | . Spring Housing Assembly | 1 | X | X | X | X | X | X | X |
| 310 | 28-16618-101 | . Spring Housing Assembly (Replaced by 28-16618-105) | 1 | X | X | X | X | X | X | X |
| 310 | 28-16618-7 | . Housing Assembly (Replaced by 28-16618-101) | 1 | | | | | X | X | X |
| 320 | 28-16616-9 | . . Shaft Assembly | 1 | X | X | X | X | X | X | X |
| 320 | 28-16616-1 | . . Shaft Assembly (Replaced by 28-16616-9) | 1 | X | X | X | X | X | X | X |
| - | 28-16612-5 | . . . Rod Assembly | 1 | X | X | X | X | X | X | X |
| 330 | 28-16201-1 | Rod End Bearing | 2 | X | X | X | X | X | X | X |
| 340 | 28-16628-1 | . . Rubber Snubber | 1 | X | X | X | X | X | X | X |
| 350♦ | 28-16613-3 | . . Micro Switch Actuator | 1 | X | X | X | X | X | X | X |
| 350 | 28-16613-1 | . . Micro Switch Actuator (Replaced by 28-16613-3) | 1 | X | X | X | X | X | X | X |
| 360 | 28-16611-15 | . . Acme Nut | 1 | X | X | X | X | X | X | X |
| 360 | 28-16611-13 | . . Acme Nut (Replaced by 28-16611-15) | 1 | X | X | X | X | X | X | X |
| 360 | 28-16611-1 | . . Acme Nut (Replaced by 28-16611-13) | 1 | X | X | X | X | X | X | X |
| 370 | N5108-56-PP | . . Snap Ring | 1 | X | X | X | X | X | X | X |
| 380♦ | NAS1101-08-6 | . . Screw | 3 | X | X | X | X | X | X | X |

UNCONTROLLED COPY WHEN DOWNLOADED OR PRINTED

ENSTROM F-28/280 SERIES ILLUSTRATED PARTS CATALOG

FIGURE 8-10. LONGITUDINAL TRIM ASSEMBLY

| ITEM NUMBER | PART NUMBER | DESCRIPTION | QTY PER ASSY | MODELS AFFECTED | | | | | | |
|-------------|-------------|--|--------------|-----------------|-----|-------|------|-------|------|-------|
| | | | | F-28A | 280 | F-28C | 280C | F-28F | 280F | 280FX |
| 380♦ | AN503-8-6 | . . Screw (Superseded by NAS1101-08-6) | 3 | X | X | X | X | X | X | X |
| 380 | NK 500-8-5 | . . Screw (Superseded by AN503-8-6) | 3 | X | X | X | X | X | X | X |
| 390 | 09-DU-10 | . . Bearing | 1 | X | X | X | X | X | X | X |
| 400 | 09-DU-12 | . . Bearing | 2 | X | X | X | X | X | X | X |
| 410 | 28-16604-1 | . . Retainer | 1 | X | X | X | X | X | X | X |
| 420 | 28-16601-1 | . . Spring | 1 | X | X | X | X | X | X | X |
| 430 | 28-16603-15 | . . Retainer | 1 | | | | | X | X | X |
| 440 | 28-16603-1 | . . Retainer | 1 | X | X | X | X | | | |

* Used on 2600# G. W. aircraft.

♦ Items included in kit 28-01063-1.

▲ Items used with 28-16621-1.

◇ Complies with SDB 0110, latest revision, as the assembly is based on components established in kit 28-01063-1 (aircraft modified IAW SDB 0110, latest revision, meet the required action stated in FAA AD 2012-11-05).

△ Applies to F-28F models equipped with a 12 volt D.C. system with trim relays (S/N 815 only). Previous note (◇) is also applicable.

ENSTROM F-28/280 SERIES ILLUSTRATED PARTS CATALOG

INTENTIONALLY LEFT BLANK

ENSTROM F-28/280 SERIES ILLUSTRATED PARTS CATALOG

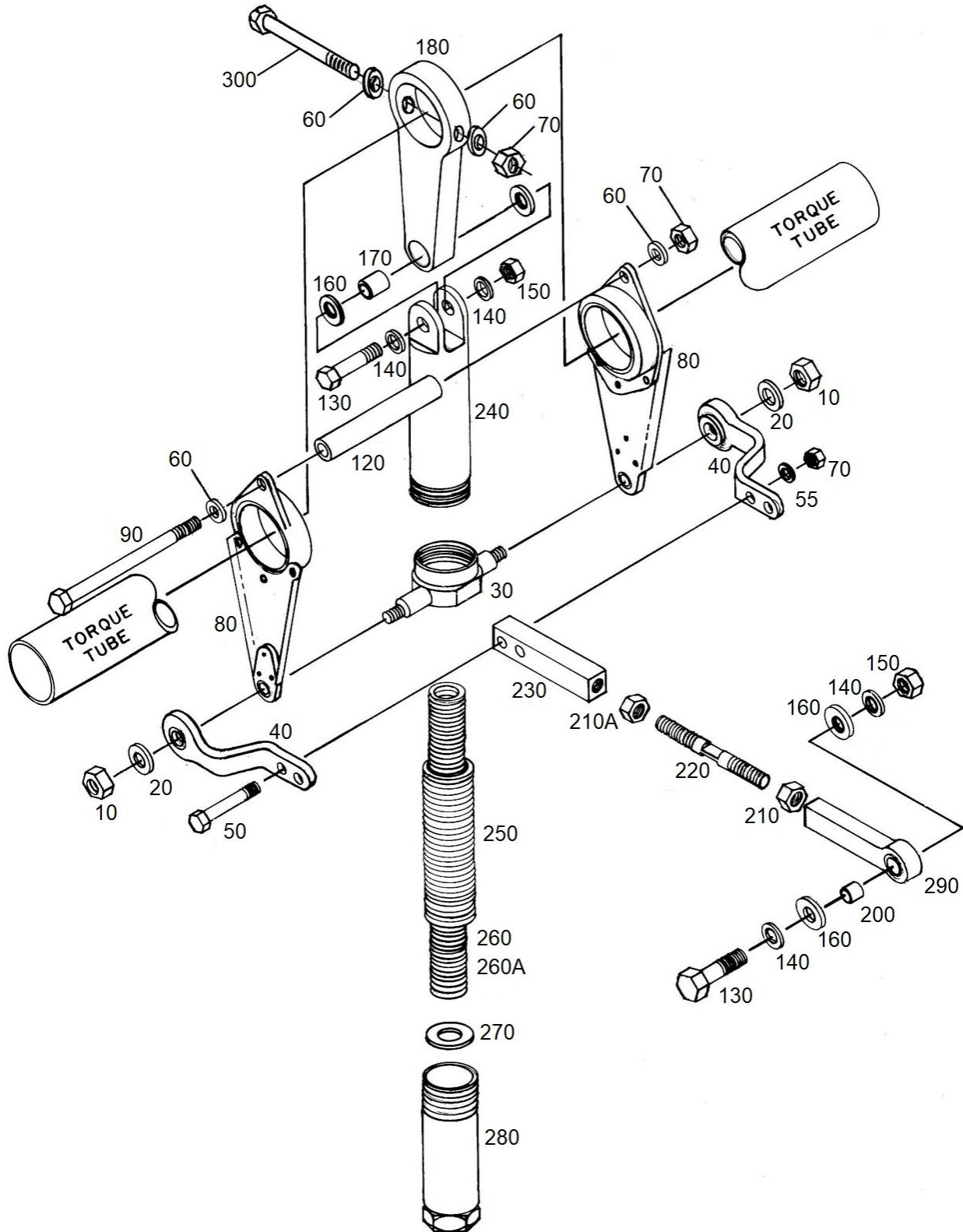


FIGURE 8-11. COLLECTIVE TRIM, SPRING CAPSULE

UNCONTROLLED COPY WHEN DOWNLOADED OR PRINTED

ENSTROM F-28/280 SERIES ILLUSTRATED PARTS CATALOG

FIGURE 8-11. COLLECTIVE TRIM, SPRING CAPSULE

| ITEM NUMBER | PART NUMBER | DESCRIPTION | QTY PER ASSY | MODELS AFFECTED | | | | | | |
|-------------|---------------|------------------------------------|--------------|-----------------|-----|-------|------|-------|------|-------|
| | | | | F-28A | 280 | F-28C | 280C | F-28F | 280F | 280FX |
| 10 | AN364-428A | . Nut | 2 | X | X | X | X | X | X | X |
| 10 | MS21083N4 | . Nut (Alternate to AN364-428A) | 2 | X | X | X | X | X | X | X |
| 20 | ECD050-25 | . Washer | 2 | X | X | X | X | X | X | X |
| 20 | 1/4 Harper | . Washer (Superseded by ECD050-25) | 2 | X | X | X | X | X | X | X |
| 30 | 28-16232-1 | . Pivot Housing | 1 | X | X | X | X | X | X | X |
| 40†† | 28-16239-101 | . Bracket Assembly | 2 | X | X | X | X | X | X | X |
| 40∞ | 28-16239-9 | . Bracket Assembly | 2 | X | X | X | X | X | X | X |
| 40▼ | 28-16239-5 | . Bracket Assembly | 2 | X | X | X | X | X | X | X |
| 40 | 28-16239-1 | . Bracket (Obsolete) | 2 | X | X | X | X | X | X | X |
| 50 | AN3-10A | . Bolt | 2 | X | X | X | X | X | X | X |
| 55 | NAS1149F0332P | . Washer | 2 | X | X | X | X | X | X | X |
| 60 | NAS1149F0316P | . Washer | 4 | X | X | X | X | X | X | X |
| 70 | MS21083N3 | . Nut | 4 | X | X | X | X | X | X | X |
| 70 | AN364-1032A | . Nut (Superseded by MS21083N3) | 4 | X | X | X | X | X | X | X |
| 80 | 28-16234-1 | . Strap Retainer | 2 | X | X | X | X | X | X | X |
| 90 | AN3-16A | . Bolt | 1 | X | X | X | X | X | X | X |
| 120 | 28-16235-11 | . Spacer | 1 | X | X | X | X | X | X | X |
| 120 | 28-16235-1 | . Spacer (Obsolete) | 1 | X | X | X | X | X | X | X |
| 130 | AN4-10A | . Bolt | 2 | X | X | X | X | X | X | X |
| 140 | AN960-416L | . Washer | 4 | X | X | X | X | X | X | X |
| 140 | NAS1149F0432P | . Washer (Alternate to AN960-416L) | 4 | X | X | X | X | X | X | X |
| 150 | AN364-428A | . Nut | 2 | X | X | X | X | X | X | X |
| 150 | MS21083N4 | . Nut (Alternate to AN364-428A) | 2 | X | X | X | X | X | X | X |
| 160 | 1/4 Harper | . Washer | 2 | X | X | X | X | X | X | X |
| 160 | ECD050-11 | . Washer (Alternate to 1/4 Harper) | 3 | X | X | X | X | X | X | X |
| 170 | 28-16203-1 | . Spacer | 1 | X | X | X | X | X | X | X |
| 180 | 28-16233-1 | . Bellcrank Assembly | 1 | X | X | X | X | X | X | X |
| 200 | 28-16258-1 | . Spacer | 1 | X | X | X | X | X | X | X |

UNCONTROLLED COPY WHEN DOWNLOADED OR PRINTED

ENSTROM F-28/280 SERIES ILLUSTRATED PARTS CATALOG

FIGURE 8-11. COLLECTIVE TRIM, SPRING CAPSULE

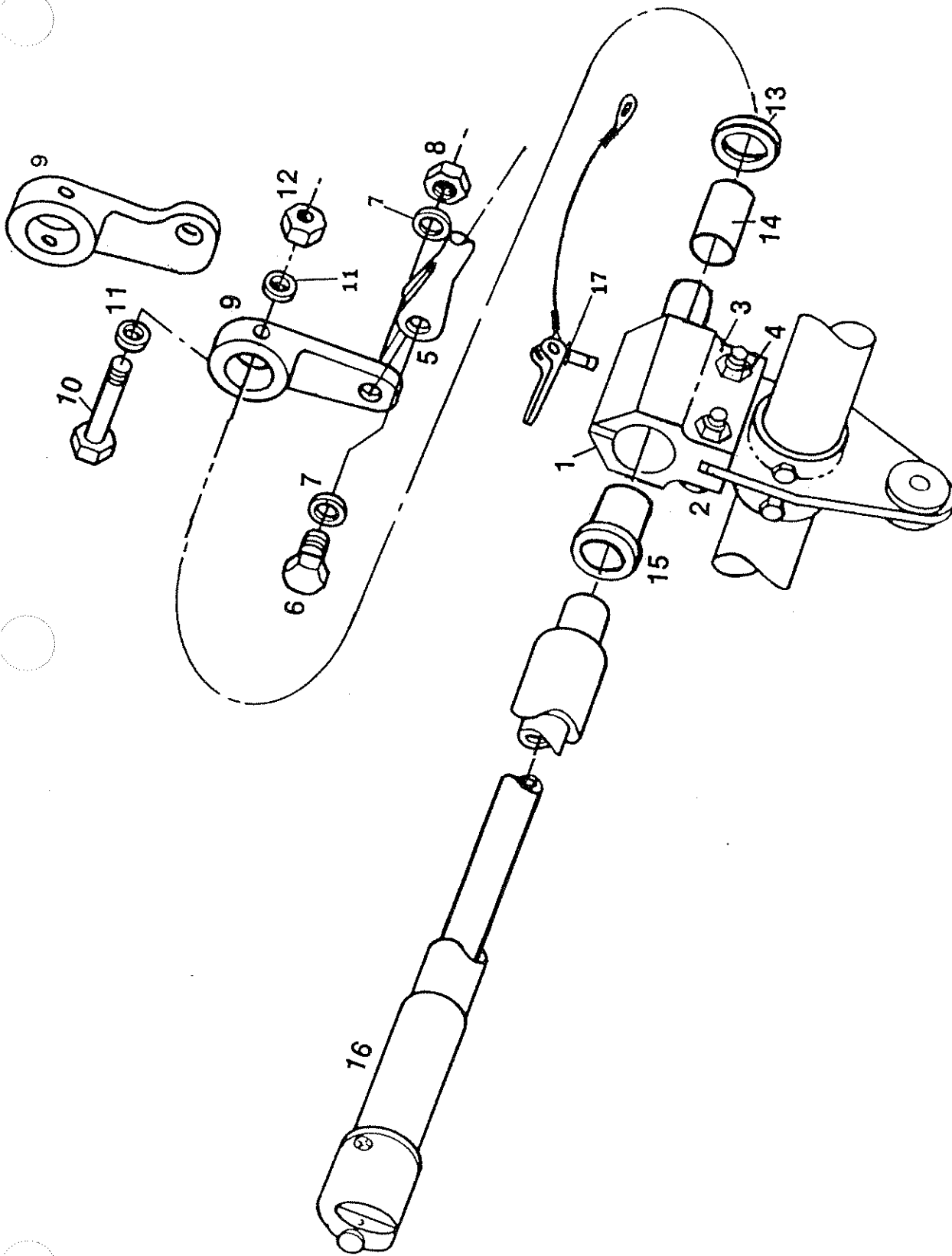
| ITEM NUMBER | PART NUMBER | DESCRIPTION | QTY PER ASSY | MODELS AFFECTED | | | | | | |
|-------------|--------------|--|--------------|-----------------|-----|-------|------|-------|------|-------|
| | | | | F-28A | 280 | F-28C | 280C | F-28F | 280F | 280FX |
| 210 | AN316-4L | . Nut | 1 | X | X | X | X | X | X | X |
| 210A | AN316-4R | . Nut | 1 | X | X | X | X | X | X | X |
| 220†† | 28-16236-17 | . Tie Rod | 1 | X | X | X | X | X | X | X |
| 220▼ | 28-16236-15 | . Tie Rod | 1 | X | X | X | X | X | X | X |
| 220 | 28-16236-1 | . Tie Rod | 1 | X | X | X | X | X | X | X |
| 230†† | 28-16237-13 | . Link | 1 | X | X | X | X | X | X | X |
| 230▼ | 28-16237-11 | . Link | 1 | X | X | X | X | X | X | X |
| 230 | 28-16237-1 | . Link (Obsolete) | 1 | X | X | X | X | X | X | X |
| 240 | 28-16230-1 | . Spring Housing | 1 | X | X | X | X | X | X | X |
| 250 | 28-16229-13 | . Spring | 1 | X | X | X | X | X | X | X |
| 250 | 28-16229-15 | . Spring (Alternate to 28-16229-13) | 1 | X | X | X | X | X | X | X |
| 250 | ECD037-11 | . Spring (Alternate to 28-16229-13) | 1 | X | X | X | X | X | X | X |
| 260A* | 28-162004-11 | . Spring | 1 | X | X | X | X | X | X | X |
| 260* | 28-16222-1 | . Spring | 1 | X | X | X | X | X | X | X |
| 270 | ECD050-15 | . Washer | 1 | X | X | X | X | X | X | X |
| 270 | AN960C1216 | . Washer (Superseded by ECD050-15) | 1 | X | X | X | X | X | X | X |
| 280 | 28-16231-1 | . Spring Retainer | 1 | X | X | X | X | X | X | X |
| 290†† | 28-16238-7 | . Link Assembly | 1 | X | X | X | X | X | X | X |
| 290▼ | 28-16238-5 | . Link Assembly | 1 | X | X | X | X | X | X | X |
| 290 | 28-16238-3 | . Link (Complete) | 1 | X | X | X | X | X | X | X |
| 300 | AN3-22A | . Bolt | 1 | X | X | X | X | X | X | X |
| -310** | 28-16242-901 | . Adjustable Rod Assy Kit | 1 | X | X | X | X | X | X | X |
| -320 | 28-16242-1 | . . Adjustable Rod Assy | 1 | X | X | X | X | X | X | X |
| -330† | 28-16242-907 | . Adjustable Rod Assy Kit | 1 | X | X | X | X | X | X | X |
| -340 | 28-16242-7 | . . Adjustable Rod Assy | 1 | X | X | X | X | X | X | X |
| -350△ | 28-16242-5 | . Adjustable Rod Assy (Superseded by 28-16242-7) | 1 | X | X | X | X | X | X | X |

* Normally not used on aircraft with Correlators.

UNCONTROLLED COPY WHEN DOWNLOADED OR PRINTED

ENSTROM F-28/280 SERIES ILLUSTRATED PARTS CATALOG

- ** Installed in accordance with SIL0184 Revision 2, or later revision. Kit contains preceding items noted with '▼'. When installed, kit P/N 28-16242-901 becomes P/N 28-16242-1.
- † Installed in accordance with SIL0184, or later revision. Kit contains preceding items noted with '††'. When installed, kit P/N 28-16242-907 becomes P/N 28-16242-7.
- △ Interim assembly for F-28F S/N 831 and 832 and 280FX S/N 2148 – 2163. Eligible for upgrade to 28-16242-7 per SIL0184, current revision.
- †† Used with Item –330.
- ▼ Used with Item –310.
- ∞ Used with Item –350.



CO-PILOTS COLLECTIVE ASSEMBLY

FIGURE 8-12

UNCONTROLLED COPY WHEN DOWNLOADED OR PRINTED

Visit www.enstromhelicopter.com for instructions to order an original manual and to register for email notification of updates.



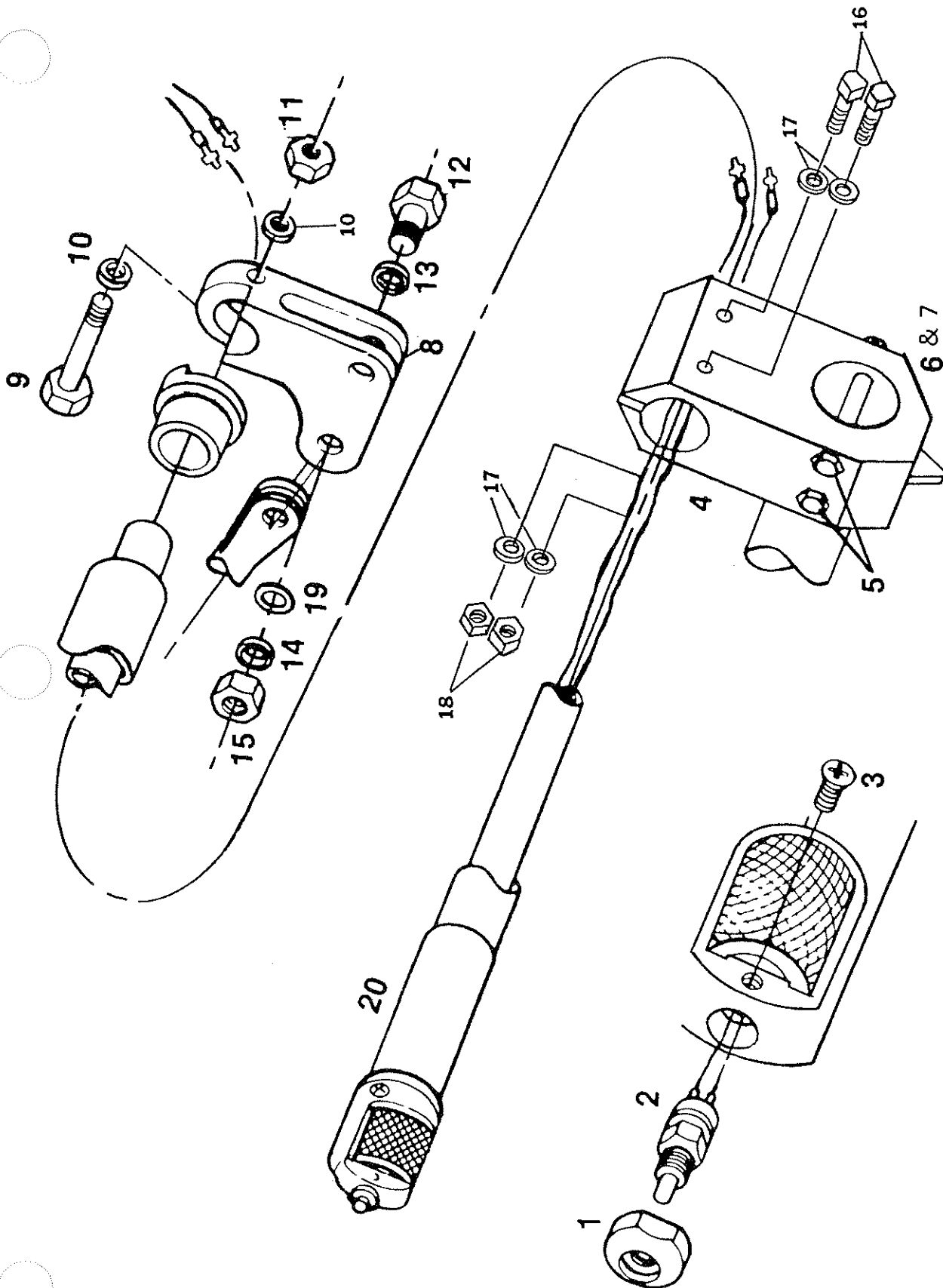
UNCONTROLLED COPY WHEN DOWNLOADED OR PRINTED

Visit www.enstromhelicopter.com for instructions to order an original manual and to register for email notification of updates.



UNCONTROLLED COPY WHEN DOWNLOADED OR PRINTED

Visit www.enstromhelicopter.com for instructions to order an original manual and to register for email notification of updates.



PILOTS COLLECTIVE ASSEMBLY

FIGURE 8-13

UNCONTROLLED COPY WHEN DOWNLOADED OR PRINTED

Visit www.enstromhelicopter.com for instructions to order an original manual and to register for email notification of updates.



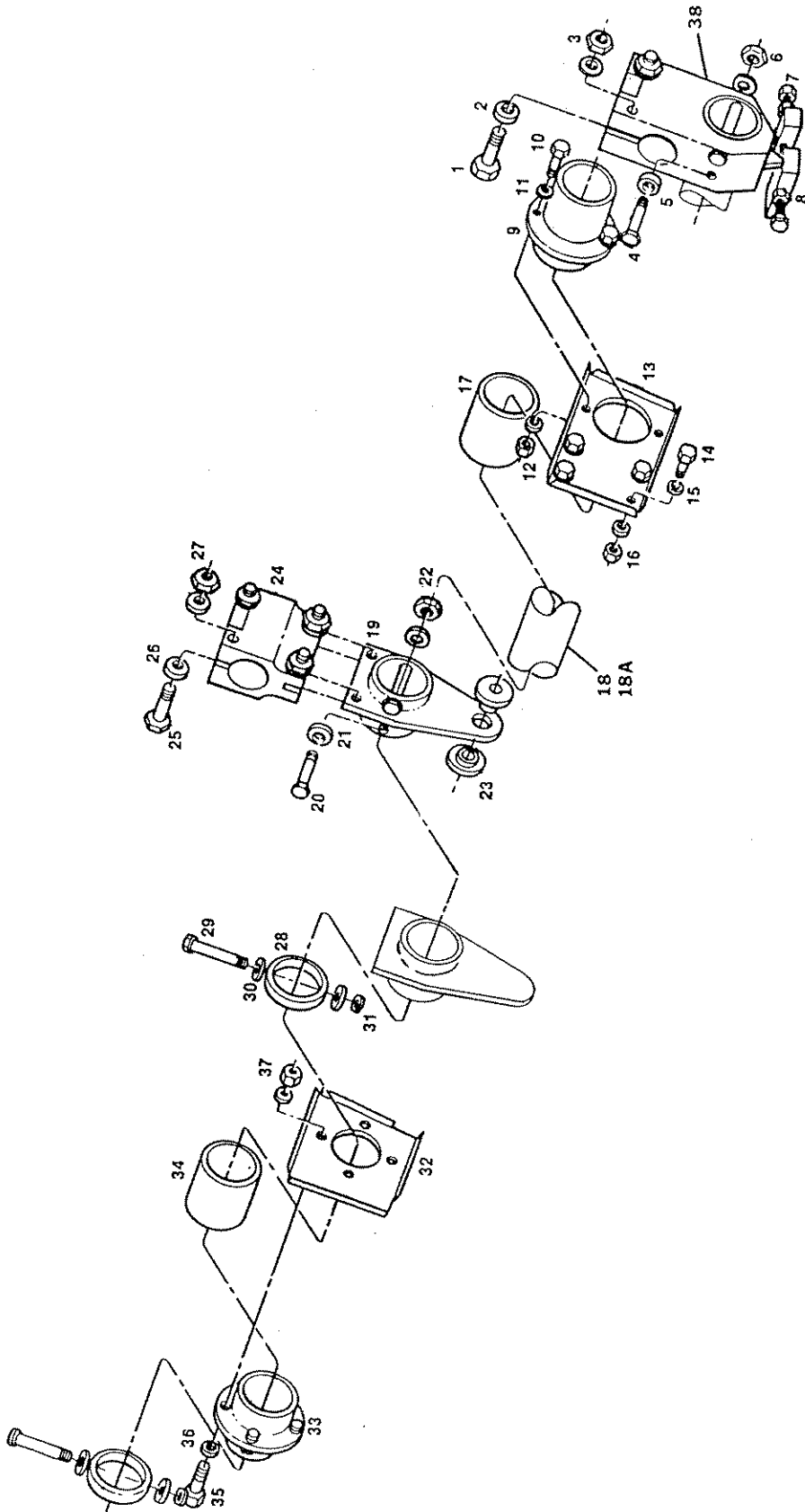
UNCONTROLLED COPY WHEN DOWNLOADED OR PRINTED

Visit www.enstromhelicopter.com for instructions to order an original manual and to register for email notification of updates.



UNCONTROLLED COPY WHEN DOWNLOADED OR PRINTED

Visit www.enstromhelicopter.com for instructions to order an original manual and to register for email notification of updates.



COLLECTIVE CONTROL SYSTEM TORQUE SHAFT ASSEMBLY
FIGURE 8-14

UNCONTROLLED COPY WHEN DOWNLOADED OR PRINTED



UNCONTROLLED COPY WHEN DOWNLOADED OR PRINTED

Visit www.enstromhelicopter.com for instructions to order an original manual and to register for email notification of updates.

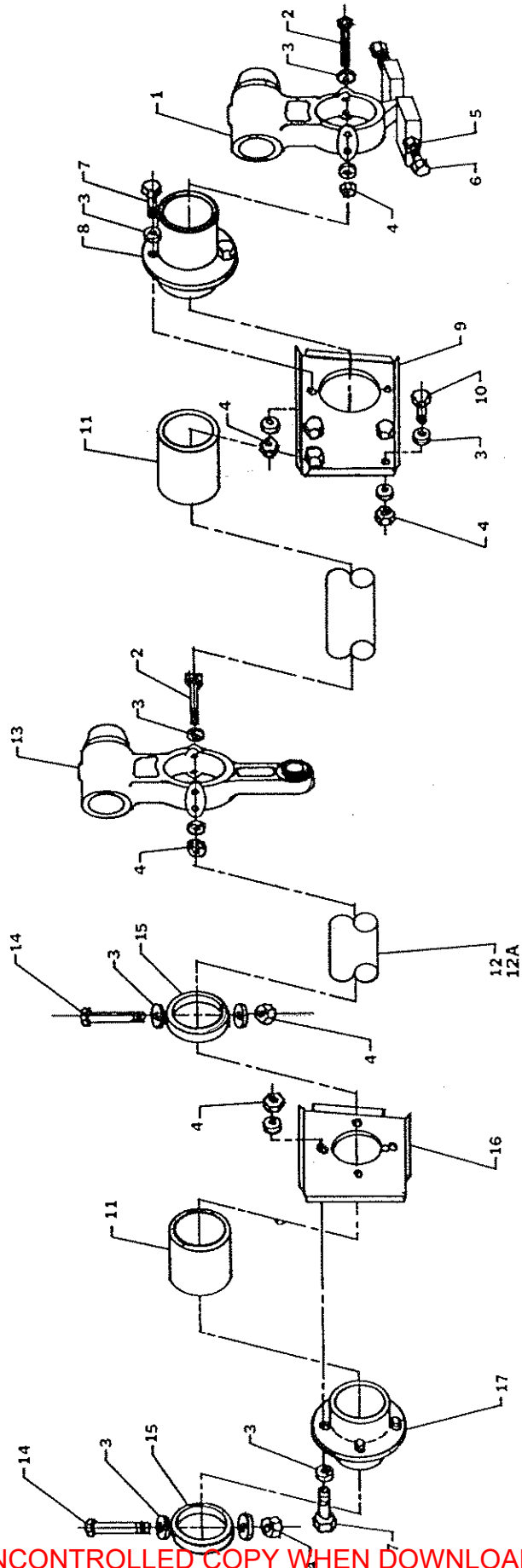
ILLUSTRATED PARTS CATALOG

IPC 8-42

Figure 8-14

| ITEM NUMBER | PART NUMBER | DESCRIPTION | QTY. PER ASSY. | MODELS AFFECTED | | | | | | | | |
|-------------|---------------|---|----------------|-----------------|-----|------|------|------|------|-------|--|--|
| | | | | F28A | 280 | F28C | 280C | F28F | 280F | 280FX | | |
| | | Collective Control System Torque Shaft Assembly | | | | | | | | | | |
| 1 | AN3-16A | Bolt | 2 | X | X | | | | | | | |
| 2 | AN960-10L | Washer | 4 | X | X | | | | | | | |
| 3 | AN364-1032 | Nut | 2 | X | X | | | | | | | |
| 4 | AN3-23A | Bolt | 2 | X | X | | | | | | | |
| 5 | AN960-10L | Washer | 2 | X | X | | | | | | | |
| 6 | AN364-1032 | Nut | 2 | X | X | | | | | | | |
| 7 | 28-16200-4 | Bolt | 1 | X | X | | | | | | | |
| 8 | AN316-4R | Check Nut | 2 | X | X | | | | | | | |
| 9 | 28-16162 | Bearing Housing | 1 | X | X | | | | | | | |
| 10 | AN3-4A | Bolt | 2 | X | X | | | | | | | |
| 11 | AN960-10L | Washer | 4 | X | X | | | | | | | |
| 12 | AN364-1032 | Nut | 2 | X | X | | | | | | | |
| 13 | 28-16216-3 | Bracket | 1 | X | X | | | | | | | |
| 14 | AN3-3A | Bolt | 4 | X | X | | | | | | | |
| 15 | AN960-10L | Washer | 8 | X | X | | | | | | | |
| 16 | AN364-1032 | Nut | 4 | X | X | | | | | | | |
| 17 | 28-DU-24 | Bearing | 1 | X | X | | | | | | | |
| 18 | 28-16204 | Shaft | 1 | X | | | | | | | | |
| 18a | 280-162000-11 | Shaft | 1 | | X | | | | | | | |
| 19 | 28-16181 | Bell Crank | 1 | X | X | | | | | | | |
| 20 | AN3-23A | Bolt | 2 | X | X | | | | | | | |
| 21 | AN960-10L | Washer | 4 | X | X | | | | | | | |
| 22 | AN364-1032 | Nut | 2 | X | X | | | | | | | |
| 23 | 28-16156 | Bearing | 2 | X | X | | | | | | | |
| 24 | 28-16182 | Clamp | 1 | X | X | | | | | | | |
| 25 | AN4-14A | Bolt | 4 | X | X | | | | | | | |
| 26 | AN416 | Washer | 8 | X | X | | | | | | | |
| 27 | AN364-428 | Nut | 4 | X | X | | | | | | | |
| 28 | 28-16214 | Sleeve | 2 | X | X | | | | | | | |
| 29 | AN3-23A | Bolt | 2 | X | X | | | | | | | |

UNCONTROLLED COPY WHEN DOWNLOADED OR PRINTED



COLLECTIVE CONTROL SYSTEM TORQUE SHAFT ASSY.
FIGURE 8-15

UNCONTROLLED COPY WHEN DOWNLOADED OR PRINTED



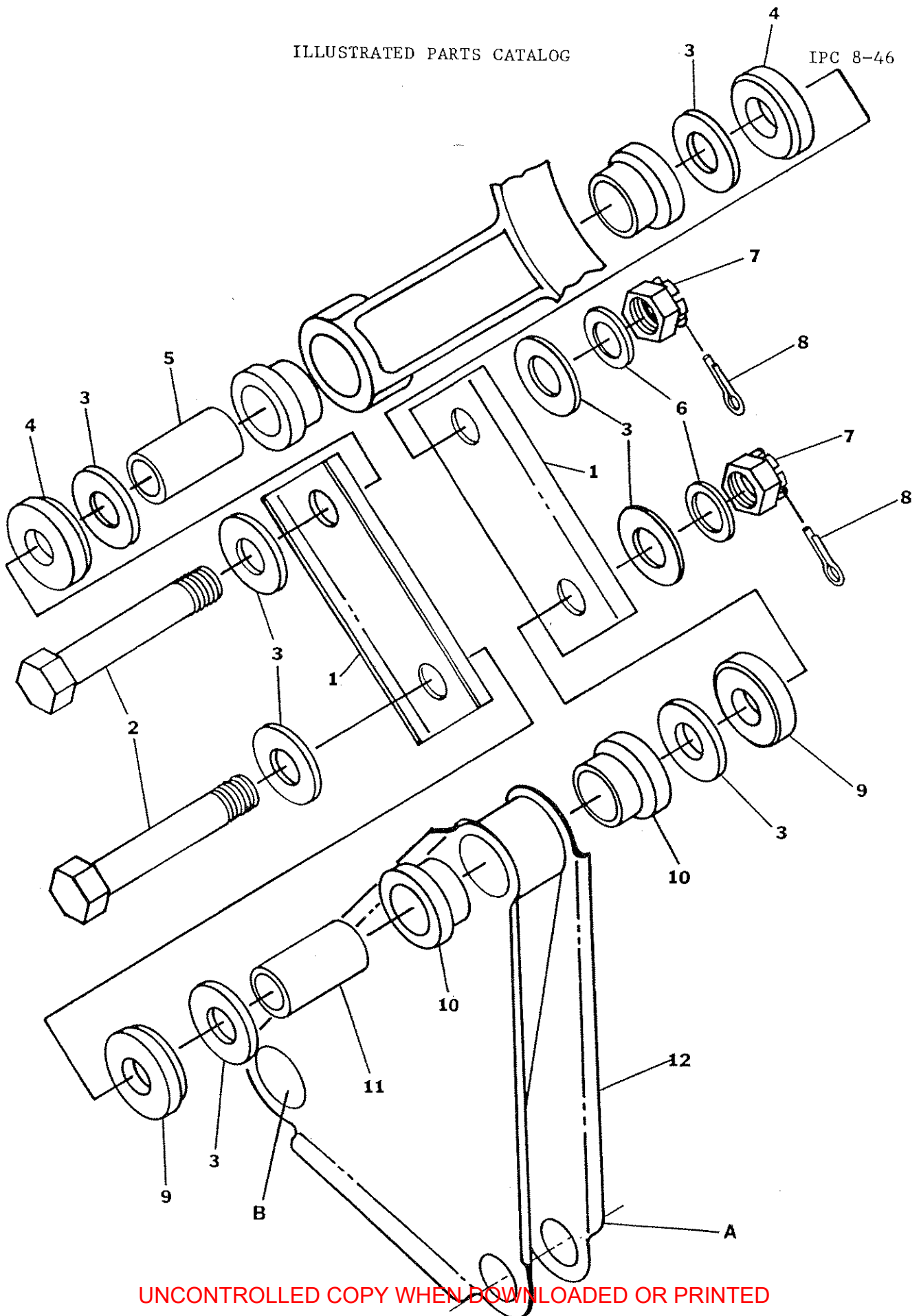
UNCONTROLLED COPY WHEN DOWNLOADED OR PRINTED

Visit www.enstromhelicopter.com for instructions to order an original manual and to register for email notification of updates.



UNCONTROLLED COPY WHEN DOWNLOADED OR PRINTED

Visit www.enstromhelicopter.com for instructions to order an original manual and to register for email notification of updates.



UNCONTROLLED COPY WHEN DOWNLOADED OR PRINTED

Visit www.enstromhelicopter.com for instructions to order an original manual and to register for email notification of updates.

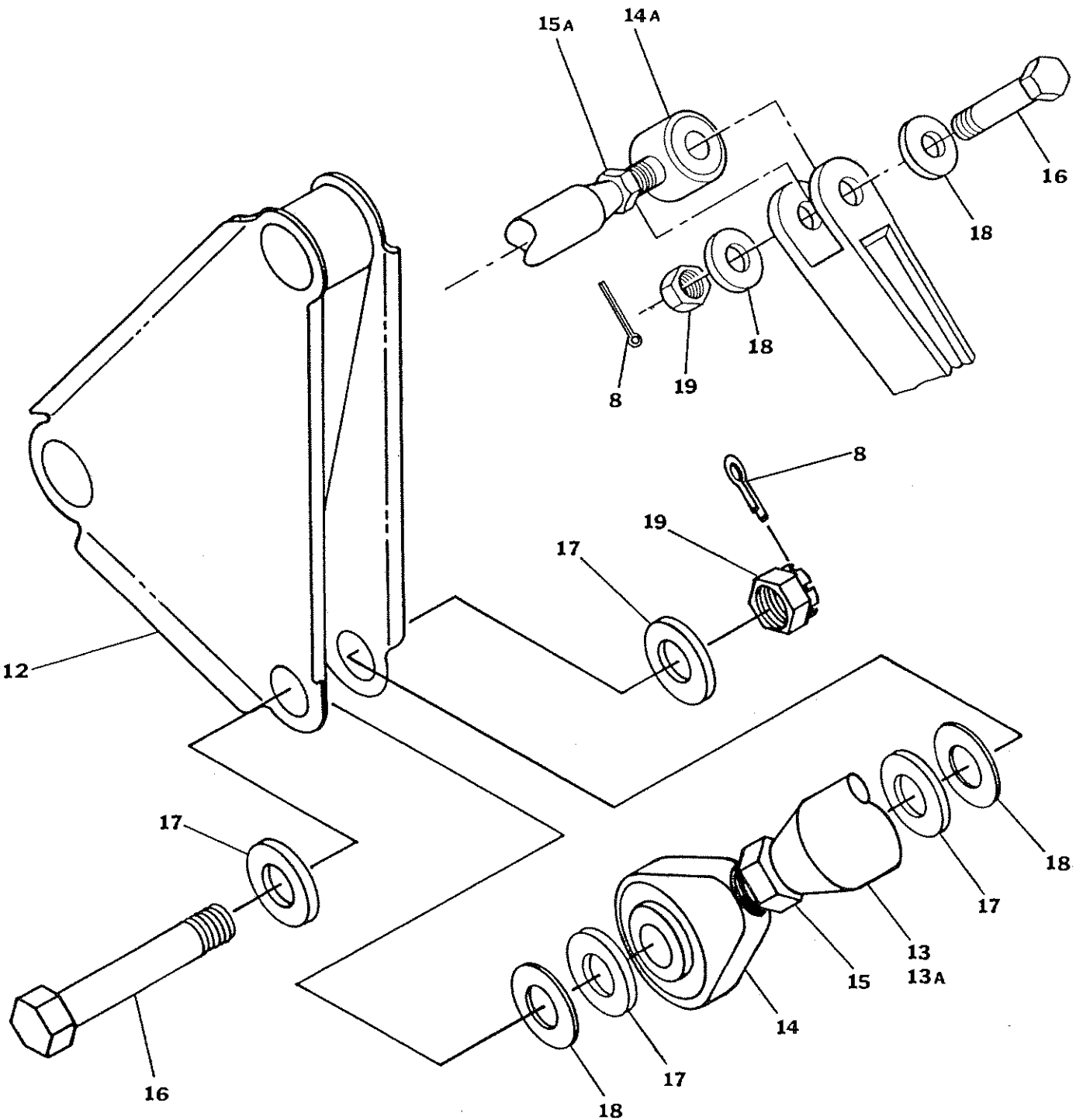
COLLECTIVE CONTROL REVERSING BELLCRANK

FIGURE 8-16



UNCONTROLLED COPY WHEN DOWNLOADED OR PRINTED

Visit www.enstromhelicopter.com for instructions to order an original manual and to register for email notification of updates.



COLLECTIVE CONTROL PUSH-PULL ROD ATTACHMENT

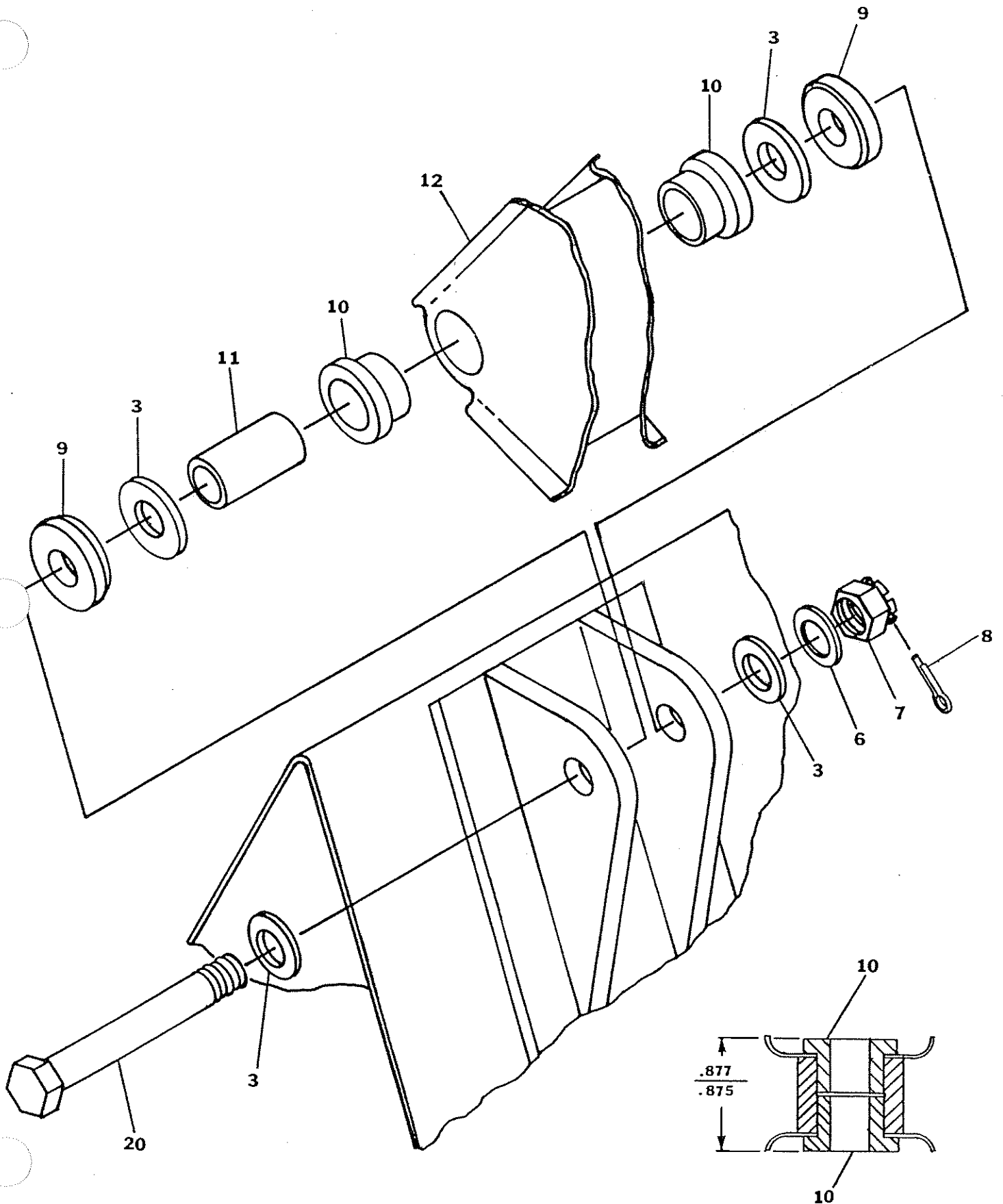
FIGURE 8-16A

UNCONTROLLED COPY WHEN DOWNLOADED OR PRINTED



UNCONTROLLED COPY WHEN DOWNLOADED OR PRINTED

Visit www.enstromhelicopter.com for instructions to order an original manual and to register for email notification of updates.



COLLECTIVE REVERSING BELLCRANK PIVOT

FIGURE 8-16B



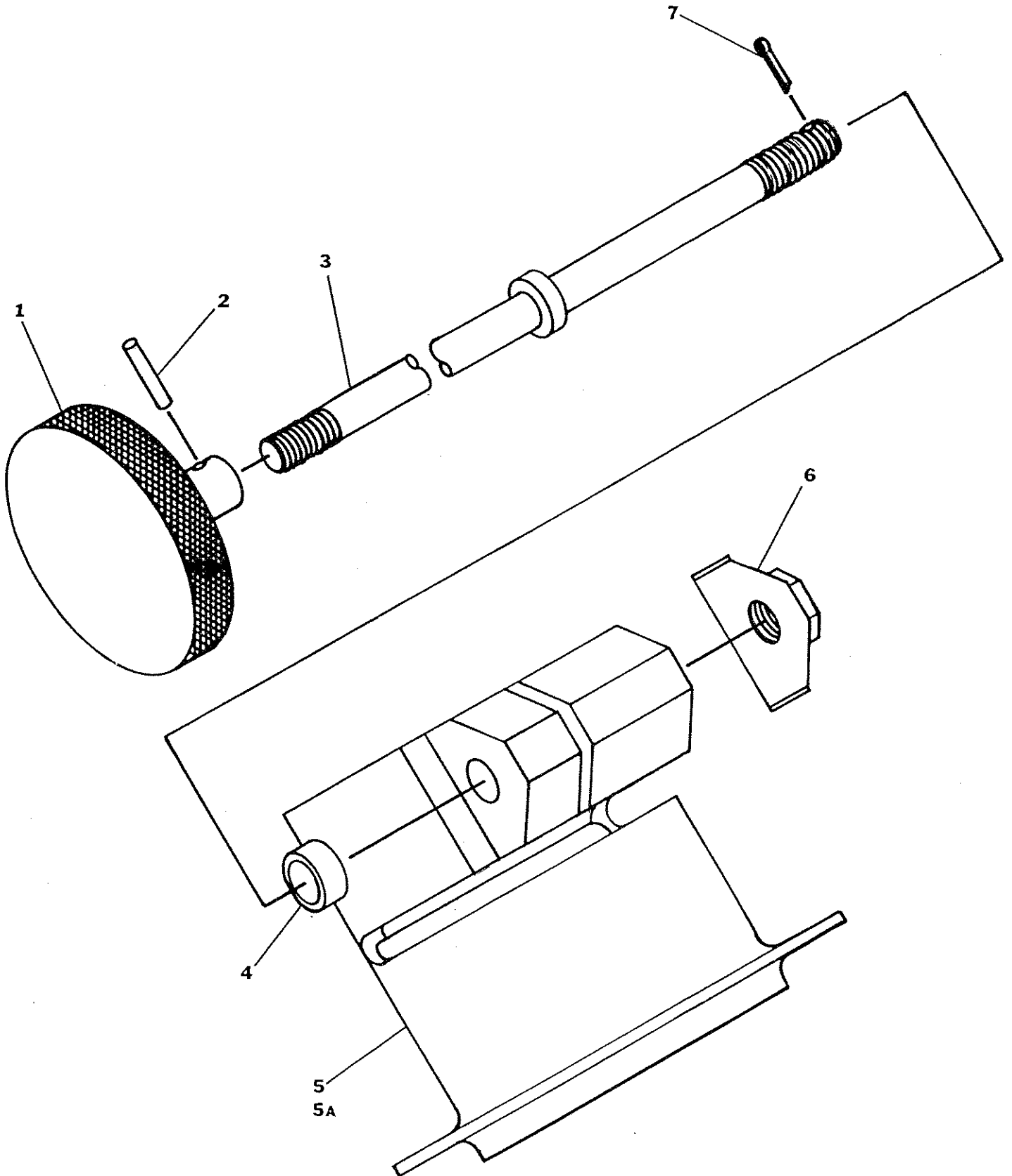
UNCONTROLLED COPY WHEN DOWNLOADED OR PRINTED

Visit www.enstromhelicopter.com for instructions to order an original manual and to register for email notification of updates.



UNCONTROLLED COPY WHEN DOWNLOADED OR PRINTED

Visit www.enstromhelicopter.com for instructions to order an original manual and to register for email notification of updates.



UNCONTROLLED COPY WHEN DOWNLOADED OR PRINTED

Visit www.enstromhelicopter.com for instructions to order an English manual and to register for email notification of updates.

FIGURE 8-17



UNCONTROLLED COPY WHEN DOWNLOADED OR PRINTED

Visit www.enstromhelicopter.com for instructions to order an original manual and to register for email notification of updates.



UNCONTROLLED COPY WHEN DOWNLOADED OR PRINTED

Visit www.enstromhelicopter.com for instructions to order an original manual and to register for email notification of updates.

ENSTROM F-28/280 SERIES ILLUSTRATED PARTS CATALOG

SECTION 9

FURNISHINGS

TABLE OF CONTENTS

| | | |
|---------------------|--|------|
| | Cover Page | 9-1 |
| | Table of Contents | 9-1 |
| 9-1 | Cabin Seat Assembly | 9-2 |
| 9-2 | Cabin Furnishings (Non-Production Models) | 9-5 |
| 9-3 | Cabin Furnishings and Fire Extinguisher | 9-8 |
| 9-4 | 280F/FX Cabin Furnishings | 9-13 |
| 9-5 | Cabin Furnishings – Passenger Restraint System | 9-18 |

UNCONTROLLED COPY WHEN DOWNLOADED OR PRINTED

ENSTROM F-28/280 SERIES ILLUSTRATED PARTS CATALOG

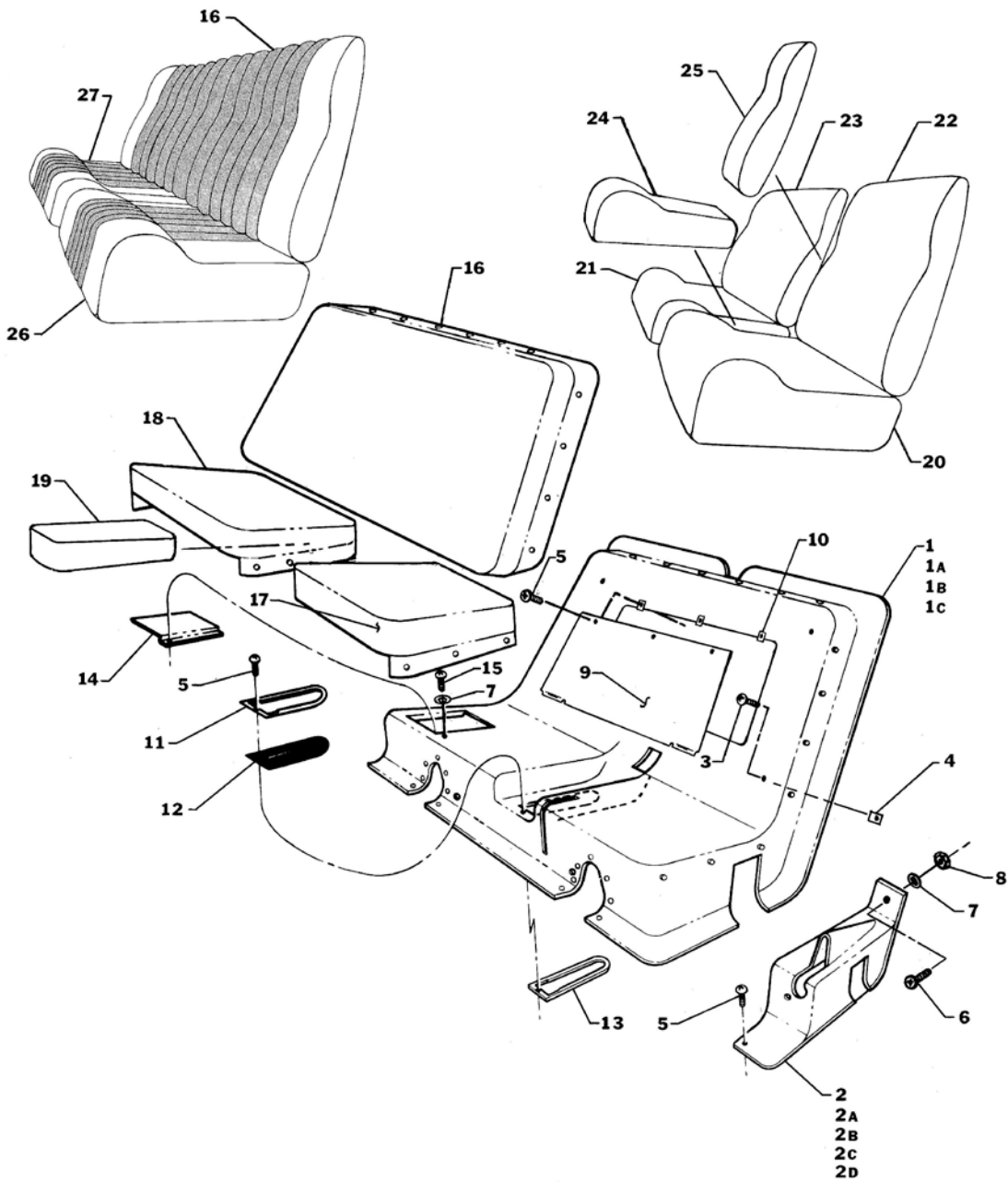


FIGURE 9-1. CABIN SEAT ASSEMBLY

ENSTROM F-28/280 SERIES ILLUSTRATED PARTS CATALOG

FIGURE 9-1. CABIN SEAT ASSEMBLY

| ITEM NUMBER | PART NUMBER | DESCRIPTION | QTY PER ASSY | MODELS AFFECTED | | | | | | |
|-------------|--------------|--|--------------|-----------------|-----|-------|------|-------|------|-------|
| | | | | F-28A | 280 | F-28C | 280C | F-28F | 280F | 280FX |
| 1 | 28-11303-1 | Seat Structure Cover | 1 | X | | X | | | | |
| 1A | 28-11303-5 | Seat Structure Cover | 1 | | | | | X | | |
| 1B | 280-113033-1 | Seat Structure Cover | 1 | | X | | X | | | |
| 1C | 280-113033-3 | Seat Structure Cover | 1 | | | | | | X | X |
| 2 | 28-113040-11 | Collective Shroud | 1 | X | | X | | | | |
| 2A | 28-113040-13 | Collective Shroud | 1 | | X | | X | | | |
| 2BΔ | 28-16070-103 | Collective Shroud Assembly (See Figure 9-4) | REF | | | | | | | X |
| 2B | 28-16070-101 | Collective Shroud Assembly (S/S by 28-16070-103, See Figure 9-4) | REF | | | | | | | X |
| 2B* | 28-16070-7 | Collective Shroud Assembly (S/S by 28-16070-101, See Figure 9-4) | 1 | | | | X | | X | X |
| 2C | 28-16070-9 | Collective Shroud Assembly (See Figure 9-3) | 1 | | | | | X | | |
| 2C** | 28-16070-5 | Collective Shroud Assembly (S/S by 28-16070-9, See Figure 9-3) | 1 | | | X | | X | | |
| 2D*** | 28-16099-1 | Collective Shroud | 1 | | | | | X | | |
| 3 | AN530-8R8 | Screw | 5 | X | X | X | X | X | X | X |
| 4 | A1787-8Z-1 | Nut - Tinnerman | 5 | X | X | X | X | X | X | X |
| 5 | 6x1/2 | Screw Truss Head | AR | X | X | X | X | X | X | X |
| 6 | AN526-832R8 | Screw | AR | X | X | X | X | X | X | X |
| 7 | AN960-8L | Washer | AR | X | X | X | X | X | X | X |
| 8 | AN340-8 | Nut | 1 | X | X | X | X | | | |
| 9 | 28-113042-11 | Access Door | 1 | X | X | X | X | X | X | X |
| 10 | A1784-6Z-1 | Nut - Tinnerman | 3 | X | X | X | X | X | X | X |
| 11 | 28-11430-1 | Plate - Seat | 1 | X | X | X | X | X | X | X |
| 12 | 28-11303-4 | Boot - Neoprene | 1 | X | X | X | X | X | X | X |
| 13 | 28-11431-1 | Doubler | 1 | X | X | X | X | X | X | X |
| 14 | 28-113069-1 | Access Plate | 1 | X | X | X | X | X | X | X |
| 15 | 8x1/2 | Screw - Truss Head | 2 | X | X | X | X | X | X | X |
| 16● | 28-11600-5 | Back Cushion | 1 | X | X | X | X | X | X | |
| 17● | 28-11600-3 | Pilot Seat Cushion | 1 | X | X | X | X | X | X | |

ENSTROM F-28/280 SERIES ILLUSTRATED PARTS CATALOG

FIGURE 9-1. CABIN SEAT ASSEMBLY

| ITEM NUMBER | PART NUMBER | DESCRIPTION | QTY PER ASSY | MODELS AFFECTED | | | | | | |
|-------------|-------------|-----------------------|--------------|-----------------|-----|-------|------|-------|------|-------|
| | | | | F-28A | 280 | F-28C | 280C | F-28F | 280F | 280FX |
| 18● | 28-11600-4 | Co-Pilot Seat Cushion | 1 | X | X | X | X | X | X | |
| 19● | 28-11600-8 | Center Cushion | 1 | X | X | X | X | X | X | |
| 20 | 28-116004-3 | Pilot Seat Cushion | 1 | | | | | X | | X |
| 21 | 28-116005-1 | Copilot Seat Cushion | 1 | | | | | X | | X |
| 22 | 28-116006-1 | Pilot Back Cushion | 1 | | | | | X | | X |
| 23 | 28-116007-1 | Co-Pilot Back Cushion | 1 | | | | | X | | X |
| 24 | 28-116008-1 | Center Seat Cushion | 1 | | | | | X | | X |
| 25 | 28-116009-1 | Center Back Cushion | 1 | | | | | X | | X |
| 26 | 28-11600-20 | Pilot Seat Cushion | 1 | X | X | X | X | X | X | |
| 27 | 28-11600-21 | Co-Pilot Seat Cushion | 1 | X | X | X | X | X | X | |

* With Correlator installation.

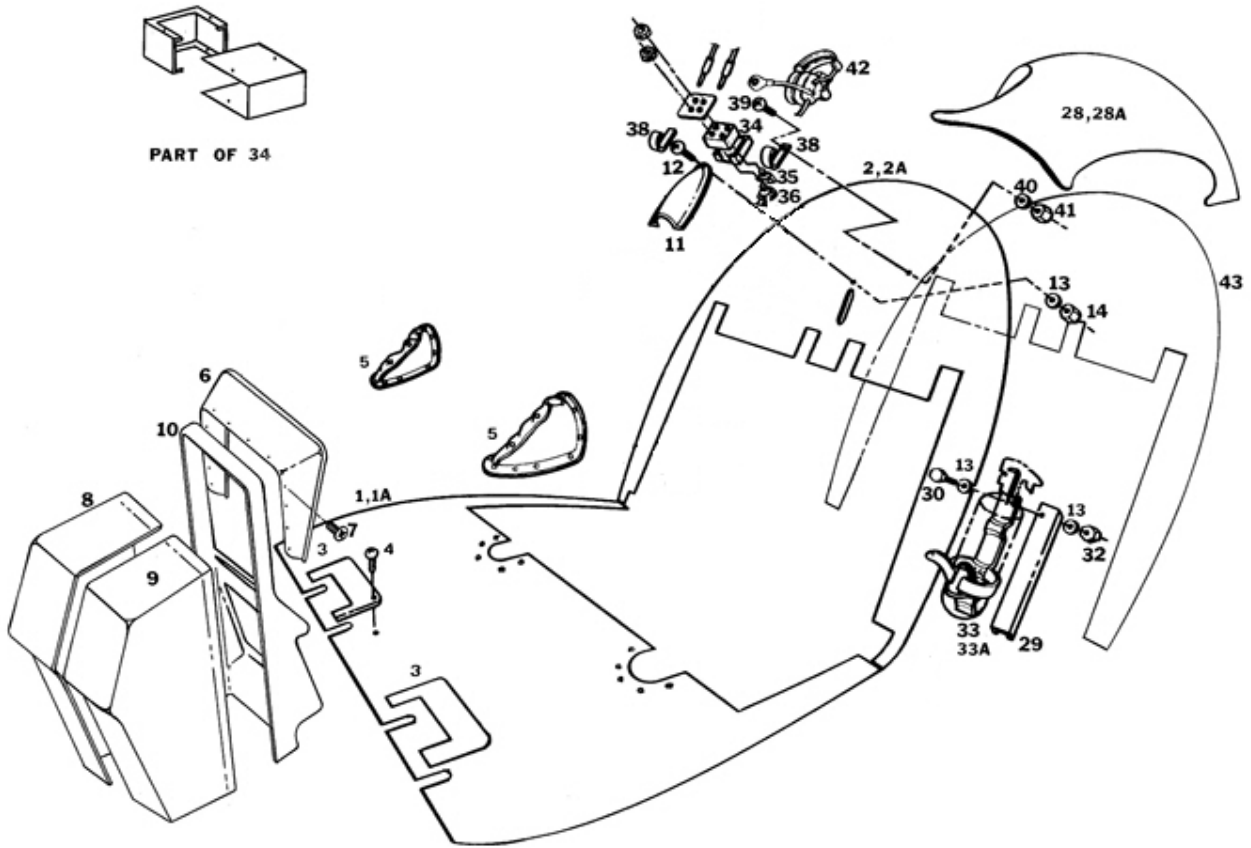
** Later F Models.

*** Early F-28F Models.

● Obsolete

Δ S/N 2167 and subsequent.

ENSTROM F-28/280 SERIES ILLUSTRATED PARTS CATALOG



F-28A/C: All S/N

280/C: All S/N

NOTE: Refer to Figure 9-5 for restraint system parts.

FIGURE 9-2. CABIN FURNISHINGS (NON-PRODUCTION MODELS)

ENSTROM F-28/280 SERIES ILLUSTRATED PARTS CATALOG

FIGURE 9-2. CABIN FURNISHINGS (NON-PRODUCTION MODELS)

| ITEM NUMBER | PART NUMBER | DESCRIPTION | QTY PER ASSY | MODELS AFFECTED | | | | | | |
|-------------|---------------|--|--------------|-----------------|-----|-------|------|-------|------|-------|
| | | | | F-28A | 280 | F-28C | 280C | F-28F | 280F | 280FX |
| 1 | 28-11600-13 | . Carpet | 1 | | X | | X | | | |
| 1A | 28-11600-7 | . Carpet | 1 | X | | X | | | | |
| 2 | 28-11600-17 | . Back Padding | 1 | | X | | X | | | |
| 2A | 28-11600-6 | . Back Padding | 1 | X | | X | | | | |
| 3 | 28-11603-1 | . Scuff Plate | 2 | X | X | X | X | | | |
| 4 | 6x1/2 | . . Screw Truss Head | 12 | X | X | X | X | | | |
| 5 | 28-11395-1 | . Cyclic Boots | 2 | X | X | X | X | | | |
| 6 | 280-180006-1 | . Console Hood Assembly | 1 | | X | X | X | | | |
| 7 | 8x3/4 | . . Screw Truss Head | 20 | X | X | X | X | | | |
| 8 | 280-180001-12 | . Console Side Cover RH | 1 | X | X | X | X | | | |
| 9 | 280-180001-11 | . Console Side Cover LH | 1 | X | X | X | X | | | |
| 10 | 280-180001-13 | . Console Front Cover | 1 | X | X | X | X | | | |
| 11 | 28-11404-1 | . Collective Housing | 1 | X | X | X | X | | | |
| 12 | AN526-832R8 | . . Screw | 3 | X | X | X | X | | | |
| 13 | AN960-8L | . . Washer | 11 | X | X | X | X | | | |
| 14 | AN340-8 | . . Nut | 3 | X | X | X | X | | | |
| 28 | 28-11600-19 | . Headliner | 1 | | X | | X | | | |
| 28A | 28-11600-9 | . Headliner | 1 | X | | X | | | | |
| 29 | 28-22101-1 | . Backing Plate | 1 | X | X | X | X | | | |
| 30* | AN525-832R10 | . . Screw | 4 | X | X | X | X | | | |
| 32* | AN364-832A | . . Nut | 4 | X | X | X | X | | | |
| 33 | SY-0211 | . Fire Extinguisher | 1 | X | X | X | X | | | |
| 33A** | C352TS | . Fire Extinguisher | 1 | X | X | X | X | | | |
| 33A* | GH2 1/2 | . Fire Extinguisher (Superseded by C352TS) | 1 | X | X | X | X | | | |

ENSTROM F-28/280 SERIES ILLUSTRATED PARTS CATALOG

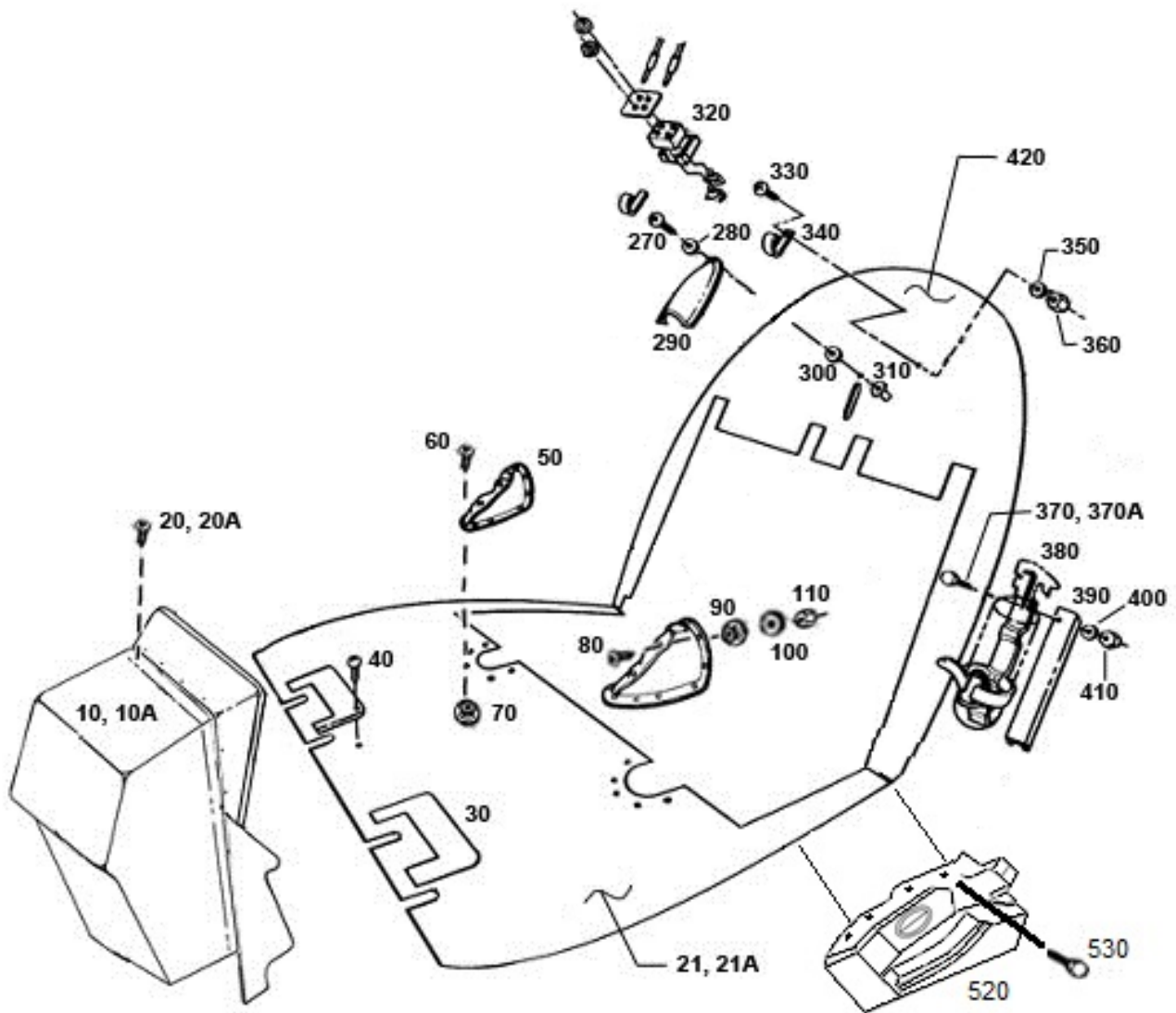
FIGURE 9-2. CABIN FURNISHINGS (NON-PRODUCTION MODELS)

| ITEM NUMBER | PART NUMBER | DESCRIPTION | QTY PER ASSY | MODELS AFFECTED | | | | | | |
|-------------|--------------|------------------------|--------------|-----------------|-----|-------|------|-------|------|-------|
| | | | | F-28A | 280 | F-28C | 280C | F-28F | 280F | 280FX |
| 34 | 28-22199-1 | . Jack Box Assembly | 1 | X | X | X | X | | | |
| 35 | 12B | . 1/4" Jack | 2 | X | X | X | X | | | |
| 36 | S-12B | . 3/16" Jack | 2 | X | X | X | X | | | |
| 37 | 28-22117-3 | . Jack Box Retainer | 1 | X | X | X | X | | | |
| 38 | 28-22102-1 | . Headset Hook | 2 | X | X | X | X | | | |
| 39 | AN526-632R10 | . . Screw | 4 | X | X | X | X | | | |
| 40 | AN960-6L | . . Washer | 4 | X | X | X | X | | | |
| 41 | AN364-632A | . . Nut | 4 | X | X | X | X | | | |
| 42 | MRB-2400 | . Headset | AR | X | X | X | X | | | |
| 43 | 28-11504-1 | . Soundproofing Instl. | AR | X | X | X | X | | | |

* Preferred fire extinguisher double mounting hardware

** Effectivity F-28F S/N 831 and 280FX S/N 2146.

ENSTROM F-28/280 SERIES ILLUSTRATED PARTS CATALOG

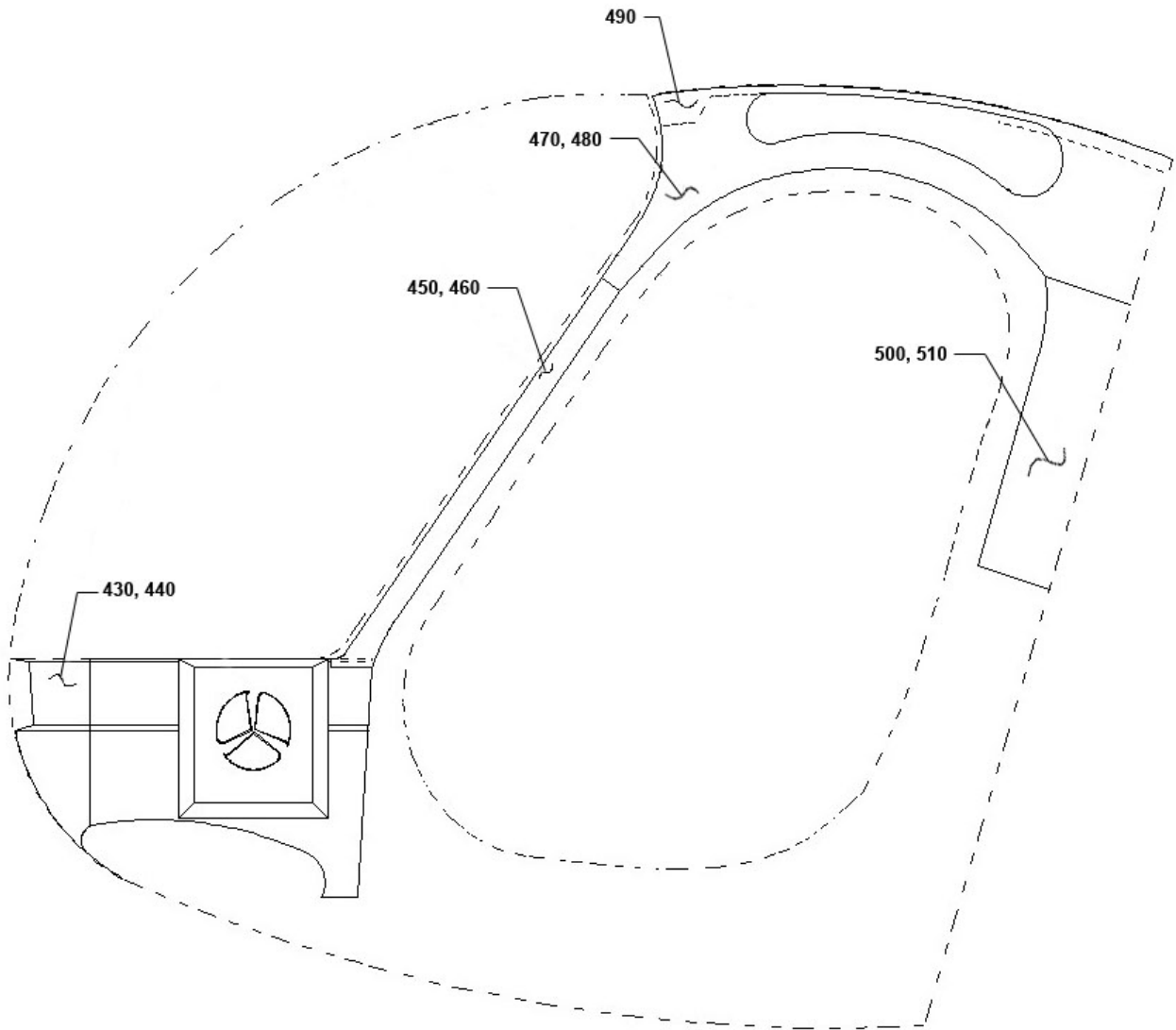


F-28A/C/F/280/C/F/FX (where noted): All S/N
NOTE: Refer to Figure 9-5 for restraint system parts.

Sheet 1 of 2

FIGURE 9-3. CABIN FURNISHINGS AND FIRE EXTINGUISHER

ENSTROM F-28/280 SERIES ILLUSTRATED PARTS CATALOG



I

F-28A/C/F/280/C/F/FX (where noted): All S/N

Sheet 2 of 2

FIGURE 9-3. CABIN FURNISHINGS AND FIRE EXTINGUISHER

ENSTROM F-28/280 SERIES ILLUSTRATED PARTS CATALOG

FIGURE 9-3. CABIN FURNISHINGS AND FIRE EXTINGUISHER

| ITEM NUMBER | PART NUMBER | DESCRIPTION | QTY PER ASSY | MODELS AFFECTED | | | | | | |
|-------------|--------------|---|--------------|-----------------|-----|-------|------|-------|------|-------|
| | | | | F-28A | 280 | F-28C | 280C | F-28F | 280F | 280FX |
| - | 28-11626 | Interior and Trim Instal. F-28F | REF | | | | | X | | |
| 10 | 28-18166-1 | . Hood Console Assy. (Wide) | 1 | | | | | X | | |
| - | 28-18158-1 | . . Hood Assy. (Wide) | 1 | | | | | X | | |
| - | 28-18159-11 | . . Instrument Face Panel (Wide) | 1 | | | | | X | | |
| - | 28-18161-11 | . . Radio/Switch Panel (Wide) | 1 | | | | | X | | |
| - ΔΔ | 28-18162-17 | . . Side Panel (L.H.) | 1 | | | | | X | | |
| - | 28-18162-15 | . . Side Panel (L.H.) (Alternate, 3.50 in. wide cutout) | 1 | | | | | X | | |
| - | 28-18162-13 | . . Side Panel (L.H.) (Alternate, 2.50 in. wide cutout) | 1 | | | | | X | | |
| - | 28-18162-14 | . . Side Panel (R.H.) | 1 | | | | | X | | |
| - | 28-18164-5 | . . Glare Shield Assy. (Wide) | 1 | | | | | X | | |
| 20 | 8x3/8 | . . PK Screw | 21 | | | | | X | | |
| - | AN6195-8Z-1D | . . Tinnerman Nut | 7 | | | | | X | | |
| - | MS20426A3-4 | . . Rivet | 14 | | | | | X | | |
| 10A | 28-1866-5 | . | | | | | | | | |
| 10A | 28-18166-3 | . Hood Console Assy. (Narrow) | 1 | | | | | X | | |
| - | 28-18158-3 | . . Hood Assy. (Narrow) | 1 | | | | | X | | |
| - | 28-18159-13 | . . Instrument Face Panel (Narrow) | 1 | | | | | X | | |
| - | 28-18161-15 | . . Radio/Switch Panel (Narrow) | 1 | | | | | X | | |
| - | 28-18162-13 | . . Side Panel (L.H.) | 1 | | | | | X | | |
| - | 28-18162-14- | . . Side Panel (R.H.) | 1 | | | | | X | | |
| - | 28-18164-3 | . . Glare Shield Assy. (Narrow) | 1 | | | | | X | | |
| 20A | 8x3/8 | . . PK Screw | 21 | | | | | X | | |
| - | AN6195-8Z-1D | . . Tinnerman Nut | 7 | | | | | X | | |
| - | MS20426A3-4 | . . Rivet | 14 | | | | | X | | |
| 21 | 28-11622-13 | . Carpet Floor | 1 | | | | | X | | |
| 21A | 28-11622-17 | . Vinyl Floor (Alternate) | 1 | | | | | X | | |
| 30* | 28-11608-13 | . Scuff Plate | 2 | | | | | X | | |

ENSTROM F-28/280 SERIES ILLUSTRATED PARTS CATALOG

FIGURE 9-3. CABIN FURNISHINGS AND FIRE EXTINGUISHER

| ITEM NUMBER | PART NUMBER | DESCRIPTION | QTY PER ASSY | MODELS AFFECTED | | | | | | |
|-------------|--------------|---|--------------|-----------------|-----|-------|------|-------|------|-------|
| | | | | F-28A | 280 | F-28C | 280C | F-28F | 280F | 280FX |
| 30 | 28-11608-11 | . Scuff Plate (Superseded by 28-11608-13) | 2 | | | | | X | | |
| 40 | AN530-6-8 | . Screw | 10 | | | | | X | | |
| 50 | 28-11395-1 | . Cyclic Boot | 2 | | | | | X | | |
| 60 | AN531-6R8 | . Screw | 10 | | | | | X | | |
| 70 | 550 | . Stud | 10 | | | | | X | | |
| 80 | MS24693S26 | . Screw | 10 | | | | | X | | |
| 90 | 550 | . Stud | 10 | | | | | X | | |
| 100 | AN960-6L | . Washer | 10 | | | | | X | | |
| 110 | AN365-632A | . Nut | 10 | | | | | X | | |
| 270 | AN526-832R8 | . Screw | 3 | | | | | X | | |
| 280 | AN960-8L | . Washer | 3 | | | | | X | | |
| 290 | 28-11404-13 | . Collective Push Pull Rod Cover | 1 | | | | | X | | |
| 300 | AN936A8 | . Lock Washer | 3 | | | | | X | | |
| 310 | S8P270 | . Plus Nut | 3 | | | | | X | | |
| 320** | 28-22117 | . Audio Jack Box Assy. | 1 | | | | | X | | X |
| 330 | AN526-8R8 | . . Screw | 3 | | | | | X | | X |
| 340 | 4115001-19 | . . Headset Hook | 3 | | | | | X | | X |
| 350 | AN960-8L | . . Washer | 3 | | | | | X | | X |
| 360 | AN364-832 | . . Nut | 3 | | | | | X | | X |
| - | 280-221001 | . Fire Extinguisher Installation | REF | X | X | X | X | X | X | X |
| 370 | AN525-832R10 | . . Screw | 4 | X | X | X | X | X | X | X |
| 370A● | AN525-832R14 | . . Screw | 4 | X | X | X | X | X | X | X |
| 380 | C352TS | . . Extinguisher | 1 | X | X | X | X | X | X | X |
| 390 | 28-22101 | . . Backing Plate | 1 | X | X | X | X | X | X | X |
| 400 | AN960-8L | . . Washer | 4 | X | X | X | X | X | X | X |
| 410 | AN364-832A | . . Nut | 4 | X | X | X | X | X | X | X |

ENSTROM F-28/280 SERIES ILLUSTRATED PARTS CATALOG

FIGURE 9-3. CABIN FURNISHINGS AND FIRE EXTINGUISHER

| ITEM NUMBER | PART NUMBER | DESCRIPTION | QTY PER ASSY | MODELS AFFECTED | | | | | | |
|-------------|-------------|--|--------------|-----------------|-----|-------|------|-------|------|-------|
| | | | | F-28A | 280 | F-28C | 280C | F-28F | 280F | 280FX |
| 420 | 28-11625-13 | . Backwall Upholstery | 1 | | | | | X | | |
| —●● | 28-11610-5 | . Interior Panel Installation | 1 | | | | | X | | |
| — | 28-11610-3 | . Interior Panel Installation | 1 | | | | | X | | |
| 430 | 28-11611-2 | . . Panel (R.H.) | 1 | | | | | X | | |
| 440 | 28-11611-1 | . . Panel (L.H.) | 1 | | | | | X | | |
| — | 28-11612-11 | . . Center Panel | 1 | | | | | X | | |
| 450 | 28-11613-12 | . . Strip (R.H.) | 1 | | | | | X | | |
| 460 | 28-11613-11 | . . Strip (L.H.) | 1 | | | | | X | | |
| 470 | 28-11614-12 | . . Overhead Panel (R.H.) | 1 | | | | | X | | |
| 480 | 28-11614-11 | . . Overhead Panel (L.H.) | 1 | | | | | X | | |
| 490●● | 28-11615-15 | . . Center Overhead Panel | 1 | | | | | X | | |
| 490 | 28-11615-13 | . . Center Overhead Panel | 1 | | | | | X | | |
| 500 | 28-11618-12 | . . Side Strip (R.H.) | 1 | | | | | X | | |
| 510 | 28-11618-11 | . . Side Strip (L.H.) | 1 | | | | | X | | |
| — | 28-16069-5 | . Collective Shroud Installation | 1 | | | | | X | | |
| 520 | 28-16070-5 | . Collective Shroud Assembly (S/S by 28-16070-9) | 1 | | | | | X | | |
| 520Δ | 28-16070-9 | . Collective Shroud Assembly | 1 | | | | | X | | |
| 530 | AN530-8R8 | . . Screw | 4 | | | | | X | | |
| — | 8x1/2 | . . Screw | 1 | | | | | X | | |

* Effectivity F-28F S/N 819 and subsequent. Retrofittable to S/N 509 and subsequent.

** The dash number for this item is ship specific. Contact Enstrom customer service for replacement parts.

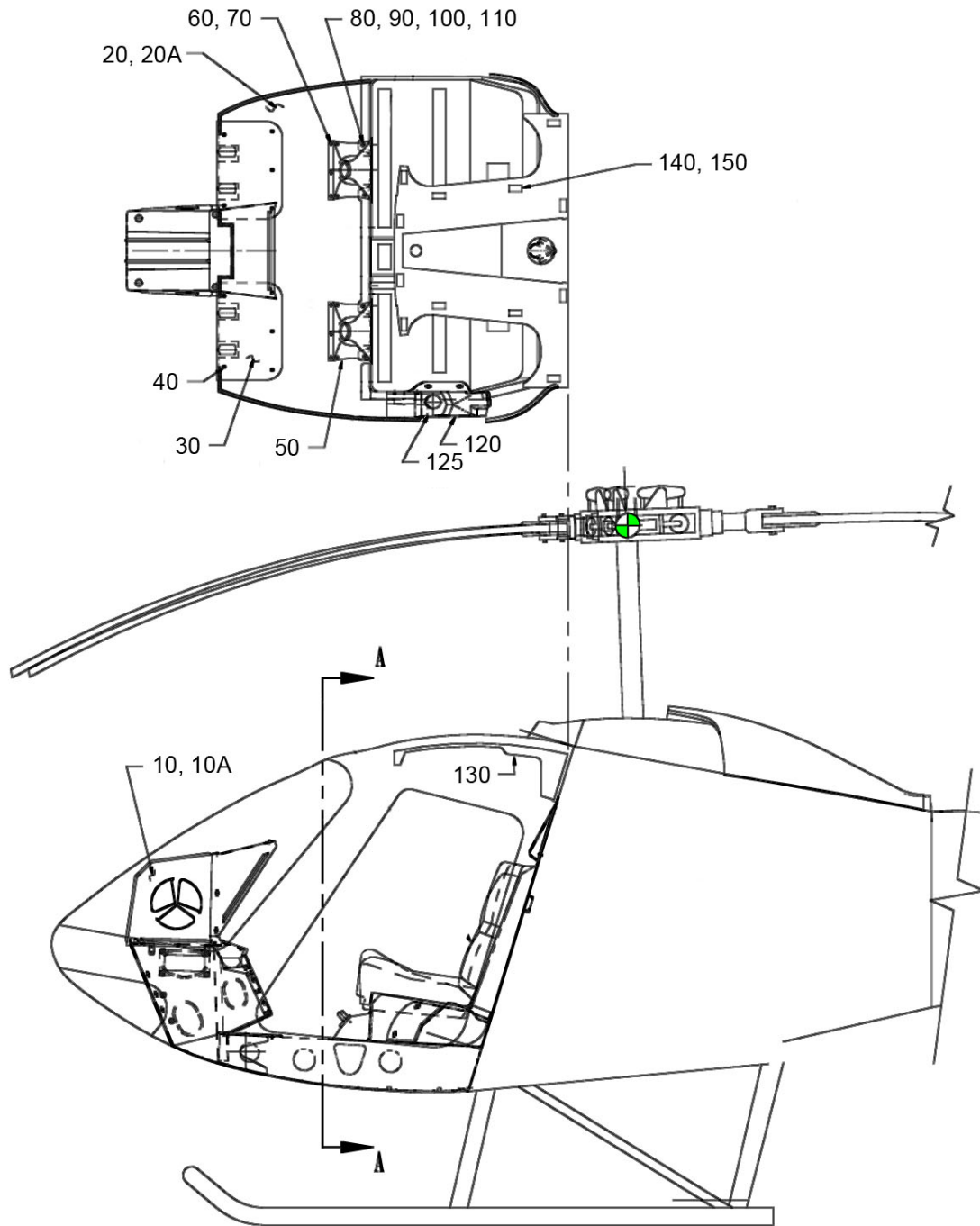
● Use AN525-832R14 if vibration damping material is used on cabin wall.

●● S/N 832 and subsequent

Δ S/N 833 and subsequent. Retrofittable to S/N 509 and subsequent.

ΔΔ S/N 833 and subsequent. (Use alternate 28-18162-13 or 28-18162-15 if a fuse panel is installed.)

ENSTROM F-28/280 SERIES ILLUSTRATED PARTS CATALOG

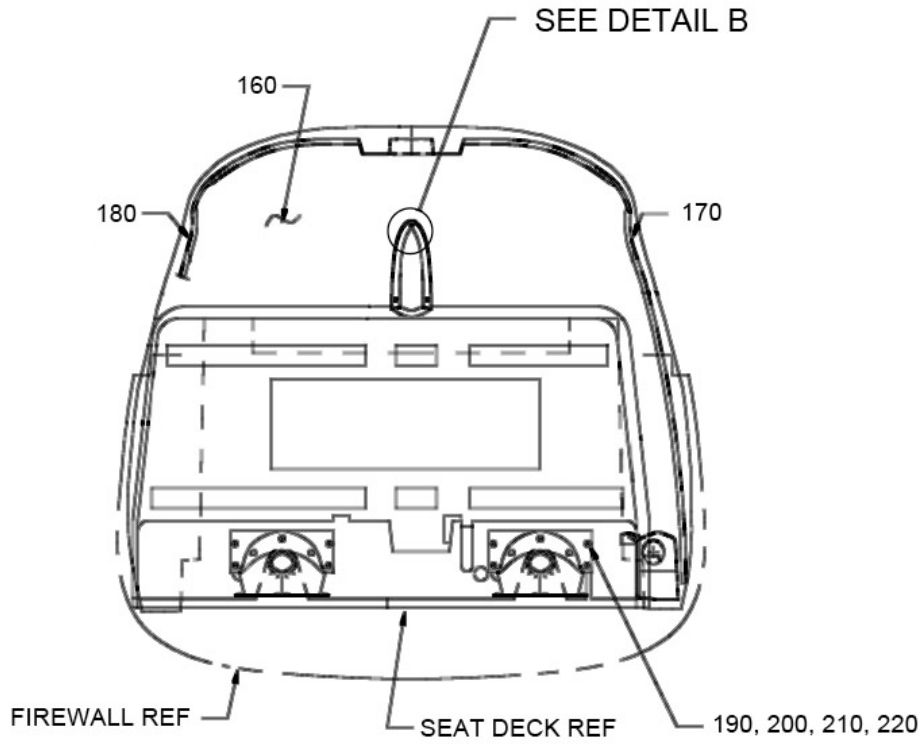


280F/FX: All S/N

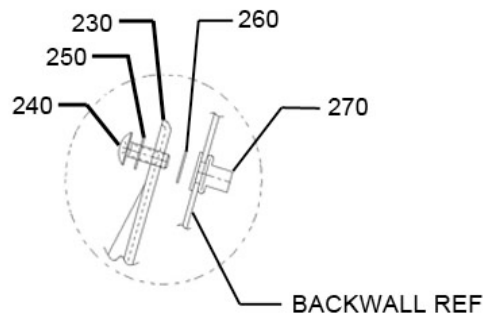
Sheet 1 of 2

FIGURE 9-4. 280F/FX CABIN FURNISHINGS

ENSTROM F-28/280 SERIES ILLUSTRATED PARTS CATALOG



VIEW A



DETAIL B

280F/FX: All S/N

Sheet 2 of 2

FIGURE 9-4. 280F/FX CABIN FURNISHINGS

ENSTROM F-28/280 SERIES ILLUSTRATED PARTS CATALOG

FIGURE 9-4. 280F/FX CABIN FURNISHINGS

| ITEM NUMBER | PART NUMBER | DESCRIPTION | QTY PER ASSY | MODELS AFFECTED | | | | | | |
|-------------|-------------|--|--------------|-----------------|-----|-------|------|-------|------|-------|
| | | | | F-28A | 280 | F-28C | 280C | F-28F | 280F | 280FX |
| - | 28-11624 | Interior and Trim Instl. 280FX | Ref | | | | | | X | X |
| 10▲ | 28-18166-7 | . Hood Console Assy. (Wide) | 1 | | | | | | | X |
| 10 | 28-18166-1 | . Hood Console Assy. (Wide) | 1 | | | | | | X | X |
| - | 28-18158-1 | . . Hood Assy. (Wide) | 1 | | | | | | X | X |
| - | 28-18159-11 | . . Instrument Face Panel (Wide) | 1 | | | | | | X | X |
| - | 28-18161-19 | . . Radio/Switch Panel (Wide) (Used with 28-18166-7) | 1 | | | | | | | X |
| - | 28-18161-11 | . . Radio/Switch Panel (Wide) | 1 | | | | | | X | X |
| -ΔΔ | 28-18162-17 | . . Side Panel (L.H.) | 1 | | | | | | X | X |
| - | 28-18162-15 | . . Side Panel (L.H.) (Alternate, 3.50 in. wide cutout) | 1 | | | | | | X | X |
| - | 28-18162-13 | . . Side Panel (L.H.) (Alternate, 2.50 in. wide cutout) | 1 | | | | | | X | X |
| - | 28-18162-14 | . . Side Panel (R.H.) | 1 | | | | | | X | X |
| - | 28-18164-5 | . . Glare Shield Assy. (Wide) | 1 | | | | | | X | X |
| -† | 8x3/8 | . . PK Screw | 21 | | | | | | X | X |
| - | A6195-8Z-1D | . . Tinnerman nut | 7 | | | | | | X | X |
| - | MS20426A3-4 | . . Rivet | 14 | | | | | | X | X |
| 10A** | 28-18166-5 | . Hood Console Assy. (Narrow) | 1 | | | | | | | X |
| 10A | 28-18166-3 | . Hood Console Assy. (Narrow) | 1 | | | | | | X | X |
| - | 28-18158-3 | . . Hood Assy. (Narrow) | 1 | | | | | | X | X |
| - | 28-18159-13 | . . Instrument Face Panel (Narrow) | 1 | | | | | | X | X |
| - | 28-18161-17 | . . Radio/Switch Panel (Narrow) (Used with 28-18166-5) | 1 | | | | | | | X |
| - | 28-18161-15 | . . Radio/Switch Panel (Narrow) | 1 | | | | | | X | X |
| -ΔΔ | 28-18162-17 | . . Side Panel (L.H.) | 1 | | | | | | X | X |
| - | 28-18162-15 | . . Side Panel (L.H.) (Alternate, 3.50 in. wide cutout) | 1 | | | | | | X | X |
| - | 28-18162-13 | . . Side Panel (L.H.) (Alternate, 2.50 in. wide cutout) | 1 | | | | | | X | X |
| - | 28-18162-14 | . . Side Panel (R.H.) | 1 | | | | | | X | X |
| - | 28-18164-3 | . . Glare Shield Assy. (Narrow) | 1 | | | | | | X | X |
| -† | 8x3/8 | . . PK Screw | 21 | | | | | | X | X |

ENSTROM F-28/280 SERIES ILLUSTRATED PARTS CATALOG

FIGURE 9-4. 280F/FX CABIN FURNISHINGS

| ITEM NUMBER | PART NUMBER | DESCRIPTION | QTY PER ASSY | MODELS AFFECTED | | | | | | |
|-------------|--------------|---|--------------|-----------------|-----|-------|------|-------|------|-------|
| | | | | F-28A | 280 | F-28C | 280C | F-28F | 280F | 280FX |
| - | A6195-8Z1D | . . Tinnerman nut | 7 | | | | | | X | X |
| - | MS20426A3-4 | . . Rivet | 14 | | | | | | X | X |
| 20 | 28-11622-1 | . Carpet Flooring | 1 | | | | | | X | X |
| 20A | 28-11622-21 | . Vinyl Flooring (Alternate) | 1 | | | | | | X | X |
| 20A | 28-11622-15 | . Vinyl Flooring (Alternate) (Superseded by 28-11622-21) | 1 | | | | | | X | X |
| 30* | 28-11608-13 | . Scuff Plate | 2 | | | | | | X | X |
| 30 | 28-11608-11 | . Scuff Plate (Superseded by 28-11608-11) | 2 | | | | | | X | X |
| 40 | AN530-6-8 | . Screw | 10 | | | | | | X | X |
| 50 | 28-11395-1 | . Cyclic Boot | 2 | | | | | | X | X |
| 60 | AN531-6R8 | . Screw | 10 | | | | | | X | X |
| 70 | 550 | . Stud | 10 | | | | | | X | X |
| 80 | AN531-6R10 | . Screw | 4 | | | | | | X | X |
| 90 | AN960-6L | . Washer | 4 | | | | | | X | X |
| 100 | AN365-632A | . Nut | 4 | | | | | | X | X |
| 110 | 550 | . Stud | 4 | | | | | | X | X |
| - | 28-16069-3 | . Collective Shroud Installation | 1 | | | | | | X | X |
| 120 | 28-16070-7 | . . Collective Shroud Assembly (S/S by 28-16070-101) | 1 | | | | | | X | X |
| 120 Δ | 28-16070-101 | . . Collective Shroud Assembly (S/S by 28-16070-103, -105) | 1 | | | | | | | X |
| 120 ♦ | 28-16070-103 | . . Collective Shroud Assembly | 1 | | | | | | | X |
| 125 ♦ | 28-16070-105 | . . Collective Cover Assembly | 1 | | | | | | | X |
| - | AN530-8R8 | . . Screw | 4 | | | | | | X | X |
| - Δ | 8x1/2 | . . Screw | 1 | | | | | | | X |
| 130 | 28-11620-1 | . Headliner | 1 | | | | | | X | X |
| 140 | ECD4089-11 | . Velcro Hook (1" Black) | A/R | | | | | | X | X |

ENSTROM F-28/280 SERIES ILLUSTRATED PARTS CATALOG

FIGURE 9-4. 280F/FX CABIN FURNISHINGS

| ITEM NUMBER | PART NUMBER | DESCRIPTION | QTY PER ASSY | MODELS AFFECTED | | | | | | |
|-------------|-------------|------------------------------------|--------------|-----------------|-----|-------|------|-------|------|-------|
| | | | | F-28A | 280 | F-28C | 280C | F-28F | 280F | 280FX |
| 150 | ECD4089-15 | . Velcro Loop (1" Black) | A/R | | | | | | X | X |
| - | 28-11623-1 | Carpet Insert – Door Pocket (R.H) | 1 | | | | | | X | X |
| - | 28-11623-2 | Carpet Insert – Door Pocket (L.H.) | 1 | | | | | | X | X |
| 160 | 28-11625-11 | . Backwall Upholstery | 1 | | | | | | X | X |
| 170 | 28-11621-11 | . Trim Closeout L.S. | 1 | | | | | | X | X |
| 180 | 28-11621-13 | . Trim Closeout R.S. | 1 | | | | | | X | X |
| 190 | MS24693S26 | . Screw | 10 | | | | | | X | X |
| 200 | AN960-6L | . Washer | 10 | | | | | | X | X |
| 210 | AN635-632A | . Nut | 10 | | | | | | X | X |
| 220 | 550 | . Stud | 10 | | | | | | X | X |
| 230 | 28-11404-13 | . Collective Push Pull Rod Cover | 1 | | | | | | X | X |
| 240 | AN526-832R8 | . Screw | 3 | | | | | | X | X |
| 250 | AN960-8L | . Washer | 3 | | | | | | X | X |
| 260 | AN936A8 | . Lock Washer | 3 | | | | | | X | X |
| 270 | S8P270 | . Plusnut | 3 | | | | | | X | X |

* Effectivity 280FX S/N 2134 and subsequent. Retrofittable to 280FX S/N 2001 and subsequent.

Δ S/N 2148 and subsequent. Retrofittable to S/N 2001 and subsequent.

◆ S/N 2167 and subsequent.

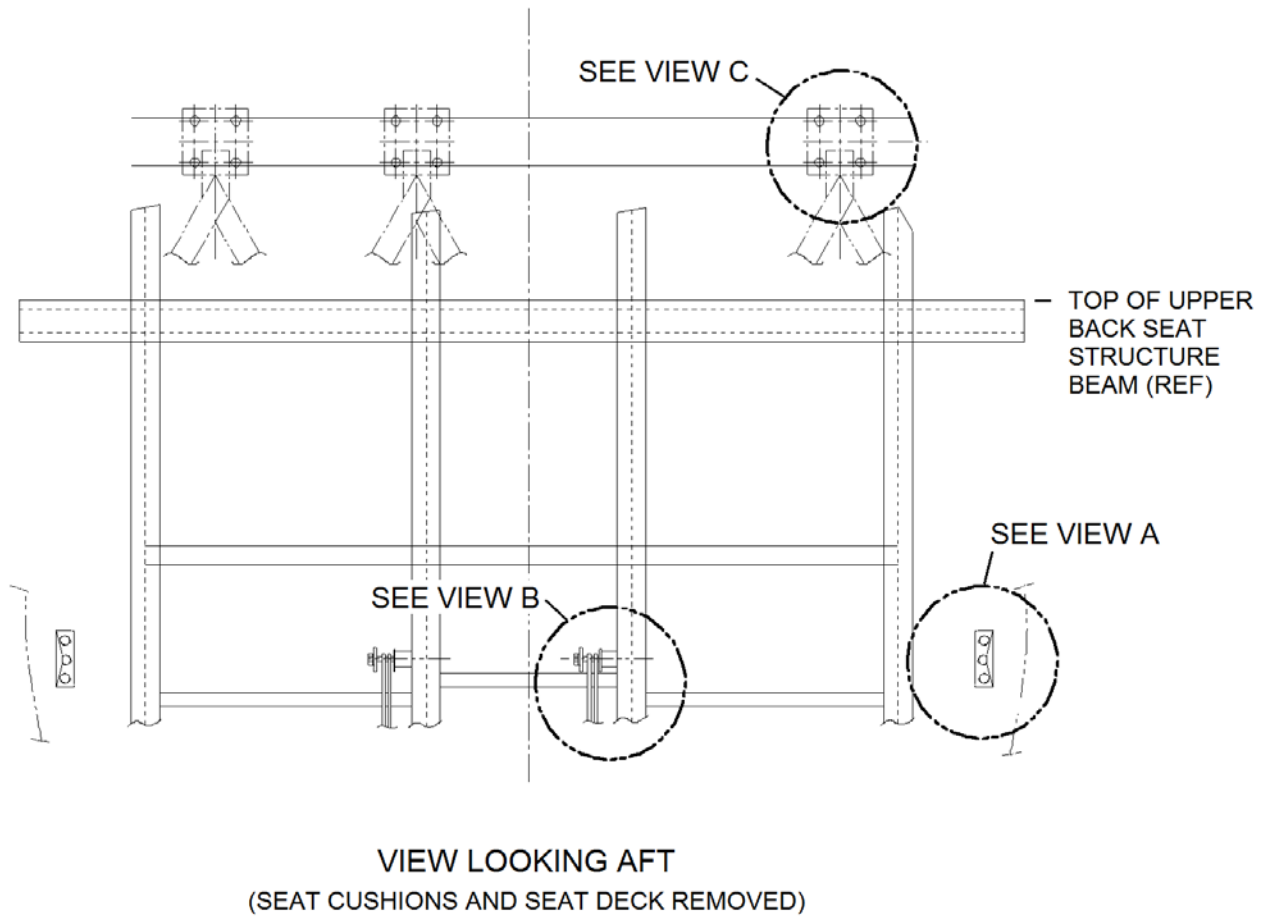
▲ S/N 2168 and subsequent.

** S/N 2167 and subsequent.

† Quantity 17 for 28-18166-5 and 28-18166-7 installations, respectively.

ΔΔ S/N 2168 and subsequent. Retrofittable S/N 2167. (Use alternate 28-18162-13 or 28-18162-15 if a fuse panel is installed.)

ENSTROM F-28/280 SERIES ILLUSTRATED PARTS CATALOG

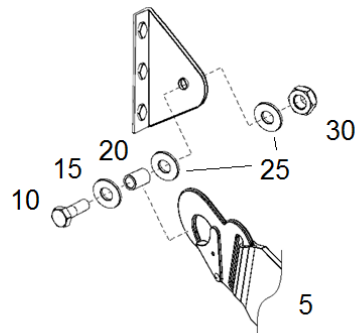


F-28A/F-28C/F-28F: All S/N
280/280C/280F/280FX: All S/N

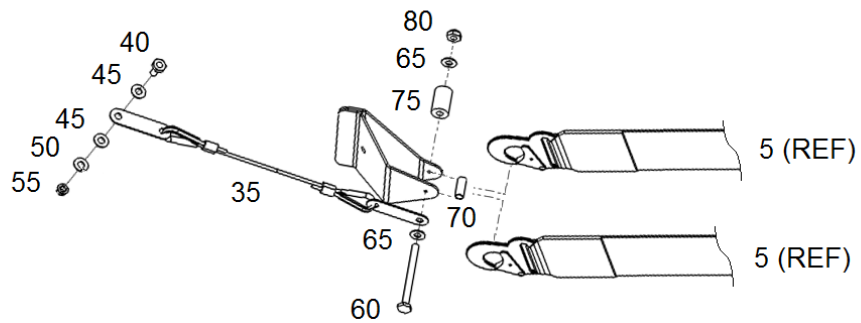
Sheet 1 of 2

FIGURE 9-5. CABIN FURNISHINGS – PASSENGER RESTRAINT SYSTEM

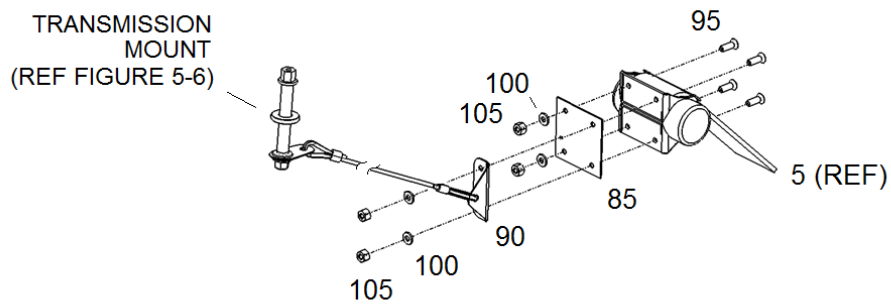
ENSTROM F-28/280 SERIES ILLUSTRATED PARTS CATALOG



VIEW A



VIEW B



VIEW C

F-28A/F-28C/F-28F: All S/N
280/280C/280F/280FX: All S/N

Sheet 2 of 2

FIGURE 9-5. CABIN FURNISHINGS – PASSENGER RESTRAINT SYSTEM

UNCONTROLLED COPY WHEN DOWNLOADED OR PRINTED

ENSTROM F-28/280 SERIES ILLUSTRATED PARTS CATALOG

FIGURE 9-5. CABIN FURNISHINGS – PASSENGER RESTRAINT SYSTEM

| ITEM NUMBER | PART NUMBER | DESCRIPTION | QTY PER ASSY | MODELS AFFECTED | | | | | | |
|-------------|---------------|--|--------------|-----------------|-----|-------|------|-------|------|-------|
| | | | | F-28A | 280 | F-28C | 280C | F-28F | 280F | 280FX |
| –* | 28-22210-9 | Restraint Harness Installation | 1 | X | X | X | X | X | X | X |
| 5 | 1-10-AM5201 | . Restraint Harness (3-Point) | 3 | X | X | X | X | X | X | X |
| 10 | AN4-6A | . Bolt | 2 | X | X | X | X | X | X | X |
| 15 | NAS1149F0332P | . Washer | 2 | X | X | X | X | X | X | X |
| 20 | 4119780-23 | . Spacer | 2 | X | X | X | X | X | X | X |
| 20** | 28-16348-1 | . Spacer (Alternate) (Inactive) | 2 | X | X | X | X | X | X | X |
| 25 | ECD050-11 | . Washer | 4 | X | X | X | X | X | X | X |
| 30 | MS21044N4 | . Nut | 2 | X | X | X | X | X | X | X |
| 35 | 28-11468-2 | . Seat Belt Cable Assembly | 2 | X | X | X | X | X | X | X |
| 40 | AN3-4A | . Bolt | 2 | X | X | X | X | X | X | X |
| 45 | NAS1149D0316J | . Washer | 4 | X | X | X | X | X | X | X |
| 50 | MS35338-43 | . Lock Washer | 2 | X | X | X | X | X | X | X |
| 55 | MS35650-302 | . Nut | 2 | X | X | X | X | X | X | X |
| 60 | AN3-21A | . Bolt | 2 | X | X | X | X | X | X | X |
| 65 | NAS1149D0316J | . Washer | 4 | X | X | X | X | X | X | X |
| 70 | 28-11466-1 | . Spacer | 2 | X | X | X | X | X | X | X |
| 75 | 28-11464-1 | . Spacer | 2 | X | X | X | X | X | X | X |
| 80 | MS21044N3 | . Nut | 2 | X | X | X | X | X | X | X |
| 85 | 28-22208-11 | . Plate | 3 | X | X | X | X | X | X | X |
| 90 | 28-22209-103 | . Reel Support Bracket Assembly | 3 | X | X | X | X | X | X | X |
| 90 | 28-22209-101 | . Reel Support Bracket Assembly (Inactive) | 3 | X | X | X | X | X | X | X |
| 95 | MS24694-S52 | . Screw | 12 | X | X | X | X | X | X | X |
| 100 | NAS1149F0363P | . Washer | 12 | X | X | X | X | X | X | X |
| 105 | MS21044N3 | . Nut | 12 | X | X | X | X | X | X | X |

* Eligible for all F-28 series and 280 series helicopters if not originally equipped from the factory with a 3-place restraint system (lap and shoulder). To convert to a 3-place restraint system, install quantity 1 each of Item 85 and Item 90 and quantity 4 each of 95, 100, and 105, per each passenger restraint required. Contact Enstrom Product Support for additional assistance.

ENSTROM F-28/280 SERIES ILLUSTRATED PARTS CATALOG

■ ** Ensure proper thread protrusion if using this spacer.

ENSTROM F-28/280 SERIES ILLUSTRATED PARTS CATALOG

I

INTENTIONALLY LEFT BLANK

ENSTROM F-28/280 SERIES ILLUSTRATED PARTS CATALOG

SECTION 10

UTILITY SYSTEMS

TABLE OF CONTENTS

| | | |
|----------------------|---|-------|
| | Cover Page | 10-1 |
| | Table of Contents | 10-1 |
| 10-1 | Cabin Heating Installation (F-28A) | 10-2 |
| 10-2 | Cabin Heating Installation (280) | 10-4 |
| 10-3 | Cabin Heating Installation (F-28C, 280C) | 10-7 |
| 10-4 | Cabin Heating Installation (Current Production) | 10-10 |

ENSTROM F-28/280 SERIES ILLUSTRATED PARTS CATALOG

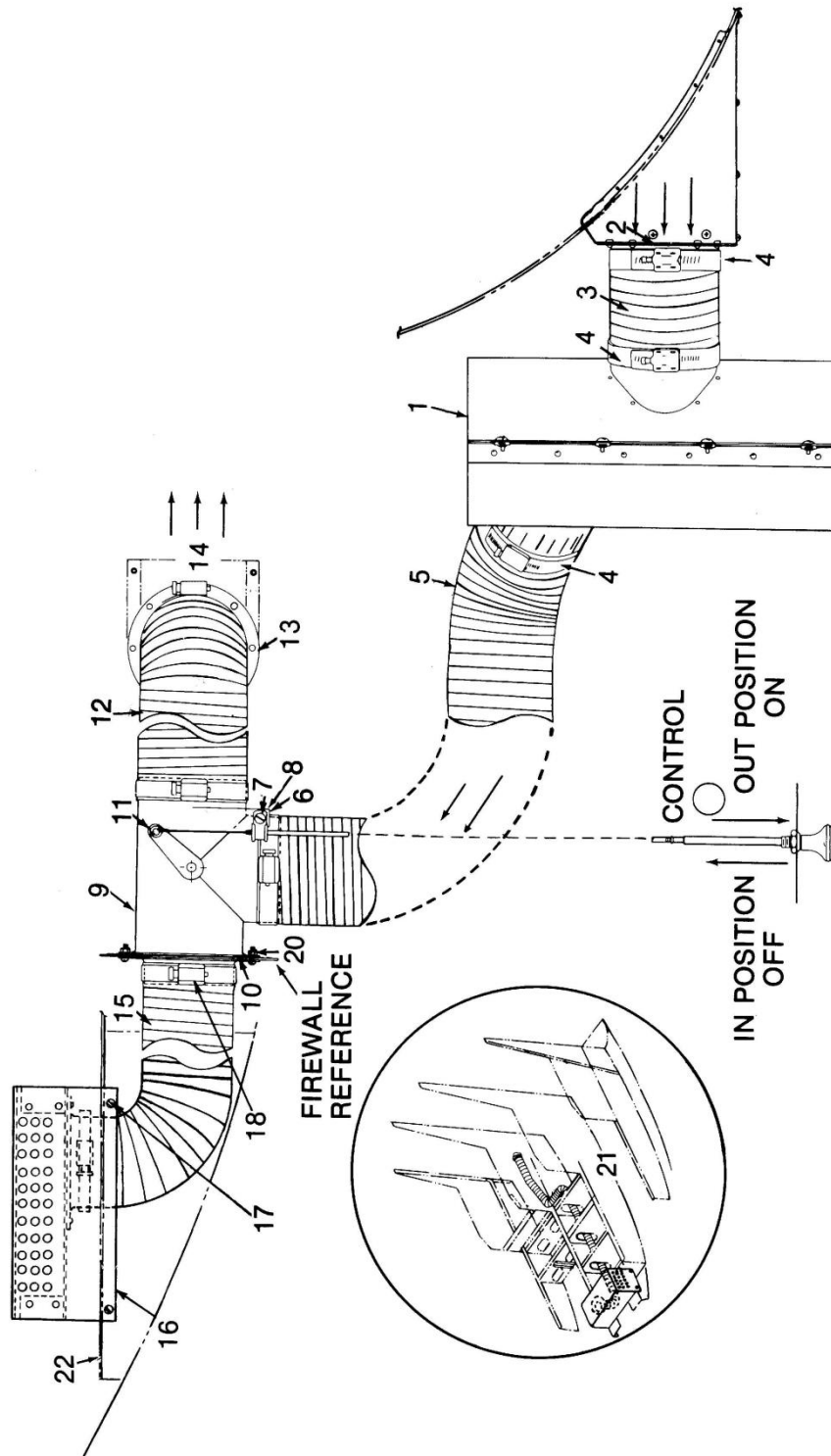


FIGURE 10-1. CABIN HEATING INSTALLATION (F-28A)

ENSTROM F-28/280 SERIES ILLUSTRATED PARTS CATALOG

FIGURE 10-1. CABIN HEATING INSTALLATION (F-28A)

| ITEM NUMBER | PART NUMBER | DESCRIPTION | QTY PER ASSY | MODELS AFFECTED | | | | | | |
|-------------|--------------|------------------------------|--------------|-----------------|-----|-------|------|-------|------|-------|
| | | | | F-28A | 280 | F-28C | 280C | F-28F | 280F | 280FX |
| - | 28-127000-1 | F-28A Cabin Heating Assembly | REF | X | | | | | | |
| 1 | 28-125007 | . Shroud Assembly | 1 | X | | | | | | |
| 2 | 28-12305 | . Ducting Stub | 1 | X | | | | | | |
| 3 | 28-127000-11 | . Hose | 1 | X | | | | | | |
| 4 | 20044S | . Clamp | 6 | X | | | | | | |
| 5 | 28-12701-5 | . Hose | 1 | X | | | | | | |
| 6 | 755-2-2-6 | . Clamp | 1 | X | | | | | | |
| 7 | AN530-8-8 | . Screw | 1 | X | | | | | | |
| 8 | A1789-8Z1 | . Tinnerman Nut | 1 | X | | | | | | |
| 9 | 28-12714 | . Valve Assembly | 1 | X | | | | | | |
| 10 | 28-12718 | . Ducting Stub | 1 | X | | | | | | |
| 11 | AN380-2-2 | . Cotter Pin | 1 | X | | | | | | |
| - | AN960-416 | . Washer | 1 | X | | | | | | |
| 12 | 28-12701-4 | . Hose | 1 | X | | | | | | |
| 13 | 28-12305 | . Ducting Stub | 1 | X | | | | | | |
| 14 | 28-12706 | . Hot Air Deflector | 1 | X | | | | | | |
| 15 | 28-12701-3 | . Hose | 1 | X | | | | | | |
| 16 | 28-12705 | . Heater Outlet Assembly | 1 | X | | | | | | |
| 17 | 8x1/2 | . Screw Type "B" | 4 | X | | | | | | |
| 18 | 20040S | . Clamp | 2 | X | | | | | | |
| 19 | A-740-12 | . Push-Pull Control | 1 | X | | | | | | |
| 20 | AN515-8-7 | . Screw | 6 | X | | | | | | |
| - | AN365-8 | . Nut | 6 | X | | | | | | |
| - | AN960-8 | . Washer | 12 | X | | | | | | |
| 21 | AN743-13 | . Clip | 1 | X | | | | | | |
| - | AN742-40 | . Clamp | 1 | X | | | | | | |
| 22 | 28-11452 | . Front Floor Panel Assembly | 1 | X | | | | | | |

ENSTROM F-28/280 SERIES ILLUSTRATED PARTS CATALOG

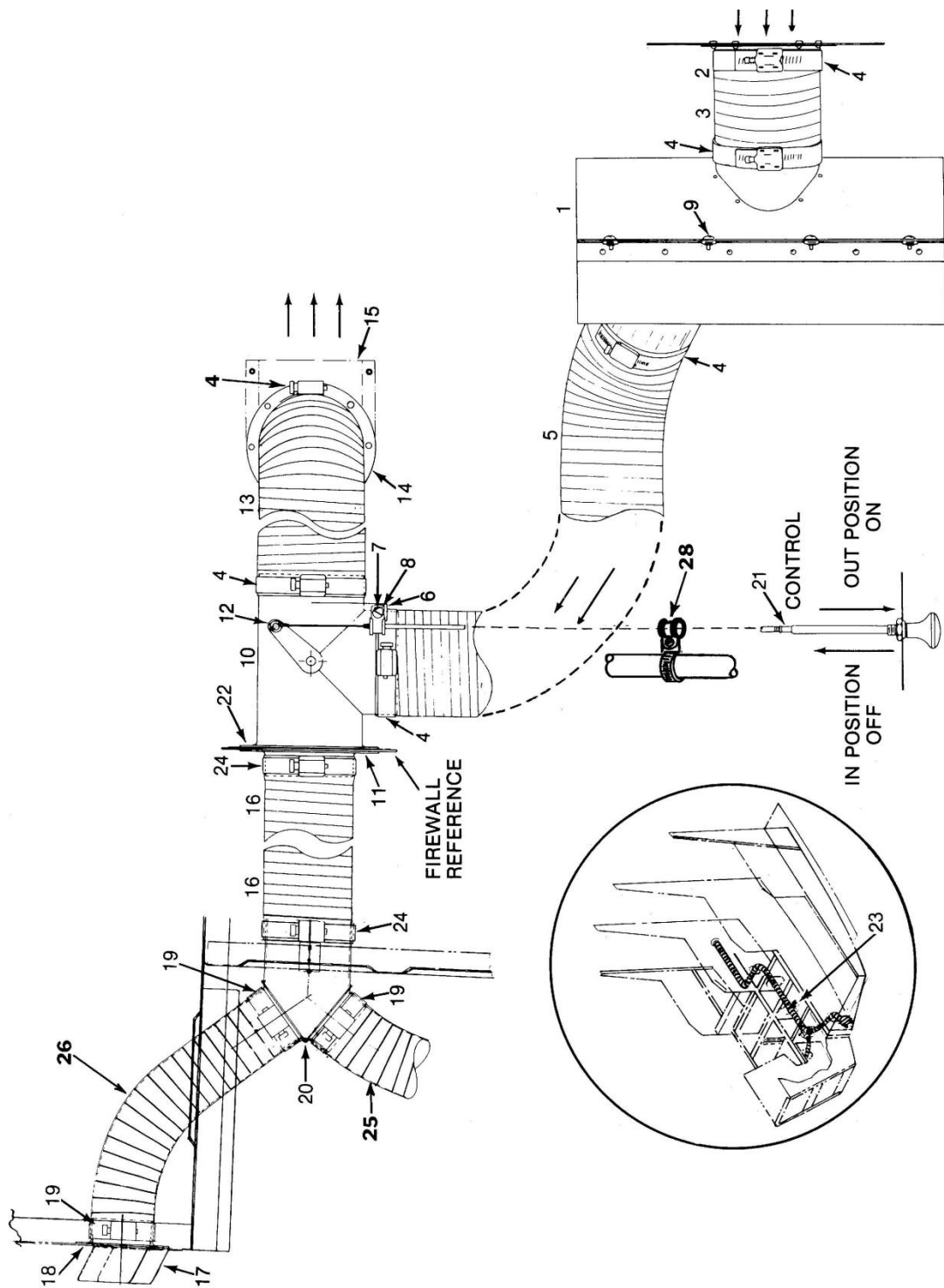


FIGURE 10-2. CABIN HEATING INSTALLATION (280)

ENSTROM F-28/280 SERIES ILLUSTRATED PARTS CATALOG

FIGURE 10-2. CABIN HEATING INSTALLATION (280)

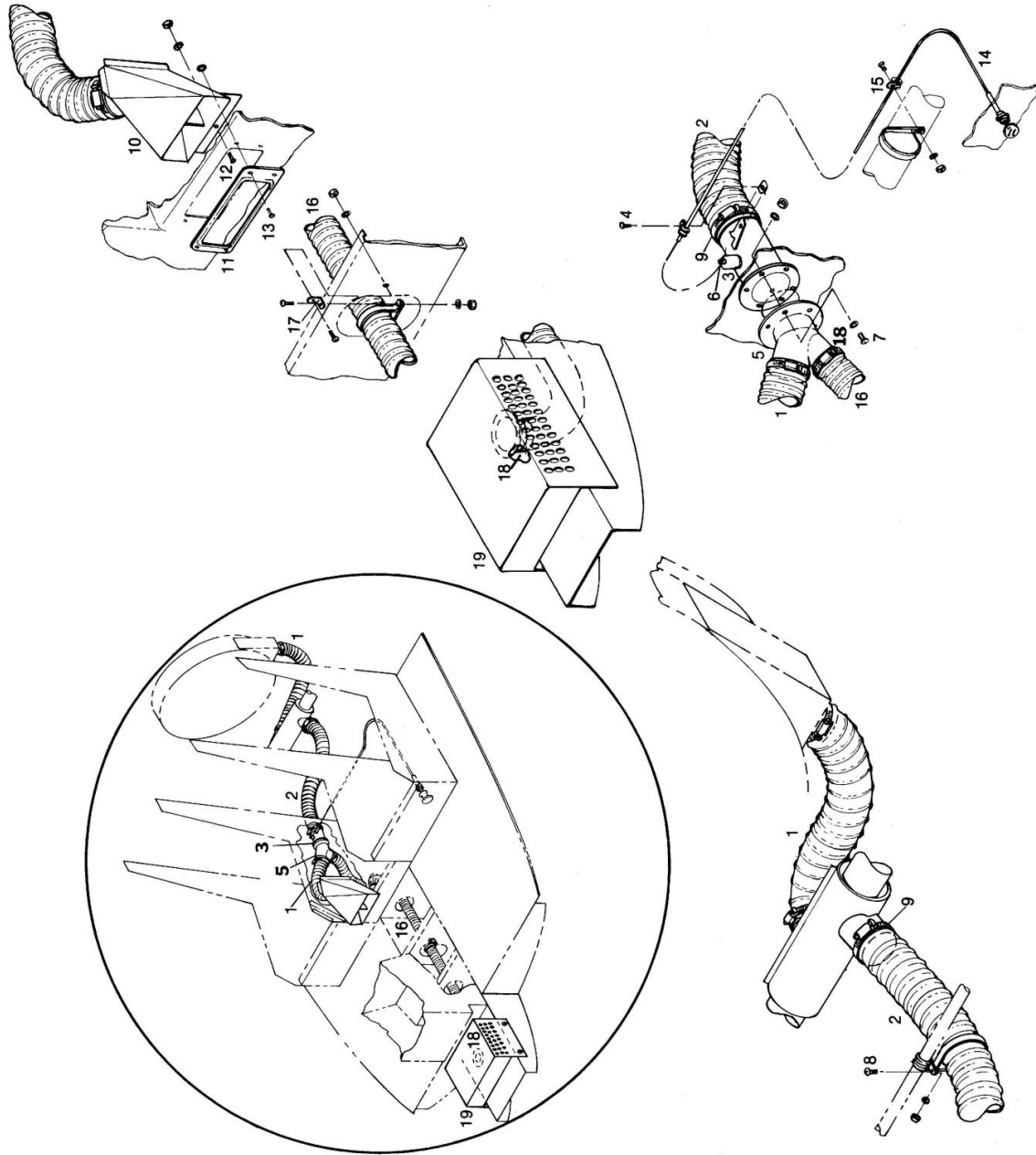
| ITEM NUMBER | PART NUMBER | DESCRIPTION | QTY PER ASSY | MODELS AFFECTED | | | | | | |
|-------------|---------------|-----------------------------|--------------|-----------------|-----|-------|------|-------|------|-------|
| | | | | F-28A | 280 | F-28C | 280C | F-28F | 280F | 280FX |
| - | 28-127001 | 280 Cabin Heating Assembly | REF | | X | | | | | |
| 1 | 28-125007 | . Shroud Assembly | 1 | | X | | | | | |
| 2 | 28-12305 | . Ducting Stub | 1 | | X | | | | | |
| 3 | 28-127000-11 | . Flex Line | 1 | | X | | | | | |
| 4 | QS200M44S | . Clamp | 6 | | X | | | | | |
| 5 | 28-12701-5 | . Aeroquip Hose | 1 | | X | | | | | |
| 6 | 755-2-2-6 | . Adel Clamp | 1 | | X | | | | | |
| 7 | AN530-8-8 | . Screw | 1 | | X | | | | | |
| 8 | A1789-8Z1 | . Tinnerman Nut | 1 | | X | | | | | |
| 9 | 8x1/2 | . Type B Screw | 9 | | X | | | | | |
| 10 | 28-12714 | . Valve Assembly | 1 | | X | | | | | |
| 11 | 28-12718 | . Ducting Stub | 1 | | X | | | | | |
| 12 | AN380-2-2 | . Cotter Pin | 1 | | X | | | | | |
| - | AN960-416L | . Washer | 1 | | X | | | | | |
| 13 | 28-12701-4 | . Aeroquip Hose | 1 | | X | | | | | |
| 14 | 28-12305 | . Ducting Stub | 1 | | X | | | | | |
| 15 | 28-12706 | . Hot Air Deflector | 1 | | X | | | | | |
| 16 | 280-127500-11 | . Hose | 1 | | X | | | | | |
| 17 | 280-127507-11 | . Deflector | 4 | | X | | | | | |
| 18 | 280-127505-13 | . Ducting Stub | 2 | | X | | | | | |
| 19 | QS100-M28S | . Clamp | 4 | | X | | | | | |
| 20 | 280-127502-1 | . Ducting Splitter Assembly | 1 | | X | | | | | |
| 21 | A-740-12 | . Push Pull Control | 1 | | X | | | | | |
| 22 | AN515-8-7 | . Screw | 6 | | X | | | | | |
| - | AN365-832 | . Nut | 6 | | X | | | | | |
| - | AN960-8L | . Washer | 2 | | X | | | | | |
| 23 | AN743-13 | . Adel Clip | 1 | | X | | | | | |

ENSTROM F-28/280 SERIES ILLUSTRATED PARTS CATALOG

FIGURE 10-2. CABIN HEATING INSTALLATION (280)

| ITEM NUMBER | PART NUMBER | DESCRIPTION | QTY PER ASSY | MODELS AFFECTED | | | | | | |
|-------------|--------------|---------------|--------------|-----------------|-----|-------|------|-------|------|-------|
| | | | | F-28A | 280 | F-28C | 280C | F-28F | 280F | 280FX |
| - | MS21919-G38 | . Clamp | 1 | | X | | | | | |
| 24 | QS-200-M40S | . Clamp | 2 | | X | | | | | |
| 25 | 28-127520-17 | . Hose | 1 | | X | | X | X | X | |
| 26 | 28-127520-19 | . Hose | 1 | | X | | X | X | X | |
| 28 | AN742-D48 | . Clamp | 1 | | X | | X | X | X | |
| - | AN935-8 | . Lock Washer | | | | | | | | |
| - | AN960-8L | . Washer | | | | | | | | |
| - | AN515-8R8 | . Screw | | | | | | | | |

ENSTROM F-28/280 SERIES ILLUSTRATED PARTS CATALOG



F-28A: All S/N
F-28C: Prior to S/N 468

FIGURE 10-3. CABIN HEATING INSTALLATION (F-28C, 280C)

ENSTROM F-28/280 SERIES ILLUSTRATED PARTS CATALOG

FIGURE 10-3. CABIN HEATING INSTALLATION (F-28C, 280C)

| ITEM NUMBER | PART NUMBER | DESCRIPTION | QTY PER ASSY | MODELS AFFECTED | | | | | | |
|-------------|--------------|---|--------------|-----------------|-----|-------|------|-------|------|-------|
| | | | | F-28A | 280 | F-28C | 280C | F-28F | 280F | 280FX |
| –** | 28-127002-3 | F-28A - F-28C Cabin Heater Installation | REF | X | | X | | | | |
| 1 | 28-127520-13 | . Heater Ducting | 2 | X | | X | | | | |
| 2 | 28-127520-11 | . Heater Ducting | 1 | X | | X | | | | |
| 3 | 28-127510-1 | . Valve-Cabin Heat | 1 | X | | X | | | | |
| 4 | AN530-8R8 | . Screw | 1 | X | | X | | | | |
| – | 755-2-2-6 | . . Clamp | 1 | X | | X | | | | |
| – | A1789-8Z1 | . . Tinnerman Nut | 1 | X | | X | | | | |
| 5 | 28-127509-1 | . Adapter | 1 | X | | X | | | | |
| 6 | AN960-416L | . Washer | 1 | X | | X | | | | |
| – | AN381-2-8 | . . Cotter Pin | 1 | X | | X | | | | |
| 7 | AN515-8R7 | . Screw | 6 | X | | X | | | | |
| – | AN935-8 | . . Lock Washer | 6 | X | | X | | | | |
| – | AN960-8L | . . Washer | 6 | X | | X | | | | |
| – | AN340-8 | . . Nut | 6 | X | | X | | | | |
| 8 | AN515-8R7 | . Screw | 1 | X | | X | | | | |
| – | AN960-8L | . . Washer | 1 | X | | X | | | | |
| – | AN364-832A | . . Nut | 1 | X | | X | | | | |
| – | AN742D48 | . . Clamp | 1 | X | | X | | | | |
| – | MS21919-F8 | . . Clamp | 1 | X | | X | | | | |
| 9 | QS200-M44S | . Clamp | 6 | X | | X | | | | |
| 10* | 28-127508-1 | . Duct Outlet | 1 | | | X | | | | |
| 11 | 28-127521-11 | . Cover-Duct Outlet | 1 | | | X | | | | |
| 12 | AN526-832R8 | . Screw | 1 | | | X | | | | |
| – | AN960-10 | . . Washer | 1 | | | X | | | | |
| – | AN960-8L | . . Washer | 1 | | | X | | | | |
| – | AN364-832A | . . Nut | 1 | | | X | | | | |
| 13 | CR163-4-4 | . Rivet | 4 | | | X | | | | |

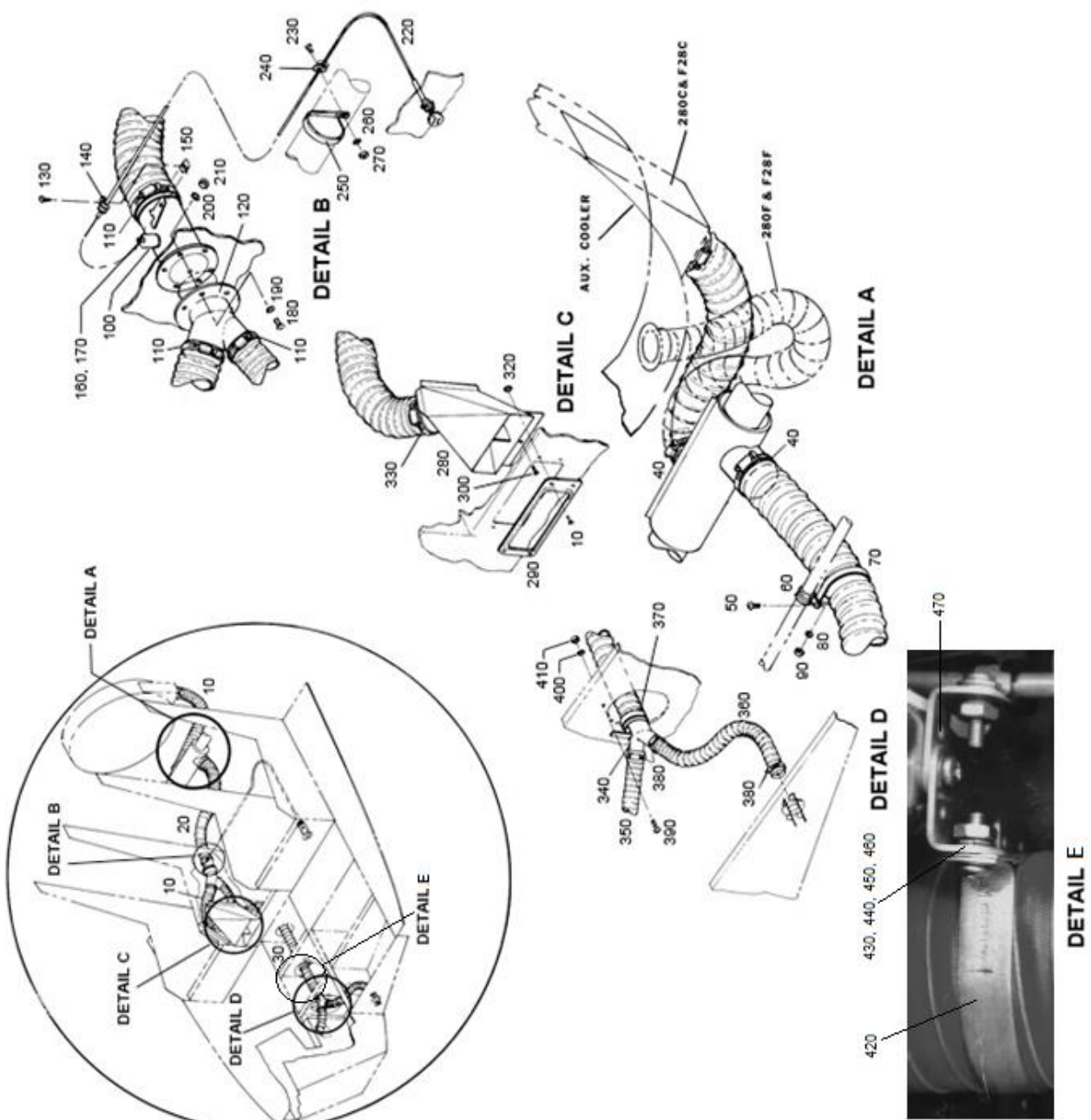
ENSTROM F-28/280 SERIES ILLUSTRATED PARTS CATALOG

FIGURE 10-3. CABIN HEATING INSTALLATION (F-28C, 280C)

| ITEM NUMBER | PART NUMBER | DESCRIPTION | QTY PER ASSY | MODELS AFFECTED | | | | | | |
|-------------|--------------|--------------------------|--------------|-----------------|-----|-------|------|-------|------|-------|
| | | | | F-28A | 280 | F-28C | 280C | F-28F | 280F | 280FX |
| - | AN960-4L | . . Washer | 4 | | | X | | | | |
| 14 | A-740-12 | . Push-Pull Control | 1 | X | | X | | | | |
| 15 | AN742D48 | . Clamp | 1 | X | | X | | | | |
| - | 755-2-2-6 | . . Clamp | 1 | X | | X | | | | |
| - | AN515-8R7 | . . Screw | 1 | X | | X | | | | |
| - | AN960-8L | . . Washer | 1 | X | | X | | | | |
| - | AN364-832A | . . Nut | 1 | X | | X | | | | |
| 16 | 28-127520-25 | . Hose Ducting | 1 | X | | X | | | | |
| 17 | AN743-13 | . Clip | 1 | X | | X | | | | |
| - | AN742D38 | . . Clamp | 1 | X | | X | | | | |
| - | AN515-8R8 | . . Screw | 2 | X | | X | | | | |
| - | AN960-8L | . . Washer | 4 | X | | X | | | | |
| - | AN364-832A | . . Nut | 2 | X | | X | | | | |
| 18 | QS200-M40S | . . Clamp | 2 | X | | X | | | | |
| 19 | 28-12705 | . Heater Outlet Assembly | 1 | X | | X | | | | |

* Effective F-28C S/N 468 and subsequent.

ENSTROM F-28/280 SERIES ILLUSTRATED PARTS CATALOG



F-28C: S/N 468 and Subsequent
 F-28F: S/N 704 and Subsequent
 280C/F/FX: All S/N

FIGURE 10-4. CABIN HEATING INSTALLATION (CURRENT PRODUCTION)

ENSTROM F-28/280 SERIES ILLUSTRATED PARTS CATALOG

FIGURE 10-4. CABIN HEATING INSTALLATION (CURRENT PRODUCTION)

| ITEM NUMBER | PART NUMBER | DESCRIPTION | QTY PER ASSY | MODELS AFFECTED | | | | | | |
|-------------|--------------|--|--------------|-----------------|-----|-------|------|-------|------|-------|
| | | | | F-28A | 280 | F-28C | 280C | F-28F | 280F | 280FX |
| –* | 28-127002-5 | Heater Installation – Cabin | REF | | | X | X | X | X | X |
| – | 28-127002-1 | Cabin Heater Installation (Superseded by 28-127002-5) | REF | | | X | X | X | X | |
| 10* | 28-127520-29 | . Heater Ducting | 2 | | | X | X | X | X | X |
| 10 | 28-127520-13 | . Heater Ducting (Superseded by 28-127520-29) | 2 | | | X | X | X | X | |
| 20 | 28-127520-11 | . Heater Ducting | 1 | | | X | X | X | X | X |
| 30 | 28-127520-15 | . Hose-Ducting | 1 | | | X | X | X | X | X |
| 40* | QS200-M40S | . Clamp | 2 | | | X | X | X | X | X |
| 40 | QS200-M44S | . Clamp (Superseded by QS200- M44S) | 2 | | | X | X | X | X | |
| 50 | AN515-8R8 | . Screw | 1 | | | X | X | X | X | X |
| 60 | MS21919F8 | . Clamp | 1 | | | X | X | X | X | X |
| 70** | MS21919WG38 | . Clamp | 1 | | | X | X | X | X | X |
| 70 | AN742D48 | . Clamp (Superseded by MS21919WG38) | 1 | | | X | X | X | X | X |
| 80 | AN960-8L | . Washer | 1 | | | X | X | X | X | X |
| 90 | AN364-832A | . Nut | 1 | | | X | X | X | X | X |
| 100 | 28-127510-1 | . Valve-Cabin Heat | 1 | | | X | X | X | X | X |
| 110 | QS200-M44S | . Clamp | 3 | | | X | X | X | X | X |
| 120* | 28-127523-1 | . Adapter | 1 | | | X | X | X | X | X |
| 120 | 28-127509-1 | . Adapter | 1 | | | X | X | X | X | |
| 130 | AN530-8R8 | . Screw | 1 | | | X | X | X | X | X |
| 140** | MS21919WDG3 | . Clamp | 1 | | | X | X | X | X | X |
| 140 | 755-2-2-6 | . Clamp (Superseded by MS21919WDG3) | 1 | | | X | X | X | X | X |
| 150 | A1789-8Z1 | . Tinnerman Nut | 1 | | | X | X | X | X | X |
| 160 | AN960-416L | . Washer | 1 | | | X | X | X | X | X |

ENSTROM F-28/280 SERIES ILLUSTRATED PARTS CATALOG

FIGURE 10-4. CABIN HEATING INSTALLATION (CURRENT PRODUCTION)

| ITEM NUMBER | PART NUMBER | DESCRIPTION | QTY PER ASSY | MODELS AFFECTED | | | | | | |
|-------------|---------------|---|--------------|-----------------|-----|-------|------|-------|------|-------|
| | | | | F-28A | 280 | F-28C | 280C | F-28F | 280F | 280FX |
| 170 | AN381-2-8 | . Cotter Pin | 1 | | | X | X | X | X | X |
| 180 | AN515-8R8 | . Screw | 6 | | | X | X | X | X | X |
| 190 | AN935-8 | . Lock Washer | 6 | | | X | X | X | X | X |
| 200 | AN960-8L | . Washer | 6 | | | X | X | X | X | X |
| 210 | AN340-8 | . Nut | 6 | | | X | X | X | X | X |
| 220** | A-740-12 | . Control Assembly | 1 | | | X | X | X | X | X |
| 220 | 3A3408-2 | . Push-Pull Control | 1 | | | X | X | X | X | X |
| 230 | AN515-8R8 | . Screw | 1 | | | X | X | X | X | X |
| 240** | MS21919WDG3 | . Clamp | 1 | | | X | X | X | X | X |
| 240 | 755-2-2-6 | . Clamp (Superseded by MS21919WDG3) | 1 | | | X | X | X | X | X |
| 250** | MS21919WG38 | . Clamp | 1 | | | X | X | X | X | X |
| 250 | AN742D48 | . Clamp (Superseded by MS21919WG38) | 1 | | | X | X | X | X | X |
| 260 | AN960-8L | . Washer | 1 | | | X | X | X | X | X |
| 270 | AN364-832A | . Nut | 1 | | | X | X | X | X | X |
| 280* | 28-127524-1 | . Duct Assembly | 1 | | | X | X | X | X | X |
| 280 | 28-127508-1 | . Duct Outlet (Superseded by 28-127524-1) | 1 | | | X | X | X | X | |
| 290 | 28-127521-11 | . Cover-Duct Outlet | 1 | | | X | X | X | X | X |
| 300 | AN526-832R7 | . Screw | 1 | | | X | X | X | X | X |
| 310 | CCR274SS-3-02 | . Rivet | 4 | | | | | X | | X |
| 310 | CR163-4-4 | . Rivet (Superseded by CCR274SS-3-02) | 4 | | | X | X | X | X | X |
| 320 | AN960-4L | . Washer | 4 | | | X | X | X | X | X |
| 330 | QS200-M44S | . Clamp | 1 | | | X | X | X | X | X |
| 340 | 28-127502-1 | . Ducting Splitter | 1 | | | X | X | X | X | X |
| 350 | 28-127520-19 | . Hose-Ducting | 1 | | | X | X | X | X | X |
| 360 | 28-127520-17 | . Hose-Ducting | 1 | | | X | X | X | X | X |

ENSTROM F-28/280 SERIES ILLUSTRATED PARTS CATALOG

FIGURE 10-4. CABIN HEATING INSTALLATION (CURRENT PRODUCTION)

| ITEM NUMBER | PART NUMBER | DESCRIPTION | QTY PER ASSY | MODELS AFFECTED | | | | | | |
|-------------|---------------|---------------|--------------|-----------------|-----|-------|------|-------|------|-------|
| | | | | F-28A | 280 | F-28C | 280C | F-28F | 280F | 280FX |
| 370 | QS200-M40S | . Clamp | 1 | | | X | X | X | X | X |
| 380 | QS200-M28S | . Clamp | 4 | | | X | X | X | X | X |
| 390 | AN526-832R7 | . Screw | 1 | | | X | X | X | X | X |
| 400 | AN960-8L | . Washer | 1 | | | X | X | X | X | X |
| 410 | AN364-832A | . Nut | 1 | | | X | X | X | X | X |
| 420 | MS21919WG38 | . Clamp | 1 | | | X | X | X | X | X |
| 430 | MS35206-245 | . Screw | 1 | | | X | X | X | X | X |
| 440 | NAS1149FN816P | . Washer | 2 | | | X | X | X | X | X |
| 450 | MS35338-42 | . Lock Washer | 1 | | | X | X | X | X | X |
| 460 | MS35649-282 | . Nut | 1 | | | X | X | X | X | X |
| 470 | AN743-13 | . Clip | 1 | | | X | X | X | X | X |

* Effectivity F-28C S/N 468 and subsequent, 280C S/N 1230 and subsequent, 280F S/N 1510 and subsequent, and F-28F S/N 704 and 706 and subsequent.

** Effectivity F-28F S/N 831 and subsequent and 280FX S/N 2136 and subsequent. Retrofittable to F-28 models S/N 509 and subsequent and 280 models S/N 2001 and subsequent.

ENSTROM F-28/280 SERIES ILLUSTRATED PARTS CATALOG

INTENTIONALLY LEFT BLANK

ENSTROM F-28/280 SERIES ILLUSTRATED PARTS CATALOG

SECTION 11

INSTRUMENTS

TABLE OF CONTENTS

| | | |
|-----------------------|--|-------|
| | Cover Page | 11-1 |
| | Table of Contents | 11-1 |
| 11-1 | Early F-28A Instrument Panels | 11-2 |
| 11-2 | F-28C Instrument Panel Installation | 11-6 |
| 11-3 | 280C and 280F Instrument Panel Installation | 11-10 |
| 11-4 | 280 Instrument Panel Installation | 11-15 |
| 11-5 | F-28F and 280FX Instrument Panel Installation (12V) | 11-19 |
| 11-6 | F-28F and 280FX Instrument Panel Installation (24V) | 11-26 |
| 11-7 | F-28F Instrument Panel Installation (24V) (F-28F S/N 833 and Subsequent) | 11-31 |
| 11-8 | 280FX Instruments and Instrument Panel (280FX S/N 2166 and prior) | 11-40 |
| 11-9 | 280FX Instruments and Instrument Panel (280FX S/N 2167 and Subsequent) | 11-50 |
| 11-10 | F-28A and 280 Instrument Line Pylon Location | 11-58 |
| 11-11 | Pitot Static System Installation | 11-60 |
| 11-12 | Instrument Lines Cabin and Panel | 11-63 |
| 11-13 | F-28A and 280 Instrument Lines Cabin and Panel | 11-65 |
| 11-14 | Instrument Line Installation | 11-67 |
| 11-15 | Instrument/System Line Installation | 11-70 |
| 11-16 | Turbine Inlet Temperature Indicator Installation | 11-75 |
| 11-17 | Graphic Engine Monitor | 11-77 |
| 11-18 | Mechanical Tachometer Drive Installation | 11-80 |
| 11-19 | EDM-700-4C Installation | 11-83 |
| 11-20 | Placard Bracket Installation | 11-90 |
| 11-21 | Placard Installation | 11-94 |

ENSTROM F-28/280 SERIES ILLUSTRATED PARTS CATALOG

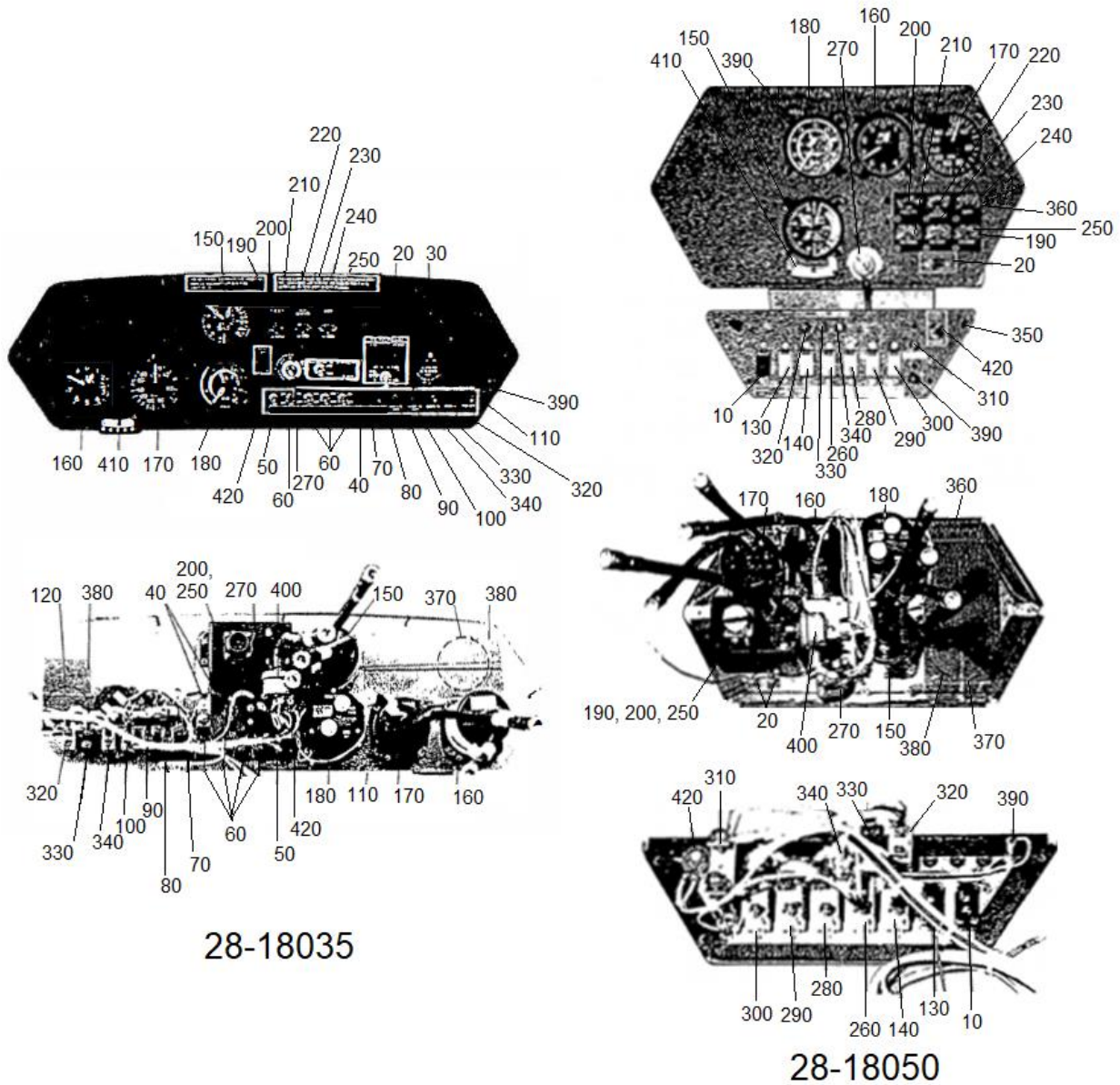


FIGURE 11-1. EARLY F-28A INSTRUMENT PANELS

ENSTROM F-28/280 SERIES ILLUSTRATED PARTS CATALOG

FIGURE 11-1. EARLY F-28A INSTRUMENT PANELS

| ITEM NUMBER | PART NUMBER | DESCRIPTION | QTY PER ASSY | MODELS AFFECTED | | | | | | |
|-------------|-------------------|---|--------------|-----------------|-----|-------|------|-------|------|-------|
| | | | | F-28A | 280 | F-28C | 280C | F-28F | 280F | 280FX |
| —◆ | 28-18035 | Instrument Installation | REF | X | | | | | | |
| —◆ | 28-18050 | Instrument Installation | REF | X | | | | | | |
| 10 | 8134K21A1T50 | . Master Switch | 1 | X | | | | | | |
| 20 | NO NUMBER | . Fuel Pressure Warning System | 1 | X | | | | | | |
| — | 804-1710-0332-504 | . Press-to-Test Light (Green) | 1 | X | | | | | | |
| — | 803-1710-0331-504 | . Press-to-Test Light (Red) | 1 | X | | | | | | |
| — | 1815 | . Bulb | 2 | X | | | | | | |
| — | 7270-1-7 1/2 | . Circuit Breaker Switch | 1 | X | | | | | | |
| 30 | 773-4/50 VDC | . Hour Meter | 1 | X | | | | | | |
| 40 | MP-160-012-70 | . 70 Amp Circuit Breaker | 1 | X | | | | | | |
| 50 | 511T1-2 | . Toggle Switch Master | 1 | X | | | | | | |
| 60 | 511TS1-2 | . Toggle Switch | 5 | X | | | | | | |
| 70 | 1500-052-2 | . 2 Amp Panel Light Circuit Breaker | 1 | X | | | | | | |
| 80 | 507-507-101 | . 7.5 Amp Navigation Light Circuit Breaker | 1 | X | | | | | | |
| 90 | 700-001-15 | . 15 Amp Anti-Collision Light Circuit Breaker | 1 | X | | | | | | |
| 100 | 700-001-20 | . 20 Amp Landing Light Circuit Breaker | 1 | X | | | | | | |
| 110 | 28-18036 | . Instrument Panel | 1 | X | | | | | | |
| 120 | 28-18036-10 | . Filler Plate 2.25" Diameter | A/R | X | | | | | | |
| 130 | 8134K21A1M52 | . Alternator Switch | 1 | X | | | | | | |
| 140 | 20TC2-CA-7.5 | . Navigation Light Circuit Breaker Switch | 1 | X | | | | | | |
| 150 | UI6082-H61 | . Manifold Pressure Gauge | 1 | X | | | | | | |
| 160 | 5934 | . Altimeter | 1 | X | | | | | | |
| 170 | 8000T | . Airspeed Indicator | 1 | X | | | | | | |
| 180 | 65-29AP | . Tachometer | 1 | X | | | | | | |
| 190 | ECD071-11 | . Instrument Cluster | 1 | X | | | | | | |

ENSTROM F-28/280 SERIES ILLUSTRATED PARTS CATALOG

FIGURE 11-1. EARLY F-28A INSTRUMENT PANELS

| ITEM NUMBER | PART NUMBER | DESCRIPTION | QTY PER ASSY | MODELS AFFECTED | | | | | | |
|-------------|----------------|--|--------------|-----------------|-----|-------|------|-------|------|-------|
| | | | | F-28A | 280 | F-28C | 280C | F-28F | 280F | 280FX |
| 190 | 22-169-09-1L | . Engine Instrument Cluster (Replaced by ECD071-11) | 1 | X | | | | | | |
| 200 | ECD071-3 | . . Fuel Quantity Gauge | 1 | X | | | | | | |
| 200 | 169E-910-14-4L | . . Fuel Quantity Gauge (Replaced by ECD071-3) | 1 | X | | | | | | |
| 210 | ECD071-6 | . . Engine Oil Pressure Gauge | 1 | X | | | | | | |
| 210 | 169E-914-1L | . . Engine Oil Pressure Gauge (Replaced by ECD071-6) | 1 | X | | | | | | |
| 220 | ECD071-4 | . . MRGB Oil Temperature Gauge | 1 | X | | | | | | |
| 220 | 169E-910-15L | . . MRGB Oil Temperature Gauge (Replaced by ECD071-4) | 1 | X | | | | | | |
| 230 | ECD071-7 | . . Engine Oil Temperature Gauge | 1 | X | | | | | | |
| 230 | 169E-910-11L | . . Engine Oil Temperature Gauge (Replaced by ECD071-7) | 1 | X | | | | | | |
| 240 | ECD071-5 | . . Ammeter | 1 | X | | | | | | |
| 240 | 169E-909-2L | . . Ammeter (Replaced by ECD071-5) | 1 | X | | | | | | |
| 250 | ECD071-8 | . . Engine Cylinder Temperature Gauge | 1 | X | | | | | | |
| 250 | 169E-910-12L | . . Engine Cylinder Temperature Gauge (Replaced by ECD071-8) | 1 | X | | | | | | |
| 260 | 20TC2-CA-3 | . Panel Light Circuit Breaker Switch | 1 | X | | | | | | |
| 270 | 10-357290-1 | . Ignition Switch | 1 | X | | | | | | |
| 280 | 20TC2-CA-15 | . Anti-Collision Light Circuit Breaker Switch | 1 | X | | | | | | |
| 290 | 20TC2-CA-7.5 | . Boost Pump Circuit Breaker Switch | 1 | X | | | | | | |
| 300 | 20TC2-CA-20 | . Landing Light Circuit Breaker Switch | 1 | X | | | | | | |
| 310 | MP-100-012-70 | . Alternator Circuit Breaker (70 Amp) | 1 | X | | | | | | |
| 320 | 507-507-101 | . 7.5 Amp Trim Motor Circuit Breaker | 1 | X | | | | | | |

ENSTROM F-28/280 SERIES ILLUSTRATED PARTS CATALOG

FIGURE 11-1. EARLY F-28A INSTRUMENT PANELS

| ITEM NUMBER | PART NUMBER | DESCRIPTION | QTY PER ASSY | MODELS AFFECTED | | | | | | |
|-------------|---------------|---------------------------------------|--------------|-----------------|-----|-------|------|-------|------|-------|
| | | | | F-28A | 280 | F-28C | 280C | F-28F | 280F | 280FX |
| 330 | 1500-052-1 | . 1 Amp Instrument Circuit Breaker | 1 | X | | | | | | |
| 340 | 507-507-101 | . 7.5 Amp Ignition Circuit Breaker | 1 | X | | | | | | |
| - | 41EN-G5-2312 | . Indicator Light (Green) | 1 | X | | | | | | |
| - | 41EN-G3-2311 | . Indicator Light (Red) | 1 | X | | | | | | |
| 350 | 28-18051 | . Switch Panel | 1 | X | | | | | | |
| 360 | 28-18049 | . Instrument Panel | 1 | X | | | | | | |
| 370 | 28-18036-9 | . Filler Plate 3.08" Diameter | A/R | X | | | | | | |
| 380 | 222 | . Kendall Polyken Cloth Tape | A/R | X | | | | | | |
| - | C-2400L4VT-AB | . Airpath Compass | 1 | X | | | | | | |
| - | 330 | . Compass Bulb | 1 | X | | | | | | |
| - | 1592-30 | . Scott Outside Air Temperature Gauge | 1 | X | | | | | | |
| 390 | A8970B-1-330 | . Instrument Light | 9 | X | | | | | | |
| - | 330 | . Instrument Bulb | 9 | X | | | | | | |
| - | 22-370-60 | . Shunt, 50 Millivolt | 1 | X | | | | | | |
| 400 | 2904-33F5 | . Pressure Switch | 1 | X | | | | | | |
| 410 | 1040 | . Ball Bank Indicator | 1 | X | | | | | | |
| 420 | KN500B1/8 | . Knob | 1 | X | | | | | | |
| - | 0110 | . Rheostat | 1 | X | | | | | | |
| -* | 41EN-G3-2311 | . Starter Engaged Warning Light (Red) | 1 | X | | | | | | |
| -* | 41EN-G3-2311 | . Alternator Discharge Light (Red) | 1 | X | | | | | | |
| -* | 41EN-G3-2313 | . Low Fuel Light (Amber) | 1 | X | | | | | | |

◆ Information contained herein represents components as installed at the time of manufacture.

* Optional equipment.

ENSTROM F-28/280 SERIES ILLUSTRATED PARTS CATALOG

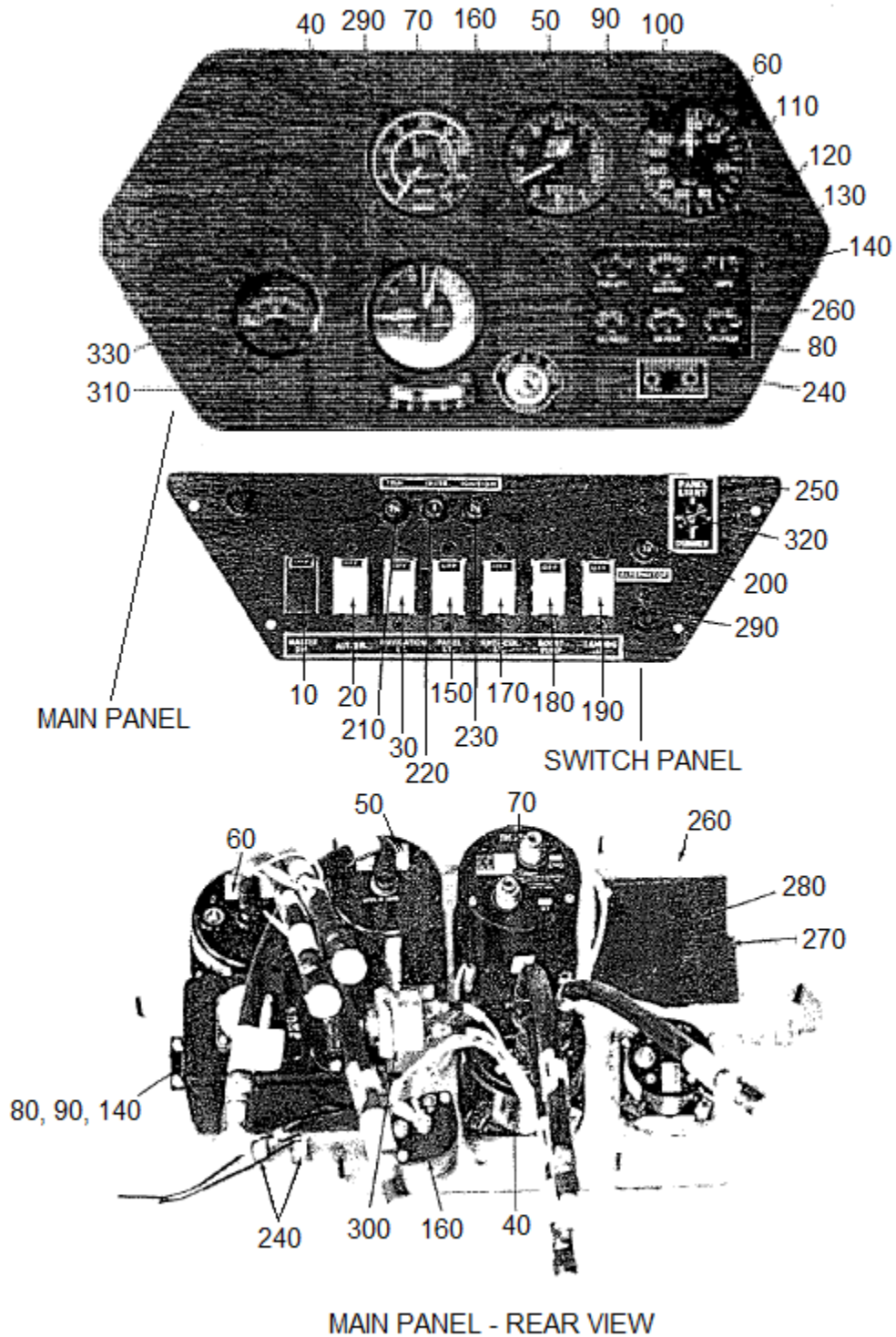


FIGURE 11-2. F-28C INSTRUMENT PANEL INSTALLATION

ENSTROM F-28/280 SERIES ILLUSTRATED PARTS CATALOG

FIGURE 11-2. F-28C INSTRUMENT PANEL INSTALLATION

| ITEM NUMBER | PART NUMBER | DESCRIPTION | QTY PER ASSY | MODELS AFFECTED | | | | | | |
|-------------|----------------|---|--------------|-----------------|-----|-------|------|-------|------|-------|
| | | | | F-28A | 280 | F-28C | 280C | F-28F | 280F | 280FX |
| →∞ | 28-18050 | Instrument Installation | REF | | | X | | | | |
| 10 | TIGM54-1C-RD-A | . Master Switch | 1 | | | X | | | | |
| -10A* | TILA64-1C-RD-A | . Master Switch | 1 | | | X | | | | |
| 20 | TILA64-1C-WH-A | . Alternator Switch | 1 | | | X | | | | |
| -20A* | TIGM54-1C-WH-A | . Alternator Switch | 1 | | | X | | | | |
| 30 | 20TC2-CA-7.5 | . Navigation Light Circuit Breaker Switch | 1 | | | X | | | | |
| 40 | 6312-H69A | . Manifold/Fuel Pressure Gauge | 1 | | | X | | | | |
| 50 | 5934-1 | . Altimeter (Inches) | 1 | | | X | | | | |
| -50A▲ | 5934M | . Altimeter (Millibars) | 1 | | | X | | | | |
| 60 | 8000-B160 | . Airspeed (MPH) | 1 | | | X | | | | |
| -60A▲ | 8000-B332 | . Airspeed (Knots) | 1 | | | X | | | | |
| 70 | 65-29B | . Tachometer | 1 | | | X | | | | |
| 80 | ECD071-11 | . Instrument Cluster | 1 | | | X | | | | |
| 80 | 22-169-09-1L | . Instrument Cluster (Replaced by ECD071-11) | 1 | | | X | | | | |
| 90 | ECD071-3 | . . Fuel Quantity Gauge | 1 | | | X | | | | |
| 90 | 169E-910-14-4L | . . Fuel Quantity Gauge (Replaced by ECD071-3) | 1 | | | X | | | | |
| 100 | ECD071-6 | . . Engine Oil Pressure Gauge | 1 | | | X | | | | |
| 100 | 169E-914-1L | . . Engine Oil Pressure Gauge (Replaced by ECD071-6) | 1 | | | X | | | | |
| 110 | ECD071-4 | . . MRGB Oil Temperature Gauge | 1 | | | X | | | | |
| 110 | 169E-910-15L | . . MRGB Oil Temperature Gauge (Replaced by ECD071-4) | 1 | | | X | | | | |
| 120 | ECD071-7 | . . Engine Oil Temperature Gauge | 1 | | | X | | | | |
| 120 | 169E-910-11L | . . Engine Oil Temperature Gauge (Replaced by ECD071-7) | 1 | | | X | | | | |
| 130 | ECD071-5 | . . Ammeter | 1 | | | X | | | | |
| 130 | 169E-909-2L | . . Ammeter (Replaced by ECD071-5) | 1 | | | X | | | | |

ENSTROM F-28/280 SERIES ILLUSTRATED PARTS CATALOG

FIGURE 11-2. F-28C INSTRUMENT PANEL INSTALLATION

| ITEM NUMBER | PART NUMBER | DESCRIPTION | QTY PER ASSY | MODELS AFFECTED | | | | | | |
|-------------|------------------|--|--------------|-----------------|-----|-------|------|-------|------|-------|
| | | | | F-28A | 280 | F-28C | 280C | F-28F | 280F | 280FX |
| 140 | ECD071-8 | . Engine Cylinder Temperature Gauge | 1 | | | X | | | | |
| 140 | 169E-190-12L | . Engine Cylinder Temperature Gauge (Replaced by ECD071-8) | 1 | | | X | | | | |
| 150 | 20TC2-CA-3 | . Panel Light Circuit Breaker Switch | 1 | | | X | | | | |
| 160 | 10-357290-1 | . Ignition Switch | 1 | | | X | | | | |
| 170 | 20TC2-CA-15 | . Anti-Collision Light Circuit Breaker Switch | 1 | | | X | | | | |
| 180 | 20TC2-CA-7.5 | . Boost Pump Circuit Breaker Switch | 1 | | | X | | | | |
| 190 | 20TC2-CA-20 | . Landing Light Circuit Breaker Switch | 1 | | | X | | | | |
| 200 | MP-160-012-70 | . Alternator Circuit Breaker 70 Amp | 1 | | | X | | | | |
| -* | 507-507-101 | . Alternator Exciter Circuit Breaker | 1 | | | X | | | | |
| 210 | 507-507-101 | . Trim Motor Circuit Breaker 7.5 Amp | 1 | | | X | | | | |
| 220 | 1500-052-1 | . Instrument Circuit Breaker 1 Amp | 1 | | | X | | | | |
| 230 | 507-507-101 | . Ignition Circuit Breaker 7.5 Amp | 1 | | | X | | | | |
| 240 | 28-18043 | . Placard – Fuel Boot | 1 | | | X | | | | |
| - | 41EN-G5-2312 | . Pressure Warning Indicator Light (Green) | 1 | | | X | | | | |
| - | 41EN-G3-2311 | . Pressure Warning Indicator Light (Red) | 1 | | | X | | | | |
| 250 | 28-18051-3 | . Switch Panel | 1 | | | X | | | | |
| 260 | 28-18049 | . Instrument Panel | 1 | | | X | | | | |
| 270 | 28-18036--9 | . Filler Plate 3.08" Diameter | A/R | | | X | | | | |
| 280 | 222 | . Kendall Cloth Tape | A/R | | | X | | | | |
| - | C-2400L4VW-AB-RG | . Compass, Airpath | 1 | | | X | | | | |
| - | 330 | . Compass Bulb | 1 | | | X | | | | |
| - | 1592-30 | . Scott Outside Air Temperature Gauge | 1 | | | X | | | | |
| 290 | A8970B-1-330 | . Instrument Light | 7 | | | X | | | | |

ENSTROM F-28/280 SERIES ILLUSTRATED PARTS CATALOG

FIGURE 11-2. F-28C INSTRUMENT PANEL INSTALLATION

| ITEM NUMBER | PART NUMBER | DESCRIPTION | QTY PER ASSY | MODELS AFFECTED | | | | | | |
|-------------|--------------|------------------------------------|--------------|-----------------|-----|-------|------|-------|------|-------|
| | | | | F-28A | 280 | F-28C | 280C | F-28F | 280F | 280FX |
| - | 330 | . Instrument Light Bulb | 7 | | | X | | | | |
| - | 22-370-60 | . Shunt, 50 Millivolt | 1 | | | X | | | | |
| 300 | 2904-33 | . Oil Pressure Switch | 1 | | | X | | | | |
| 310 | 1040 | . Ball Bank Indicator | 1 | | | X | | | | |
| 320 | KN500B1/8 | . Knob | 1 | | | X | | | | |
| - | 0110 | . Rheostat | 1 | | | X | | | | |
| -** | 28-18032-1 | . Rheostat | 1 | | | X | | | | |
| 330 | 202A-1A | . EGT Gauge | 1 | | | X | | | | |
| -▲ | 41EN-G3-2311 | . Starter Engaged Warning Light | 1 | | | X | | | | |
| -▲ | 41EN-G3-2311 | . Alternator Discharge Light (Red) | 1 | | | X | | | | |
| -▲ | 41EN-G3-2313 | . Low Fuel Warning Light | 1 | | | X | | | | |

◆ Information contained herein represents components as installed at the time of manufacture.

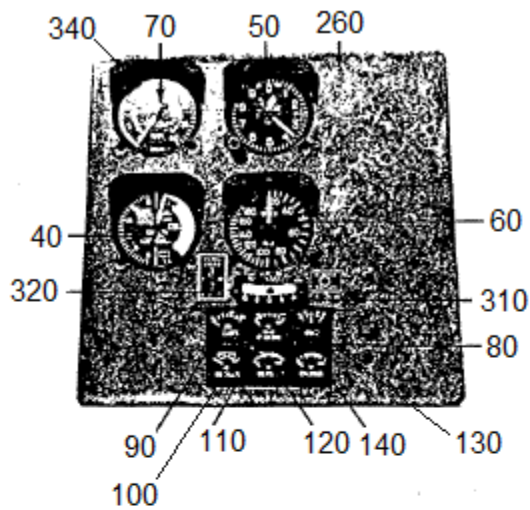
∞ Prior to F-28C-2.

* F-28C S/N 425 and subsequent.

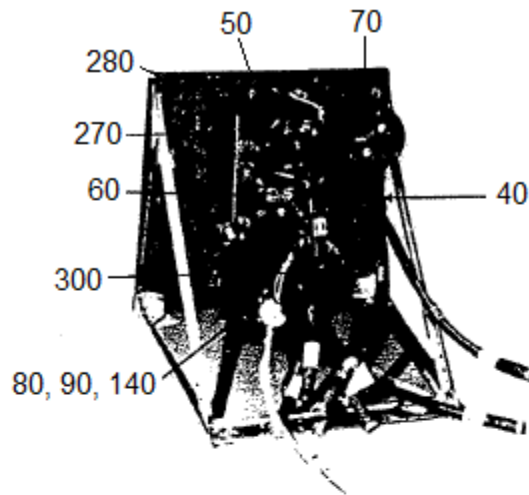
▲ Optional equipment.

** F-28C S/N 457 and subsequent.

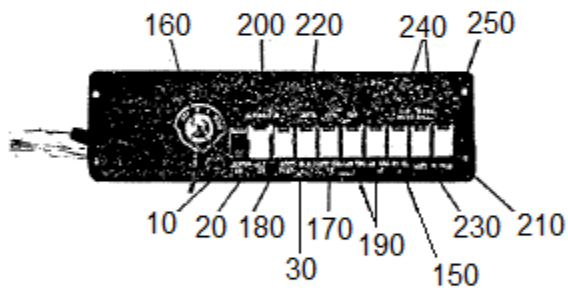
ENSTROM F-28/280 SERIES ILLUSTRATED PARTS CATALOG



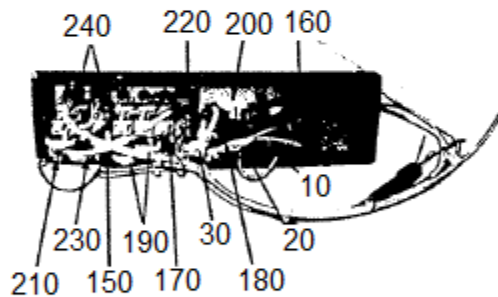
MAIN PANEL - 280



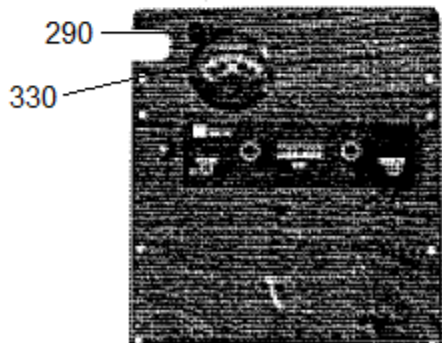
MAIN PANEL - REAR VIEW 280



SWITCH PANEL - 280C



SWITCH PANEL - REAR VIEW 280



LOWER PANEL - 280

FIGURE 11-3. 280C AND 280F INSTRUMENT PANEL INSTALLATION

ENSTROM F-28/280 SERIES ILLUSTRATED PARTS CATALOG

FIGURE 11-3. 280C AND 280F INSTRUMENT PANEL INSTALLATION

| ITEM NUMBER | PART NUMBER | DESCRIPTION | QTY PER ASSY | MODELS AFFECTED | | | | | | |
|-------------|----------------|--|--------------|-----------------|-----|-------|------|-------|------|-------|
| | | | | F-28A | 280 | F-28C | 280C | F-28F | 280F | 280FX |
| —◆ | 280-180000 | Instrument Installation | REF | | | | X | | X | |
| 10 | TIGM54-1C-RD-A | . Master Switch | 1 | | | | X | | X | |
| 20 | TILA64-1C-WH-A | . Alternator Switch | 1 | | | | X | | X | |
| -20A∞ | TIGM54-1C-WH-A | . Alternator Switch | 1 | | | | X | | X | |
| 30 | 20TC2-CA-7.5 | . Navigation Light Circuit Breaker Switch | 1 | | | | X | | X | |
| 40 | 6312-H69A | . Manifold Pressure/Fuel Flow Indicator | 1 | | | | X | | | |
| 50 | 5934 | . Altimeter | 1 | | | | X | | X | |
| 60 | 8000 CODE B251 | . Airspeed Indicator | 1 | | | | X | | X | |
| 70 | 65-29B | . Tachometer | 1 | | | | X | | | |
| 80 | ECD071-11 | . Instrument Panel | 1 | | | | X | | | |
| 80 | 22-169-09-1L | . Instrument Cluster (Replaced by ECD071-11) | 1 | | | | X | | | |
| 90 | ECD071-3 | . . Fuel Quantity Gauge | 1 | | | | X | | | |
| 90 | 169E-910-14-4L | . . Fuel Quantity Gauge (Replaced by ECD071-3) | 1 | | | | X | | | |
| 100 | ECD071-6 | . . Engine Oil Pressure Gauge | 1 | | | | X | | | |
| 100 | 169E-914-1L | . . Engine Oil Pressure Gauge (Replaced by ECD071-6) | 1 | | | | X | | | |
| 110 | ECD071-4 | . . MRGB Oil Temperature Gauge | 1 | | | | X | | | |
| 110 | 169E-910-15L | . . MRGB Oil Temperature Gauge (Replaced by ECD071-4) | 1 | | | | X | | | |
| 120 | ECD071-7 | . . Engine Oil Temperature Gauge | 1 | | | | X | | | |
| 120 | 169E-910-11L | . . Engine Oil Temperature Gauge (Replaced by ECD071-7) | 1 | | | | X | | | |
| 130 | ECD071-5 | . . Ammeter | 1 | | | | X | | | |
| 130 | 169E-909-2L | . . Ammeter (Replaced by ECD071-5) | 1 | | | | X | | | |
| 140 | ECD071-8 | . . Engine Cylinder Temperature Gauge | 1 | | | | X | | | |
| 140 | 169E-910-12L | . . Engine Cylinder Temperature Gauge (Replaced by ECD071-8) | 1 | | | | X | | | |

ENSTROM F-28/280 SERIES ILLUSTRATED PARTS CATALOG

FIGURE 11-3. 280C AND 280F INSTRUMENT PANEL INSTALLATION

| ITEM NUMBER | PART NUMBER | DESCRIPTION | QTY PER ASSY | MODELS AFFECTED | | | | | | |
|-------------|------------------|---|--------------|-----------------|-----|-------|------|-------|------|-------|
| | | | | F-28A | 280 | F-28C | 280C | F-28F | 280F | 280FX |
| 150 | 20TC2-CA-3 | . Panel Light Circuit Breaker Switch | 1 | | | | X | | X | |
| 160 | 10-357290-1 | . Ignition Switch | 1 | | | | X | | X | |
| 170 | 20TC2-CA-5 | . Anti-Collision Light Circuit Breaker Switch | 1 | | | | X | | X | |
| 180 | 20TC2-CA-7.5 | . Boost Pump Circuit Breaker Switch | 1 | | | | X | | X | |
| 190 | 20TC2-CA-20 | . Landing Light Circuit Breaker Switch | 1 | | | | X | | X | |
| 200 | MP-160-012-70 | . Alternator Circuit Breaker 70 Amp | 1 | | | | X | | X | |
| — | 507-507-101 | . Alternator Exciter Circuit Breaker | 1 | | | | X | | X | |
| 210 | 20TC2-CA-7.5 | . Trim Motor Circuit Breaker Switch | 1 | | | | X | | X | |
| 220 | 1500-052-1 | . Instrument Circuit Breaker | 1 | | | | X | | X | |
| 230 | 20TC2-CA-7.5 | . Ignition Circuit Breaker Switch | 1 | | | | X | | X | |
| 240 | NO NUMBER | . Fuel Pressure Warning System | 1 | | | | X | | X | |
| — | 804-1710-0332-5 | . Indicator Light (Green) | 1 | | | | X | | X | |
| — | 803-1710-0331-5 | . Indicator Light (Red) | 1 | | | | X | | X | |
| — | 1815 | . Bulb | 1 | | | | X | | X | |
| 250 | 280-180004 | . Switch Panel | 1 | | | | X | | X | |
| 260 | 280-180004-21 | . Instrument Panel | 1 | | | | X | | X | |
| 270 | 28-18036-9 | . Filler Plate 3.08" Diameter | A/R | | | | X | | X | |
| 280 | 222 | . Kendall Cloth Tape | A/R | | | | X | | X | |
| — | C-2400L4VW-AB-RG | . Compass | 1 | | | | X | | X | |
| — | 1592-30 | . Scott Outside Air Temperature Gauge | 1 | | | | X | | X | |
| 290 | A8970B-1-330 | . Instrument Light | A/R | | | | X | | X | |
| — | 330 | . Instrument Light Bulb | A/R | | | | X | | X | |
| — | 22-370-60 | . Shunt, 50 Millivolt | 1 | | | | X | | X | |
| 300 | 2904-33 | . Oil Pressure Switch | 1 | | | | X | | X | |
| 310 | 1040 | . Ball Bank Indicator | 1 | | | | X | | X | |

ENSTROM F-28/280 SERIES ILLUSTRATED PARTS CATALOG

FIGURE 11-3. 280C AND 280F INSTRUMENT PANEL INSTALLATION

| ITEM NUMBER | PART NUMBER | DESCRIPTION | QTY PER ASSY | MODELS AFFECTED | | | | | | |
|-------------|----------------|---|--------------|-----------------|-----|-------|------|-------|------|-------|
| | | | | F-28A | 280 | F-28C | 280C | F-28F | 280F | 280FX |
| 320 | KN500B1/8 | . Knob | 1 | | | | X | | X | |
| - | 0110 | . Rheostat | 1 | | | | X | | X | |
| -† | 28-18082-1 | . Rheostat | 1 | | | | X | | X | |
| 330 | 202A-13BTR | . EGT Gauge | 1 | | | | X | | X | |
| 340 | B-4855B-330 | . Instrument Light | A/R | | | | X | | X | |
| -* | 41EN-G3-2311 | . Starter Engaged Warning Light (Red) | 1 | | | | X | | X | |
| -* | 41EN-G3-2311 | . Alternator Discharge Light (Red) | 1 | | | | X | | X | |
| -* | 41EN-G3-2313 | . Low Fuel Light | 1 | | | | X | | X | |
| -* | ECD077-11 | . Manifold/Fuel Pressure | 1 | | | | X | | X | |
| -* | ECD078-11 | . Pressure Switch | 1 | | | | | | X | |
| -*▲ | ECD079-11 | . Pressure Switch | 1 | | | | X | | | |
| -* | ECD072-11 | . Tachometer | 1 | | | | | | X | |
| -* | ECD071-11 | . Instrument Cluster | 1 | | | | | | X | |
| -* | ECD071-3 | . . Fuel Quantity Gauge | 1 | | | | | | X | |
| -* | 169E-910-14-5L | . . Fuel Quantity Gauge (Replaced by ECD071-3) | 1 | | | | | | X | |
| -* | ECD071-6 | . . Engine Oil Pressure Gauge | 1 | | | | | | X | |
| -* | 169E-914-2L | . . Engine Oil Pressure Gauge (Replaced by ECD071-6) | 1 | | | | | | X | |
| -* | ECD071-4 | . . MRGB Oil Temperature Gauge | 1 | | | | | | X | |
| -* | 169E-910-15-1L | . . MRGB Oil Temperature Gauge (Replaced by ECD071-4) | 1 | | | | | | X | |
| -* | ECD071-7 | . . Engine Oil Temperature Gauge | 1 | | | | | | X | |
| -* | 169E-910-11-3L | . . Engine Oil Temperature Gauge (Replaced by ECD071-7) | 1 | | | | | | X | |
| -* | ECD071-5 | . . Ammeter | 1 | | | | | | X | |
| -* | 169E-909-3L | . . Ammeter (Replaced by ECD071-5) | 1 | | | | | | X | |
| -* | ECD071-8 | . . Engine Cylinder Temperature Gauge | 1 | | | | | | X | |

ENSTROM F-28/280 SERIES ILLUSTRATED PARTS CATALOG

FIGURE 11-3. 280C AND 280F INSTRUMENT PANEL INSTALLATION

| ITEM NUMBER | PART NUMBER | DESCRIPTION | QTY PER ASSY | MODELS AFFECTED | | | | | | |
|-------------|----------------|--|--------------|-----------------|-----|-------|------|-------|------|-------|
| | | | | F-28A | 280 | F-28C | 280C | F-28F | 280F | 280FX |
| -* | 169E-910-12-1L | Engine Cylinder Temperature Gauge (Replaced by ECD071-8) | 1 | | | | | | X | |

◆ Information contained herein represents components as installed at the time of manufacture.

∞ 280C and 280F S/N 1149 and subsequent.

† 280C and 280F S/N 1161 and subsequent.

* Optional equipment.

▲ Without pop off valve.

ENSTROM F-28/280 SERIES ILLUSTRATED PARTS CATALOG

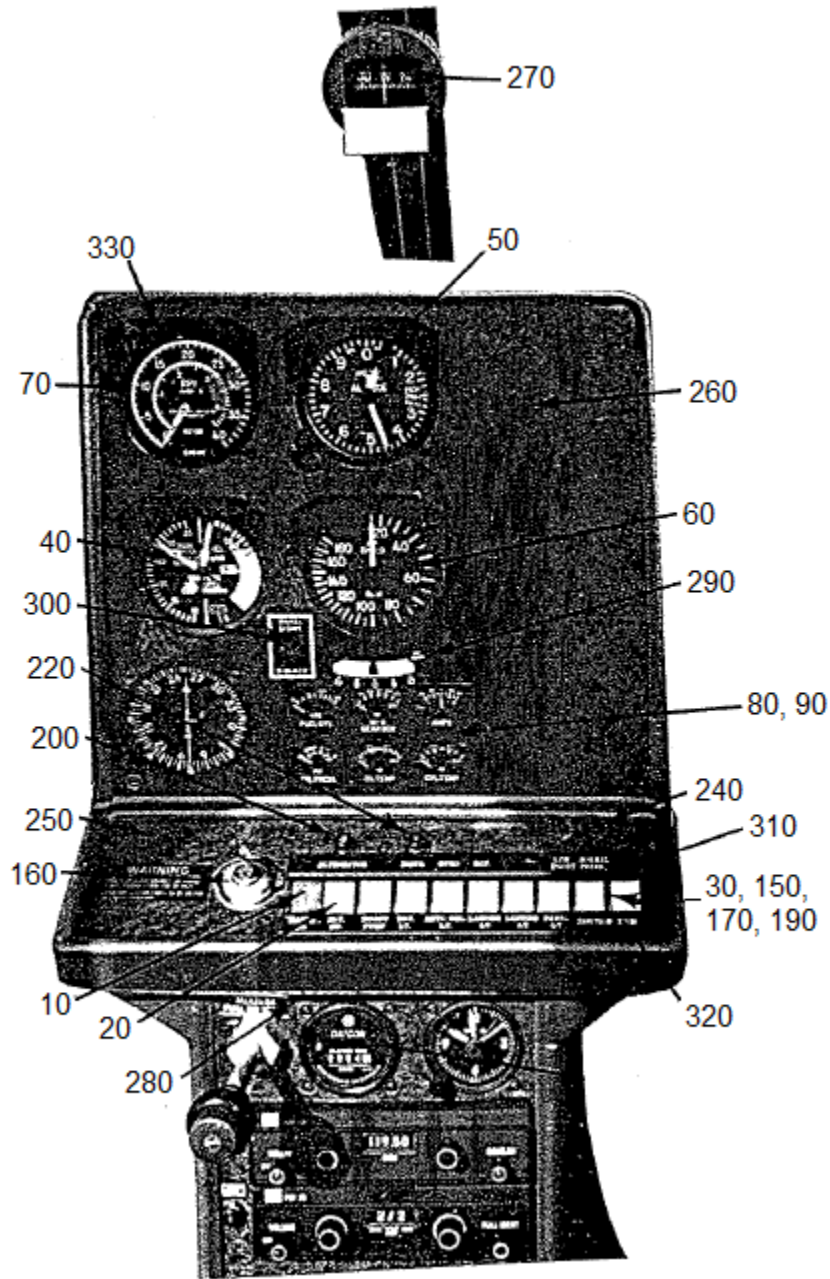


FIGURE 11-4. 280 INSTRUMENT PANEL INSTALLATION

ENSTROM F-28/280 SERIES ILLUSTRATED PARTS CATALOG

FIGURE 11-4. 280 INSTRUMENT PANEL INSTALLATION

| ITEM NUMBER | PART NUMBER | DESCRIPTION | QTY PER ASSY | MODELS AFFECTED | | | | | | |
|-------------|----------------|---|--------------|-----------------|-----|-------|------|-------|------|-------|
| | | | | F-28A | 280 | F-28C | 280C | F-28F | 280F | 280FX |
| —* | 280-180000 | Instrument Installation | REF | | X | | | | | |
| 10 | 8134K21A1T50 | . Master Switch | 1 | | X | | | | | |
| 20 | 8134K21A1M50 | . Alternator Switch | 1 | | X | | | | | |
| 30 | 20TC2-CA-7.5 | . Navigation Light Circuit Breaker Switch | 1 | | X | | | | | |
| 40 | U16082-H61 | . Manifold Pressure Gauge | 1 | | X | | | | | |
| —40A | 6312-H69 | . Manifold Pressure Gauge | 1 | | | | X | | | |
| 50 | 5934 | . Altimeter | 1 | | X | | | | | |
| 60 | 8000T | . Airspeed Indicator | 1 | | X | | | | | |
| —60A | 8000-B251 | . Airspeed Indicator | 1 | | | | X | | | |
| 70 | 65-29AP | . Tachometer | 1 | | X | | | | | |
| —70A | 65-29B | . Tachometer | 1 | | | | X | | | |
| 80 | ECD071-11 | . Instrument Cluster | 1 | | X | | | | | |
| 80 | 22-169-09-1L | . Engine Instrument Cluster (Replaced by ECD071-11) | 1 | | X | | | | | |
| 90 | ECD071-3 | . . Fuel Quantity Gauge | 1 | | X | | | | | |
| 90 | 169E-910-14-4L | . . Fuel Quantity Gauge (Replaced by ECD071-3) | 1 | | X | | | | | |
| 100 | ECD071-6 | . . Engine Oil Pressure Gauge | 1 | | X | | | | | |
| 100 | 169E-914-1L | . . Engine Oil Pressure Gauge (Replaced by ECD071-6) | 1 | | X | | | | | |
| 110 | ECD071-4 | . . MRGB Oil Temperature Gauge | 1 | | X | | | | | |
| 110 | 169E-910-15L | . . MRGB Oil Temperature Gauge (Replaced by ECD071-4) | 1 | | X | | | | | |
| 120 | ECD071-7 | . . Engine Oil Temperature Gauge | 1 | | X | | | | | |
| 120 | 169E-910-11L | . . Engine Oil Temperature Gauge (Replaced by ECD071-7) | 1 | | X | | | | | |
| 130 | ECD071-5 | . . Ammeter | 1 | | X | | | | | |
| 130 | 169E-909-2L | . . Ammeter (Replaced by ECD071-5) | 1 | | X | | | | | |
| 140 | ECD071-8 | . . Engine Cylinder Temperature Gauge | 1 | | X | | | | | |

ENSTROM F-28/280 SERIES ILLUSTRATED PARTS CATALOG

FIGURE 11-4. 280 INSTRUMENT PANEL INSTALLATION

| ITEM NUMBER | PART NUMBER | DESCRIPTION | QTY PER ASSY | MODELS AFFECTED | | | | | | |
|-------------|-------------------|--|--------------|-----------------|-----|-------|------|-------|------|-------|
| | | | | F-28A | 280 | F-28C | 280C | F-28F | 280F | 280FX |
| 140 | 169E-910-12L | . Engine Cylinder Temperature Gauge (Replaced by ECD071-8) | 1 | | X | | | | | |
| 150 | 20TC2-CA-3 | . Panel Light Circuit Breaker | 1 | | X | | | | | |
| 160 | 20TC2-CA-7.5 | . Ignition Switch | 1 | | X | | | | | |
| 170 | 20TC2-CA-5 | . Anti-Collision Light Circuit Breaker Switch | 1 | | X | | | | | |
| 180 | 20TC2-CA-7.5 | . Boost Pump Circuit Breaker Switch | 1 | | X | | | | | |
| 190 | 20TC2-CA-20 | . Landing Light Circuit Breaker Switch | 1 | | X | | | | | |
| 200 | MP-160-012-70 | . Alternator Circuit Breaker 70 Amp | 1 | | X | | | | | |
| 210 | 20TC2-CA-7.5 | . Trim Motor Circuit Breaker | 1 | | X | | | | | |
| 220 | 1500-052-1 | . Instrument Breaker | 1 | | X | | | | | |
| 230 | 20TC2-CA-7.5 | . Ignition Circuit Breaker | 1 | | X | | | | | |
| 240 | 804-1710-0332-504 | . Fuel Pressure Warning System Indicator Light (Green) | 1 | | X | | | | | |
| - | 803-1710-0331-504 | . Indicator Light (Red) | 1 | | X | | | | | |
| 250 | 280-180004-19 | . Switch Panel | 1 | | X | | | | | |
| 260 | 280-180004-21 | . Instrument Panel | 1 | | X | | | | | |
| - | 28-18036-10 | . Filler Plate | 1 | | X | | | | | |
| - | 222 | . Kendall Polyken Cloth Tape | A/R | | X | | | | | |
| 270 | C-2400L4VW-AB-RG | . Airpath Compass | 1 | | X | | | | | |
| - | 330 | . Compass Bulb | A/R | | X | | | | | |
| - | 1592-30 | . Scott Outside Air Temperature Gauge | 1 | | X | | | | | |
| 280 | A8970B-1-330 | . Instrument Light | 1 | | X | | | | | |
| - | 330 | . Instrument Bulb | A/R | | X | | | | | |
| - | 22-370-60 | . Shunt, 50 Millivolt | 1 | | X | | | | | |
| - | 2904-33F5 | . Pressure Switch | 1 | | X | | | | | |
| 290 | 1040 | . Ball Bank Indicator | 1 | | X | | | | | |

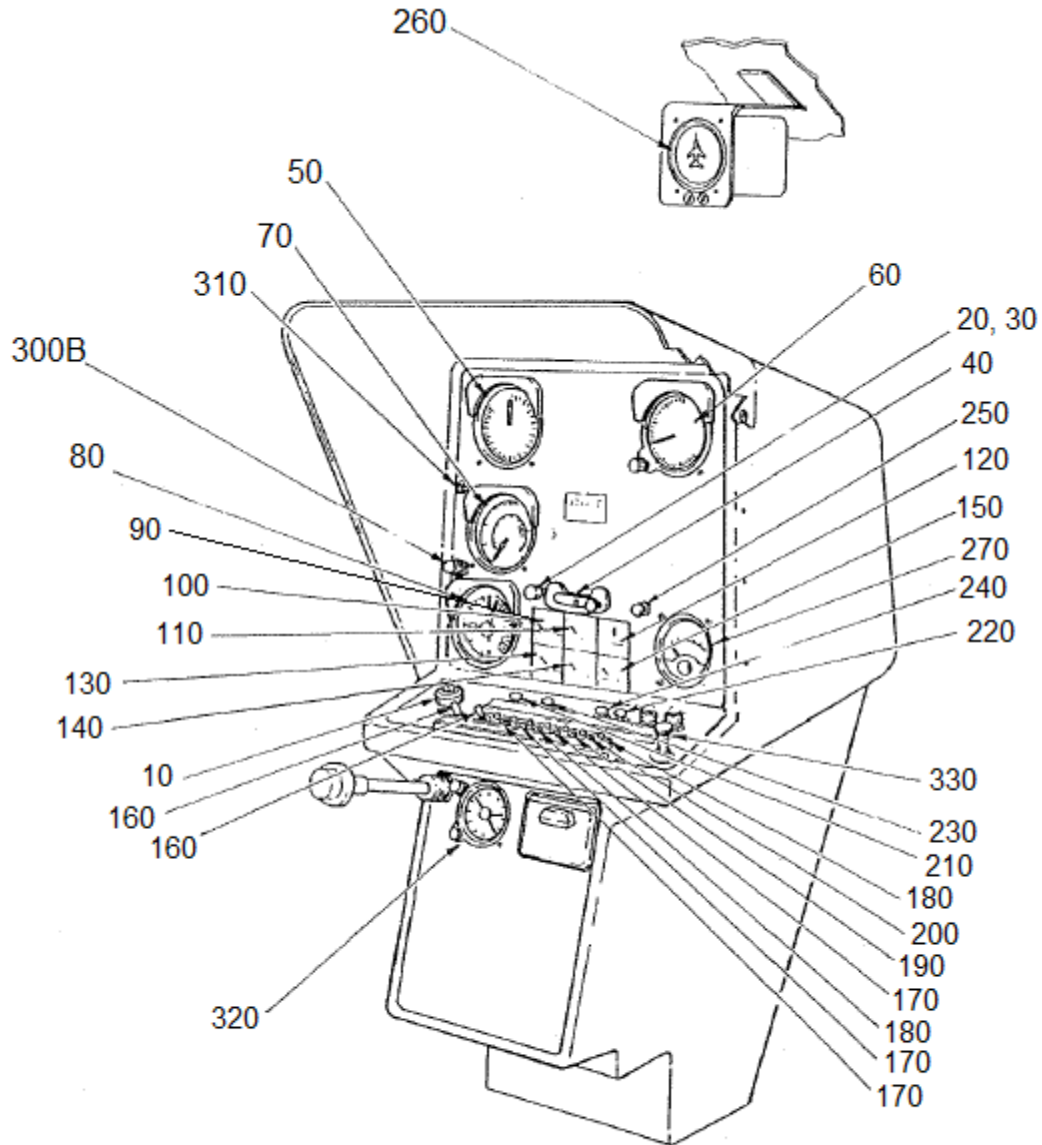
ENSTROM F-28/280 SERIES ILLUSTRATED PARTS CATALOG

FIGURE 11-4. 280 INSTRUMENT PANEL INSTALLATION

| ITEM NUMBER | PART NUMBER | DESCRIPTION | QTY PER ASSY | MODELS AFFECTED | | | | | | |
|-------------|--------------|-----------------------|--------------|-----------------|-----|-------|------|-------|------|-------|
| | | | | F-28A | 280 | F-28C | 280C | F-28F | 280F | 280FX |
| 300 | 0110 | . Rheostat | 1 | | X | | | | | |
| - | KN500B1/8 | . Knob | 1 | | X | | | | | |
| - | 35-140-A | . EGT Gauge | 1 | | X | | | | | |
| - | 202A-1ATR | . EGT Gauge | 1 | | X | | | | | |
| 310 | 280-180005-2 | . Panel Light (Upper) | 1 | | X | | | | | |
| 320 | 280-180005-1 | . Panel Light (Lower) | 1 | | X | | | | | |
| 330 | B-4855B-330 | . Eyebrow Light | A/R | | X | | | | | |

* Information contained herein represents components as installed at the time of manufacture.

ENSTROM F-28/280 SERIES ILLUSTRATED PARTS CATALOG



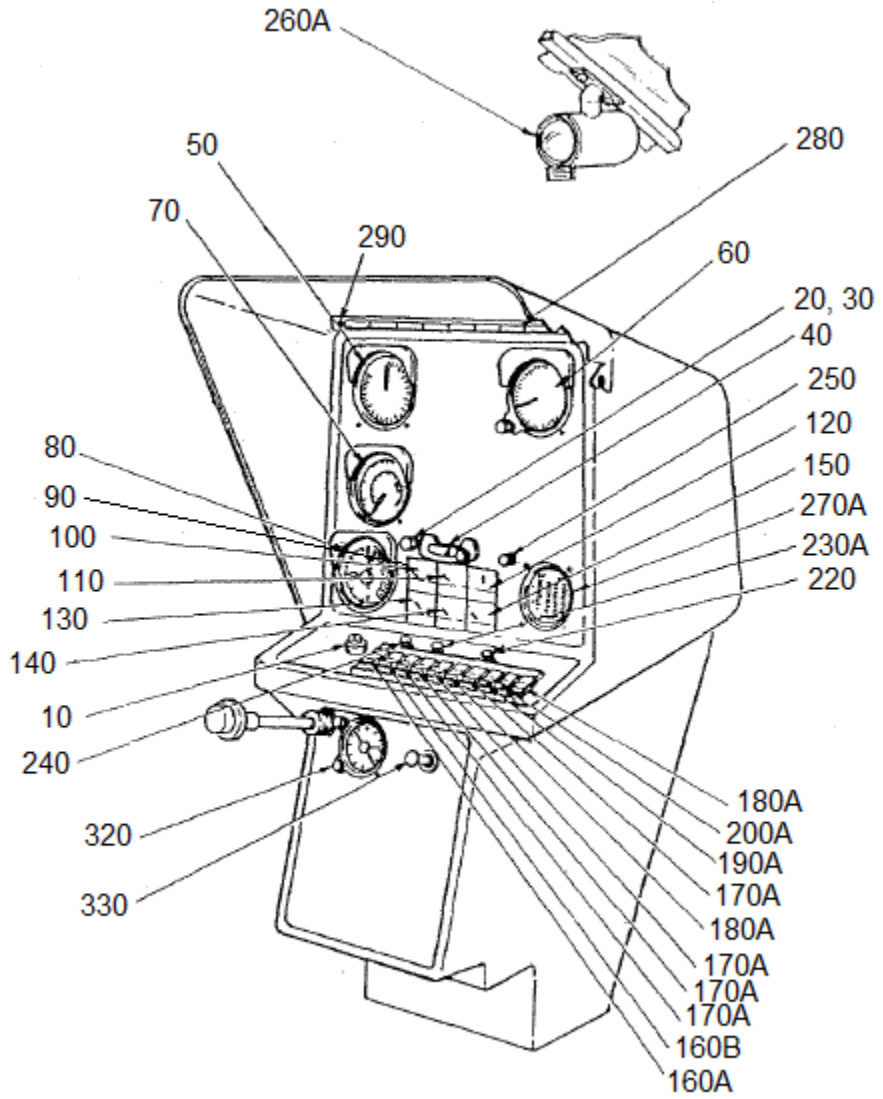
F-28F INSTRUMENT PANEL INSTALLATION (12V)

Sheet 1 of 2

FIGURE 11-5. F-28F AND 280FX INSTRUMENT PANEL INSTALLATION (12V)

UNCONTROLLED COPY WHEN DOWNLOADED OR PRINTED

ENSTROM F-28/280 SERIES ILLUSTRATED PARTS CATALOG



280FX INSTRUMENT PANEL INSTALLATION (12V)

FIGURE 11-5. F-28F AND 280FX INSTRUMENT PANEL INSTALLATION (12V)

UNCONTROLLED COPY WHEN DOWNLOADED OR PRINTED

ENSTROM F-28/280 SERIES ILLUSTRATED PARTS CATALOG

FIGURE 11-5. F-28F AND 280FX INSTRUMENT PANEL INSTALLATION (12V)

| ITEM NUMBER | PART NUMBER | DESCRIPTION | QTY PER ASSY | MODELS AFFECTED | | | | | | |
|-------------|---------------|---|--------------|-----------------|-----|-------|------|-------|------|-------|
| | | | | F-28A | 280 | F-28C | 280C | F-28F | 280F | 280FX |
| - | 28-18099-101 | Instrument Panel 280FX Wide 12V | REF | | | | | | X | X |
| - | 28-18099-111 | Instrument Panel F28F Wide 12V | REF | | | | | X | | |
| - | 28-18099-119 | Instrument Panel F28F Narrow 12V | REF | | | | | X | | |
| - | 28-18099-125 | Instrument Panel 280FX Narrow 12V | REF | | | | | | X | X |
| 10 | 10-357290-1 | . Ignition Switch | 1 | | | | | X | X | X |
| 20 | 28-18082-9 | . Panel Dimmer Control | 1 | | | | | X | X | X |
| 30 | KN500B1/8 | . Knob | 1 | | | | | X | X | X |
| 40 | 1040 | . Ball Bank Indicator | 1 | | | | | X | X | X |
| - | MS35214-30 | . Screw | 1 | | | | | X | X | X |
| - | AN515B-6-R14 | . Screw (Superseded by MS35214-30) | 1 | | | | | X | X | X |
| - | NAS1149FN616P | . Washer (Alternate) | 1 | | | | | X | X | X |
| - | AN960-6L | . Washer | 1 | | | | | X | X | X |
| - | MS35338-41 | . Washer (Alternate) | 1 | | | | | X | X | X |
| - | AN935-6 | . Lock Washer | 1 | | | | | X | X | X |
| - | MS35649-262 | . Nut | 1 | | | | | X | X | X |
| - | AN340-632 | . Nut (Superseded by MS35649-262) | 1 | | | | | X | X | X |
| -▼ | A8970B-1-330 | . Post Light (Clear) | 1 | | | | | X | X | X |
| - | 28-19031 | Electrical Final Assembly | REF | | | | | X | X | X |
| - | 28-22344-5 | . Hour Meter Installation | 1 | | | | | X | X | X |
| - | T14BH517BC | . . Hour Meter 8-32V | 1 | | | | | X | X | X |
| - | 773-4/50 VDC | . . Hour Meter (Superseded by T14BH517BC) | 1 | | | | | X | | |
| - | 773-8/50 VDC | . . Hour Meter (Superseded by T14BH517BC) | 1 | | | | | | X | X |
| - | 2716-00 | . Outside Air Temp. | 1 | | | | | X | X | X |
| - | 1592-30 | . Outside Air Temp. (Superseded by 2716-00) | 1 | | | | | X | X | X |
| 50 | 8000-B.852 | . Airspeed Indicator (Narrow) | 1 | | | | | X | | |

UNCONTROLLED COPY WHEN DOWNLOADED OR PRINTED

ENSTROM F-28/280 SERIES ILLUSTRATED PARTS CATALOG

FIGURE 11-5. F-28F AND 280FX INSTRUMENT PANEL INSTALLATION (12V)

| ITEM NUMBER | PART NUMBER | DESCRIPTION | QTY PER ASSY | MODELS AFFECTED | | | | | | |
|-------------|-------------------|---|--------------|-----------------|-----|-------|------|-------|------|-------|
| | | | | F-28A | 280 | F-28C | 280C | F-28F | 280F | 280FX |
| 50 | 8000 B.786 | . Airspeed Indicator (Narrow) (Alternate to 8000-B.852) | 1 | | | | | X | | |
| 50 | 8000-B160 | . Airspeed Indicator (Superseded by 8000-B.852) | 1 | | | | | X | | |
| 50A | 8000-B.853 | . Airspeed Indicator (Narrow) | 1 | | | | | | X | X |
| 50B | 8000-B251 | . Airspeed Indicator (Superseded by 8000-B.852 and 8000-B.853) | 1 | | | | | X | X | X |
| 60 | 5934PD-3-A.253 | . Altimeter | 1 | | | | | X | X | X |
| 60 | UI-5934-1 | . Altimeter (Superseded by 5934PD-3-A.253) | 1 | | | | | X | X | X |
| 70 | ECD072-11 | . Tachometer | 1 | | | | | X | X | X |
| 80 | ECD077-11 | . Manifold Pressure | 1 | | | | | X | X | X |
| 90 | ECD071-11 | . Instrument Cluster (Lighted) | 1 | | | | | X | X | X |
| 100 | ECD071-3 | . . Fuel Quantity Gauge | 1 | | | | | X | X | X |
| 110 | ECD071-4 | . . Oil Temp MRGB Gauge | 1 | | | | | X | X | X |
| 120 | ECD071-5 | . . Ammeter Gauge | 1 | | | | | X | X | X |
| 130 | ECD071-6 | . . Engine Oil Pressure Gauge | 1 | | | | | X | X | X |
| 140 | ECD071-7 | . . Engine Oil Temperature Gauge | 1 | | | | | X | X | X |
| 150 | ECD071-8 | . . Cylinder Temperature Gauge | 1 | | | | | X | X | X |
| - | B-4855B-330 | . Eyebrow Light | 4 | | | | | X | X | X |
| - | 330 | . Bulb | A/R | | | | | X | X | X |
| -▼△ | 803-1710-0331-504 | . Indicator Light (Red) | A/R | | | | | X | X | |
| -◇ | 804-1710-0332-504 | . Indicator Light (Green) | A/R | | | | | X | X | |
| - | 1815 | . Bulb | A/R | | | | | X | X | X |
| 160 | 12TS15-2 | . Toggle Switch | 2 | | | | | X | | |
| 160 | 12T35-2 | . Master Switch (Toggle) (Superseded by 12TS15-2) | 1 | | | | | X | | |
| 160A | TIGK54-1S-RD-A | . Master Switch (Rocker) | 1 | | | | | | X | X |
| 160B | TIGK54-1S-WH-A | . Alternator Switch (Rocker) | 1 | | | | | | X | X |
| 170 | 7270-1-7 1/2 | . Circuit Breaker Switch (7.5A) | 3 | | | | | X | | |
| 170A | 20TC2-CA-7.5 | . Circuit Breaker (7.5A) | 4 | | | | | | X | |

UNCONTROLLED COPY WHEN DOWNLOADED OR PRINTED

ENSTROM F-28/280 SERIES ILLUSTRATED PARTS CATALOG

FIGURE 11-5. F-28F AND 280FX INSTRUMENT PANEL INSTALLATION (12V)

| ITEM NUMBER | PART NUMBER | DESCRIPTION | QTY PER ASSY | MODELS AFFECTED | | | | | | |
|-------------|--------------------|---|--------------|-----------------|-----|-------|------|-------|------|-------|
| | | | | F-28A | 280 | F-28C | 280C | F-28F | 280F | 280FX |
| 180 | 7270-1-5 | . Circuit Breaker (5A) | 2 | | | | | X | | |
| 180A | 20TC2-CA-5 | . Circuit Breaker (5A) | 2 | | | | | | X | X |
| 190 | 7270-1-3 | . Circuit Breaker (3A) | 1 | | | | | X | | |
| 190A | 20TC2-CA-3 | . Circuit Breaker (3A) | 1 | | | | | | X | X |
| 200 | 7270-1-20 | . Circuit Breaker (20A) | 1 | | | | | X | | |
| 200A | 20TC2-CA-20 | . Circuit Breaker (20A) | 1 | | | | | | X | X |
| 210 | MP-160-012-70 | . Circuit Breaker Switch (70A) | 1 | | | | | X | X | X |
| 220 | MS26574-7 1/2 | . Circuit Breaker (12V) | 1 | | | | | X | X | X |
| 220 | 507-507-101 (7.5A) | . Circuit Breaker (Alt. Exciter) (Superseded by MS26574-7 1/2) | 1 | | | | | X | X | X |
| 230 | MS26574-2 1/2 | . Circuit Breaker (2 1/2A) | 1 | | | | | X | X | |
| 230 | 1500-052-205 | . Circuit Breaker (2.5A) (Superseded by MS26574-2 1/2) | 1 | | | | | X | X | |
| 230A | 1500-052-1 | . Circuit Breaker (1A) | 1 | | | | | | | X |
| 240 | MS26574-20 | . Circuit Breaker (20A) | 1 | | | | | X | X | X |
| 240 | 700-001-20 | . Circuit Breaker (20A) (Superseded by MS26574-20) | 1 | | | | | X | X | X |
| 250* | 1500-052-2 | . Circuit Breaker (Alternate) | 1 | | | | | X | X | X |
| 250 | 3MC1-3-2 | . Buss Fault Circuit Breaker | 1 | | | | | X | X | X |
| - | 28-18084-5 | Magnetic Compass Instl. | REF | | | | | X | | |
| 260 | PAI-700 | . Compass | 1 | | | | | X | | |
| 260 | H1-400-14 | . Compass (Obsolete) | 1 | | | | | X | | |
| - | 28-19032 | Magnetic Compass Instl. | REF | | | | | | X | X |
| 260A | C2400L4VWAB-RG | . Compass | 1 | | | | | | X | X |
| -▲ | 28-18091-1 | . ID Panel Assembly (Lower) | 1 | | | | | X | | |
| -▲◆ | 28-18091-103 | . ID Panel Assembly (Lower) | 1 | | | | | X | | |
| -▲ | 28-18091-107 | . ID Panel Assembly (Lower) | 1 | | | | | X | | |
| - | 28-18091-133 | . ID Panel Assembly (Lower) | 1 | | | | | X | | |
| - | 28-18069-21 | . Illuminated Panel (Lower) (Narrow) | 1 | | | | | X | X | X |
| -▲ | 28-18091-5 | . ID Panel Assembly (Lower) | 1 | | | | | | X | X |

UNCONTROLLED COPY WHEN DOWNLOADED OR PRINTED

ENSTROM F-28/280 SERIES ILLUSTRATED PARTS CATALOG

FIGURE 11-5. F-28F AND 280FX INSTRUMENT PANEL INSTALLATION (12V)

| ITEM NUMBER | PART NUMBER | DESCRIPTION | QTY PER ASSY | MODELS AFFECTED | | | | | | |
|-------------|--------------|--|--------------|-----------------|-----|-------|------|-------|------|-------|
| | | | | F-28A | 280 | F-28C | 280C | F-28F | 280F | 280FX |
| -▲ | 28-18091-3 | . ID Panel Assembly (Upper) | 1 | | | | | X | | |
| -▲◆ | 28-18091-101 | . ID Panel Assembly (Upper) | 1 | | | | | X | | |
| -▲ | 28-18091-105 | . ID Panel Assembly (Upper) | 1 | | | | | X | | |
| -▲ | 28-18091-109 | . ID Panel Assembly (Upper) | 1 | | | | | X | | |
| -▲ | 28-18091-111 | . ID Panel Assembly (Upper) | 1 | | | | | | | X |
| -▲ | 28-18091-113 | . ID Panel Assembly (Upper) | 1 | | | | | | X | |
| - | 28-18091-131 | . ID Panel Assembly (Upper) | 1 | | | | | X | | |
| - | 28-18069-19 | . Illuminated Panel (Upper) (Narrow) | 1 | | | | | X | X | X |
| - | 22-370-60 | . Shunt (50 M.V.) | 1 | | | | | X | X | X |
| - | 2335-265-1 | . Oil Pressure Switch | 1 | | | | | X | X | X |
| - | 2904-33 | . Oil Pressure Switch (Replaced by 2335-265-1) | 1 | | | | | X | X | X |
| - | ECD078-11 | . Pressure Switch (Overboost) | 1 | | | | | X | X | X |
| - | 28-18036-9 | . Filler Plate | A/R | | | | | X | X | X |
| - | 28-18036-10 | . Filler Plate | A/R | | | | | X | X | X |
| - | 222 | . Cloth Tape | A/R | | | | | X | X | X |
| 270∞ | 202A-13BTR | . E.G.T. | 1 | | | | | X | X | X |
| 270A∞ | 28-01026-3 | . Graphic Engine Monitor (603) | 1 | | | | | X | X | X |
| 270B† | 28-01026-1 | . Graphic Engine Monitor (602) | 1 | | | | | X | X | X |
| 280 | 28-19045-1 | . Annunciator Panel | 1 | | | | | | | X |
| 280A | 28-19045-3 | . Annunciator Panel | 1 | | | | | | | X |
| 280B | 28-19045-5 | . Annunciator Panel | 1 | | | | | | | X |
| 280C | 28-19045-7 | . Annunciator Panel | 1 | | | | | X | | |
| 280D | 28-19045-9 | . Annunciator Panel | 1 | | | | | | | X |
| 290 | 30-1UL | . . Test Switch | 1 | | | | | X | | X |
| 300 | 28-18095-1 | . Overboost Installation | 1 | | | | | X | | X |
| 300A | 28-18095-3 | . Overboost Installation | 1 | | | | | X | | X |
| 300B | 28-18095-6 | . Overboost Installation | 1 | | | | | X | X | X |
| 310 | MS25331-8 | . . Light Assembly (Used with 28- 18095-1 and 28-18095-3) | 1 | | | | | X | X | X |

UNCONTROLLED COPY WHEN DOWNLOADED OR PRINTED

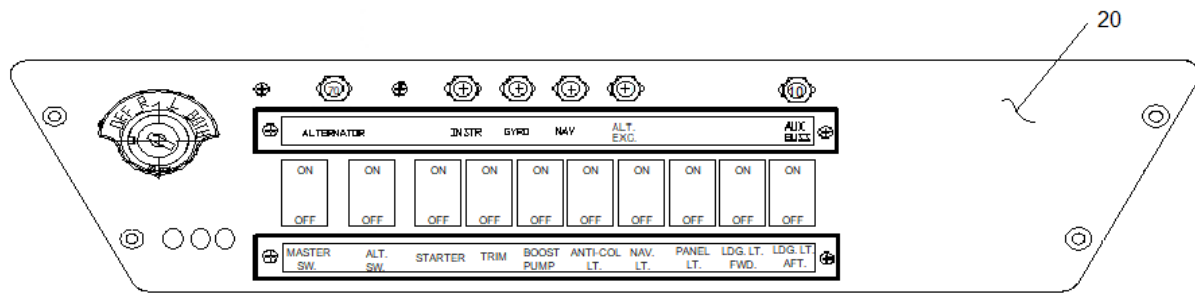
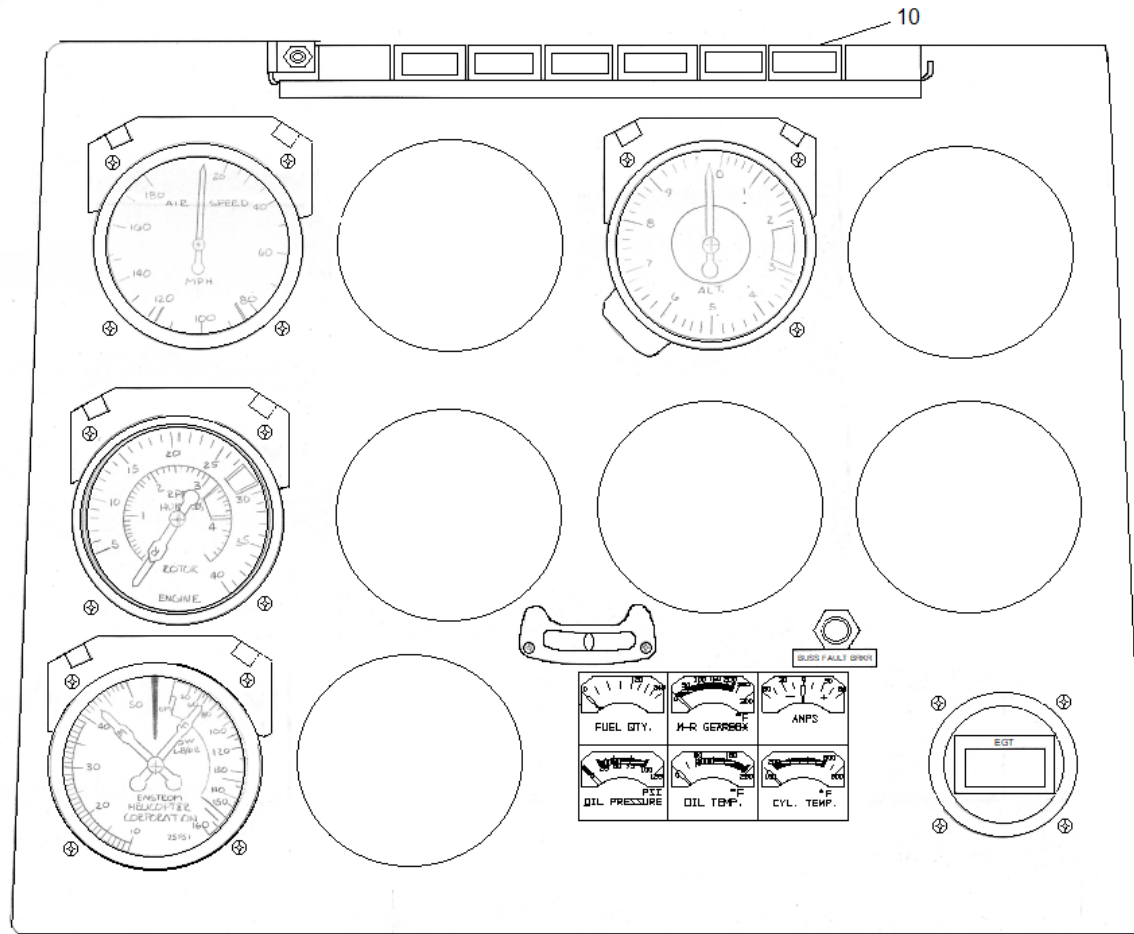
ENSTROM F-28/280 SERIES ILLUSTRATED PARTS CATALOG

FIGURE 11-5. F-28F AND 280FX INSTRUMENT PANEL INSTALLATION (12V)

| ITEM NUMBER | PART NUMBER | DESCRIPTION | QTY PER ASSY | MODELS AFFECTED | | | | | | |
|-------------|-----------------|---------------------------|--------------|-----------------|-----|-------|------|-------|------|-------|
| | | | | F-28A | 280 | F-28C | 280C | F-28F | 280F | 280FX |
| 320† | W33-7516-10ET-1 | . Clock – 8 Day | 1 | | | | | X | X | X |
| 330† | L-141C | . Cigarette Lighter | 1 | | | | | X | X | X |
| -† | 41EN-G3-2311 | . Indicator Light (Red) | 2 | | | | | X | X | X |
| -† | 41EN-G3-2313 | . Indicator Light (Amber) | 1 | X | X | X | X | X | X | X |

- ▼ Preferred replacement part.
- △ Not used on F-28F with annunciator panel.
- ◇ Not used on new F-28F and 280F models.
- * Use 1500-052-2 circuit breaker as an acceptable alternate from F-28F S/N 509 to S/N 814 and 280FX S/N 2001 to S/N 2091.
- ◆ Right hand pilot controls only.
- ▲ Customer Service use only.
- ∞ E.G.T. or Graphic Engine Monitor to be installed per customer order.
- † Customer option.

ENSTROM F-28/280 SERIES ILLUSTRATED PARTS CATALOG



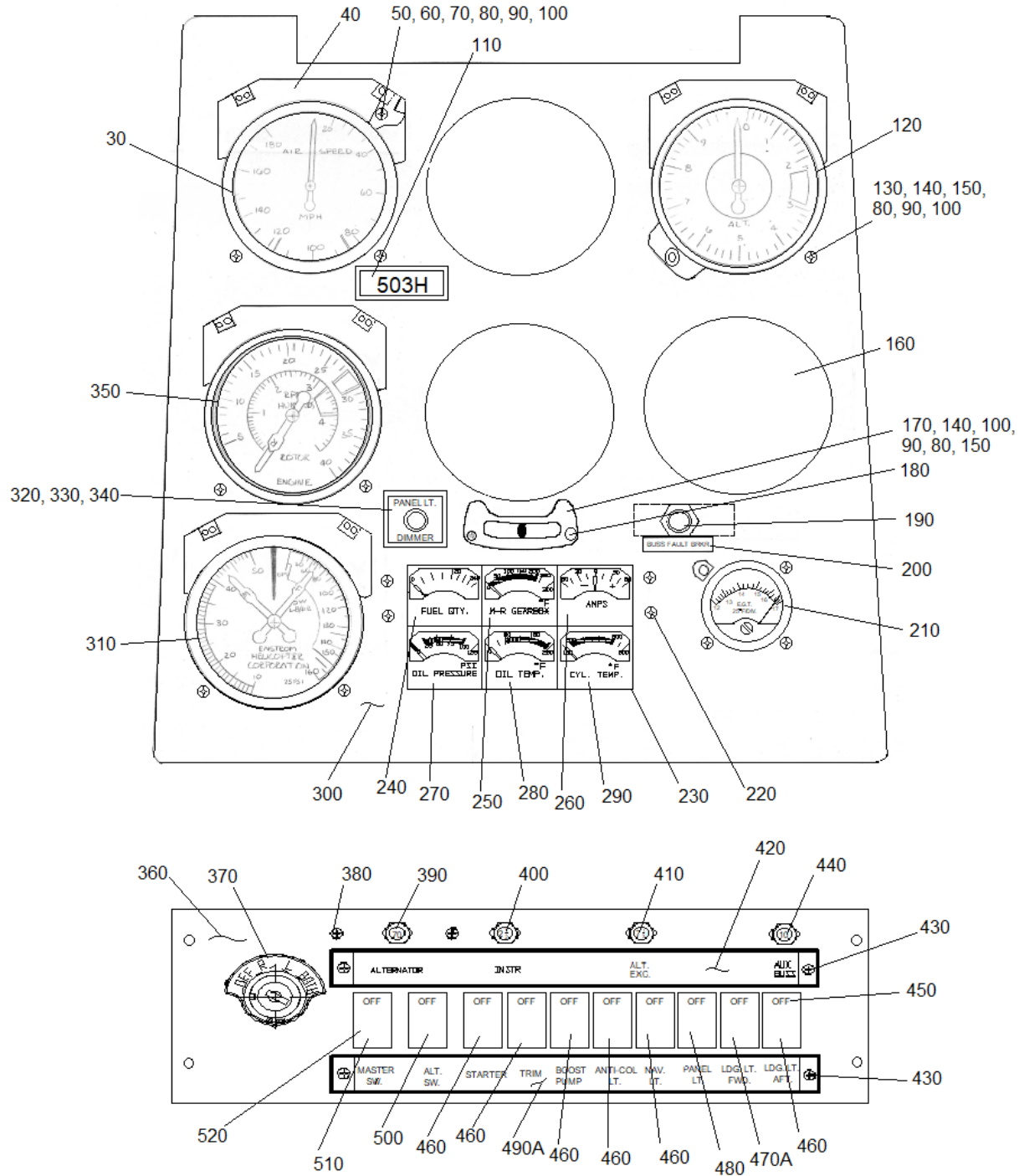
WIDE PANEL CONFIGURATION

Sheet 1 of 2

FIGURE 11-6. F-28F AND 280FX INSTRUMENT PANEL INSTALLATION (24V)

UNCONTROLLED COPY WHEN DOWNLOADED OR PRINTED

ENSTROM F-28/280 SERIES ILLUSTRATED PARTS CATALOG



NARROW PANEL CONFIGURATION

Sheet 2 of 2

FIGURE 11-6. F-28F AND 280FX INSTRUMENT PANEL INSTALLATION (24V)

UNCONTROLLED COPY WHEN DOWNLOADED OR PRINTED

ENSTROM F-28/280 SERIES ILLUSTRATED PARTS CATALOG

FIGURE 11-6. F-28F AND 280FX INSTRUMENT PANEL INSTALLATION (24V)

| ITEM NUMBER | PART NUMBER | DESCRIPTION | QTY PER ASSY | MODELS AFFECTED | | | | | | |
|-------------|---------------|--------------------------------------|--------------|-----------------|-----|-------|------|-------|------|-------|
| | | | | F-28A | 280 | F-28C | 280C | F-28F | 280F | 280FX |
| - | 28-18099-3 | Instrument Installation 24V (Wide) | REF | | | | | X | | X |
| - | 28-18099-7 | Instrument Installation 24V (Narrow) | REF | | | | | X | | X |
| 10 | 28-19041 | . Annunciator System | 1 | | | | | X | | X |
| 20 | 28-18156-1 | . Switch Panel F-28F (Wide) | 1 | | | | | X | | |
| -20A | 28-18156-3 | . Switch Panel 280FX (Wide) | 1 | | | | | | | X |
| 30 | 8000-B251 | . Airspeed Indicator | 1 | | | | | X | | X |
| 40 | B-4855B-330 | . Grimes Lt. | 4 | | | | | X | | X |
| 50 | MS35214-29 | . Screw | 4 | | | | | X | | X |
| 50 | AN515B-6-R12 | . Screw (Superseded by MS35214-29) | 4 | | | | | X | | X |
| 60 | MS35214-31 | . Screw | 4 | | | | | X | | X |
| 60 | AN515B-6-R16 | . Screw (Superseded by MS35214-31) | 4 | | | | | X | | X |
| 70 | A8943-632-493 | . Nut | 6 | | | | | X | | X |
| 80 | MS35649-262 | . Nut | 5 | | | | | X | | X |
| 80 | AN340-632 | . Nut (Superseded by MS35649-262) | 5 | | | | | X | | X |
| 90 | MS35338-41 | . Washer (Alternate) | 5 | | | | | X | | X |
| 90 | AN935-6 | . Lock Washer | 5 | | | | | X | | X |
| 100 | NAS1149FN616P | . Washer (Alternate) | 5 | | | | | X | | X |
| 100 | AN960-6L | . Washer | 5 | | | | | X | | X |
| 110 | 28-180020-11 | . Registration I.D. Panel | 1 | | | | | X | | X |
| 120 | UI5934-3 | . Altimeter | 1 | | | | | X | | X |
| 130 | MS35214-109 | . Screw | 4 | | | | | X | | X |
| 130 | AN515B-6-R18 | . Screw (Superseded by MS35214-109) | 4 | | | | | X | | X |
| 140 | MS35214-30 | . Screw | 3 | | | | | X | | X |
| 140 | AN515B-6-R14 | . Screw (Superseded by MS35214-30) | 3 | | | | | X | | X |
| 150 | A8944-632-493 | . Nut | 2 | | | | | X | | X |
| 160 | 280-180004-25 | . Plug | 3 | | | | | X | | X |

UNCONTROLLED COPY WHEN DOWNLOADED OR PRINTED

ENSTROM F-28/280 SERIES ILLUSTRATED PARTS CATALOG

FIGURE 11-6. F-28F AND 280FX INSTRUMENT PANEL INSTALLATION (24V)

| ITEM NUMBER | PART NUMBER | DESCRIPTION | QTY PER ASSY | MODELS AFFECTED | | | | | | |
|-------------|----------------|--|--------------|-----------------|-----|-------|------|-------|------|-------|
| | | | | F-28A | 280 | F-28C | 280C | F-28F | 280F | 280FX |
| 170 | 1040 | . Ball Bank Indicator | 1 | | | | | X | | X |
| 180 | A8970B-1-330 | . Post Lt. | 1 | | | | | X | | X |
| *190 | 1500-052-2 | . Circuit Breaker (Alternate) | 1 | | | | | X | | X |
| 190 | 3MC1-3-2 | . Circuit Breaker | 1 | | | | | X | | X |
| 200 | 28-18081-11 | . Placard | 1 | | | | | X | | X |
| 210 | 28-181005-1 | . Turbine Inlet Installation | 1 | | | | | X | | X |
| 220 | MS35214-25 | . Screw | 4 | | | | | X | | X |
| 220 | AN515B-6-R6 | . Screw (Superseded by MS35214-25) | 4 | | | | | X | | X |
| 230 | ECD071-15 | . Instrument Panel | 1 | | | | | X | | X |
| 230 | ECD071-11 | . Instrument Cluster (Superseded by ECD071-15) | 1 | | | | | X | | X |
| 240 | ECD071-103 | . . Fuel Qty. Gauge | 1 | | | | | X | | X |
| 250 | ECD071-104 | . . Oil Temp. MRGB Gauge | 1 | | | | | X | | X |
| 260 | ECD071-105 | . . Ammeter Gauge | 1 | | | | | X | | X |
| 270 | ECD071-106 | . . Eng. Oil Press. Gauge | 1 | | | | | X | | X |
| 280 | ECD071-107 | . . Eng. Oil Temp. Gauge | 1 | | | | | X | | X |
| 290 | ECD071-108 | . . Cylinder Temp. Gauge | 1 | | | | | X | | X |
| 300 | 280-180003-3 | . Chassis Assembly | 1 | | | | | X | | X |
| 310 | ECD077-11 | . Man./Fuel Pressure Gauge | 1 | | | | | X | | X |
| 320 | 28-18082-9 | . Panel Dimmer Control | 1 | | | | | X | | X |
| 330 | 28-22501-11 | . Placard | 1 | | | | | X | | X |
| 340 | KN500B1/8 | . Knob | 1 | | | | | X | | X |
| 350 | ECD072-11 | . Tachometer | 1 | | | | | X | | X |
| 360 | 28-180004-5 | . Panel Assembly | 1 | | | | | X | | X |
| 370 | 10-357290-1 | . Ignition Switch | 1 | | | | | X | | X |
| 380 | MS35214-26 | . Screw | 2 | | | | | X | | X |
| 380 | AN515B-6-R7 | . Screw (Superseded by MS35214-26) | 2 | | | | | X | | X |
| 390 | MP-160-012-70 | . Circuit Breaker (70A) | 1 | | | | | X | | X |
| -390A | MP-160-012-100 | . Circuit Breaker (100A) (Narrow) | 1 | | | | | X | | X |

UNCONTROLLED COPY WHEN DOWNLOADED OR PRINTED

ENSTROM F-28/280 SERIES ILLUSTRATED PARTS CATALOG

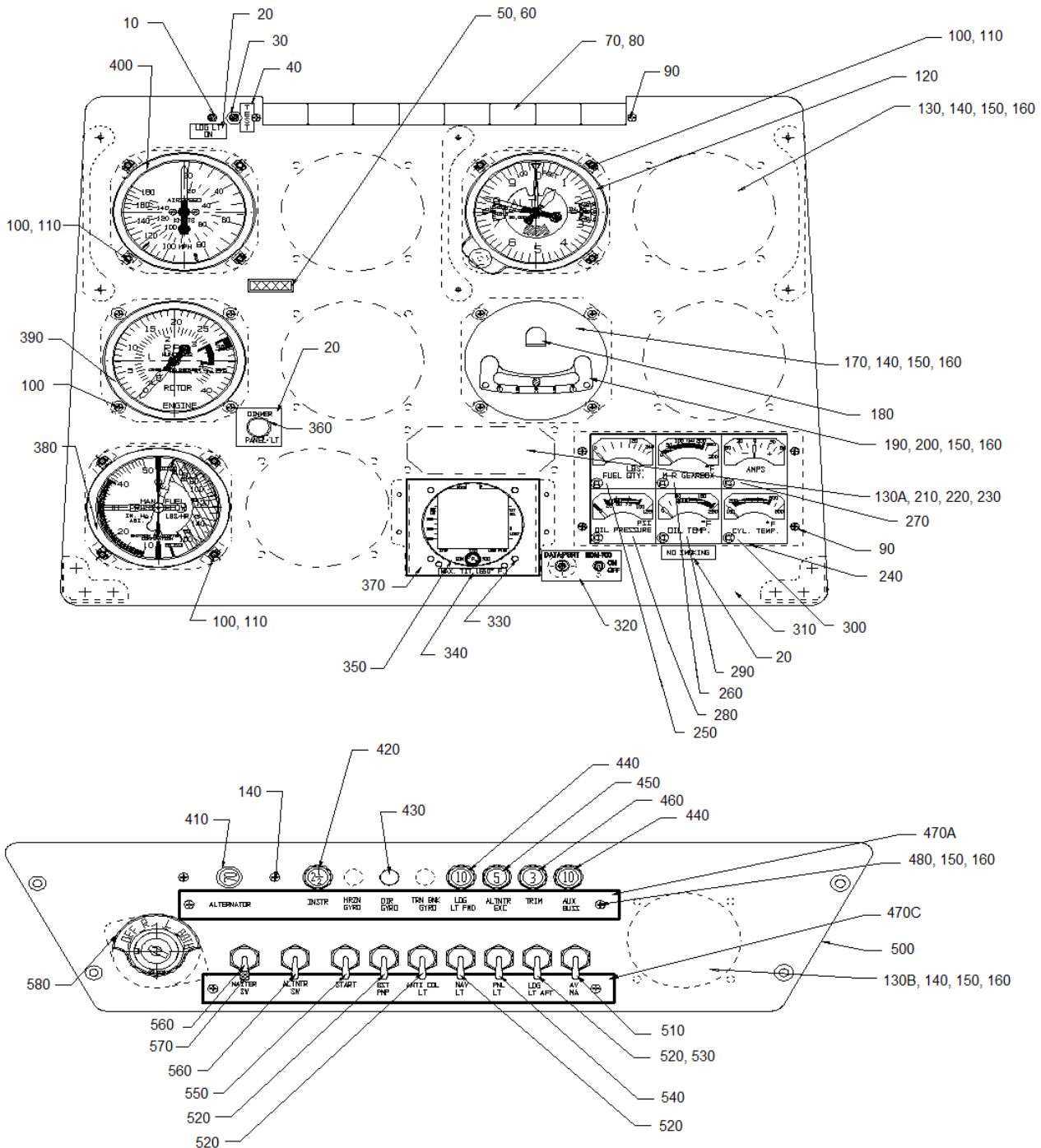
FIGURE 11-6. F-28F AND 280FX INSTRUMENT PANEL INSTALLATION (24V)

| ITEM NUMBER | PART NUMBER | DESCRIPTION | QTY PER ASSY | MODELS AFFECTED | | | | | | |
|-------------|----------------|--|--------------|-----------------|-----|-------|------|-------|------|-------|
| | | | | F-28A | 280 | F-28C | 280C | F-28F | 280F | 280FX |
| 400 | 1500-052-205 | . Circuit Breaker | 1 | | | | | X | | X |
| 410 | MS25244-5 | . Circuit Breaker | 1 | | | | | X | | X |
| 410 | 1500-056-3 | . Circuit Breaker (3A) (Superseded by MS25244-5) | 1 | | | | | X | | X |
| 420 | 28-18091-123 | . Upper I.D. Panel Assembly | 1 | | | | | | | X |
| 430 | MS24693-BB26 | . Screw | 20 | | | | | X | | X |
| 430 | AN507-B-632-R6 | . Screw (Superseded by MS24693-BB26) | 20 | | | | | X | | X |
| 440 | 700-001-10 | . Circuit Breaker | 1 | | | | | X | | X |
| 450 | 28-18052-1 | . Placard | 10 | | | | | X | | X |
| 460 | 20TC2-CA-5 | . Circuit Breaker Switch (5A) | 1 | | | | | X | | X |
| -460A | 20TC2-CA-7.5 | . Circuit Breaker Switch (7.5A) | 6 | | | | | X | | X |
| 470 | 20TC2-CA-20 | . Circuit Breaker Switch (20A) | 1 | | | | | X | | X |
| -470A | 20TC2-CA-10 | . Circuit Breaker Switch (10A) (Narrow) | 1 | | | | | X | | X |
| 480 | 20TC2-CA-3 | . Circuit Breaker Switch (3A) | 1 | | | | | X | | X |
| 490 | 28-18091-5 | . Lower I.D. Panel Assembly | 1 | | | | | X | | X |
| -490A | 28-18091-121 | . Lower I.D. Panel Assembly (Narrow) | 1 | | | | | X | | X |
| 500 | TIGK54-15-WH-A | . Switch | 1 | | | | | X | | X |
| 510 | TIGK54-15-RD-A | . Switch | 1 | | | | | X | | X |
| 520 | 28-18053-1 | . Placard | 10 | | | | | X | | X |

* Use 1500-052-2 circuit breaker as an acceptable alternate from F-28F S/N 509 to S/N 814 and 280FX S/N 2001 to S/N 2091.

UNCONTROLLED COPY WHEN DOWNLOADED OR PRINTED

ENSTROM F-28/280 SERIES ILLUSTRATED PARTS CATALOG



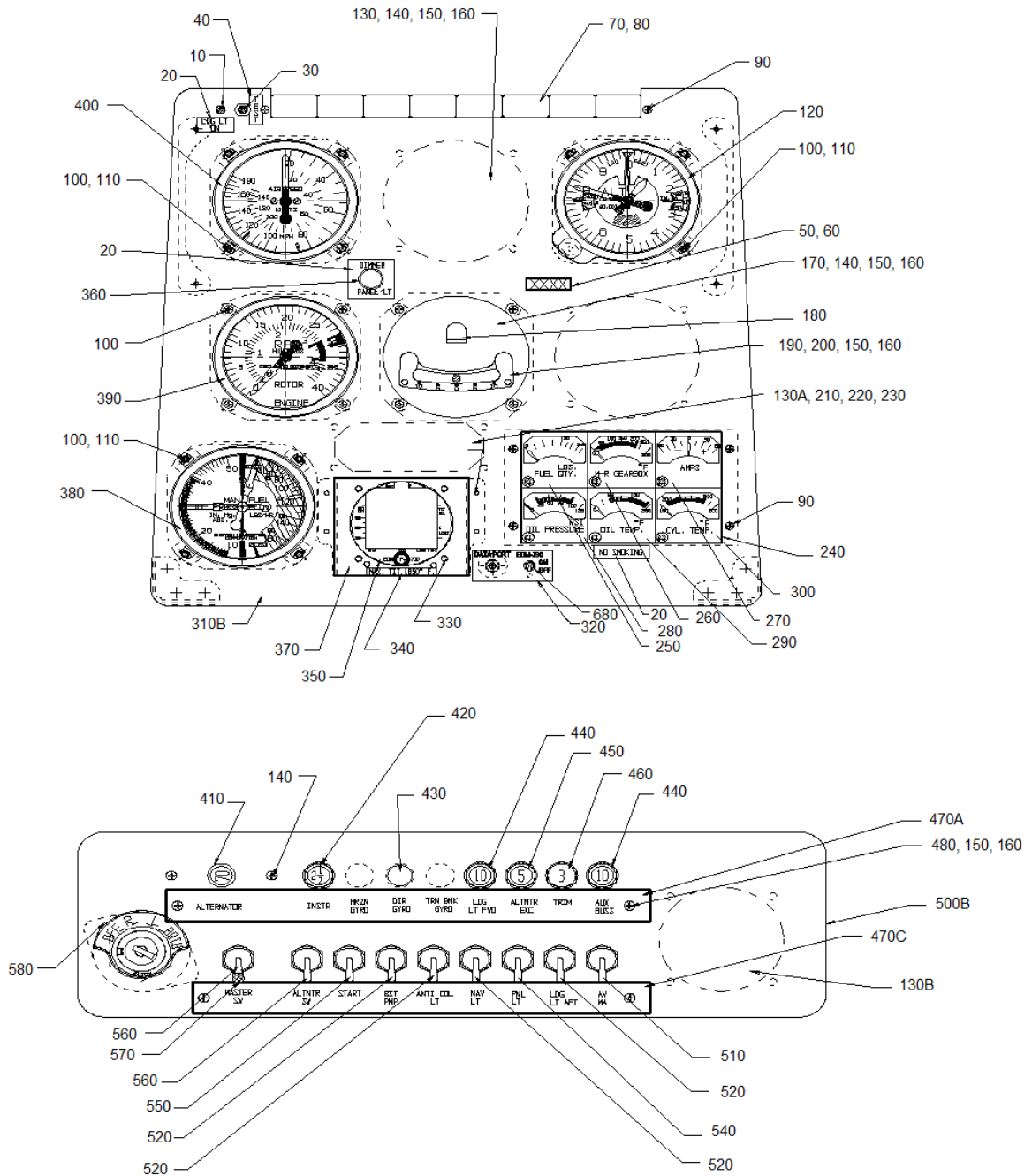
F-28F: S/N 833 AND SUBSEQUENT

Sheet 1 of 4

FIGURE 11-7. F-28F INSTRUMENT PANEL INSTALLATION (24V)

UNCONTROLLED COPY WHEN DOWNLOADED OR PRINTED

ENSTROM F-28/280 SERIES ILLUSTRATED PARTS CATALOG



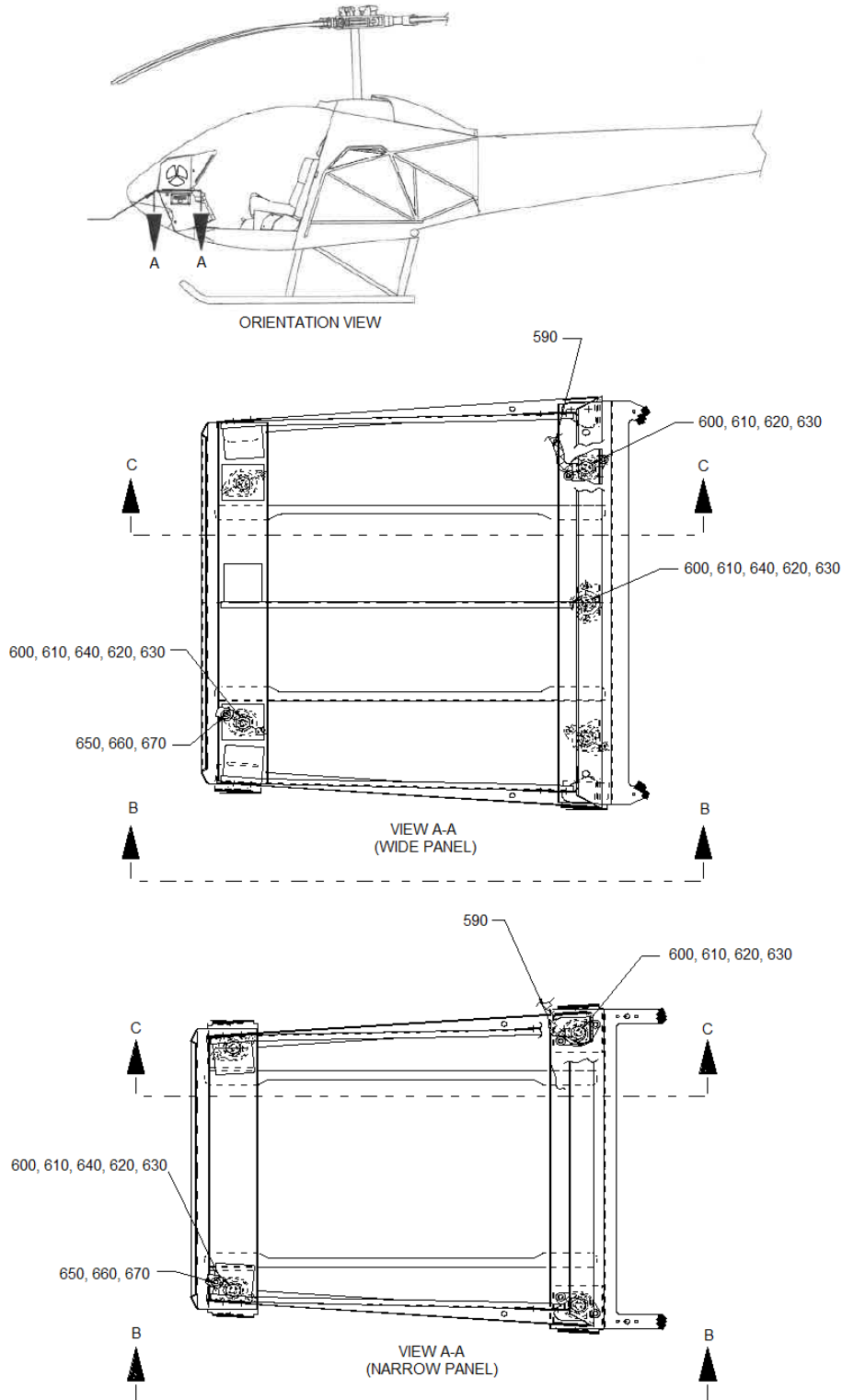
F-28F: S/N 833 AND SUBSEQUENT

Sheet 2 of 4

FIGURE 11-7. F-28F INSTRUMENT PANEL INSTALLATION (24V)

UNCONTROLLED COPY WHEN DOWNLOADED OR PRINTED

ENSTROM F-28/280 SERIES ILLUSTRATED PARTS CATALOG



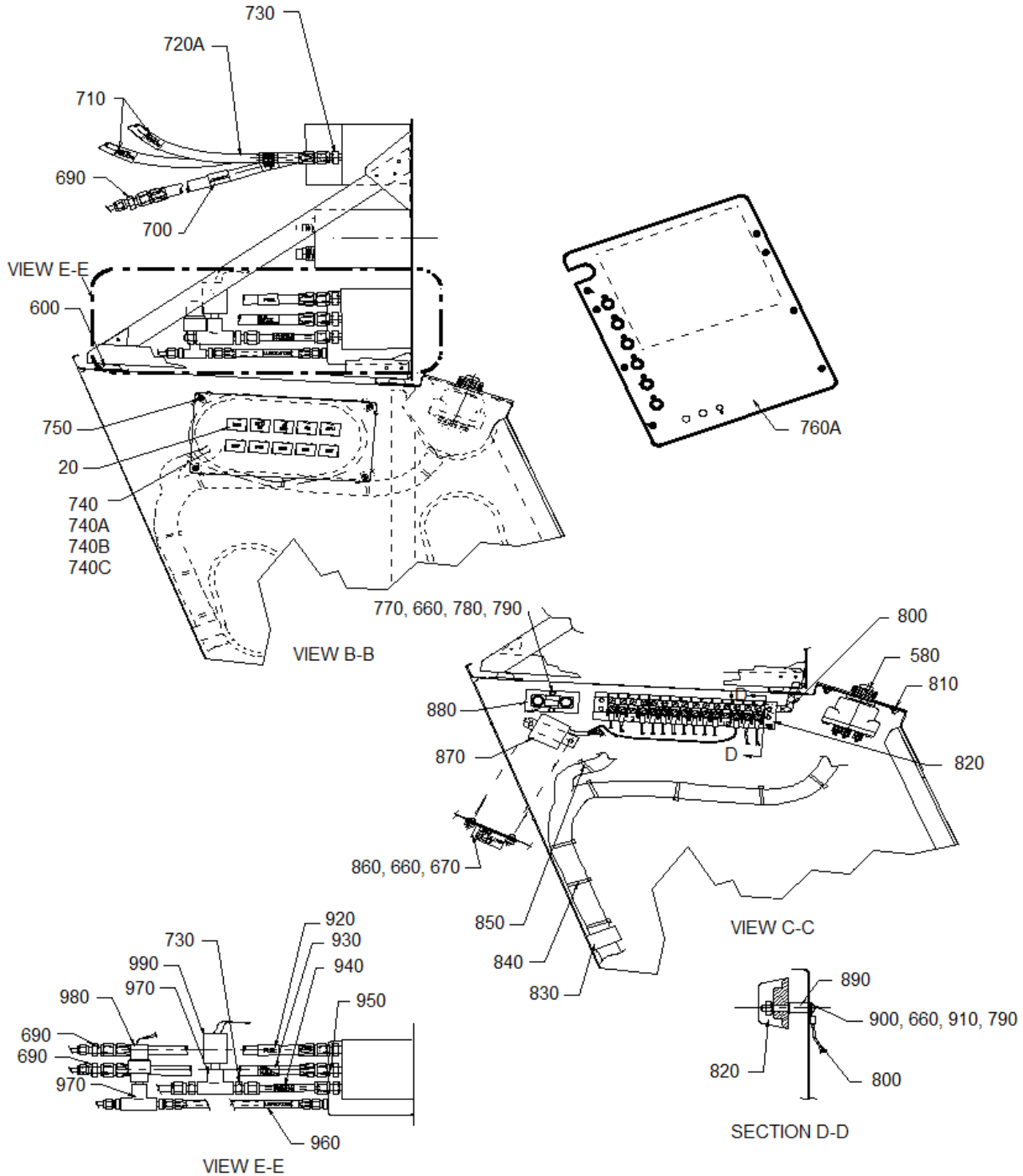
F-28F: S/N 833 AND SUBSEQUENT

Sheet 3 of 4

FIGURE 11-7. F-28F INSTRUMENT PANEL INSTALLATION (24V)

UNCONTROLLED COPY WHEN DOWNLOADED OR PRINTED

ENSTROM F-28/280 SERIES ILLUSTRATED PARTS CATALOG



F-28F: S/N 833 AND SUBSEQUENT

Sheet 4 of 4

FIGURE 11-7. F-28F INSTRUMENT PANEL INSTALLATION (24V)

UNCONTROLLED COPY WHEN DOWNLOADED OR PRINTED

ENSTROM F-28/280 SERIES ILLUSTRATED PARTS CATALOG

FIGURE 11-7. F-28F INSTRUMENT PANEL INSTALLATION (24V)

| ITEM NUMBER | PART NUMBER | DESCRIPTION | QTY PER ASSY | MODELS AFFECTED | | | | | | |
|-------------|----------------|--|--------------|-----------------|-----|-------|------|-------|------|-------|
| | | | | F-28A | 280 | F-28C | 280C | F-28F | 280F | 280FX |
| - | 28-18099-157 | Instrument Installation 24V (Wide) | REF | | | | | X | | |
| - | 28-18099-169 | Panel Assembly 24V (Wide) | REF | | | | | X | | |
| - | 28-18099-149 | Instrument Installation 24V (Narrow) | REF | | | | | X | | |
| - | 28-18099-161 | Panel Assembly 24V (Narrow) (Alternate to 28-18099-165) | REF | | | | | X | | |
| - | 28-18099-165 | Panel Assembly 24V (Narrow) | REF | | | | | X | | |
| 10 | 28-19027-13 | . LED Indicator Light Assy | 1 | | | | | X | | |
| 20 | 28-19064-1 | . Placard | 1 | | | | | X | | |
| 30 | 30-1UL | . Switch | 1 | | | | | X | | |
| 40 | 28-19046-11 | . Placard | 1 | | | | | X | | |
| 50 | 28-180020-11 | . I.D. Panel | 1 | | | | | X | | |
| 60 | Y9485 | . Tape | A/R | | | | | X | | |
| 70 | ECD089-3 | . Light Assembly Annunciator | 1 | | | | | X | | |
| 80 | 327 | . Lamp 24V | 16 | | | | | X | | |
| 90 | MS35214-25 | . Screw | 6 | | | | | X | | |
| 100 | MS35214-31 | . Screw | 15 | | | | | X | | |
| 110 | MS33737-16C | . Instrument Mounting Nut | 11 | | | | | X | | |
| 120 | 5934PD-3-A.253 | . Altimeter | 1 | | | | | X | | |
| 130 | 28-18060-11 | . Cover | 5 | | | | | X | | |
| 130A | 28-18060-13 | . Cover | 1 | | | | | X | | |
| 130B | 28-18060-15 | . Cover | 1 | | | | | X | | |
| 140 | MS35214-26 | . Screw | 30 | | | | | X | | |
| 150 | NAS1149FN616P | . Washer | 30 | | | | | X | | |
| 160 | MS21083N06 | . Nut | 30 | | | | | X | | |
| 170* | 4196603-23 | . Plug | 1 | | | | | X | | |
| 180* | A350CNIWBKSH28 | . Post Lite | 1 | | | | | X | | |
| 190* | 1040 | . Inclinator Ball | 1 | | | | | X | | |
| 200 | MS35214-30 | . Screw | 2 | | | | | X | | |
| 210 | MS35214-15 | . Screw | 4 | | | | | X | | |
| 220 | NAS1149FN416P | . Washer | 4 | | | | | X | | |

UNCONTROLLED COPY WHEN DOWNLOADED OR PRINTED

ENSTROM F-28/280 SERIES ILLUSTRATED PARTS CATALOG

FIGURE 11-7. F-28F INSTRUMENT PANEL INSTALLATION (24V)

| ITEM NUMBER | PART NUMBER | DESCRIPTION | QTY PER ASSY | MODELS AFFECTED | | | | | | |
|-------------|--------------|--|--------------|-----------------|-----|-------|------|-------|------|-------|
| | | | | F-28A | 280 | F-28C | 280C | F-28F | 280F | 280FX |
| 230 | MS21044N04 | . Nut | 4 | | | | | X | | |
| 240 | ECD071-15 | . Instrument Cluster | 1 | | | | | X | | |
| 250 | ECD071-103 | . . Fuel Qty. Gauge | 1 | | | | | X | | |
| 260 | ECD071-104 | . . Oil Temp. MRGB Gauge | 1 | | | | | X | | |
| 270 | ECD071-105 | . . Ammeter Gauge | 1 | | | | | X | | |
| 280 | ECD071-106 | . . Eng. Oil Press. Gauge | 1 | | | | | X | | |
| 290 | ECD071-107 | . . Eng. Oil Temp. Gauge | 1 | | | | | X | | |
| 300 | ECD071-108 | . . Cylinder Temp. Gauge | 1 | | | | | X | | |
| 310 | 28-18153-107 | . Panel Assembly (Wide) | 1 | | | | | X | | |
| -310A | 28-18153-109 | . Panel Assembly (Narrow) (Alternate) | 1 | | | | | X | | |
| 310B | 28-18153-105 | . Panel Assembly (Narrow) | 1 | | | | | X | | |
| 320 | 28-22540-17 | . Placard | 1 | | | | | X | | |
| 330 | AN515-B6R3 | . Screw | 4 | | | | | X | | |
| 340 | 28-22543-13 | . Placard | 1 | | | | | X | | |
| 350 | 28-22093-3 | . EDM-700-4C Installation | 1 | | | | | X | | |
| 360 | KN500B1/8 | . Knob | 1 | | | | | X | | |
| 370 | 28-18101-11 | . Bracket | 1 | | | | | X | | |
| 380 | ECD077-11 | . Manifold Pressure | 1 | | | | | X | | |
| 390 | ECD072-11 | . Dual Tachometer | 1 | | | | | X | | |
| 400 | 8000 B.852 | . Airspeed | 1 | | | | | X | | |
| - | 60618-1 | . Pin | 11 | | | | | X | | |
| - | 1-480319-0 | . Pin Housing | 4 | | | | | X | | |
| - | PLT4S-CO | . Cable Tie | A/R | | | | | X | | |
| - | 60617-1 | . Socket | 8 | | | | | X | | |
| - | 1-480318-0 | . Socket Housing | 4 | | | | | X | | |
| 410 | 160-012-70 | . Circuit Breaker 70A P/P | 1 | | | | | X | | |
| 420 | 7274-2-2 1/2 | . Circuit Breaker 2 ½ A | 1 | | | | | X | | |
| 430 | 1684 | . Hole Plug | A/R | | | | | X | | |
| 440 | 7274-2-10 | . Circuit Breaker 10A | 2 | | | | | X | | |
| 450 | 7274-2-5 | . Circuit Breaker 5A | 1 | | | | | X | | |

UNCONTROLLED COPY WHEN DOWNLOADED OR PRINTED

ENSTROM F-28/280 SERIES ILLUSTRATED PARTS CATALOG

FIGURE 11-7. F-28F INSTRUMENT PANEL INSTALLATION (24V)

| ITEM NUMBER | PART NUMBER | DESCRIPTION | QTY PER ASSY | MODELS AFFECTED | | | | | | |
|-------------|---------------|------------------------------------|--------------|-----------------|-----|-------|------|-------|------|-------|
| | | | | F-28A | 280 | F-28C | 280C | F-28F | 280F | 280FX |
| 460 | 7274-2-3 | . Circuit Breaker 3A | 1 | | | | | X | | |
| -470 | 28-18069-31 | . Panel (Alternate to 28-18069-15) | 1 | | | | | X | | |
| 470A | 28-18069-15 | . Panel | 1 | | | | | X | | |
| -470B | 28-18069-33 | . Panel (Alternate to 28-18069-17) | 1 | | | | | X | | |
| 470C | 28-18069-17 | . Panel | 1 | | | | | X | | |
| 480 | MS35214-28 | . Screw | 4 | | | | | X | | |
| 490 | 28-18069-17 | . Panel | 1 | | | | | X | | |
| 500 | 28-18171-31 | . Panel (Wide) | 1 | | | | | X | | |
| -500A | 28-18171-33 | . Panel (Narrow) (Alternate) | 1 | | | | | X | | |
| 500B | 28-18171-29 | . Panel (Narrow) | 1 | | | | | X | | |
| 510 | 7270-1-35 | . Circuit Breaker Switch 35A | A/R | | | | | X | | |
| 520 | 7270-1-5 | . Circuit Breaker Switch 5A | 3 | | | | | X | | |
| 530 | 1687 | . Hole Plug | A/R | | | | | X | | |
| 540 | 7270-1-3 | . Circuit Breaker Switch 3A | 1 | | | | | X | | |
| 550 | 7270-1-7 1/2 | . Circuit Breaker Switch 7 1/2 A | 1 | | | | | X | | |
| 560 | 12TS15-2 | . Toggle Switch | 2 | | | | | X | | |
| 570 | 15PA90-4R | . Red Cap | 1 | | | | | X | | |
| 580 | 10-357290-1 | . Ignition Switch | 1 | | | | | X | | |
| 590 | 28-19021-10 | . Grounding Strap | 1 | | | | | X | | |
| 600 | 770001-5 | . Mount | 6 | | | | | X | | |
| 610 | NAS6603-14 | . Bolt | 6 | | | | | X | | |
| 610 | AN3-12A | . Bolt (Superseded by NAS6603-14) | 6 | | | | | X | | |
| 620 | NAS1149F0332P | . Washer | 6 | | | | | X | | |
| 630 | MS21044N3 | . Nut | 6 | | | | | X | | |
| 640 | NAS1149F0363P | . Nut | 4 | | | | | X | | |
| 650 | MS35190-253 | . Screw | 10 | | | | | X | | |
| 660 | NAS1149FN832P | . Washer | 24 | | | | | X | | |
| 670 | MS21083N08 | . Nut | 12 | | | | | X | | |
| 680 | 7101SYZQE | . Switch | 1 | | | | | X | | |

UNCONTROLLED COPY WHEN DOWNLOADED OR PRINTED

ENSTROM F-28/280 SERIES ILLUSTRATED PARTS CATALOG

FIGURE 11-7. F-28F INSTRUMENT PANEL INSTALLATION (24V)

| ITEM NUMBER | PART NUMBER | DESCRIPTION | QTY PER ASSY | MODELS AFFECTED | | | | | | |
|-------------|--------------|--|--------------|-----------------|-----|-------|------|-------|------|-------|
| | | | | F-28A | 280 | F-28C | 280C | F-28F | 280F | 280FX |
| 690 | AN815-4D | . Coupling | 4 | | | | | X | | |
| 700 | 28-12472-11 | . Placard | 2 | | | | | X | | |
| 710 | 28-12470-11 | . Placard | 4 | | | | | X | | |
| -720 | 28-18061-3 | . Hose (Alternate) | 7 | | | | | | | |
| 720A | 28-18061-1 | . Hose | 7 | | | | | X | | |
| 730 | AN816-4D | . Adapter | 6 | | | | | X | | |
| 740 | 28-19073-1 | . Fuse Panel Assembly | A/R | | | | | X | | |
| 740A | 28-19073-3 | . Fuse Panel Assembly | A/R | | | | | X | | |
| 740B | 28-19073-5 | . Fuse Panel Assembly | A/R | | | | | X | | |
| 740C | 28-19073-7 | . Fuse Panel Assembly | A/R | | | | | X | | |
| 750 | 6 X 3/8 | . Screw | 4 | | | | | X | | |
| -760 | 28-18200-1 | . Radio Panel Installation (Alternate) | A/R | | | | | | | |
| 760A | 28-18200-3 | . Radio Panel Installation | A/R | | | | | X | | |
| 770 | MS35206-247 | . Screw | 2 | | | | | X | | |
| 780 | MS35338-42 | . Lock Washer | 4 | | | | | X | | |
| 790 | MS35649-282 | . Nut | 4 | | | | | X | | |
| 800 | 28-19021-10 | . Grounding Strap | 1 | | | | | X | | |
| 810 | MS24693-BB50 | . Screw | 4 | | | | | X | | |
| 820 | 28-19123-9 | . Terminal Strip Assembly | 1 | | | | | X | | |
| 830 | 28-19023 | . Clamp | 1 | | | | | X | | |
| 840 | SST2S-MP | . Cable Tie | A/R | | | | | X | | |
| 850 | SST1.5I-MP | . Cable Tie | A/R | | | | | X | | |
| 860 | MS35206-244 | . Screw | 2 | | | | | X | | |
| 870 | B-00378-5 | . Low Voltage Sensor (24V) | 1 | | | | | X | | |
| 880 | 22-370-60 | . Shunt | 1 | | | | | X | | |
| 890 | 28-18033-1 | . Spacer | 2 | | | | | X | | |
| 900 | MS35206-250 | . Screw | 2 | | | | | X | | |
| 910 | MS35338-42 | . Lock Washer | 4 | | | | | X | | |
| 920 | 28-12473-11 | . Placard | 2 | | | | | X | | |

UNCONTROLLED COPY WHEN DOWNLOADED OR PRINTED

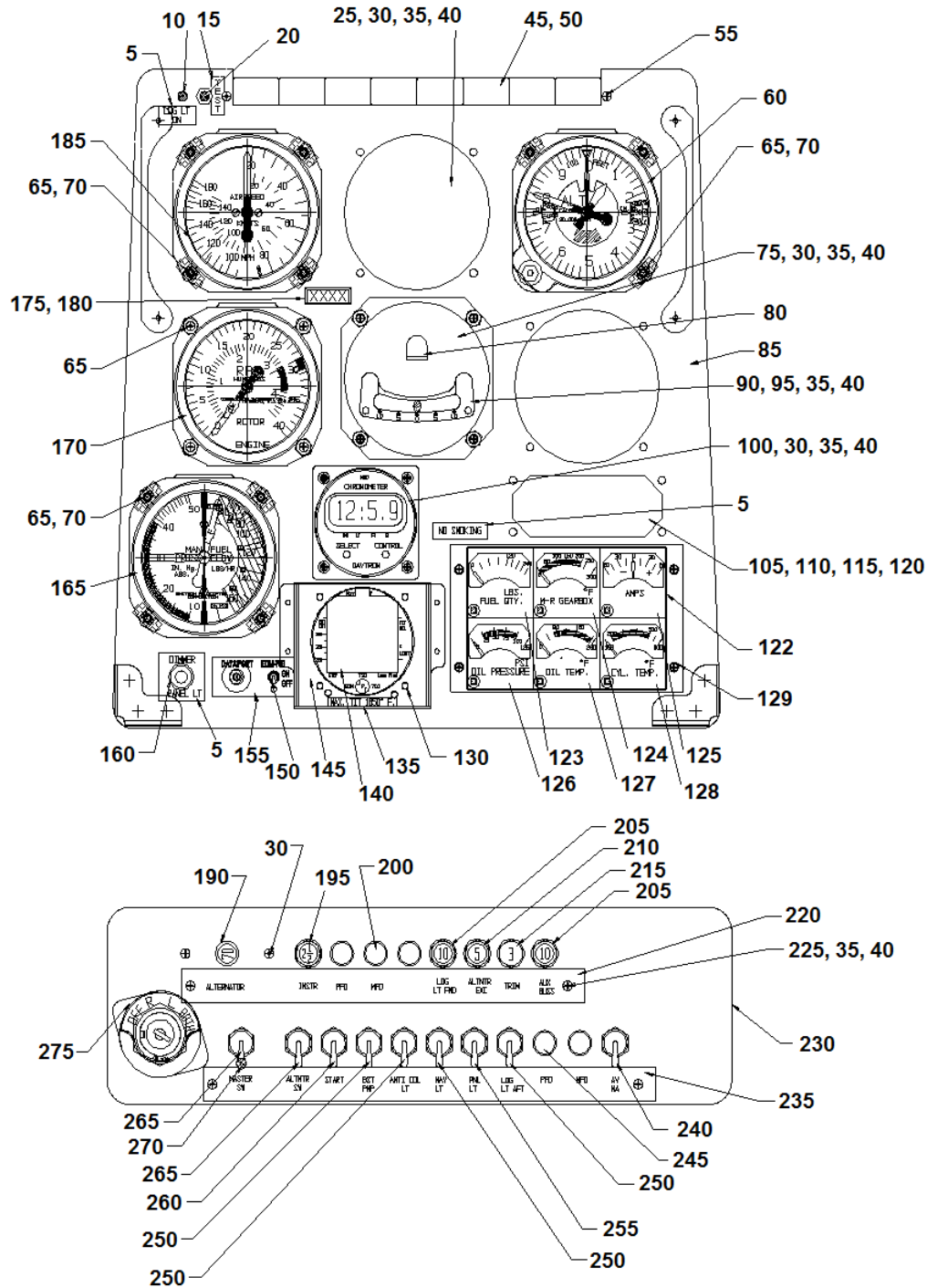
ENSTROM F-28/280 SERIES ILLUSTRATED PARTS CATALOG

FIGURE 11-7. F-28F INSTRUMENT PANEL INSTALLATION (24V)

| ITEM NUMBER | PART NUMBER | DESCRIPTION | QTY PER ASSY | MODELS AFFECTED | | | | | | |
|-------------|-------------|-----------------------|--------------|-----------------|-----|-------|------|-------|------|-------|
| | | | | F-28A | 280 | F-28C | 280C | F-28F | 280F | 280FX |
| 930 | 28-12475-11 | . Placard | 2 | | | | | X | | |
| 940 | 28-12471-11 | . Placard | 2 | | | | | X | | |
| 950 | 28-180014-1 | . Fitting Fuel Vent | 1 | | | | | X | | |
| 960 | 28-12474-11 | . Placard | 2 | | | | | X | | |
| 970 | AN917-1D | . Tee | 2 | | | | | X | | |
| 980 | 2335-265-1 | . Oil Pressure Switch | 1 | | | | | X | | |
| 990 | ECD078-11 | . Pressure Switch | 1 | | | | | X | | |

* Omit these items, along with associated hardware, if an optional attitude gyro, turn and slip gyro with mechanical inclinometer ball, or PFD display with attitude indication is installed.

ENSTROM F-28/280 SERIES ILLUSTRATED PARTS CATALOG



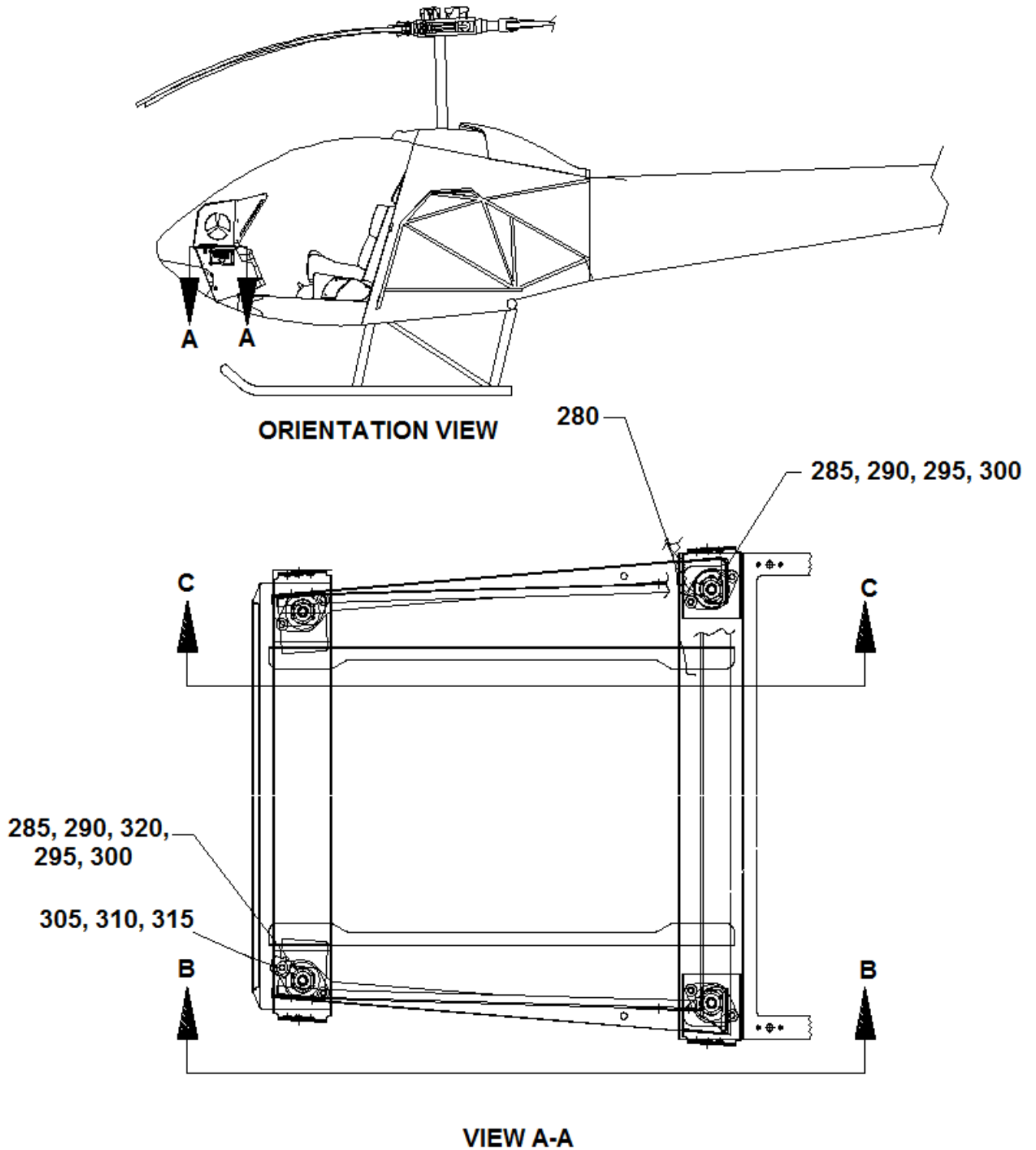
INSTRUMENT PANEL LAYOUTS MAY VARY DEPENDING ON CUSTOMER PREFERENCES.

280FX: S/N 2148 – 2166

Sheet 1 of 4

FIGURE 11-8. 280FX INSTRUMENTS AND INSTRUMENT PANEL

ENSTROM F-28/280 SERIES ILLUSTRATED PARTS CATALOG

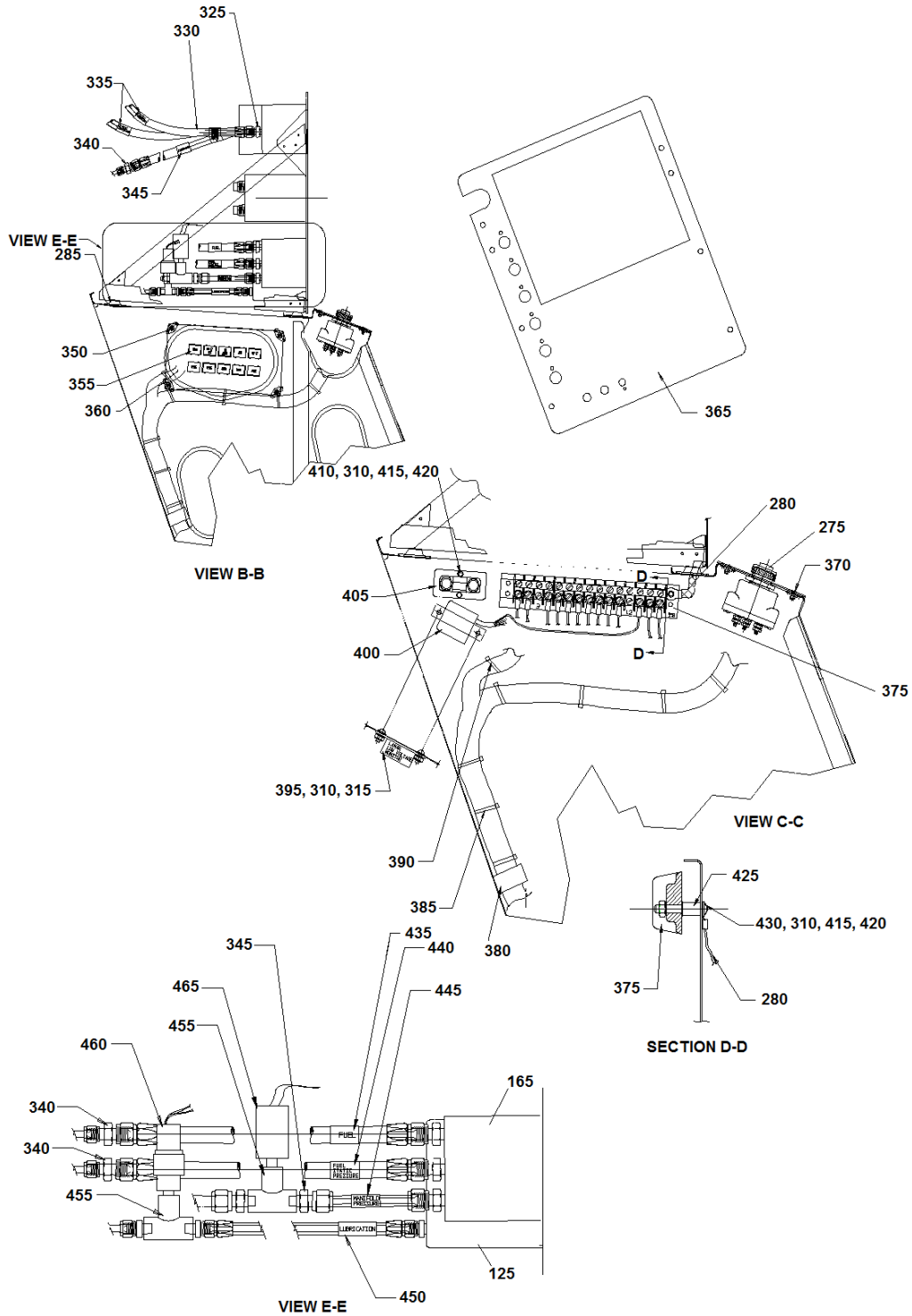


280FX: S/N 2148 – 2166

Sheet 2 of 4

FIGURE 11-8. 280FX INSTRUMENTS AND INSTRUMENT PANEL

ENSTROM F-28/280 SERIES ILLUSTRATED PARTS CATALOG

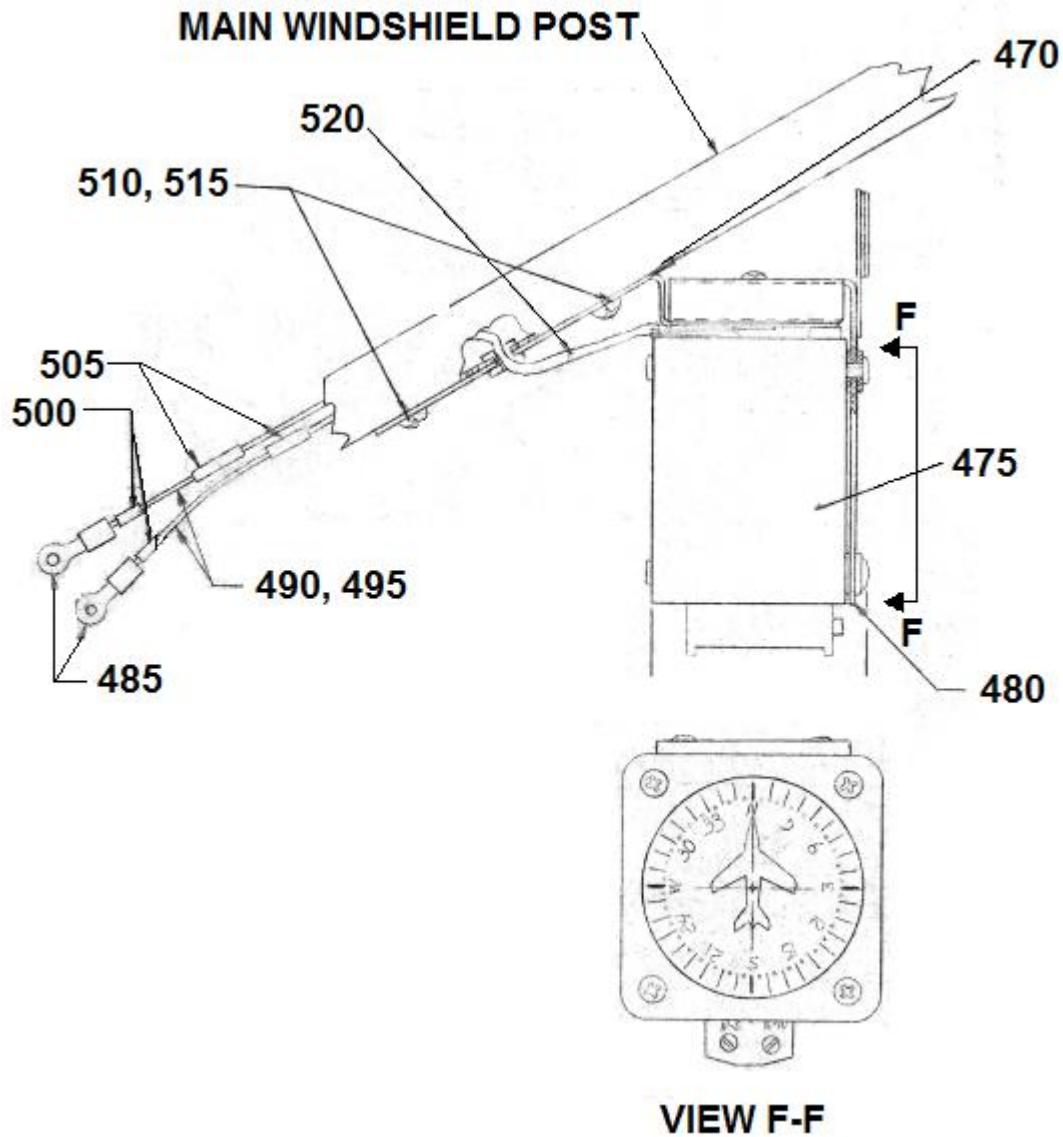


280FX: S/N 2148 – 2166

Sheet 3 of 4

FIGURE 11-8. 280FX INSTRUMENTS AND INSTRUMENT PANEL

ENSTROM F-28/280 SERIES ILLUSTRATED PARTS CATALOG



280FX: S/N 2148 AND SUBSEQUENT

Sheet 4 of 4

FIGURE 11-8. 280FX INSTRUMENTS AND INSTRUMENT PANEL

ENSTROM F-28/280 SERIES ILLUSTRATED PARTS CATALOG

FIGURE 11-8. 280FX INSTRUMENTS AND INSTRUMENT PANEL

| ITEM NUMBER | PART NUMBER | DESCRIPTION | QTY PER ASSY | MODELS AFFECTED | | | | | | |
|-------------|----------------|---|--------------|-----------------|-----|-------|------|-------|------|-------|
| | | | | F-28A | 280 | F-28C | 280C | F-28F | 280F | 280FX |
| - | 28-18099-147 | Instrument Installation (24V) 280FX (Narrow) | REF | | | | | | | X |
| - | 28-18099-159 | Panel Assembly (Narrow) (280FX) 24V | REF | | | | | | | X |
| 5 | 4119835-33 | . Placard (LDG LT ON) | 1 | | | | | | | X |
| 10 | 28-19027-13 | . LED Indicator Light Assembly | 1 | | | | | | | X |
| 15 | 28-19046-11 | . Placard (TEST) | 1 | | | | | | | X |
| 20 | 30-1UL | . . Switch | 1 | | | | | | | X |
| 25 | 28-18060-11 | . Cover | 2 | | | | | | | X |
| 30♦ | MS35214-26 | . Screw | 18 | | | | | | | X |
| 35♦ | NAS1149FN616P | . Washer | 18 | | | | | | | X |
| 40♦ | MS21083N06 | . Nut | 18 | | | | | | | X |
| 45 | ECD089-3 | . Light Assembly Annunciator | 1 | | | | | | | X |
| 50 | 327 | . Lamp 24V | 16 | | | | | | | X |
| 55 | MS35214-25 | . Screw | 2 | | | | | | | X |
| 60 | 5934PD-3-A.253 | . Altimeter | 1 | | | | | | | X |
| 65 | MS35214-31 | . Screw | 15 | | | | | | | X |
| - | AN816-4D | . Adapter | 1 | | | | | | | X |
| 70 | MS33737-16C | . Instrument Mounting Nut | 11 | | | | | | | X |
| 75♦ | 4196603-23 | . Plug | 1 | | | | | | | X |
| 80♦ | 01-0770119-15 | . Post Lite | 1 | | | | | | | X |
| 85 | 28-18153-109 | . Panel Assembly (Narrow) (Used with -159) | 1 | | | | | | | X |
| 90♦ | 1040 | . Inclinator Ball | 1 | | | | | | | X |
| 95♦ | MS35214-30 | . Screw | 2 | | | | | | | X |
| -Δ | 28-22081-5 | Davtron M800 Chronometer Installation | REF | | | | | | | X |
| 100Δ | 800-28V-BAT | . Clock | 1 | | | | | | | X |
| -100 | 28-18060-15 | . Cover | 1 | | | | | | | X |
| - | MS35214-15 | . Screw | 4 | | | | | | | X |

ENSTROM F-28/280 SERIES ILLUSTRATED PARTS CATALOG

FIGURE 11-8. 280FX INSTRUMENTS AND INSTRUMENT PANEL

| ITEM NUMBER | PART NUMBER | DESCRIPTION | QTY PER ASSY | MODELS AFFECTED | | | | | | |
|-------------|----------------|--|--------------|-----------------|-----|-------|------|-------|------|-------|
| | | | | F-28A | 280 | F-28C | 280C | F-28F | 280F | 280FX |
| 105 | 28-18060-13 | . Cover | 1 | | | | | | | X |
| 110 | MS35214-15 | . Screw | 4 | | | | | | | X |
| 115 | NAS1149FN416P | . Washer | 4 | | | | | | | X |
| 120 | MS21044N04 | . Nut | 4 | | | | | | | X |
| 122 | ECD071-15 | . Instrument Cluster | 1 | | | | | | | X |
| 122 | ECD071-13 | . Instrument Cluster (Superseded by ECD071-15) | 1 | | | | | | | X |
| 123 | ECD071-103 | . . Fuel Qty. Gauge | 1 | | | | | | | X |
| 124 | ECD071-104 | . . Oil Temp. MRGB Gauge | 1 | | | | | | | X |
| 125 | ECD071-105 | . . Ammeter Gauge | 1 | | | | | | | X |
| 126 | ECD071-106 | . . Eng. Oil Press. Gauge | 1 | | | | | | | X |
| 127 | ECD071-107 | . . Eng. Oil Temp. Gauge | 1 | | | | | | | X |
| 128 | ECD071-108 | . . Cylinder Temp. Gauge | 1 | | | | | | | X |
| 129 | MS35214-27 | . . Screw | 4 | | | | | | | X |
| - | AN816-4D | . Adapter | 1 | | | | | | | X |
| 130 | AN515-B6R3 | . Screw | 4 | | | | | | | X |
| 135 | 28-22543-13 | . Placard (MAX. TIT 1650° F.) | 1 | | | | | | | X |
| 140● | 28-22093-3 | . EDM-700-4C Installation | 1 | | | | | | | X |
| - | EGT-701-4C-A-T | . . Indicator w/Software Pt# 302661-REV 3.062 | 1 | | | | | | | X |
| 145 | 28-18101-11 | . Bracket | 1 | | | | | | | X |
| 150 | 7101SYZQE | . Switch | 1 | | | | | | | X |
| 155 | 28-22540-17 | . Placard | 1 | | | | | | | X |
| 160 | KN500B1/8 | . Knob | 1 | | | | | | | X |
| 165 | ECD077-11 | . Manifold Pressure | 1 | | | | | | | X |
| - | AN816-4D | . Adapter | 1 | | | | | | | X |
| - | 28-180014-1 | . Fitting Fuel Vent | 1 | | | | | | | X |
| - | 60618-1 | . Pin | 3 | | | | | | | X |
| - | 1-480305-0 | . Pin Housing | 1 | | | | | | | X |

ENSTROM F-28/280 SERIES ILLUSTRATED PARTS CATALOG

FIGURE 11-8. 280FX INSTRUMENTS AND INSTRUMENT PANEL

| ITEM NUMBER | PART NUMBER | DESCRIPTION | QTY PER ASSY | MODELS AFFECTED | | | | | | | |
|-------------|--------------|-------------------------------------|--------------|-----------------|-----|-------|------|-------|------|-------|---|
| | | | | F-28A | 280 | F-28C | 280C | F-28F | 280F | 280FX | |
| - | 381N-500-S | . Potentiometer | 1 | | | | | | | | X |
| 170 | ECD072-11 | . Dual Tachometer | 1 | | | | | | | | X |
| 175 | 28-180020-11 | . I.D. Panel | 1 | | | | | | | | X |
| 180* | Y9485 | . Tape | A/R | | | | | | | | X |
| 185 | 8000 B.853 | . Airspeed | 1 | | | | | | | | X |
| - | AN816-4D | . Adapter | 1 | | | | | | | | X |
| 190 | 160-012-70 | . Circuit Breaker, 70 Amp | 1 | | | | | | | | X |
| 195 | 7274-2-2 1/2 | . Circuit Breaker, 2 1/2 Amp | 1 | | | | | | | | X |
| 200 | 1684 | . Hole Plug | A/R | | | | | | | | X |
| 205 | 7274-2-10 | . Circuit Breaker, 10 Amp | 2 | | | | | | | | X |
| 210 | 7274-2-5 | . Circuit Breaker, 5 Amp | 1 | | | | | | | | X |
| 215 | 7274-2-3 | . Circuit Breaker, 3 Amp | 1 | | | | | | | | X |
| 220 | 28-18069-31 | . Panel | 1 | | | | | | | | X |
| 225 | MS35214-28 | . Screw | 4 | | | | | | | | X |
| 230 | 28-18171-33 | . Panel (Narrow) (Used with -159) | 1 | | | | | | | | X |
| 235 | 28-18069-33 | . Panel | 1 | | | | | | | | X |
| 240 | 7270-1-35 | . Circuit Breaker Switch, 35 Amp | A/R | | | | | | | | X |
| 245 | 1687 | . Hole Plug | A/R | | | | | | | | X |
| -* | 732BL | . Sealant | A/R | | | | | | | | X |
| 250 | 7270-1-5 | . Circuit Breaker Switch, 5 Amp | 4 | | | | | | | | X |
| -* | 732BL | . Sealant | A/R | | | | | | | | X |
| 255 | 7270-1-3 | . Circuit Breaker Switch, 3 Amp | 1 | | | | | | | | X |
| 260 | 7270-1-7 1/2 | . Circuit Breaker Switch, 7 1/2 Amp | 1 | | | | | | | | X |
| 265 | 12TS15-2 | . Toggle Switch | 2 | | | | | | | | X |
| 270 | 15PA90-4R | . Red Cap | 1 | | | | | | | | X |
| 275 | 10-357290-1 | . Ignition Switch | 1 | | | | | | | | X |
| 280 | 28-19021-10 | . (40-6) Grounding Strap | 1 | | | | | | | | X |
| 285 | 770001-5 | . Mount | 4 | | | | | | | | X |

ENSTROM F-28/280 SERIES ILLUSTRATED PARTS CATALOG

FIGURE 11-8. 280FX INSTRUMENTS AND INSTRUMENT PANEL

| ITEM NUMBER | PART NUMBER | DESCRIPTION | QTY PER ASSY | MODELS AFFECTED | | | | | | |
|-------------|---------------|--------------------------------|--------------|-----------------|-----|-------|------|-------|------|-------|
| | | | | F-28A | 280 | F-28C | 280C | F-28F | 280F | 280FX |
| 290 | NAS6603-14 | . Bolt | 4 | | | | | | | X |
| 290 | AN3-12A | . Bolt (Alternate) | 4 | | | | | | | X |
| 295 | NAS1149F0332P | . Washer | 5 | | | | | | | X |
| 300 | MS21044N3 | . Nut | 4 | | | | | | | X |
| 305 | MS35190-253 | . Screw | 8 | | | | | | | X |
| 310 | NAS1149FN832P | . Washer | 22 | | | | | | | X |
| 315 | MS21083N08 | . Nut | 10 | | | | | | | X |
| 320 | NAS1149F0363P | . Washer | 3 | | | | | | | X |
| 325 | AN816-4D | . Adapter | 10 | | | | | | | X |
| 330 | 28-18061-1 | . Hose Assembly (Low Pressure) | 7 | | | | | | | X |
| - | MS27404-4D | . . Fitting | 2 | | | | | | | X |
| - | MIL-DTL-5593 | . . Hose | 1 | | | | | | | X |
| 335 | 28-12470-11 | . Placard (STATIC PRESSURE) | 4 | | | | | | | X |
| 340 | AN815-4D | . Coupling | 4 | | | | | | | X |
| 345 | 28-12472-11 | . Placard (AIRSPEED) | 2 | | | | | | | X |
| 350 | 6 X 3/8 | . Screw | 4 | | | | | | | X |
| 355 | 4119835-33 | . Placard | 1 | | | | | | | X |
| 360 | 28-19073-101 | . Fuse Panel Assembly | 1 | | | | | | | X |
| 365 | 28-18200-1 | . Radio Panel Installation | A/R | | | | | | | X |
| - | MS24694-50 | . Screw | 8 | | | | | | | X |
| 370 | MS24693-BB50 | . Screw | 4 | | | | | | | X |
| 375 | 28-19123-9 | . Terminal Strip Assembly | 1 | | | | | | | X |
| 380 | 28-19023 | . Clamp | 1 | | | | | | | X |
| 385 | SST2S-MP | . Cable Tie | A/R | | | | | | | X |
| 390 | SST1.5I-MP | . Cable Tie | A/R | | | | | | | X |
| 395 | MS35206-244 | . Screw | 2 | | | | | | | X |
| 400 | B-00378-5 | . Low Voltage Sensor (24V) | 1 | | | | | | | X |
| 405 | 22-370-60 | . Shunt | 1 | | | | | | | X |
| 410 | MS35206-247 | . Screw | 2 | | | | | | | X |

ENSTROM F-28/280 SERIES ILLUSTRATED PARTS CATALOG

FIGURE 11-8. 280FX INSTRUMENTS AND INSTRUMENT PANEL

| ITEM NUMBER | PART NUMBER | DESCRIPTION | QTY PER ASSY | MODELS AFFECTED | | | | | | |
|-------------|----------------|----------------------------------|--------------|-----------------|-----|-------|------|-------|------|-------|
| | | | | F-28A | 280 | F-28C | 280C | F-28F | 280F | 280FX |
| 415 | MS35338-42 | . Lock Washer | 4 | | | | | | | X |
| 420 | MS35649-282 | . Nut | 4 | | | | | | | X |
| 425 | 28-18033-1 | . Spacer | 2 | | | | | | | X |
| 430 | MS35206-250 | . Screw | 2 | | | | | | | X |
| 435 | 28-12473-11 | . Placard (FUEL) | 2 | | | | | | | X |
| 440 | 28-12475-11 | . Placard (FUEL STATIC PRESSURE) | 2 | | | | | | | X |
| 445 | 28-12471-11 | . Placard (MANIFOLD PRESSURE) | 2 | | | | | | | X |
| 450 | 28-12474-11 | . Placard (LUBRICATION) | 1 | | | | | | | X |
| 455 | AN917-10 | . Tee | 2 | | | | | | | X |
| 460 | 2335-265-1 | . Oil Pressure Switch | 1 | | | | | | | X |
| 465 | ECD078-11 | . Pressure Switch | 1 | | | | | | | X |
| - | FIT-221V-3/32 | . Shrink Tube | A/R | | | | | | | X |
| - | 28-18084-1 | Magnetic Compass Installation | REF | | | | | | | X |
| 470 | 4016 | . Tape | A/R | | | | | | | X |
| 475 | PAI-700 28V | . Compass | 1 | | | | | | | X |
| 480 | PACMO-APZ2IN | . Mounting Bracket | 1 | | | | | | | X |
| 485 | AA-832-06 | . Terminals | 2 | | | | | | | X |
| 490 | AWG-22-8503-10 | . Wire | A/R | | | | | | | X |
| 495 | AWG-22-8503-2 | . Wire | A/R | | | | | | | X |
| 500 | PVC-13 | . Wire Markers | 2 | | | | | | | X |
| 505 | 3028-3/32 | . Heat Shrink Tubing | A/R | | | | | | | X |
| 510 | MS35338-99 | . Brass Lock Washer | 2 | | | | | | | X |
| 515 | MS35214-44 | . Screw | 2 | | | | | | | X |
| 520 | 3028-3/32 | . Shrink Tube | A/R | | | | | | | X |

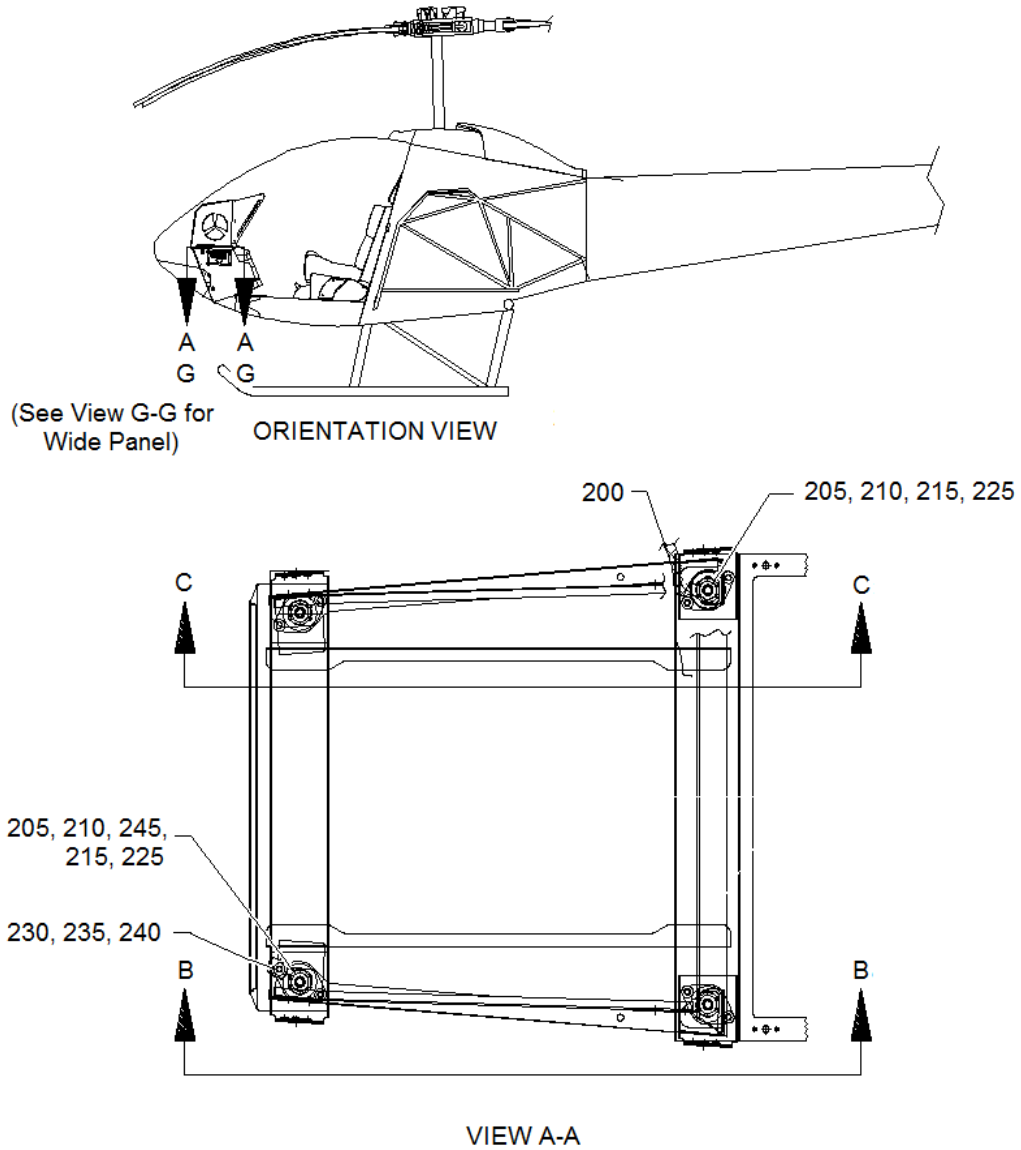
◆ When an optional attitude gyro, turn and slip gyro with mechanical inclinometer ball, or PFD display with attitude indication is installed, Items 75, 80, 90, and associated hardware Items 30, 35, 40, and 95 should not be installed.

△ Customer option.

ENSTROM F-28/280 SERIES ILLUSTRATED PARTS CATALOG

- Not illustrated.
- * Or equivalent. Contact Enstrom Product Support for alternative products.
- See Figure 11-5C.

ENSTROM F-28/280 SERIES ILLUSTRATED PARTS CATALOG

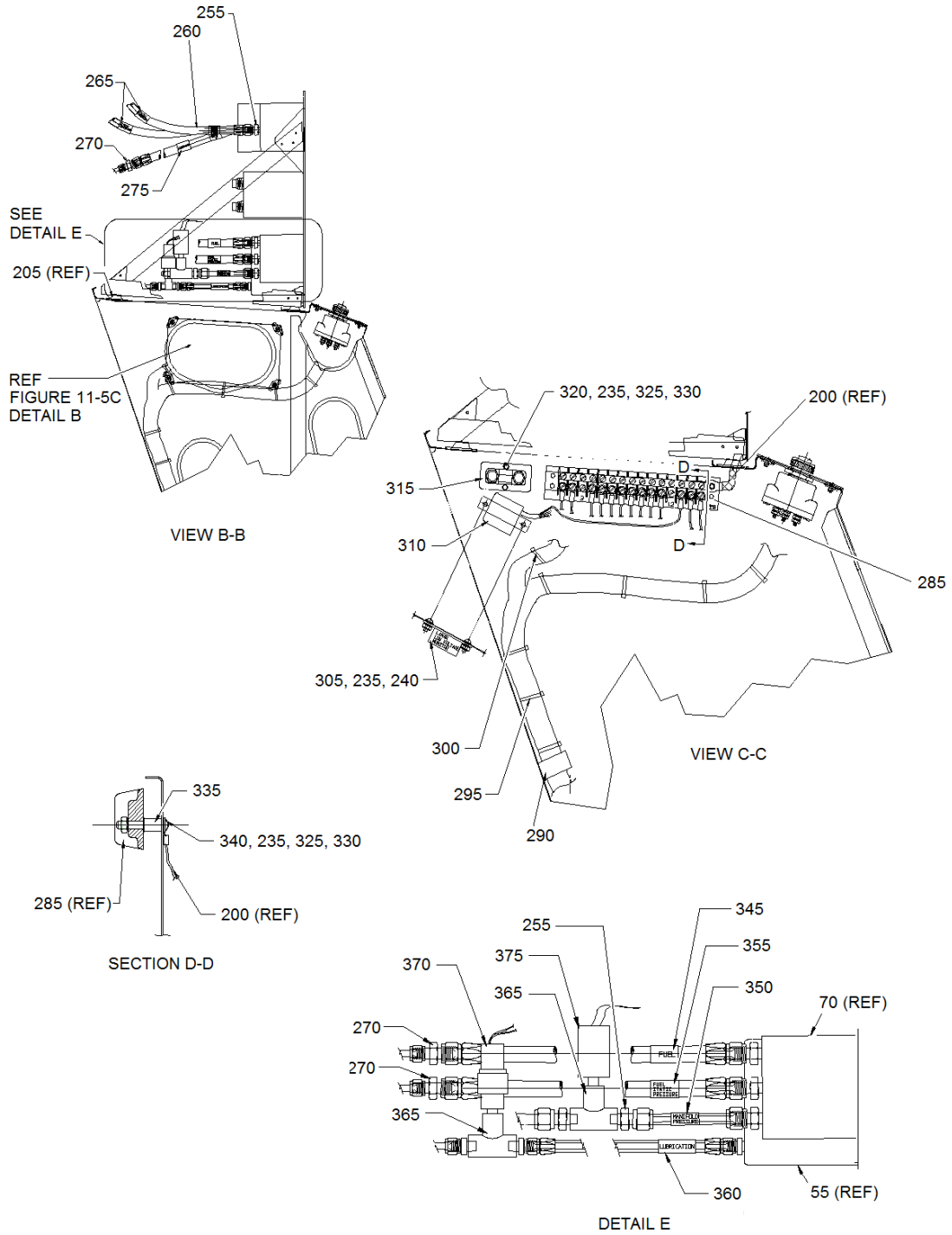


280FX: S/N 2167 AND SUBSEQUENT

Sheet 2 of 4

FIGURE 11-9. 280FX INSTRUMENTS AND INSTRUMENT PANEL

ENSTROM F-28/280 SERIES ILLUSTRATED PARTS CATALOG

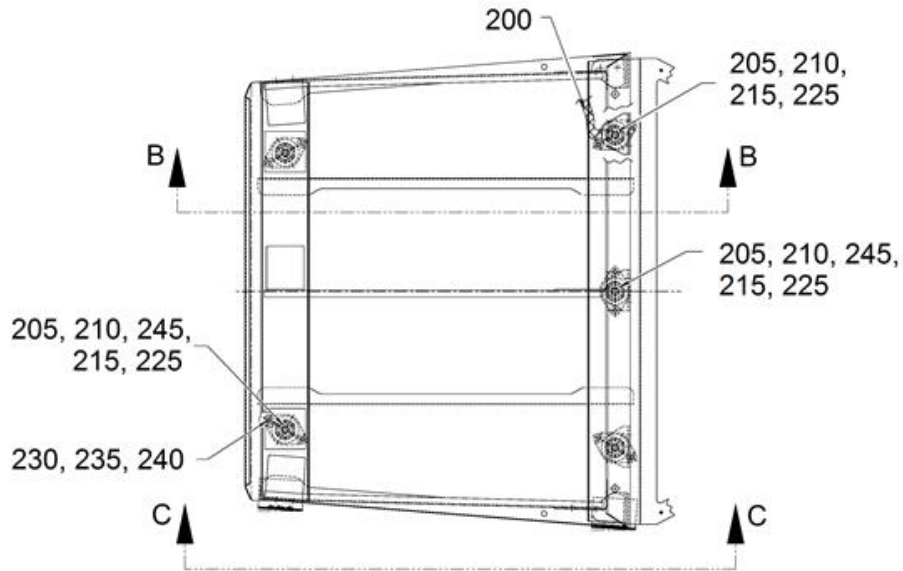
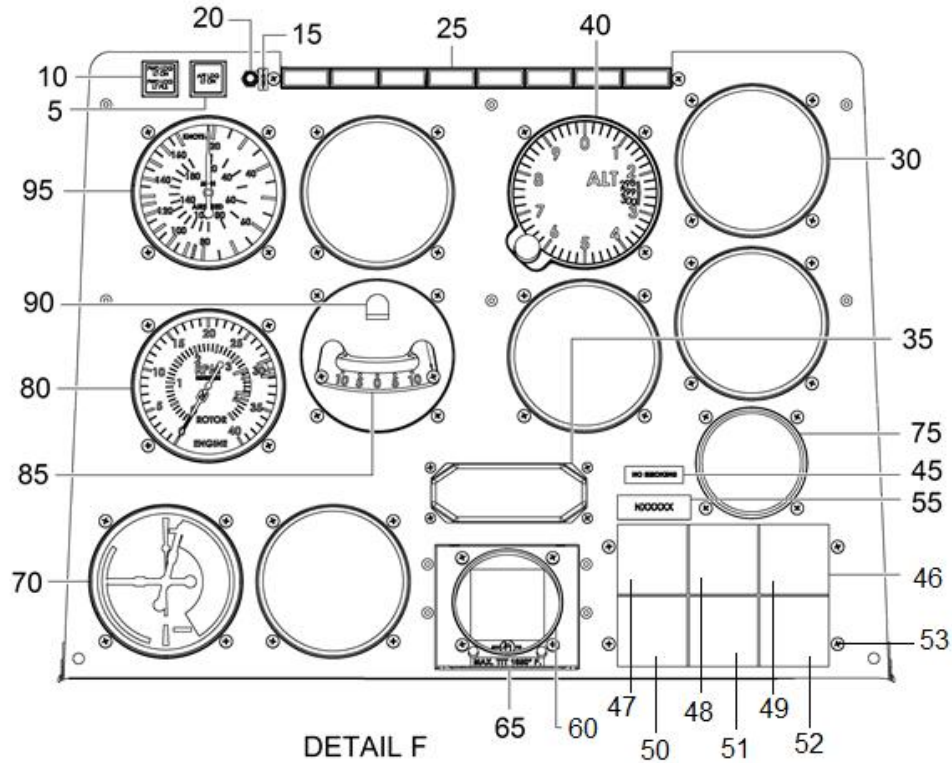


280FX: S/N 2167 AND SUBSEQUENT

Sheet 3 of 4

FIGURE 11-9. 280FX INSTRUMENTS AND INSTRUMENT PANEL

ENSTROM F-28/280 SERIES ILLUSTRATED PARTS CATALOG



INSTRUMENT PANEL LAYOUT MAY VARY DEPENDING ON CUSTOMER PREFERENCES.

280FX: S/N 2167 AND SUBSEQUENT
(WIDE PANEL OPTION)

Sheet 4 of 4

FIGURE 11-9. 280FX INSTRUMENTS AND INSTRUMENT PANEL

ENSTROM F-28/280 SERIES ILLUSTRATED PARTS CATALOG

FIGURE 11-9. 280FX INSTRUMENTS AND INSTRUMENT PANEL

| ITEM NUMBER | PART NUMBER | DESCRIPTION | QTY PER ASSY | MODELS AFFECTED | | | | | | | |
|-------------|---------------------|--|--------------|-----------------|-----|-------|------|-------|------|-------|---|
| | | | | F-28A | 280 | F-28C | 280C | F-28F | 280F | 280FX | |
| - | 28-18099-171 | Instrument Installation 280FX (Narrow) | REF | | | | | | | | X |
| - | 28-18099-173 | Instrument Installation 280FX (Wide) | REF | | | | | | | | X |
| 5 | LED-40-1J-HG2-SBMMF | . Aft Landing Light Annunciator | 1 | | | | | | | | X |
| 10 | LED-40-1J-HG2-SBMMD | . FWD Landing Light Annunciator | 1 | | | | | | | | X |
| 15 | 28-19046-11 | . Placard (TEST) | 1 | | | | | | | | X |
| 20 | 30-1UL | . . Switch | 1 | | | | | | | | X |
| 25 | ECD089-3 | . Light Assembly Annunciator | 1 | | | | | | | | X |
| - | MS35214-15 | . Screw | 2 | | | | | | | | X |
| - | 327 | . Lamp 24V | 16 | | | | | | | | X |
| 30 | 28-18060-11 | . Instrument Cutout Cover | A/R | | | | | | | | X |
| - | MS35214-26 | . Screw | A/R | | | | | | | | X |
| - | NAS1149FN616P | . Washer | A/R | | | | | | | | X |
| - | MS21083N06 | . Nut | A/R | | | | | | | | X |
| 35 | 28-18060-13 | . Cover | 1 | | | | | | | | X |
| - | MS35214-15 | . Screw | 4 | | | | | | | | X |
| - | NAS1149FN416P | . Washer | 4 | | | | | | | | X |
| - | MS21044N04 | . Nut | 4 | | | | | | | | X |
| 40 | 5934PD-3-A.253 | . Altimeter | 1 | | | | | | | | X |
| - | MS35214-31 | . Screw | 3 | | | | | | | | X |
| 45 | 28-19064-1 | . Placard | 1 | | | | | | | | X |
| 46 | ECD071-15 | . Instrument Cluster | 1 | | | | | | | | X |
| 47 | ECD071-103 | . . Fuel Qty. Gauge | 1 | | | | | | | | X |
| 48 | ECD071-104 | . . Oil Temp. MRGB Gauge | 1 | | | | | | | | X |
| 49 | ECD071-105 | . . Ammeter Gauge | 1 | | | | | | | | X |
| 50 | ECD071-106 | . . Eng. Oil Press. Gauge | 1 | | | | | | | | X |
| 51 | ECD071-107 | . . Eng. Oil Temp. Gauge | 1 | | | | | | | | X |
| 52 | ECD071-108 | . . Cylinder Temp. Gauge | 1 | | | | | | | | X |

ENSTROM F-28/280 SERIES ILLUSTRATED PARTS CATALOG

FIGURE 11-9. 280FX INSTRUMENTS AND INSTRUMENT PANEL

| ITEM NUMBER | PART NUMBER | DESCRIPTION | QTY PER ASSY | MODELS AFFECTED | | | | | | | |
|-------------|---------------|---|--------------|-----------------|-----|-------|------|-------|------|-------|---|
| | | | | F-28A | 280 | F-28C | 280C | F-28F | 280F | 280FX | |
| 53 | MS35214-27 | . Screw | 4 | | | | | | | | X |
| 55 | 28-180020-11 | . Placard | 1 | | | | | | | | X |
| 60* | 28-22093-3 | . EDM-700-4C Installation | REF | | | | | | | | X |
| - | AN515-B6R3 | . Screw | 4 | | | | | | | | X |
| 65 | 28-22543-13 | . Placard (Included in Item 60) | REF | | | | | | | | X |
| 70 | ECD077-11 | . Manifold Pressure and Fuel Flow Gauge | 1 | | | | | | | | X |
| - | MS35214-31 | . Screw | 4 | | | | | | | | X |
| 75 | 28-18060-15 | . Cover | 1 | | | | | | | | X |
| - | MS35214-26 | . Screw | 4 | | | | | | | | X |
| - | NAS1149FN616P | . Washer | 4 | | | | | | | | X |
| - | MS21083N06 | . Nut | 4 | | | | | | | | X |
| 80 | ECD072-11 | . Dual Tachometer | 1 | | | | | | | | X |
| - | MS35214-31 | . Screw | 4 | | | | | | | | X |
| 85♦ | 1040 | . Inclinator | 1 | | | | | | | | X |
| 90♦ | 01-0770119-15 | . Post Lite | 1 | | | | | | | | X |
| -♦ | 4196603-23 | . Plug | 1 | | | | | | | | X |
| -♦ | MS35214-30 | . Screw | 2 | | | | | | | | X |
| - | MS35214-26 | . Screw | 4 | | | | | | | | X |
| -♦♦ | NAS1149FN616P | . Washer | 6 | | | | | | | | X |
| -♦♦ | MS21083N06 | . Nut | 6 | | | | | | | | X |
| 95 | 8000 B.853 | . Airspeed Indicator | 1 | | | | | | | | X |
| - | MS35214-31 | . Screw | 4 | | | | | | | | X |
| 100 | ECD112-1 | . Illuminated Panel | 1 | | | | | | | | X |
| 105 | MS24693-BB26 | . Screw | 4 | | | | | | | | X |
| 110 | 7277-5-3 | . Circuit Breaker (3 Amp) | 2 | | | | | | | | X |
| 115 | 7277-5-2 | . Circuit Breaker (2 Amp) | 3 | | | | | | | | X |
| 120 | 7277-5-5 | . Circuit Breaker (5 Amp) | 2 | | | | | | | | X |
| 125 | KN500B1/8 | . Knob | 1 | | | | | | | | X |
| - | 381N-500-S | . Potentiometer | 1 | | | | | | | | X |

ENSTROM F-28/280 SERIES ILLUSTRATED PARTS CATALOG

FIGURE 11-9. 280FX INSTRUMENTS AND INSTRUMENT PANEL

| ITEM NUMBER | PART NUMBER | DESCRIPTION | QTY PER ASSY | MODELS AFFECTED | | | | | | | |
|-------------|---------------|----------------------------------|--------------|-----------------|-----|-------|------|-------|------|-------|---|
| | | | | F-28A | 280 | F-28C | 280C | F-28F | 280F | 280FX | |
| 130 | 7270-1-35 | . Switch (35 Amp) | 1 | | | | | | | | X |
| 135 | 7270-1-3 | . Switch (3 Amp) | 1 | | | | | | | | X |
| 140 | 7270-1-5 | . Switch (5 Amp) | 3 | | | | | | | | X |
| 145 | 7270-1-7½ | . Switch (7½ Amp) | 1 | | | | | | | | X |
| 150 | 12TS15-2 | . Switch-Toggle | 2 | | | | | | | | X |
| 155 | 15PA90-4R | . Cap (red) | 1 | | | | | | | | X |
| 160 | 160-012-70 | . Circuit Breaker | 1 | | | | | | | | X |
| 165 | 10-357290-1 | . Ignition Switch | 1 | | | | | | | | X |
| 170 | ECD112-3 | . Illuminated Radio Panel | 1 | | | | | | | | X |
| 175 | MS24693-BB26 | . Screw | 6 | | | | | | | | X |
| 180 | 1678 | . Plug | 7 | | | | | | | | X |
| 185 | 7101SYZQE | . Switch (Included with Item 60) | REF | | | | | | | | X |
| 200 | 28-19021-10 | . Grounding Strap | 1 | | | | | | | | X |
| 205** | 770001-5 | . Mount | 4 | | | | | | | | X |
| 210** | AN3-12A | . Bolt | 4 | | | | | | | | X |
| 215** | NAS1149F0332P | . Washer | 5 | | | | | | | | X |
| 225** | MS21044N3 | . Nut | 4 | | | | | | | | X |
| 230 | MS35190-253 | . Screw | 8 | | | | | | | | X |
| 235 | NAS1149FN832P | . Washer | 16 | | | | | | | | X |
| 240 | MS21083N08 | . Nut | 10 | | | | | | | | X |
| 245** | NAS1149F0363P | . Washer | 3 | | | | | | | | X |
| 255 | AN816-4D | . Adapter | 10 | | | | | | | | X |
| 260 | 28-18061-1 | . Hose | 7 | | | | | | | | X |
| 265 | 28-12470-11 | . Placard | 2 | | | | | | | | X |
| 270 | AN815-4D | . Coupling | 3 | | | | | | | | X |
| 275 | 28-12472-11 | . Placard | 2 | | | | | | | | X |
| 285 | 28-19123-9 | . Terminal Strip | 1 | | | | | | | | X |
| 290 | 28-19023 | . Clamp | 1 | | | | | | | | X |

ENSTROM F-28/280 SERIES ILLUSTRATED PARTS CATALOG

FIGURE 11-9. 280FX INSTRUMENTS AND INSTRUMENT PANEL

| ITEM NUMBER | PART NUMBER | DESCRIPTION | QTY PER ASSY | MODELS AFFECTED | | | | | | | |
|-------------|-------------|-----------------------|--------------|-----------------|-----|-------|------|-------|------|-------|---|
| | | | | F-28A | 280 | F-28C | 280C | F-28F | 280F | 280FX | |
| 295 | SST2S-MP | . Cable Tie | A/R | | | | | | | | X |
| 300 | SST1.5I-MP | . Cable Tie | A/R | | | | | | | | X |
| 305 | MS35206-244 | . Screw | 2 | | | | | | | | X |
| 310 | B-00378-5 | . Low Voltage Sensor | 1 | | | | | | | | X |
| 315 | 22-370-60 | . Shunt | 1 | | | | | | | | X |
| 320 | MS35206-247 | . Screw | 2 | | | | | | | | X |
| 325 | MS35338-42 | . Lock Washer | 4 | | | | | | | | X |
| 330 | MS35649-282 | . Nut | 4 | | | | | | | | X |
| 335 | 28-18033-1 | . Spacer | 2 | | | | | | | | X |
| 340 | MS35206-250 | . Screw | 2 | | | | | | | | X |
| 345 | 28-12473-11 | . Placard | 2 | | | | | | | | X |
| 350 | 28-12471-11 | . Placard | 2 | | | | | | | | X |
| 355 | 28-12475-11 | . Placard | 2 | | | | | | | | X |
| 360 | 28-12474-11 | . Placard | 2 | | | | | | | | X |
| 365 | AN917-1D | . Tee | 1 | | | | | | | | X |
| 370 | 2335-265-1 | . Oil Pressure Switch | 1 | | | | | | | | X |
| 375 | ECD078-11 | . Pressure Switch | 1 | | | | | | | | X |

– Not illustrated.

◆ Omit these items if an optional attitude gyro, turn and slip gyro with mechanical inclinometer ball, or PFD display with attitude indication is installed.

◆◆ Reduce quantity by two if an optional attitude gyro, turn and slip gyro with mechanical inclinometer ball, or PFD display with attitude indication is installed.

* See Figure 11-5C.

** Increase quantity by one (1) for the 28-18099-173 wide instrument panel.

ENSTROM F-28/280 SERIES ILLUSTRATED PARTS CATALOG

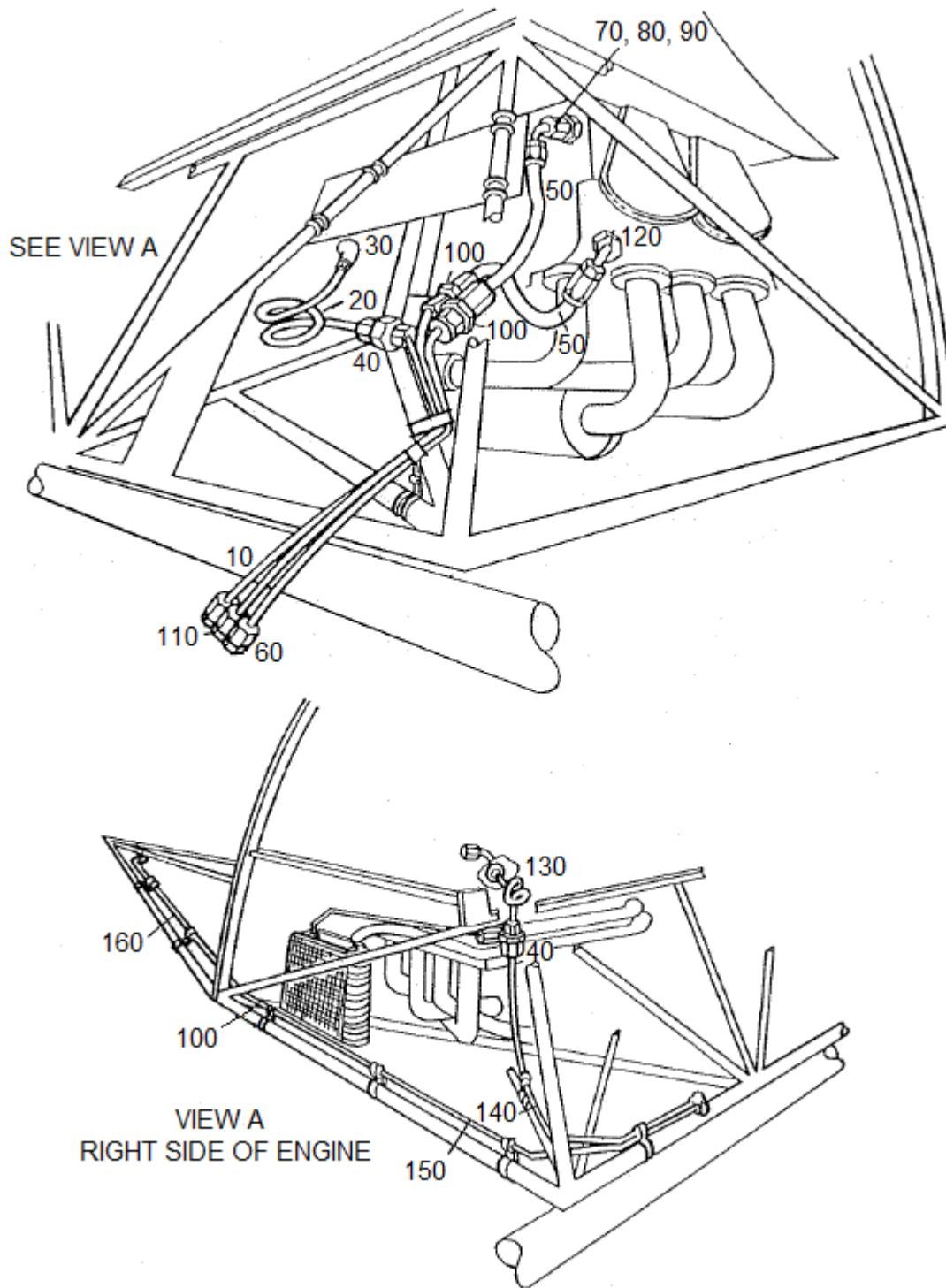


FIGURE 11-10. F-28A AND 280 INSTRUMENT LINE PYLON LOCATION

ENSTROM F-28/280 SERIES ILLUSTRATED PARTS CATALOG

FIGURE 11-10. F-28A AND 280 INSTRUMENT LINE PYLON LOCATION

| ITEM NUMBER | PART NUMBER | DESCRIPTION | QTY PER ASSY | MODELS AFFECTED | | | | | | |
|-------------|---------------|--------------------------|--------------|-----------------|-----|-------|------|-------|------|-------|
| | | | | F-28A | 280 | F-28C | 280C | F-28F | 280F | 280FX |
| 10 | 28-12100-7 | . Oil Pressure Line | 1 | X | X | | | | | |
| 20 | 28-12100-9 | . Oil Pressure Line | 1 | X | X | | | | | |
| 30▲ | MS20822-2 | . Elbow | 2 | X | X | | | | | |
| 40 | AN919-1S | . Reducer | 2 | X | X | | | | | |
| 50 | 601002-4-0120 | . Flex Line-Fuel Vent | 2 | X | X | | | | | |
| 60 | 28-12100-13 | . Fuel Vent Line | 1 | X | X | | | | | |
| 70 | AN832-4D | . Bulkhead Fitting | 1 | X | X | | | | | |
| 80 | AN960-716 | . Washer | 1 | X | X | | | | | |
| 90 | AN924-4D | . Nut | 2 | X | X | | | | | |
| 100 | AN815-4D | . Union | 4 | X | X | | | | | |
| 110 | 28-12100-6 | . Manifold Pressure Line | 1 | X | X | | | | | |
| 120▲ | MS20823-4D | . Elbow 45° | 1 | X | X | | | | | |
| 130 | 28-18103-3 | . Fuel Pressure Line | 1 | X | X | | | | | |
| 140 | 28-18103-5 | . Fuel Pressure Line | 1 | X | X | | | | | |
| 150 | 28-18103-6 | . Pitot Pressure Line | 1 | X | X | | | | | |
| 160 | 28-18103-7 | . Pitot Pressure Line | 1 | X | X | | | | | |

NOTE: Information contained herein represents components as installed at the time of manufacture.

▲ Last three digits of "MS" basic number are the equivalent "AN" part number.

ENSTROM F-28/280 SERIES ILLUSTRATED PARTS CATALOG

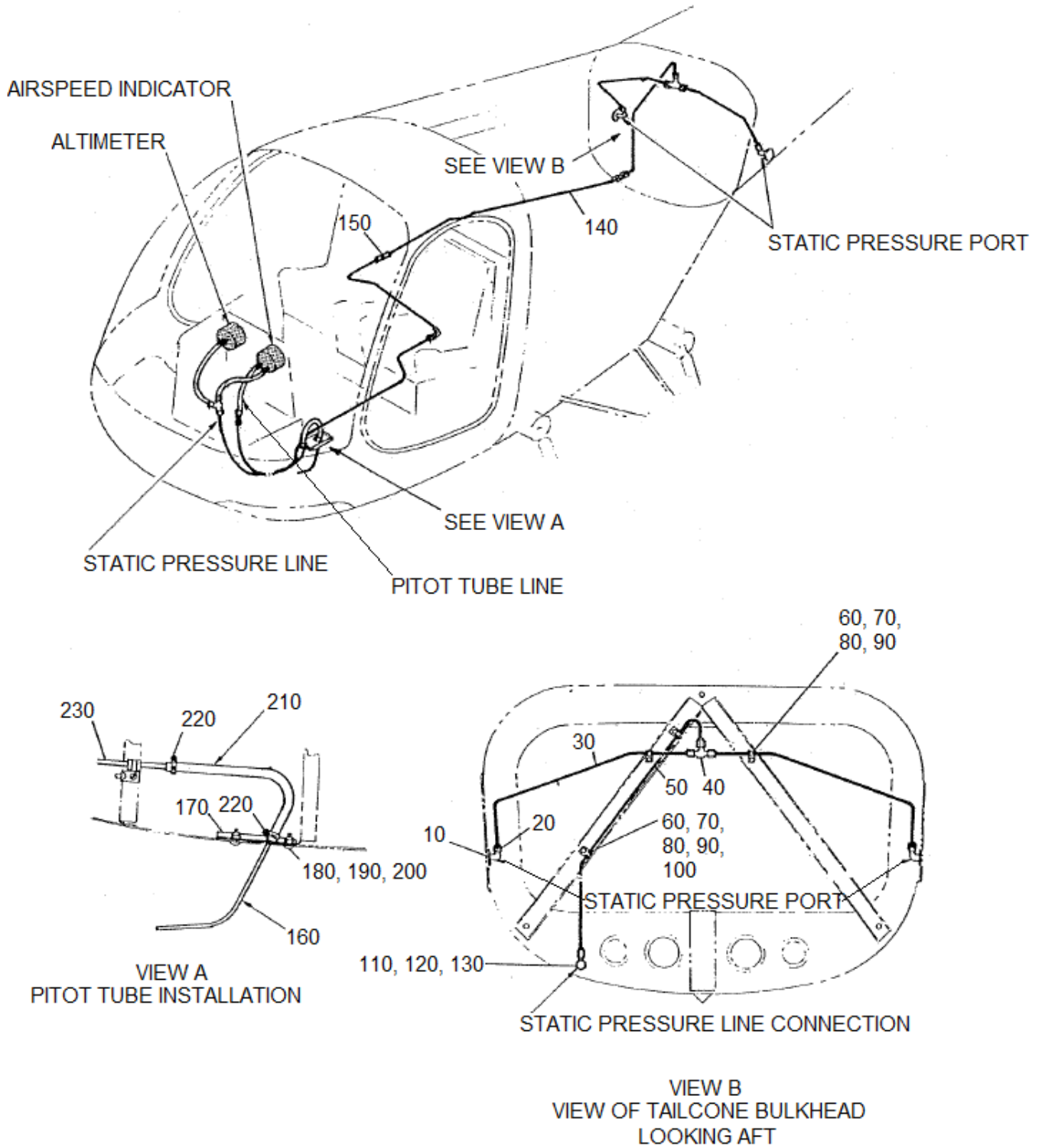


FIGURE 11-11. PITOT STATIC SYSTEM INSTALLATION

ENSTROM F-28/280 SERIES ILLUSTRATED PARTS CATALOG

FIGURE 11-11. PITOT STATIC SYSTEM INSTALLATION

| ITEM NUMBER | PART NUMBER | DESCRIPTION | QTY PER ASSY | MODELS AFFECTED | | | | | | |
|-------------|---------------|--------------------------------------|--------------|-----------------|-----|-------|------|-------|------|-------|
| | | | | F-28A | 280 | F-28C | 280C | F-28F | 280F | 280FX |
| 10 | 28-18103-4 | . Fitting - Vent | 2 | X | X | X | X | X | X | X |
| 20 | AN822-4D | . Elbow | 2 | X | X | X | X | X | X | X |
| 30 | 28-18113-1 | . Static Vent Line | 2 | X | X | X | X | X | X | X |
| 40 | AN834-4D | . Tee Fitting | 1 | X | X | X | X | X | X | X |
| 50 | 28-18112-1 | . Static Vent Line | 1 | X | X | X | X | X | X | X |
| 60 | MS21919F4 | . Clamp | 4 | X | X | X | X | X | X | X |
| 70 | AN526-1032R8 | . Screw | 4 | X | X | X | X | X | X | X |
| 80 | NAS1149C0332R | . Washer | 8 | X | X | X | X | X | X | X |
| 80 | AN960C10L | . Washer (Alternate) | 8 | X | X | X | X | X | X | X |
| 90 | MS21044N3 | . Nut | 4 | X | X | X | X | X | X | X |
| 90 | AN365-1032A | . Nut (Superseded by MS21044N3) | 4 | X | X | X | X | X | X | X |
| 100 | AN743-13 | . Clip | 2 | X | X | X | X | X | X | X |
| 110 | AN832-4D | . Union | 1 | X | X | X | X | X | X | X |
| 120 | NAS1149F0763P | . Washer | 1 | X | X | X | X | X | X | X |
| 120 | AN960-716 | . Washer (Alternate) | 1 | X | X | X | X | X | X | X |
| 130 | AN924-4W | . Nut | 1 | X | X | X | X | X | X | X |
| 130 | AN924-4D | . Nut (Superseded by AN924-4W) | 1 | X | X | X | X | X | X | X |
| 140 | 28-18103-4 | . Vent Air Static | 1 | X | X | X | X | X | X | X |
| -140A | 28-18103-7 | . Pitot Static Pressure | 1 | X | X | X | X | X | X | X |
| 150 | AN815-4 | . Union | 1 | X | X | X | X | X | X | X |
| 160 | 28-11120-1 | . Pitot Tube Assembly | 1 | X | X | X | X | X | X | X |
| 170 | 28-11121-7 | . Stiffener | 1 | X | X | X | X | X | X | X |
| 180 | MS27039-0808 | . Screw | 4 | X | X | X | X | X | X | X |
| 180 | AN525-832R8 | . Screw (Superseded by MS27039-0808) | 4 | X | X | X | X | X | X | X |
| 190 | NAS1149FN832P | . Washer | 4 | X | X | X | X | X | X | X |
| 190 | AN960-8 | . Washer (Alternate) | 4 | X | X | X | X | X | X | X |
| 200 | MS21083N08 | . Nut | 4 | X | X | X | X | X | X | X |
| 200 | AN364-832A | . Nut (Superseded by MS21083N08) | 4 | X | X | X | X | X | X | X |

ENSTROM F-28/280 SERIES ILLUSTRATED PARTS CATALOG

FIGURE 11-11. PITOT STATIC SYSTEM INSTALLATION

| ITEM NUMBER | PART NUMBER | DESCRIPTION | QTY PER ASSY | MODELS AFFECTED | | | | | | |
|-------------|--------------|-----------------------|--------------|-----------------|-----|-------|------|-------|------|-------|
| | | | | F-28A | 280 | F-28C | 280C | F-28F | 280F | 280FX |
| 210 | 28-11121-4 | . Silicone Tube | 1 | X | X | X | X | X | X | X |
| 220 | 551-5 | . Ty-Wrap | 2 | X | X | X | X | X | X | X |
| 230 | 28-11121-901 | . Pitot Pressure Line | 1 | X | X | X | X | X | X | X |

ENSTROM F-28/280 SERIES ILLUSTRATED PARTS CATALOG

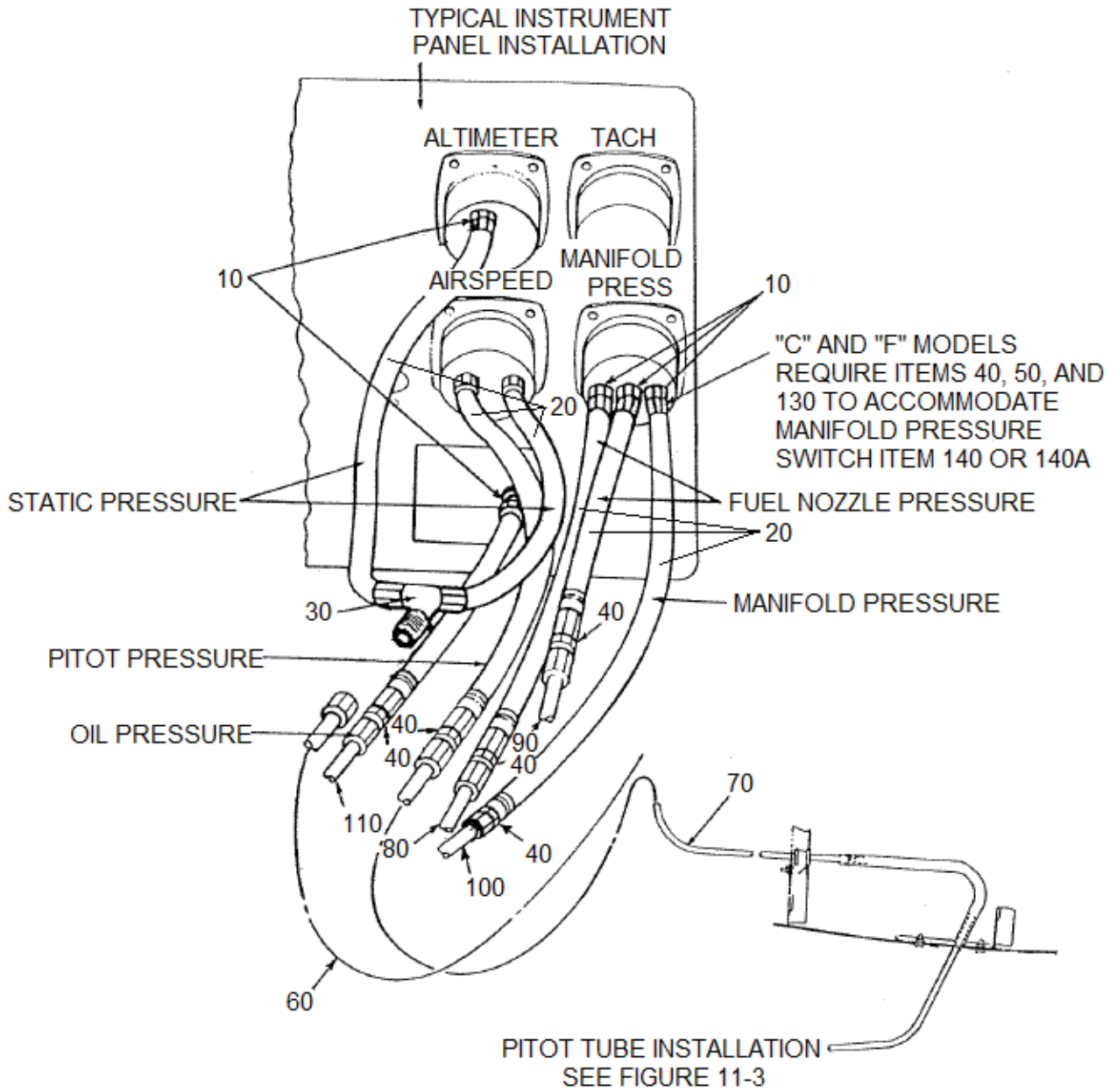


FIGURE 11-12. INSTRUMENT LINES CABIN AND PANEL

ENSTROM F-28/280 SERIES ILLUSTRATED PARTS CATALOG

FIGURE 11-12. INSTRUMENT LINES CABIN AND PANEL

| ITEM NUMBER | PART NUMBER | DESCRIPTION | QTY PER ASSY | MODELS AFFECTED | | | | | | |
|-------------|----------------|----------------------------|--------------|-----------------|-----|-------|------|-------|------|-------|
| | | | | F-28A | 280 | F-28C | 280C | F-28F | 280F | 280FX |
| 10 | AN816-4D | . Nipple | 8 | X | X | X | X | X | X | X |
| 20 | 28-18061-1 | . Hose Assembly | 7 | X | X | X | X | X | X | X |
| 30 | AN824-4D | . Flared Tee | 1 | X | X | X | X | X | X | X |
| 40 | AN815-4D | . Union | 4 | X | X | X | X | X | X | X |
| 50 | AN917-4D | . Internal Thread Tee | 2 | X | X | X | X | X | X | X |
| 60 | 28-18104-907 | . Static Pressure Line | 1 | X | | X | X | X | X | X |
| -60A | 280-181000-919 | . Static Pressure Line | 1 | | X | X | X | X | X | X |
| 70 | 28-11121-901 | . Pitot Pressure Line | 1 | X | | X | X | X | X | X |
| -70A | 280-181000-921 | . Pitot Pressure Line | 1 | | X | X | X | X | X | X |
| 80 | 28-18104-906 | . Fuel Pressure Line | 1 | X | | X | X | X | X | X |
| -80A | 280-181000-917 | . Fuel Pressure Line | 1 | | X | X | X | X | X | X |
| 90 | 28-18104-904 | . Fuel Vent Line | 1 | X | | X | X | X | X | X |
| -90A | 280-181000-913 | . Fuel Vent Line | 1 | | X | X | X | X | X | X |
| 100 | 28-18104-905 | . Manifold Pressure Line | 1 | X | | X | X | X | X | X |
| -100A | 280-181000-915 | . Manifold Pressure Line | 1 | | X | X | X | X | X | X |
| 110 | 28-18104-903 | . Oil Pressure Line | 1 | X | | X | X | X | X | X |
| -110A | 280-181000-911 | . Oil Pressure Line | 1 | | X | X | X | X | X | X |
| 120 | AN911-4D | . Nipple – Hex Shoulder | 1 | | | X | X | X | X | X |
| 130 | AN816-4D | . Fitting | 1 | | | X | X | X | X | X |
| 140 | ECD079-11 | . Manifold Pressure Switch | 1 | | | X | X | | | |
| -140A | ECD078-11 | . Manifold Pressure Switch | 1 | | | | | X | X | X |

ENSTROM F-28/280 SERIES ILLUSTRATED PARTS CATALOG

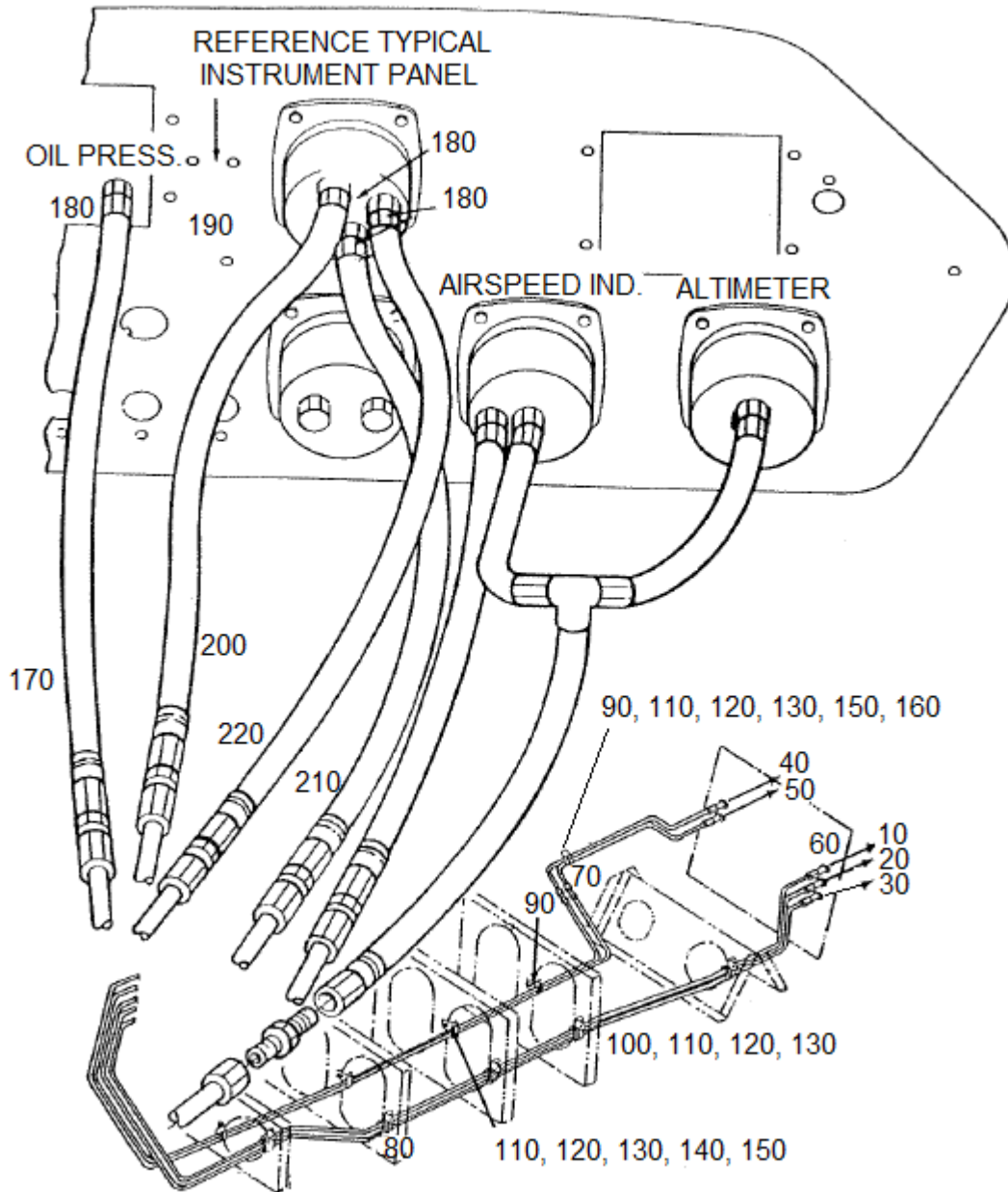


FIGURE 11-13. F-28A AND 280 INSTRUMENT LINES CABIN AND PANEL

ENSTROM F-28/280 SERIES ILLUSTRATED PARTS CATALOG

FIGURE 11-13. F-28A AND 280 INSTRUMENT LINES CABIN AND PANEL

| ITEM NUMBER | PART NUMBER | DESCRIPTION | QTY PER ASSY | MODELS AFFECTED | | | | | | |
|-------------|--------------|---------------------------------------|--------------|-----------------|-----|-------|------|-------|------|-------|
| | | | | F-28A | 280 | F-28C | 280C | F-28F | 280F | 280FX |
| 10 | 28-18104-903 | . Oil Pressure Line | 1 | X | X | | | | | |
| 20 | 28-18104-904 | . Fuel Vent Line | 1 | X | X | | | | | |
| 30 | 28-18104-905 | . Manifold Pressure Line | 1 | X | X | | | | | |
| 40 | 28-18104-906 | . Fuel Pressure Line | 1 | X | X | | | | | |
| 50 | 28-18104-907 | . Pitot Pressure Line | 1 | X | X | | | | | |
| 60 | AN833-4 | . Bulkhead Union Fitting | 5 | X | X | | | | | |
| 70 | AN815-4D | . Union | 2 | X | X | | | | | |
| 80 | 439-4-8-2-6 | . Adel Clamp | 6 | X | X | | | | | |
| 90 | 444-4-4-2-6 | . Adel Clamp | 4 | X | X | | | | | |
| 100 | AN515-8R10 | . Screw | 9 | X | X | | | | | |
| 110 | AN340-8 | . Nut | 19 | X | X | | | | | |
| 120 | AN960-8L | . Washer | 31 | X | X | | | | | |
| 130 | AN935-8 | . Lock Washer | 19 | X | X | | | | | |
| 140 | AN743-13 | . Bracket | 9 | X | X | | | | | |
| 150 | AN515-8R16 | . Screw | 10 | X | X | | | | | |
| 160 | 28-12400-12 | . Spacer | 1 | X | X | | | | | |
| 170 | 28-18061-1 | . Oil Pressure Line Aero-Quip | 1 | X | X | | | | | |
| 180 | AN816-4D | . Coupling | 5 | X | X | | | | | |
| -* | 49726 | . Hobbs Switch | 1 | X | X | | | | | |
| -* | AN917-1D | . Fitting "T" | 1 | X | X | | | | | |
| 190 | AN911-1D | . Fitting | 1 | X | X | | | | | |
| 200 | 28-18061-1 | . Fuel Nozzle Pressure Line | 1 | X | X | | | | | |
| 210 | 28-18061-1 | . Manifold Pressure Line | 1 | X | X | | | | | |
| 220 | 28-18061-1 | . Fuel Nozzle Pressure Reference Line | 1 | X | X | | | | | |

NOTE: Information contained herein represents components as installed at the time of manufacture.

* Optional equipment.

ENSTROM F-28/280 SERIES ILLUSTRATED PARTS CATALOG

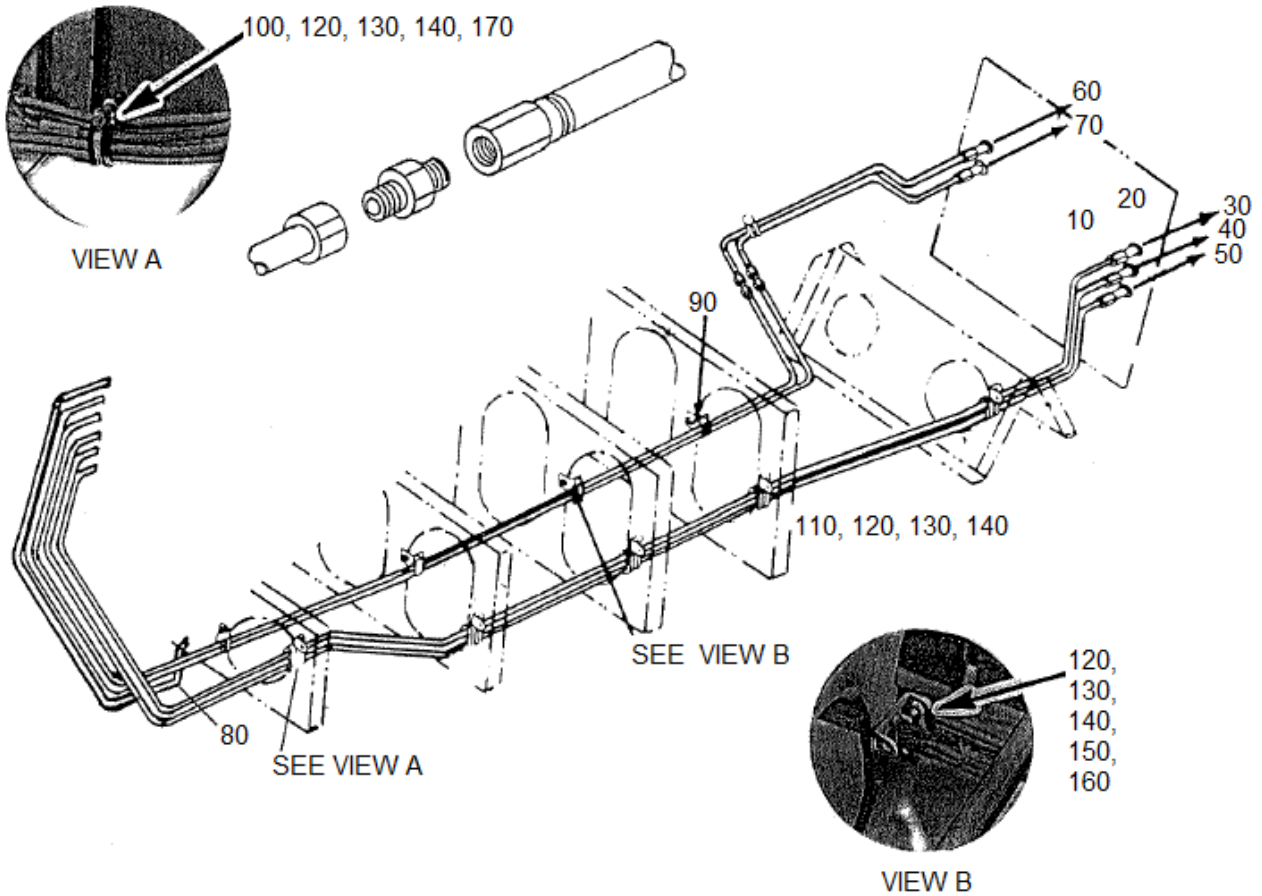


FIGURE 11-14. INSTRUMENT LINE INSTALLATION

ENSTROM F-28/280 SERIES ILLUSTRATED PARTS CATALOG

FIGURE 11-14. INSTRUMENT LINE INSTALLATION

| ITEM NUMBER | PART NUMBER | DESCRIPTION | QTY PER ASSY | MODELS AFFECTED | | | | | | |
|-------------|----------------|-------------------------------------|--------------|-----------------|-----|-------|------|-------|------|-------|
| | | | | F-28A | 280 | F-28C | 280C | F-28F | 280F | 280FX |
| 10 | AN833-4 | . Bulkhead Elbow | 5 | X | X | X | X | X | X | X |
| 20 | AN924-4 | . Nut | 5 | X | X | X | X | X | X | X |
| 30 | 28-18104-3 | . Oil Pressure Line | 1 | X | | | | | | |
| -30A | 280-181000-911 | . Oil Pressure Line | 1 | | X | X | X | X | X | X |
| 40 | 28-18104-4 | . Fuel Vent Line | 1 | X | | | | | | |
| -40A | 280-181000-13 | . Fuel Vent Line | 1 | | X | X | X | X | X | X |
| 50 | 28-18104-5 | . Manifold Pressure Line | 1 | X | | | | | | |
| -50A | 280-181000-915 | . Manifold Pressure Line | 1 | | X | X | X | X | X | X |
| 60* | 28-18104-6 | . Fuel Pressure Line Assembly | 1 | X | | | | | | |
| -60A* | 280-181000-917 | . Fuel Pressure Line Assembly | 1 | | X | X | X | X | X | X |
| 70* | 28-18104-7 | . Static Pressure Line Assembly | 1 | X | | | | | | |
| -70A* | 280-181000-919 | . Static Pressure Line Assembly | 1 | | X | X | X | X | X | X |
| 80 | 28-11121-4 | . Pitot Pressure Line | 1 | X | | | | | | |
| -80A | 280-181000-921 | . Pitot Pressure Line | 1 | | X | X | X | X | X | X |
| 90 | 444-4-4-2-6 | . Adel Clamp | A/R | X | X | X | X | X | X | X |
| 100 | 28-18033-1 | . Spacer | A/R | X | X | X | X | X | X | X |
| 110 | MS35206-249 | . Screw | A/R | X | X | X | X | X | X | X |
| 110 | AN515-8-16 | . Screw (Superseded by MS35206-249) | A/R | X | X | X | X | X | X | X |
| 120 | NAS1149FN816P | . Washer | A/R | X | X | X | X | X | X | X |
| 120 | AN960-8L | . Washer (Alternate) | A/R | X | X | X | X | X | X | X |
| 130 | MS35338-42 | . Locker Washer | A/R | X | X | X | X | X | X | X |
| 130 | AN935-8 | . Lock Washer (Alternate) | A/R | X | X | X | X | X | X | X |
| 140 | MS35649-282 | . Nut | A/R | X | X | X | X | X | X | X |
| 140 | AN340-8 | . Nut (Superseded by MS35649-282) | A/R | X | X | X | X | X | X | X |
| 150 | AN743-13 | . Bracket – Support | A/R | X | X | X | X | X | X | X |
| - | 439-4-8-2-6 | . Adel Clamp | A/R | X | X | X | X | X | X | X |
| - | AN515-8-10 | . Screw | A/R | X | X | X | X | X | X | X |

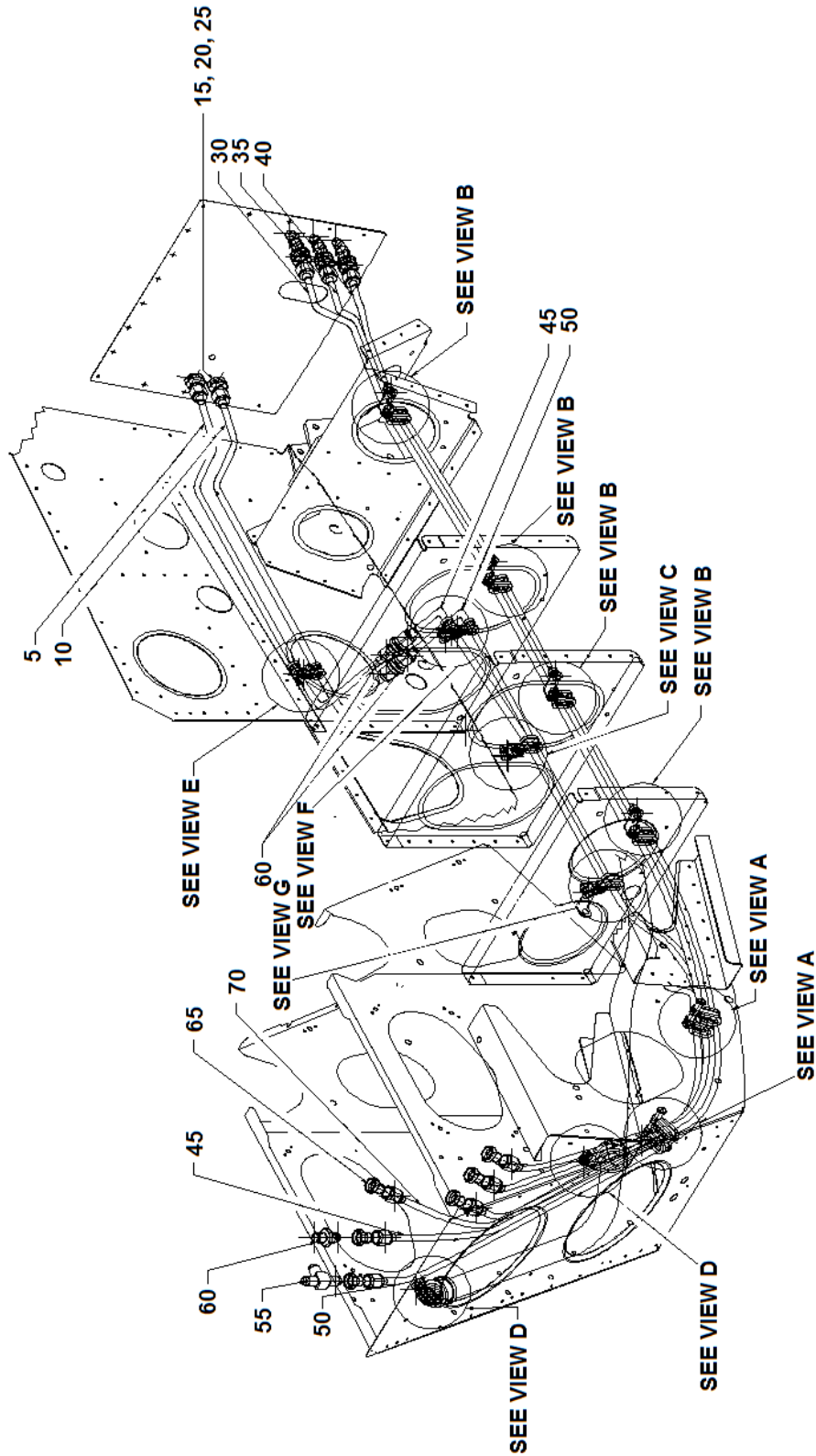
ENSTROM F-28/280 SERIES ILLUSTRATED PARTS CATALOG

FIGURE 11-14. INSTRUMENT LINE INSTALLATION

| ITEM NUMBER | PART NUMBER | DESCRIPTION | QTY PER ASSY | MODELS AFFECTED | | | | | | |
|-------------|---------------|-------------------------------------|--------------|-----------------|-----|-------|------|-------|------|-------|
| | | | | F-28A | 280 | F-28C | 280C | F-28F | 280F | 280FX |
| 160 | AN515-8-8 | . Screw | A/R | X | X | X | X | X | X | X |
| - | MS21919CJ15 | . Clamp | A/R | X | X | X | X | X | X | X |
| - | MS21919-DG-15 | . Clamp (Superseded by MS51919CJ15) | A/R | X | X | X | X | X | X | X |
| 170 | AN515-8-20 | . Screw | A/R | X | | | | | | |
| - | MS35206-251 | . Screw | A/R | | X | X | X | X | X | X |
| - | AN515-8-24 | . Screw (Superseded by MS35206-251) | A/R | | X | X | X | X | X | X |

* Complete line assembly with AN815-4D included in F-28C2 models get 280 model parts.

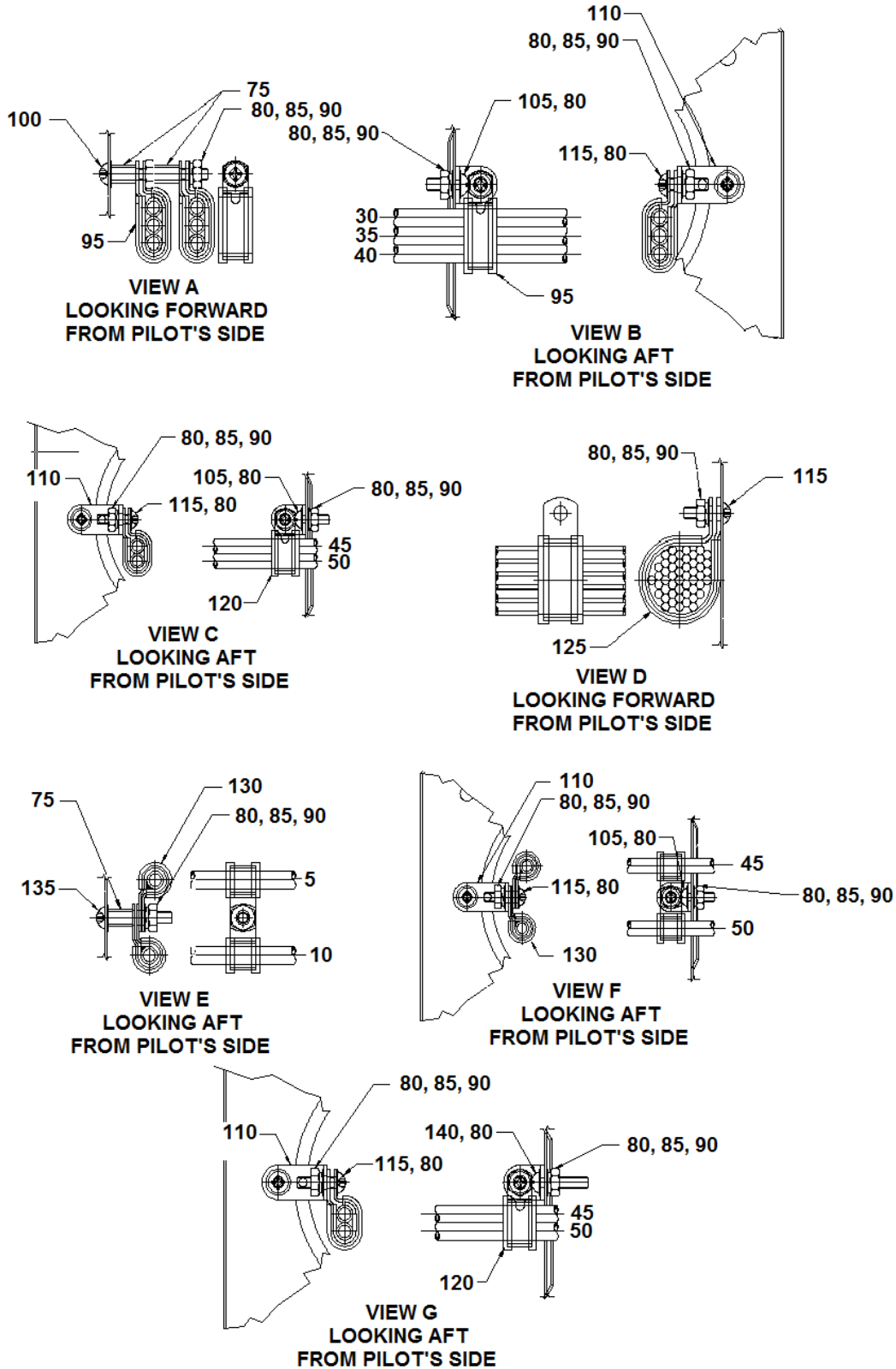
ENSTROM F-28/280 SERIES ILLUSTRATED PARTS CATALOG



Sheet 1 of 2

FIGURE 11-15. INSTRUMENT/SYSTEM LINE INSTALLATION

ENSTROM F-28/280 SERIES ILLUSTRATED PARTS CATALOG



Sheet 2 of 2

FIGURE 11-15. INSTRUMENT/SYSTEM LINE INSTALLATION

ENSTROM F-28/280 SERIES ILLUSTRATED PARTS CATALOG

FIGURE 11-15. INSTRUMENT/SYSTEM LINE INSTALLATION

| ITEM NUMBER | PART NUMBER | DESCRIPTION | QTY PER ASSY | MODELS AFFECTED | | | | | | |
|-------------|---------------|----------------------------------|--------------|-----------------|-----|-------|------|-------|------|-------|
| | | | | F-28A | 280 | F-28C | 280C | F-28F | 280F | 280FX |
| - | 280-181000-1 | Vent Line Installation | REF | | | X | X | X | X | X |
| 5 | 280-181000-17 | . Fuel Pressure Tube | 1 | | | X | X | X | X | X |
| - | AN818-4D | . Nut | 2 | | | X | X | X | X | X |
| - | MS20819-4D | . Sleeve | 2 | | | X | X | X | X | X |
| - | 28-12473-11 | . Placard (FUEL) | 2 | | | X | X | X | X | X |
| 10 | 280-181000-19 | . Static Pressure Tube | 1 | | | X | X | X | X | X |
| - | AN818-4D | . Nut | 2 | | | X | X | X | X | X |
| - | MS20819-4D | . Sleeve | 2 | | | X | X | X | X | X |
| - | 28-12470-11 | . Placard (STATIC PRESSURE) | 2 | | | X | X | X | X | X |
| 15 | AN833-4D | . Union Elbow | 5 | | | X | X | X | X | X |
| 20 | NAS1149F0763P | . Washer | 10 | | | X | X | X | X | X |
| 25 | AN924-4 | . Nut | 5 | | | X | X | X | X | X |
| 30 | 280-181000-11 | . Oil Pressure Tube | 1 | | | X | X | X | X | X |
| - | AN818-4D | . Nut | 2 | | | X | X | X | X | X |
| - | MS20819-4D | . Sleeve | 2 | | | X | X | X | X | X |
| - | 28-12474-11 | . Placard (LUBRICATION) | 2 | | | X | X | X | X | X |
| 35 | 280-181000-13 | . Static Fuel Tube | 1 | | | X | X | X | X | X |
| - | AN818-4D | . Nut | 2 | | | X | X | X | X | X |
| - | MS20819-4D | . Sleeve | 2 | | | X | X | X | X | X |
| - | 28-12475-11 | . Placard (FUEL STATIC PRESSURE) | 2 | | | X | X | X | X | X |
| 40 | 280-181000-15 | . Manifold Pressure Tube | 1 | | | X | X | X | X | X |
| - | AN818-4D | . Nut | 2 | | | X | X | X | X | X |
| - | MS20819-4D | . Sleeve | 2 | | | X | X | X | X | X |
| - | 28-12471-11 | . Placard (MANIFOLD PRESSURE) | 2 | | | X | X | X | X | X |
| 45 | 280-181000-23 | . Fuel Pressure Tube | 1 | | | X | X | X | X | X |
| - | AN818-4D | . Nut | 2 | | | X | X | X | X | X |

ENSTROM F-28/280 SERIES ILLUSTRATED PARTS CATALOG

FIGURE 11-15. INSTRUMENT/SYSTEM LINE INSTALLATION

| ITEM NUMBER | PART NUMBER | DESCRIPTION | QTY PER ASSY | MODELS AFFECTED | | | | | | |
|-------------|---------------|-----------------------------|--------------|-----------------|-----|-------|------|-------|------|-------|
| | | | | F-28A | 280 | F-28C | 280C | F-28F | 280F | 280FX |
| - | MS20819-4D | . Sleeve | 2 | | | X | X | X | X | X |
| - | 28-12473-11 | . Placard (FUEL) | 2 | | | X | X | X | X | X |
| 50 | 280-181000-25 | . Static Pressure Tube | 1 | | | X | X | X | X | X |
| - | AN818-4D | . Nut | 2 | | | X | X | X | X | X |
| - | MS20819-4D | . Sleeve | 2 | | | X | X | X | X | X |
| - | 28-12470-11 | . Placard (STATIC PRESSURE) | 2 | | | X | X | X | X | X |
| 55 | AN824-4D | . Tee | 1 | | | X | X | X | X | X |
| 60 | AN815-4D | . Union | 7 | | | X | X | X | X | X |
| 65 | NO NUMBER | . Protective Cap/Plug | 6 | | | X | X | X | X | X |
| 70 | 280-181000-21 | . Air Speed Tube | 1 | | | X | X | X | X | X |
| - | AN818-4D | . Nut | 1 | | | X | X | X | X | X |
| - | MS20819-4D | . Sleeve | 1 | | | X | X | X | X | X |
| - | 28-12472-11 | . Placard (AIRSPEED) | 2 | | | X | X | X | X | X |
| 75 | 28-18033-11 | . Spacer | 5 | | | X | X | X | X | X |
| 80 | NAS1149FN816P | . Washer | 36 | | | X | X | X | X | X |
| 85 | MS35338-42 | . Lock Washer | 19 | | | X | X | X | X | X |
| 90 | MS35649-282 | . Nut | 21 | | | X | X | X | X | X |
| 95 | 439-4-8-2-6 | . Clamp | 8 | | | X | X | X | X | X |
| 100 | MS35206-251 | . Screw | 2 | | | X | X | X | X | X |
| 105 | MS35206-245 | . Screw | 6 | | | X | X | X | X | X |
| 110 | AN743-13 | . Bracket | 7 | | | X | X | X | X | X |
| 115 | MS35206-246 | . Screw | 9 | | | X | X | X | X | X |
| 120 | 444-4-2-6 | . Clamp | 2 | | | X | X | X | X | X |
| 125 | MS21919WDG15 | . Clamp | 2 | | | X | X | X | X | X |
| 130 | MS21919WF4 | . Clamp | 4 | | | X | X | X | X | X |
| 135 | MS35206-249 | . Screw | 1 | | | X | X | X | X | X |

ENSTROM F-28/280 SERIES ILLUSTRATED PARTS CATALOG

FIGURE 11-15. INSTRUMENT/SYSTEM LINE INSTALLATION

| ITEM NUMBER | PART NUMBER | DESCRIPTION | QTY PER ASSY | MODELS AFFECTED | | | | | | |
|-------------|-------------|-------------|--------------|-----------------|-----|-------|------|-------|------|-------|
| | | | | F-28A | 280 | F-28C | 280C | F-28F | 280F | 280FX |
| 140 | MS35206-247 | . Screw | 1 | | | X | X | X | X | X |

ENSTROM F-28/280 SERIES ILLUSTRATED PARTS CATALOG

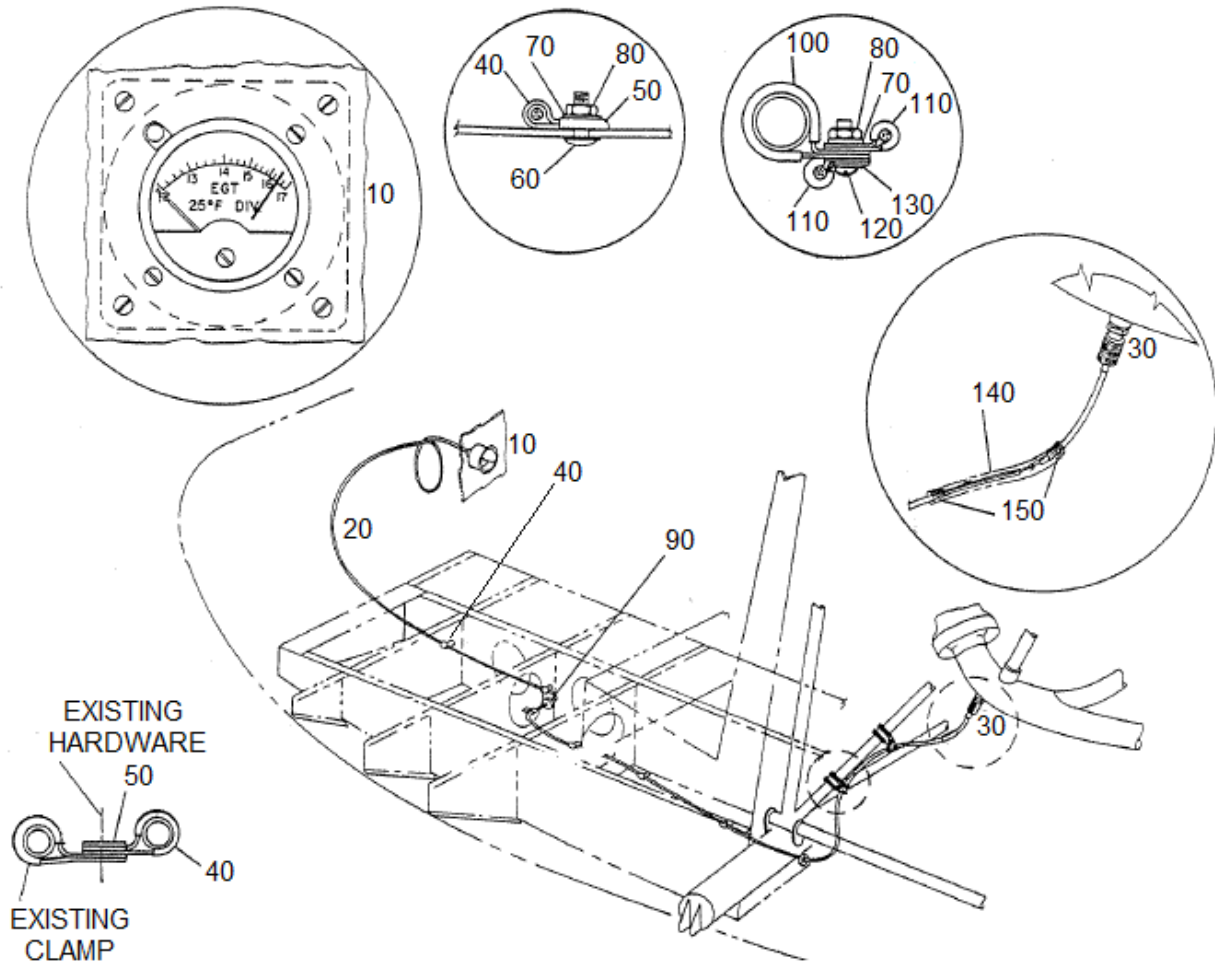


FIGURE 11-16. TURBINE INLET TEMPERATURE INDICATOR INSTALLATION

ENSTROM F-28/280 SERIES ILLUSTRATED PARTS CATALOG

FIGURE 11-16. TURBINE INLET TEMPERATURE INDICATOR INSTALLATION

| ITEM NUMBER | PART NUMBER | DESCRIPTION | QTY PER ASSY | MODELS AFFECTED | | | | | | |
|-------------|---------------|-------------------------------------|--------------|-----------------|-----|-------|------|-------|------|-------|
| | | | | F-28A | 280 | F-28C | 280C | F-28F | 280F | 280FX |
| 10 | 202A-13BTR | . Gauge | 1 | | | X | X | X | X | X |
| 20 | MC1-106-140 | . Extension Lead | 1 | | | X | X | X | X | X |
| 30 | MC1-A106B | . Probe Assembly | 1 | | | X | X | X | X | X |
| 40 | CCH25-S10 | . Clamp | 6 | | | X | X | X | X | X |
| 40 | 1/4-6NA | . Clamp (Superseded by CCH25-S10) | 6 | | | X | X | X | X | X |
| 50 | DG-167 | . D Washer | 6 | | | X | X | X | X | X |
| 60 | MS27039-808 | . Screw | 4 | | | X | X | X | X | X |
| 60 | AN525-832R8 | . Screw (Superseded by MS27039-808) | 4 | | | X | X | X | X | X |
| 70 | MS35338-42 | . Lock Washer | 6 | | | X | X | X | X | X |
| 70 | AN935-8 | . Lock Washer (Alternate) | 6 | | | X | X | X | X | X |
| 80 | MS35649-282 | . Nut | 6 | | | X | X | X | X | X |
| 80 | AN340-8 | . Nut (Superseded by MS25649-282) | 6 | | | X | X | X | X | X |
| 90 | MS35489-6 | . Grommet | 3 | | | X | X | X | X | X |
| 90 | AN931-4-7 | . Grommet (Superseded by MS35489-6) | 3 | | | X | X | X | X | X |
| 100 | MS21919DF-12 | . Clamp | 2 | | | X | X | X | X | X |
| 110 | MS21919DF-3 | . Clamp | 2 | | | X | X | X | X | X |
| 120 | MS35206-246 | . Screw | 2 | | | X | X | X | X | X |
| 120 | AN515-8R10 | . Screw (Superseded by MS35206-246) | 2 | | | X | X | X | X | X |
| 130 | NAS1149FN816P | . Washer | 4 | | | X | X | X | X | X |
| 130 | AN960-8L | . Washer (Alternate) | 4 | | | X | X | X | X | X |
| 140 | 28-181005-13 | . Sleeve | 1 | | | X | X | X | X | X |
| 150 | CBR3S-M | . Cable Tie | 2 | | | X | X | X | X | X |
| 150 | SST2S-MP | . Cable Tie (Alternate) | 2 | | | X | X | X | X | X |

ENSTROM F-28/280 SERIES ILLUSTRATED PARTS CATALOG

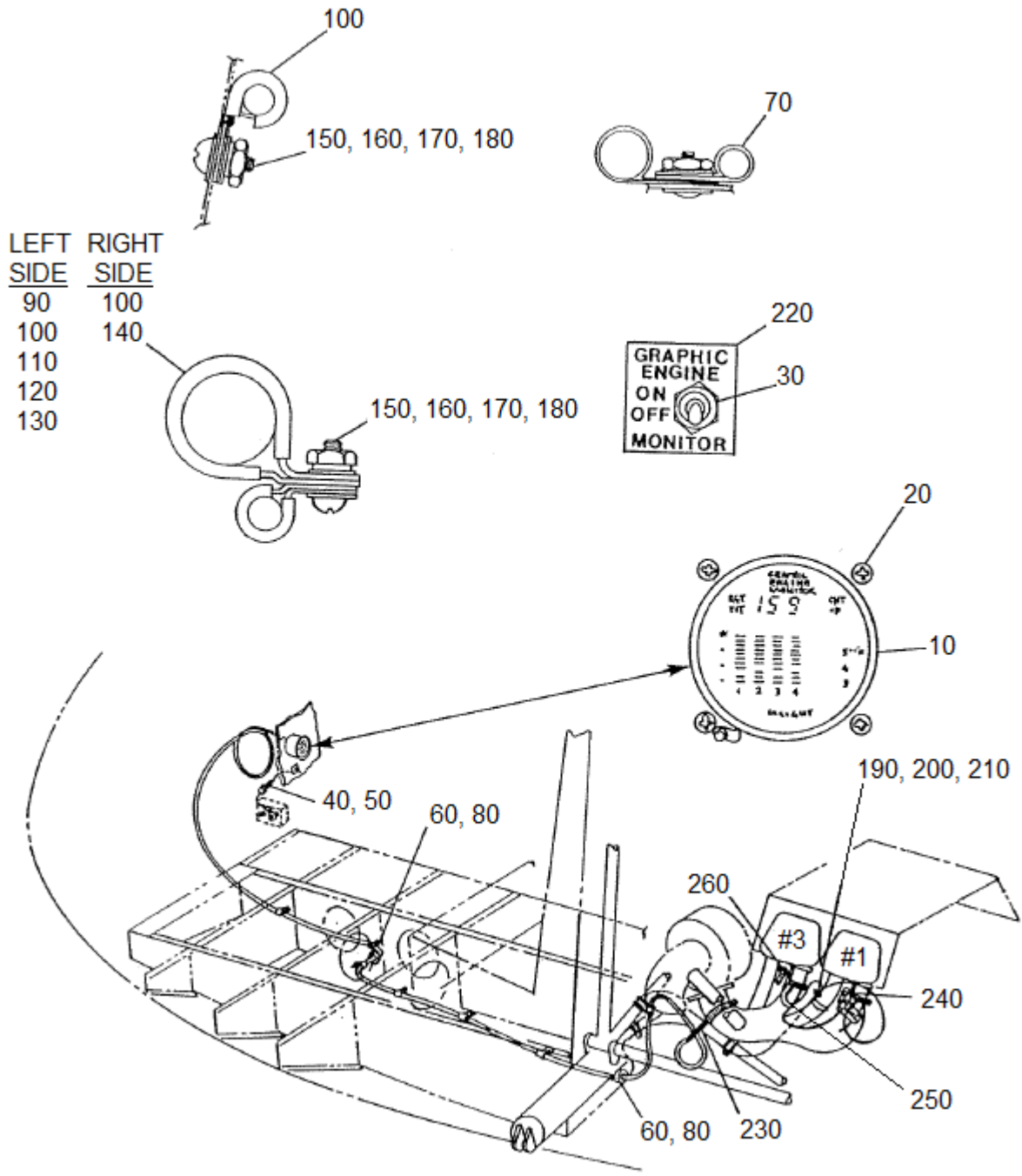


FIGURE 11-17. GRAPHIC ENGINE MONITOR

ENSTROM F-28/280 SERIES ILLUSTRATED PARTS CATALOG

FIGURE 11-17. GRAPHIC ENGINE MONITOR

| ITEM NUMBER | PART NUMBER | DESCRIPTION | QTY PER ASSY | MODELS AFFECTED | | | | | | |
|-------------|--------------|--------------------------------------|--------------|-----------------|-----|-------|------|-------|------|-------|
| | | | | F-28A | 280 | F-28C | 280C | F-28F | 280F | 280FX |
| - | 28-01026-3 | Graphic Engine Monitor (GEM 610) Kit | REF | | | | | X | X | X |
| 10 | GEM 610 | . Graphic Engine Monitor | 1 | | | | | X | X | X |
| 20 | AN515-6R3 | . Screw | 4 | | | | | X | X | X |
| 30 | 7101SYZQE | . Switch | 1 | | | | | X | X | X |
| 30 | MS75028-22 | . Switch (Superseded by 7101SYZQE) | 1 | | | | | X | X | X |
| 40 | HHJ-A | . Fuse Holder – Inline | 1 | | | | | X | X | X |
| 50 | 3AG-1A | . Fuse | 1 | | | | | X | X | X |
| 60 | MS35489-11 | . Grommet | 3 | | | | | X | X | X |
| 60 | AN931-6-10 | . Grommet (Superseded by MS35489-11) | 3 | | | | | X | X | X |
| 70 | CCH25-S10 | . Clamp | 6 | | | | | X | X | X |
| 80 | MS35489-6 | . Grommet | 3 | | | | | X | X | X |
| 80 | AN931-4-7 | . Grommet (Superseded by MS35489-6) | 3 | | | | | X | X | X |
| 90 | MS21919WCJ3 | . Clamp | 1 | | | | | X | X | X |
| 90 | MS21919DG3 | . Clamp Superseded by MS21919WCJ3) | 1 | | | | | X | X | X |
| 100 | MS21919WCJ4 | . Clamp | 8 | | | | | X | X | X |
| 100 | MS21919F4 | . Clamp (Superseded by MS21919WCJ4) | 8 | | | | | X | X | X |
| 110 | MS21919WCJ6 | . Clamp | 1 | | | | | X | X | X |
| 110 | MS21919F6 | . Clamp (Superseded by MS21919WCJ6) | 1 | | | | | X | X | X |
| 120 | MS21919WCJ10 | . Clamp | 1 | | | | | X | X | X |
| 120 | MS21919F10 | . Clamp (Superseded by MS21919WCJ10) | 1 | | | | | X | X | X |
| 130 | MS21919WCJ12 | . Clamp | 2 | | | | | X | X | X |
| 130 | MS21919DF12 | . Clamp (Superseded by MS21919WCJ12) | 2 | | | | | X | X | X |
| 140 | MS21919WCJ16 | . Clamp | 1 | | | | | X | X | X |

ENSTROM F-28/280 SERIES ILLUSTRATED PARTS CATALOG

FIGURE 11-17. GRAPHIC ENGINE MONITOR

| ITEM NUMBER | PART NUMBER | DESCRIPTION | QTY PER ASSY | MODELS AFFECTED | | | | | | |
|-------------|-----------------|--|--------------|-----------------|-----|-------|------|-------|------|-------|
| | | | | F-28A | 280 | F-28C | 280C | F-28F | 280F | 280FX |
| 140 | MS21919DF16 | . Clamp (Superseded by MS21919WCJ16) | 1 | | | | | X | X | X |
| 150 | MS35206-245 | . Screw | 12 | | | | | X | X | X |
| 150 | AN515-8R8 | . Screw (Superseded by MS35206-245) | 12 | | | | | X | X | X |
| 160 | NAS1149FN816P | . Washer | 2 | | | | | X | X | X |
| 160 | AN960-8L | . Washer (Alternate) | 2 | | | | | X | X | X |
| 170 | MS35338-42 | . Lock Washer | 12 | | | | | X | X | X |
| 170 | AN935-8 | . Lock Washer (Alternate) | 12 | | | | | X | X | X |
| 180 | MS35649-282 | . Nut | 12 | | | | | X | X | X |
| 180 | AN340-832 | . Nut (Superseded by MS35649-282) | 12 | | | | | X | X | X |
| 190 | CBR1M-M | . Cable Tie | 30 | | | | | X | X | X |
| 190 | CBR2M-M | . Cable Tie (Alternate) | 30 | | | | | X | X | X |
| 190 | SST1M-MP | . Cable Tie (Alternate) | 30 | | | | | X | X | X |
| 200 | CBR3I-M | . Cable Tie | 10 | | | | | X | X | X |
| 200 | CBR1.5I-M | . Cable Tie (Alternate) | 10 | | | | | X | X | X |
| 200 | SST1.5I-MP | . Cable Tie (Alternate) | 10 | | | | | X | X | X |
| 210 | CBR3S-M | . Cable Tie | 10 | | | | | X | X | X |
| 210 | SST2S-MP | . Cable Tie (Alternate) | 10 | | | | | X | X | X |
| - | LW-18959-175-34 | . Clamp | 6 | | | | | X | X | X |
| - | 28-01026-11 | . Sleeve | A/R | | | | | X | X | X |
| 220 | 28-22543-11 | . Placard- Switch | 1 | | | | | X | X | X |
| 230 | 2871 | . Turbo Inlet Temperature Probe | 1 | | | | | X | X | X |
| 240 | 2852 | . Cylinder Head Temperature Probe | 3 | | | | | X | X | X |
| 250 | 2870 | . Exhaust Gas Temperature Probe | 4 | | | | | X | X | X |
| 260 | 2855 | . Dual Cylinder Head Temperature Probe | 1 | | | | | X | X | X |

ENSTROM F-28/280 SERIES ILLUSTRATED PARTS CATALOG

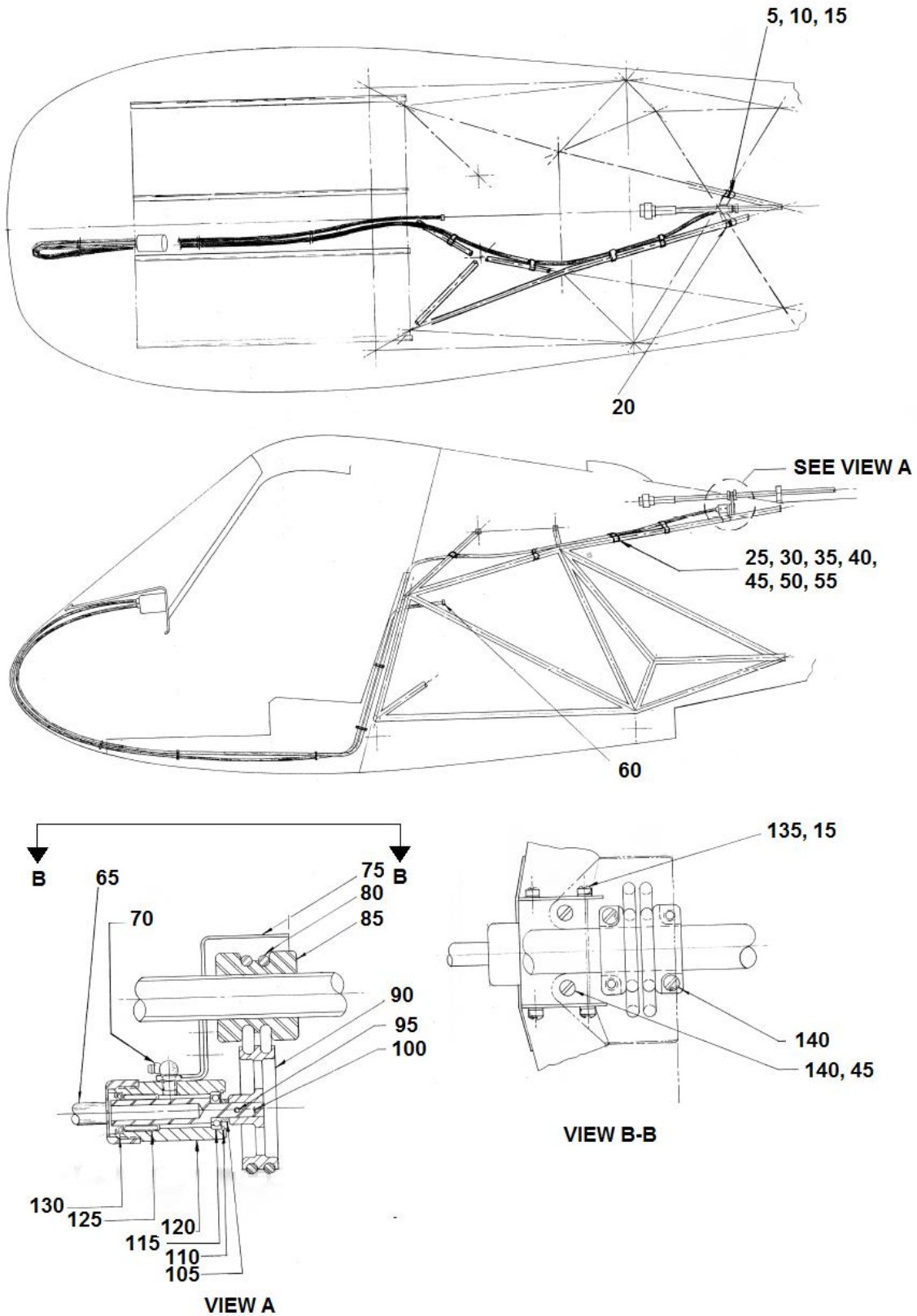


FIGURE 11-18. MECHANICAL TACHOMETER DRIVE INSTALLATION

ENSTROM F-28/280 SERIES ILLUSTRATED PARTS CATALOG

FIGURE 11-18. MECHANICAL TACHOMETER DRIVE INSTALLATION

| ITEM NUMBER | PART NUMBER | DESCRIPTION | QTY PER ASSY | MODELS AFFECTED | | | | | | |
|-------------|-----------------|--|--------------|-----------------|-----|-------|------|-------|------|-------|
| | | | | F-28A | 280 | F-28C | 280C | F-28F | 280F | 280FX |
| - | 28-18020-1 | Mechanical Tachometer Drive Installation | REF | | | X | X | X | X | X |
| - | 28-18020-5 | Tachometer Assembly | REF | | | X | X | X | X | X |
| - | 28-18020-7 | Tachometer Bracket Assembly | REF | | | X | X | X | X | X |
| 5 | AN3-11A | . Bolt, Machined | 4 | | | X | X | X | X | X |
| 10 | AN365-1032A | . Nut | 4 | | | X | X | X | X | X |
| 15 | AN960-10 | . Washer | 12 | | | X | X | X | X | X |
| 20 | 28-18028-1 | . Bracket | 1 | | | X | X | X | X | X |
| 25 | MS21919WDG-5 | . Clamp | 4 | | | X | X | X | X | X |
| 30 | MS21919WDG-14 | . Clamp | 3 | | | X | X | X | X | X |
| 35 | MS21919WDG-12 | . Clamp | 1 | | | X | X | X | X | X |
| 40 | AN515-8-R8 | . Screw | 4 | | | X | X | X | X | X |
| 45 | AN960-8 | . Washer | A/R | | | X | X | X | X | X |
| 50 | AN340-832 | . Nut | 4 | | | X | X | X | X | X |
| 55 | AN935-8 | . Lock Washer | 4 | | | X | X | X | X | X |
| 60 | ECD108-1 | . Engine Tach Cable | 1 | | | X | X | X | X | X |
| 65 | ECD108-3 | . Rotor Tach Cable | 1 | | | X | X | X | X | X |
| 70 | 1911-B1 | . Alemite Fitting | 1 | | | X | X | X | X | X |
| 75 | 28-18031-3 | . Pulley Weather Guard | 1 | | | X | X | X | X | X |
| 80 | NAS1611-333A | . O-Ring | 2 | | | X | X | X | X | X |
| 85 | 28-18027-1 | . Driver Pulley | 1 | | | X | X | X | X | X |
| 90 | 28-18030-1 | . Driven Pulley | 1 | | | X | X | X | X | X |
| 95 | 79-012-062-0500 | . Roll Pin | 1 | | | X | X | X | X | X |
| 100 | 28-18024-5 | . Drive Shaft Assembly | 1 | | | X | X | X | X | X |
| 105 | 28-18034-1 | . Spacer | 1 | | | X | X | X | X | X |
| 110 | N5000-62-PP | . Retaining Ring | 1 | | | X | X | X | X | X |
| 115 | ECD066-1 | . Bearing | 1 | | | X | X | X | X | X |
| 120 | 28-18026-3 | . Output Housing | 1 | | | X | X | X | X | X |

ENSTROM F-28/280 SERIES ILLUSTRATED PARTS CATALOG

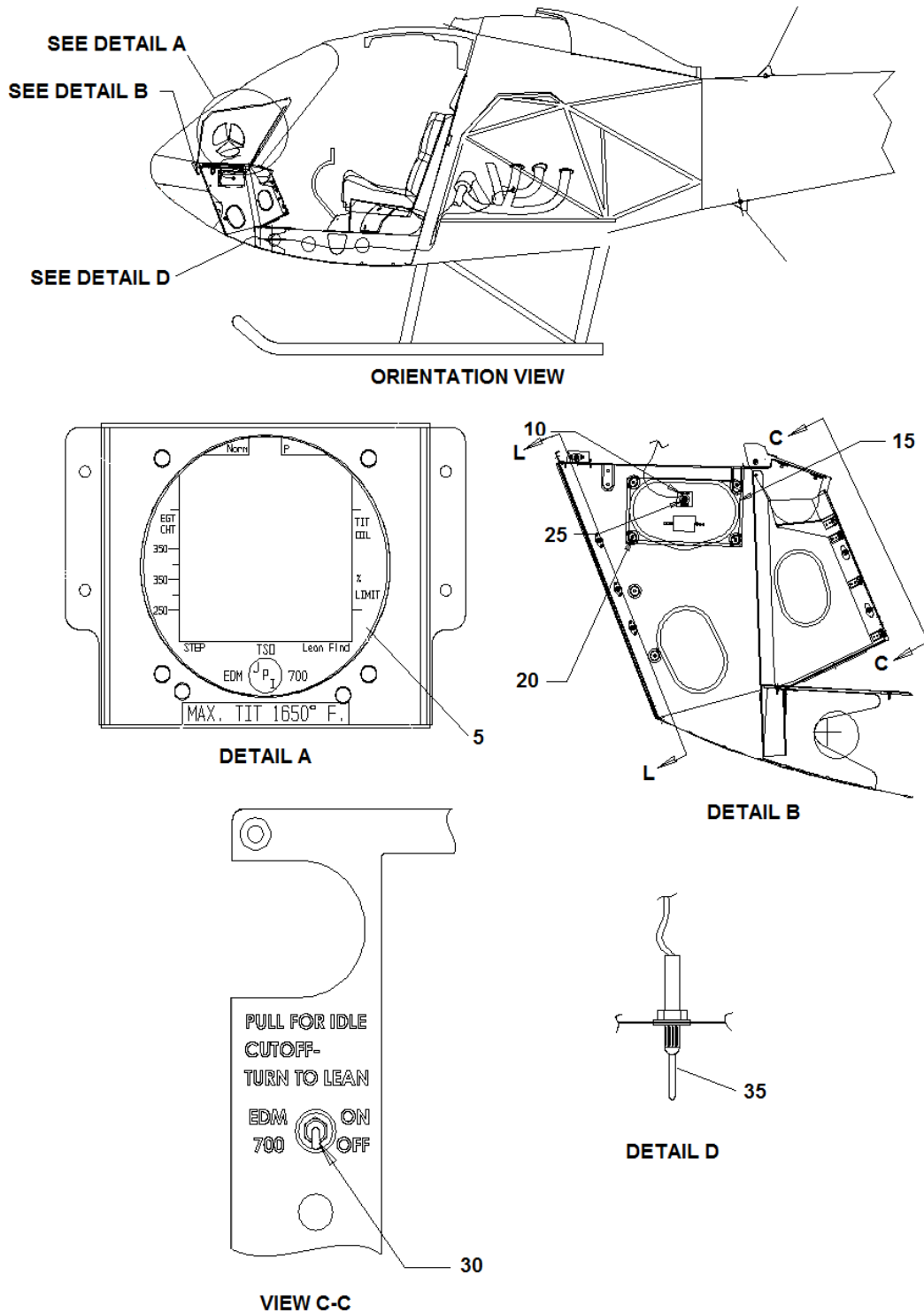
FIGURE 11-18. MECHANICAL TACHOMETER DRIVE INSTALLATION

| ITEM NUMBER | PART NUMBER | DESCRIPTION | QTY PER ASSY | MODELS AFFECTED | | | | | | |
|-------------|-------------|-------------------------------|--------------|-----------------|-----|-------|------|-------|------|-------|
| | | | | F-28A | 280 | F-28C | 280C | F-28F | 280F | 280FX |
| 125 | B-710 | . Needle Bearing | 1 | | | X | X | X | X | X |
| 130 | 1886 | . Type TC Oil Seal | 1 | | | X | X | X | X | X |
| 130 | B44-28-2 | . Type B Oil Seal (Alternate) | 1 | | | X | X | X | X | X |
| 135Δ | NK501-10-6 | . Screw | 4 | | | X | X | X | X | X |
| 140◆ | NK500-8-A/R | . Screw | A/R | | | X | X | X | X | X |

Δ NP501-10() screws are an acceptable alternate for NK501-10() screws.

◆ NP500-8() screws are an acceptable alternate for NK500-8() screws.

ENSTROM F-28/280 SERIES ILLUSTRATED PARTS CATALOG

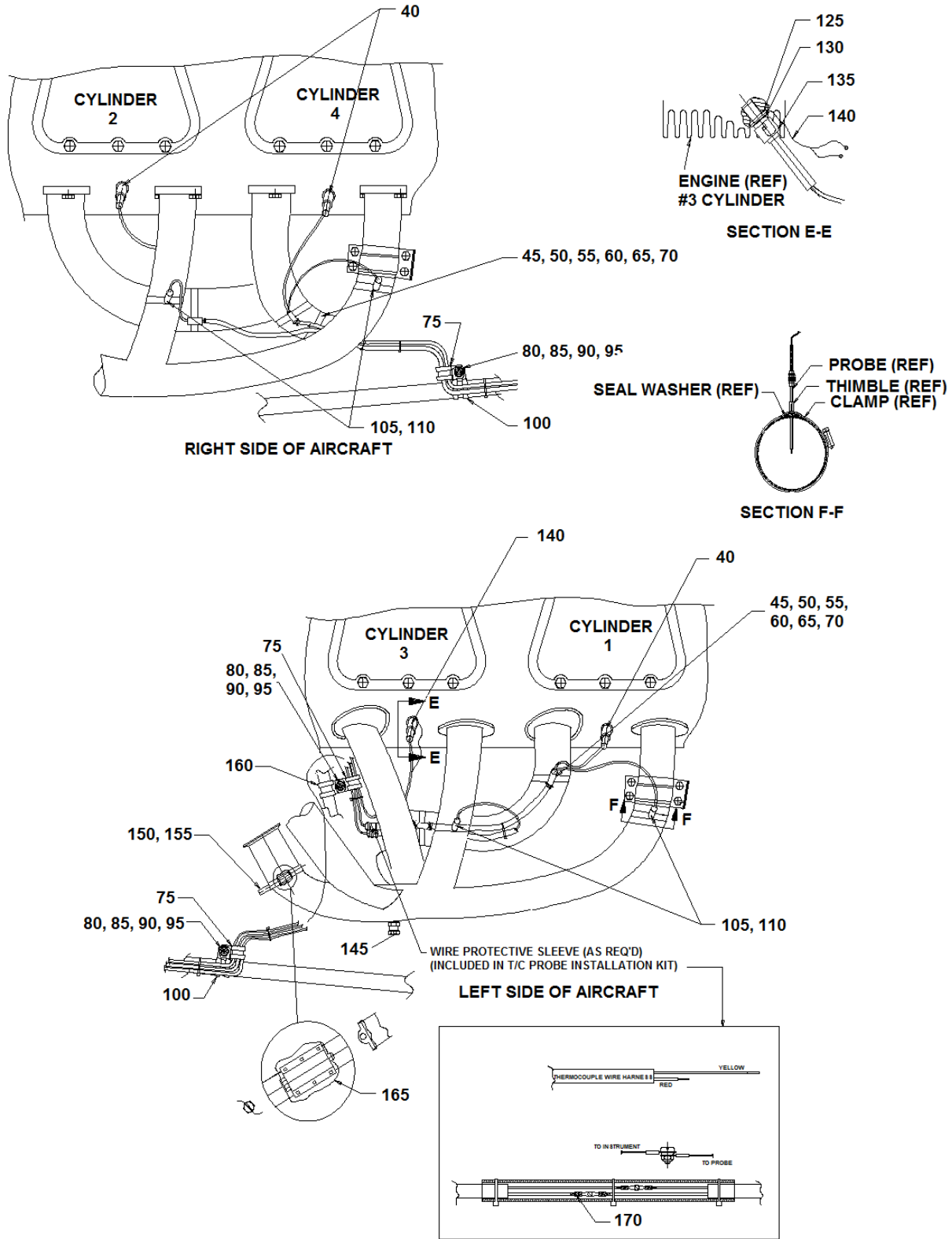


See Figure 11-8 Sheet 1 for F-28F and 280FX Instruments and Instrument Panel.

Sheet 1 of 4

FIGURE 11-19. EDM-700-4C INSTALLATION

ENSTROM F-28/280 SERIES ILLUSTRATED PARTS CATALOG

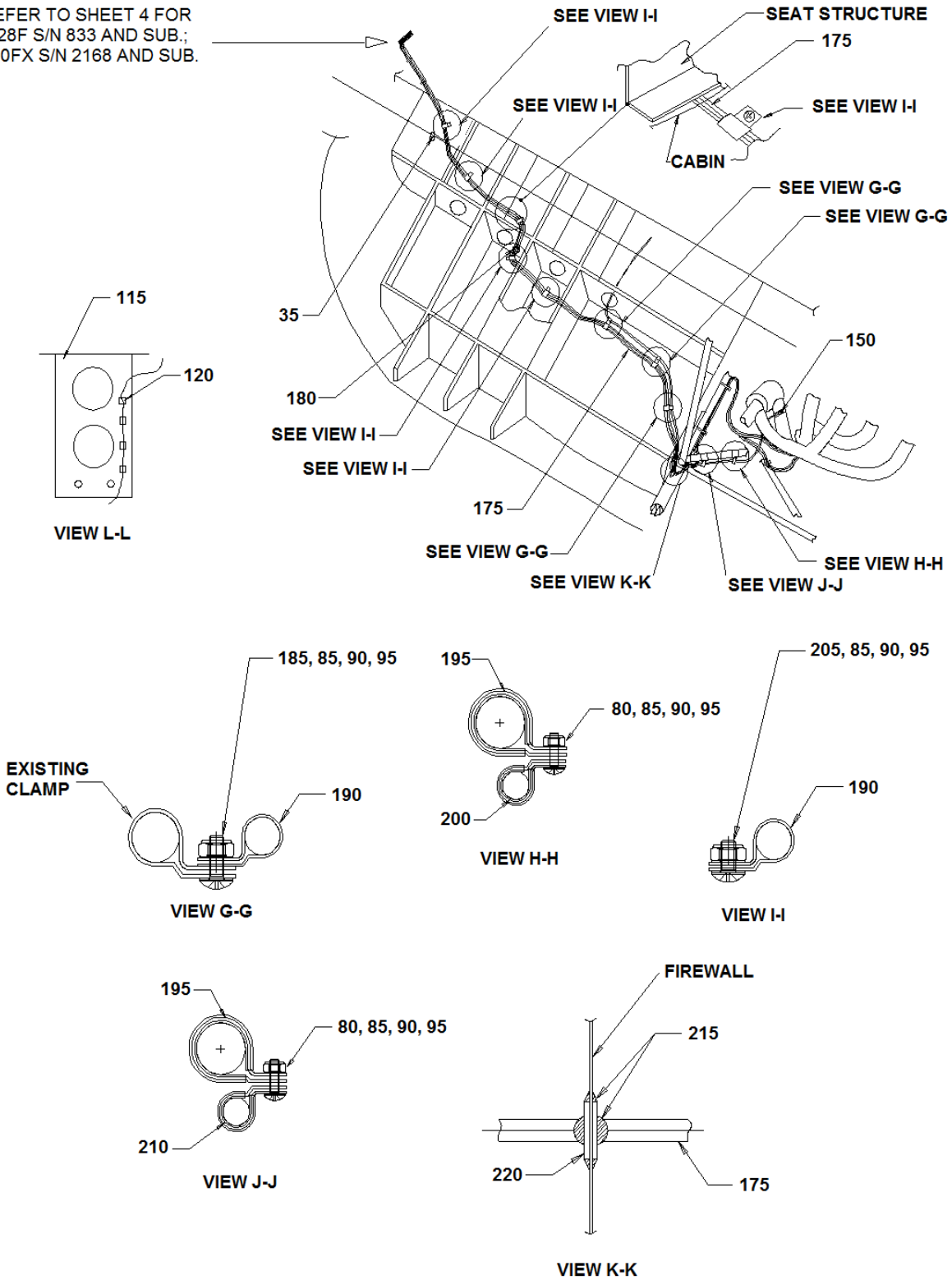


Sheet 2 of 4

FIGURE 11-19. EDM-700-4C INSTALLATION

ENSTROM F-28/280 SERIES ILLUSTRATED PARTS CATALOG

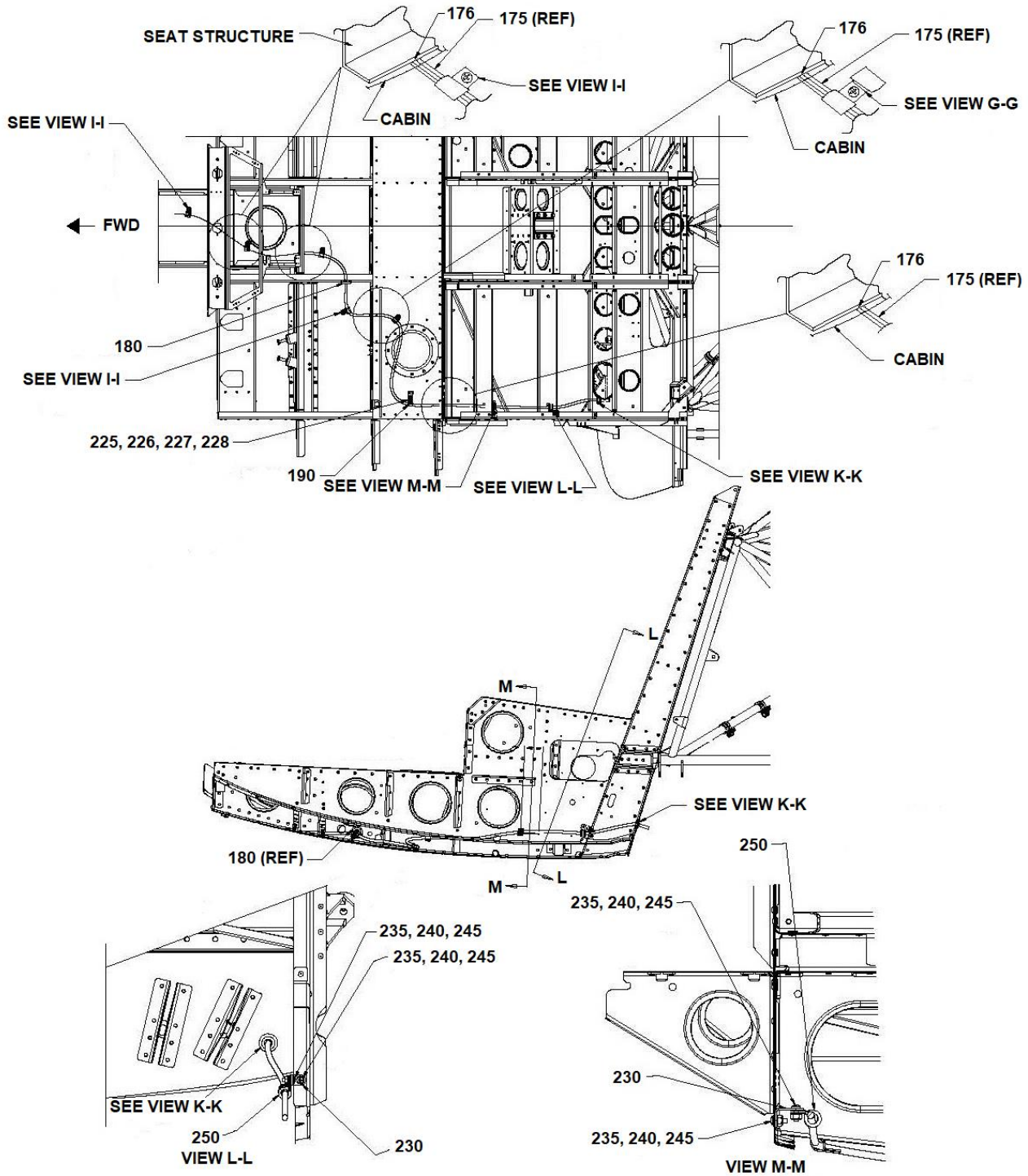
REFER TO SHEET 4 FOR
F-28F S/N 833 AND SUB.;
280FX S/N 2168 AND SUB.



Sheet 3 of 4

FIGURE 11-19. EDM-700-4C INSTALLATION

ENSTROM F-28/280 SERIES ILLUSTRATED PARTS CATALOG



F-28F S/N 833 AND SUBSEQUENT; 280FX S/N 2168 AND SUBSEQUENT

Sheet 4 of 4

FIGURE 11-19. EDM-700-4C INSTALLATION

ENSTROM F-28/280 SERIES ILLUSTRATED PARTS CATALOG

FIGURE 11-19. EDM-700-4C INSTALLATION

| ITEM NUMBER | PART NUMBER | DESCRIPTION | QTY PER ASSY | MODELS AFFECTED | | | | | | |
|-------------|-----------------|---|--------------|-----------------|-----|-------|------|-------|------|-------|
| | | | | F-28A | 280 | F-28C | 280C | F-28F | 280F | 280FX |
| – | 28-22093-3 | EDM-700-4C Installation | REF | | | X | X | X | X | X |
| 5● | EGT-701-4C-A-T | . Indicator w/Software Pt# 302661-REV 3.062 | 1 | | | X | X | X | X | X |
| 10 | 28-22540-19 | . Placard (DATA PORT EDM-700) | 1 | | | X | X | X | X | X |
| 15 | 28-18167-5 | . Accessory Panel Assembly | 1 | | | X | X | X | X | X |
| 20 | 6 X 3/8 | . Screw | 4 | | | X | X | X | X | X |
| 25● | 700200 | . Harness (P1) | 1 | | | X | X | X | X | X |
| 30* | 7101SYZQE | . Switch | 1 | | | X | X | X | X | X |
| 35● | 400510 | . OAT Probe w/Harness | 1 | | | X | X | X | X | X |
| 40● | M-5050T | . CHT Probe | 3 | | | X | X | X | X | X |
| 45 | AN526-632R12 | . Screw | 6 | | | X | X | X | X | X |
| 50 | NAS1149FN616P | . Washer | 6 | | | X | X | X | X | X |
| 55 | MS35338-41 | . Lock Washer | 6 | | | X | X | X | X | X |
| 60 | MS35649-262 | . Nut | 6 | | | X | X | X | X | X |
| 65 | LW-18959-175-34 | . Clamp | 6 | | | X | X | X | X | X |
| 70 | 28-01026-11 | . Sleeve | 6 | | | X | X | X | X | X |
| 75 | S500-4 | . Clamp | 3 | | | X | X | X | X | X |
| – | 608036-1 | . Tape | A/R | | | X | X | X | X | X |
| 80 | MS35206-245 | . Screw | 9 | | | X | X | X | X | X |
| 85 | NAS1149FN816P | . Washer | 23 | | | X | X | X | X | X |
| 90 | MS35338-42 | . Lock Washer | 10 | | | X | X | X | X | X |
| 95 | MS35649-282 | . Nut | 10 | | | X | X | X | X | X |
| 100 | S500-16 | . Clamp | 2 | | | X | X | X | X | X |
| – | 608036-1 | . Tape | A/R | | | X | X | X | X | X |
| 105● | M-111 | . EGT Probe | 4 | | | X | X | X | X | X |
| 110 | 28-22094-13 | . EGT Clamp | 4 | | | X | X | X | X | X |
| 115 | 28-18165-5 | . Seat Chassis Console | 1 | | | X | X | X | X | X |
| 120 | ABM1M-A-C | . Mount | 4 | | | X | X | X | X | X |

ENSTROM F-28/280 SERIES ILLUSTRATED PARTS CATALOG

FIGURE 11-19. EDM-700-4C INSTALLATION

| ITEM NUMBER | PART NUMBER | DESCRIPTION | QTY PER ASSY | MODELS AFFECTED | | | | | | |
|-------------|---------------|--------------------------------|--------------|-----------------|-----|-------|------|-------|------|-------|
| | | | | F-28A | 280 | F-28C | 280C | F-28F | 280F | 280FX |
| 125 | ECD050-23 | . Washer | 1 | | | X | X | X | X | X |
| 125 | 28-22096-11 | . Spacer (Alternate) | 1 | | | X | X | X | X | X |
| 130 | AN4076-1 | . Adapter | 1 | | | X | X | X | X | X |
| 135 | AA86146 | . Temperature Bulb | 1 | | | X | X | X | X | X |
| 135 | AN5546-1 | . Temperature Bulb (Alternate) | 1 | | | X | X | X | X | X |
| 135 | 102-00007 | . Temperature Bulb (Alternate) | 1 | | | X | X | X | X | X |
| 140● | MM-113-3/8 | . CHT Probe | 1 | | | X | X | X | X | X |
| 145 | MS21913J4 | . Plug | 1 | | | X | X | X | X | X |
| 150● | M-111T | . TIT Probe | 1 | | | X | X | X | X | X |
| 155 | 28-22094-11 | . TIT Clamp | 1 | | | X | X | X | X | X |
| 160 | S500-10 | . Clamp | 1 | | | X | X | X | X | X |
| - | 608036-1 | . Tape | A/R | | | X | X | X | X | X |
| 165 | MS20995C25 | . Safety Wire | A/R | | | X | X | X | X | X |
| 170 | FIT-221V-3/32 | . Shrink Tube | A/R | | | X | X | X | X | X |
| 175● | 700702-16 | . Harness (P2) | 1 | | | X | X | X | X | X |
| 176 | GEE62FR-C | . Grommet Edging | A/R | | | X | X | X | X | X |
| -Δ | 748-RTV | . Sealant | A/R | | | X | X | X | X | X |
| 180 | MS35489-14 | . Grommet | 1 | | | X | X | X | X | X |
| 185 | AN525-832R10 | . Screw | 1 | | | X | X | X | X | X |
| 190 | 3/8-6NA | . Clamp | 8 | | | X | X | X | X | X |
| 195 | S500-12 | . Clamp | 2 | | | X | X | X | X | X |
| - | 608036-1 | . Tape | A/R | | | X | X | X | X | X |
| 200 | S500-6 | . Clamp | 1 | | | X | X | X | X | X |
| - | 608036-1 | . Tape | A/R | | | X | X | X | X | X |
| 205 | AN525-832R8 | . Screw | 4 | | | X | X | X | X | X |
| 210 | S500-3 | . Clamp | 1 | | | X | X | X | X | X |
| - | 608036-1 | . Tape | A/R | | | X | X | X | X | X |
| 215 | CP25WB+ | . Fire Barrier Sealant | A/R | | | X | X | X | X | X |
| 220 | MS35489-11 | . Grommet | 1 | | | X | X | X | X | X |

ENSTROM F-28/280 SERIES ILLUSTRATED PARTS CATALOG

FIGURE 11-19. EDM-700-4C INSTALLATION

| ITEM NUMBER | PART NUMBER | DESCRIPTION | QTY PER ASSY | MODELS AFFECTED | | | | | | |
|-------------|---------------|-------------|--------------|-----------------|-----|-------|------|-------|------|-------|
| | | | | F-28A | 280 | F-28C | 280C | F-28F | 280F | 280FX |
| 225 | 1/2-6NA | . Clamp | REF | | | | | X | | X |
| 226 | AN526-832R8 | . Screw | REF | | | | | X | | X |
| 227 | AN960-8L | . Washer | REF | | | | | X | | X |
| 228 | AN364-832A | . Nut | REF | | | | | X | | X |
| 230 | AN743-13 | . Bracket | 2 | | | | | X | | X |
| 235 | MS35206-245 | . Screw | 4 | | | | | X | | X |
| 240 | NAS1149FN816P | . Washer | 8 | | | | | X | | X |
| 245 | MS21083N08 | . Nut | 4 | | | | | X | | X |
| 250 | MS21919WDG6 | . Clamp | 2 | | | | | X | | X |

- Items included in EDM-700-4C Engine Data Management System.
- * This switch position applies, as shown, if equipped with an illuminated panel. See also Figure 11-1F Item 150 location.
- Δ Or equivalent. Contact Enstrom Product Support for alternative products.

ENSTROM F-28/280 SERIES ILLUSTRATED PARTS CATALOG

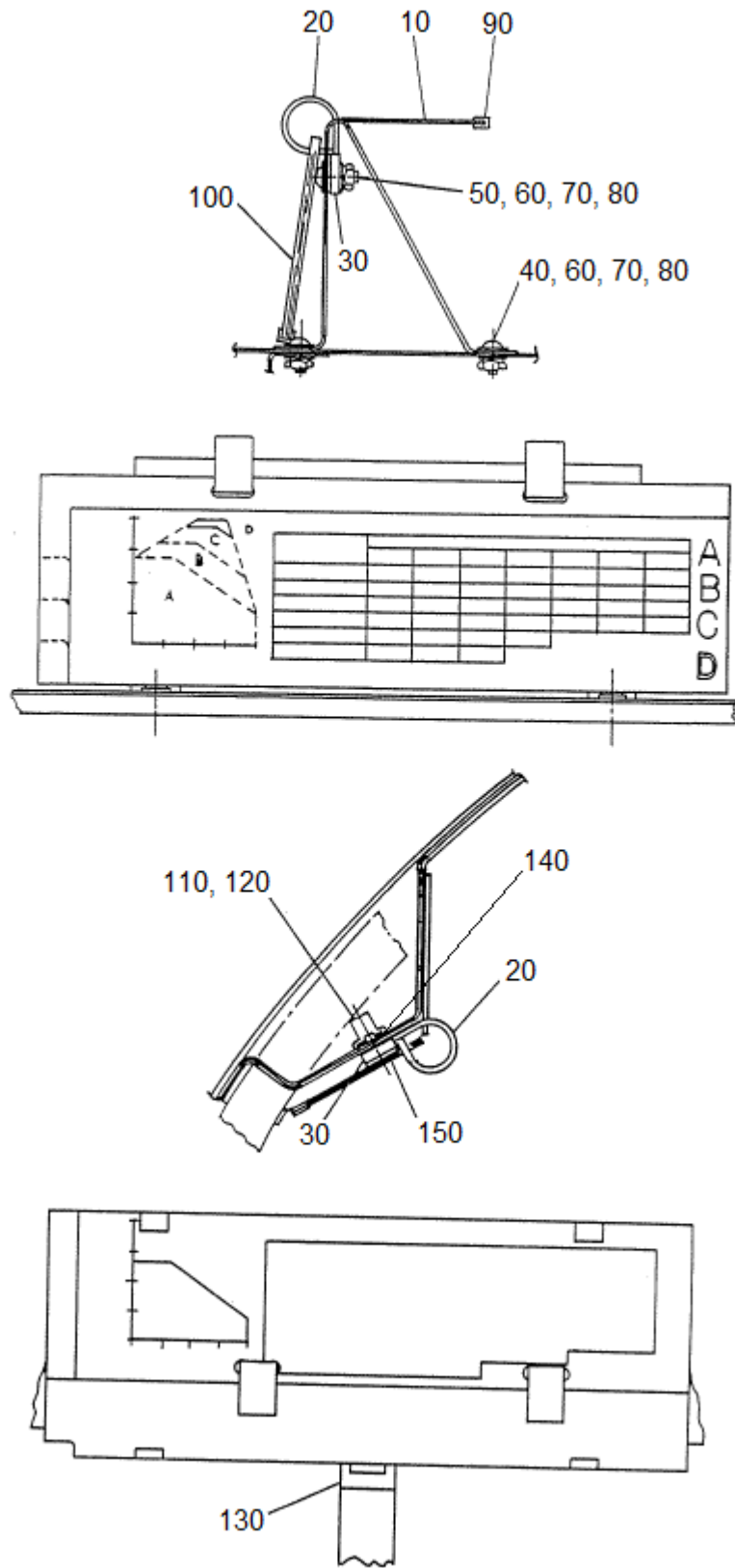


FIGURE 11-20. PLACARD BRACKET INSTALLATION

UNCONTROLLED COPY WHEN DOWNLOADED OR PRINTED

ENSTROM F-28/280 SERIES ILLUSTRATED PARTS CATALOG

FIGURE 11-20. PLACARD BRACKET INSTALLATION

| ITEM NUMBER | PART NUMBER | DESCRIPTION | QTY PER ASSY | MODELS AFFECTED | | | | | | |
|-------------|---------------|--|--------------|-----------------|-----|-------|------|-------|------|-------|
| | | | | F-28A | 280 | F-28C | 280C | F-28F | 280F | 280FX |
| - | 28-180051-1 | Placard Bracket Installation (Inactive) | REF | | | | | | X | |
| - | 28-180051-3 | Placard Bracket Installation (Inactive) | REF | | | | | X | | |
| - | 28-180051-5 | Placard Bracket Installation (Floats) (Inactive) | REF | | | | | X | X | |
| - | 28-180051-7 | Placard Installation (MPH) | REF | | | | | | | X |
| - | 28-180051-9 | Placard Installation (MPH with Floats) | REF | | | | | X | | X |
| - | 28-180051-101 | Placard Installation (Knots) | REF | | | | | | | X |
| - | 28-180051-103 | Placard Installation (Knots with Floats) | REF | | | | | X | | X |
| - | 28-180051-105 | Placard Installation (MPH) | REF | | | | | X | | |
| - | 28-180051-107 | Placard Installation (Knots) | REF | | | | | X | | |
| 10 | 28-180049-11 | . Bracket | 1 | | | | | X | X | |
| 20 | F6YN-625BK | . Clamp | 2 | | | | | X | X | |
| 20 | 5/8-6B | . Clamp (Replaced by F6YN-625BK) | 2 | | | | | X | X | |
| 30 | D6SE-167GY | . Washer | 2 | | | | | X | X | |
| 30 | D6-167 | . Washer (Replaced by D6SE-167GY) | 2 | | | | | X | X | |
| 40 | MS35206-228 | . Screw | 4 | | | | | X | X | |
| 40 | AN526-632R6 | . Screw (Superseded by MS35206-228) | 4 | | | | | X | X | |
| 50 | MS35206-229 | . Screw | 2 | | | | | X | X | |
| 50 | AN526-632R7 | . Screw (Superseded by MS35206-229) | 2 | | | | | X | X | |
| 60 | AN960PD6L | . Washer | 4 | | | | | X | X | |
| 70 | MS35338-41 | . Lock Washer | 6 | | | | | X | X | |
| 70 | AN935-6 | . Lock Washer (Alternate) | 6 | | | | | X | X | |
| 80 | AN340-6 | . Nut | 6 | | | | | X | X | |
| 90 | 980-001 | . Channel (X-142) | A/R | | | | | X | X | |
| 90 | AX142P | . Channel (Alternate to X-142) | A/R | | | | | X | X | |

UNCONTROLLED COPY WHEN DOWNLOADED OR PRINTED

ENSTROM F-28/280 SERIES ILLUSTRATED PARTS CATALOG

FIGURE 11-20. PLACARD BRACKET INSTALLATION

| ITEM NUMBER | PART NUMBER | DESCRIPTION | QTY PER ASSY | MODELS AFFECTED | | | | | | |
|-------------|---------------|---------------------------------------|--------------|-----------------|-----|-------|------|-------|------|-------|
| | | | | F-28A | 280 | F-28C | 280C | F-28F | 280F | 280FX |
| 100 | 28-180050-1 | . Plate Assembly | 1 | | | | | | X | |
| -100A | 28-180050-3 | . Plate Assembly | 1 | | | | | | X | |
| -100B | 28-180050-5 | . Plate Assembly | 1 | | | | | | X | |
| -100C | 28-180050-7 | . Plate Assembly | 1 | | | | | X | X | |
| -100D | 28-180050-9 | . Plate Assembly | 1 | | | | | X | | |
| -100E* | 28-180050-11 | . Plate Placard | 1 | | | | | X | | |
| -100F* | 28-180050-13 | . Plate Placard | 1 | | | | | X | | |
| -100G* | 28-180050-15 | . Plate Placard | 1 | | | | | X | | |
| -100H* | 28-180050-17 | . Plate Placard | 1 | | | | | X | | |
| -100E | 28-180050-101 | . Plate Assembly | 1 | | | | | X | | |
| -100F | 28-180050-103 | . Plate Assembly | 1 | | | | | X | | |
| -100G | 28-180050-105 | . Plate Assembly (Floats) | 1 | | | | | X | X | |
| -100H | 28-180050-107 | . Plate Assembly (Floats) | 1 | | | | | X | X | |
| -100I | 28-180050-109 | . Plate Assembly (Floats) | 1 | | | | | X | X | |
| -100J♦ | 28-180050-111 | . Plate Assembly | 1 | | | | | X | X | |
| 110 | S8P-150 | . Plus Nut | 2 | | | | | X | | X |
| 120 | MS24693-S51 | . Screw | 2 | | | | | X | | X |
| 120 | AN507-832R10 | . Screw (Superseded by MS24693-S51) | 2 | | | | | X | | X |
| 130 | SJ-3501 | . Loop (Velcro) | A/R | | | | | X | | X |
| 140 | NAS1149D0463J | . Washer | 2 | | | | | X | | X |
| 140 | AN960PD416 | . Washer (Alternate) | 2 | | | | | X | | X |
| 150 | 28-180067-1 | . Plate Assembly (Standard MPH/F°) | 1 | | | | | | | X |
| -150A | 28-180067-3 | . Plate Assembly (Standard MPH/F°) | 1 | | | | | | | X |
| -150B | 28-180067-5 | . Plate Assembly (Standard MPH/F°) | 1 | | | | | | | X |
| -150C | 28-180067-7 | . Plate Assembly (Standard MPH/F°) | 1 | | | | | X | | X |
| -150D | 28-180067-9 | . Plate Assembly (MPH with Floats F°) | 1 | | | | | X | | X |

UNCONTROLLED COPY WHEN DOWNLOADED OR PRINTED

ENSTROM F-28/280 SERIES ILLUSTRATED PARTS CATALOG

FIGURE 11-20. PLACARD BRACKET INSTALLATION

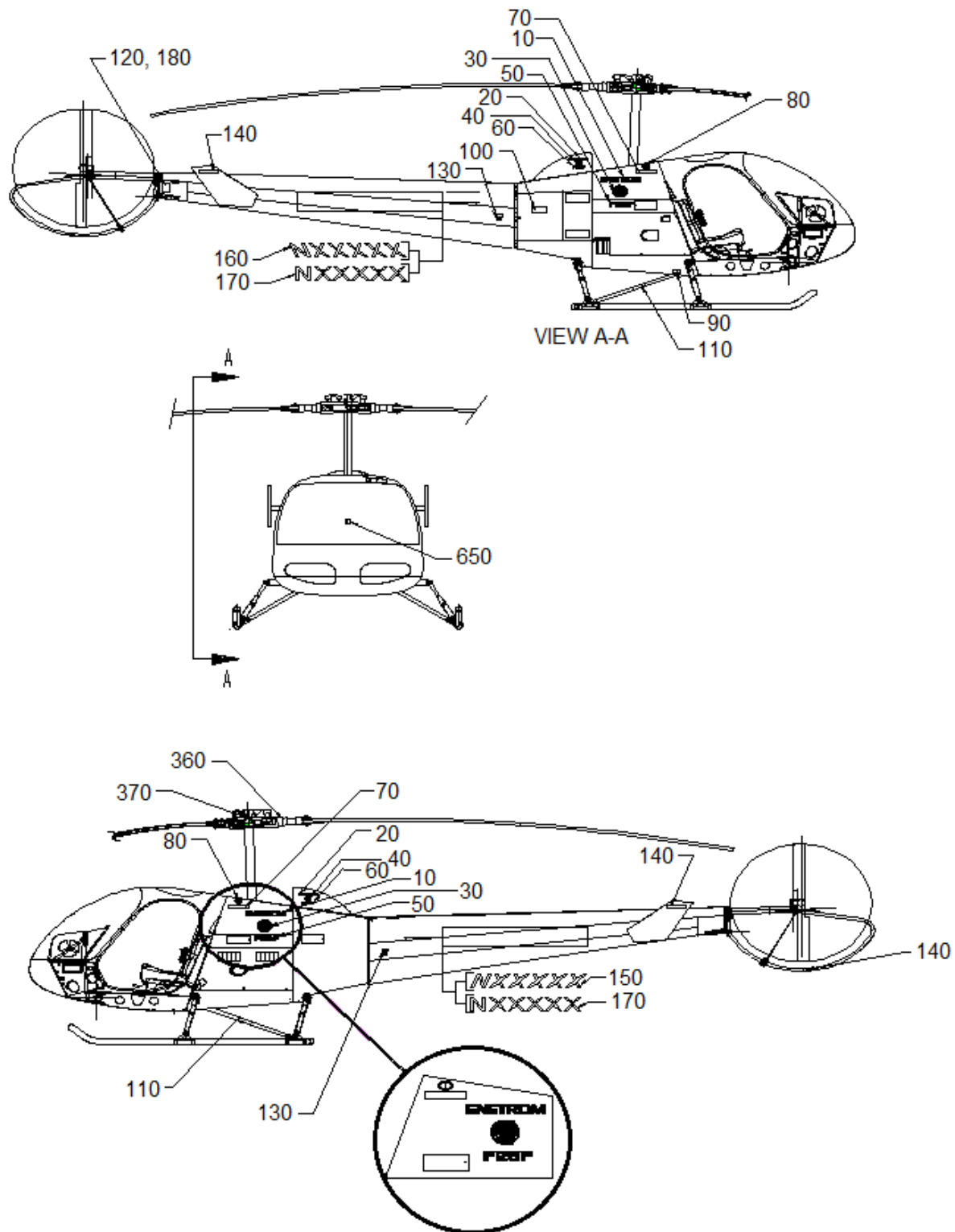
| ITEM NUMBER | PART NUMBER | DESCRIPTION | QTY PER ASSY | MODELS AFFECTED | | | | | | |
|-------------|---------------|---|--------------|-----------------|-----|-------|------|-------|------|-------|
| | | | | F-28A | 280 | F-28C | 280C | F-28F | 280F | 280FX |
| -150E | 28-180067-101 | . Plate Assembly (MPH with Floats F°) | 1 | | | | | X | | X |
| -150F | 28-180067-103 | . Plate Assembly (MPH with Floats F°) | 1 | | | | | X | | X |
| -150G | 28-180067-105 | . Plate Assembly (Knots/C°) | 1 | | | | | | | X |
| -150H | 28-180067-107 | . Plate Assembly (Knots/C°) | 1 | | | | | | | X |
| -150I | 28-180067-109 | . Plate Assembly (Knots/C°) | 1 | | | | | | | X |
| -150J | 28-180067-201 | . Plate Assembly (Knots/C°) | 1 | | | | | X | | X |
| -150K | 28-180067-203 | . Plate Assembly (Knots/C° with Floats) | 1 | | | | | X | | X |
| -150L | 28-180067-205 | . Plate Assembly (Knots/C° with Floats) | 1 | | | | | X | | X |
| -150M | 28-180067-207 | . Plate Assembly (Knots/C° with Floats) | 1 | | | | | X | | X |
| -150N | 28-180067-209 | . Plate Assembly (Standard F°/MPH) | 1 | | | | | X | | |
| -150O | 28-180067-211 | . Plate Assembly (Standard F°/MPH) | 1 | | | | | X | | |
| -150P | 28-180067-213 | . Plate Assembly (Standard F°/MPH) | 1 | | | | | X | | |
| -150Q | 28-180067-215 | . Plate Assembly (Knots/C°) | 1 | | | | | X | | |
| -150R | 28-180067-217 | . Plate Assembly (Knots/C°) | 1 | | | | | X | | |
| -150S | 28-180067-219 | . Plate Assembly (Knots/C°) | 1 | | | | | X | | |

* Used on foreign configured aircraft.

◆ Used on agricultural spray configured models only.

UNCONTROLLED COPY WHEN DOWNLOADED OR PRINTED

ENSTROM F-28/280 SERIES ILLUSTRATED PARTS CATALOG



Sheet 1 of 13

FIGURE 11-21. PLACARD INSTALLATION

UNCONTROLLED COPY WHEN DOWNLOADED OR PRINTED

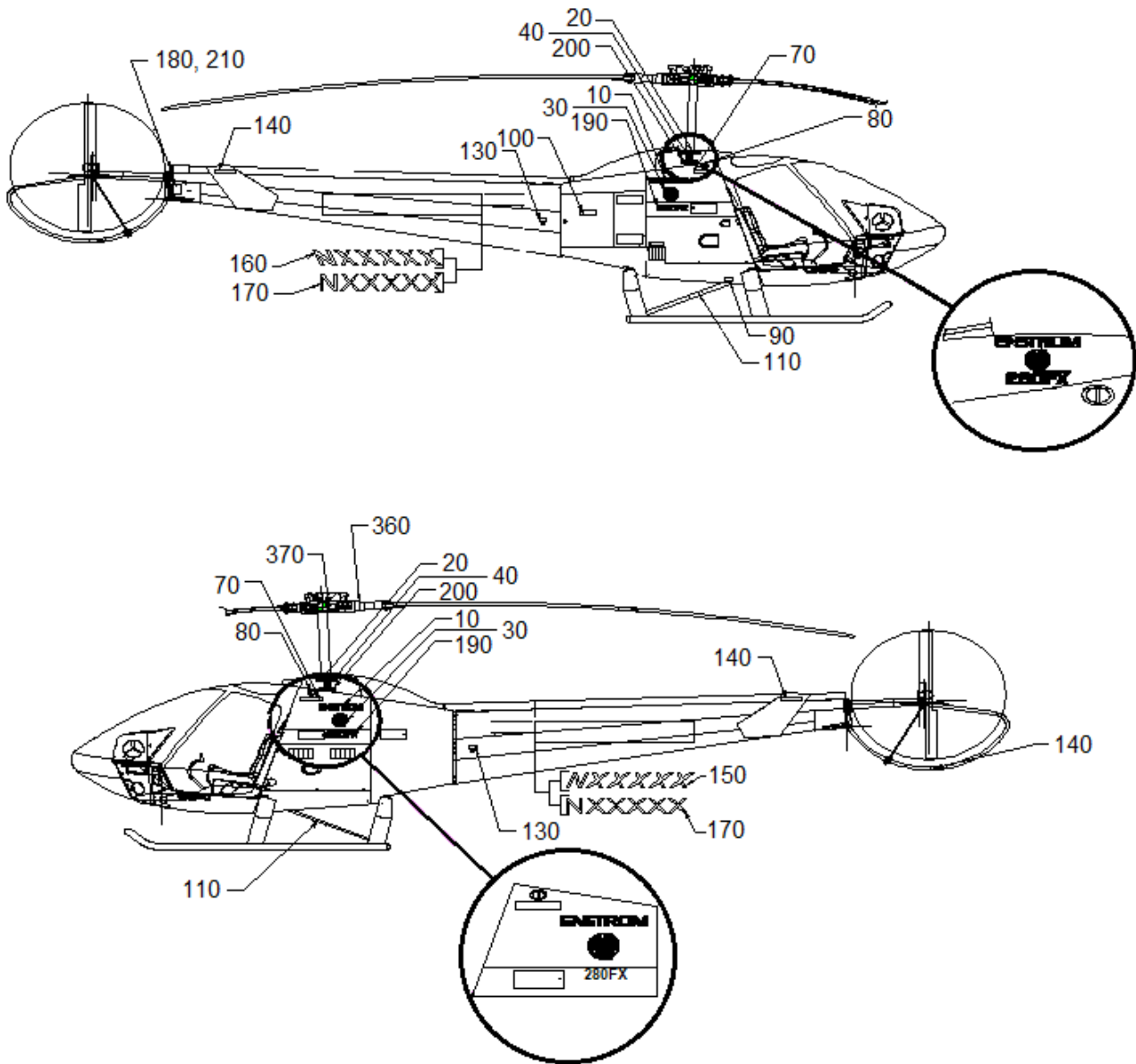
Rev. 10

11-94

Nov 8/23

Visit www.enstromhelicopter.com for instructions to order an original manual and to register for email notification of updates.

ENSTROM F-28/280 SERIES ILLUSTRATED PARTS CATALOG



Sheet 2 of 13

FIGURE 11-21. PLACARD INSTALLATION

UNCONTROLLED COPY WHEN DOWNLOADED OR PRINTED

Rev. 10

11-95

Nov 8/23

Visit www.enstromhelicopter.com for instructions to order an original manual and to register for email notification of updates.

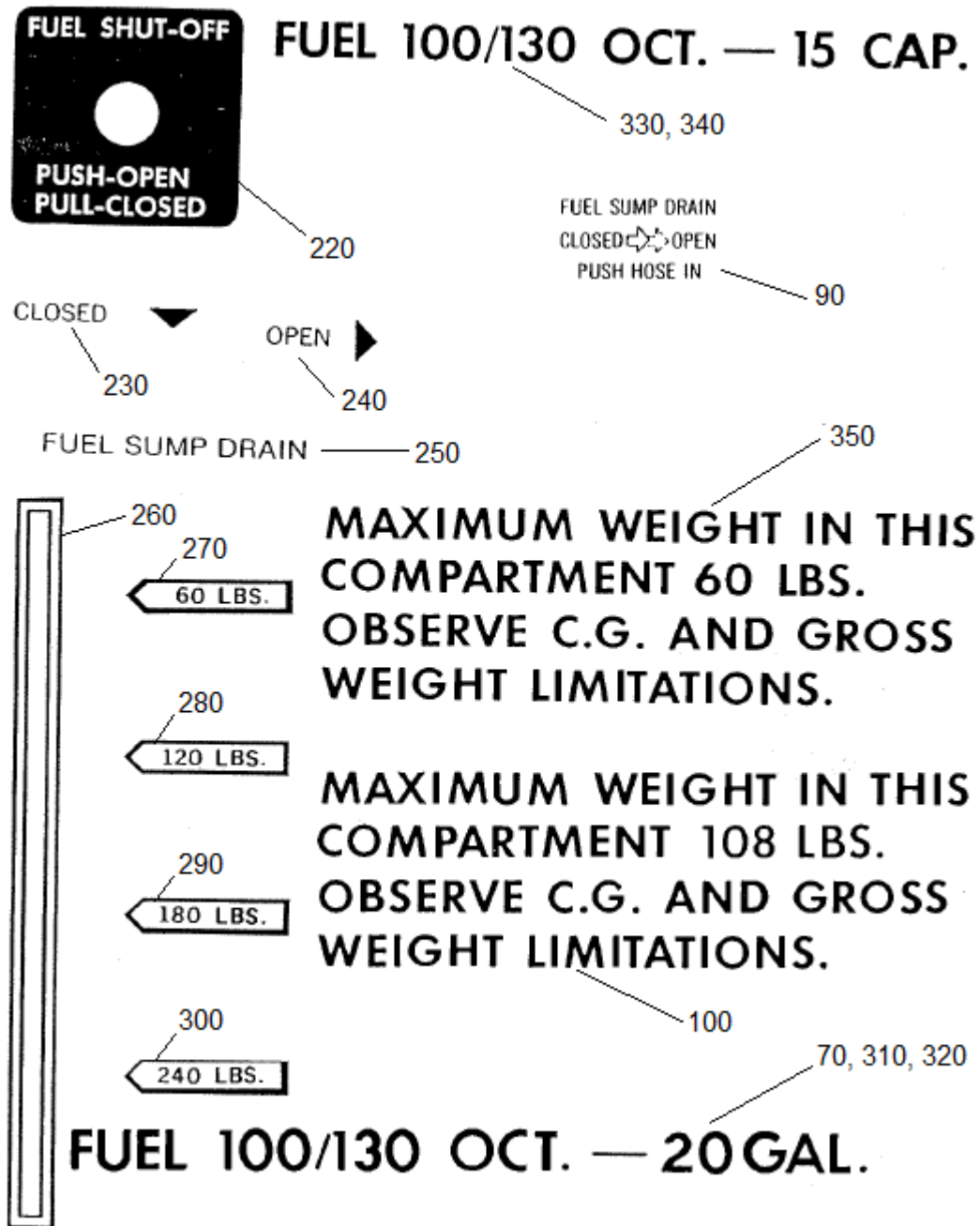


FIGURE 11-21. PLACARD INSTALLATION

ENSTROM F-28/280 SERIES ILLUSTRATED PARTS CATALOG

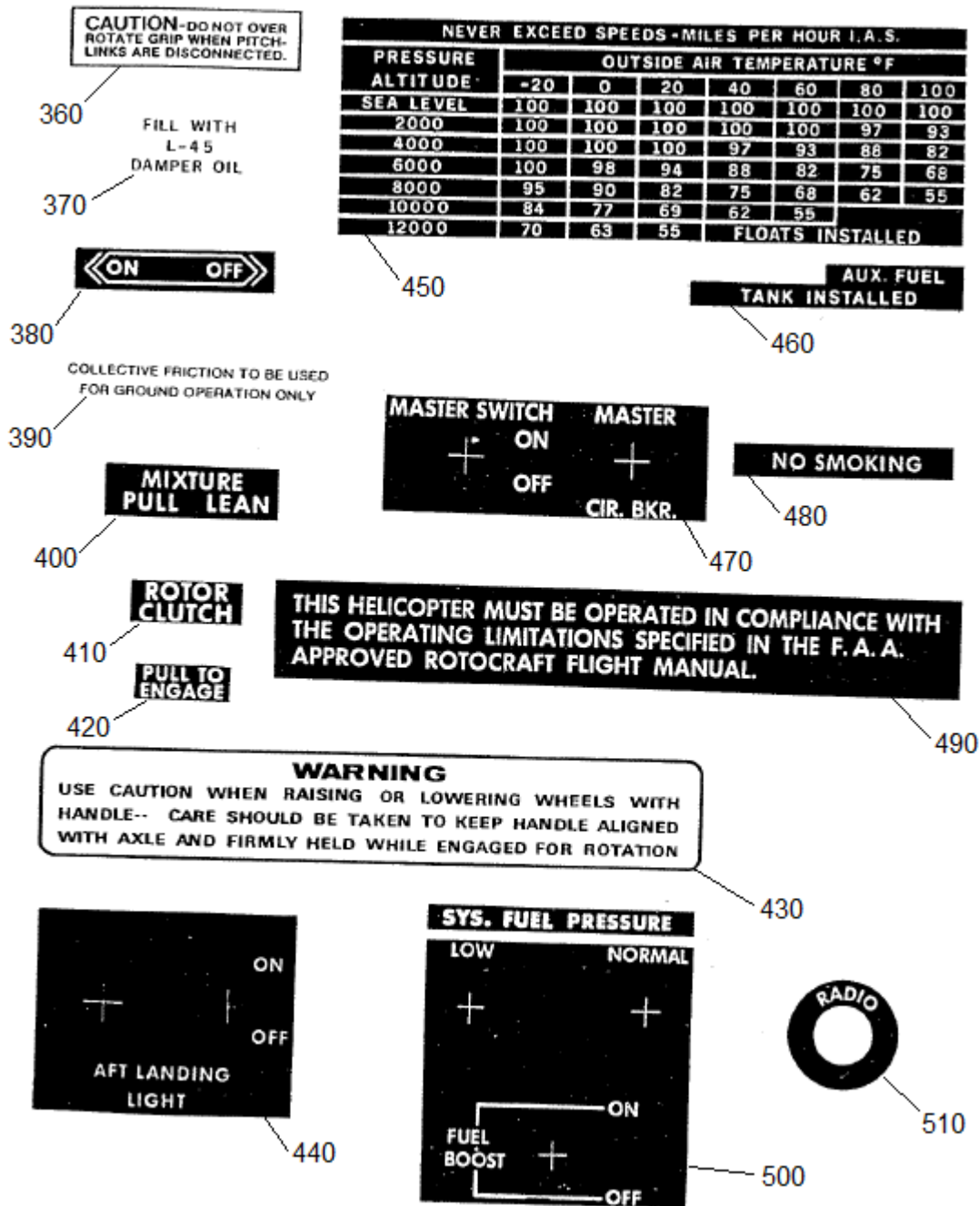


FIGURE 11-21. PLACARD INSTALLATION

ENSTROM F-28/280 SERIES ILLUSTRATED PARTS CATALOG

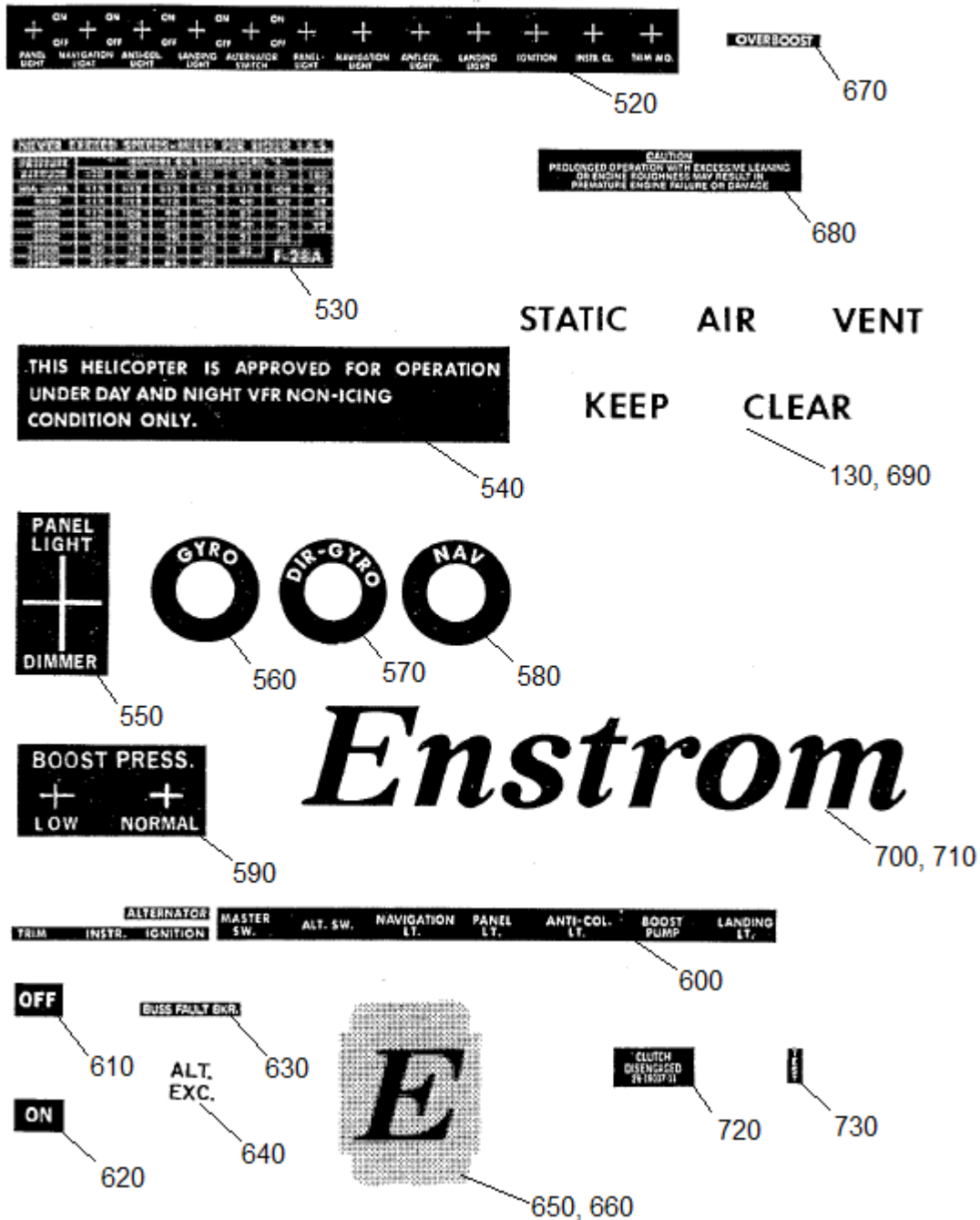


FIGURE 11-21. PLACARD INSTALLATION

ENSTROM F-28/280 SERIES ILLUSTRATED PARTS CATALOG

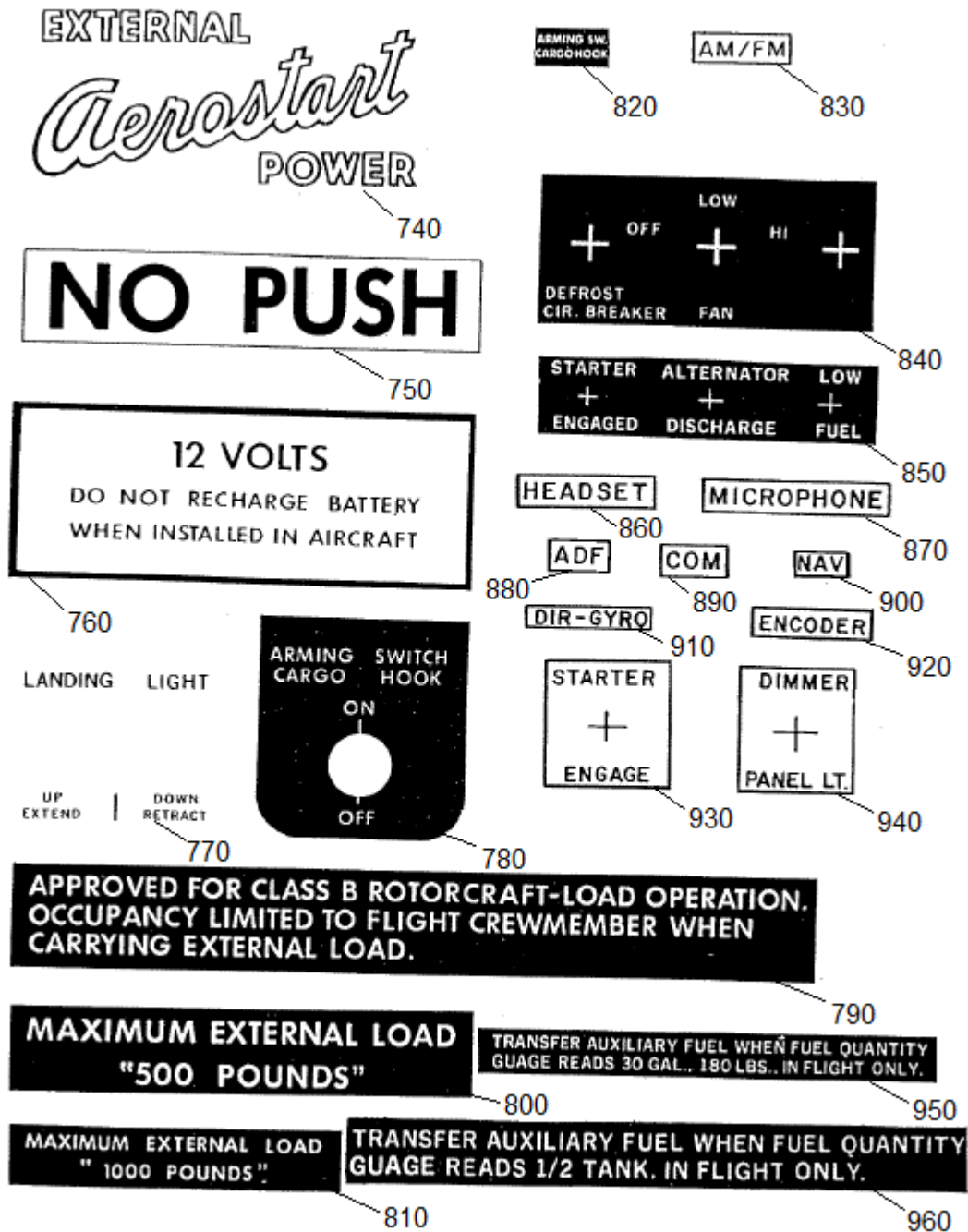
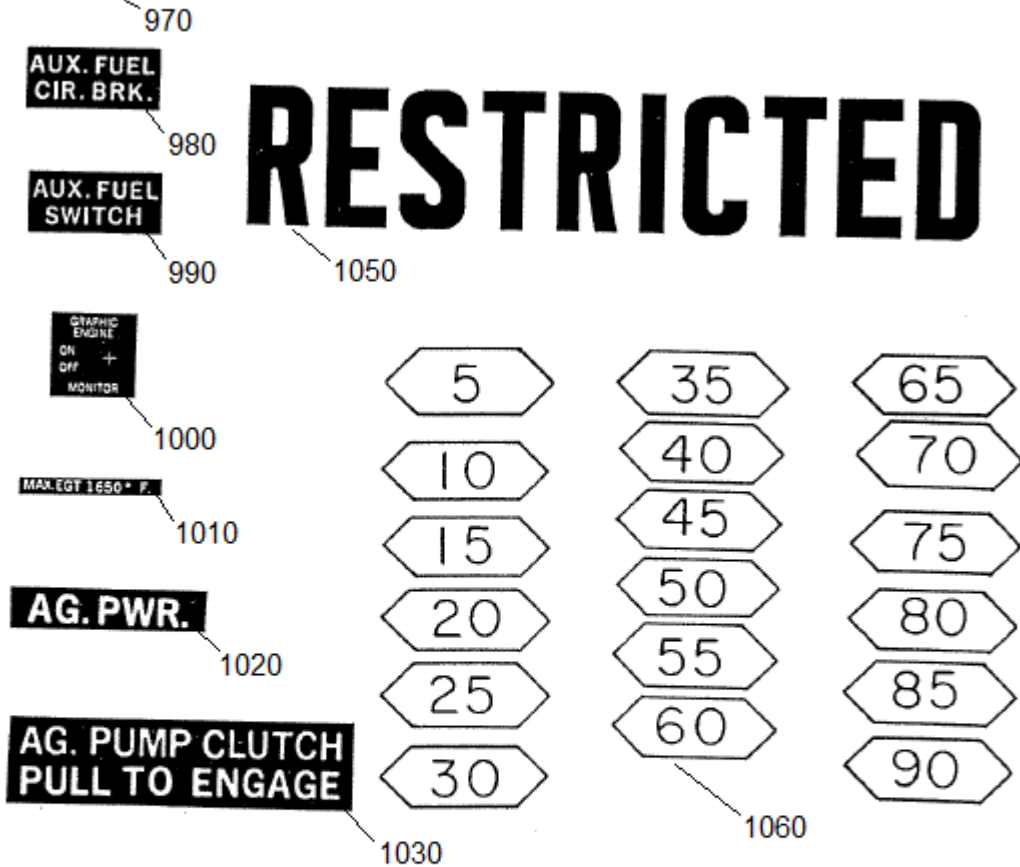


FIGURE 11-21. PLACARD INSTALLATION

UNCONTROLLED COPY WHEN DOWNLOADED OR PRINTED

FUEL 100/130 OCT. — 22 GAL.



| RESTRICTED CATEGORY - NEVER EXCEED SPEEDS MPH IAS | | | | | | | |
|---|----------------------------|----|----|----|----|----|-----|
| PRESSURE ALTITUDE | OUTSIDE AIR TEMPERATURE °F | | | | | | |
| | -20 | 0 | 20 | 40 | 60 | 80 | 100 |
| SEA LEVEL | 85 | 85 | 85 | 85 | 85 | 85 | 85 |
| 1000 | 85 | 85 | 85 | 85 | 85 | 83 | 82 |
| 2000 | 85 | 85 | 85 | 84 | 83 | 82 | 81 |
| 3000 | 85 | 85 | 84 | 83 | 82 | 81 | 80 |
| 4000 | 85 | 84 | 83 | 82 | 81 | 80 | |
| 5000 | 84 | 83 | 82 | 81 | 80 | | |
| 6000 | 83 | 82 | 81 | 80 | | | |

AG OPERATION

FIGURE 11-21. PLACARD INSTALLATION

ENSTROM F-28/280 SERIES ILLUSTRATED PARTS CATALOG

| RESTRICTED PRESSURE ALTITUDE | CATEGORY - NEVER EXCEED SPEEDS M.P.H. I.A.S. | | | | | | |
|------------------------------------|--|----|----|----|----|----|-----|
| | OUTSIDE AIR TEMPERATURE °F | | | | | | |
| | -20 | 0 | 20 | 40 | 60 | 80 | 100 |
| SEA LEVEL | 85 | 85 | 85 | 85 | 85 | 85 | 85 |
| 1000 | 85 | 85 | 85 | 85 | 85 | 83 | 82 |
| 2000 | 85 | 85 | 85 | 84 | 83 | 82 | 81 |
| 3000 | 85 | 85 | 84 | 83 | 82 | 81 | 80 |
| 4000 | 85 | 84 | 83 | 82 | 81 | 80 | 69 |
| 5000 | 84 | 83 | 82 | 81 | 80 | 68 | 57 |
| 6000 | 83 | 82 | 81 | 80 | 68 | 60 | |
| 7000 | 82 | 81 | 79 | 68 | 60 | | |
| 8000 | 81 | 80 | 69 | 61 | | | |
| 9000 | 80 | 72 | 59 | | | | |

28-22615
"F" MODELS

1070

1080



Sheet 8 of 13

FIGURE 11-21. PLACARD INSTALLATION

UNCONTROLLED COPY WHEN DOWNLOADED OR PRINTED

ENSTROM F-28/280 SERIES ILLUSTRATED PARTS CATALOG

THIS HELICOPTER MUST BE OPERATED IN COMPLIANCE WITH THE OPERATING LIMITATIONS SPECIFIED IN THE F.A.A. APPROVED ROTORCRAFT FLIGHT MANUAL.

| PRESSURE ALTITUDE | NEVER EXCEED SPEEDS - MILES PER HOUR I.A.S. | | | | | | |
|-------------------|---|-----|-----|-----|-----|-----|-----|
| | OUTSIDE AIR TEMPERATURE °F | | | | | | |
| SEA LEVEL | 112 | 112 | 112 | 112 | 112 | 112 | 112 |
| 2000 | 112 | 112 | 112 | 109 | 98 | 92 | 87 |
| 4000 | 112 | 106 | 99 | 92 | 82 | 75 | 72 |
| 6000 | 108 | 94 | 88 | 84 | 75 | 75 | 72 |
| 8000 | 98 | 84 | 78 | 75 | 71 | 71 | 68 |
| 10000 | 91 | 78 | 71 | 68 | 65 | 65 | 62 |
| 12000 | 77 | 65 | 59 | 57 | 54 | 54 | 52 |

THIS HELICOPTER IS APPROVED FOR OPERATION UNDER DAY AND NIGHT VFR NON-ICING CONDITION ONLY.

1090

THIS HELICOPTER MUST BE OPERATED IN COMPLIANCE WITH THE OPERATING LIMITATIONS SPECIFIED IN THE F.A.A. APPROVED ROTORCRAFT FLIGHT MANUAL.

| PRESSURE ALTITUDE | NEVER EXCEED SPEEDS - MILES PER HOUR I.A.S. | | | | | | |
|-------------------|---|-----|-----|-----|-----|-----|-----|
| | OUTSIDE AIR TEMPERATURE °F | | | | | | |
| SEA LEVEL | 112 | 107 | 107 | 107 | 107 | 107 | 107 |
| 2000 | 112 | 107 | 107 | 107 | 101 | 93 | 89 |
| 4000 | 112 | 101 | 101 | 97 | 87 | 80 | 77 |
| 6000 | 108 | 95 | 93 | 89 | 80 | 73 | 70 |
| 8000 | 98 | 85 | 84 | 80 | 72 | 70 | 67 |
| 10000 | 91 | 78 | 77 | 73 | 65 | 63 | 60 |
| 12000 | 78 | 65 | 64 | 60 | 52 | 50 | 47 |

THIS HELICOPTER IS APPROVED FOR OPERATION UNDER DAY AND NIGHT VFR NON-ICING CONDITION ONLY.

1100

THIS HELICOPTER MUST BE OPERATED IN COMPLIANCE WITH THE OPERATING LIMITATIONS SPECIFIED IN THE F.A.A. APPROVED ROTORCRAFT FLIGHT MANUAL.

| PRESSURE ALTITUDE | NEVER EXCEED SPEEDS - MILES PER HOUR I.A.S. | | | | | | |
|-------------------|---|-----|-----|-----|-----|-----|-----|
| | OUTSIDE AIR TEMPERATURE °F | | | | | | |
| SEA LEVEL | 112 | 107 | 107 | 107 | 107 | 107 | 107 |
| 2000 | 112 | 107 | 107 | 107 | 101 | 93 | 89 |
| 4000 | 112 | 101 | 101 | 97 | 87 | 80 | 77 |
| 6000 | 108 | 95 | 93 | 89 | 80 | 73 | 70 |
| 8000 | 98 | 85 | 84 | 80 | 72 | 70 | 67 |
| 10000 | 91 | 78 | 77 | 73 | 65 | 63 | 60 |
| 12000 | 78 | 65 | 64 | 60 | 52 | 50 | 47 |

THIS HELICOPTER IS APPROVED FOR OPERATION UNDER DAY AND NIGHT VFR NON-ICING CONDITION ONLY.

1110

FIGURE 11-21. PLACARD INSTALLATION

ENSTROM F-28/280 SERIES ILLUSTRATED PARTS CATALOG

| NEVER EXCEED SPEEDS - KNOTS I.A.S. | | | | | | | |
|------------------------------------|----------------------------|----|----|----|----|----|------|
| PRESSURE ALTITUDE | OUTSIDE AIR TEMPERATURE °F | | | | | | |
| | -20 | 0 | 20 | 40 | 60 | 80 | 100 |
| SEA LEVEL | 97 | 97 | 97 | 97 | 97 | 90 | 85 |
| 2000 | 97 | 97 | 97 | 90 | 86 | 80 | 75 |
| 4000 | 97 | 92 | 86 | 80 | 76 | 72 | 69 |
| 6000 | 87 | 82 | 76 | 72 | 68 | 65 | 62 |
| 8000 | 77 | 73 | 68 | 65 | 62 | 60 | 56 |
| 10000 | 70 | 66 | 62 | 60 | 56 | 54 | |
| 12000 | 63 | 60 | 57 | 55 | 50 | | F28C |

1120

| NEVER EXCEED SPEEDS - KNOTS I.A.S. | | | | | | | |
|------------------------------------|----------------------------|-----|-----|-----|-----|----|------|
| PRESSURE ALTITUDE | OUTSIDE AIR TEMPERATURE °F | | | | | | |
| | -20 | 0 | 20 | 40 | 60 | 80 | 100 |
| SEA LEVEL | 102 | 102 | 102 | 102 | 102 | 95 | 89 |
| 2000 | 102 | 102 | 102 | 95 | 89 | 84 | 80 |
| 4000 | 102 | 96 | 90 | 84 | 81 | 76 | 74 |
| 6000 | 91 | 87 | 81 | 76 | 73 | 70 | 67 |
| 8000 | 82 | 77 | 73 | 70 | 67 | 64 | 61 |
| 10000 | 75 | 70 | 67 | 64 | 61 | 58 | |
| 12000 | 68 | 64 | 62 | 59 | 55 | | 280C |

1130

| NEVER EXCEED SPEEDS - MILES PER HOUR I.A.S. | | | | | | | |
|---|----------------------------|-----|-----|-----|-----|-----|-------------------|
| PRESSURE ALTITUDE | OUTSIDE AIR TEMPERATURE °F | | | | | | |
| | -20 | 0 | 20 | 40 | 60 | 80 | 100 |
| SEA LEVEL | 117 | 117 | 117 | 117 | 117 | 117 | 117 |
| 2000 | 117 | 117 | 117 | 117 | 117 | 114 | 109 |
| 4000 | 117 | 117 | 117 | 115 | 110 | 105 | 96 |
| 6000 | 117 | 116 | 111 | 105 | 96 | 87 | 78 |
| 8000 | 112 | 107 | 96 | 87 | 78 | 69 | 60 |
| 10000 | 99 | 88 | 78 | 69 | 59 | | 28-180023-11 |
| 12000 | 81 | 70 | 60 | | | | TO 2350 LBS. G.W. |

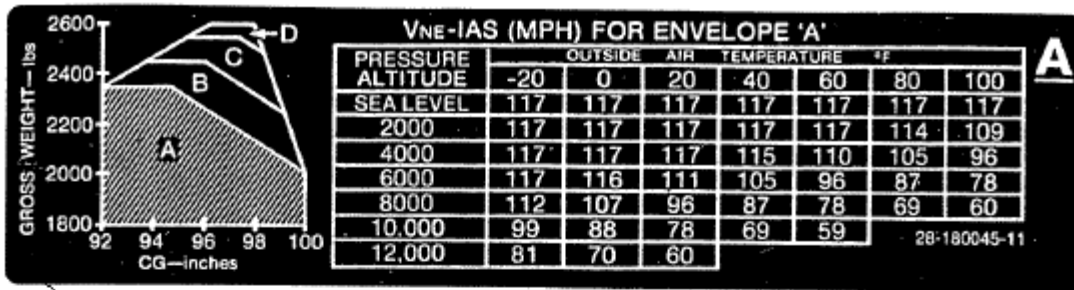
1140

| NEVER EXCEED SPEEDS - MILES PER HOUR I.A.S. | | | | | | | |
|---|----------------------------|-----|-----|-----|-----|-----|---------------|
| PRESSURE ALTITUDE | OUTSIDE AIR TEMPERATURE °F | | | | | | |
| | -20 | 0 | 20 | 40 | 60 | 80 | 100 |
| SEA LEVEL | 112 | 112 | 112 | 112 | 112 | 112 | 112 |
| 2000 | 112 | 112 | 112 | 112 | 112 | 109 | 104 |
| 4000 | 112 | 112 | 112 | 110 | 105 | 100 | 91 |
| 6000 | 112 | 111 | 106 | 101 | 91 | 82 | 73 |
| 8000 | 107 | 102 | 91 | 82 | 73 | 64 | 55 |
| 10000 | 94 | 83 | 73 | 64 | 54 | | |
| 12000 | 76 | 65 | 55 | | | | F28C-2350G.W. |

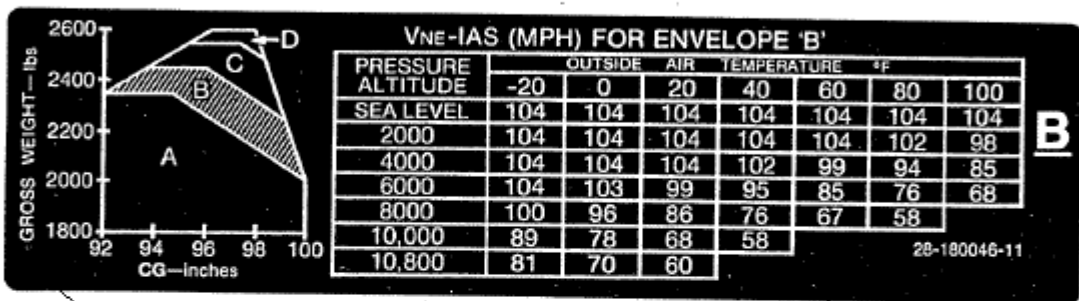
1150

FIGURE 11-21. PLACARD INSTALLATION

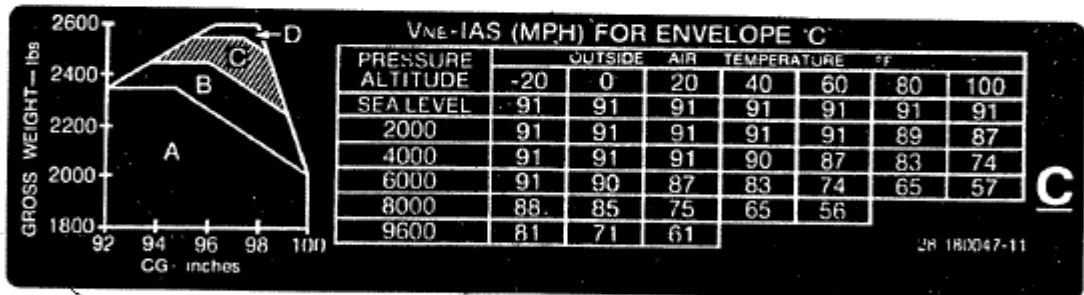
ENSTROM F-28/280 SERIES ILLUSTRATED PARTS CATALOG



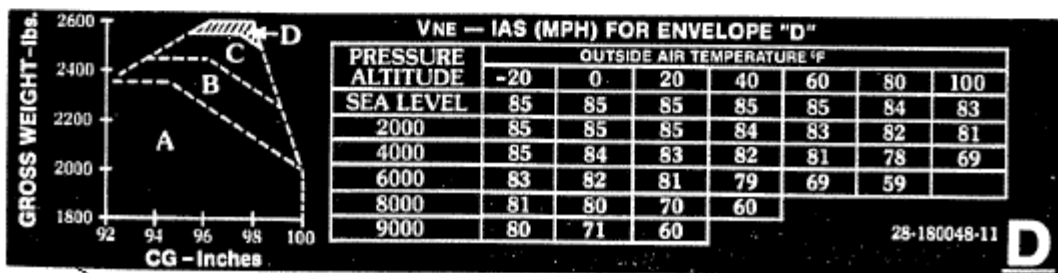
1160



1170



1180



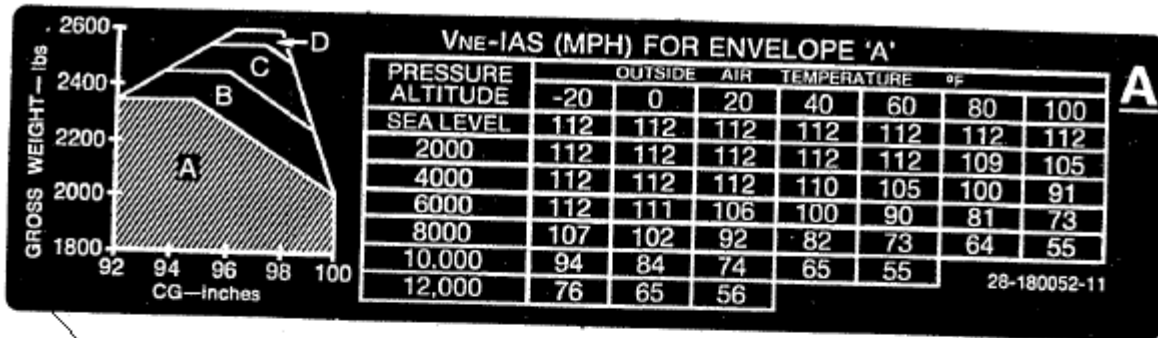
1190

Sheet 11 of 13

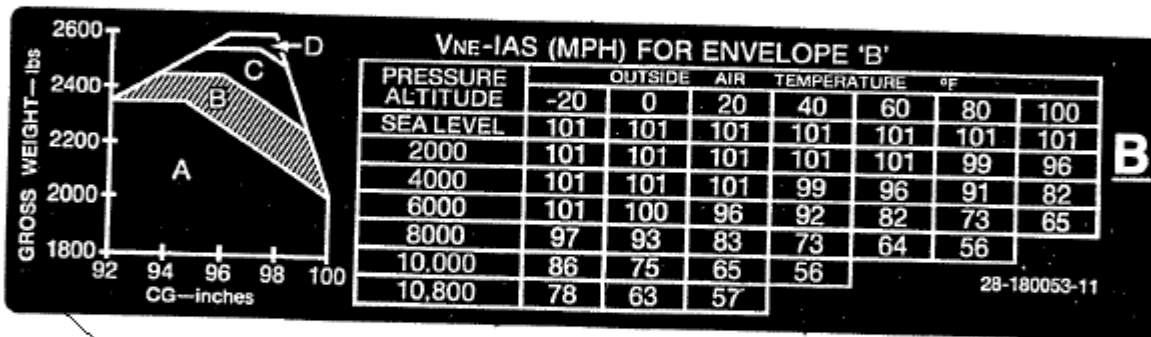
FIGURE 11-21. PLACARD INSTALLATION

UNCONTROLLED COPY WHEN DOWNLOADED OR PRINTED

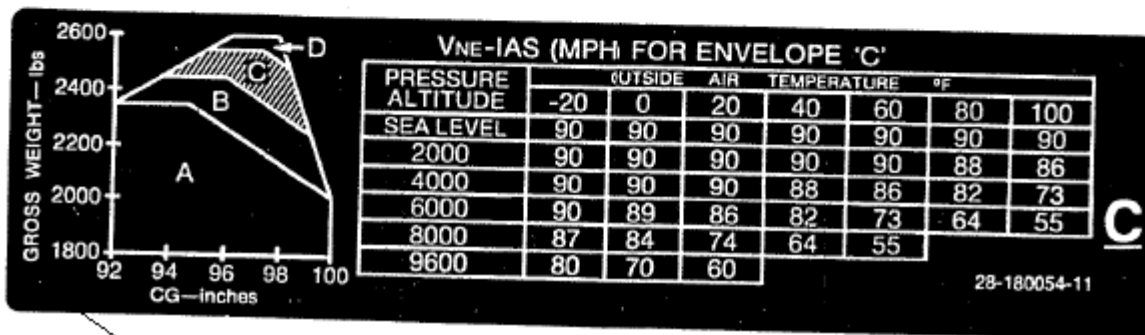
ENSTROM F-28/280 SERIES ILLUSTRATED PARTS CATALOG



1200



1210

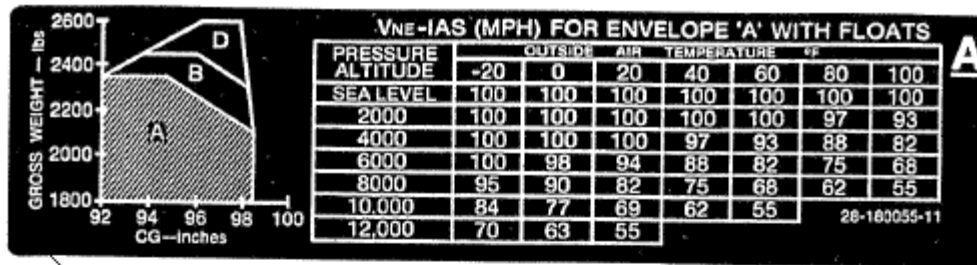


1220

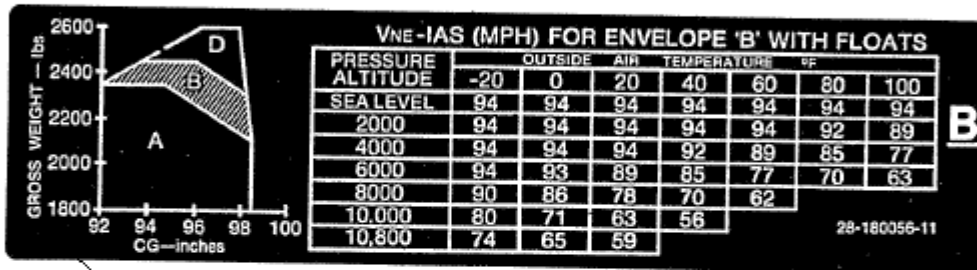
FIGURE 11-21. PLACARD INSTALLATION

UNCONTROLLED COPY WHEN DOWNLOADED OR PRINTED

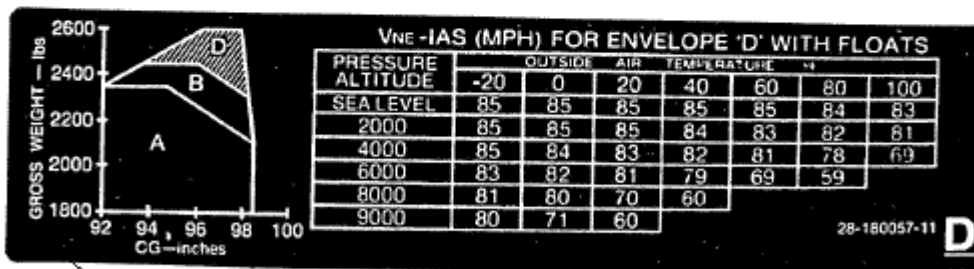
ENSTROM F-28/280 SERIES ILLUSTRATED PARTS CATALOG



1230



1240



1250

WARNING

TURN OFF STROBE LIGHTS WHEN TAXIING IN VICINITY OF OTHER AIRCRAFT, OR DURING FLIGHT THROUGH CLOUD, FOG OR HAZE. STANDARD POSITION LIGHTS TO BE ON FOR ALL NIGHT OPERATIONS.

1260

FIGURE 11-21. PLACARD INSTALLATION

ENSTROM F-28/280 SERIES ILLUSTRATED PARTS CATALOG

FIGURE 11-21. PLACARD INSTALLATION

| ITEM NUMBER | PART NUMBER | DESCRIPTION | QTY PER ASSY | MODELS AFFECTED | | | | | | |
|-------------|---------------|--------------------------------------|--------------|-----------------|-----|-------|------|-------|------|-------|
| | | | | F-28A | 280 | F-28C | 280C | F-28F | 280F | 280FX |
| - | 28-00017-1 | Placard Installation F28F | REF | | | | | X | | |
| - | 28-00018-1 | Placard Installation 280FX | REF | | | | | | | X |
| 10 | 28-00014-1 | . Placard: Decal "Enstrom" Full | A/R | | | | | X | | X |
| 20 | 28-00014-3 | . Placard: Decal "Enstrom" Small | A/R | | | | | X | | X |
| 30 | 28-00015-1 | . Placard: Decal Blade Logo Full | A/R | | | | | X | | X |
| 40 | 28-00015-3 | . Placard: Decal Blade Logo Small | A/R | | | | | X | | X |
| 50 | 28-00016-1 | . Placard: Decal, "F28F" Full | A/R | | | | | X | | |
| 60 | 28-00016-3 | . Placard: Decal, "F28F" Small | A/R | | | | | X | | |
| 70 | 28-12433-1 | . Placard: Fuel "100/130 OCT-20 GAL" | 2 | | | X | X | X | X | X |
| 80 | 28-12433-21 | . Placard: Fuel Tank Cap | 2 | | | | | X | | X |
| 90 | 28-12479-11 | . Placard: "Fuel Sump Drain" | 1 | | | | X | X | X | X |
| 100 | 28-12830-11 | . Placard: Baggage Box Max 108 lb. | 1 | | | X | X | X | X | X |
| 110 | 28-17164-13 | . Placard: No Step | 2 | | | | | X | | X |
| 120 | 28-18009-15 | . Placard: Data, A/C MFG (F28F) | 1 | | | | | X | | |
| 130 | 28-18105-11 | . Placard: Static | 2 | X | X | X | X | X | X | X |
| 140 | 28-20107-11 | . Placard: "No Push" | 3 | X | X | X | X | X | X | X |
| 150 | 4119920-11 | . Registration Number Placard | A/R | | | | | X | | X |
| 160 | 4119920-13 | . Registration Number Placard | A/R | | | | | X | | X |
| 170 | 4119920-15 | . Registration Number Placard | A/R | | | | | X | | X |
| 180 | CCR274SS-3-02 | . Rivet | 4 | | | | | X | | X |
| 190 | 28-00013-1 | . Placard: Decal, "280FX" Full | A/R | | | | | | | X |
| 200 | 28-00013-3 | . Placard: Decal "280FX" Small | A/R | | | | | | | X |
| 210 | 28-18009-11 | . Placard: Data, A/C MFG (280FX) | 1 | | | | | | | X |
| 220 | 28-12416-3 | . Placard – Fuel Shut-Off | 1 | X | X | X | X | X | X | X |
| 230 | 28-12420-11 | . Placard – Sump Pump | 1 | X | X | X | X | X | X | |
| 240 | 28-12420-13 | . Placard – Sump Drain | 1 | X | X | X | X | X | X | |

UNCONTROLLED COPY WHEN DOWNLOADED OR PRINTED

ENSTROM F-28/280 SERIES ILLUSTRATED PARTS CATALOG

FIGURE 11-21. PLACARD INSTALLATION

| ITEM NUMBER | PART NUMBER | DESCRIPTION | QTY PER ASSY | MODELS AFFECTED | | | | | | |
|-------------|-------------|---|--------------|-----------------|-----|-------|------|-------|------|-------|
| | | | | F-28A | 280 | F-28C | 280C | F-28F | 280F | 280FX |
| 250 | 28-12420-15 | . Placard – Sump Drain | 1 | X | X | X | X | X | X | |
| 260 | 28-12424-1 | . Placard – Sight Gauge Border | 1 | X | X | X | X | | | |
| 270 | 28-12425-1 | . Placard – Fuel Tank 60 lbs. | 1 | X | X | X | X | | | |
| 280 | 28-12426-1 | . Placard – Fuel Tank 120 lbs. | 1 | X | X | X | X | | | |
| 290 | 28-12427-1 | . Placard – Fuel Tank 180 lbs. | 1 | X | X | X | X | | | |
| 300 | 28-12428-1 | . Placard – Fuel Tank 240 lbs. | 1 | X | X | X | X | | | |
| 310 | 28-12433-1 | . Placard – Fuel Tank Cap. 20 Gal. (White) | 2 | | | X | X | X | X | X |
| 310 | 28-12433-2 | . Placard – Fuel Tank Cap. 20 Gal. (White) (Replaced by 28-12433-1) | 2 | | | X | X | X | X | X |
| 320 | 28-12433-13 | . Placard – Fuel Tank Cap. 20 Gal. (Red) | 2 | | | X | X | X | X | X |
| 330 | 28-12450-11 | . Placard – Fuel Tank 15 Gal. (Red) | 1 | X | X | | | | | |
| 340 | 28-12450-13 | . Placard – Fuel Tank 15 Gal. (White) | 1 | X | X | | | | | |
| 350 | 28-12816-1 | . Placard – 60# Max. Wt. (Baggage Box) | 1 | X | X | X | X | | | |
| 360 | 28-14270-1 | . Placard – Main Rotor Blade Grip | 3 | X | X | X | X | X | X | X |
| 370 | 28-14374-15 | . Placard – Oil Damper Reservoir | 3 | X | X | X | X | X | X | X |
| 370 | 28-14374-13 | . Placard – Damper Reservoir (Replaced by 28-14374-15) | 3 | X | X | X | X | X | X | X |
| 380 | 28-16215-1 | . Placard – On/Off | A/R | X | X | X | X | X | X | X |
| 390 | 28-16296-11 | . Placard – Coll. Friction | 1 | X | X | X | X | X | X | X |
| 400 | 28-16449-1 | . Fuel Mixture Placard | 1 | X | X | X | X | X | X | X |
| 410 | 28-16525-1 | . Placard – Rotor Clutch | 1 | X | X | X | X | X | X | X |
| 420 | 28-16526-1 | . Placard – Pull to Engage | 1 | X | X | X | X | X | X | X |
| 430 | 28-17005-1 | . Warning Placard – Ground Handling Lever | 1 | X | X | X | X | X | X | X |
| 440 | 28-17318-1 | . Placard – Aft Landing Light | 1 | X | | | | | | |
| 450 | 28-17331-15 | . Placard Never Ex Speeds Floats | 1 | | | X | X | X | X | X |

UNCONTROLLED COPY WHEN DOWNLOADED OR PRINTED

ENSTROM F-28/280 SERIES ILLUSTRATED PARTS CATALOG

FIGURE 11-21. PLACARD INSTALLATION

| ITEM NUMBER | PART NUMBER | DESCRIPTION | QTY PER ASSY | MODELS AFFECTED | | | | | | |
|-------------|-------------|---|--------------|-----------------|-----|-------|------|-------|------|-------|
| | | | | F-28A | 280 | F-28C | 280C | F-28F | 280F | 280FX |
| 450 | 28-17331-1 | . Placard – Vne (Float, Aux. Fuel) (Replaced by 28-17331-15) | 1 | | | X | X | X | X | X |
| 460 | 28-17331-13 | . Placard – Vne (Float, Aux. Fuel) | 1 | | | X | X | X | X | X |
| 470 | 28-18005-1 | . Placard – Master Switch | 1 | X | | X | | | | |
| 480 | 28-18006-1 | . Placard – No Smoking | 1 | X | | | | | | |
| 490 | 28-18007-1 | . Placard – Manual Compliance | 1 | X | X | | X | | | |
| 500 | 28-18011-1 | . Placard – System Fuel Pressure | 1 | X | X | | | | | |
| 510 | 28-18012-1 | . Placard – Radio C-B | 1 | X | X | | | | | |
| 520 | 28-18013-1 | . Placard – Inst. Ident. | 1 | X | | | | | | |
| 530 | 28-18014-1 | . Placard – Vne (F28A) | 1 | X | | | | | | |
| 540 | 28-18015-1 | . Placard – Limitations | 1 | X | | | | | | |
| 550 | 28-18016-1 | . Placard – Panel Light Dimmer | 1 | X | X | X | X | X | X | X |
| 560 | 28-18037-1 | . Placard – Gyro C-B | 1 | X | X | X | X | X | X | X |
| 570 | 28-18037-2 | . Placard – Gyro C-B | 1 | X | X | X | X | X | X | X |
| 580 | 28-18037-3 | . Placard – Nav. C-B | 1 | X | X | X | X | X | X | X |
| 590 | 28-18043-1 | . Placard – Fuel Press. | 1 | X | | | | | | |
| 600 | 28-18048-1 | . Placard – Switch Panel | 1 | X | | | | | | |
| 610 | 28-18052-1 | . Placard – Off | 7 | X | X | | | | | |
| 620 | 28-18053-1 | . Placard – On | 7 | X | X | | | | | |
| 630 | 28-18081-11 | . Placard – Buss Fault Breaker | 1 | | | X | X | X | X | X |
| 640 | 28-18087-1 | . Placard – Alternator Excitation | 1 | | | X | | | X | |
| 650 | 28-18088-1 | . Placard – “E” (Compass) | 1 | | | X | | | X | |
| 660 | 28-18088-2 | . Placard – “E” (Compass) | 1 | | | X | | | X | |
| 670 | 28-18092-11 | . Placard – Overboost | 1 | X | | X | X | | X | X |
| 680 | 28-18100-11 | . Placard – Caution, Mixture Control | 1 | | X | X | X | X | X | X |
| 690 | 28-18105-13 | . Placard – Static Air Vent | 2 | X | X | X | X | X | X | X |
| 700 | 28-18107-1 | . Placard – Enstrom (Large White) | 1 | X | X | X | X | X | X | X |
| 710 | 28-18108-1 | . Placard – Enstrom (Large Black) | 1 | X | X | X | X | X | X | X |
| 720 | 28-19037-11 | . Placard – Clutch Disengaged | 1 | | | X | X | X | X | X |

UNCONTROLLED COPY WHEN DOWNLOADED OR PRINTED

ENSTROM F-28/280 SERIES ILLUSTRATED PARTS CATALOG

FIGURE 11-21. PLACARD INSTALLATION

| ITEM NUMBER | PART NUMBER | DESCRIPTION | QTY PER ASSY | MODELS AFFECTED | | | | | | |
|-------------|-------------|---|--------------|-----------------|-----|-------|------|-------|------|-------|
| | | | | F-28A | 280 | F-28C | 280C | F-28F | 280F | 280FX |
| 730 | 28-19046-11 | . Placard – Test | 1 | | | | | X | | X |
| 740 | 28-19101-11 | . Placard – APU Install. | 1 | X | X | X | X | X | X | X |
| 750 | 28-20107-11 | . Placard – No Push | 7 | X | X | X | X | X | X | X |
| 750 | 28-20107-13 | . Placard – No Push (Replaced by 28-20107-11) | 7 | X | X | X | X | X | X | X |
| 760 | 28-21021-1 | . Placard – 12 Volts | 1 | X | | | | | | |
| 770 | 28-21035-5 | . Placard – Fwd. Light | 1 | | | X | | X | | |
| 780 | 28-22013-1 | . Placard – Cargo Arming Switch | 1 | X | X | X | X | X | X | X |
| 790 | 28-22016-5 | . Placard – Cargo Hook Installation | 1 | X | X | X | X | X | X | X |
| 790 | 28-22016-1 | . Placard – Load Oper. (Replaced by 28-22016-5) | 1 | X | X | X | X | X | X | X |
| 800 | 28-22018-1 | . Placard – Cargo Hook Limitations (500#) | 1 | X | X | X | X | X | X | X |
| 810 | 28-22018-2 | . Placard – Cargo Hook Limitations (1000#) | 1 | X | X | X | X | X | X | X |
| 820 | 28-22019-1 | . Placard – Cargo Hook | 1 | X | X | X | X | X | X | X |
| 830 | 28-22216-13 | . EC-100 Install. | A/R | | | | | X | X | X |
| 840 | 28-22343-1 | . Placard – Center Console Defrost | 1 | | | X | | | | |
| 850 | 28-22501-1 | . Decals – Start – Alter. | A/R | X | X | X | X | X | X | X |
| 860 | 28-22501-2 | . Headset | A/R | X | X | X | X | X | X | X |
| 870 | 28-22501-3 | . Microphone | A/R | X | X | X | X | X | X | X |
| 880 | 28-22501-4 | . ADF | A/R | X | X | X | X | X | X | X |
| 890 | 28-22501-5 | . Com | A/R | X | X | X | X | X | X | X |
| 900 | 28-22501-6 | . Nav | A/R | X | X | X | X | X | X | X |
| 910 | 28-22501-7 | . Dir-Gyro | A/R | X | X | X | X | X | X | X |
| 920 | 28-22501-8 | . Encoder | A/R | X | X | X | X | X | X | X |
| 930 | 28-22501-9 | . Starter – Engine | A/R | X | X | X | X | X | X | X |
| 940 | 28-22501-10 | . Dimmer – Panel Lt. | A/R | X | X | X | X | X | X | X |
| 950 | 28-22504-1 | . Placard – Fuel Transfer (180 lbs.) | 1 | | X | X | X | X | X | X |

UNCONTROLLED COPY WHEN DOWNLOADED OR PRINTED

ENSTROM F-28/280 SERIES ILLUSTRATED PARTS CATALOG

FIGURE 11-21. PLACARD INSTALLATION

| ITEM NUMBER | PART NUMBER | DESCRIPTION | QTY PER ASSY | MODELS AFFECTED | | | | | | |
|-------------|--------------|--|--------------|-----------------|-----|-------|------|-------|------|-------|
| | | | | F-28A | 280 | F-28C | 280C | F-28F | 280F | 280FX |
| 960 | 28-22505-1 | . Placard – Fuel Transfer (1/2 Tank) | 1 | X | | | | | | |
| 970 | 28-22506-1 | . Placard – Octane & Gal. | 1 | X | X | X | X | X | X | X |
| 980 | 28-22507-1 | . Placard – Aux. Fuel, C-B | 1 | X | X | X | X | X | X | X |
| 990 | 28-22508-1 | . Placard – Aux. Fuel, Switch | 1 | X | X | X | X | X | X | X |
| 1000 | 28-22540-11 | . Placard – Monitor, G.E.M. | 1 | | | | X | X | X | |
| 1010 | 28-22543-11 | . Placard – Max. EGT | 1 | | | X | X | X | X | X |
| 1020 | 28-22606-1 | . Placard – AG Kit (AG Power) | 1 | | | X | X | X | X | |
| 1030 | 28-22607-1 | . Placard – AG Kit (Pump) | 1 | | | X | X | X | X | |
| 1040 | 28-22608-1 | . Placard – AG Kit (Limitations) | 1 | | | X | X | X | X | |
| 1050 | 28-22609-11 | . Placard – AG Kit (Restricted) | 1 | | | X | X | X | X | |
| 1060 | 28-22613-1 | . Placard – AG Kit (Fluid Levels) | 1 | | | X | X | X | X | |
| 1070 | 28-22615-15 | . Placard – Vne F AG & CH | A/R | | | X | X | X | X | |
| 1070 | 28-22615-11 | . Placard – Vne (AG Kit) (Replaced by 28-22615-15) | A/R | | | X | X | X | X | |
| 1080 | 28-22615-13 | . Placard – Vne (AG Kit) | A/R | | | X | X | X | X | |
| 1090 | 280-180007-1 | . Placard – Manual & Vne | 1 | | X | | X | | | |
| 1100 | 28-180012-1 | . Placard – Vne | 1 | | | | X | | | |
| 1110 | 28-180018-1 | . Placard – Manual & Vne | 1 | | | X | | | | |
| 1120 | 28-180021-1 | . Placard – Vne (Knots) | 1 | | | X | | | | |
| 1130 | 28-180022-1 | . Placard – Vne (Knots) | 1 | | X | | | | | |
| 1140 | 28-180023-1 | . Placard – Vne (2350# GW) | 1 | | X | | X | | | |
| 1150 | 28-180030-1 | . Placard – Vne (2350# GW) | 1 | | | X | | X | | |
| 1160 | 28-180045-13 | . Placard – Vne, MPH “A” | 1 | | | | | | X | X |
| 1160 | 28-180045-11 | . Placard – Vne Env. A (Replaced by 28-180045-13) | 1 | | | | | | X | X |
| 1170 | 28-180046-13 | . Placard – Vne, MPH “B” | 1 | | | | | | X | X |
| 1170 | 28-180046-11 | . Placard – Vne Env. B (Replaced by 28-180046-13) | 1 | | | | | | X | X |
| 1180 | 28-180047-13 | . Placard – Vne, MPH “C” | 1 | | | | | | X | X |

UNCONTROLLED COPY WHEN DOWNLOADED OR PRINTED

ENSTROM F-28/280 SERIES ILLUSTRATED PARTS CATALOG

FIGURE 11-21. PLACARD INSTALLATION

| ITEM NUMBER | PART NUMBER | DESCRIPTION | QTY PER ASSY | MODELS AFFECTED | | | | | | |
|-------------|--------------|--|--------------|-----------------|-----|-------|------|-------|------|-------|
| | | | | F-28A | 280 | F-28C | 280C | F-28F | 280F | 280FX |
| 1180 | 28-180047-11 | . Placard – Vne Env. C (Replaced by 28-180047-13) | 1 | | | | | | X | X |
| 1190 | 28-180048-13 | . Placard – Vne, MPH “D” | 1 | | | | | X | X | X |
| 1190 | 28-180048-11 | . Placard – Vne Env. D (Replaced by 28-180048-13) | 1 | | | | | X | X | X |
| 1200 | 28-180052-13 | . Placard – Vne, MPH “A” | 1 | | | | | X | | |
| 1200 | 28-180052-11 | . Placard – Vne Env. A (Replaced by 28-180052-13) | 1 | | | | | X | | |
| 1210 | 28-180053-13 | . Placard – Vne, MPH “B” | 1 | | | | | X | | |
| 1210 | 28-180053-11 | . Placard – Vne Env. B (Replaced by 28-180053-13) | 1 | | | | | X | | |
| 1220 | 28-180054-13 | . Placard – Vne, MPH “C” | 1 | | | | | X | | |
| 1220 | 28-180054-11 | . Placard – Vne Env. C (Replaced by 28-180054-13) | 1 | | | | | X | | |
| 1230 | 28-180055-13 | . Placard – Vne, MPH “A” | 1 | | | | | X | X | X |
| 1230 | 28-180055-11 | . Placard – Floats Env. A (Replaced by 28-180055-13) | 1 | | | | | X | X | X |
| 1240 | 28-180056-13 | . Placard – Vne, MPH “B” | 1 | | | | | X | X | X |
| 1240 | 28-180056-11 | . Placard – Floats Env. B (Replaced by 28-180056-13) | 1 | | | | | X | X | X |
| 1250 | 28-180057-13 | . Placard – Vne, MPH “D” | 1 | | | | | X | X | X |
| 1250 | 28-180057-11 | . Placard – Floats Env. D (Replaced by 28-180057-13) | 1 | | | | | X | X | X |
| 1260 | A421-1 | . Placard – Warning | 1 | X | X | X | X | X | X | X |

UNCONTROLLED COPY WHEN DOWNLOADED OR PRINTED

ENSTROM F-28/280 SERIES ILLUSTRATED PARTS CATALOG

SECTION 12

TAIL ROTOR SYSTEM

TABLE OF CONTENTS

| | | |
|-----------------------|---|-------|
| | Cover Page | 12-1 |
| | Table of Contents | 12-1 |
| 12-1 | Tail Rotor Transmission Assembly | 12-3 |
| 12-2 | Flex Coupling Installation | 12-7 |
| 12-3 | Tail Rotor Hanger Bearing Installation | 12-11 |
| 12-4 | Rotor Tachometer Assembly | 12-13 |
| 12-5 | Tail Rotor Blade Control Installation | 12-17 |
| 12-6 | Tail Rotor Pitch Link Assembly | 12-29 |
| 12-7 | Tail Rotor Mechanical Controls (Right Hand Gearbox) | 12-33 |
| 12-8 | Tail Rotor Mechanical Controls (Left Hand Gearbox) | 12-37 |
| 12-9 | 28-15018-3 Tail Rotor Assembly | 12-41 |
| 12-10 | 28-150000-7, -10 Tail Rotor Assembly | 12-45 |
| 12-11 | 28-150050-2 Tail Rotor Assembly | 12-49 |
| 12-12 | 28-150073-1, -5 Tail Rotor Assembly | 12-53 |
| 12-13 | 28-150079-1, -5 Tail Rotor Assembly | 12-57 |

ENSTROM F-28/280 SERIES ILLUSTRATED PARTS CATALOG

I

INTENTIONALLY LEFT BLANK

ENSTROM F-28/280 SERIES ILLUSTRATED PARTS CATALOG

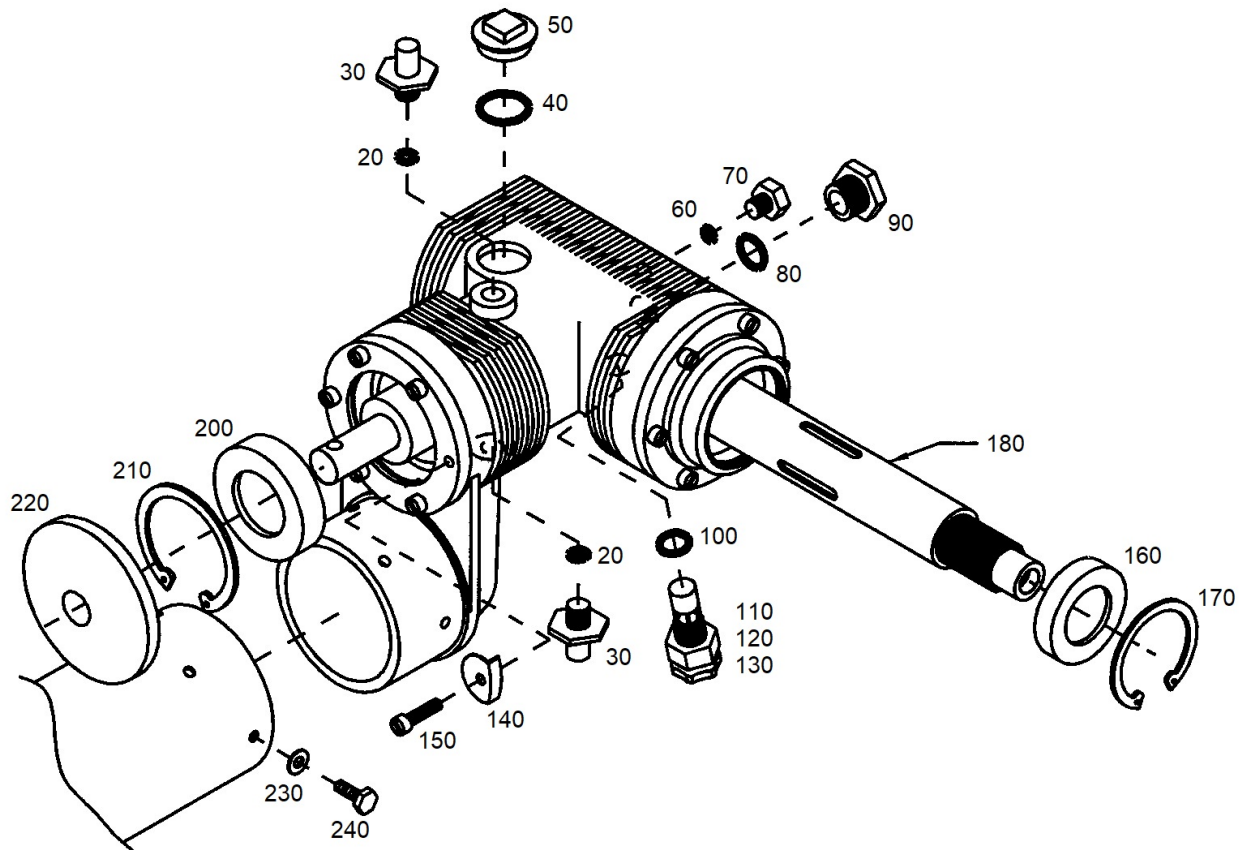


FIGURE 12-1. TAIL ROTOR TRANSMISSION ASSEMBLY

ENSTROM F-28/280 SERIES ILLUSTRATED PARTS CATALOG

FIGURE 12-1. TAIL ROTOR TRANSMISSION ASSEMBLY

| ITEM NUMBER | PART NUMBER | DESCRIPTION | QTY PER ASSY | MODELS AFFECTED | | | | | | |
|-------------|---------------|---|--------------|-----------------|-----|-------|------|-------|------|-------|
| | | | | F-28A | 280 | F-28C | 280C | F-28F | 280F | 280FX |
| -10 | 28-13525-5 | . Tail Rotor Transmission Assembly | 1 | X | X | X | X | X | X | |
| 10A* | 28-13525-7 | . Tail Rotor Transmission Assembly | 1 | | | | | X | | X |
| 20 | MS28778-3 | .. O-Ring | 2 | X | X | X | X | X | X | X |
| 30 | 28-135003-11 | .. Bolt | 2 | X | X | X | X | X | X | X |
| 30 | 28-135003-1 | .. Bolt (Superseded by 28-135003-11) | 2 | X | X | X | X | X | X | X |
| 40 | MS28775-018 | .. O-Ring | 1 | X | X | X | X | X | X | X |
| 50 | 28-13515-3 | .. Plug | 1 | X | X | X | X | X | X | X |
| 60 | MS28778-2 | .. O-Ring | 1 | X | X | X | X | X | X | X |
| 70 | AN814-2DL | .. Plug | 1 | X | X | X | X | X | X | X |
| 80 | MS28775-113 | .. O-Ring | 1 | X | X | X | X | X | X | X |
| 90 | S83BZ-2 | .. Sight Plug | 1 | X | X | X | X | X | X | X |
| 100 | MS35769-9 | .. Gasket | 1 | X | X | X | X | X | X | X |
| -110 | CD7L | .. Chip Detector (Used with 28-13525-5) | 1 | X | X | X | X | X | X | |
| 110A | K94RA | .. Chip Detector (Used with 28-13525-7) | 1 | | | | | X | | X |
| 120 | M83248/1-008 | .. O-Ring (Alternate) | 1 | X | X | X | X | X | X | X |
| 130 | 21FA-540 | .. Nut | 1 | X | X | X | X | X | X | X |
| 140** | 28-13531-11 | .. Tab | 2 | X | X | X | X | X | X | X |
| 150 | NAS1351-3H10P | .. Screw | 12 | X | X | X | X | X | X | X |
| 160 | 28-13532-11 | .. Seal | 1 | X | X | X | X | X | X | X |
| 170 | N5000-175-PP | .. Retaining Ring | 1 | X | X | X | X | X | X | X |
| 180 | 28-13511-11 | .. Spacer | 1 | X | X | X | X | X | X | X |
| -190 | 28-13145-1 | .. Placard | 1 | X | X | X | X | X | X | X |
| 200‡ | 1539-001 | . Seal | 1 | X | X | X | X | X | X | X |
| 210‡ | N5000-206-PP | . Retaining Ring | 1 | X | X | X | X | X | X | X |
| 220‡ | 28-16399-13 | . Slinger | 1 | X | X | X | X | X | X | X |
| 230† | NAS1149F0332P | . Washer | 6 | X | X | X | X | X | X | X |
| 230† | AN960-10L | . Washer (Alternate) | 6 | X | X | X | X | X | X | X |

ENSTROM F-28/280 SERIES ILLUSTRATED PARTS CATALOG

FIGURE 12-1. TAIL ROTOR TRANSMISSION ASSEMBLY

| ITEM NUMBER | PART NUMBER | DESCRIPTION | QTY PER ASSY | MODELS AFFECTED | | | | | | |
|-------------|-------------|----------------------------------|--------------|-----------------|-----|-------|------|-------|------|-------|
| | | | | F-28A | 280 | F-28C | 280C | F-28F | 280F | 280FX |
| 240† | NAS6603H1 | . Bolt | 6 | X | X | X | X | X | X | X |
| 240† | AN3H3A | . Bolt (Superseded by NAS6603H1) | 6 | X | X | X | X | X | X | X |
| -250† | MS20995C32 | . Safety Wire | A/R | X | X | X | X | X | X | X |

- * Available as a remanufactured part (-R).
- ** Omitted if retaining ring is present (Item 210).
- ‡ Part called out in P/N 28-13504-3 assembly.
- † Part called out in P/N 28-16398 installation.

ENSTROM F-28/280 SERIES ILLUSTRATED PARTS CATALOG

I

INTENTIONALLY LEFT BLANK

ENSTROM F-28/280 SERIES ILLUSTRATED PARTS CATALOG

FIGURE 12-2. FLEX COUPLING INSTALLATION

| ITEM NUMBER | PART NUMBER | DESCRIPTION | QTY PER ASSY | MODELS AFFECTED | | | | | | |
|-------------|--------------|---|--------------|-----------------|-----|-------|------|-------|------|-------|
| | | | | F-28A | 280 | F-28C | 280C | F-28F | 280F | 280FX |
| -5* | 28-13617-903 | Tail Rotor Drive Shaft Assembly | REF | X | X | | | X | X | X |
| -5A* | 28-13617-905 | Tail Rotor Drive Shaft Assembly | REF | | | X | X | | | |
| 10 | 28-13618-1 | . Tail Rotor Drive Shaft | 1 | X | X | X | X | X | X | X |
| 20** | 28-13613-1 | . Coupling Hub | 2 | X | X | X | X | X | X | X |
| -20A | 28-13613-901 | . Coupling Hub (Drilled) | 2 | X | X | X | X | X | X | X |
| 30 | 28-13614-1 | . Coupling Hub | 1 | X | X | X | X | X | X | X |
| -30A | 28-13614-1DR | . Coupling Hub (Drilled) | 1 | X | X | X | X | X | X | X |
| 40 | 28-13607-1 | . Sleeve | 1 | X | X | X | X | X | X | X |
| 50** | AN386-2-8A | . Taper Pin (Head Dia. .296"/7.5 mm) (Grip 1.00"/25.4 mm) | 2 | X | X | X | X | X | X | X |
| 50A | 28-13623-11 | . O/S Taper Pin (Head Dia. .305"/7.6 mm) (Grip 1.12"/28.4 mm) | A/R | X | X | X | X | X | X | X |
| 50A | 28-13600-6 | . O/S Taper Pin (Superseded by 28-13623-11) | A/R | X | X | X | X | X | X | X |
| 50B | 28-13623-13 | . O/S Taper Pin (Head Dia. .310"/7.8 mm) (Grip 1.12"/28.4 mm) | A/R | X | X | X | X | X | X | X |
| 50B | 28-13600-7 | . O/S Taper Pin (Superseded by 28-13623-13) | A/R | X | X | X | X | X | X | X |
| 50C | 28-13623-17 | . O/S Taper Pin (Head Dia. .318"/8 mm) (Grip 1.12"/28.4 mm) | A/R | X | X | X | X | X | X | X |
| 50C | 28-13600-8 | . O/S Taper Pin (Superseded by 28-13623-17) | A/R | X | X | X | X | X | X | X |
| 60 | AN386-2-7A | . Taper Pin (Head Dia. .296"/7.5 mm) (Grip 1.00"/25.4 mm) | 1 | X | X | X | X | X | X | X |
| 60A | 28-13623-25 | . O/S Taper Pin (Head Dia. .302"/7.6 mm) (Grip 1.00"/25.4 mm) | A/R | X | X | X | X | X | X | X |
| 60A | 28-13600-3 | . O/S Taper Pin (Superseded by 28-13623-25) | A/R | X | X | X | X | X | X | X |
| 60B | 28-13623-27 | . O/S Taper Pin (Head Dia. .307"/7.7 mm) (Grip 1.00"/25.4 mm) | A/R | X | X | X | X | X | X | X |
| 60B | 28-13600-4 | . O/S Taper Pin (Superseded by 28-13623-27) | A/R | X | X | X | X | X | X | X |

ENSTROM F-28/280 SERIES ILLUSTRATED PARTS CATALOG

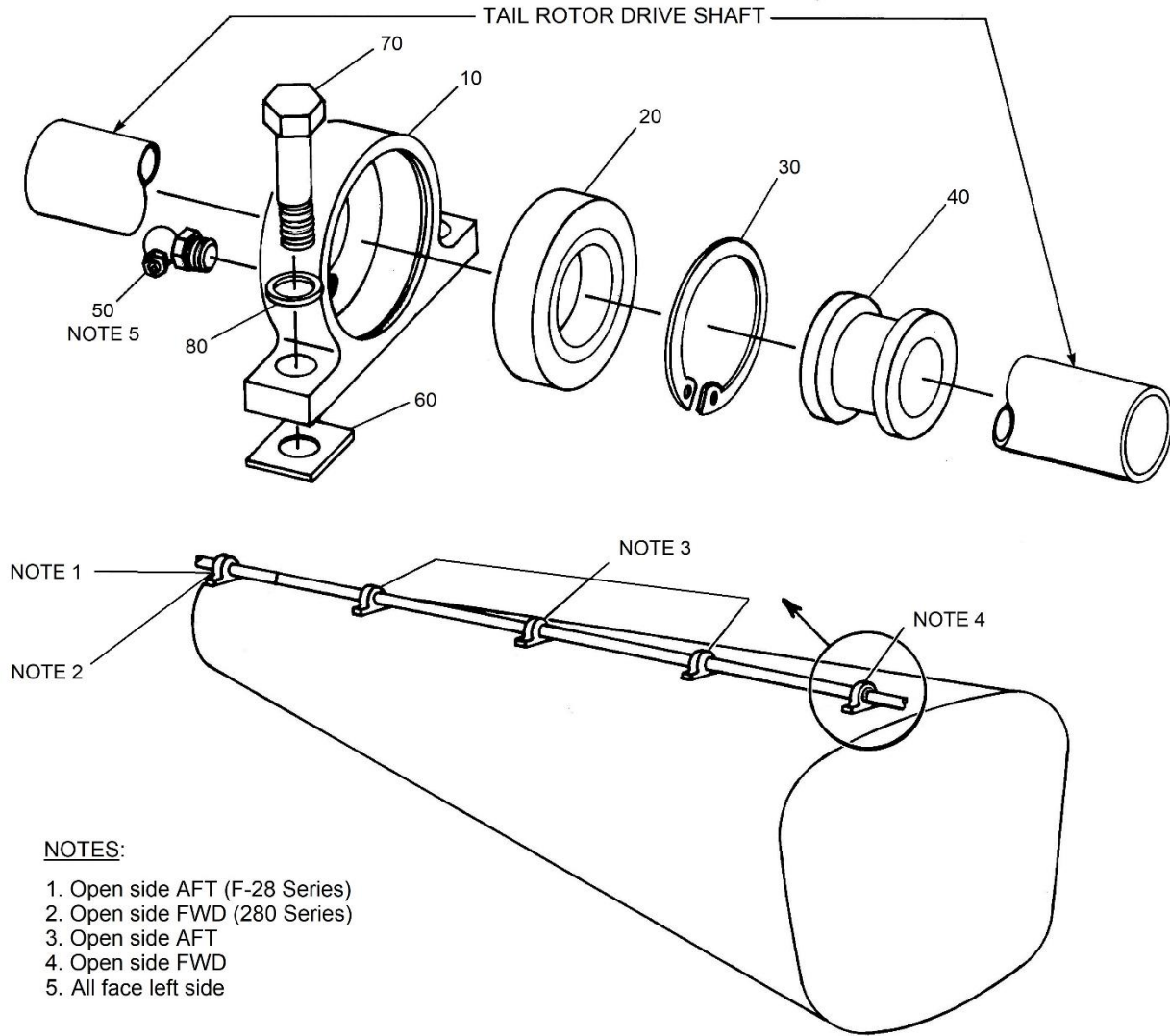
FIGURE 12-2. FLEX COUPLING INSTALLATION

| ITEM NUMBER | PART NUMBER | DESCRIPTION | QTY PER ASSY | MODELS AFFECTED | | | | | | |
|-------------|-------------|---|--------------|-----------------|-----|-------|------|-------|------|-------|
| | | | | F-28A | 280 | F-28C | 280C | F-28F | 280F | 280FX |
| 60C | 28-13623-29 | . O/S Taper Pin (Head Dia. .314"/7.9 mm) (Grip 1.00"/25.4 mm) | A/R | X | X | X | X | X | X | X |
| 60C | 28-13600-5 | . O/S Taper Pin (Superseded by 28-13623-29) | A/R | X | X | X | X | X | X | X |
| 60D | 28-13623-31 | . O/S Taper Pin (Head Dia. .316"/8 mm) (Grip 1.00"/25.4 mm) | A/R | X | X | X | X | X | X | X |
| 70 | AN975-3 | . . Washer | 2 | X | X | X | X | X | X | X |
| 80** | MS21044N3 | . . Nut | 2 | X | X | X | X | X | X | X |
| 80** | AN365-1032A | . . Nut (Alternate) | 3 | X | X | X | X | X | X | X |
| 90 | NAS6604D7 | . Bolt | 4 | X | X | X | X | X | X | X |
| 90 | AN4-7A | . Bolt (Superseded by NAS6604D7) | 4 | X | X | X | X | X | X | X |
| 100 | AN960C416L | . Washers | 8 | X | X | X | X | X | X | X |
| 100A | AN960C416L | . Washers (For Alignment of Flex Plates) | A/R | X | X | X | X | X | X | X |
| 110 | MS21044N4 | . Nut | 4 | X | X | X | X | X | X | X |
| 110 | AN365-428A | . Nut (Superseded by MS21044N4) | 4 | X | X | X | X | X | X | X |
| 120Δ | 28-01041-1 | . Flex Pack Kit | 1 | X | X | X | X | X | X | X |
| 120 | 28-01041-3 | . Flex Pack Assembly | 1 | X | X | X | X | X | X | X |
| 120 | A005-1991 | . Flex Pack (Superseded by 28-01041-3) | 1 | X | X | X | X | X | X | X |
| 130 | SST1.5I-M | . Cable Tie | 4 | X | X | X | X | X | X | X |
| 140** | 28-13619-1 | . . Plug | 2 | X | X | X | X | X | X | X |
| 150 | 28-13621-13 | . Washer | 8 | X | X | X | X | X | X | X |
| 150 | 28-13621-11 | . Washer (Replaced by 28-13621-13) | 8 | X | X | X | X | X | X | X |

ENSTROM F-28/280 SERIES ILLUSTRATED PARTS CATALOG

- * Drive shaft assembly including forward and aft hub assemblies. Included parts indented where noted by double dot.
- ** Quantity as ordered under P/N 28-13617-903/-905.
(Otherwise, Items 2 and 16 are Qty 1; Item 9 is Qty 3.)
- Special use only, as determined by Customer Service.
(Dimension to transmission input shaft .40"/.38".)
- Δ Kit includes P/N 28-01041-3 (Qty 1) and P/N 28-13621-13 (Qty 8).

ENSTROM F-28/280 SERIES ILLUSTRATED PARTS CATALOG



NOTES:

1. Open side AFT (F-28 Series)
2. Open side FWD (280 Series)
3. Open side AFT
4. Open side FWD
5. All face left side

FIGURE 12-3. TAIL ROTOR HANGER BEARING INSTALLATION

ENSTROM F-28/280 SERIES ILLUSTRATED PARTS CATALOG

FIGURE 12-3. TAIL ROTOR HANGER BEARING INSTALLATION

| ITEM NUMBER | PART NUMBER | DESCRIPTION | QTY PER ASSY | MODELS AFFECTED | | | | | | |
|-------------|---------------|--|--------------|-----------------|-----|-------|------|-------|------|-------|
| | | | | F-28A | 280 | F-28C | 280C | F-28F | 280F | 280FX |
| -5 | 28-13617-902 | . Bearing Housing Assembly | 5 | X | X | X | X | X | X | X |
| 10 | 28-13611-1 | . . Bearing Housing | 1 | X | X | X | X | X | X | X |
| 20 | ECD015-11 | . . Bearing | 1 | X | X | X | X | X | X | X |
| 30 | N5000-187-ZD | . . Snap Ring | 1 | X | X | X | X | X | X | X |
| 40 | 28-13606-1 | . . Bushing | 1 | X | X | X | X | X | X | X |
| 50 | 1637-B | . . Lube Fitting | 1 | X | X | X | X | X | X | X |
| -55* | 28-11238-1 | . Bracket Assembly | 1 | | | | | | | X |
| 60 | 28-13605-3 | . Shim .003 | A/R | X | X | X | X | X | X | X |
| 60 | 28-13605-4 | . Shim .007 | A/R | X | X | X | X | X | X | X |
| 60 | 28-13605-5 | . Shim .020 | A/R | X | X | X | X | X | X | X |
| 60 | 28-13605-6 | . Shim .032 | A/R | X | X | X | X | X | X | X |
| 60 | 28-13605-7 | . Shim .063 | A/R | X | X | X | X | X | X | X |
| 60 | 28-13605-8 | . Shim .025 | A/R | X | X | X | X | X | X | X |
| 70 | AN3-5A | . Bolt (Length AR) | 8 | X | X | X | X | X | X | X |
| 70 | NAS6603D4 | . Bolt | 2 | X | X | X | X | X | X | X |
| 70A** | AN3H5A | . Bolt (Length AR) (Superseded by NAS6603D4) | 2 | X | X | X | X | X | X | X |
| 80 | NAS1149C0332R | . Washer | 10 | X | X | X | X | X | X | X |
| 80 | AN960-C10L | . Washer (Alternate) | 10 | X | X | X | X | X | X | X |

* Install under aft-most bearing housing on 280FX models for drive shaft cover.

** Installed at aft-most bearing housing.

ENSTROM F-28/280 SERIES ILLUSTRATED PARTS CATALOG

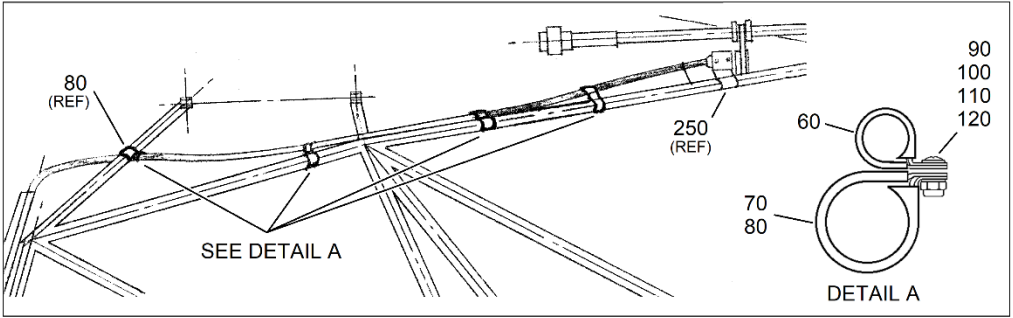
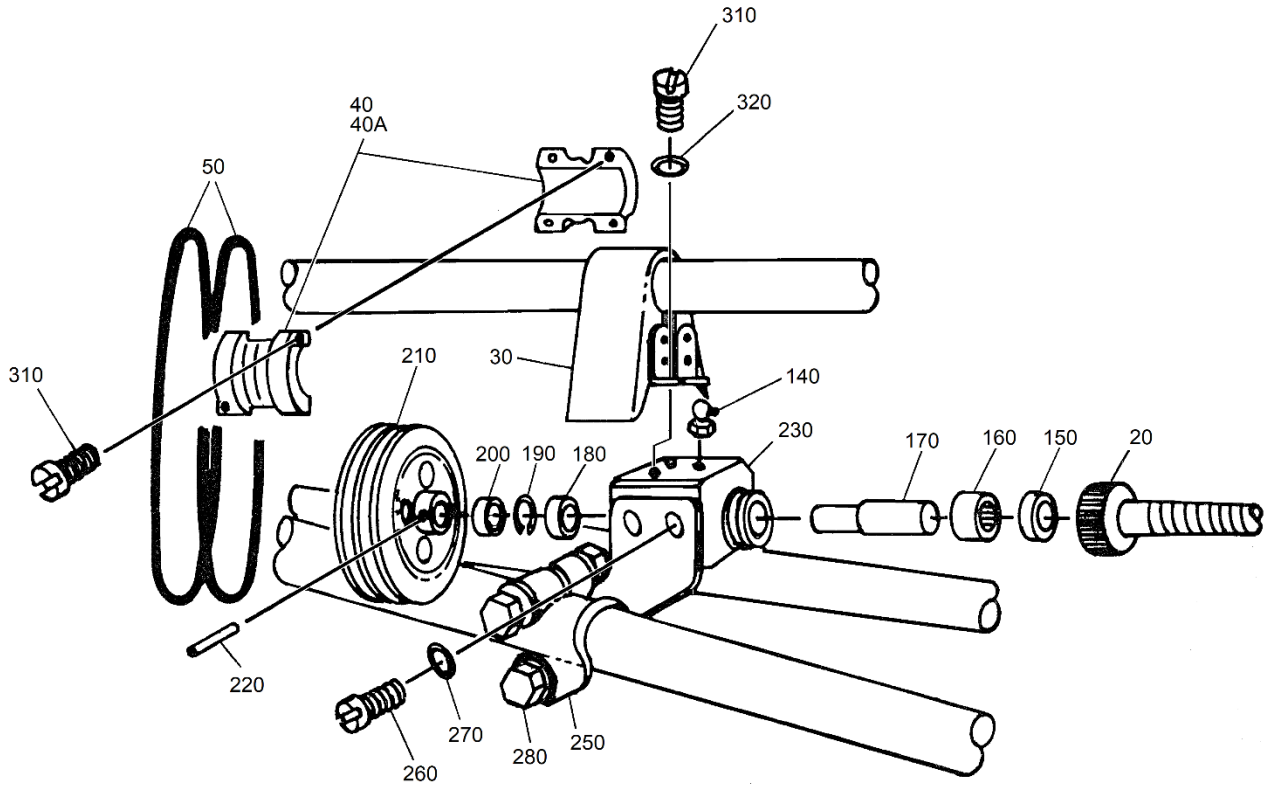


FIGURE 12-4. ROTOR TACHOMETER ASSEMBLY

ENSTROM F-28/280 SERIES ILLUSTRATED PARTS CATALOG

FIGURE 12-4. ROTOR TACHOMETER ASSEMBLY

| ITEM NUMBER | PART NUMBER | DESCRIPTION | QTY PER ASSY | MODELS AFFECTED | | | | | | |
|-------------|---------------|--|--------------|-----------------|-----|-------|------|-------|------|-------|
| | | | | F-28A | 280 | F-28C | 280C | F-28F | 280F | 280FX |
| -10 | 28-18020-1 | Tach Drive Assembly | REF | X | X | | | X | X | X |
| -10A | 28-18020-3 | Tach Drive Assembly (Inactive) | REF | | | X | X | | | |
| 20 | ECD108-3 | . Rotor Tach Cable | 1 | X | X | X | X | X | X | X |
| 20 | 12528Y-A164 | . Rotor Tach Cable (Superseded by ECD108-3) | 1 | X | X | X | X | X | X | X |
| 30* | 28-18031-3 | . Cover | 1 | X | X | X | X | X | X | X |
| 30 | 28-18031-1 | . Cover (Replaced by 28-18031-3) | 1 | X | X | X | X | X | X | X |
| 40 | 28-18027-1 | . Driver Pulley | 1 | X | X | | | X | X | X |
| 40A | 28-180010-11 | . Driver Pulley (Inactive) | 1 | | | X | X | | | |
| 50 | NAS1611-333A | . O-Ring | 2 | X | X | X | X | X | X | X |
| 60 | MS21919WDG-5 | . Clamp | 4 | X | X | X | X | X | X | X |
| 70 | MS21919WDG-14 | . Clamp | 3 | X | X | X | X | X | X | X |
| 80 | MS21919WDG-12 | . Clamp | 1 | X | X | X | X | X | X | X |
| 90 | MS35206-245 | . Screw | 4 | X | X | X | X | X | X | X |
| 90 | AN515-8R8 | . Screw (Superseded by MS35206-245) | 4 | X | X | X | X | X | X | X |
| 100 | NAS1149FN832P | . Washer | 8 | X | X | X | X | X | X | X |
| 100 | AN960-8 | . Washer (Alternate) | 8 | X | X | X | X | X | X | X |
| 110 | AN935-8 | . Lock Washer | 4 | X | X | X | X | X | X | X |
| 120 | MS35649-282 | . Nut | 4 | X | X | X | X | X | X | X |
| 120 | AN340-832 | . Nut (Superseded by MS35649-282) | 4 | X | X | X | X | X | X | X |
| -130 | 28-18020-5 | . Tach Assembly | REF | X | X | X | X | X | X | X |
| 140 | 1911-B1 | . . Lube Fitting | 1 | X | X | X | X | X | X | X |
| 150 | 1886 | . . Seal, Type TC | 1 | X | X | X | X | X | X | X |
| 150 | B-44-28-2 | . . Seal, Type B (Alternate) | 1 | X | X | X | X | X | X | X |
| 160 | B-710 | . . Bearing | 1 | X | X | X | X | X | X | X |

ENSTROM F-28/280 SERIES ILLUSTRATED PARTS CATALOG

FIGURE 12-4. ROTOR TACHOMETER ASSEMBLY

| ITEM NUMBER | PART NUMBER | DESCRIPTION | QTY PER ASSY | MODELS AFFECTED | | | | | | |
|-------------|----------------|--|--------------|-----------------|-----|-------|------|-------|------|-------|
| | | | | F-28A | 280 | F-28C | 280C | F-28F | 280F | 280FX |
| 170 | 28-18024-5 | . . Shaft Assembly | 1 | X | X | X | X | X | X | X |
| 170 | 28-18024-1 | . . Shaft Assembly (Superseded by 28-18024-5) | 1 | X | X | X | X | X | X | X |
| 180 | ECD066-1 | . . Bearing | 1 | X | X | X | X | X | X | X |
| 190 | N5000-62-PP | . . Snap Ring | 1 | X | X | X | X | X | X | X |
| 200 | 28-18034-1 | . . Spacer | 1 | X | X | X | X | X | X | X |
| 210 | 28-18030-1 | . . Driven Pulley | 1 | X | X | X | X | X | X | X |
| 220 | 79012-062-0500 | . . Roll Pin | 1 | X | X | X | X | X | X | X |
| 230 | 28-18026-3 | . . Tach Housing, Output | 1 | X | X | X | X | X | X | X |
| 230 | 28-18026-1 | . . Tach Housing, Output (Superseded by 28-18026-3) | 1 | X | X | X | X | X | X | X |
| -240 | 28-18020-7 | . Tach and Bracket Assembly | REF | X | X | X | X | X | X | X |
| 250 | 28-18028-1 | . . Tach Bracket | 1 | X | X | X | X | X | X | X |
| 260 | NK501-10-6 | . . Screw | 4 | X | X | X | X | X | X | X |
| 260 | NP501-10-6 | . . Screw (Alternate) | 4 | X | X | X | X | X | X | X |
| 270 | NAS1149F0363P | . . Washer | 4 | X | X | X | X | X | X | X |
| 270 | AN960-10 | . . Washer (Alternate) | 4 | X | X | X | X | X | X | X |
| 280 | NAS6603-12 | . . Bolt | 4 | X | X | X | X | X | X | X |
| 280 | AN3-11A | . . Bolt (Superseded by NAS6603-12) | 4 | X | X | X | X | X | X | X |
| -290 | NAS1149F0363P | . . Washer | 8 | X | X | X | X | X | X | X |
| -300 | MS21044N3 | . . Nut | 4 | X | X | X | X | X | X | X |
| 310 | NK500-8-X | . Screw (Length A/R) | 6 | X | X | X | X | X | X | X |
| 310 | NP500-8-X | . Screw (Length A/R) (Alternate) | 6 | X | X | X | X | X | X | X |
| 320 | NAS1149FN832P | . Washer | 2 | X | X | X | X | X | X | X |
| 320 | AN960-8 | . Washer (Alternate) | 2 | X | X | X | X | X | X | X |

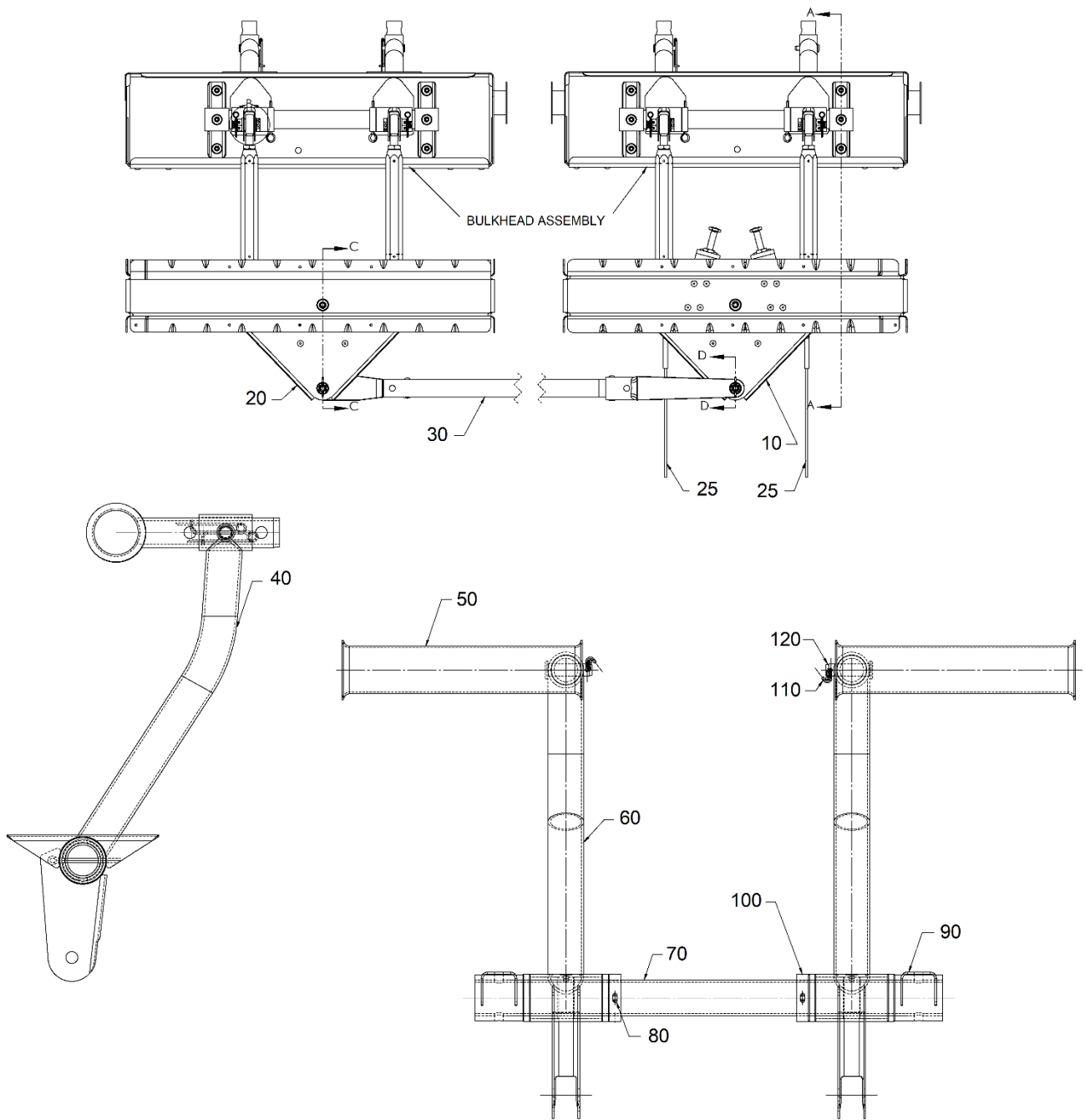
* Effective F-28F S/N 883 and subsequent, 280FX S/N 2147 and subsequent. Eligibility all S/N.

ENSTROM F-28/280 SERIES ILLUSTRATED PARTS CATALOG

I

INTENTIONALLY LEFT BLANK

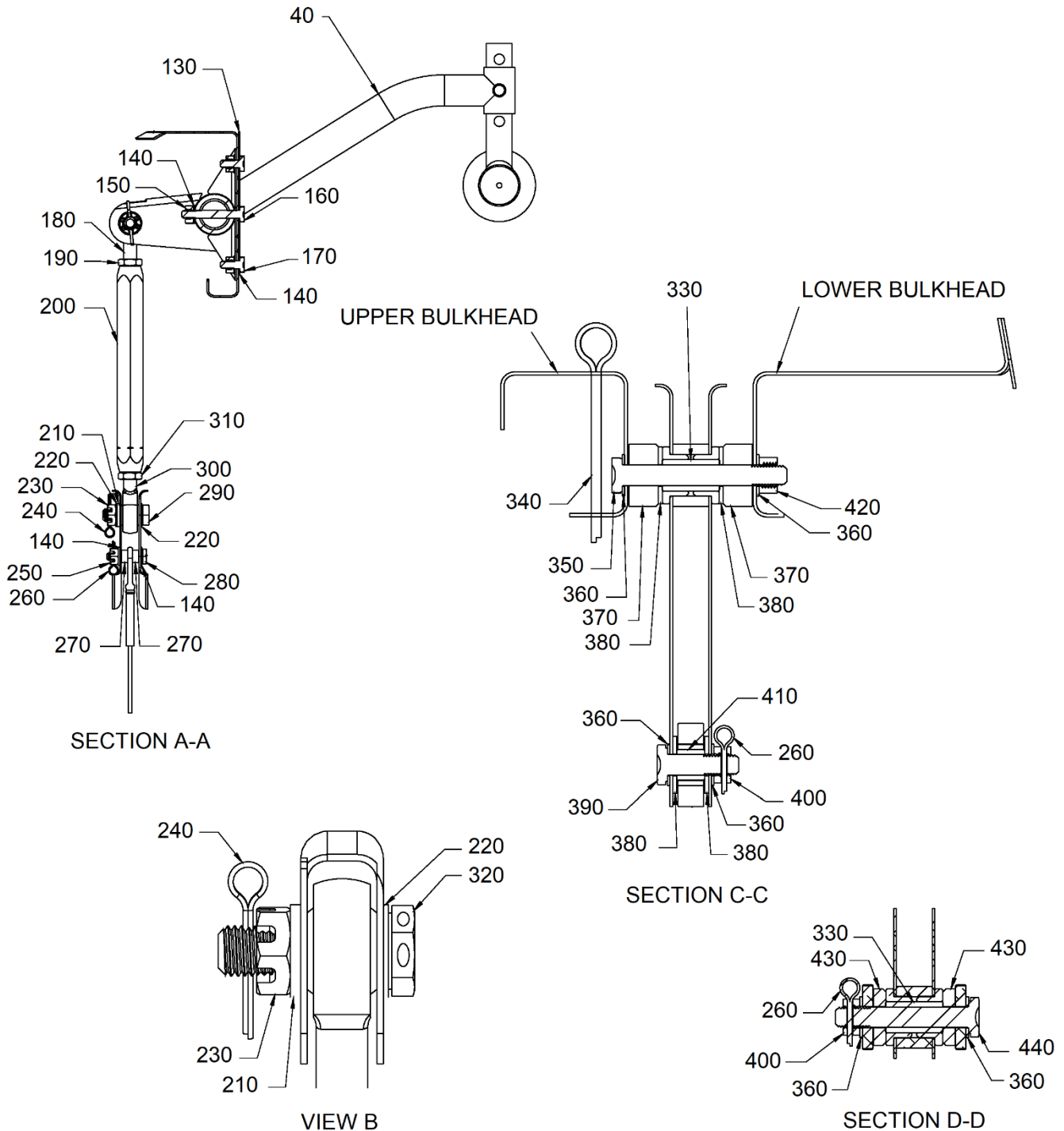
ENSTROM F-28/280 SERIES ILLUSTRATED PARTS CATALOG



Sheet 1 of 6

FIGURE 12-5. TAIL ROTOR BLADE CONTROL INSTALLATION

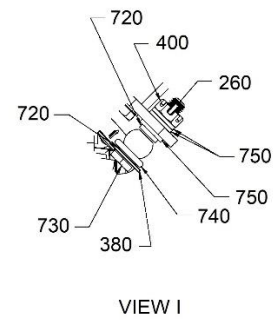
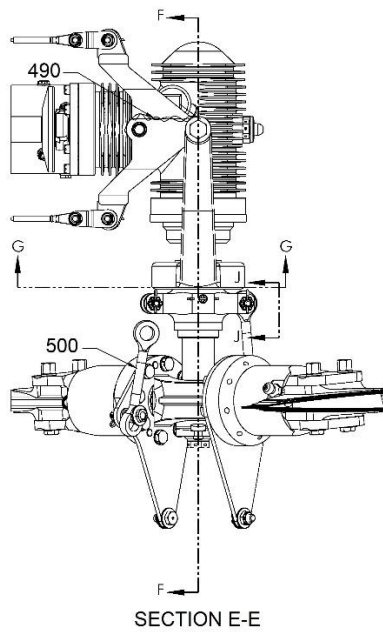
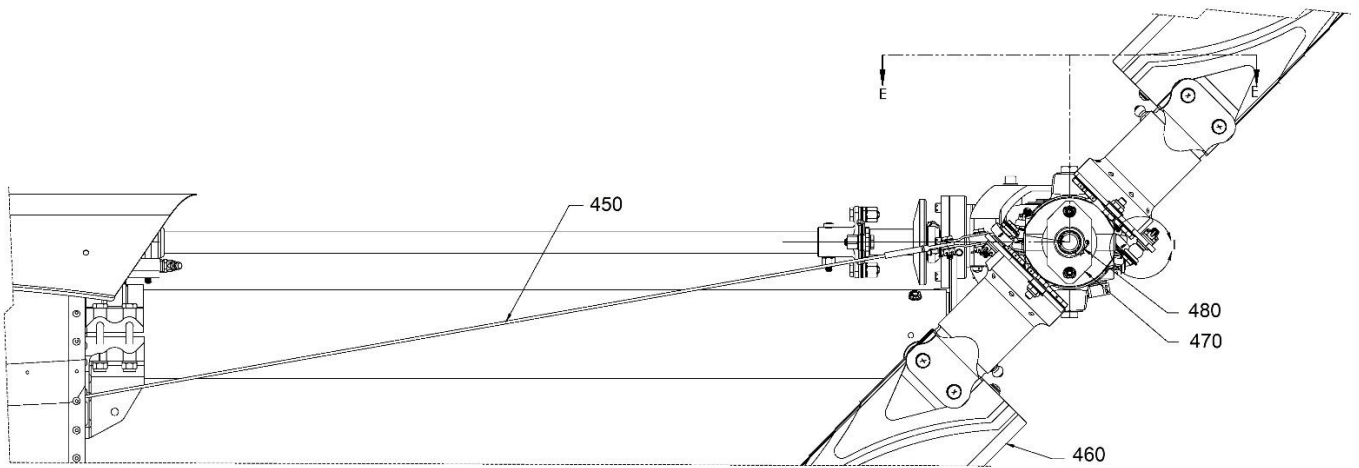
ENSTROM F-28/280 SERIES ILLUSTRATED PARTS CATALOG



Sheet 2 of 6

FIGURE 12-5. TAIL ROTOR BLADE CONTROL INSTALLATION

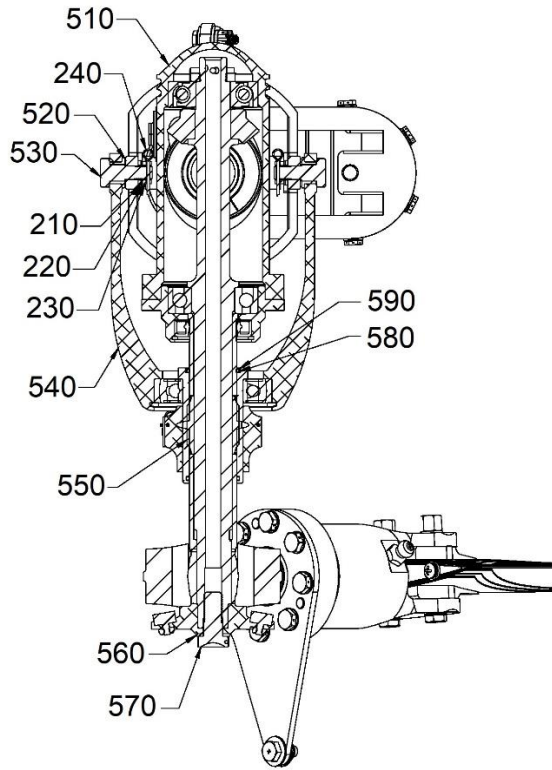
ENSTROM F-28/280 SERIES ILLUSTRATED PARTS CATALOG



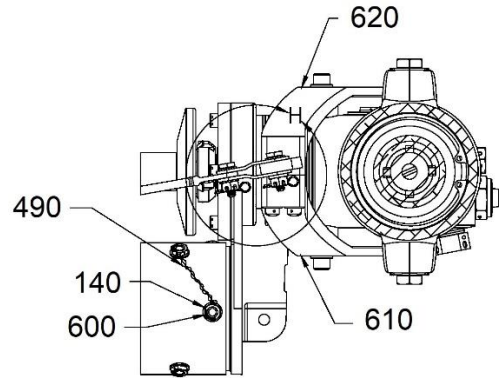
Sheet 3 of 6

FIGURE 12-5. TAIL ROTOR BLADE CONTROL INSTALLATION

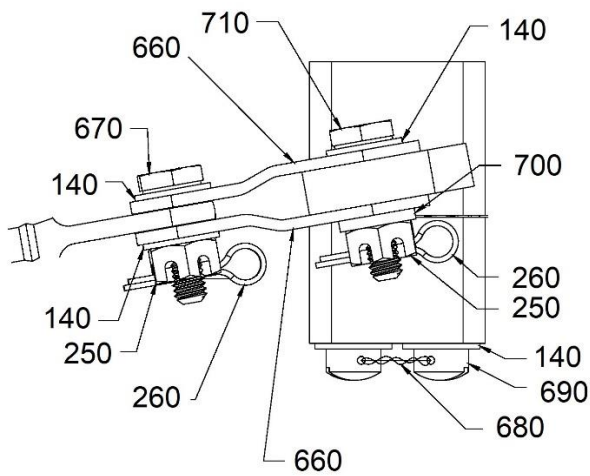
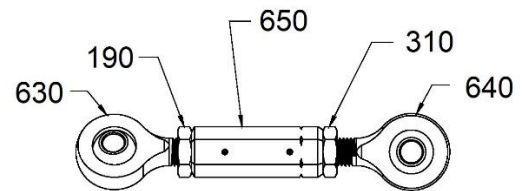
ENSTROM F-28/280 SERIES ILLUSTRATED PARTS CATALOG



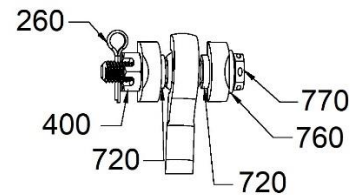
SECTION F-F



SECTION G-G



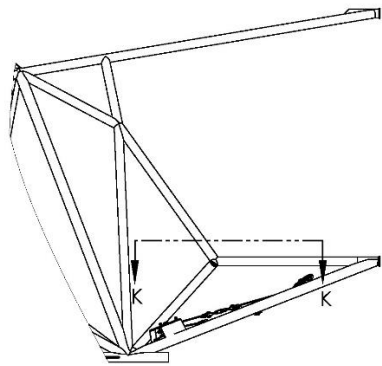
VIEW H



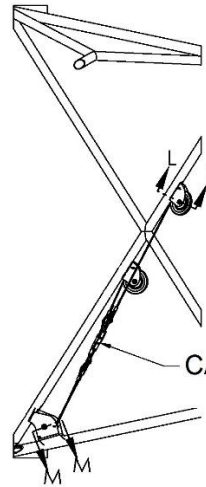
SECTION J-J

FIGURE 12-5. TAIL ROTOR BLADE CONTROL INSTALLATION

ENSTROM F-28/280 SERIES ILLUSTRATED PARTS CATALOG

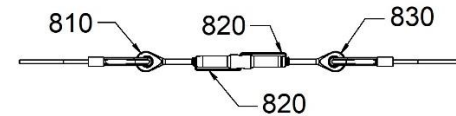
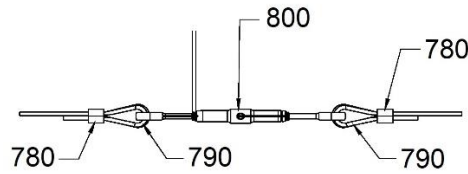


PYLON CONTROL ASSEMBLY

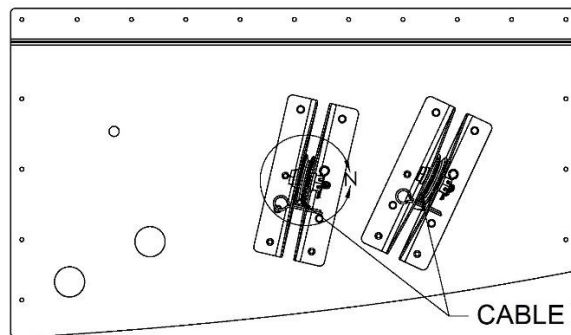


CABLE CONNECTION

SECTION K-K



CABLE CONNECTION (2 PLACES)



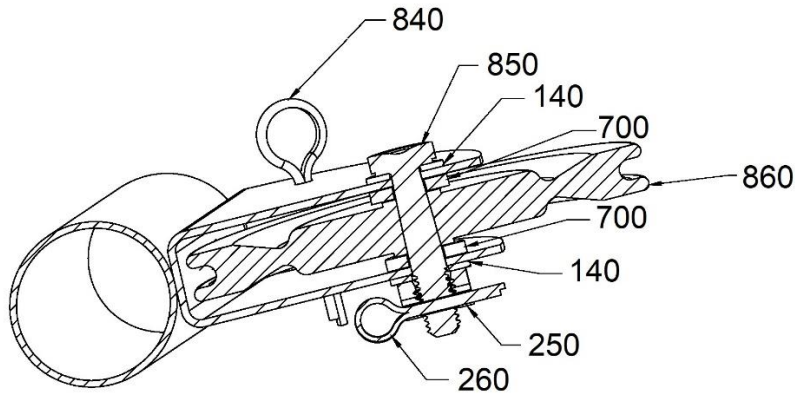
CABLE LOCATIONS

VIEW SHOWING PULLEYS IN SEAT STRUCTURE

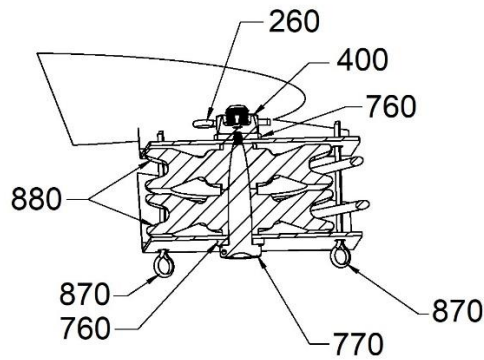
FIGURE 12-5. TAIL ROTOR BLADE CONTROL INSTALLATION

UNCONTROLLED COPY WHEN DOWNLOADED OR PRINTED

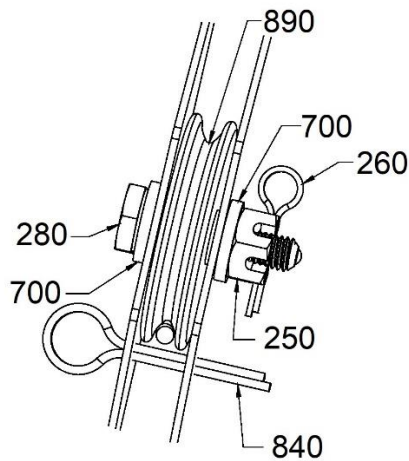
ENSTROM F-28/280 SERIES ILLUSTRATED PARTS CATALOG



SECTION L-L



SECTION M-M



VIEW N

Sheet 6 of 6

FIGURE 12-5. TAIL ROTOR BLADE CONTROL INSTALLATION

ENSTROM F-28/280 SERIES ILLUSTRATED PARTS CATALOG

FIGURE 12-5. TAIL ROTOR BLADE CONTROL INSTALLATION

| ITEM NUMBER | PART NUMBER | DESCRIPTION | QTY PER ASSY | MODELS AFFECTED | | | | | | |
|-------------|---------------|--|--------------|-----------------|-----|-------|------|-------|------|-------|
| | | | | F-28A | 280 | F-28C | 280C | F-28F | 280F | 280FX |
| – | 28-16398-103 | Tail Rotor Blade Control Installation | REF | X | X | X | X | X | X | X |
| 10 | 28-16338-1 | . Bellcrank Assembly | 1 | X | X | X | X | X | X | X |
| – | 28-16153-1 | .. Spacer | 2 | X | X | X | X | X | X | X |
| – | 28-16156-1 | .. Bushing | 4 | X | X | X | X | X | X | X |
| – | 28-16338-3 | .. Bellcrank | 2 | X | X | X | X | X | X | X |
| – | 28-16338-5 | .. Stop Block | 2 | X | X | X | X | X | X | X |
| – | MS20470AD4-11 | .. Rivet | 12 | X | X | X | X | X | X | X |
| 20 | 28-16338-2 | . Bellcrank Assembly | 1 | X | X | X | X | X | X | X |
| – | 28-16153-1 | .. Spacer | 1 | X | X | X | X | X | X | X |
| – | 28-16156-1 | .. Bushing | 2 | X | X | X | X | X | X | X |
| – | 28-16338-5 | .. Stop Block | 2 | X | X | X | X | X | X | X |
| – | 28-16338-7 | .. Bellcrank | 2 | X | X | X | X | X | X | X |
| – | MS20470AD4-11 | .. Rivet | 12 | X | X | X | X | X | X | X |
| 25 | 4150008-5 | . Cable Assembly | 2 | X | X | X | X | X | X | X |
| 30 | 28-16339-1 | . Tie Rod Assembly | 1 | X | X | X | X | X | X | X |
| – | 28-16339-3 | .. Bushing Oilite | | X | X | X | X | X | X | X |
| – | 28-16339-4 | .. Flat End Fitting | | X | X | X | X | X | X | X |
| – | 28-16339-5 | .. Tube | | X | X | X | X | X | X | X |
| – | 28-16339-6 | .. Filler Plug | | X | X | X | X | X | X | X |
| – | 28-16339-7 | .. Forked End Fitting | | X | X | X | X | X | X | X |
| – | MS20470AD4-19 | .. Rivet | | X | X | X | X | X | X | X |
| 40*◆ | 28-16334-1 | . Tail Rotor Control Pedal Assembly | 2 | X | X | X | X | X | X | X |
| –40A** | 28-16334-5 | . Tail Rotor Control Pedal Assembly (Removable) | A/R | X | X | X | X | X | X | X |
| –40B†▼ | 28-16334-7 | . Tail Rotor Control Pedal Assembly | A/R | X | X | X | X | X | X | X |
| –40C△ | 28-16334-9 | . Tail Rotor Control Pedal Assembly (Removable) | A/R | X | X | X | X | X | X | X |
| 50 | 28-16322-7 | .. Foot Support Assembly (Used with 28-16334-1 and 28-16334-5) | 2 | X | X | X | X | X | X | X |

ENSTROM F-28/280 SERIES ILLUSTRATED PARTS CATALOG

FIGURE 12-5. TAIL ROTOR BLADE CONTROL INSTALLATION

| ITEM NUMBER | PART NUMBER | DESCRIPTION | QTY PER ASSY | MODELS AFFECTED | | | | | | |
|------------------|---------------|---|--------------|-----------------|-----|-------|------|-------|------|-------|
| | | | | F-28A | 280 | F-28C | 280C | F-28F | 280F | 280FX |
| 50 | 28-16322-1 | . . Foot Support Assembly (Replaced by 28-16322-7) | 2 | X | X | X | X | X | X | X |
| -50A | 28-16322-9 | . . Foot Support Assembly (Used with 28-16334-7 and 28-16334-9) | 2 | X | X | X | X | X | X | X |
| 60 | 28-16321-1 | . . Pedal Leg Assembly (Used with 28-16334-1) | 2 | X | X | X | X | X | X | X |
| -60A | 28-16321-101 | . . Pedal Leg (Removable) (Used with 28-16334-5) | 2 | X | X | X | X | X | X | X |
| -60B | 28-16321-103 | . . Pedal Leg (Removable) (Used with 28-16334-9) | 2 | X | X | X | X | X | X | X |
| -60C | 28-16321-105 | . . Pedal Leg Assembly (Used with 28-16334-7) | 2 | X | X | X | X | X | X | X |
| 70 | 28-16334-3 | . . Shaft | 1 | X | X | X | X | X | X | X |
| 80 | MS24665-304 | . . Cotter Pin | 2 | X | X | X | X | X | X | X |
| 90 | 28-16355-1 | . . Support Bushing Assembly | 2 | X | X | X | X | X | X | X |
| 100 | 28-16341-1 | . . Spacer | 2 | X | X | X | X | X | X | X |
| 110 | AN416-1 | . . Pin - Retaining Safety | 2 | X | X | X | X | X | X | X |
| 120 | MS20392-3C25 | . . Clevis Pin | 2 | X | X | X | X | X | X | X |
| 130 | 28-11392-1 | . Shield | 4 | X | X | X | X | X | X | X |
| - | #1357 | . Adhesive | A/R | X | X | X | X | X | X | X |
| 140 | NAS1149F0332P | . Washer | 48 | X | X | X | X | X | X | X |
| 150 | MS21083N3 | . Nut | 12 | X | X | X | X | X | X | X |
| 160 | NAS6603-17 | . Bolt | 4 | X | X | X | X | X | X | X |
| 170 | NAS6603-2 | . Bolt | 8 | X | X | X | X | X | X | X |
| 180 [∞] | HMLVV5M | . Rod End | 4 | X | X | X | X | X | X | X |
| 190 | AN316-5L | . Nut | 4 | X | X | X | X | X | X | X |
| - | VC-3 | . Thread Locker | A/R | X | X | X | X | X | X | X |
| 200 | 28-16154-1 | . Push-Pull Rod | 4 | X | X | X | X | X | X | X |
| 210 | NAS1149F0563P | . Washer | 10 | X | X | X | X | X | X | X |
| 220 | NAS1149F0532P | . Washer | 14 | X | X | X | X | X | X | X |
| 230 | MS17826-5 | . Nut | 10 | X | X | X | X | X | X | X |
| 240 | MS24665-153 | . Cotter Pin | 10 | X | X | X | X | X | X | X |

ENSTROM F-28/280 SERIES ILLUSTRATED PARTS CATALOG

FIGURE 12-5. TAIL ROTOR BLADE CONTROL INSTALLATION

| ITEM NUMBER | PART NUMBER | DESCRIPTION | QTY PER ASSY | MODELS AFFECTED | | | | | | |
|-------------|---------------|---------------------------|--------------|-----------------|-----|-------|------|-------|------|-------|
| | | | | F-28A | 280 | F-28C | 280C | F-28F | 280F | 280FX |
| 250 | MS17825-3 | . Nut | 10 | X | X | X | X | X | X | X |
| 260 | MS24665-151 | . Cotter Pin | 17 | X | X | X | X | X | X | X |
| 270 | 28-16349-1 | . Spacer | 4 | X | X | X | X | X | X | X |
| 280 | NAS6603D8 | . Bolt | 4 | X | X | X | X | X | X | X |
| 290 | NAS6205-8D | . Bolt | 4 | X | X | X | X | X | X | X |
| 300 | HMVV5M | . Rod End | 4 | X | X | X | X | X | X | X |
| 310 | AN316-5R | . Nut | 4 | X | X | X | X | X | X | X |
| 320 | NAS6605D9 | . Bolt | 4 | X | X | X | X | X | X | X |
| 330 | 28-16157-3 | . Spacer | 3 | X | X | X | X | X | X | X |
| 340 | MS24665-377 | . Cotter Pin | 2 | X | X | X | X | X | X | X |
| 350 | NAS6604-25 | . Bolt | 2 | X | X | X | X | X | X | X |
| 360 | NAS1149F0432P | . Washer | 8 | X | X | X | X | X | X | X |
| 370 | 28-16342-1 | . Spacer | 4 | X | X | X | X | X | X | X |
| 380 | ECD050-11 | . Washer | 8 | X | X | X | X | X | X | X |
| 390 | NAS6604D7 | . Bolt | 1 | X | X | X | X | X | X | X |
| 400 | MS17825-4 | . Nut | 7 | X | X | X | X | X | X | X |
| 410 | 28-16348-1 | . Spacer | 1 | X | X | X | X | X | X | X |
| 420 | MS21083N4 | . Nut | 2 | X | X | X | X | X | X | X |
| 430 | 28-16340-1 | . Spacer | 2 | X | X | X | X | X | X | X |
| 440 | NAS6604D19 | . Bolt | 1 | X | X | X | X | X | X | X |
| 450 | 28-16351-1 | . Cable Eye Assembly | 2 | X | X | X | X | X | X | X |
| - | MS20668-3 | . . Eye End | 1 | X | X | X | X | X | X | X |
| 460 | 28-150079-5 | . Rotor Assembly | 1 | X | X | X | X | X | X | X |
| 470 | 28-15030-1 | . Teetering Stop Assembly | 1 | X | X | X | X | X | X | X |
| - | MS21083N06 | . . Nut | 2 | X | X | X | X | X | X | X |
| - | 28-15028-1 | . . Mount Plate | 1 | X | X | X | X | X | X | X |
| - | 16-1 | . . Bumper | 2 | X | X | X | X | X | X | X |
| 480 | MS20995-C41 | . Safety Wire | A/R | X | X | X | X | X | X | X |
| 490 | MS20995-C32 | . Safety Wire | A/R | X | X | X | X | X | X | X |
| 500 | 28-16391-5 | . Pitch Link Assembly | 2 | X | X | X | X | X | X | X |

ENSTROM F-28/280 SERIES ILLUSTRATED PARTS CATALOG

FIGURE 12-5. TAIL ROTOR BLADE CONTROL INSTALLATION

| ITEM NUMBER | PART NUMBER | DESCRIPTION | QTY PER ASSY | MODELS AFFECTED | | | | | | |
|-------------|---------------|---------------------------------|--------------|-----------------|-----|-------|------|-------|------|-------|
| | | | | F-28A | 280 | F-28C | 280C | F-28F | 280F | 280FX |
| - | ECD030-11 | . . Bearing | 2 | X | X | X | X | X | X | X |
| - | 28-16391-13 | . . Pitch Link | 1 | X | X | X | X | X | X | X |
| 510 | 28-13525-7 | . Tail Rotor Gearbox Assembly | 1 | X | X | X | X | X | X | X |
| 520 | 28-16308-1 | . Washer | 2 | X | X | X | X | X | X | X |
| 530 | 28-16310-2 | . Bolt | 2 | X | X | X | X | X | X | X |
| 540 | 28-16396-2 | . Bearing and Retainer Assembly | 1 | X | X | X | X | X | X | X |
| - | W1819-020 | . . Wave Spring Washer | 2 | X | X | X | X | X | X | X |
| - | TS-023 | . . Seal | 1 | X | X | X | X | X | X | X |
| - | MS24665-155 | . . Cotter Pin | 2 | X | X | X | X | X | X | X |
| - | 5002-268-PP | . . Retaining Ring | 1 | X | X | X | X | X | X | X |
| - | ECD016-11 | . . Bearing | 1 | X | X | X | X | X | X | X |
| - | 28-16392-13 | . . Retainer Pitch Link | 1 | X | X | X | X | X | X | X |
| - | 28-16397-11 | . . Pin | 2 | X | X | X | X | X | X | X |
| - | 28-16394-11 | . . Bearing | 1 | X | X | X | X | X | X | X |
| - | 28-16331-1 | . . Bearing Housing | 1 | X | X | X | X | X | X | X |
| 550 | 28-16395-1 | . Key | 4 | X | X | X | X | X | X | X |
| 560 | NAS1149F0763P | . Washer | 1 | X | X | X | X | X | X | X |
| 570 | NAS6607H5 | . Bolt | 1 | X | X | X | X | X | X | X |
| 580 | TS-023 | . Seal | 1 | X | X | X | X | X | X | X |
| 590 | 28-16374-1 | . Retainer | 1 | X | X | X | X | X | X | X |
| 600 | NAS6603H1 | . Bolt | 6 | X | X | X | X | X | X | X |
| 610 | 28-16314-1 | . Control Bracket | 1 | X | X | X | X | X | X | X |
| 620 | 28-16313-1 | . Control Bracket | 1 | X | X | X | X | X | X | X |
| 630 | ECD030-11 | . Rod End Bearing | 1 | X | X | X | X | X | X | X |
| 640 | 01-691-04 | . Rod End Bearing | 1 | X | X | X | X | X | X | X |
| 650 | 28-16345-1 | . Barrel | 1 | X | X | X | X | X | X | X |
| 660 | 28-16352-1 | . Control Link | 4 | X | X | X | X | X | X | X |
| 670 | NAS6603D5 | . Bolt | 2 | X | X | X | X | X | X | X |
| 680 | MS20995-C25 | . Safety Wire | A/R | X | X | X | X | X | X | X |

ENSTROM F-28/280 SERIES ILLUSTRATED PARTS CATALOG

FIGURE 12-5. TAIL ROTOR BLADE CONTROL INSTALLATION

| ITEM NUMBER | PART NUMBER | DESCRIPTION | QTY PER ASSY | MODELS AFFECTED | | | | | | |
|-------------|---------------|-------------------------------------|--------------|-----------------|-----|-------|------|-------|------|-------|
| | | | | F-28A | 280 | F-28C | 280C | F-28F | 280F | 280FX |
| 690 | AN503-10-18 | . Screw | 4 | X | X | X | X | X | X | X |
| 700 | NAS1149F0363P | . Washer | 10 | X | X | X | X | X | X | X |
| 710 | NAS6603D7 | . Bolt | 2 | X | X | X | X | X | X | X |
| 720 | 28-16353-5 | . Spacer | 8 | X | X | X | X | X | X | X |
| 730 | NAS6604D15 | . Bolt | 2 | X | X | X | X | X | X | X |
| 740 | MS28775-111 | . O-Ring | 2 | X | X | X | X | X | X | X |
| 750 | NAS1149C0463R | . Washer | 6 | X | X | X | X | X | X | X |
| 760 | NAS1149F0463P | . Washer | 4 | X | X | X | X | X | X | X |
| 770 | NAS6604D17 | . Bolt | 3 | X | X | X | X | X | X | X |
| 780● | 428-3-VG | . Sleeve | 4 | X | X | X | X | X | X | X |
| 780 | 18-2-G | . Sleeve (Replaced by 428-3-VG) | 4 | X | X | X | X | X | X | X |
| 790 | AN100C-4 | . Thimble | 4 | X | X | X | X | X | X | X |
| 800▲ | MS21251-B3S | . Barrel | 2 | X | X | X | X | X | X | X |
| 810 | MS21255-3LS | . Eye End | 2 | X | X | X | X | X | X | X |
| 820 | MS21256-1 | . Clip | 4 | X | X | X | X | X | X | X |
| 830 | MS21255-3RS | . Eye End | 2 | X | X | X | X | X | X | X |
| 840 | MS24665-300 | . Cotter Pin | 4 | X | X | X | X | X | X | X |
| 850 | NAS6603D9 | . Bolt | 2 | X | X | X | X | X | X | X |
| 860 | MS24566-2B | . Pulley | 2 | X | X | X | X | X | X | X |
| 870 | AN210-2B | . Pulley (Superseded by MS24566-2B) | 2 | X | X | X | X | X | X | X |
| 870 | MS24665-157 | . Cotter Pin | 2 | X | X | X | X | X | X | X |
| 880 | MS24566-3B | . Pulley | 2 | X | X | X | X | X | X | X |
| 880 | AN210-3B | . Pulley (Superseded by MS24566-3B) | 2 | X | X | X | X | X | X | X |
| 890 | MS24566-1B | . Pulley | 2 | X | X | X | X | X | X | X |
| 890 | AN210-1B | . Pulley (Superseded by MS24566-1B) | 2 | X | X | X | X | X | X | X |

* Preferred optional chrome installation on the pilot side.

◆ Acceptable alternate optional chrome installation on the co-pilot side per customer build order.

ENSTROM F-28/280 SERIES ILLUSTRATED PARTS CATALOG

- █ ** Preferred optional chrome installation on the co-pilot side.
- █ † Painted flat black preferred installation on the pilot side.
- █ ▼ Acceptable alternate on the co-pilot per customer build order.
- █ Δ Painted flat black preferred installation on the co-pilot side.
- █ ∞ ARTL5E rod end is an acceptable alternate.
- █ ● MS51844-83 sleeve is an acceptable alternate.
- █ ▲ MS21251-B3L barrel may be substituted for MS21251-B3S.

ENSTROM F-28/280 SERIES ILLUSTRATED PARTS CATALOG

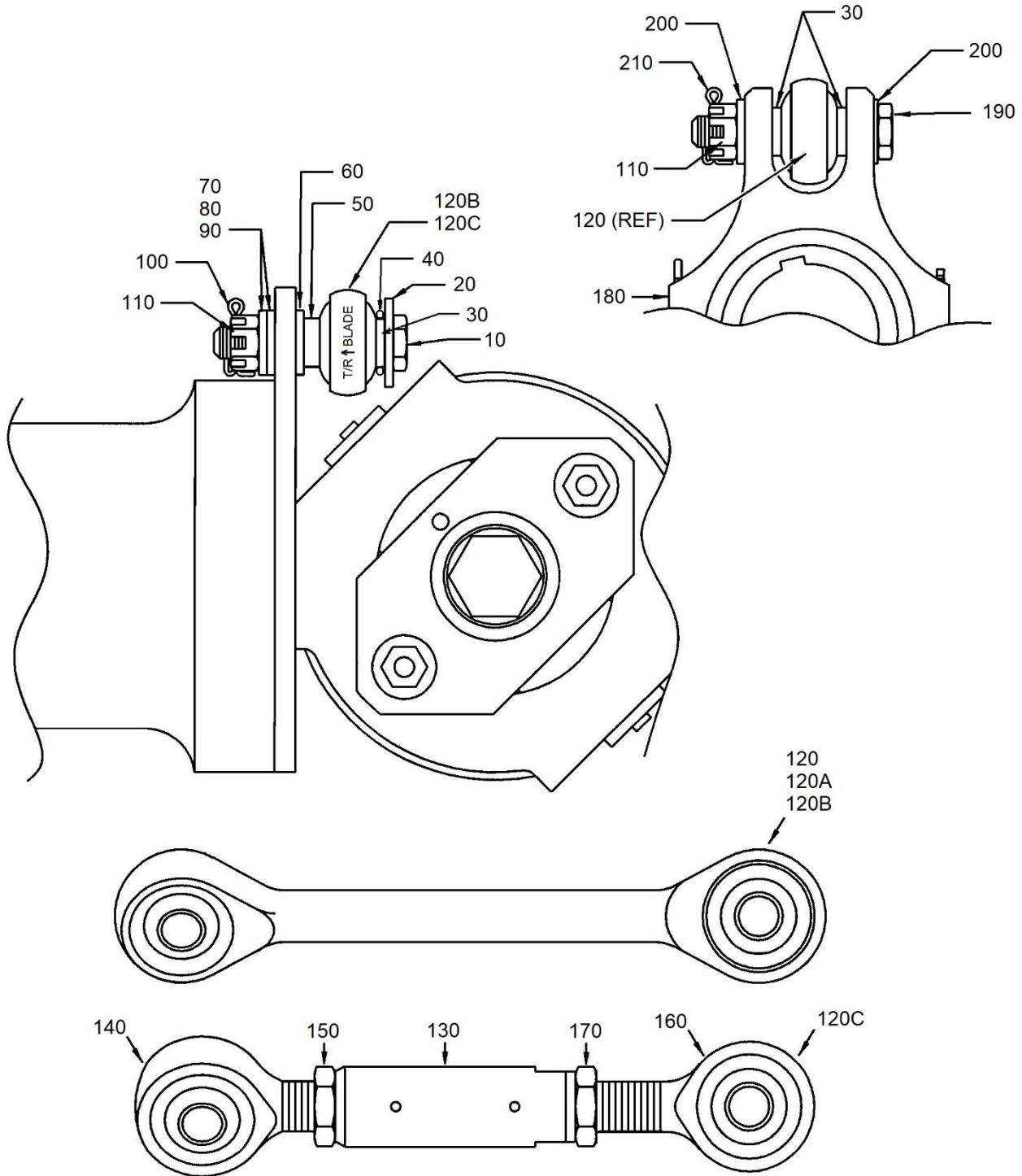


FIGURE 12-6. TAIL ROTOR PITCH LINK ASSEMBLY

ENSTROM F-28/280 SERIES ILLUSTRATED PARTS CATALOG

FIGURE 12-6. TAIL ROTOR PITCH LINK ASSEMBLY

| ITEM NUMBER | PART NUMBER | DESCRIPTION | QTY PER ASSY | MODELS AFFECTED | | | | | | |
|-------------|---------------|--|--------------|-----------------|-----|-------|------|-------|------|-------|
| | | | | F-28A | 280 | F-28C | 280C | F-28F | 280F | 280FX |
| -5 | 28-16398 | Tail Rotor Gear Box with Controls | REF | X | X | X | X | X | X | X |
| 10 | NAS6604D15 | . Bolt | 2 | ** | ** | X | X | X | X | X |
| 10 | AN4-13 | . Bolt (Superseded by NAS6604D15) | 2 | ** | ** | X | X | X | X | X |
| 20 | ECD050-11 | . Washer | 2 | ** | ** | X | X | X | X | X |
| 30 | 28-16353-5 | . Spacer | 6 | ** | ** | X | X | X | X | X |
| 40 | MS28775-111 | . O-Ring | 2 | ** | ** | X | X | X | X | X |
| 50 | 28-16353-3 | . Spacer | 2 | ** | ** | X | X | X | X | X |
| 60 | NAS1149C0463R | . Washer | 2 | ** | ** | X | X | X | X | X |
| 60 | AN960-416 | . Washer (Do not use; Replaced by NAS1149C0463R) | 2 | ** | ** | X | X | X | X | X |
| 70* | NAS1149C0463R | . Washer | A/R | ** | ** | X | X | X | X | X |
| 70 | AN960-416 | . Washer (Do not use; Replaced by NAS1149C0463R) | A/R | ** | ** | X | X | X | X | X |
| 80* | NAS1149C0432R | . Washer | A/R | ** | ** | X | X | X | X | X |
| 90* | ECD050-11 | . Washer | A/R | ** | ** | X | X | X | X | X |
| 90* | 1/4 Harper | . Washer (Superseded by ECD050-11) | A/R | ** | ** | X | X | X | X | X |
| 100 | MS24665-1013 | . Cotter Pin | 2 | ** | ** | X | X | X | X | X |
| 100 | AN381-2-8 | . Cotter Pin (Superseded by MS24665-1013) | 2 | ** | ** | X | X | X | X | X |
| 110 | MS17825-4 | . Nut | 4 | ** | ** | X | X | X | X | X |
| 110 | F12NE4753-048 | . Nut (Superseded by MS17825-4) | 4 | ** | ** | X | X | X | X | X |
| 120‡ | 28-16391-5 | . Tail Rotor Pitch Link Assembly (Preferred) | 2 | ** | ** | X | X | X | X | X |
| 120A | 28-16391-3 | . Tail Rotor Pitch Link Assembly (Inactive) | 2 | ** | ** | X | X | X | X | X |
| 120B | 28-16391-1 | . Tail Rotor Pitch Link Assembly (Inactive) | 2 | ** | ** | X | X | X | X | X |
| 120C | 28-16398-901 | . Tail Rotor Pitch Link Assembly (Alternate) | 2 | X | X | X | X | X | X | X |

ENSTROM F-28/280 SERIES ILLUSTRATED PARTS CATALOG

FIGURE 12-6. TAIL ROTOR PITCH LINK ASSEMBLY

| ITEM NUMBER | PART NUMBER | DESCRIPTION | QTY PER ASSY | MODELS AFFECTED | | | | | | |
|-------------|---------------|--|--------------|-----------------|-----|-------|------|-------|------|-------|
| | | | | F-28A | 280 | F-28C | 280C | F-28F | 280F | 280FX |
| 130 | 28-16345-1 | . . Barrel | 1 | X | X | X | X | X | X | X |
| 140 | 11-691-04 | . . Rod End | 1 | X | X | X | X | X | X | X |
| 150 | AN316-5L | . . Nut | 1 | X | X | X | X | X | X | X |
| 160 | 01-691-04 | . . Rod End | 1 | X | X | X | X | X | X | X |
| 170 | AN316-5R | . . Nut | 1 | X | X | X | X | X | X | X |
| 180 | 28-16392-13 | . Pitch Change Retainer | 1 | X | X | X | X | X | X | X |
| 190 | NAS6604D17 | . Bolt | 2 | X | X | X | X | X | X | X |
| 190 | AN4-14 | . Bolt (Superseded by NAS6604D17) | 2 | X | X | X | X | X | X | X |
| 200 | NAS1149F0463P | . Washer | 4 | X | X | X | X | X | X | X |
| 210 | MS24665-151 | . Cotter Pin | 2 | X | X | X | X | X | X | X |
| 210 | AN381-2-8 | . Cotter Pin (Superseded by MS24665-151) | 2 | X | X | X | X | X | X | X |

* As required for balance.

** Eligible on F-28A and 280 models if updated to left side tail rotor system in accordance with SIL 0159.

‡ Effectivity F-28F S/N 831 and subsequent and 280FX 2142 and subsequent. Retrofittable to F-28 series S/N 509 and subsequent and 280 series 2001 and subsequent.

ENSTROM F-28/280 SERIES ILLUSTRATED PARTS CATALOG

I

INTENTIONALLY LEFT BLANK

ENSTROM F-28/280 SERIES ILLUSTRATED PARTS CATALOG

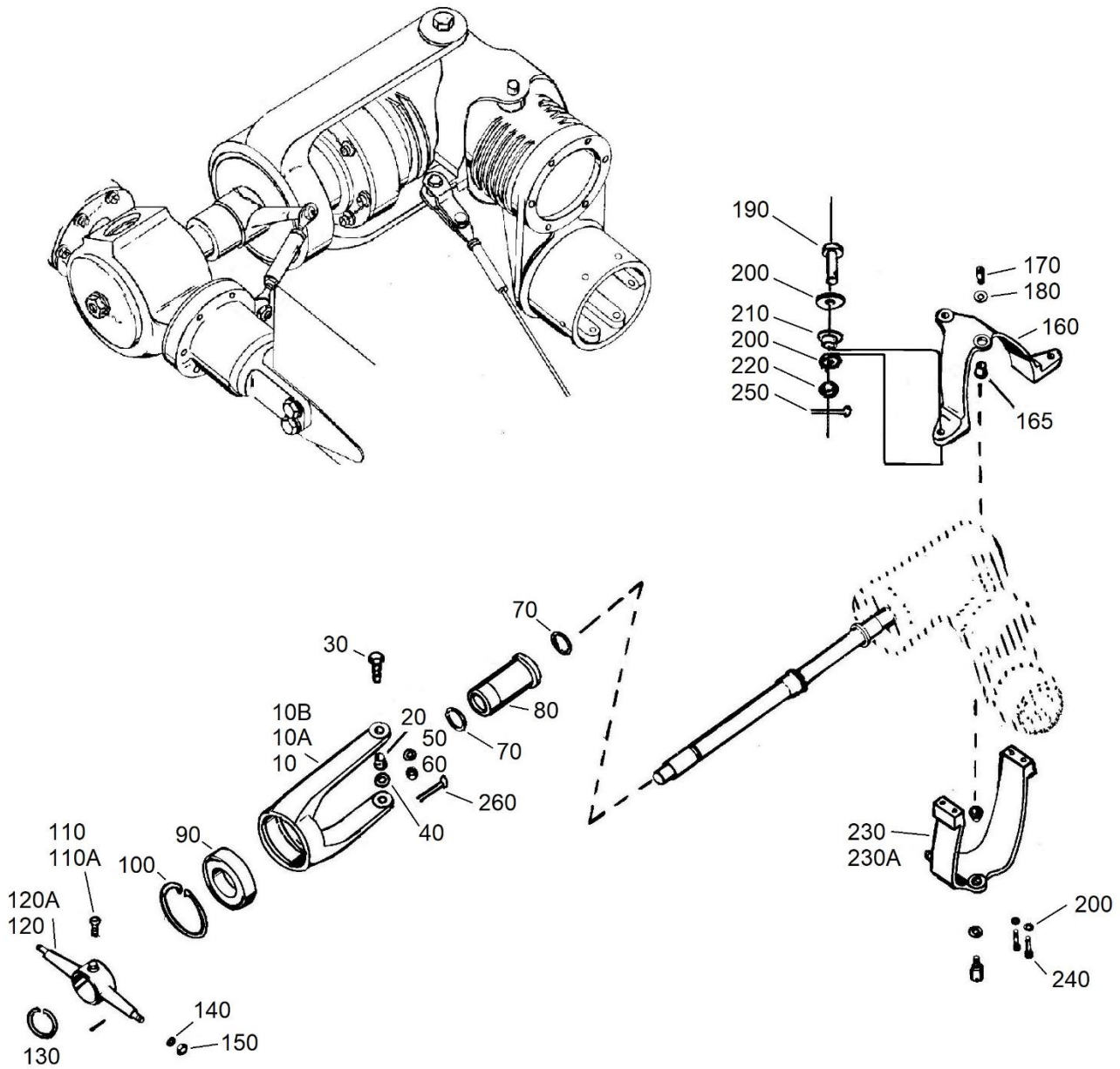


FIGURE 12-7. TAIL ROTOR MECHANICAL CONTROLS (RIGHT HAND GEARBOX)

ENSTROM F-28/280 SERIES ILLUSTRATED PARTS CATALOG

FIGURE 12-7. TAIL ROTOR MECHANICAL CONTROLS (RIGHT HAND GEARBOX)

| ITEM NUMBER | PART NUMBER | DESCRIPTION | QTY PER ASSY | MODELS AFFECTED | | | | | | |
|-------------|----------------|---|--------------|-----------------|-----|-------|------|-------|------|-------|
| | | | | F-28A | 280 | F-28C | 280C | F-28F | 280F | 280FX |
| -5 | 28-16300 | Tail Rotor Gearbox, Blades, and Controls Installation | REF | X | X | | | | | |
| 10 | 28-16301-4 | . Bearing Housing Assembly | 1 | X | X | | | | | |
| 10A* | 28-16301-7 | . Bearing Housing Assembly | 1 | X | X | | | | | |
| 10B | 28-16331-1 | . Bearing Housing Assembly | 1 | X | X | | | | | |
| 20 | 28-16311-1 | . . Bushing | 2 | X | X | | | | | |
| 30 | 28-16310-2 | . Bolt | 2 | X | X | | | | | |
| 40 | 28-16308-1 | . Washer | 2 | X | X | | | | | |
| 50 | NAS1149F0532P | . Washer | 2 | X | X | | | | | |
| 50 | AN960-516L | . Washer (Alternate) | 2 | X | X | | | | | |
| -55 | NAS1149F0563P | . Washer | 2 | X | X | | | | | |
| -55 | AN960-516 | . Washer (Alternate) | 2 | X | X | | | | | |
| 60 | MS17825-5 | . Nut | 2 | X | X | | | | | |
| 60 | F12NE-4753-054 | . Nut (Superseded by MS17825-5) | 2 | X | X | | | | | |
| 70 | TS-023 | . Seal | 2 | X | X | | | | | |
| 80 | 28-16302-1 | . Bearing-Control, Pitch | 1 | X | X | | | | | |
| 90 | ECD016-11 | . Bearing | 1 | X | X | | | | | |
| 100 | N5000-268-PP | . Snap Ring | 1 | X | X | | | | | |
| 110 | 28-16307-1 | . Bolt | 2 | X | X | | | | | |
| 110A* | 28-16324 | . Bolt | 2 | X | X | | | | | |
| 120 | 28-16320-1 | . Retainer - Pitch Link | 1 | X | X | | | | | |
| 120A* | 28-16325-2 | . Retainer - Pitch Link | 1 | X | X | | | | | |
| 130 | 5102-137-PP | . Snap Ring | 1 | X | X | | | | | |
| 140 | ECD050-11 | . Washer | 2 | X | X | | | | | |
| 140 | 1/4 Harper | . Washer (1/4 ID x 11/16 OD x .050) (Superseded by ECD050-11) | 2 | X | X | | | | | |

ENSTROM F-28/280 SERIES ILLUSTRATED PARTS CATALOG

FIGURE 12-7. TAIL ROTOR MECHANICAL CONTROLS (RIGHT HAND GEARBOX)

| ITEM NUMBER | PART NUMBER | DESCRIPTION | QTY PER ASSY | MODELS AFFECTED | | | | | | |
|-------------|----------------|--|--------------|-----------------|-----|-------|------|-------|------|-------|
| | | | | F-28A | 280 | F-28C | 280C | F-28F | 280F | 280FX |
| 150 | MS17825-4 | . Nut | 2 | X | X | | | | | |
| 150 | F12NE-4753-048 | . Nut (Superseded by MS17825-4) | 2 | X | X | | | | | |
| 160**▲ | 28-16313-1 | . Bracket | 1 | X | X | | | | | |
| 160A**† | 28-16317-1R | . Bracket | 1 | X | X | | | | | |
| 165 | 28-16311-1 | . . Bushing | 2 | X | X | | | | | |
| 170 | 28-16309-1 | . Bolt | 2 | X | X | | | | | |
| 180 | 28-16308-1 | . Washer | 2 | X | X | | | | | |
| 190 | NAS6603D6 | . Bolt | 2 | X | X | | | | | |
| 190 | AN3-6 | . Bolt (Superseded by NAS6603D6) | 2 | X | X | | | | | |
| 200 | NAS1149F0332P | . Washer | 8 | X | X | | | | | |
| 200 | AN960-10L | . Washer (Alternate) | 8 | X | X | | | | | |
| 210 | 28-16319-1 | . . Bushing (Used in Item 160) | 2 | X | X | | | | | |
| 220 | MS17825-3 | . Nut | 2 | X | X | | | | | |
| 220 | F12NE-4753-02 | . Nut (Superseded by MS17825-3) | 2 | X | X | | | | | |
| 230**▲ | 28-16314-1 | . Bracket | 1 | X | X | | | | | |
| 230A**† | 28-16315-1R | . Bracket | 1 | X | X | | | | | |
| 240 | AN503-10-8 | . Screw | 4 | X | X | | | | | |
| 250 | MS24665-151 | . Cotter Pin | 6 | X | X | | | | | |
| 250 | AN381-2-8 | . Cotter Pin (Superseded by MS24665-151) | 6 | X | X | | | | | |

– Not illustrated.

* Preferred components.

** 28-16315-1R and 28-16317-1R may be replaced on F28A, 280, and early “C” models with 28-16314-1 and 28-16313-1 (-110A and -120A are used together -110 and -120 are used together).

▲ Must be replaced/purchased as a matched set.

† Must be replaced/purchased as a matched set.

ENSTROM F-28/280 SERIES ILLUSTRATED PARTS CATALOG

I

INTENTIONALLY LEFT BLANK

ENSTROM F-28/280 SERIES ILLUSTRATED PARTS CATALOG

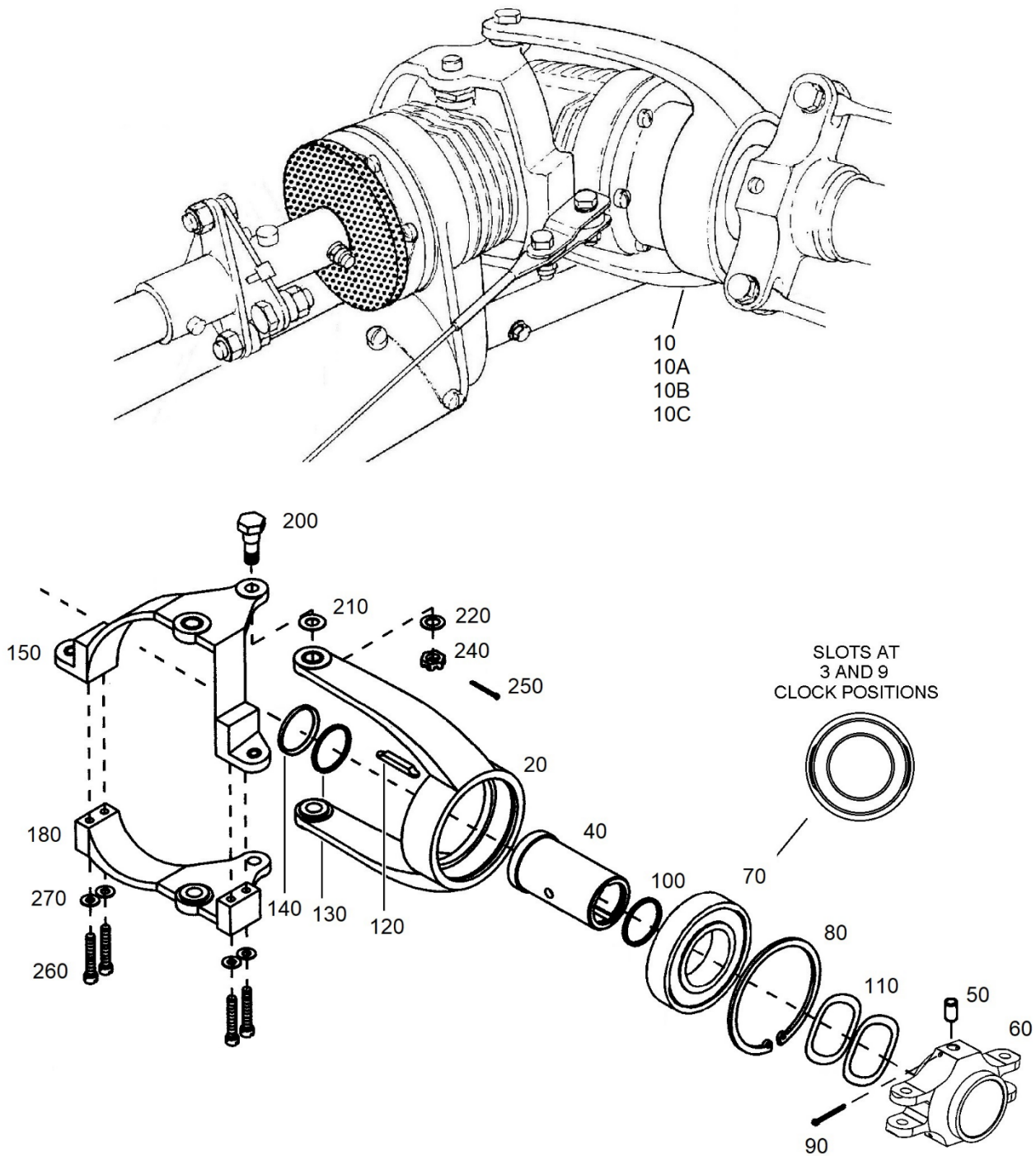


FIGURE 12-8. TAIL ROTOR MECHANICAL CONTROLS (LEFT HAND GEARBOX)

ENSTROM F-28/280 SERIES ILLUSTRATED PARTS CATALOG

FIGURE 12-8. TAIL ROTOR MECHANICAL CONTROLS (LEFT HAND GEARBOX)

| ITEM NUMBER | PART NUMBER | DESCRIPTION | QTY PER ASSY | MODELS AFFECTED | | | | | | |
|-------------|--------------|---|--------------|-----------------|-----|-------|------|-------|------|-------|
| | | | | F-28A | 280 | F-28C | 280C | F-28F | 280F | 280FX |
| -5 | 28-16398 | Tail Rotor Gearbox, Blades, and Controls Installation | REF | | | X | X | X | X | X |
| -5A | 28-16380 | Tail Rotor Gearbox, Blades, and Controls Installation | REF | X | X | X | X | | | |
| 10 | 28-16396-2 | . Bearing Housing and Pitch Link Retainer Assembly | 1 | X | X | X | X | X | X | X |
| 10A | 28-16301-3 | . Bearing Housing and Pitch Link Retainer Assembly | 1 | X | X | X | X | | | |
| 10B | 28-16301-4 | . Bearing Housing and Pitch Link Retainer Assembly | 1 | X | X | X | X | | | |
| 10C | 28-16301-7 | . Bearing Housing and Pitch Link Retainer Assembly | 1 | X | X | X | X | | | |
| 20 | 28-16331-1 | . . Bearing Housing Assembly | 1 | X | X | X | X | X | X | X |
| -30 | 28-16311-1 | . . . Bushing | 2 | X | X | X | X | X | X | X |
| 40 | 28-16394-2 | . . Bearing | 1 | X | X | X | X | X | X | X |
| 50 | 28-16397-11 | . . Pin | 2 | X | X | X | X | X | X | X |
| 60* | 28-16392-13 | . . Retainer, Pitch Link | 1 | * | * | X | X | X | X | X |
| 70 | ECD016-11 | . . Bearing | 1 | X | X | X | X | X | X | X |
| 80 | N5002-268-PP | . . Retaining Ring | 1 | X | X | X | X | X | X | X |
| 90 | MS24665-155 | . . Cotter Pin | 2 | X | X | X | X | X | X | X |
| 90 | AN381-2-16 | . . Cotter Pin (Superseded by MS24665-155) | 2 | X | X | X | X | X | X | X |
| 100 | TS-023 | . . Seal | 1 | X | X | X | X | X | X | X |
| 110 | W1819-020 | . . Wave Spring Washer | 2 | X | X | X | X | X | X | X |
| 120 | 28-16395-1 | . Key | 2 | X | X | X | X | X | X | X |
| 130 | TS-023 | . Seal | 1 | X | X | X | X | X | X | X |
| 140 | 28-16374-1 | . Seal Retainer | 1 | X | X | X | X | X | X | X |
| 150 | 28-16313-1 | . Control Bracket, Top | 1 | X | X | X | X | X | X | X |
| -160 | 28-16319-1 | . . Bushing | 2 | X | X | X | X | X | X | X |
| -170 | 28-16311-1 | . . Bushing | 1 | X | X | X | X | X | X | X |
| 180 | 28-16314-1 | . Control Bracket, Bottom | 1 | X | X | X | X | X | X | X |
| -190 | 28-16311-1 | . . Bushing | 1 | X | X | X | X | X | X | X |

ENSTROM F-28/280 SERIES ILLUSTRATED PARTS CATALOG

FIGURE 12-8. TAIL ROTOR MECHANICAL CONTROLS (LEFT HAND GEARBOX)

| ITEM NUMBER | PART NUMBER | DESCRIPTION | QTY PER ASSY | MODELS AFFECTED | | | | | | |
|-------------|----------------|--|--------------|-----------------|-----|-------|------|-------|------|-------|
| | | | | F-28A | 280 | F-28C | 280C | F-28F | 280F | 280FX |
| 200 | 28-16310-2 | . Bolt | 2 | X | X | X | X | X | X | X |
| 210 | 28-16308-1 | . Washer | 2 | X | X | X | X | X | X | X |
| 220 | NAS1149F0532P | . Washer | 2 | X | X | X | X | X | X | X |
| 220 | AN960-516L | . Washer (Alternate) | 2 | X | X | X | X | X | X | X |
| -230 | NAS1149F0563P | . Washer | 2 | X | X | X | X | X | X | X |
| -230 | AN960-516 | . Washer (Alternate) | 2 | X | X | X | X | X | X | X |
| 240 | MS17825-5 | . Nut | 2 | X | X | X | X | X | X | X |
| 240 | F12NE-4753-054 | . Nut (Superseded by MS17825-5) | 2 | X | X | X | X | X | X | X |
| 250 | MS24665-151 | . Cotter Pin | 2 | X | X | X | X | X | X | X |
| 250 | AN381-2-10 | . Cotter Pin (Superseded by MS24665-151) | 2 | X | X | X | X | X | X | X |
| 260 | AN503-10-18 | . Screw | 4 | X | X | X | X | X | X | X |
| 270 | NAS1149F0332P | . Washer | 4 | X | X | X | X | X | X | X |
| 270 | AN960-10L | . Washer (Alternate) | 4 | X | X | X | X | X | X | X |
| -280 | MS20995C20 | . Safety Wire | A/R | X | X | X | X | X | X | X |

– Not illustrated.

* Effective if converted to left side tail rotor installation in accordance with SIL 0159.

ENSTROM F-28/280 SERIES ILLUSTRATED PARTS CATALOG

I

INTENTIONALLY LEFT BLANK

ENSTROM F-28/280 SERIES ILLUSTRATED PARTS CATALOG

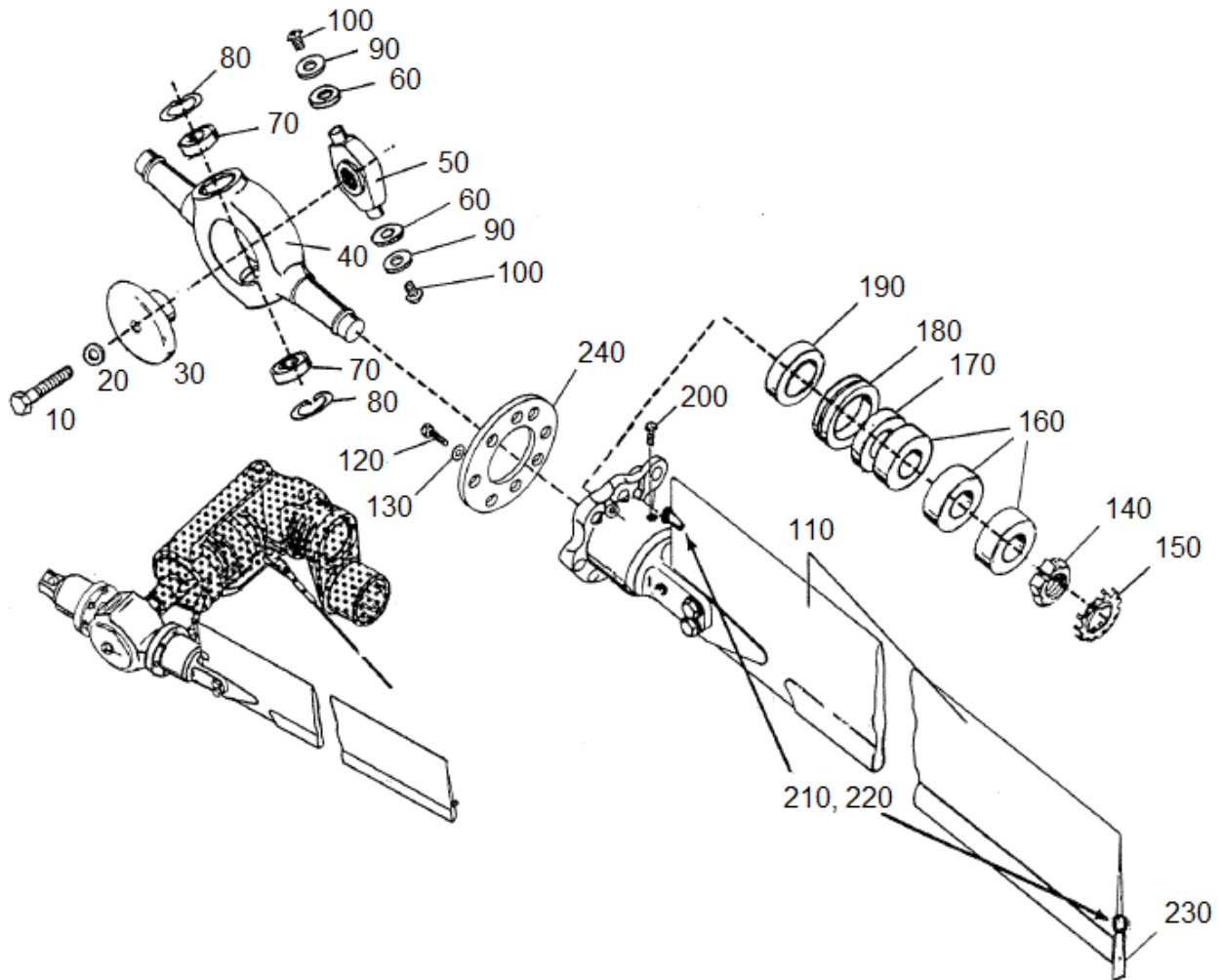


FIGURE 12-9. 28-15018-3 TAIL ROTOR ASSEMBLY

ENSTROM F-28/280 SERIES ILLUSTRATED PARTS CATALOG

FIGURE 12-9. 28-15018-3 TAIL ROTOR ASSEMBLY

| ITEM NUMBER | PART NUMBER | DESCRIPTION | QTY PER ASSY | MODELS AFFECTED | | | | | | |
|-------------|---------------|---|--------------|-----------------|-----|-------|------|-------|------|-------|
| | | | | F-28A | 280 | F-28C | 280C | F-28F | 280F | 280FX |
| - | 28-16300 | Tail Rotor Blades, Gearbox, & Controls Installation | REF | X | X | | | | | |
| 10 | NAS6607-5 | . Bolt | 1 | X | X | | | | | |
| 10 | AN7H-7A | . Bolt (Superseded by NAS6607-5) | 1 | X | X | | | | | |
| 20 | NAS1149F0763P | . Washer | 1 | X | X | | | | | |
| 20 | AN960-716 | . Washer (Alternate) | 1 | X | X | | | | | |
| 30 | 28-15002-1 | . Teeter Stop | 1 | X | X | | | | | |
| - | 28-15018-3 | . Tail Rotor Assembly | 1 | X | X | | | | | |
| 40 | 28-15202-13 | .. Spindle | 1 | X | X | | | | | |
| 50 | 28-15206-1 | .. Hub | 1 | X | X | | | | | |
| 60 | 28-15203-3 | .. Shim, .001" | A/R | X | X | | | | | |
| 60 | 28-15203-4 | .. Shim, .002" | A/R | X | X | | | | | |
| 60 | 28-15203-5 | .. Shim, .003" | A/R | X | X | | | | | |
| 60 | 28-15203-6 | .. Shim, .005" | A/R | X | X | | | | | |
| 70● | KRP8A-H | .. Bearing | 2 | X | X | | | | | |
| 80* | N5000-112-PP | .. Snap Ring | 2 | X | X | | | | | |
| 90 | 28-14120-11 | .. Washer | 2 | X | X | | | | | |
| 100 | MS21262-6 | .. Screw | 2 | X | X | | | | | |
| 110†▲ | 28-15017-1 | .. Blade and Grip Assembly | 2 | X | X | | | | | |
| 120 | NAS6604H1 | .. Bolt | 16 | X | X | | | | | |
| 120 | AN4H-4A | .. Bolt (Superseded by NAS6604H1) | 16 | X | X | | | | | |
| 130 | NAS1149F0463P | .. Washer | 16 | X | X | | | | | |
| 130 | AN960-416 | .. Washer | 16 | X | X | | | | | |
| 140 | SL1N-4 | .. Nut | 2 | X | X | | | | | |
| 150 | SL61W-4 | .. Lock Washer | 2 | X | X | | | | | |
| 160◇ | 7203BTVPUO | .. Bearing Set (3 pc) | 2 | X | X | | | | | |
| 160 | ABEC-3 | .. Bearing Set (3 pc) (Alternate) | 2 | X | X | | | | | |
| 160 | Q30203DT | .. Bearing Set (Replaced by 7203BTVPUO) | 2 | X | X | | | | | |

ENSTROM F-28/280 SERIES ILLUSTRATED PARTS CATALOG

FIGURE 12-9. 28-15018-3 TAIL ROTOR ASSEMBLY

| ITEM NUMBER | PART NUMBER | DESCRIPTION | QTY PER ASSY | MODELS AFFECTED | | | | | | |
|-------------|---------------|--------------------------------------|--------------|-----------------|-----|-------|------|-------|------|-------|
| | | | | F-28A | 280 | F-28C | 280C | F-28F | 280F | 280FX |
| 170 | 28-15005-1 | .. Spacer | 2 | X | X | | | | | |
| 180◇ | 28-15027-10 | .. Spacer | 2 | X | X | | | | | |
| 190 | KP-16B | .. Bearing | 2 | X | X | | | | | |
| 200 | AN526-1032-6 | .. Screw | 2 | X | X | | | | | |
| - | 1641 | .. Lube Fitting | 2 | X | X | | | | | |
| 210 | MS35206-249 | .. Screw | 4 | X | X | | | | | |
| 210 | AN515-8-16 | .. Screw (Superseded by MS35206-249) | 4 | X | X | | | | | |
| 220 | NAS1149FN832P | .. Washer | A/R | X | X | | | | | |
| 220 | AN960-8 | .. Washer (Alternate) | A/R | X | X | | | | | |
| 230 | 28-17308-1 | .. Strike Indicator | 2 | X | X | | | | | |
| 240†▲ | 28-15013-1 | .. Plate | 2 | X | X | | | | | |

- Alternate is KP8A.
- * Alternate is 28-14121-11.
- † Item 110 and Item 240 are used together for right hand installation only.
- ▲ 28-150021-11 and 28-150023-1 are preferred replacement parts and for right or left hand installation.
- ◇ Available as Kit 28-01023-1.

ENSTROM F-28/280 SERIES ILLUSTRATED PARTS CATALOG

I INTENTIONALLY LEFT BLANK

ENSTROM F-28/280 SERIES ILLUSTRATED PARTS CATALOG

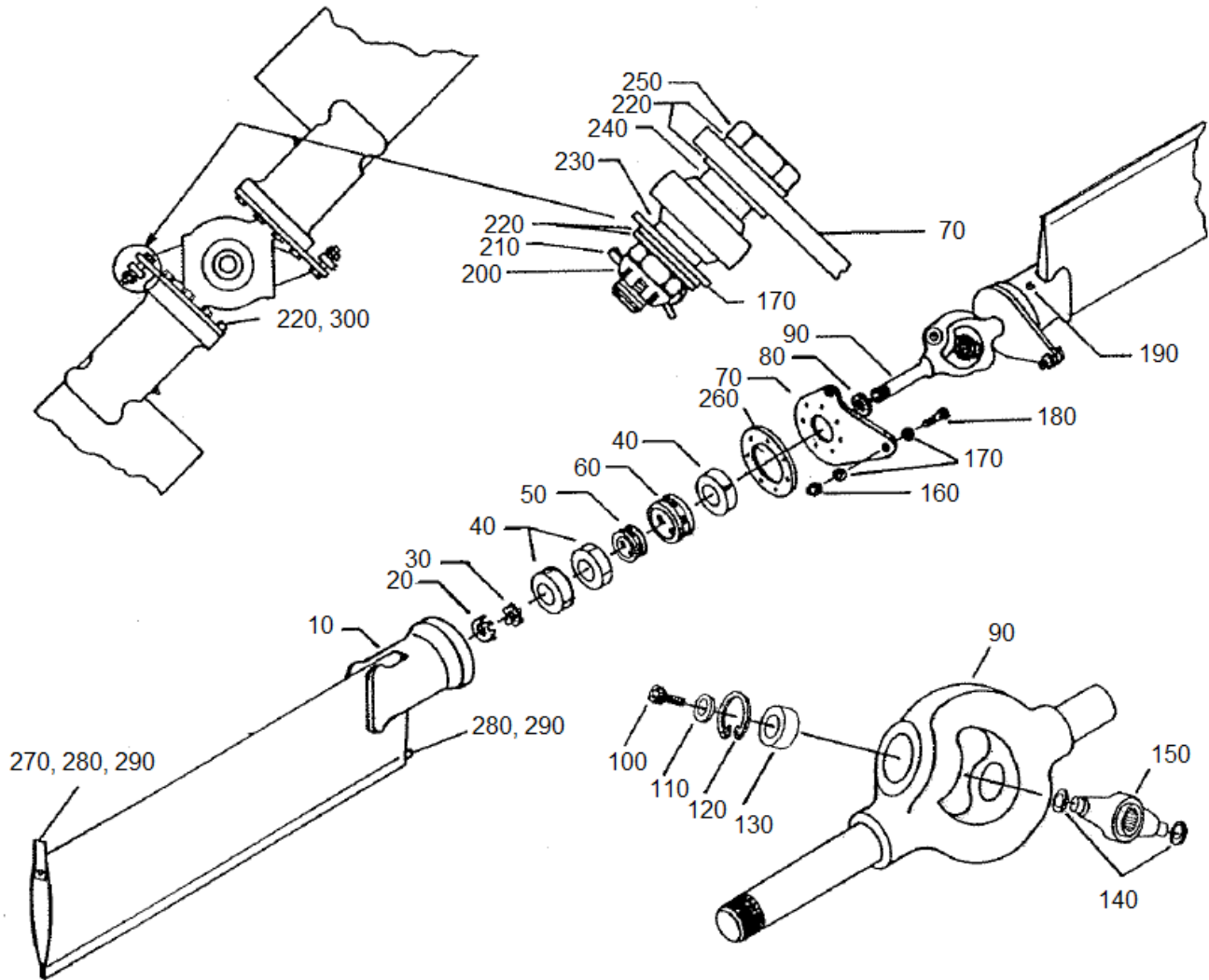


FIGURE 12-10. 28-150000-7, -10 TAIL ROTOR ASSEMBLY

ENSTROM F-28/280 SERIES ILLUSTRATED PARTS CATALOG

FIGURE 12-10. 28-150000-7, -10 TAIL ROTOR ASSEMBLY

| ITEM NUMBER | PART NUMBER | DESCRIPTION | QTY PER ASSY | MODELS AFFECTED | | | | | | |
|-------------|--------------|-----------------------------------|--------------|-----------------|-----|-------|------|-------|------|-------|
| | | | | F-28A | 280 | F-28C | 280C | F-28F | 280F | 280FX |
| - | 28-150000-7 | Tail Rotor Assembly | REF | | | X | X | | | |
| - | 28-150000-10 | Tail Rotor Assembly | REF | | | X | X | | | |
| 10 | 28-150001-5 | . Blade & Grip Assembly | 1 | | | X | X | | | |
| 20 | SL61W-5P | . Lock Washer | 2 | | | X | X | | | |
| 30 | SL61N-5P | . Lock Nut | 2 | | | X | X | | | |
| 40 | ECD035-11 | . Bearing Set (3 pc) | 2 | | | X | X | | | |
| 40 | 304R | . Bearing Set (3 pc) (Alternate) | 2 | | | X | X | | | |
| 40 | 7304DT | . Bearing Set (3 pc) (Alternate) | 2 | | | X | X | | | |
| 50 | 28-150016-11 | . Spacer | 2 | | | X | X | | | |
| 60 | 28-150015-11 | . Spacer | 2 | | | X | X | | | |
| 70▲ | 28-150046-1 | . Pitch Arm | 2 | | | X | X | | | |
| -70A* | 28-150060-11 | . Pitch Arm | 2 | | | X | X | | | |
| 80 | 28-150026-11 | . Spacer | 2 | | | X | X | | | |
| 90 | 28-150014-14 | . Spindle | 1 | | | X | X | | | |
| 100 | MS21262-6 | . Screw | 2 | | | X | X | | | |
| 110 | 28-14120-11 | . Washer | 2 | | | X | X | | | |
| 120 | 28-14121-11 | . Snap Ring | 2 | | | X | X | | | |
| 130 | KRP8A-H | . Bearing | 2 | | | X | X | | | |
| 130 | KRP8A-C | . Bearing (Superseded by KRP8A-H) | 2 | | | X | X | | | |
| 140 | 28-15203-1 | . Shim Set | 2 | | | X | X | | | |
| 150 | 28-15206-1 | . Hub | 1 | | | X | X | | | |
| 160 | MS21083N4 | . Nut | 2 | | | X | X | | | |
| 160 | AN364-428A | . Nut (Superseded by MS21083N4) | 2 | | | X | X | | | |
| 170 | ECD050-11 | . Washer | 4 | | | X | X | | | |
| 170 | 1/4 Harper | . Washer (Alternate) | 4 | | | X | X | | | |
| 180 | NAS6604-1 | . Bolt | 2 | | | X | X | | | |
| 180 | AN4-4A | . Bolt (Superseded by NAS6604-1) | 2 | | | X | X | | | |
| 190 | 1650 | . Lube Fitting | 2 | | | X | X | | | |

ENSTROM F-28/280 SERIES ILLUSTRATED PARTS CATALOG

FIGURE 12-10. 28-150000-7, -10 TAIL ROTOR ASSEMBLY

| ITEM NUMBER | PART NUMBER | DESCRIPTION | QTY PER ASSY | MODELS AFFECTED | | | | | | |
|-------------|-----------------|--|--------------|-----------------|-----|-------|------|-------|------|-------|
| | | | | F-28A | 280 | F-28C | 280C | F-28F | 280F | 280FX |
| - | 28-16380 | Tail Rotor Blades, Gearbox & Controls Installation | REF | | | X | X | | | |
| 200 | MS17825-4 | . Nut | 2 | | | X | X | | | |
| 200 | F12-NE-4753-048 | . Nut | 2 | | | X | X | | | |
| 210 | MS24665-151 | . Cotter Pin | 2 | | | X | X | | | |
| 210 | AN381-2-8 | . Cotter Pin (Superseded by MS24665-151) | 2 | | | X | X | | | |
| 220 | NAS1149F0463P | . Washer | A/R | | | X | X | | | |
| 220 | AN960-416 | . Washer (Alternate) | A/R | | | X | X | | | |
| 230 | 28-16353-4 | . Spacer | 2 | | | X | X | | | |
| 240 | 28-16353-3 | . Spacer | 2 | | | X | X | | | |
| 250 | NAS6604D15 | . Bolt | 2 | | | X | X | | | |
| 250 | AN4-13 | . Bolt (Superseded by NAS6604D15) | 2 | | | X | X | | | |
| 260▲ | 28-150048-1 | . Plate | 2 | | | X | X | | | |
| 270 | 28-17308-1 | . Strike Indicator | 2 | | | X | X | | | |
| 280 | MS35207-10-16 | . Screw | 4 | | | X | X | | | |
| 280 | AN515-10-16 | . Screw (Superseded by MS35207-10-16) | 4 | | | X | X | | | |
| 290 | NAS1149F0363P | . Washer | A/R | | | X | X | | | |
| 290 | AN960-10 | . Washer (Alternate) | A/R | | | X | X | | | |
| 300 | NAS6604H3 | . Bolt | 16 | | | X | X | | | |
| 300 | AN4H-5A | . Bolt (Superseded by NAS6604H3) | 16 | | | X | X | | | |
| - | MR-18 | . Bearing | 2 | | | X | X | | | |
| -* | 28-150033-1 | . Bumper | 2 | | | X | X | | | |
| -* | 28-150063-11 | . Bearing Sleeve | 2 | | | X | X | | | |
| -* | 28-150055 | . Bearing Retainer | 2 | | | X | X | | | |

▲ Items included in 28-150000-7 only.

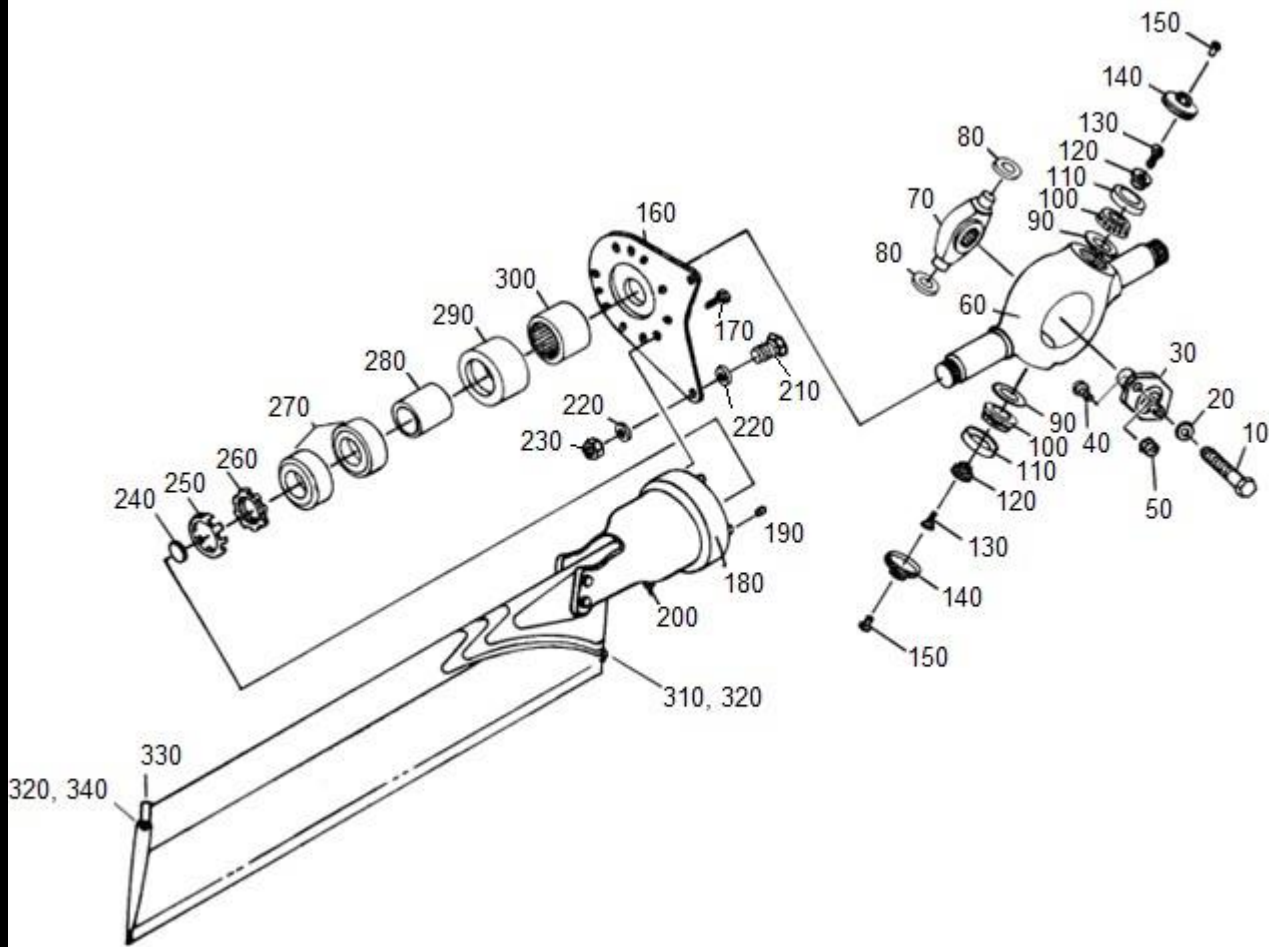
* Items included in 28-150000-10 only.

ENSTROM F-28/280 SERIES ILLUSTRATED PARTS CATALOG

I

INTENTIONALLY LEFT BLANK

ENSTROM F-28/280 SERIES ILLUSTRATED PARTS CATALOG



F-28C All S/Ns
 280C All S/Ns
 F-28F Prior to S/N 803
 280F All S/Ns
 280FX Prior to S/N 2078

FIGURE 12-11. 28-150050-2 TAIL ROTOR ASSEMBLY

ENSTROM F-28/280 SERIES ILLUSTRATED PARTS CATALOG

FIGURE 12-11. 28-150050-2 TAIL ROTOR ASSEMBLY

| ITEM NUMBER | PART NUMBER | DESCRIPTION | QTY PER ASSY | MODELS AFFECTED | | | | | | |
|-------------|---------------|-------------------------------------|--------------|-----------------|-----|-------|------|-------|------|-------|
| | | | | F-28A | 280 | F-28C | 280C | F-28F | 280F | 280FX |
| —* | 28-150050-2 | Tail Rotor Assembly | REF | | | X | X | X | X | X |
| 10 | NAS6607-5 | . Bolt | 1 | | | X | X | X | X | X |
| 10 | AN7H-7A | . Bolt (Superseded by NAS6607-5) | 1 | | | X | X | X | X | X |
| 20 | NAS1149F0763P | . Washer | 1 | | | X | X | X | X | X |
| 20 | AN960-716 | . Washer (Alternate) | 1 | | | X | X | X | X | X |
| — | 28-15030-1 | . Teeter Stop Assembly | 1 | | | X | X | X | X | X |
| 30 | 28-15028-1 | . . Mount Plate | 1 | | | X | X | X | X | X |
| 40 | 16-1 | . . Bumper | 2 | | | X | X | X | X | X |
| 50 | MS21083N06 | . . Nut | 2 | | | X | X | X | X | X |
| 50 | AN364-632A | . . Nut (Superseded by MS21083N06) | 2 | | | X | X | X | X | X |
| 60 | 28-150064-11 | . Spindle | 1 | | | X | X | X | X | X |
| 70 | 28-150051-1 | . Hub | 1 | | | X | X | X | X | X |
| 80 | MS20002-C6 | . Washer (Used with 28-160062-11) | 2 | | | X | X | X | X | X |
| 90 | 28-150062-13 | . Shield | 2 | | | X | X | X | X | X |
| 90 | 28-150062-11 | . Shield (Replaced by 28-150062-13) | 2 | | | X | X | X | X | X |
| 100 | A2126 | . Bearing Cone | 2 | | | X | X | X | X | X |
| 110 | A2037 | . Bearing Cup | 2 | | | X | X | X | X | X |
| 120 | 28-150053-1 | . Spacer | 2 | | | X | X | X | X | X |
| 130 | NK509-8R6 | . Screw | 2 | | | X | X | X | X | X |
| 140 | 28-150066-11 | . Retention Cap | 2 | | | X | X | X | X | X |
| 150 | 1885 | . Lube Fitting | 2 | | | X | X | X | X | X |
| 160 | 28-150060-11 | . Pitch Arm | 2 | | | X | X | X | X | X |
| 170 | NAS6604H1 | . Bolt | 16 | | | X | X | X | X | X |
| 170 | AN4H-4A | . Bolt (Superseded by NAS6604H1) | 16 | | | X | X | X | X | X |
| — | MS20995C32 | . Safety Wire | 24" | | | X | X | X | X | X |
| 180 | 28-150001-5 | . Tail Rotor Blade & Grip Assembly | 2 | | | X | X | X | X | X |
| 190 | 28-150044-5 | . . Dowel | 6 | | | X | X | X | X | X |
| 200 | 1650 | . Lube Fitting | 2 | | | X | X | X | X | X |

ENSTROM F-28/280 SERIES ILLUSTRATED PARTS CATALOG

FIGURE 12-11. 28-150050-2 TAIL ROTOR ASSEMBLY

| ITEM NUMBER | PART NUMBER | DESCRIPTION | QTY PER ASSY | MODELS AFFECTED | | | | | | |
|-------------|---------------|-----------------------------------|--------------|-----------------|-----|-------|------|-------|------|-------|
| | | | | F-28A | 280 | F-28C | 280C | F-28F | 280F | 280FX |
| 210 | NAS6604H3 | . Bolt | 2 | | | X | X | X | X | X |
| 210 | AN4H-5A | . Bolt (Superseded by NAS6604H3) | 2 | | | X | X | X | X | X |
| 220 | ECD050-11 | . Washer | 4 | | | X | X | X | X | X |
| 220 | 1/4 Harper | . Washer (Alternate) | 4 | | | X | X | X | X | X |
| 230 | MS21083N4 | . Nut | 2 | | | X | X | X | X | X |
| 230 | AN364-428A | . Nut (Superseded by MS21083N4) | 2 | | | X | X | X | X | X |
| 240 | 28-15033-5 | . Bumper | 2 | | | X | X | X | X | X |
| 240 | 28-15033-11 | . Bumper (Replaced by 28-15033-5) | 2 | | | X | X | X | X | X |
| 250 | SL61W-5P | . Lock Washer | 2 | | | X | X | X | X | X |
| 260 | SL61N-5P | . Nut | 2 | | | X | X | X | X | X |
| 270 | ECD002-13 | . Bearing Set (2) | 2 | | | X | X | X | X | X |
| 270 | 7304DT | . Bearing Set (2) (Alternate) | 2 | | | X | X | X | X | X |
| 280 | 28-150063-11 | . Bearing Sleeve | 2 | | | X | X | X | X | X |
| 290 | 28-150055-1 | . Bearing Retainer | 2 | | | X | X | X | X | X |
| 300 | MR-18 | . Bearing | 2 | | | X | X | X | X | X |
| 310 | AN520-10-16 | . Screw | 2 | | | X | X | X | X | X |
| 320 | NAS1149F0363P | . Washer | A/R | | | X | X | X | X | X |
| 320 | AN960-10 | . Washer (Alternate) | A/R | | | X | X | X | X | X |
| 330 | 28-17308-1 | . Strike Tab | 2 | | | X | X | X | X | X |
| 340 | AN520-10-40 | . Screw | 2 | | | X | X | X | X | X |

* May upgrade to latest production in accordance with SIL 0141. If aircraft has incorporated SIL 0141, see Figure 12-10.

ENSTROM F-28/280 SERIES ILLUSTRATED PARTS CATALOG

INTENTIONALLY LEFT BLANK

ENSTROM F-28/280 SERIES ILLUSTRATED PARTS CATALOG

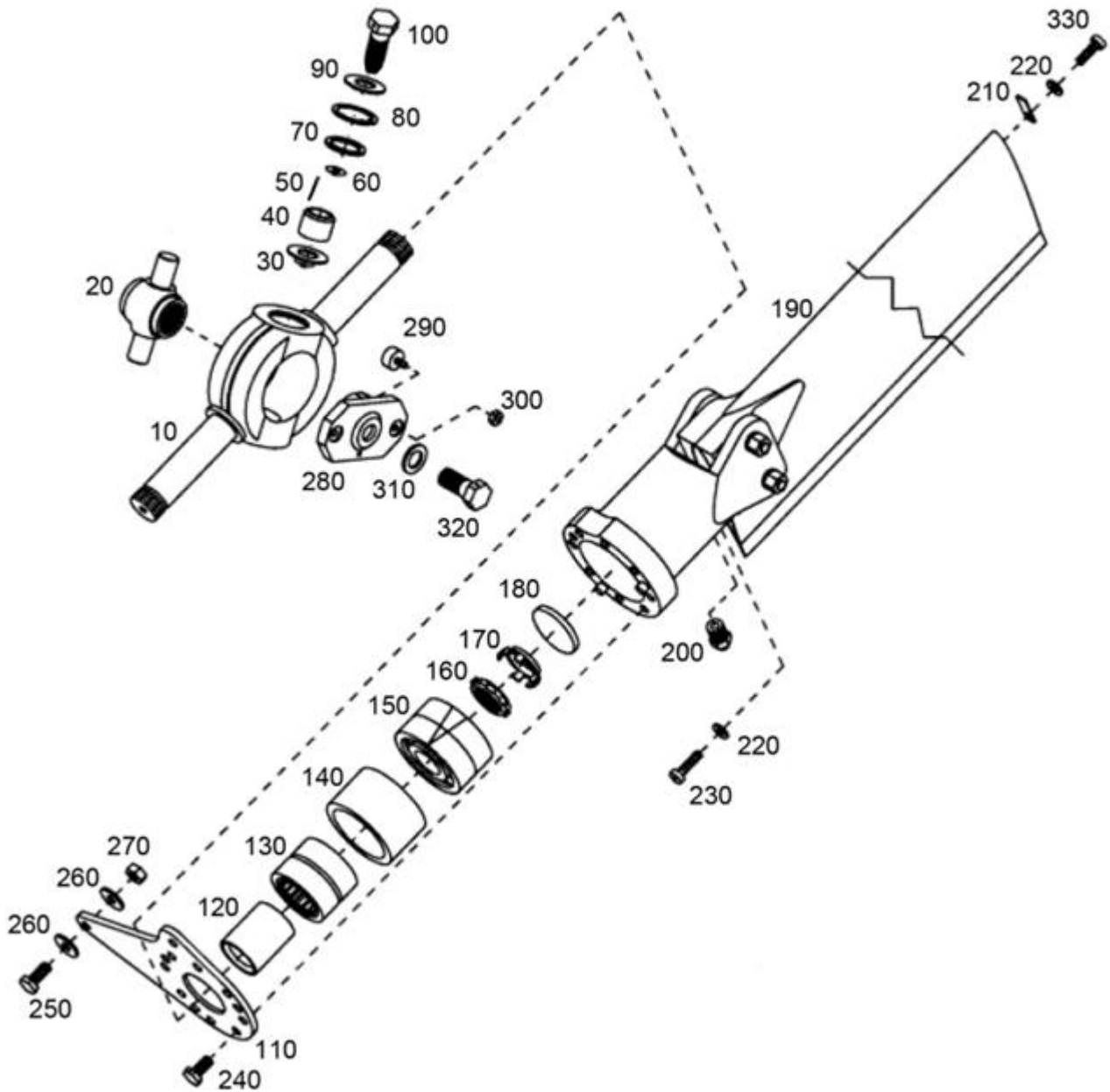


FIGURE 12-12. 28-150073-1, -5 TAIL ROTOR ASSEMBLY

ENSTROM F-28/280 SERIES ILLUSTRATED PARTS CATALOG

FIGURE 12-12. 28-150073-1, -5 TAIL ROTOR ASSEMBLY

| ITEM NUMBER | PART NUMBER | DESCRIPTION | QTY PER ASSY | MODELS AFFECTED | | | | | | |
|-------------|------------------|--------------------------|--------------|-----------------|-----|-------|------|-------|------|-------|
| | | | | F-28A | 280 | F-28C | 280C | F-28F | 280F | 280FX |
| -* | 28-150073-1 | Tail Rotor Assembly | REF | | | X | X | X | X | X |
| -* | 28-150073-5 | Tail Rotor Assembly | REF | | | X | X | X | X | X |
| 10 | 28-150074-13 | . Spindle | 1 | | | X | X | X | X | X |
| 10 | 28-150074-11 | . Spindle (Alternate) | 1 | | | X | X | X | X | X |
| 20 | 28-150067-11 | . Hub | 1 | | | X | X | X | X | X |
| -20A● | 28-150067-13 | . Hub | 1 | | | X | X | X | X | X |
| 30 | 959-3 | . Wiper | 2 | | | X | X | X | X | X |
| -30A● | 28-150075-11 | . Shield | 2 | | | X | X | X | X | X |
| 40 | 28-150070-11 | . Spherical Bearing | 2 | | | X | X | X | X | X |
| -40A● | 28-150070-13 | . Spherical Bearing | 2 | | | X | X | X | X | X |
| 50 | MS16555-618 | . Pin | 2 | | | X | X | X | X | X |
| 60 | 28-150072-1 | . Shim, .001" | A/R | | | X | X | X | X | X |
| 60 | 28-150072-2 | . Shim, .002" | A/R | | | X | X | X | X | X |
| 60 | 28-150072-3 | . Shim, .003" | A/R | | | X | X | X | X | X |
| 60 | 28-150072-5 | . Shim, .005" | A/R | | | X | X | X | X | X |
| 60 | 28-150072-7 | . Shim, .0075" | A/R | | | X | X | X | X | X |
| 60 | 28-150072-10 | . Shim, .010" | A/R | | | X | X | X | X | X |
| 60 | 28-150072-20 | . Shim, .020" | A/R | | | X | X | X | X | X |
| 70 | 28-150072-21 | . Retainer Plate | 2 | | | X | X | X | X | X |
| 80 | N5002-100 | . Snap Ring | 2 | | | X | X | X | X | X |
| 90 | 28-150072-11 | . Washer | 2 | | | X | X | X | X | X |
| 100▲ | NP138BS1032-N-8Z | . Bolt | 2 | | | X | X | X | X | X |
| 110 | 28-150060-11 | . Pitch Arm | 2 | | | X | X | X | X | X |
| 120 | 28-150063-11 | . Bearing Sleeve | 2 | | | X | X | X | X | X |
| 130 | ECD001-11 | . Bearing | 2 | | | X | X | X | X | X |
| 140 | 28-150055-1 | . Bearing Retainer | 2 | | | X | X | X | X | X |
| 150 | ECD002-11 | . Bearing Assembly (Set) | 2 | | | X | X | X | X | X |
| 160 | SL61N-5P | . Nut | 2 | | | X | X | X | X | X |
| 170 | SL61W-5P | . Lock Washer | 2 | | | X | X | X | X | X |

ENSTROM F-28/280 SERIES ILLUSTRATED PARTS CATALOG

FIGURE 12-12. 28-150073-1, -5 TAIL ROTOR ASSEMBLY

| ITEM NUMBER | PART NUMBER | DESCRIPTION | QTY PER ASSY | MODELS AFFECTED | | | | | | |
|-------------|---------------|--------------------------------------|--------------|-----------------|-----|-------|------|-------|------|-------|
| | | | | F-28A | 280 | F-28C | 280C | F-28F | 280F | 280FX |
| 180 | 28-15033-5 | . Bumper | 2 | | | X | X | X | X | X |
| 190 | 28-150001-5 | . Tail Rotor Blade and Grip Assembly | 2 | | | X | X | X | X | X |
| 200 | 1650 | . Lube Fitting | 2 | | | X | X | X | X | X |
| 210 | 28-17308-1 | . Strike Tab | 2 | | | X | X | X | X | X |
| 220 | NAS1149F0363P | . Washer | A/R | | | X | X | X | X | X |
| 220 | AN960-10 | . Washer (Alternate) | A/R | | | X | X | X | X | X |
| 230 | AN520-10-16 | . Screw | 2 | | | X | X | X | X | X |
| 240 | NAS6604H1 | . Bolt | 16 | | | X | X | X | X | X |
| 240 | AN4H-4A | . Bolt (Superseded by NAS6604H1) | 16 | | | X | X | X | X | X |
| - | MS20995C32 | . Lockwire | A/R | | | X | X | X | X | X |
| 250 | NAS6604-3 | . Bolt | 2 | | | X | X | X | X | X |
| 250 | AN4-5A | . Bolt (Superseded by NAS6604-3) | 2 | | | X | X | X | X | X |
| 260 | ECD050-11 | . Washer | 4 | | | X | X | X | X | X |
| 260 | 1/4 Harper | . Washer (Alternate) | 4 | | | X | X | X | X | X |
| 270 | MS21083N4 | . Nut | 2 | | | X | X | X | X | X |
| 270 | AN364-428A | . Nut (Superseded by MS21083N4) | 2 | | | X | X | X | X | X |
| - | 28-15030-1 | . Teeter Stop Assembly | 1 | | | X | X | X | X | X |
| 280 | 28-15028-1 | . Mount Plate | 1 | | | X | X | X | X | X |
| 290 | 16-1 | . Bumper | 2 | | | X | X | X | X | X |
| 300 | MS21083N06 | . Nut | 2 | | | X | X | X | X | X |
| 300 | AN364-632A | . Nut (Superseded by MS21083N06) | 2 | | | X | X | X | X | X |
| 310 | NAS1149F0763P | . Washer | 1 | | | X | X | X | X | X |
| 310 | AN960-716 | . Washer (Alternate) | 1 | | | X | X | X | X | X |
| 320 | NAS6607-5 | . Bolt | 1 | | | X | X | X | X | X |
| 320 | AN7H-7A | . Bolt (Superseded by NAS6607-5) | 1 | | | X | X | X | X | X |
| 330 | AN520-10-40 | . Screw | 2 | | | X | X | X | X | X |

ENSTROM F-28/280 SERIES ILLUSTRATED PARTS CATALOG

- Parts used with 28-150073-5 only.
- ▲ NAS6603-2 and Loctite is an acceptable alternate.
- * May upgrade to latest production in accordance with SIL 0141. If aircraft has incorporated SIL 0141, see Figure 12-10.

ENSTROM F-28/280 SERIES ILLUSTRATED PARTS CATALOG

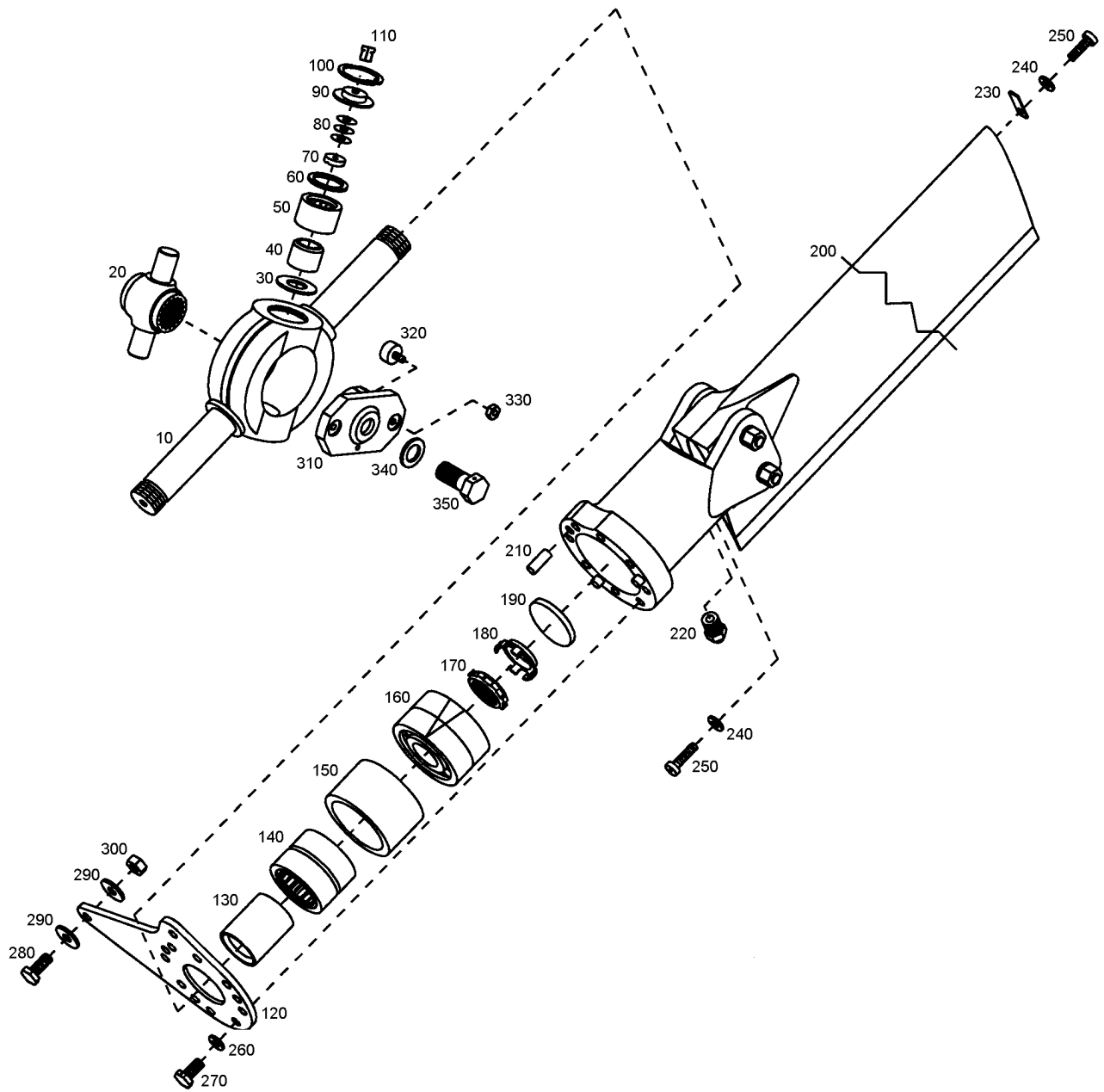


FIGURE 12-13. 28-150079-1, -5 TAIL ROTOR ASSEMBLY

ENSTROM F-28/280 SERIES ILLUSTRATED PARTS CATALOG

FIGURE 12-13. 28-150079-1, -5 TAIL ROTOR ASSEMBLY

| ITEM NUMBER | PART NUMBER | DESCRIPTION | QTY PER ASSY | MODELS AFFECTED | | | | | | |
|-------------|--------------|---|--------------|-----------------|-----|-------|------|-------|------|-------|
| | | | | F-28A | 280 | F-28C | 280C | F-28F | 280F | 280FX |
| -Δ | 28-150079-1 | Tail Rotor Assembly | REF | | | X | X | X | X | X |
| - | 28-150079-5 | Tail Rotor Assembly | REF | | | X | X | X | X | X |
| - | 28-150077-1 | . Spindle Assembly | 1 | | | X | X | X | X | X |
| - | 28-150077-11 | . Spindle Assembly (Alternate) | 1 | | | X | X | X | X | X |
| 10◆ | 28-150074-13 | . . Spindle | 1 | | | X | X | X | X | X |
| 20◆ | 28-150067-15 | . . Hub | 1 | | | X | X | X | X | X |
| 30◆ | 28-150076-17 | . . Washer | 2 | | | X | X | X | X | X |
| 40◆ | 28-150076-15 | . . Journal | 2 | | | X | X | X | X | X |
| 50◆ | B-1210 | . . Bearing | 2 | | | X | X | X | X | X |
| 60◆ | 28-150076-19 | . . Seal | 2 | | | X | X | X | X | X |
| 70◆ | 28-150076-13 | . . Thrust Bumper | 2 | | | X | X | X | X | X |
| 80◆ | 28-150078-10 | . . Shim, .010" | A/R | | | X | X | X | X | X |
| 80◆ | 28-150078-12 | . . Shim, .002" | A/R | | | X | X | X | X | X |
| 80◆ | 28-150078-13 | . . Shim, .003" | A/R | | | X | X | X | X | X |
| 80◆ | 28-150078-15 | . . Shim, .005" | A/R | | | X | X | X | X | X |
| 90◆ | 28-150076-1 | . . End Plate | 2 | | | X | X | X | X | X |
| 90◆ | 28-150076-21 | . . End Plate (Replaced by 28-150076-1) | 2 | | | X | X | X | X | X |
| 100◆ | N5002-100 | . . Retaining Ring | 2 | | | X | X | X | X | X |
| 110 | 1877 | . . Grease Fitting | 2 | | | X | X | X | X | X |
| 120◆ | 28-150060-11 | . Pitch Arm | 2 | | | X | X | X | X | X |
| 130◆ | 28-150063-11 | . Sleeve | 2 | | | X | X | X | X | X |
| -130A◆▼ | 28-150063-13 | . Sleeve | 2 | | | X | X | X | X | X |
| 140◆ | ECD001-11 | . Bearing | 2 | | | X | X | X | X | X |
| 150◆ | 28-150055-13 | . Bearing Retainer | 2 | | | X | X | X | X | X |
| 150◆ | 28-150055-1 | . Bearing Retainer (Replaced by 28-150055-13) | 2 | | | X | X | X | X | X |
| -150A◆▼ | 28-150055-15 | . Bearing Retainer | 2 | | | X | X | X | X | X |
| 160◆ | ECD002-13 | . Bearing | 2 | | | X | X | X | X | X |
| 160◆ | ECD002-11 | . Bearing (Replaced by ECD002-13) | 2 | | | X | X | X | X | X |

ENSTROM F-28/280 SERIES ILLUSTRATED PARTS CATALOG

FIGURE 12-13. 28-150079-1, -5 TAIL ROTOR ASSEMBLY

| ITEM NUMBER | PART NUMBER | DESCRIPTION | QTY PER ASSY | MODELS AFFECTED | | | | | | |
|-------------|---------------|--|--------------|-----------------|-----|-------|------|-------|------|-------|
| | | | | F-28A | 280 | F-28C | 280C | F-28F | 280F | 280FX |
| 170♦ | SL61N-5F | . Nut | 2 | | | X | X | X | X | X |
| 170♦ | SL61N-5P | . Nut (Alternate) | 2 | | | X | X | X | X | X |
| 180♦ | SL61W-5P | . Lock Washer | 2 | | | X | X | X | X | X |
| 190 | 28-15033-5 | . Bumper | 2 | | | X | X | X | X | X |
| 200 | 28-150001-5 | . Tail Rotor Blade and Grip Assembly | 2 | | | X | X | X | X | X |
| 210 | 28-150044-5 | . . Dowel | 3 | | | X | X | X | X | X |
| 220 | 1650 | . Lube Fitting | 2 | | | X | X | X | X | X |
| 230 | 28-17308-1 | . Strike Indicator | 2 | | | X | X | X | X | X |
| 240 | NAS1149F0316P | . Washer | A/R | | | X | X | X | X | X |
| 240 | AN960-10 | . Washer (Superseded by NAS1149F0316P) | A/R | | | X | X | X | X | X |
| - | NAS1149F0332P | . Washer | A/R | | | X | X | X | X | X |
| - | AN960-10L | . Washer (Superseded by NAS1149F0332P) | A/R | | | X | X | X | X | X |
| 250* | MS35207-262 | . Screw | 4 | | | X | X | X | X | X |
| 250* | MS35207-AR | . Screw (Replaced by MS35207-262) | 4 | | | X | X | X | X | X |
| 260 | NAS1149F0432P | . Washer | 16 | | | X | X | X | X | X |
| 260 | AN960-416L | . Washer (Alternate) | 16 | | | X | X | X | X | X |
| 270 | NAS6604H1 | . Bolt | 16 | | | X | X | X | X | X |
| 270 | AN4H4A | . Bolt (Superseded by NAS6604H1) | 16 | | | X | X | X | X | X |
| - | MS20995C32 | . Safety Wire | A/R | | | X | X | X | X | X |
| 280 | NAS6604-3 | . Bolt | 2 | | | X | X | X | X | X |
| 280 | AN4-5A | . Bolt (Superseded by NAS6604-3) | 2 | | | X | X | X | X | X |
| 290 | ECD050-17 | . Washer | 4 | | | X | X | X | X | X |
| 290 | ECD050-11 | . Washer (Alternate) | 4 | | | X | X | X | X | X |
| 290 | 1/4 Harper | . Flat Washer, 1/4 X 11/16 (Alternate) | 4 | | | X | X | X | X | X |
| 300 | MS21083N4 | . Nut | 2 | | | X | X | X | X | X |

ENSTROM F-28/280 SERIES ILLUSTRATED PARTS CATALOG

FIGURE 12-13. 28-150079-1, -5 TAIL ROTOR ASSEMBLY

| ITEM NUMBER | PART NUMBER | DESCRIPTION | QTY PER ASSY | MODELS AFFECTED | | | | | | |
|-------------|---------------|----------------------------------|--------------|-----------------|-----|-------|------|-------|------|-------|
| | | | | F-28A | 280 | F-28C | 280C | F-28F | 280F | 280FX |
| 300 | AN364-428A | . Nut (Superseded by MS21083N4) | 2 | | | X | X | X | X | X |
| - | 28-15030-1 | Teeter Stop Assembly | REF | | | X | X | X | X | X |
| 310 | 28-15028-1 | . Mount Plate | 1 | | | X | X | X | X | X |
| 320 | 16-1 | . Bumper | 2 | | | X | X | X | X | X |
| 330 | MS21083N06 | . Nut | 2 | | | X | X | X | X | X |
| 330 | AN364-632A | . Nut (Superseded by MS21083N06) | 2 | | | X | X | X | X | X |
| 340 | NAS1149F0763P | . Washer | 1 | | | X | X | X | X | X |
| 340 | AN960-716 | . Washer (Alternate) | 1 | | | X | X | X | X | X |
| 350 | NAS6607-5 | . Bolt | 1 | | | X | X | X | X | X |
| 350 | AN7H7A | . Bolt (Superseded by NAS6607-5) | 1 | | | X | X | X | X | X |
| -** | 28-150079-901 | . Tail Rotor Spindle Assembly | 1 | | | X | X | X | X | X |

△ Effectivity F-28F S/N 818 and subsequent, 280FX S/N 2111 and subsequent; Eligibility F-28F S/N 509 and subsequent, 280FX S/N /2001 and subsequent; and helicopters modified by SIL 0141.

▼ Parts used with 28-150079-5 only.

* Length as required.

** Replaces Kit 28-010se56-1.

◆ Items included in Kit 28-150079-901.

ENSTROM F-28/280 SERIES ILLUSTRATED PARTS CATALOG

SECTION 13

SHIMS

TABLE OF CONTENTS

| | | |
|------|-----------------------------------|------|
| | Cover Page | 13-1 |
| | Table of Contents | 13-1 |
| 13-1 | Index of Enstrom Helicopter Shims | 13-2 |

NOTE: This list indicates all of the shims required to maintain the helicopter except those required in transmission overhaul. The use or application of each shim is also listed for user convenience.

ENSTROM F-28/280 SERIES ILLUSTRATED PARTS CATALOG

TABLE 13-1. INDEX OF ENSTROM HELICOPTER SHIMS

| Location and Base Number | Dash Number | Thickness |
|---------------------------------|--------------------|------------------|
| Tail Rotor Hub 28-15203 | -3 | 0.001 |
| | -4 | 0.002 |
| | -5 | 0.003 |
| | -6 | 0.005 |
| | -7 | 0.0005 |

ENSTROM F-28/280 SERIES ILLUSTRATED PARTS CATALOG

APPENDIX A EQUIVALENT PART NUMBERS

UNCONTROLLED COPY WHEN DOWNLOADED OR PRINTED

Rev. 3

A-1

Sep 30/13

Visit www.enstromhelicopter.com for instructions to order an original manual and to register for email notification of updates.

ENSTROM F-28/280 SERIES ILLUSTRATED PARTS CATALOG

INTENTIONALLY LEFT BLANK

ENSTROM F-28/280 SERIES ILLUSTRATED PARTS CATALOG

1. Introduction

This Appendix lists various equivalent part numbers which have been used to identify parts. The parts listed below have not changed, although they may have been supplied under any of the alternate part numbers listed. The changes may have resulted from a supplier change, a procedural change, or simply a correction of a typographical error. Any of the equivalent part numbers may be installed in place of the corresponding primary part number listed.

Enstrom Helicopter ECD-series parts (not listed) may have part numbers in the format ECDXXXX-YY, ECD-XXXX-YY, or ECD XXXX-YY. All three of these part number formats may be used interchangeably. Parts with the same numbers are identical, regardless of the number format

For example:

| PART NUMBER | EQUIVALENT PART NUMBERS | DESCRIPTION |
|-------------|----------------------------|-------------------|
| ECD4055-11 | ECD-4055-11 ECD 4055-11 | Illuminated Panel |

When ordering new parts, please use the "PART NUMBER" column for faster service.

2. Equivalent Part Numbers Table

TABLE A-1 EQUIVALENT PART NUMBERS

| PART NUMBER | EQUIVALENT PART NUMBERS | DESCRIPTION |
|---------------|-------------------------|---|
| 01-0790006-01 | A600-PG-28 A600PG28 | Position/Strobe Light. Assembly (Green) |
| 01-0790006-03 | A600-PR-28 A600PR28 | Position/Strobe Light Assembly (Red) |
| 10065 H1L5 | 10065 | Seal: Oil |
| 02-0250276-00 | A610 | Strobe Tube Assembly |
| 02-0350259-00 | A605 | Base Plate Assembly |
| 02-0350260-00 | A507 | Socket Assembly |
| 1219-4200-Z3Y | S4-200 | Spring: Stud Fastener |
| 19-170049-009 | A606 | Lens Retainer |
| 259N04 | 259 N4 259-N-04X02 | Insert, Tube |
| 264N04 | 264N 4 264-N-04X02 | Tee, Tube |

UNCONTROLLED COPY WHEN DOWNLOADED OR PRINTED

ENSTROM F-28/280 SERIES ILLUSTRATED PARTS CATALOG

TABLE A-1 EQUIVALENT PART NUMBERS

| PART NUMBER | EQUIVALENT PART NUMBERS | DESCRIPTION |
|------------------------|------------------------------|-------------------------------|
| 265N04 | 265N 4 265-N-04X02 | Union, Elbow |
| 268N04X02 | 268N 4X2 268-N-04X02 | Adapter, Straight |
| 269-N-04X02 | 269N 4X2 | Elbow, 90 Degree |
| 3001-127-470/180C-6.3M | 3001-127-47018 | Detector: Fire/Overheat, Eng. |
| 34-0428020-65 | W1290-28 W129028 | Lamp, Reflector 28V 26W |
| 34-0428070-64 | A508-28 A50828 | Lamp 28V |
| 38-0130090-00 | A616 | Gasket/Spacer |
| 38-0130107-00 | A427-4 A4274 | Gasket, 4 1/4" Spacer |
| 38-0230021-00 | W1283 | Gasket, Position Light Lens |
| 381N-500-S | 381N-500 381N500 | Potentiometer, 1W, 500 OHM |
| 3SNE-094A-72 | 3-SNE-094A-72 3SNE094A-72 | Cable Throttle |
| 428-3-VG | 428-3VG | Sleeve, Crimp |
| 68-2290005-30 | A612 | Lens, Clear |
| 68-4230020-40 | W1284-G W1284G | Lens, Green Position Light |
| 68-4230020-50 | W1284-R W1284R | Lens, Red Position Light |
| 68-4250066-30 | A615 | Lens, Clear |
| 6X1/2 | 6RX1/2 | Screw, Self-Tapping |
| 6X3/8 | 6R X 3/8 6RX3/8 | Screw, Self-Tapping |
| 8473RUPH5-L16 | 8473 H5L16 | Seal |
| 8X1/2 | 8RX1/2 1/2 X8 | Screw: Sheet Metal |
| 9276 H1L5 | 9276 | Seal, Oil |
| 97CSX-2 24VDC | W97CSX-2 | Relay, Power, 24V |
| A01787-8Z-1D | A1787-8Z1 A1787-8Z-1 | Nut , Speed, Tinnerman |
| A01789-8Z-1D | A1789-8Z-1 | Nut Tinnerman |
| A06194-8Z-1D | A6194-8Z-1 | Nut Tinnerman |

UNCONTROLLED COPY WHEN DOWNLOADED OR PRINTED

ENSTROM F-28/280 SERIES ILLUSTRATED PARTS CATALOG

TABLE A-1 EQUIVALENT PART NUMBERS

| PART NUMBER | EQUIVALENT PART NUMBERS | DESCRIPTION |
|---------------------|---------------------------------|---------------------------------|
| A-700RD1180 | A700RD11800 A-700 | Cable, Shutoff |
| AN515B6R10 | AN515-B6R10 | Screw, Machine |
| ANL-100 | ANL100 | Low Voltage Limiter |
| ANL-150 | ANL150 | Low Voltage Limiter |
| ANL-35 | ANL35 | Low Voltage Limiter |
| B-1210 | B1210 | Bearing: Needle |
| CCR264-3-3 | CCR-264 SS-3-3 | Rivet |
| CR 17240 | 17240 | Seal: Retention |
| CR3212-4-02 | CR3212-4-2 | Rivet |
| CR3213-4-02 | CR3213-4-2 | Rivet |
| CR3213-6-3 | CR3213-6-03 | Rivet |
| CRWI14809 | 14809 | Seal: Oil |
| FN22M-624 | FN-22M-624 | Nut, Lock |
| GCSG501-2 | GCSG 501-2 | Control Unit: Starter Generator |
| G08DU | DU-08 DU08 08DU | Thrust Washer |
| HD6158510090030 | HD6158-510-090-030 | Switch, Ignition |
| HFLVV3M | HFLVV-3M | Rod End |
| HFVV3M | HFVV-3M | Rod End |
| HGVV3M | HGVV-3M | Rod End |
| HM3M | HM-3M | Rod End |
| HML3M | HML-3M | Rod End |
| HMLVV3M | HMLVV-3M | Rod End |
| HMLVV4M | HMLVV-4M | Rod End |
| HMLVV5M | HMLVV-5M | Rod End |
| HMVV3M | HMVV-3M | Rod End |
| HMVV4M | HMVV-4M | Rod End |
| HMVV5M | HMVV-5M | Rod End |
| IPT-20RT1-1000-150G | IPT-20RT1-1000 | Transducer |
| KA1-N | K1AN | Plunger: Ball |
| KN500B1/8 | KN500B-1/8 | Knob, Aluminum |
| M83248/1-032 | M83248/1032 | O-Ring |
| MOBIL 1 LS 75W-90 | MOBIL 1 75W-90 MOBIL 1 75-90 | Gear Lube |
| MS20002C4 | MS20002-C4 | Washer, Countersunk |

UNCONTROLLED COPY WHEN DOWNLOADED OR PRINTED

ENSTROM F-28/280 SERIES ILLUSTRATED PARTS CATALOG

TABLE A-1 EQUIVALENT PART NUMBERS

| PART NUMBER | EQUIVALENT PART NUMBERS | DESCRIPTION |
|-----------------|--------------------------------------|-------------------------------|
| MS20073-03-04 | MS20073-0304 | Bolt |
| MS21240-08C-12 | MS21240-08C12 | Bearing |
| MS24693-BB52 | MS24693BB52 | Screw, Machine |
| MS24693-S24 | MS24693S24 | Screw, Machine |
| MS24693-S275 | MS24693S275 | Screw, Machine |
| MS24694-S51 | MS24694S51 | Screw, Machine |
| MS24694-S54 | MS24694S54 | Screw, Machine |
| MS24694-S55 | MS24694S55 | Screw, Machine |
| MS24694-S56 | MS24694S56 | Screw, Machine |
| MS24694-S94 | MS24694S94 | Screw, Machine |
| MS24694-S95 | MS24694S95 | Screw, Machine |
| MS24694-S58 | MS24694S58 | Screw, Machine |
| MS20995C32 | MS20995-C32 | Safety Wire |
| NAS1612-2 | NAS1612-2A | O-Ring, E1515-80 |
| NAS1612-8 | NAS1612-8A | O-Ring, E1515-80 |
| NK-500-8R6 | NK500-8R6 NP-500-8R6 NP500-8R6 | Screw Nylok |
| NK-500-8R8 | NK500-8R8 NP-500-8R8 NP500-8R8 | Screw Nylok |
| PCS-111A | PCS111A | Sensor: Programmed Continuity |
| SC628ANPR | SC628ANP | Pulse Horn, Loud Fast Tone |
| SC628WR | SC628W | Sonalert Horn |
| SF96-20 | SF96-20-PT | Oil, Silicone |
| SL61N5P | SL61N-5P | Nut, Lock |
| SL61W5P | SL61W-5P | Washer, Lock |
| ZFD-1094-0-7-32 | ZFD10940732 | Boot: Cyclic, Turbine |

UNCONTROLLED COPY WHEN DOWNLOADED OR PRINTED

ENSTROM F-28/280 SERIES ILLUSTRATED PARTS CATALOG

APPENDIX B

HARDWARE SUBSTITUTIONS

TABLE OF CONTENTS

| | |
|---|------|
| Table of Contents | B-1 |
| 1 Introduction | B-2 |
| 2 Acceptable Substitution Conditions | B-2 |
| 3 Hardware Tables | B-2 |
| Table A – Bolts | B-3 |
| Table B – Screws | B-5 |
| Table C – Nuts | B-8 |
| Table D – Nut Plates | B-9 |
| Table E – Solid Rivets | B-11 |
| Table F – Blind Rivets | B-12 |
| Table G – Washers | B-13 |
| Table H – Rivnuts | B-15 |
| Table I – Turnbuckles | B-15 |
| Table J – Grommets | B-15 |
| Table K – Cotter Pins | B-16 |
| Table L – Clamps (Nylon) | B-17 |
| Table M – Cable Ties | B-17 |
| Table N – U-Channels (Rubber) | B-17 |
| Table O – Shrink Tubing | B-17 |
| Table P – Ring Tongue Terminals | B-18 |
| Table Q – Retaining Rings | B-18 |
| Table R – Cushioned Clamps | B-18 |
| Table S – PlusNuts | B-18 |
| Table T – Solder Sleeve Shield Terminators | B-19 |
| Table U – Pipe Plugs (Countersink Hex Head) | B-19 |
| Table V – Clip Nut | B-19 |
| Table W – Plug and Bleeder – Screw Tread | B-19 |
| Table X – Pin, Retaining, Safety | B-19 |
| Table Y – Quarter Turn Fastener | B-19 |
| Table Z – Quick Disconnect Terminal | B-19 |
| Table AA – Plug (BNC, TNC, N) | B-19 |
| Table AB – Roll Pin | B-19 |
| Table AC – Sleeve, Coupling | B-19 |
| Table AD – Clevis Pin | B-20 |
| Table AE – Quarter (1/4) Turn Fastener Receptacle | B-20 |
| Table AF – Washers, Extended AN960 Listing | B-21 |

ENSTROM F-28/280 SERIES ILLUSTRATED PARTS CATALOG

1. Introduction

This specification establishes the conditions under which hardware may be substituted and lists the specific hardware which may be substituted. These standard substitutions apply only to components and assemblies which are designed by Enstrom and assembled in house. The tables which follow list the substitutions which are permissible. The hardware called out on the drawing is the preferred configuration. Each table contains a left-hand column which lists the basic or preferred hardware. The adjacent column to the right lists the alternate hardware. Alternate hardware may be used as a substitute for the hardware in the left column; however, hardware in the left column may **NOT** be substituted for hardware listed as alternate. In cases where hardware is interchangeable, 'Equivalent Substitution' will be stated in the right-hand column. In the case where there is no substitution, N/A (no alternate) will be stated in the right hand column.

2. Acceptable Substitution Conditions

Hardware may be substituted without further approval when all the following conditions apply:

- The preferred hardware is unavailable.
- There is an acceptable alternate listed in this report.
- All of the other material conditions (hole diameter, material thickness, etc.) are within standard tolerances for the component.

To correct for component stack-up so as to ensure one to three threads showing past the nut, the grip length of the fastener may be substituted without further approval by the following methods:

- The length of rivets, screws, or bolts may be increased or decreased one grip length (a "dash number").
- Washers may be added or subtracted or washer thicknesses may be substituted. Up to a total of three washers may be installed in combination under the head of the bolt and/or nut. (Washer substitutions must be in accordance with standard aircraft practices.)
 - Consult Engineering if it is necessary to remove all the washers or if there is a conflict with the washer requirements on the approved drawing.
- Consult Engineering if a specific hardware installation consistently requires adjustment in accordance with the conditions of this paragraph.

Substitutions may **NOT** be made in fastener diameter without engineering approval. Substitutions may **NOT** be made beyond one grip length or "dash number" without engineering approval.

3. Hardware Tables

Tables for substitute hardware are provided on the following pages. If the substitution is applicable to all dash numbers of a particular part number, it will be represented by a set of open parentheses. For example, AN3-() would indicate that the substitution includes all dash numbers for the AN3 bolt.

ENSTROM F-28/280 SERIES ILLUSTRATED PARTS CATALOG

Table A – Bolts

| BOLT | ALTERNATE | |
|-----------|-----------|--|
| AN173-() | N/A | |
| AN174-() | N/A | |
| AN175-() | N/A | |
| AN176-() | N/A | |
| AN178-() | N/A | |
| AN3 | NAS6603 | |
| -3A | -1 | |
| -10 | D10 | |
| -10A | -10 | |
| -11A | -12 | |
| -12 | D14 | |
| -12A | -14 | |
| -13 | D16 | |
| -13A | -16 | |
| -14A | -18 | |
| -15A | -20 | |
| -16A | -22 | |
| -17A | -24 | |
| -20A | -26 | |
| -21 | D28 | |
| -21A | -28 | |
| -22 | D30 | |
| -22A | -30 | |
| -23A | -32 | |
| -24A | -34 | |
| -26 | D38 | |
| -27A | -40 | |
| -30A | -42 | |
| -31A | -44 | |
| -33A | -48 | |
| -34A | -50 | |
| -4 | D2 | |
| -4A | 2 | |
| -5 | D4 | |
| -5A | -4 | |
| -6 | D6 | |
| -6A | -6 | |
| -7 | D8 | |
| -7A | -8 | |
| H3A | H1 | |
| H4A | H2 | |
| H5A | H4 | |

Table A – Bolts

| | | |
|------|---------|--|
| H6A | H6 | |
| H10 | DH10 | |
| H13A | H16 | |
| AN3 | NAS6703 | |
| C4A | -10 | |
| C10A | D10 | |
| AN4 | NAS6604 | |
| -3A | -1 | |
| -4A | -1 | |
| -5A | -3 | |
| -6A | -5 | |
| -7 | D7 | |
| -7A | -7 | |
| -10A | -9 | |
| -11 | D11 | |
| -11A | -11 | |
| -12 | D13 | |
| -12A | -13 | |
| -13 | D15 | |
| -13A | -15 | |
| -14 | D17 | |
| -14A | -17 | |
| -15 | D19 | |
| -15A | -19 | |
| -16 | D21 | |
| -16A | -21 | |
| -17 | D23 | |
| -17A | -23 | |
| -20 | D25 | |
| -20A | -25 | |
| -21A | -27 | |
| -22A | -29 | |
| -23 | D31 | |
| -23A | -31 | |
| -25A | -36 | |
| -26A | -38 | |
| -27A | -40 | |
| -30A | -42 | |
| -31A | -44 | |
| -33A | -48 | |
| -34A | -50 | |
| -35A | -52 | |
| -36 | D54 | |

UNCONTROLLED COPY WHEN DOWNLOADED OR PRINTED

ENSTROM F-28/280 SERIES ILLUSTRATED PARTS CATALOG

Table A – Bolts

| | | |
|-----------|---------|--|
| -36A | -54 | |
| -37 | D56 | |
| -37A | -56 | |
| -42A | -62 | |
| H3A | H1 | |
| H4A | H1 | |
| H5A | H3 | |
| H6A | H5 | |
| H7A | H7 | |
| H10A | H9 | |
| H12A | H13 | |
| H13A | H15 | |
| H14A | H17 | |
| H15A | H19 | |
| H16A | H21 | |
| AN4 | NAS6704 | |
| C5A | -3 | |
| AN42BC11A | N/A | |
| AN42BC14A | N/A | |
| AN5 | NAS6605 | |
| -4A | -1 | |
| -6A | -5 | |
| -7 | D7 | |
| -10 | D9 | |
| -11 | D11 | |
| -11A | -11 | |
| -12 | D13 | |
| -13 | D15 | |
| -13A | -15 | |
| -15 | D19 | |
| -15A | -19 | |
| -16 | D21 | |
| -16A | -21 | |
| -17A | -23 | |
| -21A | -27 | |
| -22 | D29 | |
| -22A | -29 | |
| -33A | -48 | |
| -35A | -52 | |
| -37A | -56 | |
| -44A | -65 | |

Table A – Bolts

| | | |
|-----------------------|----------------|----------------------------|
| H4A | H1 | |
| H5A | H3 | |
| H6A | H5 | |
| H7A | H7 | |
| H10A | H9 | |
| H46A | H69 | |
| AN5 | NAS6705 | |
| C13A | -15 | |
| AN6 | NAS6606 | |
| -6A | -3 | |
| -7A | -5 | |
| -10A | -7 | |
| -11A | -9 | |
| -20A | -23 | |
| -22 | D25 | |
| -22A | -25 | |
| -23A | -29 | |
| -24A | -31 | |
| -27A | -38 | |
| -30A | -40 | |
| -33 | D46 | |
| H6A | H3 | |
| H34A | -48 | |
| AN7 | NAS6607 | |
| -27A | -38 | |
| H7A | -5 | |
| AN73() | MS20073-03-() | |
| AN74() | MS20073-04-() | |
| AN75() | MS20073-05-() | |
| AN76() | MS20073-06-() | |
| AN73A() ¹ | MS20074-03-() | Equivalent Substitution |
| AN74A() ¹ | MS20074-04-() | |
| AN75A() ¹ | MS20074-05-() | |
| AN76A() ¹ | MS20074-06-() | |
| AN8 | NAS6608 | |
| -10A | -5 | |
| LWB-22-6-58 | N/A | |
| MS20006-() | N/A | |
| MS20074-() | N/A | |
| MS21250-() | N/A | |
| MS24677-() | N/A | |

¹ Coarse thread

ENSTROM F-28/280 SERIES ILLUSTRATED PARTS CATALOG

Table A – Bolts

| | | |
|-------------|------------|--|
| NAS144 | MS20004 | |
| DH10 | H4 | |
| DH12 | H4 | |
| NAS146 | MS20006 | |
| DH22 | H12 | |
| DH24 | H14 | |
| NAS1004-() | N/A | |
| NAS1103-11 | NAS6203-11 | |
| NAS1104 | NAS6204 | |
| -9D | -9D | |
| -12 | -12 | |
| NAS1204-40D | N/A | |
| NAS1306 | NAS6606 | |
| -8 | -8 | |
| -48 | -48 | |
| NAS428-() | N/A | |
| NAS6203-() | N/A | |
| NAS6204-() | N/A | |
| NAS6205-() | N/A | |
| NAS6206-() | N/A | |
| NK-6-6A | N/A | |
| NP5-6A | N/A | |

Table B – Screws

| SCREW | ALTERNATE | |
|-----------|-------------|--|
| AN502 | NAS1101 | |
| -10-8 | -3-8 | |
| -10-10 | -3-10 | |
| -10-12 | -3-12 | |
| -10-14 | -3-14 | |
| -10-18 | -3-18 | |
| AN503 | NAS1101 | |
| -8-4 | -08-4 | |
| -8-6 | -08-6 | |
| -8-8 | -08-8 | |
| -10-6 | N/A | |
| -10-8 | N/A | |
| -10-10 | N/A | |
| -10-18 | N/A | |
| -416-10 | N/A | |
| -416-28 | N/A | |
| AN505-4R6 | MS35190-223 | |

Table B – Screws

| | | |
|-----------|-------------|--|
| AN505-4R7 | MS35190-224 | |
| AN507 | MS24693 | |
| -632-12 | -S30 | |
| -632R4 | -S24 | |
| -632R5 | -S25 | |
| -632R6 | -S26 | |
| -632R7 | -S27 | |
| -632R8 | -S28 | |
| -632R12 | -S30 | |
| -632R14 | -S31 | |
| -632R16 | -S32 | |
| -632R24 | -S36 | |
| -8-8 | -S50 | |
| -8R6 | -S48 | |
| -8R7 | -S49 | |
| -832-9 | -S61 | |
| -832R7 | -S49 | |
| -832R8 | -S50 | |
| -832R9 | -S51 | |
| -832R10 | -S51 | |
| -832R11 | -S52 | |
| -1032R6 | -S270 | |
| -1032R8 | -S272 | |
| -1032R10 | -S273 | |
| -1032R14 | -S275 | |
| -1032R44 | -S287 | |
| B632R6 | -BB26 | |
| B832R6 | -B48 | |
| B832R10 | -B51 | |
| C632R8 | -C28 | |
| C832-12 | -C52 | |
| C832R8 | -C50 | |
| C832R14 | -C53 | |
| C832R16 | -C54 | |
| C832R18 | -C55 | |
| C1024R14 | -C75 | |
| C1032-12 | -C274 | |

UNCONTROLLED COPY WHEN DOWNLOADED OR PRINTED

ENSTROM F-28/280 SERIES ILLUSTRATED PARTS CATALOG

Table B – Screws

| | | |
|---------|---------|--|
| AN509 | MS24694 | |
| -8R4 | -S1 | |
| -8R5 | -S2 | |
| -8R6 | -S3 | |
| -8R7 | -S4 | |
| -8R8 | -S5 | |
| -8R9 | -S6 | |
| -8R10 | -S7 | |
| -8R14 | -S11 | |
| -8R16 | -S13 | |
| -8R18 | -S15 | |
| -8R20 | -S17 | |
| -10R10 | -S52 | |
| -10R16 | -S58 | |
| -10R38 | -S80 | |
| -516R16 | -S148 | |
| AN510 | MS35199 | |
| B10R10 | -56 | |
| AN515 | MS35206 | |
| -2R4 | -203 | |
| -4-20 | -222 | |
| -4R8 | -217 | |
| -4R10 | -218 | |
| -4R12 | -219 | |
| -5R6 | N/A | |
| -6-3 | -225 | |
| -6-6 | -228 | |
| -6-7 | -229 | |
| -6-24 | -236 | |
| -6R4 | -226 | |
| -6R5 | -227 | |
| -6R6 | -228 | |
| -6R7 | -229 | |
| -6R8 | -230 | |
| -6R11 | -232 | |
| -6R18 | -328 | |
| -8-7 | -244 | |
| -8-8 | -245 | |
| -8-10 | -246 | |
| -8-16 | -249 | |
| -8-24 | -251 | |
| -8R5 | -242 | |
| -8R6 | -243 | |

Table B – Screws

| | | |
|------------|--------------|------------------------|
| -8R7 | -244 | |
| -8R8 | -245 | |
| -8R10 | -246 | |
| -8R12 | -247 | |
| -8R14 | -248 | |
| -8R16 | -249 | |
| -8R18 | -332 | |
| -8R20 | -250 | |
| -8R24 | -251 | |
| -8R32 | -253 | |
| -10R8 | -263 | |
| 10R10 | -264 | |
| AN515 | MS35214 | |
| B6R6 | -25 | |
| B6R7 | -26 | |
| B6R8 | -27 | |
| B6R10 | -28 | |
| B6R12 | -29 | |
| B6R14 | -30 | |
| B6R16 | -31 | |
| AN515 | MS35214 | |
| B6R18 | -109 | |
| B8R8 | -42 | |
| B8R12 | -44 | |
| AN515 | MS51957 | |
| C6R12 | -32 | |
| C8R5 | -42 | |
| AN520-() | MS35207-() | |
| AN520B() | MS35215-() | |
| AN520C() | MS51958-() | |
| AN520DD() | MS35219-() | |
| AN520PB() | MS35215-()C | |
| AN525 | MS27039 | |
| -10-7 | -1-06 | Use washer under head. |
| -10-8 | -1-08 | |
| -10R4 | -1-04 | |
| -10R6 | -1-06 | |
| -10R7 | -1-07 | |
| -10R8 | -1-08 | |
| -10R10 | -1-10 | |
| -10R12 | -1-12 | |
| -10R14 | -1-14 | |

UNCONTROLLED COPY WHEN DOWNLOADED OR PRINTED

ENSTROM F-28/280 SERIES ILLUSTRATED PARTS CATALOG

Table B – Screws

| | | | |
|----------|---------|------------------------|------------------------|
| -10R16 | -1-16 | Use washer under head. | |
| -10R18 | -1-18 | | |
| -10R24 | -1-24 | | |
| -416R8 | -4-08 | | |
| -416R10 | -4-10 | | |
| -416R12 | -4-12 | | |
| -832-6 | -0806 | | |
| -832R4 | -0804 | | |
| -832R6 | -0806 | | |
| -832R7 | -0807 | | |
| -832R8 | -0808 | | |
| -832R10 | -0810 | | |
| -832R14 | -0814 | | |
| -832R16 | -0816 | | |
| -832R18 | -0818 | | |
| -832R20 | -0820 | | |
| -832R22 | -0822 | | |
| -832R24 | -0824 | | |
| AN526 | MS35206 | | |
| -632-4 | -226 | | Use washer under head. |
| -632-5 | -227 | | |
| -632R5 | -227 | | |
| -632R6 | -228 | | |
| -632R7 | -229 | | |
| -632R8 | -230 | | |
| -632R10 | -231 | | |
| -632R12 | -232 | | |
| -632R16 | -234 | | |
| -632R22 | -329 | | |
| -632R30 | -361 | | |
| AN526 | AN525 | | |
| -832-6 | -832R6 | | |
| -832R6 | -832R6 | | |
| -832-7 | -832R7 | | |
| -832R8 | -832R8 | | |
| -832R10 | -832R10 | | |
| -832R12 | -832R12 | | |
| -832R16 | -832R16 | | |
| -1032-8 | -10-8 | | |
| -1032R6 | -10R6 | | |
| -1032R9 | -10R9 | | |
| -1032R12 | -10R12 | | |

Table B – Screws

| | | |
|-------------|--------------|-------------------------|
| C1032R5 | -10R5 | Use washer under head. |
| C1032R12 | -10R12 | |
| AN526 | MS51957 | |
| C832R8 | -45 | Self-Tapping |
| C832R10 | -46 | |
| C832R12 | -47 | |
| AN530 | MS51861 | |
| -4-6 | -14 | Self-Tapping |
| -6-6 | -24 | |
| -6-8 | -25 | |
| -6R6 | -24 | |
| -6R8 | -25 | |
| -6R10 | -26 | |
| -8R6 | -34 | |
| -8R8 | -35 | |
| AN531 | MS51862 | |
| -6-6 | -13 | Self-Tapping |
| -6R6 | -13 | |
| -6R8 | -14 | |
| -6R10 | -15 | |
| AN535-() | MS21318-() | |
| BN4CPK5 | N/A | |
| MS16998-() | N/A | |
| MS18063-8 | 25274N | |
| MS18066-() | N/A | |
| MS24693-() | N/A | |
| MS24694-() | N/A | |
| MS27039-() | N/A | |
| MS35206-() | N/A | |
| MS35214-() | N/A | |
| MS35265-() | N/A | |
| MS51957-() | N/A | |
| NP500-() | NK500-() | Equivalent Substitution |
| NP501-() | NK501-() | |
| NP509-() | NK509-() | |
| NP510-() | NK510-() | |
| NP525-() | NK525-() | |
| PK86XA() | N/A | |
| PK89XA() | N/A | |
| 4122080-19 | NAS1352-08H6 | |

UNCONTROLLED COPY WHEN DOWNLOADED OR PRINTED

ENSTROM F-28/280 SERIES ILLUSTRATED PARTS CATALOG

Table C - Nuts

| NUT | ALTERNATE | |
|------------|---------------|-------------------------|
| AN310-5 | MS17825-5 | |
| AN315-() | N/A | |
| AN316-() | N/A | |
| AN320-() | N/A | |
| AN335-420 | MS51967-2 | |
| AN340 | MS35649 | |
| -4 | -242 | |
| -8 | -282 | |
| -632 | -262 | |
| -832 | -282 | |
| B832 | -286B | |
| AN341-516 | MS35650-3315T | |
| AN345 | MS35650 | |
| -10 | -302 | |
| C416 | -3254 | |
| AN350-1032 | MS35426-13 | |
| AN363-524 | MS21045L5 | |
| AN364-() | MS20364-() | Equivalent Substitution |
| AN364-() | MS21083 | |
| -428A | N4 | |
| -524A | N5 | |
| -624A | N6 | |
| -632A | N06 | |
| -820A | N8 | |
| -832A | N08 | |
| -1018A | N10 | |
| -1032A | N3 | |
| -1216A | N12 | |
| AN365-() | MS21044 | |
| -428A | N4 | |
| -524A | N5 | |
| -624A | N6 | |
| -632A | N06 | |
| -832A | N08 | |
| -1032A | N3 | |
| AN365-() | MS20365-() | Equivalent Substitution |
| AN818-() | AN818-()J | |
| AN924-()D | AN924-()W | |
| FN-22M-624 | N/A | |
| F12NE-4717 | MS17826 | |

Table C - Nuts

| | | |
|-------------|----------------|--|
| -02 | -3 | |
| -048 | -4 | |
| -054 | -5 | |
| -064 | -6 | |
| -070 | -7 | |
| -080 | -8 | |
| F12NE-4753 | MS17825 | |
| -02 | -3 | |
| -048 | -4 | |
| -054 | -5 | |
| -064 | -6 | |
| -080 | -8 | |
| MS17826-() | N/A | |
| MS20364-() | MS21083N() | |
| MS20365-() | MS21044N() | |
| MS20500-() | N/A | |
| MS21042-() | N/A | |
| MS21043-() | N/A | |
| MS21044-() | N/A | |
| MS51922-1 | M45913/2-4CG5C | |
| NAS509-() | N/A | |
| NAS679-() | N/A | |
| 22NKM() | N/A | |
| 37FL624 | N/A | |

UNCONTROLLED COPY WHEN DOWNLOADED OR PRINTED

ENSTROM F-28/280 SERIES ILLUSTRATED PARTS CATALOG

Table D – Nut Plates

| NUT PLATE | ALTERNATE | |
|----------------|------------|---|
| A1784-6Z1D | NAS395-6 | |
| A1785-6Z-1 | NAS395-7 | |
| A1787-8Z1D | NAS395-18 | |
| A1789-8Z-1 | NAS395-16 | |
| A6162-8Z-1 | NAS444-14 | |
| A6191-8Z-1 | NAS444-4 | |
| A6194-8Z-1 | NAS445-4 | |
| A6195-6Z-1 | NAS444-2 | |
| A6195-8Z-1 | NAS444-5 | |
| A6196-8Z-1 | NAS445-5 | |
| F22LHA27M22-62 | N/A | |
| F22NA1 | MS21078 | |
| -02 | -3 | Equivalent Substitution |
| -048 | -4 | |
| -62 | -06 | |
| -82 | -08 | |
| -82BC | -08K | |
| F22NA17A | MS21080 | |
| -02 | -3 | Equivalent Substitution |
| -048 | -4 | |
| -62 | -06 | |
| -82 | -08 | |
| F22NA17 | NAJ17 | |
| -02BC | -02BC | 2 |
| -62 | -62 | |
| -62BC | -62BC | |
| -82 | -82 | |
| -82BC | -82BC | |
| MS21055L3 | N/A | |
| MS21059L08K | MS21059L08 | Nutplate attachment rivet use NAS1097AD3 ³ |
| MS21069-08K | MS21069-08 | |
| MS21073-() | N/A | |
| MS21075L() | NAS1068() | Equivalent Substitution |

Table D – Nut Plates

| | | |
|-------------|-------------|---|
| MS21078 | F22NA1 | |
| -3 | -02 | Equivalent Substitution |
| -4 | -048 | |
| -06 | -62 | |
| -08 | -82 | |
| -08K | -82BC | |
| MS21078 | MS21078 | |
| -3K | -3 | Nutplate attachment rivet use NAS1097AD3 ⁴ |
| -4K | -4 | |
| -08K | -08 | |
| MS21078 | NAJ1 | |
| -06 | -62 | 5 |
| -06K | -62BC | |
| -08 | -82 | |
| -08K | -82BC | |
| -3 | -02 | |
| -3K | -02BC | |
| MS21080 | MS21080 | |
| -3K | -3 | Nutplate attachment rivet use NAS1097AD3 ⁶ |
| -4K | -4 | |
| -08K | -08 | |
| NAJ17-02BC | MS21080-3K | |
| NAJ38-82BC | NAS1024D08K | |
| NAJ5-048 | NAS1027D4 | |
| NAS1023-() | MS21078-() | Equivalent Substitution |
| | | |
| NAS1023 | NAJ1 | |
| D06 | -62 | 7 |
| D06K | -62BC | |
| D08 | -82 | |
| D08K | 82BC | |

² Equivalent Substitution is permissible when the NAJ() nut plate is unavailable.

³ Minimum sheet thickness .025

⁴ Minimum sheet thickness .025

⁵ Equivalent Substitution is permissible when the NAJ() nut plate is unavailable.

⁶ Minimum sheet thickness .025

⁷ Equivalent Substitution is permissible when the NAJ() nut plate is unavailable.

UNCONTROLLED COPY WHEN DOWNLOADED OR PRINTED

ENSTROM F-28/280 SERIES ILLUSTRATED PARTS CATALOG

Table D – Nut Plates

| | | |
|----------------|-------------|--|
| NAS1023D08K | NAS1023D08 | Nutplate attachment rivet use NAS1097AD3 ⁸ |
| NAS1023D08K | MS21078-08K | |
| NAS1024D08K | NAS1024D08 | Nutplate attachment rivet use NAS1097AD3 ⁹ |
| NAS1025D06K | NAJ17-62BC | |
| NAS1025D08K | NAS1025D08 | Nutplate attachment rivet use NAS1097AD3 ¹⁰ |
| NAS1024D08K | NAS1024N08K | |
| NAS1024N08K | NAS1024A08K | |
| NAS1024N08K | MS21078-08 | Use with NAS500WKD8 nutplate spacer. |
| NAS1025 | NAJ17 | |
| D3K | -02BC | 11 |
| D06 | -62 | |
| D06K | -62BC | |
| D08 | -82 | |
| D08K | -82BC | |
| NAS1026N08K | NAS1026A08K | |
| NAS1033N06 | N/A | |
| NAS1474A3 | N/A | |
| NAS686() | MS21059() | Equivalent Substitution |
| 12LHTA1M-62 | MS21069-06 | Equivalent Substitution |
| 12LHTA1M-62BC | MS21069-06K | |
| 12LHTA17M-62 | MS21071-06 | |
| 12LHTA17M-62BC | MS21071-06K | |
| 22NA17A-02 | F22NA17A | Equivalent Substitution |

Table D – Nut Plates

| | | |
|----------------|-------------|-------------------------|
| 22NA17A-02 | MS21080-3 | 12 |
| 22NA17A-82BC | F22NA17A | Equivalent Substitution |
| 22NA17A-82BC | MS21080-08K | 13 |
| 22NA21-22-02 | N/A | |
| 22NA21-22-048 | N/A | |
| 22NA27-22-02 | F22NA27 | Equivalent Substitution |
| 22NA27-22-02 | NAS1033N3 | |
| 22NA27-68-02 | F22NA27 | Equivalent Substitution |
| 22NA27-68-02 | NAS1033D3 | 14 |
| 22NA217-22-048 | NAS1032P4 | |
| 52LHTA51-M82 | MS21069-08 | |
| 52LHTA51M-82BC | MS21069-08K | |
| 68NA1-02 | NAS1023D3 | |
| 68NA1-048 | F22NA1-048 | |
| 68NA1-62BC | NAS1023D06K | |
| 68NA17A-82 | NAS1025D08 | |
| 68-NA21-68-02 | NAS686A3 | |

⁸ Minimum sheet thickness .025

⁹ Minimum sheet thickness .025

¹⁰ Minimum sheet thickness .025

¹¹ Equivalent Substitution is permissible when the NAJ() nut plate is unavailable.

¹² "F" prefix (Type II cadmium plate) is also an acceptable alternate to original finish (Type I cadmium plate).

¹³ "F" prefix (Type II cadmium plate) is also an acceptable alternate to original finish (Type I cadmium plate).

¹⁴ "F" prefix (Type II cadmium plate) is also an acceptable alternate to original finish (Type I cadmium plate).

UNCONTROLLED COPY WHEN DOWNLOADED OR PRINTED

ENSTROM F-28/280 SERIES ILLUSTRATED PARTS CATALOG

Table E – Solid Rivets

| SOLID RIVET | ALTERNATE | |
|--------------|--------------|----------------------------|
| AN426A() | MS20426A() | Equivalent |
| AN426AD() | MS20426AD() | Substitution |
| AN427M4-7 | MS20427M-7 | Equivalent Substitution |
| AN470A() | MS20470A() | Equivalent |
| AN470AD() | MS20470AD() | Substitution |
| MS20427M-7 | AN427M4-7 | |
| MS20435M3-8 | MS20615-3M8 | |
| MS20615-() | N/A | |
| NAS1097AD() | N/A | Nutplate Rivet |

ENSTROM F-28/280 SERIES ILLUSTRATED PARTS CATALOG

Table F – Blind Rivets

| BLIND RIVET | ALTERNATE | |
|-------------|-----------|----------------|
| CCR264SS | MS20605S | |
| -3-02 | -3-W2 | |
| -3-03 | -3-W3 | |
| -3-04 | -3-W4 | |
| -3-05 | -3-W5 | |
| CCR274SS() | N/A | Nutplate Rivet |
| CR2163 | NAS1398D | |
| -4-02 | -4-2 | |
| -4-04 | -4-4 | |
| CR2249 | NAS1738B | |
| -5-02 | -5-2 | |
| -5-03 | -5-3 | |
| -5-06 | -5-6 | |
| -5-07 | -5-7 | |
| -5-08 | -5-8 | |
| CR3212 | NAS9302B | |
| -4-02 | -4-2 | |
| -4-03 | -4-3 | |
| -4-04 | -4-4 | |
| -4-05 | -4-5 | |
| -5-02 | -5-2 | |
| -5-03 | -5-3 | |
| CR3213 | NAS9301B | |
| -4-01 | -4-1 | |
| -4-02 | -4-2 | |
| -4-03 | -4-3 | |
| -4-04 | -4-4 | |
| -4-05 | -4-5 | |
| -4-06 | -4-6 | |
| -4-07 | -4-7 | |
| -4-09 | -4-9 | |
| -5-02 | -5-2 | |
| -5-03 | -5-3 | |
| -5-04 | -5-4 | |
| -6-02 | -6-2 | |
| -6-03 | -6-3 | |
| -6-04 | -6-4 | |
| -6-05 | -6-5 | |
| CR3243-() | N/A | |

Table F – Blind Rivets

| | | |
|----------------------|--------------|-------------------------|
| CR3523-() | N/A | |
| CR3552-() | N/A | |
| CR9162-4-2 | MS20601AD4W2 | |
| CR9163 | MS20600 | |
| -4-01 | AD4W4 | |
| -4-02 | AD4W2 | |
| -4-03 | AD4W3 | |
| MS20426() | CCR264SS() | Nutplate Rivet |
| NAS1097() | CCR244SS() | Nutplate Rivet |
| NAS1398D5A2 | RV1200-5-2 | Equivalent Substitution |
| NAS1738() | N/A | |
| RV1200-5-2 | NAS1398D5A2 | Equivalent Substitution |
| SD42BS ¹⁵ | CCP-42 | |
| SD44BS ¹⁶ | CCP-44 | |

¹⁵ Commercial Product: SD42BS equivalents include SB4-2, SS D42, SSP-42, SS42F, S/S 42D and 4-2SSD

¹⁶ Commercial Product: SD44BS equivalents include SB4-4, SS D44, SSP-44, SS44F, S/S 44D and 4-SSD

UNCONTROLLED COPY WHEN DOWNLOADED OR PRINTED

ENSTROM F-28/280 SERIES ILLUSTRATED PARTS CATALOG

Table G – Washers

| WASHER | ALTERNATE | |
|---------------------|-----------|----------------------------|
| AN935 | MS35338 | |
| -4 | -40 | Equivalent Substitution |
| -6 | -41 | |
| -8 | -42 | |
| -8L | -42 | |
| B8L | -99 | |
| -10 | -43 | |
| -416 | -44 | |
| -416L | -44 | |
| AN936 | MS35333 | |
| A6 | -37 | Equivalent Substitution |
| A8 | -38 | |
| A10 | -39 | |
| A416 | -40 | |
| A516 | -41 | |
| A616 | -42 | |
| A716 | -43 | |
| A816 | -44 | |
| A1216 | -47 | |
| -B4 | -29 | |
| AN940-13 | MS27183-1 | |
| AN960 ¹⁷ | NAS1149 | |
| -3L | FN316P | Equivalent Substitution |
| -4L | FN416P | |
| -6 | FN632P | |
| -6L | FN616P | |
| -8 | FN832P | |
| -8L | FN816P | |
| -10 | F0363P | |
| -10L | F0332P | |
| -416 | F0463P | |
| -416L | F0432P | |
| -516 | F0563P | |
| -516L | F0532P | |
| -616 | F0663P | |
| -616L | F0632P | |
| -716 | F0763P | |
| -716L | F0732P | |
| -816 | F0863P | |

Table G – Washers

| | | |
|-----------|--------|----------------------------|
| -916 | F0963P | Equivalent Substitution |
| -1216L | F1232P | |
| B6 | BN632H | |
| B8 | BN832H | |
| B416L | N/A | |
| C6 | CN632R | |
| C10 | C0363R | |
| C10L | C0332R | |
| C416 | C0463R | |
| C416L | C0432R | |
| C516 | C0563R | |
| C516L | C0532R | |
| C616L | C0632R | |
| C816 | C0863R | |
| C1216 | C1290R | |
| C1616 | C1690R | |
| CD6L | N/A | |
| D3L | DN316H | |
| D10 | D0363H | |
| D10L | D0316H | |
| D416 | D0463H | |
| D416L | D0416H | |
| D516 | D0563H | |
| D516L | D0516H | |
| D616 | D0663H | |
| D616L | D0616H | |
| D6L | DN616H | |
| D8 | DN832H | |
| D8L | DN816H | |
| D9 | DN949H | |
| KD10L | D0332K | |
| PD8L | DN816J | |
| PD10 | D0363J | |
| PD10L | D0316J | |
| PD416 | D0463J | |
| PD416L | D0416J | |
| AN960 | NAS620 | Equivalent Substitution |
| AN970-() | N/A | |
| AN975-() | N/A | |

¹⁷ See Table AF for complete listing.

ENSTROM F-28/280 SERIES ILLUSTRATED PARTS CATALOG

Table G – Washers

| | | |
|-------------|-----------------------|----------------------------|
| HARPER | BOKER'S | |
| 3/16 | C145712 ¹⁸ | Equivalent Substitution |
| 1/4 | C102780 ¹⁹ | |
| 3/8 | C102781 ²⁰ | |
| HARPER | ECD050 | |
| 3/16 | -21 ²¹ | Equivalent Substitution |
| 1/4 | -11 ²² | |
| 5/16 | -19 ²³ | |
| 3/8 | -15 ²⁴ | |
| 5/8 | -17 ²⁵ | |
| BOKER'S | ECD050 | |
| C102780 | -11 | Equivalent Substitution |
| C102781 | -15 | |
| C145712 | -21 | |
| C162187 | -11 | |
| C162188 | -13 | |
| C162189 | -15 | |
| C162190 | -17 | |
| C162191 | -19 | |
| C172152 | -23 | |
| C173300 | -25 | |
| MS20002-() | N/A | |
| MS27183-1 | AN940-13 | |
| MS35333 | AN936 | |
| -37 | A6 | Equivalent Substitution |
| -38 | A8 | |
| -39 | A10 | |
| -40 | A416 | |
| -41 | A516 | |
| -42 | A616 | |
| -43 | A716 | |
| -44 | A816 | |
| -47 | A1216 | |
| -29 | -B4 | |

Table G – Washers

| | | |
|------------|--------|----------------------------|
| MS35338 | AN935 | |
| -40 | -4 | Equivalent Substitution |
| -41 | -6 | |
| -42 | -8 | |
| -42 | -8L | |
| -99 | B8L | |
| -43 | -10 | |
| -44 | -416L | |
| MS51859-15 | N/A | |
| NAS1149 | NAS620 | Equivalent Substitution |

¹⁸ 0.688" OD x 0.203" ID x 0.041", 304 Stainless Steel

¹⁹ 0.69" OD x 0.265" ID x 0.048", 304 Stainless Steel

²⁰ 1.00" OD x 0.392" ID x 0.062", 316 Stainless Steel

²¹ 0.688" OD x 0.203" ID x 0.041", 304 Stainless Steel

²² 0.69" OD x 0.265" ID x 0.048", 304 Stainless Steel

²³ 0.875" OD x 0.337" ID x 0.062", 316 Stainless Steel

²⁴ 1.00" OD x 0.392" ID x 0.062", 316 Stainless Steel

²⁵ 0.625" OD x 0.260" ID x 0.062", 316 Stainless Steel

UNCONTROLLED COPY WHEN DOWNLOADED OR PRINTED

ENSTROM F-28/280 SERIES ILLUSTRATED PARTS CATALOG

Table H - Rivnuts

| RIV NUT | ALTERNATE | |
|---------|-------------|-------------------------|
| A8K75 | MS27130A13K | Equivalent Substitution |
| A10K | MS27130 | |
| 80 | A25K | Equivalent Substitution |
| 116 | A99K | |
| 130 | A26K | |
| 166 | A100K | |
| 216 | A101K | |
| MS27130 | A10K | |
| A25K | 80 | Equivalent Substitution |
| A99K | 116 | |
| A26K | 130 | |
| A100K | 166 | |
| A101K | 216 | |
| MS27130 | NAS1329 | |
| A13K | A8K75 | Equivalent Substitution |
| A25K | A3K80 | |
| A26K | AK130 | |
| MS27130 | NAS1330 | |
| A99K | A3K116 | Equivalent Substitution |
| A100K | A3K166 | |
| A101K | A3K216 | |
| NAS1329 | MS27130 | |
| A8K75 | A13K | Equivalent Substitution |
| A3K80 | A25K | |
| AK130 | A26K | |
| NAS1330 | MS27130 | |
| A3K116 | A99K | Equivalent Substitution |
| A3K166 | A100K | |
| A3K216 | A101K | |

Table I - Turnbuckles

| TURN BUCKLE | ALTERNATE | |
|-------------|-----------|--|
| MS21251-() | N/A | |
| MS21256-() | N/A | |

Table J - Grommets

| GROMMETS | ALTERNATE | |
|----------|-----------|--|
| AN931 | MS35489 | |
| -2-9 | -2 | |
| -2-16 | -3 | |
| -3-5 | -4 | |
| -3-9 | -134 | |
| -3-10 | -5 | |
| -4-7 | -6 | |
| -4-12 | -7 | |
| -4-16 | -8 | |
| -5-9 | -9 | |
| -5-12 | -10 | |
| -5-13 | -118 | |
| -6-10 | -11 | |
| -6-16 | -12 | |
| -7-11 | -13 | |
| -8-13 | -14 | |
| -8-20 | -15 | |
| -9-13 | -16 | |
| -10-14 | -17 | |
| -10-20 | -18 | |
| -11-16 | -19 | |
| -12-17 | -20 | |
| -12-20 | -135 | |
| -12-23 | -21 | |
| -12-26 | -120 | |
| -14-20 | -22 | |
| -14-26 | -121 | |
| -16-22 | -23 | |
| -16-30 | -24 | |
| -20-38 | -25 | |
| -20-40 | -26 | |
| -24-28 | -27 | |

ENSTROM F-28/280 SERIES ILLUSTRATED PARTS CATALOG

Table K – Cotter Pins

| COTTER PINS | ALTERNATE | |
|-------------|-----------|--|
| AN381 | MS24665 | |
| -1-6 | N/A | |
| -1-8 | -22 | |
| -1-12 | -24 | |
| -1-16 | -26 | |
| -15-5 | N/A | |
| -15-6 | N/A | |
| -15-7 | N/A | |
| -15-8 | -58 | |
| -15-10 | N/A | |
| -15-12 | -88 | |
| -15-14 | N/A | |
| -15-16 | -90 | |
| -15-20 | -91 | |
| -15-24 | -92 | |
| -15-28 | -93 | |
| -15-32 | -94 | |
| -2-5 | N/A | |
| -2-6 | N/A | |
| -2-7 | -1013 | |
| -2-8 | -151 | |
| -2-10 | -152 | |
| -2-12 | -153 | |
| -2-14 | N/A | |
| -2-16 | -155 | |
| -2-20 | -157 | |
| -2-24 | -159 | |
| -2-28 | -161 | |
| -2-32 | -162 | |
| -25-8 | -227 | |
| -25-10 | N/A | |
| -25-12 | -229 | |
| -25-14 | N/A | |
| -25-16 | -231 | |
| -25-18 | N/A | |
| -25-20 | -233 | |
| -25-22 | N/A | |
| -25-24 | -235 | |
| -25-26 | N/A | |
| -25-28 | -237 | |
| -25-32 | -238 | |

Table K – Cotter Pins

| | | |
|-------|------|--|
| -3-8 | -298 | |
| -3-10 | N/A | |
| -3-12 | -300 | |
| -3-14 | N/A | |
| -3-16 | -302 | |
| -3-18 | N/A | |
| -3-20 | -304 | |
| -3-22 | N/A | |
| -3-24 | -306 | |
| -3-26 | N/A | |
| -3-28 | -308 | |
| -3-32 | -309 | |
| -4-8 | -366 | |
| -4-12 | -368 | |
| -4-14 | N/A | |
| -4-16 | -370 | |
| -4-18 | N/A | |
| -4-20 | -372 | |
| -4-22 | N/A | |
| -4-24 | 374 | |
| -4-26 | N/A | |
| -4-28 | -376 | |
| -4-32 | -377 | |
| -4-36 | -378 | |
| -5-8 | N/A | |
| -5-12 | -436 | |
| -5-16 | -437 | |
| -5-18 | N/A | |
| -5-20 | -439 | |
| -5-22 | N/A | |
| -5-24 | -441 | |
| -5-26 | N/A | |
| -5-28 | -443 | |
| -5-32 | -444 | |
| -5-36 | -445 | |
| -5-40 | -446 | |
| -6-24 | -513 | |
| -6-26 | N/A | |
| -6-28 | -515 | |
| -6-32 | -516 | |
| -6-36 | -517 | |
| -6-40 | -518 | |
| -6-48 | -520 | |

UNCONTROLLED COPY WHEN DOWNLOADED OR PRINTED

ENSTROM F-28/280 SERIES ILLUSTRATED PARTS CATALOG

Table K – Cotter Pins

| | | |
|--------|------|--|
| -7-32 | -580 | |
| -7-36 | -581 | |
| -7-40 | -582 | |
| -8-32 | -640 | |
| -8-36 | -641 | |
| -8-40 | -642 | |
| -8-48 | -643 | |
| -8-56 | -644 | |
| -8-64 | -645 | |
| -10-32 | -701 | |
| -10-36 | -702 | |
| -10-40 | -703 | |

Table L – Clamps (Nylon)

| CLAMPS | ALTERNATE | |
|---------------|---------------|-------------------------|
| 1/8-6NA | CCH12-S10 | |
| 1/4-6NA | CCH25-S10 | |
| 3/8-6NA | CCH38-S10 | |
| 1/2-6NA | CCH50-S10 | |
| 5/8-6NA | CCH62-S10 | |
| 3/4-6NA | CCH75-S10 | |
| 7/8-6NA | CCH87-S10 | |
| 1-6NA | CCH100-S10 | |
| 439-SS4-8-2-6 | NAS1714C3-4NW | Equivalent Substitution |

Table M – Cable Ties

| CABLE TIE | ALTERNATE | |
|--------------------------|-----------------------|-------------------------|
| SST2S-() ²⁶ | CBR3S-M | Equivalent Substitution |
| SST1.5I-() ¹ | CBR3I-M or CBR1.5I-M | |
| SST1M-() ¹ | CBR1M-M or CBR2M-M | |
| ILT2S-M | CBR3S-M | |
| ILT1.5I-M | CBR3I-M CBR1.5I-M | |
| ILT1M-M | CBR1M-M or CBR2M-M | |

Table N – U-Channel (Rubber)

| U-CHANNEL | ALTERNATE | |
|---------------------|--|-------------------------|
| X-142 | AX-142P | Equivalent Substitution |
| X-142 ²⁷ | GE52-C69 GEE36FR-C GEE62FR-C GEE36FR-CY GEE62FR-CY | Equivalent Substitution |

Table O – Shrink Tubing

| SHRINK TUBING | ALTERNATE | |
|--------------------|---------------|-------------------------|
| 3028-3/32 | FIT-221V-3/32 | Equivalent Substitution |
| 3028-1/8 | FIT-221V-1/8 | |
| 3028-1/4 | FIT-221V-1/4 | |
| 3028-3/8 | FIT-221V-3/8 | |
| FIT-221V-1/2 | N/A | |
| FIT-221V-3/4 | N/A | |
| FIT-221V-1 | N/A | |
| FIT-221V-1 1/2 | N/A | |
| FIT221V- 3/16AL | N/A | |

²⁶ Suffix may either be -MP or -P.

²⁷ Substitution to GE() or GEE() permitted only for interior non-aesthetic areas.

ENSTROM F-28/280 SERIES ILLUSTRATED PARTS CATALOG

Table P – Ring Tongue Terminals

| RING TONGUE TERMINAL | ALTERNATE | |
|----------------------|-------------------------|--|
| AA | MS25036 | |
| -820-04 | -148 | |
| -821-06 | -102 | |
| -821-08 | -149 | |
| -821-10 | -103 | |
| -822-10 | -103 | |
| -822-14 | -150 | |
| -822-56 | -104 | |
| -832-06 | -102 | |
| BB | MS25036 | |
| -523-04 | -152 | |
| -525-14 | -154 | |
| -537-04 | -152 | |
| -537-10 | -108 | |
| -818-38 | -110 | |
| -825-14 | -154 | |
| -825-56 | -109 | |
| -837-06 | -107 | |
| -837-08 | -153 | |
| -837-10 | -108 | |
| C | MS25036 | |
| -528-08 | -156 | |
| -528-10 | -112 | |
| -530-56 | -113 | |
| -540-38 | -114 | |
| -828-08 | -156 | |
| -828-10 | -112 | |
| -830-14 | -157 | |
| -830-56 | -113 | |
| -836-06 | -111 | |
| -840-38 | -114 | |
| D | MS25036 | |
| -750-14 | -116 | |
| -751-56 | -117 | |
| -756-06 | 190670035 ²⁸ | |
| -756-08 | 190670037 ³ | |
| E | MS25036 | |
| -360-14 | -120 | |

Table P – Ring Tongue Terminals

| | | |
|----------|---------|--|
| -760-14 | -120 | |
| -760-56 | -121 | |
| -960-56 | -121 | |
| F | MS20659 | |
| -366-14 | -111 | |
| -366-38 | -112 | |
| -366-56 | -132 | |
| -367-10 | -144 | |
| -367-14 | -111 | |
| -367-56 | -132 | |
| G-375-14 | MS20659 | |
| -375-14 | -113 | |
| -375-38 | -114 | |
| -375-56 | -147 | |
| M | MS25036 | |
| -8113-04 | -144 | |
| -8118-06 | -145 | |
| -8118-08 | -146 | |

Table Q – Retaining Rings

| RETAINING RING | ALTERNATE | |
|----------------|----------------------|--|
| N5100-78-S-PP | ON78EXTSP (Meyer) | |
| N5002-268-PP | ON268INVSP | |

Table R – Cushioned Clamps

| CLAMP | ALTERNATE | |
|--------------------------|---------------|--|
| MS21919() ³⁰ | MS21919W() | |
| MS21919DG() | MS21919CJ() | |
| MS21919WDG() | MS21919WCJ() | |

Table S – Plusnuts

| PLUSNUT | ALTERNATE | |
|---------|-----------|----------------------------|
| S8P-270 | S8P270ZK | Equivalent Substitution |

²⁸ ETC/Molex

³⁰MS21919F series clamps not permitted for use or substitution.

ENSTROM F-28/280 SERIES ILLUSTRATED PARTS CATALOG

Table T – Solder Sleeve Shield Terminator

| SOLDER SLEEVE SHIELD TERMINATOR | ALTERNATE | |
|---------------------------------|------------|--|
| ST63-2-00 | M83519/1-2 | |
| ST63-3-00 | M83519/1-3 | |
| ST63-4-00 | M83519/1-4 | |
| ST63-5-00 | M83519/1-5 | |

Table U – Plug, Pipe – Countersink Hex Head

| PLUG, PIPE | ALTERNATE | |
|------------|-------------|--|
| AN932-() | MS27769-() | |

Table V – Clip Nut

| CLIP NUT | ALTERNATE | |
|----------------|------------|--|
| RM52LHA4972802 | 13100000-5 | |

Table W – Plug and Bleeder – Screw Thread

| PLUG AND BLEEDER | ALTERNATE | |
|------------------|------------|--|
| AN814-2D | AS5169D02 | |
| AN814-2DL | AS5169D02L | |
| AN814-3DL | AS5169D03L | |
| AN814-4DL | AS5169D04L | |
| AN814-5DL | AS5169D05L | |
| AN814-6DL | AS5169D06L | |
| AN814-8DL | AS5169D08L | |

Table X – Pin, Retaining, Safety

| PIN, RETAINING, SAFETY | ALTERNATE | |
|------------------------|-------------|--|
| AN416-1 | A-A-55488-1 | |
| AN416-2 | A-A-55488-2 | |

Table Y – Quarter Turn Fastener

| QUARTER TURN FASTENER | ALTERNATE | |
|-----------------------|-------------|--|
| AW4-() | AJW4-() | |
| AW4-() | D4-AJW4-() | |

Table Z – Quick Disconnect Terminal

| TERMINAL | ALTERNATE | |
|----------|------------|-------------------------|
| AA-2201 | 19003-0001 | Equivalent Substitution |
| AA-2202 | 19003-0011 | |
| AA-2204 | 19003-0024 | |
| AA-8137 | 19019-0006 | |
| BB-2206 | 19003-0040 | |
| BB-8132 | 19019-0022 | |
| C-2265 | 19005-0010 | |

Table AA – Plug (BNC, TNC, N)

| PLUG | ALTERNATE | |
|----------|------------|-------------------------|
| 225345-6 | 5-225345-6 | Equivalent Substitution |
| 225392-2 | 5225392-2 | |
| 225395-6 | 5225395-6 | |
| 225395-7 | 5225395-7 | |
| 225396-7 | 5225396-7 | |
| 225554-6 | 5225554-6 | |
| 225699-1 | 5225699-1 | |
| 225973-4 | 5225973-4 | |
| UG-89A/U | 031-5 | |
| | 31-5 | |
| | UG-89/U | |

Table AB – Roll Pin

| ROLL PIN | ALTERNATE | |
|---------------|-------------|--|
| ()S-094-0625 | MS16562-215 | |

Table AC – Sleeve, Coupling

| SLEEVE, COUPLING | ALTERNATE | |
|------------------|--------------|--|
| AN819-() | MS20819-() | |
| MS20819-() | MS20819-()J | |

ENSTROM F-28/280 SERIES ILLUSTRATED PARTS CATALOG

Table AD – Clevis Pin

| CLEVIS PIN | ALTERNATE | |
|------------|---------------|--|
| AN393-() | MS20392-2C() | |
| AN394-() | MS20392-3C() | |
| AN395-() | MS20392-4C() | |

**Table AE – Quarter (1/4) Turn Fastener
Receptacle**

| QUARTER (1/4) TURN FASTENER RECEPTACLE | ALTERNATE | |
|---|---------------|--|
| S4-200 | 1219-4200-Z3Y | |

ENSTROM F-28/280 SERIES ILLUSTRATED PARTS CATALOG

Table AF – Washers, Extended AN960 Listing

| PART NUMBERS | | | | | |
|-----------------------|------------------------|-----------------------|------------------------|-----------------------|------------------------|
| CANCELLED PART NUMBER | SUBSTITUTE PART NUMBER | CANCELLED PART NUMBER | SUBSTITUTE PART NUMBER | CANCELLED PART NUMBER | SUBSTITUTE PART NUMBER |
| AN960-2L | NAS1149FN216P | AN960C2L | NAS1149CN216R | AN960XC2L | NAS1149CN216B |
| AN960-2 | NAS1149FN232P | AN960C2 | NAS1149CN232R | AN960XC2 | NAS1149CN232B |
| AN960-3L | NAS1149FN316P | AN960C3L | NAS1149CN316R | AN960XC3L | NAS1149CN316B |
| AN960-3 | NAS1149FN332P | AN960C3 | NAS1149CN332R | AN960XC3 | NAS1149CN332B |
| AN960-4L | NAS1149FN416P | AN960C4L | NAS1149CN416R | AN960XC4L | NAS1149CN416B |
| AN960-4 | NAS1149FN432P | AN960C4 | NAS1149CN432R | AN960XC4 | NAS1149CN432B |
| AN960-5 | NAS1149FN542P | AN960C5 | NAS1149CN542R | AN960XC5 | NAS1149CN542B |
| AN960-6L | NAS1149FN616P | AN960C6L | NAS1149CN616R | AN960XC6L | NAS1149CN616B |
| AN960-6 | NAS1149FN632P | AN960C6 | NAS1149CN632R | AN960XC6 | NAS1149CN632B |
| AN960-8L | NAS1149FN816P | AN960C8L | NAS1149CN816R | AN960XC8L | NAS1149CN816B |
| AN960-8 | NAS1149FN832P | AN960C8 | NAS1149CN832R | AN960XC8 | NAS1149CN832B |
| AN960-9 | NAS1149FN949P | AN960C9 | NAS1149CN949R | AN960XC9 | NAS1149CN949B |
| AN960-10L | NAS1149F0332P | AN960C10L | NAS1149C0332R | AN960XC10LL | NAS1149C0316B |
| AN960-10 | NAS1149F0363P | AN960C10 | NAS1149C0363R | AN960XC10L | NAS1149C0332B |
| AN960-11 | NAS1149F1165P | AN960C11 | NAS1149C1165R | AN960XC10 | NAS1149C0363B |
| AN960-416L | NAS1149F0432P | AN960C416L | NAS1149C0432R | AN960XC11 | NAS1149C1165B |
| AN960-416 | NAS1149F0463P | AN960C416 | NAS1149C0463R | AN960XC416L | NAS1149C0432B |
| AN960-516L | NAS1149F0532P | AN960C516L | NAS1149C0532R | AN960XC416 | NAS1149C0463B |
| AN960-516 | NAS1149F0563P | AN960C516 | NAS1149C0563R | AN960XC516L | NAS1149C0532B |
| AN960-616LL | NAS1149F0616P | AN960C616LL | NAS1149C0616R | AN960XC516 | NAS1149C0563B |
| AN960-616L | NAS1149F0632P | AN960C616L | NAS1149C0632R | AN960XC616LL | NAS1149C0616B |
| AN960-616 | NAS1149F0663P | AN960C616 | NAS1149C0663R | AN960XC616L | NAS1149C0632B |
| AN960-716L | NAS1149F0732P | AN960C716L | NAS1149C0732R | AN960XC616 | NAS1149C0663B |
| AN960-716 | NAS1149F0763P | AN960C716 | NAS1149C0763R | AN960XC716LL | NAS1149C0716B |
| AN960-816L | NAS1149F0832P | AN960C816L | NAS1149C0832R | AN960XC716L | NAS1149C0732B |
| AN960-816 | NAS1149F0863P | AN960C816 | NAS1149C0863R | AN960XC716 | NAS1149C0763B |
| AN960-916L | NAS1149F0932P | AN960C916L | NAS1149C0932R | AN960XC816L | NAS1149C0832B |
| AN960-916 | NAS1149F0963P | AN960C916 | NAS1149C0963R | AN960XC816 | NAS1149C0863B |
| AN960-1016L | NAS1149F1032P | AN960C1016L | NAS1149C1032R | AN960XC916L | NAS1149C0932B |
| AN960-1016 | NAS1149F1063P | AN960C1016 | NAS1149C1063R | AN960XC916 | NAS1149C0963B |
| AN960-1216L | NAS1149F1232P | AN960C1216L | NAS1149C1232R | AN960XC1016L | NAS1149C1032B |
| AN960-1216 | NAS1149F1290P | AN960C1216 | NAS1149C1290R | AN960XC1016 | NAS1149C1063B |
| AN960-1416L | NAS1149F1432P | AN960C1416L | NAS1149C1432R | AN960XC1216L | NAS1149C1232B |
| AN960-1416 | NAS1149F1490P | AN960C1416 | NAS1149C1490R | AN960XC1216 | NAS1149C1290B |
| AN960-1616L | NAS1149F1632P | AN960C1616L | NAS1149C1632R | AN960XC1416L | NAS1149C1432B |
| AN960-1616 | NAS1149F1690P | AN960C1616 | NAS1149C1690R | AN960XC1416 | NAS1149C1490B |
| AN960-1716L | NAS1149F1732P | AN960C1716 | NAS1149C1790R | AN960XC1616L | NAS1149C1632B |
| AN960-1716 | NAS1149F1790P | AN960C1816 | NAS1149C1890R | AN960XC1616 | NAS1149C1690B |
| AN960-1816L | NAS1149F1832P | AN960C2016 | NAS1149C2090R | AN960XC1716 | NAS1149C1790B |
| AN960-1816 | NAS1149F1890P | AN960C2116 | NAS1149C2190R | AN960XC1816 | NAS1149C1890B |
| AN960-2016L | NAS1149F2032P | AN960C2616 | NAS1149C2690R | AN960XC2016 | NAS1149C2090B |
| AN960-2016 | NAS1149F2090P | AN960C3016 | NAS1149C3090R | AN960XC2116 | NAS1149C2190B |
| AN960-2116L | NAS1149F2132P | AN960C3616 | NAS1149C3690R | AN960XC2616 | NAS1149C2690B |
| AN960-2116 | NAS1149F2190P | AN960C4016 | NAS1149C4090R | AN960XC3016 | NAS1149C3090B |
| AN960-2616L | NAS1149F2632P | | | AN960XC3616 | NAS1149C3690B |
| AN960-2616 | NAS1149F2690P | | | AN960XC4016 | NAS1149C4090B |
| AN960-3016L | NAS1149F3032P | | | | |
| AN960-3016 | NAS1149F3090P | | | | |
| AN960-3616L | NAS1149F3632P | | | | |
| AN960-3616 | NAS1149F3690P | | | | |
| AN960-4016L | NAS1149F4032P | | | | |
| AN960-4016 | NAS1149F4090P | | | | |

UNCONTROLLED COPY WHEN DOWNLOADED OR PRINTED

ENSTROM F-28/280 SERIES ILLUSTRATED PARTS CATALOG

Table AF – Washers, Extended AN960 Listing

| PART NUMBERS | | | | | |
|-----------------------|------------------------|-----------------------|------------------------|-----------------------|------------------------|
| CANCELLED PART NUMBER | SUBSTITUTE PART NUMBER | CANCELLED PART NUMBER | SUBSTITUTE PART NUMBER | CANCELLED PART NUMBER | SUBSTITUTE PART NUMBER |
| AN960JD2L | NAS1149DN216J | AN960B2 | NAS1149BN232H | AN960KD2L | NAS1149DN216K |
| AN960JD | NAS1149DN232J | AN960B3 | NAS1149BN332H | AN960KD2 | NAS1149DN232K |
| AN960JD3L | NAS1149DN316J | AN960B4 | NAS1149BN432H | AN960KD3L | NAS1149DN316K |
| AN960JD3 | NAS1149DN332J | AN960B5 | NAS1149BN542H | AN960KD3 | NAS1149DN332K |
| AN960JD4L | NAS1149DN416J | AN960B6 | NAS1149BN632H | AN960KD4L | NAS1149DN416K |
| AN960JD4 | NAS1149DN432J | AN960B8 | NAS1149BN832H | AN960KD4 | NAS1149DN432K |
| AN960JD5 | NAS1149DN542J | AN960B9 | NAS1149BN949H | AN960KD5 | NAS1149DN542K |
| AN960JD6L | NAS1149DN616J | AN960B10 | NAS1149B0363H | AN960KD6L | NAS1149DN616K |
| AN960JD6 | NAS1149DN632J | AN960B11 | NAS1149B1165H | AN960KD6 | NAS1149DN632K |
| AN960JD8L | NAS1149DN816J | AN960B416 | NAS1149B0463H | AN960KD8L | NAS1149DN816K |
| AN960JD8 | NAS1149DN832J | AN960B516 | NAS1149B0563H | AN960KD8 | NAS1149DN832K |
| AN960JD9 | NAS1149DN949J | AN960B616 | NAS1149B0663H | AN960KD9 | NAS1149DN949K |
| AN960JD10LL | NAS1149D0316J | AN960B716 | NAS1149B0763H | AN960KD10LL | NAS1149D0316K |
| AN960JD10L | NAS1149D0332J | AN960B816 | NAS1149B0863H | AN960KD10L | NAS1149D0332K |
| AN960JD10 | NAS1149D0363J | AN960B916 | NAS1149B0963H | AN960KD10 | NAS1149D0363K |
| AN960JD11 | NAS1149D1165J | AN960B1016 | NAS1149B1063H | AN960KD11 | NAS1149D1165K |
| AN960JD416L | NAS1149D0416J | AN960B1216 | NAS1149B1290H | AN960KD416L | NAS1149D0416K |
| AN960JD416 | NAS1149D0463J | AN960B1416 | NAS1149B1490H | AN960KD416 | NAS1149D0463K |
| AN960JD516L | NAS1149D0516J | AN960B1616 | NAS1149B1690H | AN960KD516L | NAS1149D0516K |
| AN960JD516 | NAS1149D0563J | AN960B1716 | NAS1149B1790H | AN960KD516 | NAS1149D0563K |
| AN960JD616L | NAS1149D0616J | AN960B1816 | NAS1149B1890H | AN960KD616L | NAS1149D0616K |
| AN960JD616 | NAS1149D0663J | AN960B2016 | NAS1149B2090H | AN960KD616 | NAS1149D0663K |
| AN960JD716L | NAS1149D0716J | AN960B2116 | NAS1149B2190H | AN960KD716L | NAS1149D0716K |
| AN960JD716 | NAS1149D0763J | AN960B2616 | NAS1149B2690H | AN960KD716 | NAS1149D0763K |
| AN960JD816L | NAS1149D0816J | AN960B3016 | NAS1149B3090H | AN960KD816L | NAS1149D0816K |
| AN960JD816 | NAS1149D0863J | AN960B3616 | NAS1149B3690H | AN960KD816 | NAS1149D0863K |
| AN960JD916L | NAS1149D0916J | AN960B4016 | NAS1149B4090H | AN960KD916L | NAS1149D0916K |
| AN960JD916 | NAS1149D0963J | | | AN960KD916 | NAS1149D0963K |
| AN960JD1016L | NAS1149D1016J | | | AN960KD1016L | NAS1149D1016K |
| AN960JD1016 | NAS1149D1063J | | | AN960KD1016 | NAS1149D1063K |
| AN960JD1216L | NAS1149D1216J | | | AN960KD1216L | NAS1149D1216K |
| AN960JD1216 | NAS1149D1290J | | | AN960KD1216 | NAS1149D1290K |
| AN960JD1416L | NAS1149D1416J | | | AN960KD1416L | NAS1149D1416K |
| AN960JD1416 | NAS1149D1490J | | | AN960KD1416 | NAS1149D1490K |
| AN960JD1616L | NAS1149D1616J | | | AN960KD1616L | NAS1149D1616K |
| AN960JD1616 | NAS1149D1690J | | | AN960KD1616 | NAS1149D1690K |
| AN960JD1716L | NAS1149D1716J | | | AN960KD1716L | NAS1149D1716K |
| AN960JD1716 | NAS1149D1790J | | | AN960KD1716 | NAS1149D1790K |
| AN960JD1816L | NAS1149D1816J | | | AN960KD1816L | NAS1149D1816K |
| AN960JD1816 | NAS1149D1890J | | | AN960KD1816 | NAS1149D1890K |
| AN960JD2016L | NAS1149D2016J | | | AN960KD2016L | NAS1149D2016K |
| AN960JD2016 | NAS1149D2090J | | | AN960KD2016 | NAS1149D2090K |
| AN960JD2116L | NAS1149D2116J | | | AN960KD2116L | NAS1149D2116K |
| AN960JD2116 | NAS1149D2190J | | | AN960KD2116 | NAS1149D2190K |
| AN960JD2616L | NAS1149D2616J | | | AN960KD2616L | NAS1149D2616K |
| AN960JD2616 | NAS1149D2690J | | | AN960KD2616 | NAS1149D2690K |
| AN960JD3016L | NAS1149D3016J | | | AN960KD3016L | NAS1149D3016K |
| AN960JD3016 | NAS1149D3090J | | | AN960KD3016 | NAS1149D3090K |
| AN960JD3616L | NAS1149D3616J | | | AN960KD3616L | NAS1149D3616K |
| AN960JD3616 | NAS1149D3690J | | | AN960KD3616 | NAS1149D3690K |
| AN960JD4016L | NAS1149D4016J | | | AN960KD4016L | NAS1149D4016K |
| AN960JD4016 | NAS1149D4090J | | | AN960KD4016 | NAS1149D4090K |

UNCONTROLLED COPY WHEN DOWNLOADED OR PRINTED

ENSTROM F-28/280 SERIES ILLUSTRATED PARTS CATALOG

Table AF – Washers, Extended AN960 Listing

| PART NUMBERS | | | |
|--------------------------|---------------------------|--------------------------|---------------------------|
| CANCELLED PART NUMBER | SUBSTITUTE PART NUMBER | CANCELLED PART NUMBER | SUBSTITUTE PART NUMBER |
| AN960PD2L | NAS1149DN216J | AN960D2L | NAS1149DN216H |
| AN960PD2 | NAS1149DN232J | AN960D2 | NAS1149DN232H |
| AN960PD3L | NAS1149DN316J | AN960D3L | NAS1149DN316H |
| AN960PD3 | NAS1149DN332J | AN960D3 | NAS1149DN332H |
| AN960PD4L | NAS1149DN416J | AN960D4L | NAS1149DN416H |
| AN960PD4 | NAS1149DN432J | AN960D4 | NAS1149DN432H |
| AN960PD5 | NAS1149DN542J | AN960D5 | NAS1149DN542H |
| AN960PD6L | NAS1149DN616J | AN960D6L | NAS1149DN616H |
| AN960PD6 | NAS1149DN632J | AN960D6 | NAS1149DN632H |
| AN960PD8L | NAS1149DN816J | AN960D8L | NAS1149DN816H |
| AN960PD8 | NAS1149DN832J | AN960D8 | NAS1149DN832H |
| AN960PD9 | NAS1149DN949J | AN960D9 | NAS1149DN949H |
| AN960PD10L | NAS1149D0316J | AN960D10L | NAS1149D0316H |
| AN960PD10 | NAS1149D0363J | AN960D10 | NAS1149D0363H |
| AN960PD11 | NAS1149D1165J | AN960D11 | NAS1149D1165H |
| AN960PD416L | NAS1149D0416J | AN960D416L | NAS1149D0416H |
| AN960PD416 | NAS1149D0463J | AN960D416 | NAS1149D0463H |
| AN960PD516L | NAS1149D0516J | AN960D516L | NAS1149D0516H |
| AN960PD516 | NAS1149D0563J | AN960D516 | NAS1149D0563H |
| AN960PD616L | NAS1149D0616J | AN960D616L | NAS1149D0616H |
| AN960PD616 | NAS1149D0663J | AN960D616 | NAS1149D0663H |
| AN960PD716L | NAS1149D0716J | AN960D716L | NAS1149D0716H |
| AN960PD716 | NAS1149D0763J | AN960D716 | NAS1149D0763H |
| AN960PD816L | NAS1149D0816J | AN960D816L | NAS1149D0816H |
| AN960PD816 | NAS1149D0863J | AN960D816 | NAS1149D0863H |
| AN960PD916L | NAS1149D0916J | AN960D916L | NAS1149D0916H |
| AN960PD916 | NAS1149D0963J | AN960D916 | NAS1149D0963H |
| AN960PD1016L | NAS1149D1016J | AN960D1016L | NAS1149D1016H |
| AN960PD1016 | NAS1149D1063J | AN960D1016 | NAS1149D1063H |
| AN960PD1216L | NAS1149D1216J | AN960D1216L | NAS1149D1216H |
| AN960PD1216 | NAS1149D1290J | AN960D1216 | NAS1149D1290H |
| AN960PD1416L | NAS1149D1416J | AN960D1416L | NAS1149D1416H |
| AN960PD1416 | NAS1149D1490J | AN960D1416 | NAS1149D1490H |
| AN960PD1616L | NAS1149D1616J | AN960D1616L | NAS1149D1616H |
| AN960PD1616 | NAS1149D1690J | AN960D1616 | NAS1149D1690H |
| AN960PD1716L | NAS1149D1716J | AN960D1716L | NAS1149D1716H |
| AN960PD1716 | NAS1149D1790J | AN960D1716 | NAS1149D1790H |
| AN960PD1816L | NAS1149D1816J | AN960D1816L | NAS1149D1816H |
| AN960PD1816 | NAS1149D1890J | AN960D1816 | NAS1149D1890H |
| AN960PD2016L | NAS1149D2016J | AN960D2016L | NAS1149D2016H |
| AN960PD2016 | NAS1149D2090J | AN960D2016 | NAS1149D2090H |
| AN960PD2116L | NAS1149D2116J | AN960D2116L | NAS1149D2116H |
| AN960PD2116 | NAS1149D2190J | AN960D2116 | NAS1149D2190H |
| AN960PD2616L | NAS1149D2616J | AN960D2616L | NAS1149D2616H |
| AN960PD2616 | NAS1149D2690J | AN960D2616 | NAS1149D2690H |
| AN960PD3016L | NAS1149D3016J | AN960D3016L | NAS1149D3016H |
| AN960PD3016 | NAS1149D3090J | AN960D3016 | NAS1149D3090H |
| AN960PD3616L | NAS1149D3616J | AN960D3616L | NAS1149D3616H |
| AN960PD3616 | NAS1149D3690J | AN960D3616 | NAS1149D3690H |
| AN960PD4016L | NAS1149D4016J | AN960D4016L | NAS1149D4016H |
| AN960PD4016 | NAS1149D4090J | AN960D4016 | NAS1149D4090H |

ENSTROM F-28/280 SERIES ILLUSTRATED PARTS CATALOG

| INTENTIONALLY LEFT BLANK