



ENSTROM TH-28/480 SERIES ILLUSTRATED PARTS CATALOG
2001 Edition

Revision 17, dated Nov 28/22, applies to the Enstrom TH-28/480 Series Illustrated Parts Catalog, 2001 Edition. Place this cover sheet behind the "Record of Revisions" sheet after removing and inserting the pages listed below.

Remove Pages	Insert Pages
i through ii	i through ii
v through vi	v through vi
xi through cvi	xi through cvi
1-1.2 through 1-2	1-1.2 through 1-2
2-1.2 through 2-2	2-1.2 through 2-2
3-1.2 through 3-2	3-1.2 through 3-2
4-1.2 through 4-2	4-1.2 through 4-2
4-5 through 4-6	4-5 through 4-6
5-1.2 through 5-12	5-1.2 through 5-12
5-19 through 5-24	5-19 through 5-24
5-27 through 5-32	5-27 through 5-32
6-1.2 through 6-2	6-1.2 through 6-2
6-43 through 6-46	6-43 through 6-46
7-1.2 through 7-2	7-1.2 through 7-2
8-1.2 through 8-6	8-1.2 through 8-6
9-1.2 through 9-2	9-1.2 through 9-2
9-47.2 through 9-48	9-47.2 through 9-48
10-1.2 through 10-2	10-1.2 through 10-2
10-5 through 10-8	10-5 through 10-8
10-13 through 10-14	10-13 through 10-14
10-21 through 10-22	10-21 through 10-22
10-28 through 10-29	10-28 through 10-29
10-31 through 10-34	10-31 through 10-34
11-1.2 through 11-2	11-1.2 through 11-2
A-3 through A-4	A-3 through A-4
B-1 through B-2	B-1 through B-2

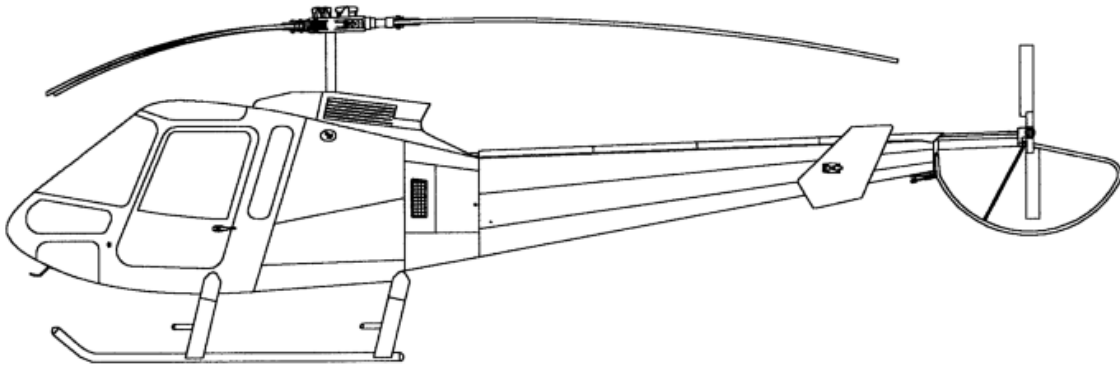
* * End of List * *

INTENTIONALLY LEFT BLANK



ENSTROM
HELICOPTER CORPORATION

**ENSTROM TH-28/480 SERIES
ILLUSTRATED PARTS CATALOG
2001 EDITION
MODEL EFFECTIVITY: TH-28, 480, AND 480B**



Download an electronic copy of this manual from the Technical Support page at
www.enstromhelicopter.com.

I

Copyright 2022 by
The Enstrom Helicopter Corporation
2209 22nd Street
Menominee, Michigan 49858-3515

Telephone: 906-863-1200
Fax: 906-863-6821

ENSTROM TH-28/480 SERIES ILLUSTRATED PARTS CATALOG

INTENTIONALLY LEFT BLANK

ENSTROM TH-28/480 SERIES ILLUSTRATED PARTS CATALOG

TABLE OF CONTENTS

Figure	Description	Page
	Record of Revisions	–
	Change Instructions	–
	Title Page	i
	Recommended Change Report	iii
	Table of Contents	v
	Effective Page List	xi
I	Part Number Index	xx

SECTION 1 – INTRODUCTION

	Table of Contents	1-1.2
	Scope	1-2
	Introductory Information	1-2
	Detailed Parts List	1-3
	Appendices	1-4

SECTION 2 – PARTS ORDERING INFORMATION

	Table of Contents	2-1.2
	General	2-2
	Parts Orders	2-2
	Shipment	2-3
	Emergency Requirements	2-3
	Credit Terms	2-3

SECTION 3 – STRUCTURES

	Table of Contents	3-1.2
3-1	Structural Assembly	3-2
3-2	Cowling and Access Panels	3-8
3-3	Windshield and Window Installation	3-16
3-4	Sliding Window Installation	3-22
3-5	Engine Cowl Door Opener	3-24
3-6	Cabin Door Assembly	3-25.1
3-6.1	Cabin Door Installation	3-25.7
3-6.2	Cabin Door Opener	3-26
3-7	Tailcone Installation	3-30
3-8	Horizontal and Vertical Stabilizer Installation	3-32
3-9	Tail Rotor Guard and Extension Tube Installation	3-36
3-10	Tail Rotor Guard Installation (4172000-101)	3-38
3-11	Tail Rotor Guard Installation (4172000-9)	3-40
3-12	Tailcone Vibration Absorber Installation	3-42
3-13	Tail Rotor Drive Shaft Cover Installation	3-46
3-14	Seat Installation - TH-28	3-52
3-15	Seat Installation - 480/480B	3-54
3-16	Seat Assembly	3-56
3-17	Seat Base Assembly	3-58
3-18	Bench Seat Installation	3-62
3-19	Passenger Footrest Installation	3-70

ENSTROM TH-28/480 SERIES ILLUSTRATED PARTS CATALOG

TABLE OF CONTENTS

Figure	Description	Page
3-20	Exterior Markings	3-72
3-21	Interiors	3-76
SECTION 4 – LANDING GEAR		
	Table of Contents	4-1.2
4-1	Landing Gear Cross Tube Installation	4-2
4-2	Landing Gear Assembly and Installation	4-4
4-3	Landing Gear Oleo Installation	4-8
4-4	Oleo Assembly	4-10
4-5	Landing Gear Fairing Installation	4-14
4-6	Landing Gear Steps	4-18
SECTION 5 – FUEL SYSTEM		
	Table of Contents	5-1.2
5-1	Fuel Cell Installation – Aerotech/UFCC Fuel Cells	5-2
5-2	Fuel Bladder Structure Assy/Install– Aerotech/UFCC Fuel Cells	5-6
5-3	Fuel Cell Installation - Aerazur Fuel Cells	5-14
5-4	Fuel Cell Installation - Aerazur Fuel Cells SN 5011 and 5012	5-16
5-5	Fuel Line Installation – Aerotech/UFCC Fuel Cells	5-20
5-6	Fuel Line Installation - Aerazur Fuel Cells	5-26
5-7	Flanged Plate Assembly – Aerotech/UFCC Fuel Cells	5-30
5-8	Fuel Shutoff Valve Assembly	5-32
5-9	Sump Drain Valve Installation	5-40
5-10	Fuel Shutoff Cable Installation SN 5001- 5145	5-42
5-11	Fuel Shutoff Cable Installation	5-44
5-12	Optional Airframe Mounted Fuel Filter	5-48
SECTION 6 – POWER PLANT & SYSTEMS		
	Table of Contents	6-1.2
6-1	Engine Buildup Assembly	6-2
6-1.1	Fire Curtain Installation	6-11.3
6-2	Starter/Generator Cooling Installation	6-12
6-3	Engine Air Induction System	6-14
6-4	Particle Separator/Scav-Air Line Installation	6-18
6-5	Scav-Air/Anti-Ice Control Panel Installation	6-20
6-6	Engine Power Control Installation	6-22
6-7	Engine Idle Stop Assembly	6-26
6-7.1	Engine Idle Stop Assembly – Dual Start Control	6-28
6-7.2	Engine Idle Stop Assembly – Dual Start Control Detail	6-30
6-7.3	Engine Idle Stop Assembly – Dual Start Control Relay Detail	6-32
6-8	Drop Compensator Installation	6-34
6-9	Engine Oil System	6-37
6-10	Oil Cooler Blower Installation	6-42
6-11	Oil Cooler Ducting TH-28 SN 3006, 480 SN 5001-5022	6-46
6-12	Oil Cooler Ducting TH-28 SN 3007, 480 SN 5023 and Subs	6-48
6-13	Eductor Installation	6-52
6-14	Eductor Installation (Obsolete)	6-54

ENSTROM TH-28/480 SERIES ILLUSTRATED PARTS CATALOG

EFFECTIVE PAGE LIST

Page	Date	Page	Date
i	Nov 28/22	xliii	Nov 28/22
ii	Dec 15/10	xliv	Nov 28/22
iii	Feb 1/13	xlv	Nov 28/22
iv	Jan 29/11	xlvi	Nov 28/22
v	Oct 30/15	xlvii	Nov 28/22
vi	Nov 28/22	xlviii	Nov 28/22
vii	Oct 30/15	xlix	Nov 28/22
viii	Dec 20/13	l	Nov 28/22
ix	Jul 22/2020	li	Nov 28/22
x	Jul 22/2020	lii	Nov 28/22
xi	Nov 28/22	liii	Nov 28/22
xii	Jul 22/2020	liv	Nov 28/22
xiii	Nov 28/22	lv	Nov 28/22
xiv	Nov 28/22	lvi	Nov 28/22
xv	Nov 28/22	lvii	Nov 28/22
xvi	Nov 28/22	lviii	Nov 28/22
xvii	Nov 28/22	lix	Nov 28/22
xviii	Jul 22/2020	lx	Nov 28/22
xix	Jul 22/2020	lxi	Nov 28/22
xx	Nov 28/22	lxii	Nov 28/22
xxi	Nov 28/22	lxiii	Nov 28/22
xxii	Nov 28/22	lxiv	Nov 28/22
xxiii	Nov 28/22	lxv	Nov 28/22
xxiv	Nov 28/22	lxvi	Nov 28/22
xxv	Nov 28/22	lxvii	Nov 28/22
xxvi	Nov 28/22	lxviii	Nov 28/22
xxvii	Nov 28/22	lxix	Nov 28/22
xxviii	Nov 28/22	lxx	Nov 28/22
xxix	Nov 28/22	lxxi	Nov 28/22
xxx	Nov 28/22	lxxii	Nov 28/22
xxxi	Nov 28/22	lxxiii	Nov 28/22
xxxii	Nov 28/22	lxxiv	Nov 28/22
xxxiii	Nov 28/22	lxxv	Nov 28/22
xxxiv	Nov 28/22	lxxvi	Nov 28/22
xxxv	Nov 28/22	lxxvii	Nov 28/22
xxxvi	Nov 28/22	lxxviii	Nov 28/22
xxxvii	Nov 28/22	lxxix	Nov 28/22
xxxviii	Nov 28/22	lxxx	Nov 28/22
xxxix	Nov 28/22	lxxxi	Nov 28/22
xl	Nov 28/22	lxxxii	Nov 28/22
xli	Nov 28/22	lxxxiii	Nov 28/22
xlii	Nov 28/22	lxxxiv	Nov 28/22

ENSTROM TH-28/480 SERIES ILLUSTRATED PARTS CATALOG

EFFECTIVE PAGE LIST

Page	Date	Page	Date
lxxxv	Nov 28/22	2-1.2	Nov 28/22
lxxxvi	Nov 28/22	2-2	Jul 22/2020
lxxxvii	Nov 28/22	2-3	Jul 31/12
lxxxvii	Nov 28/22	2-4	Jul 31/12
lxxxviii	Nov 28/22	3-1	Aug 13/07
lxxxix	Nov 28/22	3-1.1	Dec 20/13
lxxxx	Nov 28/22	3-1.2	Nov 28/22
lxxxxi	Nov 28/22	3-2	Jul 31/12
lxxxxii	Nov 28/22	3-3	Jul 31/12
lxxxxiii	Nov 28/22	3-4	Jul 31/12
lxxxxiv	Nov 28/22	3-5	Oct 30/15
lxxxxv	Nov 28/22	3-6	Jul 31/12
lxxxxiv	Nov 28/22	3-7	Jul 31/12
lxxxxv	Nov 28/22	3-8	Dec 20/13
lxxxxvi	Nov 28/22	3-9	Jul 31/12
lxxxxvii	Nov 28/22	3-10	Dec 3/19
lxxxxviii	Nov 28/22	3-11	Dec 3/19
lxxxxix	Nov 28/22	3-12	Jul 22/2020
xc	Nov 28/22	3-13	Oct 30/15
xc	Nov 28/22	3-14	Jul 22/2020
xcii	Nov 28/22	3-15	Dec 3/19
xciii	Nov 28/22	3-15.1	Jul 22/2020
xciv	Nov 28/22	3-15.2	Feb 1/13
xcv	Nov 28/22	3-16	Dec 20/13
xcvi	Nov 28/22	3-17	Jul 31/12
xcvii	Nov 28/22	3-18	Jul 31/12
xcviii	Nov 28/22	3-19	Jul 22/2020
xcix	Nov 28/22	3-20	Jul 22/2020
c	Nov 28/22	3-21	Jul 31/12
ci	Nov 28/22	3-22	Oct 30/15
cii	Nov 28/22	3-23	Oct 30/15
ciii	Nov 28/22	3-23.1	Oct 30/15
civ	Nov 28/22	3-23.2	Oct 30/15
cv	Nov 28/22	3-24	Jul 31/12
cvi	Jul 22/2020	3-25	Dec 3/19
1-1	Jul 31/12	3-25.1	Feb 1/13
1-1.1	Dec 20/13	3-25.2	Feb 1/13
1-1.2	Nov 28/22	3-25.3	Feb 1/13
1-2	Sep 27/18	3-25.4	Feb 1/13
1-3	Sep 27/18	3-25.5	Feb 1/13
1-4	Sep 27/18	3-25.6	Feb 1/13
2-1	Dec 20/13	3-25.7	Feb 1/13
2-1.1	Dec 20/13	3-25.8	Feb 1/13

ENSTROM TH-28/480 SERIES ILLUSTRATED PARTS CATALOG

EFFECTIVE PAGE LIST

Page	Date	Page	Date
3-25.9	Feb 1/13	3-63	Jul 31/12
3-25.10	Feb 1/13	3-64	Sep 2/16
3-25.11	Feb 1/13	3-65	Jul 31/12
3-25.12	Oct 30/15	3-66	Sep 2/16
3-25.13	Feb 1/13	3-67	Sep 2/16
3-25.14	Feb 1/13	3-68	Dec 3/19
3-26	Feb 1/13	3-69	Jul 31/12
3-27	Feb 1/13	3-70	Jul 31/12
3-28	Dec 3/19	3-71	Oct 30/15
3-29	Jul 31/12	3-72	Jul 31/12
3-30	Feb 1/13	3-73	Jul 31/12
3-31	Oct 30/15	3-74	Dec 3/19
3-32	Oct 30/15	3-75	Feb 1/13
3-33	Sep 2/16	3-76	Dec 3/19
3-34	May 9/18	3-77	Feb 1/13
3-35	May 9/18	3-78	Dec 3/19
3-36	Sep 2/16	3-79	Dec 3/19
3-37	Jul 22/2020	3-80	Sep 2/16
3-38	Sep 2/16	4-1	Nov 16/01
3-39	Sep 2/16	4-1.1	Dec 20/13
3-40	Jul 31/12	4-1.2	Nov 28/22
3-41	Oct 30/15	4-2	Jan 30/12
3-42	Oct 30/15	4-3	Dec 3/19
3-43	Jul 31/12	4-4	Oct 30/15
3-44	Sep 2/16	4-5	Nov 28/22
3-45	Jul 31/12	4-6	Nov 28/22
3-46	Jul 31/12	4-7	Jul 31/12
3-47	May 9/18	4-8	Jul 31/12
3-48	Jul 31/12	4-9	Oct 30/15
3-49	Dec 3/19	4-10	Jul 31/12
3-50	Dec 3/19	4-11	May 9/18
3-51	Oct 30/15	4-12	Jul 22/2020
3-52	Jul 31/12	4-13	Jul 31/12
3-53	Jul 31/12	4-14	Jul 31/12
3-54	Jul 31/12	4-15	Oct 30/15
3-55	Oct 30/15	4-16	Oct 30/15
3-56	Sep 2/16	4-17	Jul 31/12
3-57	Sep 2/16	4-18	Jul 31/12
3-58	Jul 31/12	4-19	Oct 30/15
3-59	Dec 3/19	4-20	Jul 31/12
3-60	Sep 2/16	5-1	Nov 16/01
3-61	Jul 31/12	5-1.1	Dec 20/13
3-62	Dec 20/13	5-1.2	Nov 28/22

ENSTROM TH-28/480 SERIES ILLUSTRATED PARTS CATALOG

EFFECTIVE PAGE LIST

Page	Date	Page	Date
5-2	Nov 28/22	5-45	Feb 1/13
5-3	Nov 28/22	5-46	Oct 30/15
5-4	Nov 28/22	5-47	Oct 30/15
5-5	Nov 28/22	5-48	Feb 1/13
5-6	Nov 28/22	5-49	Feb 1/13
5-7	Nov 28/22	5-50	May 9/18
5-8	Nov 28/22	5-51	Oct 30/15
5-9	Nov 28/22	5-52	Feb 1/13
5-10	Nov 28/22	6-1	Nov 16/01
5-11	Nov 28/22	6-1.1	Dec 20/13
5-12	Nov 28/22	6-1.2	Nov 28/22
5-13	Feb 1/13	6-2	Sep 27/18
5-14	May 9/18	6-3	Dec 15/10
5-15	Oct 30/15	6-4	Nov 16/01
5-16	Feb 1/13	6-5	Sep 27/18
5-17	Oct 30/15	6-6	Sep 27/18
5-18	Oct 30/15	6-7	Oct 30/15
5-19	Feb 1/13	6-8	Jul 22/2020
5-20	Nov 28/22	6-9	Jul 22/2020
5-21	Nov 28/22	6-10	Jul 22/2020
5-22	Nov 28/22	6-11	Jul 22/2020
5-23	Nov 28/22	6-11.1	Jul 22/2020
5-24	Nov 28/22	6-11.2	Oct 30/15
5-25	Feb 1/13	6-11.3	Oct 30/15
5-26	Feb 1/13	6-11.4	Sep 27/18
5-27	May 9/18	6-11.5	Jul 22/2020
5-28	Nov 28/22	6-11.6	Jul 22/2020
5-29	Feb 1/13	6-11.7	Jul 22/2020
5-30	Nov 28/22	6-11.8	Oct 30/15
5-31	Nov 28/22	6-12	Jan 30/12
5-32	Feb 1/13	6-13	Sep 2/16
5-33	Feb 1/13	6-14	Dec 3/19
5-34	Feb 1/13	6-15	Dec 3/19
5-35	Dec 20/13	6-16	Dec 3/19
5-36	Dec 20/13	6-17	Jul 22/2020
5-37	Dec 20/13	6-17.1	Jul 22/2020
5-38	Dec 20/13	6-17.2	Jul 22/2020
5-39	Feb 1/13	6-18	Feb 1/13
5-40	Feb 1/13	6-19	Feb 1/13
5-41	Oct 30/15	6-19.1	Oct 30/15
5-42	Feb 1/13	6-19.2	Oct 30/15
5-43	Feb 1/13	6-20	Oct 30/15
5-44	Feb 1/13	6-21	Oct 30/15

ENSTROM TH-28/480 SERIES ILLUSTRATED PARTS CATALOG

EFFECTIVE PAGE LIST

Page	Date	Page	Date
6-22	Jan 30/12	7-2.1	Oct 30/15
6-23	Sep 2/16	7-2.2	May 9/18
6-24	Sep 2/16	7-2.3	Jul 22/2020
6-25	Sep 2/16	7-3	Dec 20/13
6-26	Sep 2/16	7-3.1	May 9/18
6-27	Oct 30/15	7-3.2	May 9/18
6-28	Jan 30/12	7-3.3	Oct 30/15
6-29	Dec 3/19	7-4	Aug 13/07
6-30	Jan 30/12	7-5	Oct 30/15
6-31	Dec 3/19	7-6	Dec 3/19
6-32	Jan 30/12	7-7	Oct 30/15
6-33	Oct 30/15	7-8	Oct 30/15
6-34	Oct 30/15	7-9	Nov 16/01
6-35	Sep 2/16	7-10	Nov 16/01
6-35.1	Oct 30/15	7-11	Jan 30/12
6-36	Jul 29/11	7-12	Sep 27/18
6-37	Jul 31/12	7-13	Nov 16/01
6-38	Dec 20/13	7-14	Dec 20/13
6-39	Oct 30/15	7-15	Sep 27/18
6-40	Oct 30/15	7-16	Sep 27/18
6-41	Oct 30/15	7-17	Nov 11/02
6-41.1	Oct 30/15	7-18	Feb 1/13
6-42	Sep 27/18	7-19	Sep 2/16
6-43	Nov 28/22	7-20	Sep 2/16
6-44	Nov 28/22	7-20.1	Nov 11/02
6-45	Nov 28/22	7-20.2	Feb 1/13
6-46	Feb 1/13	7-21	Sep 2/16
6-47	Oct 30/15	7-22	Aug 13/07
6-48	Dec 20/13	7-23	Jan 30/12
6-49	Dec 3/19	7-24	Oct 30/15
6-50	Dec 3/19	7-25	Dec 3/19
6-51	Jan 30/12	7-26	Dec 3/19
6-52	Oct 30/15	7-26.1	Jul 22/2020
6-52.1	Oct 30/15	7-26.2	Oct 30/15
6-53	Oct 30/15	7-26.3	Dec 3/19
6-53.1	Oct 30/15	7-26.4	Jul 22/2020
6-54	Jan 30/12	7-27	Nov 16/01
6-55	Oct 30/15	7-27.1	Dec 3/19
6-56	Oct 30/15	7-27.2	Dec 3/19
7-1	Aug 13/07	7-28	Dec 3/19
7-1.1	Dec 20/13	7-29	Dec 3/19
7-1.2	Nov 28/22	7-30	Dec 3/19
7-2	Oct 30/15	7-31	Dec 3/19

ENSTROM TH-28/480 SERIES ILLUSTRATED PARTS CATALOG

EFFECTIVE PAGE LIST

Page	Date	Page	Date
7-31.1	Dec 3/19	9-3	Dec 20/13
7-31.2	Dec 3/19	9-4	Sep 27/18
7-32	Aug 13/07	9-5	Feb 1/13
7-33	Oct 30/15	9-6	Feb 1/13
7-34	Oct 30/15	9-7	Jul 31/12
7-35	Oct 30/15	9-8	May 9/18
7-36	Oct 30/15	9-9	May 9/18
7-37	Jul 22/2020	9-10	Dec 3/19
7-38	Jul 22/2020	9-11	Dec 3/19
8-1	Jul 13/05	9-12	Feb 1/13
8-1.1	Dec 20/13	9-13	Sep 27/18
8-1.2	Nov 28/22	9-14	May 9/18
8-2	Oct 30/15	9-15	Nov 16/01
8-3	Oct 30/15	9-16	Oct 30/15
8-4	Nov 28/22	9-17	Oct 30/15
8-5	Nov 28/22	9-17.1	Oct 30/15
8-6	Oct 30/15	9-17.2	Jan 30/12
8-7	Oct 30/15	9-18	Oct 30/15
8-8	Jul 22/2020	9-19	Oct 30/15
8-9	May 9/18	9-19.1	Jul 31/12
8-10	Jul 31/12	9-19.2	Jul 31/12
8-11	Feb 1/13	9-20	Feb 1/13
8-12	Sep 2/16	9-21	May 9/18
8-13	Jul 22/2020	9-21.1	May 9/18
8-14	Sep 2/16	9-21.2	Jul 29/11
8-15	Sep 2/16	9-22	Feb 1/13
8-16	Jul 13/05	9-23	Oct 30/15
8-17	Jan 30/12	9-23.1	Oct 30/15
8-18	Jul 13/05	9-23.2	Oct 30/15
8-19	Dec 3/19	9-23.3	Oct 30/15
8-20	Dec 3/19	9-23.4	Jan 30/12
8-21	Aug 13/07	9-23.5	Oct 30/15
8-22	Jan 30/12	9-23.6	Oct 30/15
8-23	Dec 3/19	9-23.7	Oct 30/15
8-24	Jan 30/12	9-23.8	Oct 30/15
8-25	Jul 22/2020	9-24	Nov 16/01
8-26	Jul 22/2020	9-25	Dec 3/19
9-1	Nov 16/01	9-26	Dec 20/13
9-1.1	Dec 20/13	9-27	Nov 16/01
9-1.2	Nov 28/22	9-28	Nov 16/01
9-2	Feb 1/13	9-29	Jul 29/11
9-2.1	Feb 1/13	9-30	Nov 16/01
9-2.2	Jul 31/12	9-31	Oct 30/15

ENSTROM TH-28/480 SERIES ILLUSTRATED PARTS CATALOG

EFFECTIVE PAGE LIST

Page	Date	Page	Date
9-32	Sep 2/16	10-17	Sep 2/16
9-33	Sep 2/16	10-18	Jul 31/12
9-33.1	Dec 20/13	10-19	Jul 31/12
9-33.2	Dec 20/13	10-20	Jan 30/12
9-34	Dec 15/10	10-21	Nov 28/22
9-35	Dec 3/19	10-22	Sep 2/16
9-36	Dec 3/19	10-23	Sep 2/16
9-37	Oct 30/15	10-24	Sep 2/16
9-38	Dec 3/19	10-24.1	Oct 30/15
9-39	Jul 22/2020	10-25	Sep 2/16
9-40	Oct 30/15	10-26	Sep 2/16
9-41	Oct 30/15	10-27	Sep 2/16
9-42	Oct 30/15	10-28	Sep 2/16
9-43	Oct 30/15	10-29	Nov 28/22
9-44	Oct 30/15	10-29.1	Sep 2/16
9-45	Oct 30/15	10-30	Jul 31/12
9-46	Oct 30/15	10-31	Nov 28/22
9-47	Oct 30/15	10-32	Jul 31/12
9-47.1	Oct 30/15	10-33	Nov 28/22
9-47.2	Oct 30/15	10-34	Jul 31/12
9-48	Nov 28/22	10-35	Feb 1/13
9-49	Sep 27/18	10-36	Jul 31/12
9-50	Oct 30/15	10-37	Feb 1/13
9-51	Sep 27/18	10-38	Jul 31/12
9-52	Jul 13/05	10-39	Jul 31/12
10-1	Nov 16/01	10-40	Jul 31/12
10-1.1	Dec 20/13	10-41	Dec 20/13
10-1.2	Nov 28/22	10-42	Jul 31/12
10-2	Sep 2/16	10-43	Feb 1/13
10-3	Sep 2/16	10-44	Jul 31/12
10-4	Jul 31/12	10-45	Jul 31/12
10-5	Jul 31/12	10-46	Sep 2/16
10-6	Nov 28/22	10-47	Jul 31/12
10-7	Nov 28/22	10-48	Jul 31/12
10-8	Sep 2/16	10-49	Dec 3/19
10-9	Sep 2/16	10-50	Jul 31/12
10-10	Jul 31/12	10-51	Dec 3/19
10-11	Jul 31/12	10-52	Dec 3/19
10-12	Jul 31/12	10-53	Jul 31/12
10-13	Feb 1/13	10-54	Jul 31/12
10-14	Nov 28/22	10-55	Dec 20/13
10-15	Jul 13/05	10-56	Jul 31/12
10-16	Sep 2/16	10-57	Jul 31/12

ENSTROM TH-28/480 SERIES ILLUSTRATED PARTS CATALOG

EFFECTIVE PAGE LIST

Page	Date	Page	Date
10-58	Jul 31/12	10-91	Jul 31/12
10-59	Dec 3/19	10-92	May 9/18
10-60	Oct 30/15	10-93	Jul 31/12
10-61	Jul 31/12	10-94	Jul 31/12
10-62	Jul 31/12	10-95	Jul 31/12
10-63	Oct 30/15	10-96	Oct 30/15
10-64	Oct 30/15	10-97	Jul 31/12
10-65	Jul 31/12	10-98	Jul 31/12
10-66	Jul 31/12	10-99	Jul 31/12
10-67	Jul 31/12	10-100	Dec 20/13
10-68	Jul 31/12	10-101	Dec 3/19
10-69	Feb 1/13	10-102	Dec 3/19
10-70	Oct 30/15	10-103	Jul 31/12
10-71	Oct 30/15	10-104	Jul 31/12
10-72	Jul 31/12	10-105	May 9/18
10-73	Dec 20/13	10-106	Jul 31/12
10-74	Jul 31/12	10-107	May 9/18
10-75	Oct 30/15	10-108	Jul 31/12
10-76	Jul 31/12	10-109	May 9/18
10-77	Oct 30/15	10-110	Jul 31/12
10-78	Jul 22/2020	10-111	Jul 31/12
10-79	Jul 22/2020	10-112	Feb 1/13
10-80	Oct 30/15	10-113	Feb 1/13
10-81	Oct 30/15	10-114	Jul 31/12
10-82	Oct 30/15	10-115	Jul 31/12
10-83	Oct 30/15	10-116	Feb 1/13
10-83.1	Dec 20/13	10-117	Jul 31/12
10-83.2	Dec 20/13	10-118	Jul 31/12
10-84	Feb 1/13	10-119	Oct 30/15
10-85	Feb 1/13	10-120	Feb 1/13
10-86	Feb 1/13	10-121	Feb 1/13
10-86.1	Feb 1/13	10-122	Feb 1/13
10-86.2	Feb 1/13	10-123	Feb 1/13
10-86.3	Oct 30/15	10-124	Oct 30/15
10-86.4	Oct 30/15	10-125	Jul 31/12
10-86.5	Feb 1/13	10-126	Oct 30/15
10-86.6	Oct 30/15	10-127	Jul 31/12
10-86.7	Feb 1/13	10-128	Jul 31/12
10-86.8	Oct 30/15	10-129	Jul 31/12
10-87	Jul 31/12	10-130	Jul 31/12
10-88	Jul 31/12	10-131	Jul 31/12
10-89	Oct 30/15	10-132	Jul 31/12
10-90	May 9/18	10-133	Jul 31/12

ENSTROM TH-28/480 SERIES ILLUSTRATED PARTS CATALOG

EFFECTIVE PAGE LIST

Page	Date	Page	Date
10-134	Jul 31/12	B-7	Jul 22/2020
11-1	Nov 16/01	B-8	Jul 22/2020
11-1.1	Dec 20/13	B-9	Jul 22/2020
11-1.2	Nov 28/22	B-10	Jul 22/2020
11-2	Nov 16/01	B-11	Jul 22/2020
11-3	Oct 30/15	B-12	Jul 22/2020
11-4	Oct 30/15	B-13	Jul 22/2020
11-5	Oct 30/15	B-14	Jul 22/2020
11-6	Oct 30/15	B-15	Jul 22/2020
11-7	Nov 16/01	B-16	Jul 22/2020
11-8	Jul 31/12		
11-9	Oct 30/15		
11-9.1	Oct 30/15		
11-9.2	Jul 31/12		
11-10	Nov 16/01		
11-11	Oct 30/15		
11-12	Jan 30/12		
11-13	Jan 30/12		
11-14	Dec 3/19		
11-15	Jan 30/12		
11-16	Aug 16/13		
11-17	Jan 30/12		
11-18	Oct 30/15		
11-19	Jan 30/12		
11-20	Jan 30/12		
11-21	Oct 30/15		
11-22	Jul 22/2020		
11-23	Oct 30/15		
11-24	Jul 31/12		
A-1	Jan 30/12		
A-2	Sep 20/13		
A-3	Nov 28/22		
A-4	Oct 30/15		
A-5	Oct 30/15		
A-6	Dec 3/19		
A-7	Dec 3/19		
A-8	Sep 20/13		
B-1	Nov 28/22		
B-2	Jul 22/2020		
B-3	Jul 22/2020		
B-4	Jul 22/2020		
B-5	Jul 22/2020		
B-6	Jul 22/2020		

ENSTROM TH-28/480 SERIES ILLUSTRATED PARTS CATALOG

PART NUMBER INDEX

Part Number	Figure	Item	Part Number	Figure	Item
008-00041-0001	10-36	–	020-986-001	5-3	20
010-00188-03	10-37	10	030-01094-0077	10-36	–
01-0770028-05	10-30	1	030-01107-0048	10-36	–
01-0770119-15	10-1	31	034921-01	5-12	–
01-0770119-15	10-2	31	038088-08	6-9	35
01-0770119-15	10-3	24	038088-08-80	6-9	35
01-0770119-15	10-4	26	0402-005	6-1	16
01-0770119-15	10-5	5	047-05860-0001	10-36	–
01-0770119-15	10-6	5	050-01780-0003	10-36	6
01-0771424-20	10-28	5	0660-1055-0071	10-36	1
01-0790006-01	10-30	4	089-02013-0037	10-36	–
01-0790006-01	10-31	–	089-02051-0024	10-36	–
01-0790006-01	3-8	26	089-02191-0022	10-36	–
01-0790006-01	App A	–	089-02353-0001	10-36	–
01-0790006-03	10-30	4	089-05903-0007	10-36	–
01-0790006-03	10-31	–	089-05907-0012	10-36	–
01-0790006-03	3-8	25	089-06012-0008	10-36	–
01-0790006-03	App A	–	08DU	App A	–
01-0790340-03	10-30	4	08DU08	9-11	15
01-0790340-03	10-32	10	091-00072-0003	10-36	–
01-0790340-03	3-8	26	09-DU-12	9-3	22
01-0790340-04	10-30	4	#1	5-5	55
01-0790340-04	10-32	11	1-480319-0	6-1	–
01-0790340-04	3-8	25	1/2 X8	App A	–
01-1030-H-A-P	10-29	40	1/4 Harper	6-12	30
01-1030-H-A-P Rev A	10-29	40	1/4 Harper	8-7	27
01-1030-H-A-P Rev B	10-29	40	1/4 Harper	9-10	3
01-1030-H-A-P Rev C	10-29	40	1/4 Harper	9-8	10
01-691-04	9-15	27	1/4 Harper	9-8	21
01-691-05	9-13	10	1/8 X 832	11-5	90
02-0250276-00	10-31	8	1/8 X 832	5-8	–
02-0250276-00	App A	–	1/8X832	5-11	290
02-0350259-00	10-31	1	10065	App A	–
02-0350259-00	App A	–	102	3-3	–
02-0350260-00	10-31	3	102-00007	7-8	38
02-0350260-00	App A	–	102-00007	7-8.1	34

ENSTROM TH-28/480 SERIES ILLUSTRATED PARTS CATALOG

PART NUMBER INDEX

Part Number	Figure	Item	Part Number	Figure	Item
1040	10-1	5	13241-LDS	7-8	25
1040	10-2	5	13AT401-T2	9-6	30
1040	10-3	5	13AT401-T2	9-7	24
1040	10-4	5	13AT401-T2	9-7.1	14
1053	11-1	27	13AT401-T2	9-7.2	14
105CPOLYKEN	3-19	–	14-0050508-27	10-32	9
10-796-00	11-4	14	14399-001	10-1	18
10-796-00	11-5	340	14399-001	10-2	18
10-DU-10	6-7.2	21	14399-001	10-3	18
10-DU-10	9-4	3	14399-001	10-4	18
10-DU-10	9-4	5	14399-002	10-1	17
1102	7-8	27	14399-002	10-2	17
1102	7-8.1	24	14399-002	10-3	17
11052	7-2	5	14399-002	10-4	17
11052	7-2	5	14399-003	10-1	16
1117067-05	3-18	29	14399-003	10-2	16
1117067-07	3-18	28	14399-003	10-3	16
1157	11-6	40	14399-003	10-4	16
11-691-04	9-15	24	1-480303-0	10-37	80
11-691-05	9-13	14	1-480305-0	10-37	90
1-172165-9	10-4	32	1-480318-0	10-1	–
11TS15-2	10-1	23	1-480318-0	10-1	–
11TS15-2	10-2	23	1-480318-0	10-1	–
11TS15-2	10-7	2	1-480318-0	10-1	–
11TS15-2	10-8	2	1-480318-0	10-2	–
11TS15-2	10-9	2	1-480318-0	10-2	–
11TS15-2	10-9	2	1-480318-0	10-2	–
1219-4200-Z3Y	3-2	–	1-480318-0	10-2	–
1219-4200-Z3Y	3-2	–	1-480318-0	10-2	–
1219-4200-Z3Y	3-2	–	1-480318-0	10-3	–
1219-4200-Z3Y	3-2	–	1-480318-0	10-3	–
1219-4200-Z3Y	6-11	18	1-480318-0	10-4	–
1219-4200-Z3Y	6-12	20	1-480318-0	10-4	–
1219-4200-Z3Y	App A	–	1-480319-0	10-1	–
1238716	5-2	260	1-480319-0	10-1	–
124F003-4CR0210	6-1	64	1-480319-0	10-1	–
12500750-125B	8-5	14	1-480319-0	10-1	–

ENSTROM TH-28/480 SERIES ILLUSTRATED PARTS CATALOG

PART NUMBER INDEX

Part Number	Figure	Item	Part Number	Figure	Item
1-480319-0	10-2	–	1637-B	8-2	39
1-480319-0	10-2	–	1637-B	9-12	12
1-480319-0	10-2	–	1641-B	8-1	28
1-480319-0	10-2	–	1641-B	8-3	20
1-480319-0	10-2	–	1641-B	9-11	6
1-480319-0	10-29	–	1641-B	9-13	3
1-480319-0	10-3	–	1650	8-3	20
1-480319-0	10-3	–	1650	8-7	21
1-480319-0	10-4	–	16DU16	9-12	4
1-480319-0	10-4	–	170363-1	10-17	19
1-480319-0	5-7	–	170363-1	10-4	33
1-480319-0	7-9	–	170364-1	10-17	19
1-480424-0	6-7.3	70	1-72165-9	10-17	18
1-480426-0	10-18	–	172233-1	10-17	18
14809	7-1	2	17240	App A	–
14809	7-1.1	12	1740001-01	6-9	34
14809	App A	–	1741125	6-9	–
1495	10-1	–	1743629-01	5-12	–
150SG1009-5	6-1	–	1743640-01	5-12	60
150SG1009-5	6-1	–	1743645-01	5-12	–
150SG1040	6-1	53	1743645-02	5-12	70
150SG1040	6-1	53	1756-2	10-14	7
150SG1108	6-1	52	18-200	10-1	–
150SG1108	6-1	52	18-200	10-2	–
150SG117Q-3	6-1	51	18-200	10-3	–
150SG117Q-3-1	6-1	51	18-200	10-4	–
150SG117Q-4	6-1	51	18-200	10-4	–
150SG117Q-4-1	6-1	51	18-200	10-4	–
1539-001	7-11	14	18-200	10-4	–
1540	7-8	–	18-215	10-1	–
1540	7-8.1	–	18-215	10-2	–
1-604102-1	10-18	–	18-215	10-3	–
1-604102-1	10-18	–	18-215	10-4	–
1-604102-1	10-19	–	18-215	10-4	–
16-1	8-7	30	18-215	10-4	–
1637-B	7-10	10	18-215	10-4	–
1637-B	8-1	35	18-DU-12	9-6	8

ENSTROM TH-28/480 SERIES ILLUSTRATED PARTS CATALOG

PART NUMBER INDEX

Part Number	Figure	Item	Part Number	Figure	Item
18-DU-12	9-7	8	20526	App A	–
18050-42	7-9	28	206-061-505-003	6-9	1
1/8 X 1/16 FG-S	7-9	–	208	7-4	8
1911-B	7-4	9	210A155	9-3	8
1911-B	7-6	14	2-131	4-4	15
1911-B	7-6.1	13	2-133	8-3	15
1911-B	8-1	34	2-137	8-5	15
19-170049-009	10-31	12	2-141	7-1	8
19-170049-009	App A	–	2-141	7-1.1	17
19-170049-010	10-32	8	2-141	7-2	4
19754	8-2	43	2-141	7-2	4
1B7536	7-8	5	218-901-019	10-2	9
1SE1	10-23	7	219N04X02	10-34	1
1SE1	6-1	87	21FA-540	7-11	13
2/0	6-3	66	21FA-540	7-8	–
2000653-001	11-6	50	21FA-540	7-9	–
20012S	6-1	47	2-212	8-2	23
20020S	4-5	–	2212000	10-4	–
20020S	4-5	–	2-218	4-4	5
20020S	4-5	–	22-370-150	10-16	8
20020S	4-5	–	22-370-150	10-17	9
20020S	4-5	–	22-370-200	10-17	9
20020S	4-5	–	229001	10-10	–
20044S	6-1	105	229001	11-6	–
2-008-S604-70	10-25	–	229001	11-6	–
2-008-S604-70	10-25	–	229001	11-6	–
2-011	10-27	10	229002	10-10	–
2-015	4-4	30	229003	10-10	–
2-018	7-11	4	229007	10-10	–
2-025	8-5	4	22NA17A-02	3-13	31
2-025	8-5	11	22NA1-82	3-8	39
2-029	7-9	21	22NA1-82BC	3-8	40
2-029	8-3	14	22NA27-22-02	10-13	5
2-032	8-2	45	22NA27-22-02	6-3	46
2-041	7-1	10	22-NA27-68-02	10-13	5
20526	7-6	11	23052351	6-1	–
20526	7-6.1	10	23052363	3-20	90

ENSTROM TH-28/480 SERIES ILLUSTRATED PARTS CATALOG

PART NUMBER INDEX

Part Number	Figure	Item	Part Number	Figure	Item
23053995	7-1	16	268-N-04X02	App A	–
23053995	7-2	10	269N 4X2	App A	–
23054604	6-1	23	269N04X02	10-34	5
23063426	6-1	41	269-N-04X02	App A	–
23064565	6-1	60	269-N-04X04	10-27	6
23113DH	5-8	38	27539	7-4	6
23121DH	5-8	6	27539	7-5	11
2335-265	10-20	12	28-00014-1	3-20	10
23S-094-075	3-6	100	28-00015-1	3-20	100
24004-71-71	11-6	120	28-01041-3	6-10	22
24004TR71	11-6	180	280-114508-11	3-2	11
24914	7-4	3	28-11121-4	10-33	10
24914	7-5	3	28-11121-4	10-33	19
2523184	6-6	19	28-11121-7	10-33	6
259 N4	App A	–	28-11215-1	3-9	17
259N04	10-27	5	28-11215-11	3-9	17
259N04	10-34	2	28-11217-1	3-9	16
259N04	App A	–	28-11217-3	3-9	16
259-N-04X02	App A	–	28-11227-13	3-13	5
261N04X02	10-34	–	28-11227-13	3-13	10
261N04X02	10-34	–	28-11227-15	3-13	6
262N4	10-27	–	28-11227-15	3-13	8
262N4	10-27	–	28-11227-17	3-13	6
262N4	10-27	–	28-11227-19	3-13	–
264N 4	App A	–	28-11227-19	3-13	–
264N04	10-34	3	28-11227-21	3-13	8
264N04	App A	–	28-11227-23	3-13	–
264-N-04X02	App A	–	28-11227-23	3-13	–
264N4	10-27	4	28-11231-11	3-13	–
265N 4	App A	–	28-11233-1	3-13	15
265N04	App A	–	28-11233-13	3-13	–
265-N-04X02	App A	–	28-11233-5	3-13	18
267-1000–002	10-1	9	28-11236-11	3-13	19
267-1000–002	10-2	9	28-11236-13	3-13	13
268N 4X2	App A	–	28-11236-15	3-13	12
268N04X02	10-34	1	28-11236-17	3-13	20
268N04X02	App A	–	28-11236-19	3-13	22

ENSTROM TH-28/480 SERIES ILLUSTRATED PARTS CATALOG

PART NUMBER INDEX

Part Number	Figure	Item	Part Number	Figure	Item
28-11236-21	3-13	14	28-13120-1	7-8.1	4
28-11237-11	3-13	33	28-13122-3	7-8.2	10
28-11237-11	3-8	38	28-13122-993	7-8.2	–
28-11238-1	3-13	23	28-13137-11	7-8	26
28-11238-11	3-13	–	28-13142-1	7-6	6
28-11238-13	3-13	26	28-13142-1	7-8	–
28-11239-1	3-13	1	28-13145-1	7-11	–
28-11239-101	3-13	11	28-13145-1	8-5	30
28-11239-29	3-13	–	28-13146-1	7-8	–
28-11239-3	3-13	7	28-13146-1	7-8.1	–
28-11239-31	3-13	–	28-13148-1	7-8	12
28-11239-31	3-13	–	28-13148-1	7-8.1	9
28-11239-35	3-13	–	28-13149-1	7-8	13
28-11239-35	3-13	–	28-13149-1	7-8.1	10
28-11239-37	3-13	–	28-13152-11	7-8	–
28-11239-39	3-13	–	28-13152-11	7-8.1	–
28-11239-9	3-13	9	28-13152-13	7-8	31
28-11241-13	3-13	–	28-13152-13	7-8.1	28
28-11241-3	3-13	21	28-13180-11	7-6	8
28-11711-15	3-4	150	28-13180-11	7-6.1	7
28-11711-15	3-4	170	28-13184-11	7-6	15
28-11712-15	3-4	80	28-13184-11	7-6.1	14
28-11714-11	3-4	220	28-13322-11	7-6	12
28-11715-11	3-3	10	28-13322-11	7-6.1	11
28-12319-1	3-2	–	28-13323-11	7-6	10
28-12319-1	3-2	–	28-135003-11	7-11	3
28-12356-1	6-2	2	28-13511-11	7-11	21
28-12400-23	6-1	73	28-13511-13	7-11	21
28-12420-15	5-12	160	28-13515-3	7-11	5
28-12429-9	5-2	410	28-13525-9	7-11	1
28-12460-1	5-12	120	28-13531-11	7-11	16
28-12460-1	5-9	–	28-13532-11	7-11	19
28-125	10-11	3	28-13605-4	7-10	11
28-13005-1	7-7	2	28-13605-5	7-10	11
28-13107-15	7-8	18	28-13605-6	7-10	11
28-13107-15	7-8.1	15	28-13605-7	7-10	11
28-13120-1	7-8	7	28-13605-8	7-10	11

ENSTROM TH-28/480 SERIES ILLUSTRATED PARTS CATALOG

PART NUMBER INDEX

Part Number	Figure	Item	Part Number	Figure	Item
28-13607-1	7-11	22	28-14009-5	8-2	42
28-13611-13	7-10	6	28-14019-10	8-4	3
28-13611-15	7-10	6	28-14019-3	8-4	3
28-13621-13	6-10	25	28-14019-5	8-4	3
28-13621-13	7-10	17	28-14019-6	8-4	3
28-14004-1	8-1	40	28-14019-7	8-4	3
28-14004-1	8-2	47	28-14019-8	8-4	3
28-14006-11	8-1	30	28-14100-9	8-3	37
28-14006-11	8-2	35	28-14109-1	8-3	59
28-14006-13	8-1	30	28-14110-1	8-3	–
28-14006-13	8-2	35	28-14110-2	8-3	–
28-14006-15	8-1	30	28-14110-3	8-3	–
28-14006-15	8-2	35	28-14117-1	8-1	22
28-14006-17	8-1	30	28-14117-11	8-1	22
28-14006-17	8-2	35	28-14117-13	8-2	26
28-14006-19	8-1	30	28-14141-13-Kit	8-3	58
28-14006-19	8-2	35	28-14141-913	8-3	58
28-14006-3	8-1	30	28-14202-1	8-1	4
28-14006-3	8-2	35	28-14202-1	8-2	4
28-14006-5	8-1	30	28-14207-101	9-13	1
28-14006-5	8-2	35	28-14207-9	9-13	1
28-14006-7	8-1	30	28-14219-3	8-1	–
28-14006-7	8-2	35	28-14219-5	8-2	–
28-14006-9	8-1	30	28-14219-7	8-1	–
28-14006-9	8-2	35	28-14219-901	8-1	–
28-14007-3	8-3	38	28-14219-903	8-2	–
28-14008-1	8-1	39	28-14223-1	8-1	11
28-14008-1	8-2	46	28-14223-1	8-2	11
28-14009-1	8-1	37	28-14224-1	8-1	7
28-14009-1	8-2	42	28-14224-1	8-2	7
28-14009-10	8-2	42	28-14224-3	8-1	15
28-14009-15	8-2	42	28-14224-5	8-1	15
28-14009-2	8-1	37	28-14224-5	8-2	15
28-14009-2	8-2	42	28-14227-1	8-1	20
28-14009-3	8-1	37	28-14227-1	8-2	24
28-14009-3	8-2	42	28-14227-11	8-4	6
28-14009-5	8-1	37	28-14228-1	8-1	19

ENSTROM TH-28/480 SERIES ILLUSTRATED PARTS CATALOG

PART NUMBER INDEX

Part Number	Figure	Item	Part Number	Figure	Item
28-14231-1	8-3	5	28-14278-1	8-3	46
28-14233-3	8-4	1	28-14279-3	8-3	18
28-14234-901	8-3	1	28-14280-3	8-1	9
28-14234-909	8-3	–	28-14280-5	8-1	9
28-14235-1	8-1	38	28-14280-5	8-2	9
28-14236-1	8-1	24	28-14281-3	8-1	13
28-14236-1	8-1	29	28-14281-5	8-1	13
28-14236-1	8-2	28	28-14281-5	8-2	13
28-14236-1	8-2	34	28-14282-13	8-3	1
28-14236-1	8-4	4	28-14283-1	8-3	41
28-14239-1	8-3	34	28-14290-3	8-1	12
28-14239-5	8-3	34	28-14290-3	8-2	12
28-14240-1	8-3	2	28-14290-5	8-1	12
28-14244-1	8-1	8	28-14290-5	8-2	12
28-14244-1	8-2	8	28-14290-7	8-1	12
28-14250-1	8-1	–	28-14290-7	8-2	12
28-14250-1	8-2	–	28-14290-9	8-1	12
28-14250-1	9-13	23	28-14290-9	8-2	12
28-14250-3	9-13	24	28-14293-11	8-3	22
28-14251-1	8-1	25	28-14293-13	8-3	22
28-14251-1	8-2	29	28-14293-7	8-3	22
28-14251-2	8-1	26	28-14293-9	8-3	22
28-14251-2	8-2	30	28-14311-1	8-3	7
28-14252-1	8-1	10	28-14313-1	8-3	13
28-14252-1	8-1	14	28-14320-15	8-3	21
28-14256-1	8-1	31	28-14335-1	8-3	23
28-14256-1	8-2	36	28-14356-5	8-5	–
28-14257-1	8-1	32	28-14357-3	8-5	1
28-14257-1	8-2	37	28-14357-5	8-5	1
28-14259-1	8-6	7	28-14358-4	8-5	5
28-14259-3	9-13	20	28-14358-4	8-5	12
28-14261-1	8-3	10	28-14359-11	8-1	10
28-14262-1	9-13	4	28-14359-11	8-2	10
28-14265-3	8-5	10	28-14359-15	8-5	2
28-14270-1	8-3	19	28-14359-17	8-5	3
28-14276-1	8-5	2	28-14359-19	8-1	14
28-14277-1	8-5	3	28-14359-19	8-2	14

ENSTROM TH-28/480 SERIES ILLUSTRATED PARTS CATALOG

PART NUMBER INDEX

Part Number	Figure	Item	Part Number	Figure	Item
28-14366-1	8-5	21	28-150063-11	8-7	12
28-14367-7	8-5	22	28-150063-13	8-7	12
28-14368-2	7-8	29	28-150067-15	8-7	2
28-14368-2	7-8.1	26	28-150074-11	8-7	1
28-14368-2	8-5	23	28-150074-13	8-7	1
28-14369-1	8-5	27	28-150076-1	8-7	9
28-14370-17	8-5	6	28-150076-13	8-7	7
28-14374-13	8-5	29	28-150076-15	8-7	4
28-14374-15	8-5	29	28-150076-17	8-7	3
28-14375-103	8-5	–	28-150076-19	8-7	6
28-14375-107	8-5	–	28-150078-10	8-7	8
28-14375-906	8-5	–	28-150078-12	8-7	8
28-14375-907	8-5	–	28-150078-13	8-7	8
28-14375-908	8-5	–	28-150078-15	8-7	8
28-14381-1	8-3	–	28-150079-7	8-7	–
28-14381-3	8-3	–	28-150079-901	8-7	–
28-14381-901	8-3	28	28-15030-1	8-7	29
28-14381-902	8-3	26	28-15033-1	8-7	18
28-14381-903	8-3	1	28-15033-11	8-7	18
28-14382-19	8-3	32	28-15033-15	8-7	18
28-14382-21	8-3	27	28-15033-17	8-7	18
28-14383-13	8-3	–	28-15033-5	8-7	18
28-14384-13	8-3	–	28-16042-11	9-6	9
28-14385-13	8-3	1	28-16042-11	9-7	9
28-14385-15	8-3	1	28-16043-11	9-12	10
28-14386-3	8-3	18	28-16043-13	9-12	35
28-14386-5	8-3	18	28-16043-15	9-12	38
28-14387-13	8-3	–	28-16043-19	9-12	10
28-14389-11	8-3	–	28-16106-2	9-12	5
28-14389-13	8-3	–	28-16108-11	9-12	7
28-14390-11	8-5	8	28-16108-2	9-12	7
28-150001-9	8-7	19	28-16109-1	9-12	19
28-150044-5	8-7	20	28-16109-11	9-12	19
28-150055-1	8-7	14	28-16109-13	9-12	40
28-150055-13	8-7	14	28-16112-13	9-12	13
28-150055-15	8-7	14	28-16112-15	9-12	13
28-150060-11	8-7	11	28-16112-17	9-12	13

ENSTROM TH-28/480 SERIES ILLUSTRATED PARTS CATALOG

PART NUMBER INDEX

Part Number	Figure	Item	Part Number	Figure	Item
28-16113-1	9-12	15	28-16253-6	9-12	31
28-16116-1	9-11	18	28-16253-8	9-12	31
28-16116-11	9-11	18	28-16258-1	9-8	20
28-16119-5	9-11	7	28-16260-1	9-12	1
28-16124-1	9-10	11	28-16263-5	9-11	13
28-16125-3	9-12	9	28-16264-1	9-12	2
28-16125-4	9-12	9	28-16308-1	9-15	19
28-16125-5	9-12	9	28-16310-2	9-15	18
28-16126-1	9-12	14	28-16311-1	9-15	39
28-16129-2	9-10	10	28-16313-1	9-15	1
28-16143-1	9-12	32	28-16314-1	9-15	3
28-16143-3	9-12	32	28-16319-1	9-15	2
28-16156-1	9-2	–	28-16331-1	9-15	6
28-162004-11	9-8	28	28-16332-1	9-14	–
28-16201-1	9-3	19	28-16332-1	9-14	–
28-16203-1	9-2	37	28-16332-1	9-14	–
28-16203-1	9-8	26	28-16332-1	9-14	–
28-16206-11	9-13	12	28-16336-11	9-13	22
28-16215-1	9-7.1	34	28-16341-1	9-14	53
28-16215-1	9-7.2	27	28-16345-1	9-15	–
28-16219-1	9-10	4	28-16345-11	9-15	–
28-16222-1	9-8	28	28-16348-1	4-2	23
28-16223-19	9-11	17	28-16352-1	9-14	44
28-16224-5	9-11	19	28-16353-3	9-15	30
28-16225-19	9-11	20	28-16353-5	9-15	35
28-16226-5	9-11	16	28-16374-1	9-15	16
28-16227-3	9-11	12	28-16386-1	9-12	6
28-16229-13	9-8	29	28-16391-1	9-15	23B
28-16230-1	9-8	27	28-16391-3	9-15	23A
28-16231-1	9-8	31	28-16391-5	9-15	23A
28-16232-1	9-8	32	28-16392-13	9-15	12
28-16234-6	9-8	7	28-16394-11	9-15	7
28-16236-1	9-8	16	28-16395-1	9-15	17
28-16237-1	9-8	14	28-16396-2	9-15	–
28-16238-1	9-8	18	28-16397-11	9-15	13
28-16238-3	9-8	–	28-16398-901	9-15	23C
28-16239-4	9-8	9	28-16399-11	7-11	18

ENSTROM TH-28/480 SERIES ILLUSTRATED PARTS CATALOG

PART NUMBER INDEX

Part Number	Figure	Item	Part Number	Figure	Item
28-164043-11	6-6	22	28-16611-15	9-3	25
28-16476-2	6-1	30	28-16613-3	9-3	28
28-16524-1	9-9	15	28-16614-5	9-3	32
28-16524-3	7-8	32	28-16615-1	9-3	27
28-16524-3	7-8.1	29	28-16617-1	9-3	43
28-16524-3	9-1	31	28-16620-1	9-3	2
28-16524-3	9-11	14	28-16623-1	9-3	42
28-16524-3	9-12	24	28-16624-11	9-3	34
28-16524-3	9-9	15	28-16625-1	9-2	36
28-16524-4	9-1	31	28-16628-1	9-3	26
28-16524-4	9-11	14	28-16630-3	9-3	1
28-16524-4	9-12	24	28-16630-4	9-3	1
28-16524-4	9-9	15	28-16632-1	9-3	12
28-16524-5	7-8	32	28-16633-1	9-3	7
28-16524-5	7-8.1	29	28-16636-5	9-3	–
28-16524-5	9-1	31	28-17101-1	4-1	32
28-16524-5	9-11	14	28-17101-7	4-1	32
28-16524-5	9-12	24	28-17123-1	4-4	22
28-16524-5	9-9	15	28-17123-11	4-4	22
28-16524-6	9-1	31	28-17144-1	4-4	2
28-16524-6	9-11	14	28-17144-5	4-4	2
28-16524-6	9-12	24	28-17145-1	4-4	8
28-16524-6	9-9	15	28-17146-7	4-4	1
28-16524-7	9-1	31	28-17146-907	4-4	–
28-16524-7	9-11	14	28-17147-3	4-4	14
28-16524-7	9-12	24	28-17149-1	4-4	6
28-16524-7	9-9	15	28-17150-1	3-1	340
28-16524-8	9-1	31	28-17150-1	4-1	34
28-16524-8	9-11	14	28-17151-1	4-4	7
28-16524-8	9-12	24	28-17155-1	4-4	11
28-16524-8	9-9	15	28-17156-1	4-4	10
28-16601-1	9-3	23	28-17156-3	4-4	10
28-16603-1	9-3	24	28-17157-1	4-4	9
28-16604-1	9-3	21	28-17164-11	3-20	80
28-16608-13	9-3	15	28-17164-11	4-2	27
28-16609-1	9-3	4	28-17164-13	3-20	20
28-16610-1	9-3	5	28-17200-15	3-9	8

ENSTROM TH-28/480 SERIES ILLUSTRATED PARTS CATALOG

PART NUMBER INDEX

Part Number	Figure	Item	Part Number	Figure	Item
28-17203-1	3-10	17	3/8-6R	3-21	–
28-17203-11	3-10	17	300-097	6-4	–
28-17205-1	3-9	6	3001-127-470Sep 27/180C- 6.3M	10-22	1
28-17206-11	3-10	15	3001-127-470Sep 27/180C- 6.3M	App A	–
28-17206-13	3-10	14	3001-127-47018	10-22	1
28-17206-13	3-9	7	3001-127-47018	App A	–
28-17206-17	3-10	12	300-166	6-5	13
28-17206-19	3-10	16	313	10-1	–
28-17208-11	3-10	4	313	10-1	–
28-17308-1	8-7	22	313	10-1	–
28-18009-13	3-20	120	313	10-2	–
28-18009-17	3-20	120	313	10-2	–
28-18009-2	3-20	120	313	10-2	–
28-18009-21	3-20	120	313	10-2	–
28-18009-3	3-20	120	313	10-3	–
28-19048-11	10-23	12	313	10-3	–
28-19061-11	3-20	130	313	10-3	–
28-20107-11	3-20	40	313	10-4	–
28-21009-13	10-28	6	313	10-4	–
28-22184-11	10-38	110	313	10-4	–
28-22184-11	10-39	100	313	11-6	–
28-41	10-11	2	32005-023	6-1	16
286377	10-10	1	32005-023	6-1	17
286377	11-6	–	3205A35	7-8	30
286377	11-6	–	3205A35	7-8.1	27
286377	11-6	–	321620	7-1.1	160
28NBC2040YZP	8-1	23	323101A575ZB	6-1	52
28NBC2040YZP	8-1	36	327	10-1	–
28NBC2040YZP	8-2	27	327	10-1	–
2D7310	7-8	17	327	10-1	–
2D7310	7-8.1	14	327	10-2	–
2D8934	7-8	17	327	10-2	–
2D8934	7-8.1	14	327	10-2	–
3/8 Harper	3-7	5	327	10-3	–
3/8 Harper	8-3	56	327	10-3	–
3/8 Harper	9-12	23	327	10-3	–
3/8 Harper	9-8	30	327	10-4	–

ENSTROM TH-28/480 SERIES ILLUSTRATED PARTS CATALOG

PART NUMBER INDEX

Part Number	Figure	Item	Part Number	Figure	Item
327	10-4	–	381N-500	App A	–
327	10-5	–	381N-500-S	10-1	29
327	10-6	–	381N-500-S	10-2	29
32NBC2044YZP	8-3	11	381N-500-S	10-7	10
331008-13	3-17	10	381N-500-S	10-8	10
331008-2	3-17	7	381N-500-S	10-9	11
331281-34W	3-18	8	381N-500-S	App A	–
331281-34W	3-18	17	3-902 E515-80	8-5	25
331281-29W	3-17	15	3-902 V747-75	7-1.1	20
331381-48W	3-17	30	3-902 V747-75	7-1.1	140
34-0428020-65	10-31	2	3-902 V747-75	7-1.1	190
34-0428020-65	App A	–	3-903 V747-75	7-1.1	210
34-0428070-64	10-31	4	3-903 V747-75	7-1.1	230
34-0428070-64	App A	–	3-910 E515-80	8-5	24
34256	7-8	25	3SNE094A-72	6-6	1
34256	7-8.1	22	3SNE094A-72	App A	–
3519-6	6-9	–	3SNE-094A-72	App A	–
35574	7-8	14	3-SNE-094A-72	App A	–
35574	7-8.1	11	4 C5OX-S	6-1	25
36-0050626-01	10-32	6	4016-1	3-3	19
3621	10-13	28	408764B	6-1	–
3621	10-14	–	409140	6-1	52
3621	10-15	1	40NBC2052YZP	8-3	9
3659-03	10-22	11	4101501-3	3-1	–
369583	7-1.1	160	4110040-201	3-1	300
369H8011	6-3	28	4112000-103	3-7	1
38-0130090-00	10-31	9	4112000-7	3-7	1
38-0130090-00	App A	–	4112000-9	3-7	1
38-0130107-00	10-31	7	4112000-903	3-1	310
38-0130107-00	App A	–	4112003-11	3-8	33
38-0130878-01	10-32	5	4112003-12	3-8	34
38-0230021-00	10-31	5	4112003-13	3-8	36
38-0230021-00	App A	–	4112003-14	3-8	37
38-0230021-01	10-32	3	4112004-1	3-8	1
38-0250901-00	10-32	1	4112011-5	3-9	12
381N500	10-9	11	4112025-11	3-1	130
381N500	App A	–	4112025-11	3-7	6

ENSTROM TH-28/480 SERIES ILLUSTRATED PARTS CATALOG

PART NUMBER INDEX

Part Number	Figure	Item	Part Number	Figure	Item
4112025-13	3-1	140	4114014-15	3-14	–
4112025-13	3-7	7	4114018-1	3-1	290
4112025-15	3-1	150	4114020-1	3-1	270
4112025-15	3-7	8	4114023-901	3-1	10
4112025-17	3-1	160	4114026-3	3-2	13
4112025-17	3-7	9	4114026-4	3-2	14
4112025-19	3-1	170	4114029-1	3-2	13
4112025-19	3-7	10	4114029-2	3-2	14
4112034-11	3-12	–	4114030-3	3-1	30
4112034-13	3-12	6	4114037-1	10-17	23
4112034-15	3-12	10	4114039-11	10-17	20
4112034-15	3-9	8	4114039-15	10-17	20
4112034-23	3-12	2	4115000-1	10-35	5
4112034-25	3-12	6	4115001-21	11-6	60
4112034-3	3-12	1	4115004-1	3-21	90
4112034-37	3-12	–	4115004-3	3-21	100
4112035-5	3-12	11	4115005-1	3-21	70
4114002-13	3-3	12	4115005-3	3-21	80
4114002-14	3-3	13	4115005-9	3-21	–
4114002-21	3-3	6	4115013-1	3-21	140
4114002-21	3-6	30	4115014-17	3-21	–
4114002-22	3-3	7	4115014-18	3-21	–
4114002-22	3-6	40	4115014-19	3-21	–
4114002-23	3-3	4	4115014-21	3-21	–
4114002-24	3-3	5	4115014-22	3-21	–
4114002-29	3-3	1	4115020-1	3-21	210
4114002-30	3-3	2	4118255-39	3-3	3
4114002-31	3-3	14	4118260-5	3-6	310
4114002-32	3-3	15	4118260-6	3-6	320
4114002-919	3-3	8	4118268-11	3-4	10
4114002-920	3-3	9	4118268-12	3-4	20
4114009-3	3-6.1	390	4118268-13	3-4	10
4114009-4	3-6.1	400	4118268-14	3-4	20
4114010-11	3-2	15	4118269-11	3-4	120
4114014-11	3-14	–	4118269-12	3-4	130
4114014-13	3-14	–	4118270-1	3-4	60
4114014-14	3-14	–	4118270-2	3-4	70

ENSTROM TH-28/480 SERIES ILLUSTRATED PARTS CATALOG

PART NUMBER INDEX

Part Number	Figure	Item	Part Number	Figure	Item
4118271-1	3-4	100	4118291-7	3-6	460
4118271-2	3-4	110	4118291-8	3-6	470
4118272-1	3-4	–	4118291-9	3-6	920
4118272-2	3-4	–	4118292-1	3-6	280
4118272-3	3-4	–	4118292-13	3-6	330
4118272-4	3-4	–	4118292-17	3-6	140
4118278-21	3-6.1	120	4118292-17	3-6	340
4118278-21	3-6.1	360	4118292-29	3-6	660
4118278-23	3-6.1	110	4118292-3	3-6	130
4118278-23	3-6.1	350	4118292-30	3-6	670
4118281-1	3-6.1	20	4118292-33	3-6	540
4118281-19	3-6.1	190	4118292-34	3-6	550
4118281-2	3-6.1	30	4118292-35	3-6	760
4118281-21	3-6.1	380	4118292-36	3-6	770
4118281-3	3-6.1	60	4118292-43	3-6	400
4118281-4	3-6.1	70	4118292-43	3-6	830
4118284-1	3-6.1	150	4118292-47	3-6	290
4118284-1	3-6.1	330	4118292-5	3-6	790
4118284-13	3-6.1	180	4118292-6	3-6	800
4118284-13	3-6.1	370	4118292-7	3-6	610
4118290-15	3-6.1	260	4118292-8	3-6	620
4118290-16	3-6.1	290	4118294-17	3-6	880
4118290-17	3-6.1	300	4118294-18	3-6	890
4118290-18	3-6.1	310	4118294-19	3-6	230
4118290-21	3-6.1	320	4118294-20	3-6	240
4118290-33	3-6.1	280	4118294-25	3-6	500
4118291-10	3-6	930	4118294-26	3-6	420
4118291-101	3-6	360	4118294-26	3-6	510
4118291-102	3-6	370	4118308-11	3-6	680
4118291-13	3-6	630	4118308-12	3-6	690
4118291-13	3-6	810	4118308-13	3-6	850
4118291-25	3-6	210	4118308-14	3-6	860
4118291-25	3-6	380	4118309-903	3-6	50
4118291-25	3-6	480	4118309-904	3-6	60
4118291-25	3-6	940	4118310-1	3-6.1	–
4118291-5	3-6	190	4118310-2	3-6.1	–
4118291-6	3-6	200	4118310-5	3-6	10

ENSTROM TH-28/480 SERIES ILLUSTRATED PARTS CATALOG

PART NUMBER INDEX

Part Number	Figure	Item	Part Number	Figure	Item
4118310-6	3-6	20	4119327-3	3-2	5
4118310-905	3-1	250	4119328-13	3-2	–
4118310-905	3-6	–	4119328-14	3-2	–
4118310-906	3-1	–	4119328-15	3-2	–
4118310-906	3-6	–	4119328-16	3-2	–
4118312-21	3-6	70	4119329-3	3-2	3
4118312-22	3-6	80	4119329-4	3-2	4
4118313-1	3-6	430	4119329-5	3-2	5
4118788-13	3-14	–	4119333-3	5-1	17
4118788-15	3-14	–	4119333-3	5-3	9
4118788-17	3-14	–	4119333-3	5-4	9
4118798-5	9-14	61	4119333-4	5-1	18
4118798-7	9-14	65	4119333-4	5-3	10
4118805-11	9-1	17	4119333-4	5-4	10
4118805-12	9-1	18	4119334-3	3-2	1
4118805-13	9-1	19	4119334-4	3-2	2
4118824-11	9-1	15	4119343-11	3-2	–
4118824-12	9-1	16	4119343-13	3-2	–
4118824-17	9-1	15	4119344-901	3-2	6
4118824-18	9-1	16	4119344-903	3-2	8
4118850-900	3-1	360	4119344-905	3-2	8
4118892-11	4-1	17	4119345-15	3-2	–
4119315-3	3-2	28	4119345-15	3-2	–
4119315-4	3-2	29	4119345-5	3-2	–
4119316	3-2	–	4119345-5	3-2	–
4119316-5	3-2	20	4119345-902	3-2	10
4119316-6	3-2	21	4119348-901	3-2	12
4119316-903	3-2	16	4119350-902	3-1	240
4119319-13	3-2	–	4119351-11	6-3	40
4119319-17	3-2	–	4119351-13	3-2	–
4119319-3	3-2	–	4119351-13	3-2	–
4119319-3	3-2	–	4119351-13	3-2	–
4119319-7	3-2	–	4119351-15	6-3	40
4119319-7	3-2	–	4119351-15	6-3	41
4119327-1	3-2	–	4119351-17	6-3	41
4119327-13	3-2	–	4119351-19	3-2	–
4119327-14	3-2	–	4119351-19	3-2	–

ENSTROM TH-28/480 SERIES ILLUSTRATED PARTS CATALOG

PART NUMBER INDEX

Part Number	Figure	Item	Part Number	Figure	Item
4119351-19	3-2	–	4119525-110	6-1.1	360
4119352-13	3-2	–	4119525-15	6-1.1	390
4119352-15	3-2	–	4119525-19	6-1.1	–
4119352-16	3-2	–	4119525-21	6-1.1	–
4119355-11	3-2	–	4119525-23	6-1.1	40
4119356-3	3-2	3	4119525-25	6-1.1	280
4119356-4	3-2	4	4119525-27	6-1.1	210
4119357-1	3-2	9	4119525-29	6-1.1	220
4119357-13	3-2	–	4119525-3	6-1.1	300
4119357-902	3-2	9	4119525-33	6-1.1	60
4119358-3	3-2	7	4119525-37	6-1.1	20
4119361-13	3-2	30	4119525-41	6-1.1	80
4119364-13	3-2	–	4119525-43	6-1.1	70
4119365-13	3-2	–	4119525-45	6-1.1	50
4119366-1	3-2	7	4119525-47	6-1.1	260
4119500-107	6-1.1	–*	4119525-49	6-1.1	90
4119518-11	6-1.1	420	4119525-5	6-1.1	380
4119519-21	5-3	18	4119525-51	6-1.1	250
4119519-21	5-4	18	4119525-61	6-1.1	140
4119519-23	6-1.1	450	4119525-63	6-1.1	–
4119519-25	6-1.1	460	4119525-64	6-1.1	–
4119519-25	9-5	30	4119525-65	6-1.1	160
4119519-27	6-1.1	470	4119525-66	6-1.1	170
4119519-27	9-2	63	4119526-1	6-1.1	10
4119519-29	6-1.1	480	4119742-1	3-18	51
4119521-1	10-22	12	4119742-3	3-18	52
4119522-15	5-3	19	4119743-11	3-17	–
4119522-15	5-4	19	4119744-1	3-17	31
4119522-16	5-3	19	4119745-11	3-17	36
4119522-16	5-4	19	4119746-17	3-17	17
4119525-53	6-1.1	–	4119750-5	3-14	–
4119525-55	6-1.1	–	4119750-7	3-14	–
4119525-101	6-1.1	190	4119756-17	3-18	36
4119525-103	6-1.1	200	4119756-21	3-18	30
4119525-105	6-1.1	130	4119758-21	3-17	23
4119525-107	6-1.1	150	4119758-23	3-17	23
4119525-109	6-1.1	350	4119759-3	3-1	90

ENSTROM TH-28/480 SERIES ILLUSTRATED PARTS CATALOG

PART NUMBER INDEX

Part Number	Figure	Item	Part Number	Figure	Item
4119760-3	3-15	2	4119782-3	3-18	–
4119760-3	3-16	–	4119782-901	3-18	2
4119760-5	3-15	1	4119782-903	3-18	11
4119760-5	3-16	–	4119783-19	3-18	–
4119760-903	3-1	20	4119783-21	3-18	–
4119760-905	3-1	70	4119783-23	3-18	–
4119761-5	3-17	1	4119783-23	3-18	–
4119761-7	3-17	1	4119783-25	3-16	2
4119762-5	3-16	1	4119783-31	3-18	–
4119764-19	3-15	3	4119783-31	3-18	–
4119764-21	3-15	6	4119784-15	3-17	26
4119764-23	3-15	5	4119785-15	3-17	19
4119764-25	3-15	4	4119785-21	3-17	2
4119764-27	3-15	4	4119786-1	3-18	–
4119764-29	3-15	6	4119786-3	3-18	–
4119764-31	3-15	5	4119786-901	3-18	–
4119764-33	3-15	3	4119788-15	3-17	21
4119765-17	3-16	6	4119789-19	3-17	6
4119765-19	3-16	5	4119791-13	3-17	29
4119768-19	3-17	3	4119791-15	3-18	7
4119768-21	3-17	4	4119791-15	3-18	16
4119775-101	3-18	10	4119795-1	3-18	–
4119775-103	3-1	80	4119795-3	3-18	–
4119775-9	3-18	1	4119795-901	3-18	53
4119780-11	3-18	24	4119795-903	3-18	53
4119780-19	3-17	11	4119796-11	3-18	44
4119780-23	3-16	14	4119796-13	3-18	44
4119780-25	3-18	27	4119797-1	3-18	43
4119780-25	3-18	38	4119798-1	3-21	35
4119780-29	3-18	35	4119798-3	3-21	35A
4119781-11	3-18	19	4119799-25	3-18	39
4119781-12	3-18	21	4119799-27	3-18	41
4119781-13	3-18	20	4119801-1	3-21	–
4119781-15	3-18	19	4119804-21	3-21	21
4119781-16	3-18	21	4119804-21	9-14	–
4119781-17	3-18	20	4119804-22	3-21	22
4119782-1	3-18	–	4119804-22	9-14	–

ENSTROM TH-28/480 SERIES ILLUSTRATED PARTS CATALOG

PART NUMBER INDEX

Part Number	Figure	Item	Part Number	Figure	Item
4119804-23	3-21	23	4119863-11	3-16	–
4119804-23	9-14	–	4119865-5	10-35	1
4119804-24	3-21	24	4119865-7	10-35	1
4119804-24	9-14	–	4119870-3	3-21	40
4119812-1	3-21	270	4119871-3	3-21	50
4119812-2	3-21	280	4119872-3	3-21	60
4119835-23	5-12	150	4119873-1	3-21	200
4119835-27	3-20	70	4119873-11	10-11	1
4119835-27	5-11	170	4119873-13	10-11	4
4119835-31	3-20	60	4119878-11	3-16	–
4119835-31	5-12	150	4119878-12	3-16	–
4119835-31C480	3-20	110	4119879-11	3-18	–
4119835-31C480B	3-20	110	4119879-11	3-18	–
4119835-31GRD	3-20	30	4119879-13	3-18	–
4119835-33	11-6	–	4119879-13	3-18	–
4119835-33	11-6	–	4119880-11	3-18	–
4119835-35	11-6	–	4119884-1	3-21	30
4119839-13	3-6.1	50	4119884-11	3-18	56
4119840-11	10-11	5	4119884-12	3-18	57
4119841-5	3-21	110	4119884-13	3-18	54
4119842-5	3-19	1	4119884-15	3-18	55
4119844-15	3-19	9	4119884-19	3-18	–
4119844-17	3-19	9	4119884-21	3-18	–
4119845-11	3-19	4	4119884-21	3-18	–
4119849-1	3-21	120	4119887-11	10-35	2
4119849-3	3-21	130	4119887-13	10-35	2
4119849-901	3-16	–	4119887-911	10-35	2
4119849-902	3-16	8	4119889-1	3-21	240
4119849-902	3-17	–	4119889-2	3-21	250
4119849-903	3-16	8	4119890-5	11-5	330
4119849-903	3-17	–	4119890-6	10-35	7
4119855-11	3-19	17	4119890-6	11-4	18
4119855-11	9-14	–	4119890-6	11-5	350
4119858-13	3-19	11	4119890-7	10-35	6
4119861-1	3-21	20	4119890-7	11-4	13
4119862-11	3-18	–	4119891-7	3-21	10
4119862-13	3-18	–	4119892-11	3-20	140

ENSTROM TH-28/480 SERIES ILLUSTRATED PARTS CATALOG

PART NUMBER INDEX

Part Number	Figure	Item	Part Number	Figure	Item
4119893-3	10-35	3	4120029-11	6-1	69
4119894-15	11-1	40	4120029-13	6-1	70
4119894-17	11-4	9	4120030-1	10-20	1
4119894-17	11-5	60	4120030-3	10-20	9
4119894-19	11-1	41	4120030-5	10-20	11
4119894-21	6-5	9	4120031-1	6-1	45
4119894-23	6-5	8	4120032-11	6-1	46
4119895-1	11-4	18	4120032-13	6-1	45
4119895-3	11-4	13	4120033-1	6-1	66
4119913-11	3-20	50	4120033-3	6-1	67
4119914-11	3-20	90	4120034-1	6-1	65
4119917-11	5-11	170	4120035-11	6-1	72
4120011-11	6-1	53	4120036-1	6-4	–
4120012-13	6-1	96	4120038-23	5-5	–
4120012-15	6-1	97	4120038-23	5-5	–
4120012-17	6-1	98	4120038-25	5-5	–
4120012-19	6-1	99	4120040-3	6-13	4
4120012-21	6-1	89	4120040-4	6-13	5
4120012-22	6-1	90	4120040-5	6-13	2
4120013-21	6-1	100	4120040-6	6-13	3
4120016-3	6-1	48	4120045-5	6-13	1
4120016-4	6-1	49	4120045-9	6-13	1
4120016-5	6-1	48	4120046-11	6-1	42
4120016-6	6-1	49	4120046-13	6-1	42
4120016-7	6-1	48	4120046-15	6-1	42
4120016-8	6-1	49	4120046-17	6-1	42
4120017-3	6-14	1	4120500-901	6-3	–
4120018-1	6-14	2	4120506-11	6-3	1
4120021-1	6-1	21	4120507-1	6-3	4
4120022-13	6-1	83	4120509-1	6-3	–
4120025-15	6-4	10	4120509-11	6-3	17
4120026-13	6-4	21	4120509-17	6-3	17
4120026-15	6-4	21	4120509-3	6-3	–
4120027-1	11-2	4	4120510-3	6-3	22
4120027-1	11-2	20	4120510-5	6-3	22
4120027-1	6-4	8	4120510-905	6-3	22
4120028-1	6-1	71	4120511-1	6-4	2

ENSTROM TH-28/480 SERIES ILLUSTRATED PARTS CATALOG

PART NUMBER INDEX

Part Number	Figure	Item	Part Number	Figure	Item
4120513-3	6-4	–	4122015-23	11-2	12
4130514-11	6-3	5	4122015-23	11-2	28
4120515-1	6-3	11	4122015-23	6-4	13
4120515-3	6-3	13	4122015-25	5-8	17
4120515-5	6-4	37	4122015-25	5-8	45
4120515-7	6-4	35	4122015-25	5-8	86
4120516-11	6-3	18	4122016-23	5-4	25
4120516-13	6-3	19	4122016-5	5-3	22
4120517-11	6-1	13	4122017-11	5-8	21
4120517-13	6-1	14	4122019-13	5-3	11
4120517-15	6-4	23	4122021-1	5-3	3
4120517-17	6-4	25	4122021-1	5-4	3
4120521-11	6-3	34	4122022-11	5-3	4
4120525-11	6-3	35	4122022-11	5-4	4
4120525-13	6-3	35	4122024-17	5-8	34
4120525-15	6-3	36	4122024-17	5-8	75
4120532-9	6-3	–	4122024-5	5-8	8
4122000-9	9-15	–	4122025-3	5-5	19
4122005-19	5-2	80	4122025-3	5-6	25
4122005-20	5-2	50	4122026-3	5-12	220
4122005-39	5-2	20	4122026-5	5-12	350
4122005-41	5-2	70	4122026-7	5-8	26
4122005-43	5-2	60	4122026-7	5-8	67
4122005-49	5-2	270	4122026-7	5-8	94
4122009-1	5-3	1	4122026-9	5-5	29A
4122009-1	5-4	1	4122028-3	5-5	38
4122009-2	5-3	2	4122029-1	5-5	32
4122009-4	5-4	2	4122029-1	5-6	38
4122014-15	5-6	2	4122029-15	5-5	34
4122015-11	6-4	13	4122029-15	5-6	40
4122015-15	6-1	78	4122029-3	5-5	24
4122015-17	5-8	14	4122029-3	5-6	30
4122015-19	5-8	17	4122029-7	5-5	34A
4122015-19	5-8	45	4122030-101	5-5	46
4122015-19	5-8	86	4122030-105	5-5	45
4122015-21	11-2	12	4122030-5	5-5	1
4122015-21	11-2	28	4122030-5	5-6	1

ENSTROM TH-28/480 SERIES ILLUSTRATED PARTS CATALOG

PART NUMBER INDEX

Part Number	Figure	Item	Part Number	Figure	Item
4122030-7	5-5	3	4122043-11	7-1.1	121
4122030-9	5-5	44	4122044-1	5-2	200
4122034-11	5-3	7	4122044-2	5-2	160
4122034-11	5-4	7	4122045-1	7-7	10
4122034-11	5-7	11	4122047-17	5-2	580
4122035-1	5-5	33	4122047-17	5-2	650
4122035-11	5-6	39	4122047-18	5-2	590
4122035-13	5-6	29	4122047-19	5-2	560
4122035-13	5-6	31	4122047-19	5-2	680
4122035-1	5-5	25	4122047-20	5-2	570
4122035-3	5-5	23	4122048-1	5-4	20
4122035-5	5-5	12	4122048-3	5-1	12
4122036-3	5-12	130	4122049-13	5-8	4
4122036-5	5-9	12	4122049-13	5-8	30
4122036-7	5-12	130	4122049-19	5-8	4
4122036-7	5-9	12	4122049-19	5-8	30
4122037-11	5-5	28	4122049-19	5-8	71
4122037-11	5-6	34	4122049-3	5-8	1
4122037-12	5-5	27	4122049-3	5-8	27
4122037-12	5-6	33	4122049-5	5-8	1
4122037-13	5-5	28	4122049-5	5-8	27
4122037-13	5-6	34	4122049-5	5-8	68
4122037-14	5-5	27	4122050-7	5-11	—
4122037-14	5-6	33	4122051-101	5-11	250
4122038-11	5-2	320	4122051-101	5-8	—
4122038-13	5-2	330	4122051-5	5-8	—
4122038-15	5-2	340	4122051-7	5-8	—
4122038-17	5-2	350	4122051-9	5-8	—
4122040-11	6-1	62	4122052-1	5-1	—
4122041-3	5-3	8	4122052-10	5-1	—
4122041-3	5-4	8	4122052-2	5-1	—
4122042-1	6-1	59	4122052-3	5-1	—
4122042-101	6-1	58	4122052-4	5-1	—
4122042-3	6-1	58	4122052-5	5-1	—
4122042-5	6-1	37	4122052-6	5-1	—
4122042-9	6-1	59	4122052-7	5-1	—
4122043-11	6-1	34	4122052-8	5-1	—

ENSTROM TH-28/480 SERIES ILLUSTRATED PARTS CATALOG

PART NUMBER INDEX

Part Number	Figure	Item	Part Number	Figure	Item
4122052-101	5-1	–	4122068-11	5-4	24
4122052-102	5-1	–	4122069-11	5-4	33
4122053-13	5-1	4	4122070-1	5-7	7
4122053-17	5-7	1	4122071-1	5-1	26
4122053-19	5-7	1	4122071-13	5-1	–
4122054-3	5-1	–	4122071-13	5-3	–
4122054-903	5-1	1	4122071-13	5-4	–
4122054-904	5-1	2	4122074-11	5-1	22A
4122054-906	5-1	–	4122074-903	5-3	12
4122055-3	5-7	5	4122074-903	5-4	12
4122056-11	5-7	3	4122074-905	5-1	22
4122057-1	5-1	7	4122078-1	5-8	36
4122057-2	5-1	8	4122078-3	5-8	77
4122057-3	5-1	7	4122078-5	5-8	77
4122057-3	5-7	–	4122080-11	5-8	43
4122057-4	5-1	8	4122080-11	5-8	84
4122057-4	5-7	–	4122080-13	5-8	49
4122058-901	5-1	–	4122080-17	5-8	32
4122058-902	5-1	–	4122080-17	5-8	73
4122059-3	5-5	9	4122080-19	5-8	79
4122060-1	5-7	4	4122081-1	5-8	39
4122061-5	3-1	280	4122081-1	5-8	80
4122061-5	5-2	–	4122081-15	5-8	80
4122062-11	5-2	380	4122081-3	5-8	46
4122062-13	5-2	390	4122081-5	5-8	80
4122064-3	5-9	1	4122082-11	5-8	37
4122065-15	5-1	25	4122082-11	5-8	78
4122065-17	5-4	31	4122083-1	5-8	62
4122065-19	5-4	29	4122083-17	5-8	60
4122065-21	5-1	16	4122083-19	5-8	63
4122065-23	5-1	24	4122083-21	5-8	–
4122065-23	5-4	11	4122083-3	5-8	64
4122065-23	5-4	30	4122084-1	5-1	30
4122065-25	5-1	21	4122084-13	5-1	33
4122065-27	5-1	10	4122085-13	5-2	610
4122065-33	5-1	27	4122085-13	5-2	740
4122065-35	5-1	34	4122085-14	5-2	620

ENSTROM TH-28/480 SERIES ILLUSTRATED PARTS CATALOG

PART NUMBER INDEX

Part Number	Figure	Item	Part Number	Figure	Item
4122085-15	5-2	630	4129054-41	5-7	12
4122085-16	5-2	640	4129054-41	6-1	43
4122085-21	5-2	660	4129054-43	5-12	330
4122085-22	5-2	670	4129054-45	6-1	1
4122085-24	5-2	620	4129054-5	6-1	3
4122086-11	5-2	10	4129054-7	6-1	1
4122086-12	5-2	40	4129054-7	6-9	17
4122087-11	5-8	42	4129054-9	6-9	19
4122087-11	5-8	83	4129100-11	6-9	9
4122088-1	5-1	14	4129100-9	6-9	—
4122088-3	5-1	14	4129100-902	6-9	—
4122088-5	5-1	14	4129101-101	6-10	—
4129054-1	6-9	21	4129101-103	6-10	—
4129054-105	6-1	5	4129101-105	6-10	—
4129054-11	6-9	21	4129101-5	6-10	1
4129054-13	5-3	6	4129101-7	6-10	1
4129054-13	5-4	6	4129101-9	6-10	—
4129054-13	5-7	12	4129101-905	6-10	—
4129054-13	6-1	43	4129101-907	6-10	—
4129054-13	6-9	15	4129102-105	6-10	21
4129054-17	6-9	17	4129102-107	6-10	21
4129054-19	6-9	19	4129102-13	6-10	21
4129054-25	5-3	6	4129102-15	6-10	21
4129054-25	5-4	6	4129103-11	6-10	8
4129054-25	6-9	15	4129104-21	6-10	18
4129054-27	5-12	330	4129107-13	6-11	1
4129054-29	6-9	15	4129107-13	6-12	1
4129054-3	5-7	12	4129108-11	6-11	2
4129054-3	6-1	43	4129108-13	6-12	3
4129054-3	6-9	15	4129108-15	6-11	3
4129054-31	6-9	17	4129111-1	6-11	11
4129054-33	6-9	19	4129111-3	6-12	13
4129054-35	6-9	21	4129112-11	6-9	26
4129054-37	6-1	3	4129113-1	6-11	23
4129054-39	5-3	6	4129113-1	6-12	25
4129054-39	5-4	6	4129113-3	6-12	25
4129054-39	6-1	5	4129116-1	6-12	4

ENSTROM TH-28/480 SERIES ILLUSTRATED PARTS CATALOG

PART NUMBER INDEX

Part Number	Figure	Item	Part Number	Figure	Item
4129117-11	6-10	15	4129523-21	11-5	130
4129117-13	6-10	15	4129524-11	11-4	4
4129117-15	6-10	15	4129524-11	11-5	240
4129117-17	6-10	15	4129530-1	11-4	1
4129117-19	6-10	15	4129530-1	11-5	120
4129117-21	6-10	15	4129533-11	11-5	50
4129118-15	6-12	16	4129533-11	6-5	7
4129119-11	6-10	11	4129533-13	11-5	70
4129120-1	6-11	20	4129533-13	6-5	11
4129120-1	6-12	22	4129533-15	6-5	10
4129120-13	6-11	17	4129534-11	6-5	1
4129120-13	6-12	19	4129535-11	6-5	4
4129121-1	6-11	16	4129535-13	6-5	3
4129121-1	6-12	18	4129538-15	6-5	2
4129124-11	6-9	40	4129538-17	6-5	2
4129125-11	6-11	15	4129540-11	11-2	9
4129125-11	6-12	17	4129540-11	11-2	25
4129125-15	6-11	9	4129540-13	11-2	9
4129125-15	6-12	11	4129540-13	11-2	25
4129125-17	6-11	10	4129540-15	11-2	9
4129125-17	6-12	12	4129540-15	11-2	25
4129126-13	6-10	2	4129541-1	11-2	1
4129126-15	6-10	2	4129542-1	11-2	17
4129129-1	6-10	1	4129543-1	11-3	8
4129129-3	6-10	1	4129543-3	11-3	8
4129129-5	6-10	1	4129548-11	11-4	15
4129136-11	6-9	53	4129548-13	11-4	16
4129136-13	6-9	54	4129548-15	11-5	10
4129136-15	6-9	55	4129548-17	11-5	20
4129500-29	11-4	10	4129548-3	11-5	–
4129501-901	11-1	34	4129549-11	6-5	15
4129501-901	11-2	–	4129550-11	11-1	21
4129501-902	11-1	36	4129551-11	11-1	20
4129501-902	11-2	–	4129552-1	11-1	13
4129518-1	6-1	15	4129553-1	11-1	6
4129522-13	11-5	180	4129554-1	11-1	2
4129522-17	11-5	160	4129555-1	11-1	9

ENSTROM TH-28/480 SERIES ILLUSTRATED PARTS CATALOG

PART NUMBER INDEX

Part Number	Figure	Item	Part Number	Figure	Item
4129556-1	11-1	8	4130021-25	7-8	18
4129557-11	11-3	6	4130021-25	7-8.1	15
4129557-13	11-3	5	4130030-1	7-8	–
4129558-11	11-1	26	4130030-3	7-6	–
4129559-1	11-1	14	4130031-1	7-9	20
4129559-1	11-3	–	4130032-1	7-9	19
4129560-1	11-1	33	4130032-3	7-9	17
4129560-3	11-1	35	4130032-5	7-9	17
4129560-5	11-4	8	4130032-7	7-9	29
4129560-5	11-5	30	4130032-9	7-9	17
4129560-7	6-4	29	4130033-1	7-9	8
4129560-7	6-5	17	4130033-17	7-9	–
4129560-9	6-1	77	4130034-11	7-9	2
4129560-9	6-5	18	4130034-13	7-9	3
4129561-11	11-1	44	4130034-15	7-9	2
4129562-3	11-1	43	4130034-17	7-9	2
4129563-11	11-1	45	4130034-19	7-9	2
4130008-1	7-8.2	20	4130034-21	7-9	3
4130008-10	7-8.2	50	4130035-1	7-9	12
4130008-2	7-8.2	30	4130035-11	7-9	14
4130008-20	7-8.2	55	4130035-13	7-9	–
4130008-3	7-8.2	40	4130036-5	7-9	10
4130015-1	7-8	11	4130038-11	7-9	8
4130015-1	7-8.1	8	4130039-1	7-9	10
4130015-3	7-8	11	4130040-1	7-9	–
4130015-3	7-8.1	8	4130040-5	7-9	–
4130020-1	7-8	–	4130040-7	7-9	–
4130020-101	7-8	–	4130040-9	7-9	–
4130020-103	7-8	–	4130046-11	7-6.1	9
4130020-3	7-6	–	4130052-11	7-8	26
4130020-5	7-6	–	4130052-13	7-8	26
4130020-7	7-8	–	4130052-13	7-8.1	23
4130020-9	7-6	–	4130060-101	7-8.1	–
4130021-15	7-8	19	4130060-103	7-8	–
4130021-21	7-8	18	4130060-105	7-8.1	–
4130021-23	7-8	19	4130060-107	7-8	–
4130021-23	7-8.1	16	4130060-109	7-8.1	–

ENSTROM TH-28/480 SERIES ILLUSTRATED PARTS CATALOG

PART NUMBER INDEX

Part Number	Figure	Item	Part Number	Figure	Item
4130060-111	7-6	–	4130510-17	7-4	12
4130060-113	7-6	–	4130510-17	7-5	15
4130060-3	7-8	–	4130510-19	7-4	12
4130060-5	7-6.1	–	4130510-19	7-5	15
4130060-7	7-6.1	–	4130511-3	7-6	19
4130060-9	7-8.1	–	4130511-3	7-6.1	18
4130402-11	7-7	5	4130512-13	7-4	13
4130402-13	7-7	5	4130512-17	7-5	16
4130500-101	7-4	–	4130513-13	7-4	11
4130500-105	7-5	1	4130513-13	7-5	14
4130500-106	7-5	1A	4130514-15	7-6	1
4130500-111	7-5	–	4130514-17	7-6	1
4130500-5	7-4	–	4130516-17	7-4	17
4130500-7	7-4	1	4130516-17	7-5	20
4130500-901	7-4	–	4130517-13	7-4	14
4130500-909	7-5	–	4130517-13	7-5	17
4130500-911	7-5	–	4130518-1	7-3	4
4130500-990	7-5	–	4130520-11	7-3	30
4130500-991	7-5	–	4130520-13	7-4	25
4130501-11	7-6	7	4130520-13	7-5	28
4130501-11	7-6.1	6	4130521-11	7-3	32
4130503-1	7-3	–	4130521-11	7-4	27
4130503-11	7-3	12	4130521-11	7-5	30
4130504-13	7-4	21	4130521-13	7-3	32
4130504-13	7-5	24	4130521-13	7-4	27
4130505-4	7-11	23	4130521-13	7-5	30
4130505-4	7-8	34	4130521-15	7-3	32
4130505-8	7-10	2	4130521-15	7-4	27
4130505-8	7-10	4	4130521-15	7-5	30
4130506-15	7-4	16	4130521-17	7-3	32
4130506-15	7-5	19	4130521-17	7-4	27
4130507-13	7-3	5	4130521-17	7-5	30
4130507-19	7-3	6	4130521-19	7-3	32
4130508-13	7-4	10	4130521-19	7-4	27
4130508-13	7-5	13	4130521-19	7-5	30
4130509-1	7-4	2	4130521-21	7-3	32
4130510-15	7-5	15	4130521-21	7-4	27

ENSTROM TH-28/480 SERIES ILLUSTRATED PARTS CATALOG

PART NUMBER INDEX

Part Number	Figure	Item	Part Number	Figure	Item
4130521-21	7-5	30	4131001-103	7-2	–
4130521-23	7-3	32	4131001-105	7-1	1
4130521-23	7-4	27	4131001-111	7-2	–
4130521-23	7-5	30	4131001-113	7-2	–
4130521-25	7-3	32	4131001-115	7-2	–
4130521-25	7-4	27	4131001-129	7-1	3
4130521-25	7-5	30	4131001-129	7-1.1	10
4130521-9	7-3	32	4131001-131	7-1	1
4130521-9	7-4	27	4131002-15	7-1	22
4130521-9	7-5	30	4131003-21	7-2	1
4130524-13	7-4	15	4131003-23	7-2	1
4130524-13	7-5	18	4131004-15	7-1	26
4130525-1	7-3	1	4131005-11	7-2	2
4130525-11	7-3	1	4131005-13	7-1	24
4130529-13	7-3	24	4131005-13	7-1	28
4130529-15	7-3	20	4131005-15	7-1	24
4130529-17	7-3	26	4131005-15	7-1	28
4130529-19	7-3	25	4131005-17	7-1	24
4130529-21	7-3	23	4131005-17	7-1	28
4130529-25	7-3	21	4131005-25	7-1	19
4130530-11	7-6	18	4131005-27	7-1	20
4130530-11	7-6.1	17	4131005-29	7-1	20
4130531-1	7-3	7	4131005-31	7-1	24
4130533-1	7-8.1	31	4131005-31	7-1	28
4130533-15	7-8.1	32	4131005-35	7-1	4
4130537-1	7-5	2A	4131005-35	7-1.1	14
4130537-2	7-5	2	4131005-37	7-1	4
4130538-11	7-6	1	4131005-37	7-1.1	15
4130538-11	7-6.1	1	4131005-39	7-2	6
4130541-11	6-10	3	4131005-39	7-2	6
4130541-11	7-4	18	4131005-41	7-2	6
4130541-11	7-5	21	4131005-41	7-2	6
4130541-13	6-10	3	4131006-25	7-1	3
4130541-13	7-4	18	4131006-25	7-1.1	11
4130541-13	7-5	21	4131006-31	7-1	3
4130541-15	6-10	3	4131006-33	7-1	3
4130541-17	6-10	3	4131006-45	7-1	3

ENSTROM TH-28/480 SERIES ILLUSTRATED PARTS CATALOG

PART NUMBER INDEX

Part Number	Figure	Item	Part Number	Figure	Item
4131007-15	7-2	3	4140532-5	9-12	29
4131007-15	7-2	3	4140534-11	9-11	5
4131007-17	7-2	3	4140535-13	9-11	7
4131007-19	7-2	3	4142005-15	7-6	–
4131008-15	7-1	9	4142008-11	7-8	15
4131009-13	7-1	27	4142008-11	7-8.1	12
4131010-13	7-2	11	4142010-1	7-6.1	2
4131020-5	7-1.1	–	4142010-11	7-6	2
4131020-7	7-1.1	–	4142010-11	7-6	2
4131021-15	7-1.1	50	4142010-11	7-6	2
4131021-17	7-1.1	80	4143010-5	8-3	47
4131022-5	7-1.1	70	4143011-11	8-2	41
4131022-7	7-1.1	40	4143011-13	8-2	44
4131023-5	7-1.1	150	4143012-101	8-2	22
4131024-11	7-1.1	30	4143012-21	8-2	22
4131024-11	7-1.1	130	4143012-31	8-2	23
4132008-5	9-14	13	4143012-35	8-2	20
4132014-15	9-14	22	4143012-5	8-2	20
4132014-19	9-14	21	4143012-7	8-2	20
4132014-23	9-14	23	4143012-9	8-2	22
4133-0044	6-1	50	4143013-17	8-2	19
4136000-902	7-10	3	4150003-15	9-14	52
4136000-903	7-10	1	4150004-1	9-14	49
4136000-907	7-10	1	4150004-2	9-14	50
4136000-913	7-10	5	4150004-3	9-14	70
4136002-15	7-10	9	4150004-4	9-14	71
4140500-7	9-13	–	4150006-3	9-14	47
4140500-909	9-12	–	4150006-6	9-14	48
4140500-911	9-12	–	4150008-1	9-14	1
4140520-5	9-11	–	4150008-5	9-14	2
4140525-11	9-11	–	4150011-3	9-14	56
4140526-3	9-11	2	4150011-4	9-14	58
4140526-7	9-11	2	4150013-3	9-14	55
4140530-1	9-12	3	4150013-4	9-14	57
4140531-13	9-11	1	4150017-11	9-14	51
4140532-1	9-12	29	4150018-1	9-14	68
4140532-3	9-12	29	4150018-101	9-14	68

ENSTROM TH-28/480 SERIES ILLUSTRATED PARTS CATALOG

PART NUMBER INDEX

Part Number	Figure	Item	Part Number	Figure	Item
4150018-6	9-14	75	4166010-7	9-1	–
4150018-7	9-14	72	4166010-7	9-1	–
4150018-8	9-14	69	4166011-1	9-2	11
4150018-9	9-14	74	4166014-1	9-1	10
416-13	6-9	–	4166014-3	9-1	10
4164	10-16	4	4166014-3	9-1	10
4164	10-17	13	4166014-5	9-1	10
4164002-1	6-6	14	4166015-11	9-1	2
4164004-11	6-6	–	4166015-11	9-1	2
4164004-11	9-6	34	4166015-13	9-1	5
4164004-11	9-7.1	27	4166015-15	9-1	5
4164004-13	6-6	8	4166015-17	9-1	2
4164006-11	6-7.2	20	4166015-17	9-1	2
4164006-11	9-4	29	4166015-19	9-1	6
4164012-5	6-6	24	4166015-21	9-1	4
4164014-103	6-8	2	4166015-21	9-1	4
4164014-17	6-8	13	4166015-21	9-1	4
4164014-29	6-8	11	4166015-23	9-1	5
4164014-43	9-5	27	4166015-23	9-1	5
4164015-1	6-8	–	4166022-905	9-1	26
4164015-901	6-8	–	4166024-101	9-2	45
4164015-902	6-8	1	4166024-101	9-2	55
4164017-3	9-4	16	4166024-103	9-2	40
4166008-101	9-2	12	4166024-103	9-2	50
4166008-19	9-2	29	4166024-11	9-2	–
4166008-21	9-2	9	4166024-13	9-2	–
4166008-23	9-2	12	4166024-19	9-2	41
4166008-25	9-2	25	4166024-19	9-2	51
4166008-27	9-2	28	4166024-23	9-2	–
4166008-29	9-2	24	4166024-23	9-2	–
4166009-101	9-1	1	4166024-37	9-2	–
4166009-3	9-1	1	4166024-37	9-2	–
4166009-5	9-1	1	4166024-5	9-2	49
4166009-7	9-1	1	4166024-7	9-2	39
4166009-9	9-1	1	4166031-101	9-2	34
4166010-1	9-1	–	4166031-101	9-3	–
4166010-3	9-1	–	4166031-102	9-2	35

ENSTROM TH-28/480 SERIES ILLUSTRATED PARTS CATALOG

PART NUMBER INDEX

Part Number	Figure	Item	Part Number	Figure	Item
4166031-102	9-3	–	4166053-13	9-3	–
4166031-106	9-3	–	4166053-15	9-1	11
4166031-107	9-3	–	4166053-15	9-1	11
4166031-108	9-3	–	4166053-15	9-1	11
4166031-11	9-3	38	4166053-15	9-3	–
4166032-1	9-3	–	4167001	9-5	–
4166032-2	9-3	–	4167211-15	9-4	14
4166032-3	9-3	–	4167213-19	9-4	2
4166032-5	9-3	–	4167213-21	9-4	4
4166034-3	9-3	18	4167225-11	9-4	1
4166036-47	9-14	–	4167226-3	9-7	–
4166037-1	9-14	8	4167227-7	9-4	–
4166038-11	9-14	–	4167229-11	9-4	11
4166050-1	9-2	32	4167230-1	9-4	10
4166050-101	9-2	17	4167231-13	9-4	28
4166050-103	9-2	16	4167232-13	9-4	18
4166050-105	9-2	26	4167233-13	9-4	19
4166050-107	9-2	18	4167241-11	9-6	9
4166050-109	9-2	19	4167241-11	9-7	9
4166050-201	9-5	1	4167241-11	9-7.1	–
4166050-205	9-5	22	4167241-11	9-7.2	–
4166050-207	9-14	3	4167242-11	9-4	8
4166050-209	9-5	17	4167276-1	9-9	13
4166050-211	9-2	33	4167276-27	9-9	12
4166050-5	9-2	15	4167286-11	9-9	14
4166050-7	9-2	14	4167287-11	9-9	5
4166050-9	9-2	27	4167290-1	9-9	18
4166050-901	9-5	–	4167291-13	9-9	4
4166050-903	9-2	16	4167292-11	9-9	3
4166050-907	9-2	14	4167292-13	9-9	2
4166051-15	9-1	14	4167310-3	9-8	–
4166051-20	9-1	14	4167311-11	9-5	11
4166051-25	9-1	14	4167313-1	9-5	14
4166051-30	9-1	14	4167313-3	9-5	14
4166052-11	9-2	62	4167314-1	9-8	5
4166052-13	9-5	29	4167315-3	9-8	33
4166053-11	9-3	–	4167316-3	9-12	18

ENSTROM TH-28/480 SERIES ILLUSTRATED PARTS CATALOG

PART NUMBER INDEX

Part Number	Figure	Item	Part Number	Figure	Item
4167316-5	9-12	18	4167323-17	9-7.2	5
4167317-13	9-12	22	4167323-19	9-6	14
4167318-11	9-12	25	4167323-19	9-7	14
4167319-1	9-8	8	4167323-19	9-7.1	6
4167320-11	9-8	13	4167323-19	9-7.2	6
4167320-13	9-8	3	4167324-15	9-4	26
4167321-101	9-7.2	25	4167324-17	9-6	25
4167321-103	9-7.1	25	4167324-21	9-6	22
4167321-105	9-7.2	25	4167324-25	9-6	21
4167321-5	9-6	4	4167324-27	9-7.1	9
4167321-7	9-7	4	4167324-27	9-7.2	9
4167321-9	9-7	4	4167324-29	9-7.1	17
4167322-17	9-6	5	4167324-29	9-7.2	17
4167322-17	9-7	5	4167325-15	9-6	17
4167322-19	9-6	3	4167325-15	9-7	17
4167322-19	9-7	3	4167325-17	9-6	15
4167322-21	9-6	1	4167325-17	9-7	15
4167322-21	9-7	1	4167325-19	9-6	17
4167322-23	9-6	2	4167325-21	9-7.1	11
4167322-23	9-7	2	4167325-21	9-7.2	11
4167322-5	9-7.1	1	4167326-7	9-7	–
4167322-5	9-7.2	1	4167326-9	9-6	–
4167323-11	9-6	11	4167327-11	9-6	26
4167323-11	9-7	11	4167327-13	9-6	24
4167323-11	9-7.1	4	4167327-15	9-7	22
4167323-11	9-7.2	4	4167327-17	9-7	20
4167323-13	9-6	12	4167327-19	9-7.1	21
4167323-13	9-7	12	4167327-19	9-7.1	36
4167323-13	9-7.1	3	4167327-19	9-7.2	21
4167323-13	9-7.2	3	4167327-19	9-7.2	29
4167323-15	9-6	7	4167328-1	9-6	31
4167323-15	9-7	7	4167328-1	9-7	25
4167323-15	9-7.1	7	4167328-11	9-7	21
4167323-15	9-7.2	7	4167328-3	9-7.1	22
4167323-17	9-6	10	4167328-3	9-7.2	22
4167323-17	9-7	10	4167333-11	9-12	–
4167323-17	9-7.1	5	4167338-11	9-7.1	33

ENSTROM TH-28/480 SERIES ILLUSTRATED PARTS CATALOG

PART NUMBER INDEX

Part Number	Figure	Item	Part Number	Figure	Item
4167338-11	9-7.2	26	4172000-7	3-11	2
4167340-1	9-7.2	–	4172000-9	3-11	–
4167340-3	9-7.1	–	4172000-9	3-9	1
4167340-5	9-7.2	–	4172001-1	3-10	1
4167360-17	6-6	22	4172001-3	3-10	2
4167370-1	6-7.1	–	4172001-5	3-10	1
4167370-3	6-7.1	9	4174000-7	3-1	50
4167370-7	6-7.1	–	4174000-9	3-1	40
4167371-1	6-7.2	7	4174001-101	4-2	2
4167371-17	6-7.2	2	4174001-102	4-2	2
4167371-19	6-7.1	4	4174001-103	4-2	4
4167371-19	6-7.2	13	4174001-104	4-2	4
4167371-21	6-7.2	9	4174001-105	4-2	3
4167371-25	6-7.2	12	4174001-107	4-2	3
4167371-3	6-7.2	3	4174002-7	4-1	1
4167371-31	6-7.2	11	4174002-9	4-1	19
4167371-31	6-7.2	17	4174003-1	4-2	1
4167371-33	6-7	12	4174003-3	4-2	1
4167371-37	6-7.2	2	4174004-1	4-2	–
4167372-1	6-7	3	4174004-3	4-2	–
4167372-1	6-7	8	4174007-5	4-2	6
4167373-1	6-7.1	13	4174007-7	4-2	7
4167373-1	6-7.2	22	4174007-8	4-2	7
4167374-11	6-7.1	1	4174008-11	4-2	–
4167511-5	9-1	38	4174008-11	4-2	–
4167521-19	9-1	40	4174008-15	4-2	–
4167521-21	9-1	37	4174008-17	4-2	–
4168000-11	9-14	42	4174009-13	4-2	5
4168001-1	9-14	–	4174012-11	4-2	15
4168001-5	9-14	–	4174012-13	4-2	16
4168001-7	9-14	–	4174013-903	4-1	6
4168001-9	9-14	–	4174013-903	4-1	25
4168002-11	9-14	42	4174014-11	4-1	2
4168002-13	9-14	42A	4174014-11	4-1	20
4172000-101	3-10	–	4174015-11	4-4	26
4172000-101	3-9	1	4174016-101	4-4	17
4172000-5	3-11	1	4174016-7	4-4	17

ENSTROM TH-28/480 SERIES ILLUSTRATED PARTS CATALOG

PART NUMBER INDEX

Part Number	Figure	Item	Part Number	Figure	Item
4174018-1	3-1	60	4182127-5	3-1	260
4174019-1	4-5	5	4182142-1	11-5	80
4174019-101	4-5	9	4182142-1	6-5	–
4174019-102	4-5	4	4182310-13	10-33	1
4174019-104	4-5	10	4182310-15	10-33	2
4174019-2	4-5	6	4182310-17	10-33	–
4174019-3	4-5	7	4182310-19	10-33	–
4174019-4	4-5	8	4182310-21	10-33	1
4174019-7	4-5	1	4192083-1	10-18	21
4174019-8	4-5	2	4192083-15	10-18	22
4174019-9	4-5	3	4192083-15	10-19	5
4174020-11	4-5	–	4192083-19	10-21	1
4174020-11	4-5	–	4192083-9	10-18	20
4174020-13	4-5	–	4192102-4	10-16	20
4174020-13	4-5	–	4192102-903	10-16	20
4174020-13	4-5	–	4192507-103	10-37	70
4174020-13	4-5	–	4192508-939	7-9	10
4174020-15	4-4	31	4192509-3	5-12	190
4174021-11	4-5	16	4192509-901	7-8	30
4174021-12	4-5	17	4192509-901	7-8.1	27
4174022-11	4-5	11	4192514-37	10-24.2	1
4174022-12	4-5	12	4192514-67	10-24.1	15
4174024-11	4-5	21	4192514-69	10-24.1	12
4174027-11	4-4	27	4192514-71	6-7.3	40
4174032-11	4-6	1	4192514-998	10-26	–
4174032-12	4-6	1	4192570-1	10-36	9
4174033-1	4-6	8	4193003-1	10-25	1
4174033-17	4-6	11	4193003-3	10-25	2
4174033-2	4-6	8	4193003-5	10-25	1
4174034-11	4-5	25	4193003-5	10-26	1
4174501-4	4-3	1	4193003-7	10-25	2
4174501-4	4-4	–	4193003-7	10-26	2
4174501-5	4-3	1	4196518-19	11-1	48
4174501-5	4-4	–	4196529-3	3-21	220
4174501-901	4-4	16	4196536-1	10-33	12
4174501-904	4-4	–	4196536-25	10-33	18
4174501-905	4-4	–	4196536-5	10-33	12

ENSTROM TH-28/480 SERIES ILLUSTRATED PARTS CATALOG

PART NUMBER INDEX

Part Number	Figure	Item	Part Number	Figure	Item
4196540-11	10-14	8	4196580-1	10-14	2
4196540-11	10-14	12	4196580-1	10-15	5
4196550-1	10-14	4	4196595-11	10-19	4
4196550-17	10-14	–	4196597-1	10-12	9
4196551-1	10-12	17	4196597-1	10-13	13
4196551-1	10-13	24	4196600-11	10-4	23
4196551-3	10-12	17	4196652-101	10-18	22
4196551-3	10-13	24	4196652-101	10-19	5
4196555-5	10-16	11	4196652-3	10-18	20
4196555-7	10-16	11	4196652-7	10-21	1
4196555-9	10-16	11	4199003-101	10-33	18
4196556-13	10-23	4	4199003-103	10-33	–
4196557-1	3-21	–	4199003-11	10-33	–
4196558-5	10-18	29	4199005-901	10-29	–
4196562-11	10-1	14	4199006-5	10-36	7
4196562-11	10-2	14	4199008-7	9-1	24
4196562-11	10-3	14	4199008-8	9-1	23
4196562-11	10-4	14	4199011-3	9-4	24
4196569-1	10-14	3	4199011-3	9-7	–
4196569-1	10-15	6	4199017-1	10-24.1	–
4196578-1	10-12	1	4199019-11	10-27	9
4196578-3	10-13	1	4199019-13	10-27	11
4196578-5	10-13	1	4199019-15	10-27	1
4196579-1	10-13	17	4199019-17	10-27	2
4196579-101	10-12	13	4199019-19	10-27	3
4196579-19	10-12	–	4199019-21	10-27	12
4196579-19	10-13	–	4199041-1	10-33	3
4196579-21	10-13	2	4199041-13	10-33	5
4196579-23	10-13	6	4199042-11	10-17	12
4196579-25	10-13	7	4199042-13	10-17	12
4196579-27	10-13	10	4199042-27	10-17	26
4196579-29	10-13	9	4199045-103	9-1	23
4196579-31	10-13	8	4199045-105	9-1	25
4196579-31	10-14	–	4199045-109	9-1	23
4196579-31	10-15	–	4199045-111	9-1	25
4196579-7	10-12	13	4199045-131	9-1	23
4196579-9	10-13	17	4199045-133	9-1	25

ENSTROM TH-28/480 SERIES ILLUSTRATED PARTS CATALOG

PART NUMBER INDEX

Part Number	Figure	Item	Part Number	Figure	Item
4199046-1	9-4	25	4200009-13	3-8	6
4199046-1	9-7	–	4200011-7	3-8	19
4199046-3	9-4	23	4200017-1	10-30	8
4199046-3	9-6	–	4200017-1	3-8	30
4199046-3-R	9-6	–	4200017-2	10-30	8
4199046-R	9-4	23	4200017-2	3-8	31
4199049-1	3-21	290	4212101-101	10-29	–
4199052-11	10-16	7	4212101-5	10-29	–
4199057-1	6-2	1	4212101-7	10-29	–
4199057-13	6-2	4	4212101-9	10-29	–
4199057-15	6-2	4	4212102-11	10-29	50
4199057-3	6-2	1	4212103-19	10-28	12
4199059-1	10-16	20	4212103-21	10-28	8
4199059-3	10-16	20	4212103-21	10-29	160
4199067-1	3-21	150	4212103-23	10-29	200
4199067-101	3-21	190	4212103-25	10-29	20
4199067-3	3-21	160	4212103-27	10-29	230
4199067-5	3-21	170	4212103-29	10-29	30
4199067-7	3-21	180	4212103-31	10-29	20
4199070-1	10-24.2	–	4212103-33	10-29	30
4199071	10-23.1	–	4212103-35	10-29	30
4199072-11	9-4	33	4212103-5	10-28	1
4199072-13	10-23	12	4212103-5	10-29	–
4199072-13	9-4	34	4212103-7	10-29	–
4199080-901	9-4	25	4212104-11	10-28	15
4199080-901	9-7.2	–	4212104-13	10-29	80
4199080-903	9-4	23	4220035-1	5-12	–
4199080-903	9-7.1	–	4220037	6-3	–
4200000-()	3-8	43	4220037-1	6-3	63
4200000-10	3-8	–	4220037-15	6-3	–
4200000-101	3-8	–	4220037-2	6-3	–
4200000-103	3-8	10	4220037-3	6-3	58
4200000-104	3-8	11	4220037-5	6-3	49
4200000-9	3-8	–	4220039-1	5-12	10
4200002-11	3-8	5	4220039-3	5-12	20
4200008-11	3-8	20	4220043-3	3-5	–
4200009-11	3-8	7	4220044-13	3-5	30

ENSTROM TH-28/480 SERIES ILLUSTRATED PARTS CATALOG

PART NUMBER INDEX

Part Number	Figure	Item	Part Number	Figure	Item
4220044-21	3-5	50	4508-1	10-33	13
4220044-22	3-5	60	4508-1	6-11	27
4220125-19	3-19	–	4508-1	6-12	29
4220132-1	4-2	6	4508-1	6-3	–
4220132-1	4-2	7	4508-1	6-3	–
4220143-1	10-37	50	4508-1	6-3	–
4220150-3	3-2	1	4516	3-2	–
4220150-4	3-2	2	4516-75	11-4	2
4220150-5	3-2	1	4516-75	3-2	–
4220150-6	3-2	2	4516-75	3-3	21
4220152-11	3-6.2	20	4596	10-28	5
4220152-13	3-6.2	30	4604-12-12-0	6-1	46
4220152-14	3-6.2	30	464	11-6	140
4220153-1	3-6.2	–	4-8 F5OX-S	7-9	11
4220171-1	11-6	10	4910-50	3-4	250
4220521-1	10-38	10	4910-50	6-3	–
4220521-3	10-39	10	4941	3-3	23
4230001-1	7-1	–	4941	6-2	7
4230005-11	3-19	2	4F5BX-SS	6-1	7
4230005-13	3-19	13	4F650X-S	5-12	100
4230012-1	10-4	–	4R6BX-SS	10-20	10
4230019-1	10-19	–	5/16 Harper	6-13	7
428-3VG	App A	–	5/16 Harper	9-13	19
428-3-VG	9-14	38	500130	5-6	5
428-3-VG	App A	–	500150	5-6	10
4-3 F5OX-SS	6-1	9	5008-75	9-6	23
43-13-1-24	3-13	–	5-01-090701 Rev A	3-18	29
43-13-1-24	3-13	–	5-01-095701 Rev A	3-18	28
43-13-1-24	3-13	–	502	9-1	27
43-13-1-24	3-13	–	5045	8-3	20
436-19	6-9	2	506	10-28	–
439SS-4-2-6	5-10	7	506	10-29	–
439SS-4-8-2-6	5-11	70	506	10-33	–
439-SS4-8-2-6	10-38	20	5100-50	5-8	48
444-4-2-6	5-11	20	5100-68	5-8	41
444-4-2-6	5-5	35	5100-68	5-8	82
444-4-2-6	5-6	41	5103-62	3-17	25

ENSTROM TH-28/480 SERIES ILLUSTRATED PARTS CATALOG

PART NUMBER INDEX

Part Number	Figure	Item	Part Number	Figure	Item
51086	8-5	8	60617-1	10-1	—
5133-18-S-PP	3-6	410	60617-1	10-1	—
5133-18-S-PP	3-6	840	60617-1	10-1	—
5133-25-S-PP	3-6	150	60617-1	10-2	—
5133-25-S-PP	3-6	350	60617-1	10-2	—
520-004	10-13	29	60617-1	10-2	—
520-004	10-14	—	60617-1	10-2	—
520-004	10-15	2	60617-1	10-2	—
520-006	10-34	4	60617-1	10-24.1	13
52305-A06-6	9-1	28	60617-1	10-3	—
524-080	6-1	51	60617-1	10-3	—
5451	4-5	23	60617-1	10-37	—
5453	3-12	—	60617-1	10-4	—
5453	9-2	—	60617-1	10-4	—
5453	9-2	—	60618-1	10-1	—
5480	4-5	26	60618-1	10-1	—
58390	10-23	2	60618-1	10-1	—
5934PD-3-A.253	10-1	3	60618-1	10-1	—
5934PD-3-A.253	10-2	3	60618-1	10-18	—
5934PD-3-A.253	10-3	3	60618-1	10-2	—
5934PD-3-A.253	10-4	3	60618-1	10-2	—
6 X 1/2	4-5	18	60618-1	10-2	—
601-6	3-16	3	60618-1	10-2	—
601985-2	10-18	—	60618-1	10-2	—
601985-2	10-18	—	60618-1	10-24.2	12
601985-2	10-19	—	60618-1	10-29	—
603817-4	10-18	—	60618-1	10-3	—
603817-4	10-18	—	60618-1	10-3	—
603817-4	10-19	—	60618-1	10-37	—
603864	6-1	53	60618-1	10-4	—
604111-1	10-18	—	60618-1	10-4	—
604111-1	10-18	—	60618-1	5-7	—
604111-1	10-19	—	60618-1	6-1	—
60434	5-6	3	60620-1	7-9	—
60607-1	6-7.3	80	60652	5-6	8
60617-0	10-24.1	13	608036-1	6-1	112
60617-1	10-1	—	6-1437622-0	11-6	210

ENSTROM TH-28/480 SERIES ILLUSTRATED PARTS CATALOG

PART NUMBER INDEX

Part Number	Figure	Item	Part Number	Figure	Item
6-1616945-7	10-16	1	726607	10-23	1
6-1616945-7	10-17	1	726621	7-8	30
6-1616945-7	10-18	9	726621	7-8.1	27
6-4 F5OX-S	7-9	12	7270-1-35	10-9	13
6502-12	6-9	23	7270-1-35	10-9	13
65143	5-6	6	7270-1-5	10-1	28
6-6FBTX-SS	6-4	9	7270-1-5	10-2	25
68-2290005-30	10-31	11	7270-1-5	10-2	27
68-2290005-30	App A	–	7270-1-5	10-7	3
68-2290005-34	10-32	7	7270-1-5	10-7	5
6839	10-1	–	7270-1-5	10-8	3
6839	10-2	–	7270-1-5	10-8	5
6839	10-3	–	7270-1-5	10-9	3
6839	10-4	–	7270-1-5	10-9	3
68-3950902A30	10-32	4	7270-1-5	10-9	5
68-3950903A30	10-32	2	7270-1-5	10-9	5
68-4230020-40	10-31	6	7270-1-7 1/2	10-1	27
68-4230020-40	App A	–	7270-1-7 1/2	10-2	26
68-4230020-50	10-31	6	7270-1-7 1/2	10-33	–
68-4230020-50	App A	–	7270-1-7 1/2	10-7	4
68-4250066-30	10-31	10	7270-1-7 1/2	10-8	4
68-4250066-30	App A	–	7270-1-7 1/2	10-9	4
6EBTX-SS	7-9	18	7270-1-7 1/2	10-9	4
6R X 3/8	App A	–	7277-5-1	10-9	6
6RX1/2	App A	–	7277-5-1 1/2	10-7	8
6RX3/8	9-2	64	7277-5-1 1/2	10-8	8
6RX3/8	App A	–	7277-5-1 1/2	10-9	
6X1/2	App A	–	7277-5-1 1/2	10-9	6
6X3/8	4-2	–	7277-5-1 1/2	10-9	9
6X3/8	11-3	3	7277-5-1/2	10-9	14
6X3/8	App A	–	7277-5-1/2	10-9	14
70-0160-1056-6	3-3	26	7277-5-1/2	11-6	–
7101SYZQE	10-4	22A	7277-5-1/2	11-6	–
71478S	6-7.2	16	7277-5-1/2	11-6	–
7201SYZQE	10-1	22	7277-5-10	10-7	9
7201SYZQE	10-2	22	7277-5-10	10-8	9
7203K2ZQE	10-36	3	7277-5-10	10-9	10

ENSTROM TH-28/480 SERIES ILLUSTRATED PARTS CATALOG

PART NUMBER INDEX

Part Number	Figure	Item	Part Number	Figure	Item
7277-5-10	10-9	16	800-28V-BAT	10-4	4
7277-5-2	10-7	6	803-28V	10-4	4
7277-5-2	10-8	6	801-4	5-5	–
7277-5-2	10-9	7	801-4	5-5	–
7277-5-2	10-9	7	801-8	5-5	–
7277-5-3	10-37	30	801-8	5-6	18
7277-5-3	10-7	7	8116-B	7-9	–
7277-5-3	10-8	7	82043-22420	8-5	7
7277-5-3	10-9	8	82-12-120-16	3-19	18
7277-5-3	10-9	8	8-218-N300-9	4-4	4
7277-5-5	10-36	4	82-19-140-16	3-18	48
7277-5-5	10-9	9	82-19-160-16	3-13	–
732BL	11-5	140	82-19-160-16	3-13	–
732-RTV	10-24.2	5	82-19-160-16	3-13	–
732-RTV	10-33	13	82-19-160-16	3-13	2
732-RTV	3-3	–	82-19-160-16	3-2	–
732-RTV	6-3	38	82-19-160-16	3-2	–
7401SYZQE	10-3	22	82-19-160-16	3-2	–
7401SYZQE	10-4	22	82-32-101-20	3-13	–
748-RTV	10-24.2	5	82-32-101-20	3-13	–
748-RTV	10-36	18	82-32-101-20	3-13	–
748-RTV	10-39	20	82-32-101-20	3-13	4
7592	11-6	30	82-32-101-20	3-18	50
7641-20	10-14	1	82-32-101-20	3-19	19
76638	5-6	9	82-32-101-20	3-2	–
76640	5-6	11	82-32-101-20	3-2	–
76642	5-6	4	82-32-101-20	3-2	–
767	6-4	–	82-35-302-15	3-19	7
77345-09.0HG-01	7-9	15	82-35-306-10	3-13	–
786-4	5-11	190	82-35-306-10	3-13	–
786-4-CU	5-10	2	82-35-306-10	3-13	16
786-4-CU	5-5	43	82-36-302-15	3-18	–
8000B.439	10-1	2	82-46-101-39	3-13	–
8000B.439	10-2	2	82-46-101-39	3-13	–
800-28V-BAT	10-1	4	82-46-101-39	3-13	–
800-28V-BAT	10-2	4	82-46-101-39	3-13	3
800-28V-BAT	10-3	4	82-46-101-39	3-18	49

ENSTROM TH-28/480 SERIES ILLUSTRATED PARTS CATALOG

PART NUMBER INDEX

Part Number	Figure	Item	Part Number	Figure	Item
82-46-101-39	3-2	–	8X1/2	3-2	–
82-46-101-39	3-2	–	8X1/2	3-2	17
82-46-101-39	3-2	–	8X1/2	4-5	20
8-32X1/4in	6-7.2	1	8X1/2	6-1.1	30
8473 H5L16	App A	–	8X1/2	6-1.1	110
8473H5L16	7-8.1	–	8X1/2	6-1.1	180
8473RUPH5-L16	7-8	–	8X1/2	6-1.1	290
8473RUPH5-L16	App A	–	8X1/2	6-1.1	330
848-FSO-04-03	6-1	9	8X1/2	6-1.1	340
849-FSO-04X04	6-1	25	8X1/2	6-1.1	400
85-12-140-16	3-2	–	8X1/2	App A	–
85-12-140-16	3-2	–	8X3/8	6-1.1	370
85-12-140-16	3-2	–	90120075	6-1	61
85-12-140-16	3-2	–	90251A190	11-2	10
85-12-140-20	3-2	–	90251A190	11-2	26
85-12-140-20	3-2	–	90312A11	9-14	60
85-12-140-20	3-2	–	90-42130-009	10-1	–
85-12-140-20	3-2	–	90-42130-009	10-2	–
85-34-101-20	3-2	–	90-42130-009	10-3	–
85-34-101-20	3-2	–	90-42130-009	10-3	–
85-34-101-20	3-2	–	90-42130-009	10-4	–
85-34-101-20	3-2	–	90-42130-010	10-1	–
85-35-295-15	3-2	–	90-42130-010	10-2	–
85-35-295-15	3-2	–	90-42130-010	10-3	–
85-46-101-39	3-2	–	90-42130-010	10-3	–
85-46-101-39	3-2	–	90-42130-010	10-4	–
85-46-101-39	3-2	–	90-42130-011	10-1	–
85-46-101-39	3-2	–	90-42130-011	10-2	–
8618M25	6-8	14	90-42130-011	10-3	–
8-8MTX-SS	11-1	4	90-42130-011	10-3	–
8871T34	3-18	3	90-42130-011	10-4	–
8871T34	3-18	12	90-42130-012	10-1	–
8RX1/2	App A	–	90-42130-012	10-2	–
8x1/2	10-17	21	90-42130-012	10-3	–
8X1/2	3-2	–	90-42130-012	10-3	–
8X1/2	3-2	–	90-42130-012	10-4	–
8X1/2	3-2	–	90-42130-013	10-1	–

ENSTROM TH-28/480 SERIES ILLUSTRATED PARTS CATALOG

PART NUMBER INDEX

Part Number	Figure	Item	Part Number	Figure	Item
90-42130-013	10-2	–	90-42130-022	10-3	–
90-42130-013	10-3	–	90-42130-022	10-4	–
90-42130-013	10-3	–	90-42130-023	10-1	–
90-42130-013	10-4	–	90-42130-023	10-2	–
90-42130-015	10-1	–	90-42130-023	10-3	–
90-42130-015	10-2	–	90-42130-023	10-3	–
90-42130-015	10-3	–	90-42130-023	10-4	–
90-42130-015	10-3	–	90-42130-024	10-1	–
90-42130-015	10-4	–	90-42130-024	10-2	–
90-42130-016	10-1	–	90-42130-024	10-3	–
90-42130-016	10-2	–	90-42130-024	10-3	–
90-42130-016	10-3	–	90-42130-024	10-4	–
90-42130-016	10-3	–	90-42130-026	10-1	–
90-42130-016	10-4	–	90-42130-026	10-2	–
90-42130-017	10-1	–	90-42130-026	10-3	–
90-42130-017	10-2	–	90-42130-026	10-3	–
90-42130-017	10-3	–	90-42130-026	10-4	–
90-42130-017	10-3	–	90-42130-028	10-3	–
90-42130-017	10-4	–	90-42130-028	10-4	–
90-42130-018	10-1	–	9080221	3-1	–
90-42130-018	10-2	–	9080331	3-1	–
90-42130-018	10-3	–	9080443	3-1	–
90-42130-018	10-3	–	9080494	10-13	28
90-42130-018	10-4	–	9080494	10-14	–
90-42130-019	10-1	–	9080494	10-15	1
90-42130-019	10-2	–	90D030N-2	10-4	35
90-42130-019	10-3	–	90D030N-MOD-2	9-7.1	20
90-42130-019	10-3	–	90D030N-MOD-2	9-7.2	20
90-42130-019	10-4	–	9253	7-9	15
90-42130-021	10-1	–	92X9537	7-6.1	10
90-42130-021	10-2	–	95-41-11-H6-55785	10-1	19
90-42130-021	10-3	–	95-41-11-H6-55785	10-2	19
90-42130-021	10-3	–	95-41-11-H6-55785	10-3	19
90-42130-021	10-4	–	95-41-11-H6-55785	10-4	19
90-42130-022	10-1	–	959-5	8-5	13
90-42130-022	10-2	–	97CSX-2 24VDC	App A	–
90-42130-022	10-3	–	A01784-6Z-1D	3-21	–

ENSTROM TH-28/480 SERIES ILLUSTRATED PARTS CATALOG

PART NUMBER INDEX

Part Number	Figure	Item	Part Number	Figure	Item
A01787-8Z-1D	3-2	–	A315HI-B-28V	10-1	32
A01787-8Z-1D	6-1.1	100	A413AHDACF-14/28	10-30	1
A01787-8Z-1D	6-1.1	310	A4274	App A	–
A01787-8Z-1D	6-11	4	A427-4	10-31	7
A01787-8Z-1D	6-12	2	A427-4	App A	–
A01787-8Z-1D	App A	–	A507	10-31	3
A01789-8Z-1D	3-2	–	A507	App A	–
A01789-8Z-1D	4-4	32	A50828	App A	–
A01789-8Z-1D	4-5	–	A508-28	10-31	4
A01789-8Z-1D	4-5	–	A508-28	App A	–
A01789-8Z-1D	App A	–	A600PG28	App A	–
A06194-8Z-1D	6-11	13	A600-PG-28	10-30	4
A06194-8Z-1D	App A	–	A600-PG-28	10-31	–
A06195-6Z-1D	6-1.1	–	A600-PG-28	3-8	26
A06195-8Z-1D	3-2	–	A600-PG-28	App A	–
A06195-8Z-1D	3-2	–	A600PR28	App A	–
A06195-8Z-1D	3-2	–	A600-PR-28	10-30	4
A06195-8Z-1D	3-2	–	A600-PR-28	10-31	–
A06195-8Z-1D	3-2	–	A600-PR-28	3-8	25
A06195-8Z-1D	3-2	–	A600-PR-28	App A	–
A06195-8Z-1D	3-2	–	A605	10-31	1
A06195-8Z-1D	3-2	–	A605	App A	–
A06195-8Z-1D	3-2	18	A606	10-31	12
A06195-8Z-1D	4-5	–	A606	App A	–
A06195-8Z-1D	4-5	–	A610	10-31	8
A06195-8Z-1D	6-1.1	–	A610	App A	–
A06195-8Z-1D	6-1.1	–	A612	10-31	11
A06195-8Z-1D	6-1.1	–	A612	App A	–
A06195-8Z-1D	6-1.1	–	A615	10-31	10
A06195-8Z-1D	6-1.1	–	A615	App A	–
A06195-8Z-1D	6-11	12	A616	10-31	9
A06195-8Z-1D	6-12	14	A616	App A	–
A06195-8Z-1D	App A	–	A6194-8Z-1	App A	–
A10K130	11-6	110	A6195-8Z-1	App A	–
A1787-8Z1	App A	–	A-700	6-4	29
A1787-8Z-1	App A	–	A-700	App A	–
A1789-8Z-1	App A	–	A-700RD1180	App A	–

ENSTROM TH-28/480 SERIES ILLUSTRATED PARTS CATALOG

PART NUMBER INDEX

Part Number	Figure	Item	Part Number	Figure	Item
A700RD11800	5-10	1	ACC62-A-C20	10-39	40
A700RD11800	5-11	10	ACF-50	8-3	–
A700RD11800	App A	–	AD-B283101	6-9	34
A8944-632-493	10-1	–	AD4()BSLF	3-3	20
A8944-632-493	10-1	–	AJ4-30	3-2	–
A8944-632-493	10-1	–	AJ4-30	3-2	–
A8944-632-493	10-1	–	AJ4-30	3-2	–
A8944-632-493	10-2	–	AJ4-35	3-2	–
A8944-632-493	10-2	–	AJ4-35	3-2	–
A8944-632-493	10-2	–	AJ4-35	3-2	–
A8944-632-493	10-2	–	AJ4-35	3-2	–
A8944-632-493	10-2	–	AJ4-35	3-2	–
A8944-632-493	10-2	–	AJ4-35	3-2	–
A8944-632-493	10-2	–	AJ4-35	3-2	–
A8944-632-493	10-3	–	AJ4-35	3-2	–
A8944-632-493	10-3	–	AJ4-40	3-2	–
A8944-632-493	10-3	–	AJ4-40	3-2	–
A8944-632-493	10-4	–	AJC19-A-C	10-36	15
A-8970B1-327	10-1	31	AJW4-30	6-11	21
A-8970B1-327	10-2	31	AJW4-30	6-12	23
A-8970B1-327	10-5	5	AN100C4	9-14	37
A-8970B1-327	10-6	5	AN104607	6-6	26
A8P150	3-3	22	AN104608	6-6	27
AA521-4	9-8	6	AN174-21	9-13	5
AA521-4	App A	–	AN176-15A	8-3	42
AA-521-4	App A	–	AN176-15A	8-3	55
AA521-8	9-5	15	AN176-17A	7-6	20
AA-521-9	9-8	19	AN176-17A	7-6.1	19
AA86146	7-8	38	AN176-17A	8-3	43
AA86146	7-8.1	34	AN178-21	8-6	5
ABC6114	9-4	27	AN2552-3A	10-16	14
ABM1M-A-C	10-39	90	AN3-10A	10-12	18
ABMM-AT-C	10-24	10	AN3-10A	10-13	25
ABMM-AT-C	10-24.2	4	AN3-10A	3-18	22
ABMM-AT-C	10-36	14	AN3-10A	5-9	2
ABMS-A	5-5	31	AN3-10A	7-9	4
ABMS-A	5-6	37	AN3115-1	10-33	22
AC-B283F-107	6-9	35	AN3-11A	10-22	13
ACC38-A-C20	10-39	30	AN3-11A	4-4	18

ENSTROM TH-28/480 SERIES ILLUSTRATED PARTS CATALOG

PART NUMBER INDEX

Part Number	Figure	Item	Part Number	Figure	Item
AN3-11A	5-12	30	AN316-4R	9-2	21
AN3-11A	5-8	65	AN316-4R	9-5	3
AN3-11A	5-9	2	AN316-4R	9-5	19
AN3-11A	6-1.1	410	AN316-4R	9-8	15
AN3-11A	7-9	4	AN316-5L	9-13	13
AN3-11A	9-4	30	AN316-5L	9-15	25
AN3-12	9-14	25	AN316-5L	9-5	–
AN3-12A	8-3	29	AN316-5R	11-2	6
AN315-3L	6-6	15	AN316-5R	11-2	22
AN315-3L	6-7	4	AN316-5R	9-13	11
AN315-3I	6-7	7	AN316-5R	9-15	26
AN315-3L	6-8	12	AN316-5R	9-5	–
AN315-3L	7-3	16	AN316-6R	3-17	16
AN315-3R	3-6	570	AN316-6R	3-18	4
AN315-3R	3-6	720	AN316-6R	3-18	13
AN315-3R	6-6	4	AN316-7	6-6	3
AN315-3R	6-6	17	AN316-8	5-9	10
AN315-3R	6-7	2	AN316-8R	5-9	10
AN315-3R	6-7	9	AN3-16A	6-14	3
AN315-3R	6-8	3	AN3-16A	9-1	7
AN315-3R	6-8	10	AN3-16A	9-9	19
AN315-3R	7-3	14	AN3-17A	3-9	9
AN315-4R	9-14	30	AN320-4	9-10	13
AN3-15A	3-11	3	AN320-6	9-11	11
AN3-15A	6-10	19B	AN320-6	9-12	27
AN315C4R	10-17	8	AN320-7	9-11	9
AN316-4	6-8	16	AN320-8	9-12	33
AN316-4L	9-14	6	AN3-20A	3-10	6
AN316-4L	9-14	11	AN3-20A	4-6	12
AN316-4L	9-2	23	AN3-3A	10-12	4
AN316-4L	9-5	5	AN3-3A	10-13	21
AN316-4L	9-5	21	AN3-3A	11-1	32
AN316-4L	9-8	17	AN3-3A	6-14	6
AN316-4R	6-7	22	AN3-3A	6-3	33
AN316-4R	6-7.2	19	AN3-3A	9-2	47
AN316-4R	9-14	5	AN3-3A	9-2	57
AN316-4R	9-14	10	AN3-3A	9-9	8

ENSTROM TH-28/480 SERIES ILLUSTRATED PARTS CATALOG

PART NUMBER INDEX

Part Number	Figure	Item	Part Number	Figure	Item
AN340-2	10-23	10	AN3-4A	6-9	3
AN340-4	9-3	37	AN3-4A	6-9	31
AN340-6	10-1	–	AN3-4A	9-4	32
AN340-6	10-2	–	AN3-5	9-14	45
AN340-6	10-3	–	AN3-5A	3-18	45
AN340-8	10-1	–	AN3-5A	3-9	15
AN340-8	10-2	–	AN3-5A	4-2	26
AN340-8	10-21	7	AN3-5A	6-10	19A
AN340-8	10-22	9	AN3-5A	6-10	9
AN340-8	10-24	7	AN3-5A	6-3	23
AN340-8	10-3	–	AN3-5A	6-9	33
AN340-8	10-4	–	AN3-5A	7-10	12
AN340-8	11-2	11	AN3-5A	7-9	7
AN340-8	11-2	27	AN3-5A	9-9	1
AN340-8	5-8	18	AN3-6	9-14	40
AN340-8	5-8	58	AN364-1032	3-4	160
AN340-8	6-1	82	AN364-1032	3-4	210
AN340-8	6-1	109	AN364-1032A	10-12	6
AN340-832	10-20	8	AN364-1032A	10-12	12
AN340-832	5-8	87	AN364-1032A	10-12	16
AN340-832	6-1	31	AN364-1032A	10-12	20
AN340-832	6-4	15	AN364-1032A	10-13	16
AN340-832	9-12	39	AN364-1032A	10-13	20
AN345-10	6-7.1	10	AN364-1032A	10-13	23
AN3-4A	10-12	14	AN364-1032A	10-13	27
AN3-4A	10-13	18	AN364-1032A	10-17	27
AN3-4A	10-14	5	AN364-1032A	10-18	8
AN3-4A	10-14	10	AN364-1032A	10-18	26
AN3-4A	10-14	14	AN364-1032A	10-27	14
AN3-4A	10-18	7	AN364-1032A	11-1	31
AN3-4A	10-18	30	AN364-1032A	3-12	15
AN3-4A	3-18	22	AN364-1032A	3-6	180
AN3-4A	3-18	45A	AN364-1032A	3-6	600
AN3-4A	3-8	15	AN364-1032A	3-6	750
AN3-4A	5-5	56	AN364-1032A	3-8	44
AN3-4A	6-11	24	AN364-1032A	5-2	110
AN3-4A	6-12	26	AN364-1032A	5-2	150

ENSTROM TH-28/480 SERIES ILLUSTRATED PARTS CATALOG

PART NUMBER INDEX

Part Number	Figure	Item	Part Number	Figure	Item
AN364-1032A	5-2	190	AN364-624A	8-3	45
AN364-1032A	5-2	250	AN364-632A	10-1	–
AN364-1032A	5-2	710	AN364-632A	10-18	14
AN364-1032A	5-2	770	AN364-632A	10-18	37
AN364-1032A	5-2	800	AN364-632A	10-19	–
AN364-1032A	5-2	830	AN364-632A	10-19	8
AN364-1032A	5-5	8	AN364-632A	10-28	11
AN364-1032A	5-6	16	AN364-632A	10-29	120
AN364-1032A	5-8	66	AN364-632A	10-29	180
AN364-1032A	5-9	4	AN364-632A	10-4	–
AN364-1032A	6-1	79	AN364-632A	11-4	7
AN364-1032A	6-10	5	AN364-632A	11-6	170
AN364-1032A	6-10	5	AN364-632A	8-7	31
AN364-1032A	6-11	26	AN364-832A	10-33	9
AN364-1032A	6-12	28	AN364-832A	11-1	19
AN364-1032A	7-10	–	AN364-832A	11-1	39
AN364-1032A	7-10	–	AN364-832A	11-5	290
AN364-1032A	7-11	26	AN364-832A	3-3	18
AN364-1032A	7-4	20	AN364-832A	5-10	5
AN364-1032A	7-5	23	AN364-832A	5-11	240
AN364-1032A	7-9	6	AN364-832A	5-12	260
AN364-1032A	9-1	9	AN364-832A	5-2	460
AN364-1216A	8-3	40	AN364-832A	5-5	42
AN364-428A	3-6	110	AN364-832A	5-6	24
AN364-428A	4-1	5	AN364-832A	6-1	76
AN364-428A	4-1	23	AN364-832A	6-3	56
AN364-428A	4-2	24	AN364-832A	6-4	7
AN364-428A	4-6	4	AN364-832A	6-4	18
AN364-428A	5-2	300	AN364-832A	6-9	52
AN364-428A	8-7	28	AN364-832A	7-3	29
AN364-524A	4-4	28	AN365-1032A	10-16	17
AN364-524A	7-4	28	AN365-1032A	10-18	10
AN364-524A	7-5	31	AN365-1032A	10-18	32
AN364-524A	7-6	5	AN365-1032A	3-10	9
AN364-524A	7-6.1	5	AN365-1032A	3-11	5
AN364-624A	3-1	330	AN365-1032A	3-15	9
AN364-624A	4-1	35	AN365-1032A	3-19	16

ENSTROM TH-28/480 SERIES ILLUSTRATED PARTS CATALOG

PART NUMBER INDEX

Part Number	Figure	Item	Part Number	Figure	Item
AN365-1032A	3-8	9	AN365-624A	8-3	57
AN365-1032A	4-4	20	AN365-632A	4-4	13
AN365-1032A	4-6	14	AN365-832	9-14	62
AN365-1032A	5-12	50	AN365-832A	10-18	17
AN365-1032A	5-9	4	AN365-832A	3-13	29
AN365-1032A	6-10	17	AN365-832A	9-14	62
AN365-1032A	6-9	6	AN3-6A	10-14	9
AN365-1032A	6-9	42	AN3-6A	10-14	13
AN365-1032A	7-11	26	AN3-6A	6-9	3
AN365-1032A	7-3	22	AN3-6A	7-3	17
AN365-1032A	7-8	37	AN3-6A	7-9	4
AN365-1032A	9-2	48	AN370-3	6-9	56
AN365-1032A	9-2	58	AN3-7A	6-10	13
AN365-428A	3-6.1	140	AN3-7A	6-9	29
AN365-428A	3-9	4	AN3-7A	7-3	17
AN365-428A	4-1	12	AN3-7A	7-3	19
AN365-428A	4-1	31	AN3-7A	7-9	4
AN365-428A	4-2	10	AN380-4-8	8-3	24
AN365-428A	6-10	26	AN381-2-10	3-6.1	90
AN365-428A	6-9	39	AN381-2-10	9-15	22
AN365-428A	7-10	18	AN381-2-12	9-11	10
AN365-428A	7-3	11	AN381-2-16	9-15	14
AN365-428A	7-8.2	80	AN381-2-7	9-14	18
AN365-524A	4-1	9	AN381-2-8	6-1	86
AN365-524A	4-1	28	AN381-2-8	9-10	6
AN365-524A	4-2	14	AN381-2-8	9-13	8
AN365-524A	4-3	8	AN381-3-12	9-1	35
AN365-524A	4-4	25	AN381-3-12	9-12	28
AN365-524A	4-6	7	AN381-3-12	9-14	43
AN365-524A	6-13	8	AN381-3-16	8-6	9
AN365-524A	6-6	20	AN381-3-16	9-12	34
AN365-524A	8-1	16	AN381-3-8	10-33	4
AN365-524A	8-2	16	AN386-2-7A	7-11	24
AN365-624A	4-2	21	AN386-2-8A	6-10	3
AN365-624A	4-3	4	AN386-2-8A	6-10	3
AN365-624A	7-6	22	AN386-2-8A	7-8	35
AN365-624A	7-6.1	21	AN386-2-9A	6-10	3

ENSTROM TH-28/480 SERIES ILLUSTRATED PARTS CATALOG

PART NUMBER INDEX

Part Number	Figure	Item	Part Number	Figure	Item
AN386-2-9A	7-10	–	AN4-34A	4-1	24
AN386-2-9A	7-10	–	AN4-36A	4-6	2
AN386-2-9A	7-4	18	AN4-37A	4-1	21
AN386-2-9A	7-5	21	AN4-37A	4-2	22
AN3-8A	11-1	29	AN4-3A	10-18	27
AN393-9	3-2	–	AN4-3A	7-8	22
AN3H3A	6-7.1	3	AN4-3A	7-8.1	19
AN3H-3A	7-11	28	AN4-4A	5-12	80
AN3H4A	9-12	36	AN4-5A	3-18	31
AN3H5A	7-3	2	AN4-5A	5-12	80
AN3H5A	7-10	12	AN4-5A	8-7	26
AN4076-1	7-8	8	AN4-6A	3-18	37
AN4076-1	7-8.1	5	AN4-6A	7-6	16
AN4-10A	3-8	3	AN4-6A	7-6.1	15
AN4-11	9-13	9	AN470AD3-5	3-5	70
AN4-11A	3-10	10	AN4-7A	3-18	40
AN4-13	9-15	28	AN4-7A	6-10	23
AN4-13	9-15	38	AN4C5A	10-17	4
AN4-14	9-10	1	AN4C6A	10-17	5
AN4-14	9-15	38	AN4H10A	8-5	17
AN4-14A	4-1	10	AN4H15A	8-5	28
AN4-14A	4-1	29	AN4H3A	5-1	6
AN416-1	9-1	27	AN4H-4A	8-7	25
AN4-17A	3-9	5	AN4H-4A	9-12	17
AN4-17A	3-12	7	AN4-7A	7-10	15
AN4-17A	3-18	33	AN4H5A	7-3	9
AN4-17A	7-8.2	59	AN4H7A	7-10	15
AN4-20A	3-12	7	AN4-XXX	10-24.1	16
AN4-21A	3-9	19	AN502-10-10	9-12	36
AN4-21A	6-9	37	AN502-10-10	9-3	39
AN4-22A	3-9	2	AN502-10-12	7-11	17
AN4-22A	6-9	41	AN502-10-8	9-3	16
AN4-25A	3-12	7	AN503-10-10	9-10	15
AN4-26A	3-12	7	AN503-10-10	9-12	11
AN42B-14A	3-4	180	AN503-10-18	9-15	4
AN4-33A	4-2	8	AN503-10-6	11-2	15
AN4-34A	4-1	3	AN503-10-6	11-2	32

ENSTROM TH-28/480 SERIES ILLUSTRATED PARTS CATALOG

PART NUMBER INDEX

Part Number	Figure	Item	Part Number	Figure	Item
AN503-8-6	6-11	5	AN5158R10	3-2	–
AN503-8-6	6-12	5	AN5158R10	3-2	–
AN503-8-6	9-3	29	AN5158R10	3-2	–
AN503-8-8	8-2	49	AN515-8R10	10-21	4
AN503-8-8	9-3	9	AN515-8R10	10-24.1	4
AN507-1024R7	6-4	22	AN515-8R10	5-10	8
AN507-1032R14	10-17	14	AN515-8R10	6-3	30
AN507-1032R8	3-19	14	AN515-8R10	6-4	14
AN507-632R4	10-30	5	AN515-8R12	6-1	29
AN507-632R4	3-8	29	AN515-8R14	10-21	8
AN507-632R7	10-30	7	AN515-8R14	10-23	3
AN507-632R7	3-8	28	AN515-8R14	7-3	27
AN507-6R8	3-16	7	AN515-8R6	11-1	42
AN507-832R-10	9-9	11	AN515-8R7	11-1	37
AN507-832R6	6-5	5	AN515-8R7	11-2	10
AN507-832R7	4-5	19	AN515-8R7	11-2	26
AN507-832R7	6-5	6	AN515-8R7	5-6	22
AN507-832R8	9-7.1	8	AN515-8R7	5-8	19
AN507-832R8	9-7.1	10	AN515-8R7	5-8	59
AN507-832R8	9-7.2	8	AN515-8R7	9-7.1	23
AN507-832R8	9-7.2	10	AN515-8R7	9-7.2	23
AN509-10R10	3-6.1	230	AN515-8R8	10-20	5
AN509-8R10	11-5	110	AN515-8R8	10-24.1	4
AN509-8R10	6-5	12	AN515-8R8	11-1	17
AN509-8R14	6-5	16	AN515-8R8	5-10	3
AN509-8R16	11-1	46	AN515-8R8	5-11	130
AN5-11	9-13	15	AN515-8R8	6-1	81
AN5-11A	7-5	28	AN515-8R8	6-1	108
AN5-12A	4-2	17	AN515-8R8	6-4	5
AN5-13A	4-2	17	AN515-8R8	6-4	19
AN5-13A	6-1	93	AN515-8R8	6-7.2	8
AN515-4R12	9-3	35	AN515-8R9	10-22	6
AN515-6R8	11-4	3	AN515-8R9	10-24	4
AN515-6R8	11-5	210	AN5-15A	4-2	12
AN515-8-10	5-12	250	AN515B6R10	10-1	–
AN515-8-12	5-12	300	AN515B6R10	10-1	–
AN515-832R7	5-8	88	AN515B6R10	10-2	–

ENSTROM TH-28/480 SERIES ILLUSTRATED PARTS CATALOG

PART NUMBER INDEX

Part Number	Figure	Item	Part Number	Figure	Item
AN515B6R10	10-2	–	AN525-10R10	5-1	20
AN515B6R10	10-3	–	AN525-10R10	5-3	15
AN515B6R10	App A	–	AN525-10R10	5-4	15
AN515-B6R10	App A	–	AN525-10R10	6-3	2
AN515B6R14	10-4	–	AN525-10R10	6-3	37
AN515B6R16	10-1	–	AN525-10R10	6-3	39
AN515B6R16	10-1	–	AN525-10R10	7-9	9
AN515B6R16	10-1	–	AN525-10R12	3-8	21
AN515B6R16	10-1	–	AN525-10R12	5-2	170
AN515B6R16	10-2	–	AN525-10R12	6-3	42
AN515B6R16	10-2	–	AN525-10R12	7-9	9
AN515B6R16	10-2	–	AN525-10R14	3-8	21
AN515B6R16	10-2	–	AN525-10R14	3-8	32
AN515B6R16	10-2	–	AN525-10R14	5-2	130
AN515B6R16	10-3	–	AN525-10R14	7-9	9
AN515B6R16	10-3	–	AN525-10R16	5-2	220
AN515B6R16	10-3	–	AN525-10R18	5-1	15
AN515B6R16	10-4	–	AN525-10R6	6-3	3
AN515B6R16	10-4	–	AN525-10R6	6-3	6
AN515B6R16	10-4	–	AN525-10R6	7-1.1	100
AN515B6R4	10-10	6	AN525-10R7	5-1	19
AN515B6R7	10-1	–	AN525-10R7	5-3	14
AN515B6R7	10-2	–	AN525-10R7	5-4	14
AN515B6R7	10-3	–	AN525-10R7	6-3	9
AN515B6R7	10-3	–	AN525-10R7	6-3	9
AN515B6R7	10-4	–	AN525-10R8	11-6	80
AN515B8R8	10-1	–	AN525-10R8	3-13	30
AN515B8R8	10-2	–	AN525-10R8	3-19	10
AN515B8R8	10-3	–	AN525-10R8	5-3	17
AN515B8R8	10-4	–	AN525-10R8	5-4	17
AN5-16	9-13	18	AN525-416R8	5-1	23
AN5-16A	4-3	6	AN525-416R10	5-1	23
AN5-16A	4-4	24	AN525-416R10	5-1	28
AN520-10-“X”	8-7	24	AN525-416R10	5-4	32
AN520-10R16	5-5	5	AN525-416R14	5-1	23A
AN520-10R16	5-6	13	AN525-416R6	5-3	13
AN525-10R10	3-2	–	AN525-416R6	5-4	13

ENSTROM TH-28/480 SERIES ILLUSTRATED PARTS CATALOG

PART NUMBER INDEX

Part Number	Figure	Item	Part Number	Figure	Item
AN525-632R10	3-8	27	AN526-1032R8	3-6	870
AN525-832R10	3-2	31	AN526-1032R8	3-6	910
AN525-832R10	3-3	–	AN526-1032R8	3-6.1	170
AN525-832R10	5-11	80	AN526-632R	10-29	140
AN525-832R16	11-1	47	AN526-632R10	10-30	6
AN525-832R6	3-8	42	AN526-632R12	11-5	250
AN525-832R7	10-38	70	AN526-632R4	6-7.1	2
AN525-832R7	11-6	70	AN526-632R6	10-1	–
AN525-832R7	3-8	42	AN526-632R6	10-35	4
AN525-832R7	5-2	440	AN526-632R6	3-21	–
AN525-832R7	6-6	28	AN526-632R6	3-4	30
AN525-832R7	6-8	22	AN526-632R6	3-4	230
AN525-832R8	10-33	7	AN526-632R7	10-18	12
AN525-832R8	10-38	30	AN526-632R7	10-18	35
AN525-832R8	11-5	300	AN526-632R7	10-19	–
AN525-832R8	3-3	16	AN526-632R7	10-19	6
AN525-832R8	3-8	42	AN526-632R7	10-29	10
AN525-832R8	5-3	16	AN526-632R7	11-4	5
AN525-832R8	5-4	16	AN526-632R8	10-28	7
AN525-8R7	11-1	23	AN526-632R8	10-29	100
AN525-8R7	4-5	13	AN526-632R8	3-4	90
AN525-8R7	5-11	220	AN526-632R8	3-4	260
AN525-8R7	5-5	40	AN526-6R6	10-24.1	7
AN525-8R7	6-9	50	AN526-832R7	9-14	63
AN525-8R8	6-1.1	230	AN526-832R8	10-28	16
AN526-1032R6	3-6	220	AN526-832R8	10-29	90
AN526-1032R6	3-6	390	AN526-832R8	3-13	27
AN526-1032R6	3-6	950	AN526-832R8	3-18	9
AN526-1032R6	5-2	470	AN526-832R8	3-18	18
AN526-1032R8	3-6	160	AN526-832R8	6-12	9
AN526-1032R8	3-6	260	AN526-832R8	9-1	39
AN526-1032R8	3-6	450	AN526-832R8	9-14	63
AN526-1032R8	3-6	590	AN526-832R-8	9-9	9
AN526-1032R8	3-6	640	AN526-8R8	9-14	63
AN526-1032R8	3-6	700	AN526C-1032R9	3-4	190
AN526-1032R8	3-6	740	AN530-4-6	11-5	190
AN526-1032R8	3-6	820	AN530-6R6	10-1	15

ENSTROM TH-28/480 SERIES ILLUSTRATED PARTS CATALOG

PART NUMBER INDEX

Part Number	Figure	Item	Part Number	Figure	Item
AN530-6R6	10-10	8	AN5H-46A	8-2	2
AN530-6R6	10-2	15	AN5H-6A	8-1	1
AN530-6R6	10-3	15	AN5H-6A	8-2	1
AN530-6R6	10-4	15	AN6-20A	4-3	2
AN530-6R6	11-4	12	AN6227-11	7-11	8
AN530-6R6	4-2	–	AN6227-3	7-11	12
AN530-8R8	3-2	–	AN6227-6	7-8	–
AN530-8R8	3-2	–	AN6227-6	7-9	–
AN530-8R8	3-2	–	AN6-23A	4-2	19
AN530-8R8	3-2	–	AN654-832A	11-2	14
AN530-8R8	3-2	17	AN654-832A	11-2	30
AN530-8R8	4-2	–	AN690-10	3-14	–
AN531-6R12	3-17	–	AN742F10	6-4	4
AN531-6R8	3-16	4	AN742F8	6-4	3
AN531-8R8	3-2	–	AN743-13	11-2	2
AN5-33A	7-6	3	AN743-13	5-5	21
AN5-33A	7-6	3	AN743-13	5-6	27
AN5-33A	7-6	3	AN75-A12	8-3	54
AN5-33A	7-6.1	3	AN75-A6	8-3	53
AN5-35A	4-1	7	AN7H-7A	8-7	33
AN5-35A	4-6	5	AN814-2D	8-2	32
AN5-37A	4-1	26	AN814-2DL	5-8	52
AN5-37A	4-1	33	AN814-2DL	7-1	13
AN5-37A	6-13	6	AN814-2DL	7-1.1	200
AN5-43A	8-1	5	AN814-2DL	7-11	7
AN5-43A	8-2	5	AN814-2DL	7-5	10
AN5-44A	8-1	5	AN814-2DL	8-5	26
AN5-44A	8-2	5	AN814-4DL	6-9	24
AN5-4A	4-6	9	AN814-5DL	7-8	2
AN5-4A	7-8.1	33	AN814-5DL	7-8.1	2
AN5534-2	10-21	2	AN814-6DL	6-9	13
AN5546-1	7-8	38	AN814-8DL	6-9	11
AN5546-1	7-8.1	34	AN814-8DL	7-5	7
AN5816-2	10-33	16	AN815-6J	6-4	24
AN5H-45A	8-1	2	AN816-4D	5-12	110
AN5H-45A	8-2	2	AN816-4D	5-9	11
AN5H-46A	8-1	2	AN816-6D	7-8	9

ENSTROM TH-28/480 SERIES ILLUSTRATED PARTS CATALOG

PART NUMBER INDEX

Part Number	Figure	Item	Part Number	Figure	Item
AN816-6D	7-8.1	6	AN931-4-12	7-7	7
AN816-8D	11-2	8	AN931-4-7	5-8	–
AN816-8D	11-2	24	AN931-5-12	3-2	–
AN816-8J	11-2	7	AN931-5-12	3-2	–
AN816-8J	11-2	23	AN931-5-12	3-2	–
AN818-4D	10-33	–	AN931-8-13	7-7	7
AN818-4D	6-3	61	AN931-8-20	7-7	6
AN824-6J	6-3	12	AN932-3D	7-8	3
AN824-6J	6-4	36	AN935-10	6-7.1	11
AN824-8D	11-1	10	AN935-4	9-3	36
AN824-8D	11-3	7	AN935-416L	7-8	21
AN824-8D	5-5	2	AN935-416L	7-8.1	18
AN824-8J	11-1	7	AN935-6	10-1	–
AN832-4D	6-3	50	AN935-6	10-2	–
AN833-4	6-1	38	AN935-6	10-3	–
AN833-6J	6-3	14	AN935-8	10-21	6
AN833-6J	6-4	33	AN935-8	10-22	8
AN900-10	7-9	24	AN935-8	10-24	6
AN900-6	7-8	1	AN935-8	6-1	32
AN900-6	7-8.1	1	AN935-8	6-1	74
AN900-8	7-11	10	AN935-8	6-1	111
AN924-4	6-1	40	AN935B8	10-1	–
AN924-4D	5-2	430	AN935B8	10-2	–
AN924-4D	6-3	51	AN935B8	10-3	–
AN924-6D	5-7	10	AN935B8	10-4	–
AN924-6J	6-3	16	AN936-416	11-5	260
AN924-6J	6-4	34	AN936A2	10-23	9
AN929-4D	10-33	21	AN936A416	11-1	25
AN929A4J	6-1	68	AN936-A416	4-5	15
AN929A4S	6-3	64	AN936-A516	11-2	5
AN931-10-20	10-13	30	AN936-A516	11-2	21
AN931-3-5	10-1	–	AN936A716	6-6	2
AN931-3-5	10-2	–	AN936-B4	9-3	–
AN931-3-5	10-3	–	AN938-8	10-20	7
AN931-3-5	10-4	41	AN950-516L	4-3	9
AN931-3-5	6-9	5	AN960-10	10-12	5
AN931-3-9	6-1.1	270	AN960-10	10-12	11

ENSTROM TH-28/480 SERIES ILLUSTRATED PARTS CATALOG

PART NUMBER INDEX

Part Number	Figure	Item	Part Number	Figure	Item
AN960-10	10-13	15	AN960-10	9-14	41A
AN960-10	10-13	22	AN960-10	9-14	46
AN960-10	10-16	16	AN960-10	9-3	17
AN960-10	10-17	3	AN960-10L	10-12	15
AN960-10	3-12	14	AN960-10L	10-12	19
AN960-10	3-6	170	AN960-10L	10-13	19
AN960-10	3-6	580	AN960-10L	10-13	26
AN960-10	3-6	730	AN960-10L	10-14	6
AN960-10	3-8	16	AN960-10L	10-16	12
AN960-10	4-6	13	AN960-10L	10-17	11
AN960-10	5-11	270	AN960-10L	10-17	25
AN960-10	5-12	40	AN960-10L	10-18	19
AN960-10	5-2	700	AN960-10L	10-18	25
AN960-10	5-2	760	AN960-10L	10-19	2
AN960-10	5-2	790	AN960-10L	10-27	15
AN960-10	5-2	820	AN960-10L	11-1	30
AN960-10	5-8	23	AN960-10L	3-11	4
AN960-10	5-8	55	AN960-10L	3-12	13
AN960-10	5-8	91	AN960-10L	3-15	8
AN960-10	5-9	3	AN960-10L	3-19	15
AN960-10	6-1	36	AN960-10L	3-8	8
AN960-10	6-1	85	AN960-10L	4-2	28
AN960-10	6-10	4	AN960-10L	4-4	19
AN960-10	6-10	4	AN960-10L	5-2	100
AN960-10	6-10	16	AN960-10L	5-2	140
AN960-10	6-14	4	AN960-10L	5-2	180
AN960-10	6-2	9	AN960-10L	5-2	240
AN960-10	6-7.1	12	AN960-10L	5-5	7
AN960-10	6-9	4	AN960-10L	5-6	15
AN960-10	7-10	13	AN960-10L	5-9	3
AN960-10	7-11	25	AN960-10L	6-10	14
AN960-10	7-4	19	AN960-10L	6-10	16
AN960-10	7-5	22	AN960-10L	6-10	20
AN960-10	7-8	36	AN960-10L	6-11	7
AN960-10	8-3	–	AN960-10L	6-11	25
AN960-10	8-3	30	AN960-10L	6-12	7
AN960-10	8-7	23	AN960-10L	6-12	27

ENSTROM TH-28/480 SERIES ILLUSTRATED PARTS CATALOG

PART NUMBER INDEX

Part Number	Figure	Item	Part Number	Figure	Item
AN960-10L	6-6	10	AN960-416L	10-24.1	17
AN960-10L	6-7	13	AN960-416L	3-12	4
AN960-10L	6-7.1	5	AN960-416L	3-6	120
AN960-10L	6-9	4	AN960-416L	3-6.1	130
AN960-10L	7-11	27	AN960-416L	3-8	4
AN960-10L	7-3	18	AN960-416L	3-9	3
AN960-10L	7-9	5	AN960-416L	4-1	11
AN960-10L	8-3	31	AN960-416L	4-1	30
AN960-10L	8-7	23	AN960-416L	4-2	9
AN960-10L	9-1	8	AN960-416L	5-2	310
AN960-10L	9-10	8	AN960-416L	6-1	20
AN960-10L	9-12	37	AN960-416L	6-10	24
AN960-10L	9-14	26	AN960-416L	9-10	2
AN960-10L	9-14	41	AN960-416L	9-10	12
AN960-10L	9-15	5	AN960-416L	9-12	16
AN960-10L	9-2	43	AN960-416L	9-15	29
AN960-10L	9-2	53	AN960-416L	9-2	2
AN960-10L	9-4	31	AN960-416L	9-5	8
AN960-10L	9-6	36	AN960-416L	9-8	23
AN960-10L	9-7.1	29	AN960-4L	3-3	–
AN960-10L	9-8	2	AN960-4L	3-3	24
AN960-10L	9-9	6	AN960-4L	6-7.2	5
AN960-3	6-3	24	AN960-4L	7-8.2	70
AN960-416	3-8	4	AN960-4L	9-3	41
AN960-416	4-1	4	AN960-516	4-1	8
AN960-416	4-1	22	AN960-516	4-1	27
AN960-416	4-2	11	AN960-516	4-2	13
AN960-416	4-6	3	AN960-516	4-3	7
AN960-416	5-12	90	AN960-516	4-6	6
AN960-416	6-10	24	AN960-516	6-1	94
AN960-416	7-1	17	AN960-516	6-1	102
AN960-416	7-8	20	AN960-516	7-3	31
AN960-416	7-8.1	17	AN960-516	7-4	26
AN960-416	8-5	16	AN960-516	7-5	29
AN960-416	9-13	6	AN960-516	7-6	4
AN960-416	9-15	31	AN960-516	7-6	4
AN960-416L	10-18	28	AN960-516	7-6	4

ENSTROM TH-28/480 SERIES ILLUSTRATED PARTS CATALOG

PART NUMBER INDEX

Part Number	Figure	Item	Part Number	Figure	Item
AN960-516	7-6.1	4	AN960-616L	4-3	5
AN960-516	8-1	6	AN960-616L	6-7.2	15
AN960-516	8-2	6	AN960-616L	9-12	21
AN960-516	9-13	21	AN960-6L	10-18	13
AN960-516L	4-2	18	AN960-6L	10-18	36
AN960-516L	4-4	23	AN960-6L	10-19	–
AN960-516L	4-6	10	AN960-6L	10-19	7
AN960-516L	5-8	13	AN960-6L	10-28	10
AN960-516L	6-1	92	AN960-6L	10-29	110
AN960-516L	6-1	94	AN960-6L	10-29	150
AN960-516L	7-2	12	AN960-6L	10-29	170
AN960-516L	7-3	31	AN960-6L	10-4	–
AN960-516L	7-4	26	AN960-6L	11-6	160
AN960-516L	7-5	29	AN960-6L	3-4	40
AN960-516L	8-1	6	AN960-6L	3-4	240
AN960-516L	8-2	6	AN960-716	5-2	420
AN960-516L	9-13	16	AN960-716	8-7	32
AN960-516L	9-15	20	AN960-716L	9-11	8
AN960-516L	9-5	24	AN960-8	10-20	6
AN960-6	10-1	–	AN960-8	10-33	8
AN960-6	10-1	–	AN960-8	11-1	38
AN960-6	10-2	–	AN960-8	11-2	13
AN960-6	10-3	–	AN960-8	11-2	29
AN960-6	11-4	6	AN960-8	5-12	270
AN960-6	4-4	12	AN960-8	5-12	320
AN960-616	3-1	220	AN960-8	5-8	15
AN960-616	3-1	320	AN960-8	6-1	75
AN960-616	3-1	350	AN960-8	6-1	110
AN960-616	3-1	370	AN960-8	6-2	9
AN960-616	3-1	400	AN960-8	6-3	31
AN960-616	4-1	14	AN960-8	6-4	17
AN960-616	4-3	3	AN960-816	5-9	8
AN960-616	7-6	21	AN960-816	6-1	39
AN960-616	7-6.1	20	AN960-816	8-6	6
AN960-616	7-7	3	AN9608L	6-7.2	10
AN960-616	9-12	26	AN960-8L	10-17	22
AN960-616L	4-2	20	AN960-8L	10-18	16

ENSTROM TH-28/480 SERIES ILLUSTRATED PARTS CATALOG

PART NUMBER INDEX

Part Number	Figure	Item	Part Number	Figure	Item
AN960-8L	10-21	5	AN960-916	6-4	32
AN960-8L	10-22	7	AN960B8	10-1	–
AN960-8L	10-24	5	AN960B8	10-2	–
AN960-8L	10-30	3	AN960B8	10-3	–
AN960-8L	11-1	18	AN960B8	10-4	–
AN960-8L	11-5	280	AN960C10	10-16	3
AN960-8L	3-13	28	AN960C10	10-16	10
AN960-8L	3-2	–	AN960C10	6-13	9
AN960-8L	3-2	–	AN960C10	6-14	7
AN960-8L	3-2	–	AN960C10	6-6	25
AN960-8L	3-2	–	AN960C10	6-8	6
AN960-8L	3-2	–	AN960C10L	6-1	80
AN960-8L	3-2	–	AN960C10L	6-6	23
AN960-8L	3-3	17	AN960C10L	6-8	6
AN960-8L	5-10	4	AN960C1216	8-3	39
AN960-8L	5-11	210	AN960C416	7-10	16
AN960-8L	5-11	230	AN960C416L	10-17	6
AN960-8L	5-2	450	AN960C416L	10-17	16
AN960-8L	5-5	41	AN960C416L	10-18	–
AN960-8L	5-6	23	AN960C416L	6-8	20
AN960-8L	5-8	7	AN960C416L	7-10	16
AN960-8I	5-8	33	AN960C516	6-1	56
AN960-8L	5-8	74	AN960C516L	10-17	30
AN960-8L	6-1	33	AN960D10	10-18	3
AN960-8L	6-1.1	240	AN960D10	10-19	–
AN960-8L	6-12	10	AN960D10	10-23	6
AN960-8L	6-3	55	AN960D10	11-2	16
AN960-8L	6-4	6	AN960D10	11-2	31
AN960-8L	6-4	16	AN960D10	11-6	90
AN960-8L	6-9	51	AN960D10	6-8	18
AN960-8L	8-1	33	AN960D10	6-9	30
AN960-8L	8-2	38	AN960D10	8-7	23
AN960-8L	9-14	64	AN960D10	9-1	21
AN960-8L	9-3	10	AN960D10L	10-17	28
AN960-8L	9-3	31	AN960D10L	10-18	31
AN960-8L	9-9	10	AN960D10L	10-25	7
AN960-916	6-3	15	AN960D10L	10-26	8

ENSTROM TH-28/480 SERIES ILLUSTRATED PARTS CATALOG

PART NUMBER INDEX

Part Number	Figure	Item	Part Number	Figure	Item
AN960D10L	11-6	100	AN960PD10	10-16	22
AN960D10L	3-2	–	AN960PD10	7-3	3
AN960D10L	3-2	–	AN960PD10L	3-6.1	210
AN960D10L	3-2	25	AN960PD10L	3-6.1	240
AN960D10L	3-21	–	AN960PD10L	3-8	22
AN960D10L	6-8	18	AN960PD416	7-3	10
AN960D10L	8-7	23	AN960PD416	7-6	17
AN960D10L	9-10	14	AN960PD416	7-6.1	16
AN960D10L	9-4	7	AN960PD8L	7-3	28
AN960D10L	9-4	21	AN964-6C	6-4	31
AN960D3L	10-28	14	AN970-3	5-2	230
AN960D3L	10-29	220	AN970-3	6-12	30
AN960D416	11-5	230	AN970-3	6-3	25
AN960D416	6-9	38	AN970-3	6-3	26
AN960D416	9-14	15	AN975-3	6-10	4
AN960D416	9-14	16	AN975-3	7-5	22
AN960D416	9-2	8	AN975-3	7-10	–
AN960D416L	11-5	220	AN975-3	7-10	–
AN960D416L	9-14	15	ANL100	App A	–
AN960D416L	9-2	4	ANL-100	10-16	6
AN960D516	8-1	3	ANL-100	10-17	15
AN960D516	8-2	3	ANL-100	App A	–
AN960D516	8-3	52	ANL150	App A	–
AN960D516L	8-1	3	ANL-150	10-17	15
AN960D516L	8-2	3	ANL-150	App A	–
AN960D516L	10-4	–	ANL35	App A	–
AN960D616	8-3	44	ANL-35	10-17	29
AN960D616	9-1	32	ANL-35	App A	–
AN960D616L	9-1	33	AP-1-3-50-051	10-1	24
AN960D8	3-2	23	AP-1-3-50-051	10-2	24
AN960D8	8-1	18	AP-1-3-50-051	10-7	1
AN960D8	8-2	18	AP-1-3-50-051	10-8	1
AN960D8	8-3	36	AP-1-3-50-051	10-9	1
AN960D8L	10-28	10	AP22-6	8-6	3
AN960D8L	10-33	8	AS3084-08	6-1	12
AN960D8L	3-3	17	AS3209-113	6-1	54
AN960KD10L	9-4	21	AS3209-113	6-1	54

ENSTROM TH-28/480 SERIES ILLUSTRATED PARTS CATALOG

PART NUMBER INDEX

Part Number	Figure	Item	Part Number	Figure	Item
AS3209-113	6-1	54	CA3106F10-6S	10-1	–
AS3491-01	6-1	18	CA3106F10-6S	10-2	–
AS3492-01	6-1	55	CA3106F10-6S	10-3	–
AV-22	10-38	120	CA3106F12S3SF80	5-12	200
AV-22	10-39	110	CA3106F14S-5SF80	10-1	–
B-00396-1	10-18	6	CA3106F14S-5SF80	10-1	–
B1000-050-S	9-9	17	CA3106F14S-5SF80	10-2	–
B1210	App A	–	CA3106F14S-5SF80	10-2	–
B-1210	8-7	5	CA3106F14S-5SF80	10-2	–
B-1210	App A	–	CA3106F14S-5SF80	10-3	–
B-1GF2-B	5-9	5	CA3106F14S-5SF80	10-3	–
B46-2 1/2	9-3	11	CA3106F14S-5SF80	10-3	–
BPF 15/16	10-12	22	CA3106F14S-5SF80	10-3	–
BPF 15/16	10-13	32	CA3106F20-29SF80	10-18	–
BPF 15/16	10-15	–	CBR1M-M	10-24.1	–
BPF-1/2	3-8	14	CBR1M-M	10-24.2	–
BPF-3/4	4-5	22	CBR1M-M	10-36	–
BPF-3/4	9-7	19	CBR1M-M	10-39	50
C0455-039-0500M	9-6	20	CBR2M-M	10-24.1	–
C0480-035-0750-M	3-17	28	CBR2M-M	10-24.2	–
C0480-035-0750-M	3-17	34	CBR2M-M	10-36	–
C0480-045-0880-S	3-18	6	CBR3I-M	10-24.1	–
C0480-045-0880-S	3-18	15	CBR3I-M	10-24.2	–
C0600-063-1250	3-17	22	CBR3I-M	10-36	–
C102780	3-16	15	CBR3S-M	10-24.1	–
C102780	3-18	25	CBR3S-M	10-24.2	–
C145712	6-7	17	CBR3S-M	10-36	–
C145712	6-7	18	CC-3251	3-3	11
C148740	7-4	22	CCH25-S10-C	10-38	60
C148740	7-5	25	CCR-264 SS-3-3	App A	–
C23-805	10-4	29	CCR264-3-03	3-2	–
C23-805	10-4	29	CCR264-3-03	3-2	–
C23-806	10-4	30	CCR264-3-3	App A	–
C23-806	10-4	30	CCR264SS-3-02	5-2	490
C23-807	10-4	31	CCR264SS-3-02	5-2	530
C23-807	10-4	31	CCR-264-SS-3-2	4-5	–
C307PS	10-4	–	CCR-264-SS-3-2	4-5	–

ENSTROM TH-28/480 SERIES ILLUSTRATED PARTS CATALOG

PART NUMBER INDEX

Part Number	Figure	Item	Part Number	Figure	Item
CCR264SS-3-3	3-8	41	CR3213-4-02	10-19	–
CCR264SS-3-3	5-8	25	CR3213-4-02	3-11	6
CCR264SS-3-3	5-8	57	CR3213-4-02	5-5	22
CCR264SS-3-3	5-8	93	CR3213-4-02	5-6	28
CCR-264-SS-3-3	3-2	–	CR3213-4-02	6-3	–
CCR-264-SS-3-3	3-2	–	CR3213-4-02	9-4	15
CCR-264-SS-3-3	3-2	–	CR3213-4-02	App A	–
CCR-264-SS-3-3	3-2	–	CR3213-4-03	3-10	18
CCR-264-SS-3-3	3-2	19	CR3213-4-03	4-4	21
CCR-264-SS-3-3	3-2	27	CR3213-4-03	6-3	–
CCR274SS-3-02	3-20	–	CR3213-4-03	9-14	73
CCS38-S8-C0	10-4	34	CR3213-4-2	App A	–
CL42498	7-1	25	CR3213-4-4	3-6.2	10
CP25WB+	5-11	180	CR3213-5-02	9-4	17
CP25WB+	6-4	30	CR3213-5-03	5-2	720
CP8-TB	10-24.1	11	CR3213-5-03	9-1	29
CP8-TB	10-24.2	8	CR3213-5-04	9-4	–
CP8-TB	5-2	360	CR3213-6-03	App A	–
CR 17240	8-3	16	CR3213-6-3	4-2	26
CR 17240	App A	–	CR3213-6-3	App A	–
CR20526	App A	–	CR3214-4-02	5-3	–
CR2-M	10-24.1	–	CR3214-4-02	5-4	–
CR2-M	10-24.2	10	CR3523-6-05	9-1	7
CR2-M	10-25	4	CR3523-6-5	9-1	7
CR2-M	10-26	4	CR3523-6-5	9-1	7
CR2-M	10-36	13	CR3523-6-5	9-1	7
CR2-M	10-39	60	CR91484-4-()	3-3	20
CR3212-4-02	5-2	540	CRWI14809	7-1	2
CR3212-4-02	9-6	6	CRWI14809	App A	–
CR3212-4-02	9-7	6	CTJ122E25E	10-36	8
CR3212-4-02	App A	–	D110277	10-1	37
CR3212-4-03	4-4	21	D110278	10-1	34
CR3212-4-03	5-2	500	D1250	4-4	3
CR3212-4-03	5-2	510	DE110963-1	10-1	35
CR3212-4-03	5-2	550	DEU-9P	10-1	33
CR3212-4-2	App A	–	DEU-9S	10-1	36
CR3212-4-4	3-6.2	–	DT-370-MOMF-5	7-9	26

ENSTROM TH-28/480 SERIES ILLUSTRATED PARTS CATALOG

PART NUMBER INDEX

Part Number	Figure	Item	Part Number	Figure	Item
DU08	App A	–	ECD092-3	8-2	40
DU-08	App A	–	ECD093-11	11-5	100
E9000-10	6-1	14	ECD093-11	5-11	280
E9002-1	11-1	11	ECD093-11	5-8	–
E9002-2	11-1	12	ECD111-11	7-9	–
EA9309NA	3-10	–	ECD4000-11	7-3	33
EA9309NA	5-2	400	ECD4011-13	6-10	6
EA9359	5-11	300	ECD4014-11	7-1	5
EA9394	5-2	850	ECD4014-11	7-1.1	13
EC-776	5-2	840	ECD4015-11	7-1	23
ECD001-11	8-7	13	ECD4016-11	7-1	29
ECD001-13	8-7	13	ECD4017-11	7-2	7
ECD001-15	8-7	13	ECD4017-11	7-2	7
ECD002-13	8-7	15	ECD4019-1	3-14	–
ECD009-11	9-11	3	ECD4019-3	3-14	–
ECD013-11	9-12	8	ECD4019-5	3-14	–
ECD014-11	7-6	9	ECD4020-11	9-8	28
ECD014-11	7-6.1	8	ECD4024-1	7-4	24
ECD015-11	7-10	7	ECD4024-1	7-5	27
ECD016-11	9-15	9	ECD4025-1	7-10	14
ECD030-11	9-12	–	ECD4031-11	9-3	23
ECD030-11	9-15	–	ECD4031-13	9-3	23
ECD034-11	9-3	13	ECD4032-3	3-5	10
ECD050-11	3-12	8	ECD4032-7	3-6.2	70
ECD050-11	9-15	34	ECD4034-1	6-9	45
ECD050-11	9-15	36	ECD4034-3	6-9	44
ECD050-19	9-13	19	ECD4034-5	6-9	46
ECD066-1	9-3	3	ECD4034-7	6-9	43
ECD075-13	10-16	1	ECD4034-9	6-9	47
ECD075-13	10-18	9	ECD4035-1	10-1	11
ECD075-15	10-16	1	ECD4035-1	10-2	11
ECD075-15	10-18	9	ECD4035-1	10-3	11
ECD084-1	8-3	25	ECD4035-5	10-4	11
ECD091-1	8-5	20	ECD4036-150	5-3	5
ECD092-1	8-1	23	ECD4036-150	5-4	5
ECD092-1	8-1	36	ECD4037-11	5-1	13
ECD092-1	8-2	27	ECD4037-11	5-4	22

ENSTROM TH-28/480 SERIES ILLUSTRATED PARTS CATALOG

PART NUMBER INDEX

Part Number	Figure	Item	Part Number	Figure	Item
ECD4037-3	5-4	23	ECD4050-1	10-3	2
ECD4038-3	10-2	9	ECD4050-1	10-4	2
ECD4038-3	10-3	9	ECD4052-4	10-3	8
ECD4038-4	10-2	9	ECD4052-5	10-3	8
ECD4038-4	10-3	9	ECD4053-1	10-1	1
ECD4038-5	10-4	9	ECD4053-1	10-2	1
ECD4039-1	10-25	6	ECD4053-3	10-2	1
ECD4039-1	10-26	7	ECD4053-4	10-2	1
ECD4039-3	10-25	6	ECD4053-5	10-2	1
ECD4039-3	10-26	12	ECD4053-5	10-3	1
ECD4040-1	10-1	10	ECD4053-6	10-3	1
ECD4040-1	10-2	10	ECD4053-6	10-4	1
ECD4040-1	10-3	10	ECD4053-7	10-3	1
ECD4040-5	10-4	10	ECD4053-7	10-4	1
ECD4041-1	10-1	12	ECD4054-3	10-2	8
ECD4041-1	10-2	12	ECD4054-3	10-3	8
ECD4041-7	10-3	12	ECD4056-1	7-4	5
ECD4041-7	10-4	12	ECD4056-1	7-5	5
ECD4041-9	10-4	12	ECD4056-3	7-4	5
ECD4042-1	10-1	6	ECD4056-3	7-5	5
ECD4042-1	10-2	6	ECD4056-5	7-4	5
ECD4042-1	10-3	6	ECD4056-5	7-5	5
ECD4042-7	10-4	6	ECD4057-11	4-2	25
ECD4043-1	10-1	8	ECD4057-13	4-2	25
ECD4043-1	10-2	8	ECD4057-15	4-2	25
ECD4043-4	10-2	8	ECD4059-3	10-1	20
ECD4043-4	10-3	8	ECD4059-3	10-2	20
ECD4043-5	10-3	8	ECD4059-3	10-3	20
ECD4043-7	10-4	8	ECD4059-5	10-3	20
ECD4044-1	10-1	7	ECD4059-5	10-4	20
ECD4044-1	10-2	7	ECD4060-11	9-7.1	18
ECD4044-4	10-3	7	ECD4060-11	9-7.2	18
ECD4044-5	10-4	7	ECD4060-15	9-7.1	18
ECD4046-1	5-7	9	ECD4061-1	3-16	10
ECD4049-11	5-1	3	ECD4064-13	6-3	29
ECD4049-13	5-1	11	ECD4066-1	6-3	7
ECD4050-1	10-2	2	ECD4066-2	6-3	8

ENSTROM TH-28/480 SERIES ILLUSTRATED PARTS CATALOG

PART NUMBER INDEX

Part Number	Figure	Item	Part Number	Figure	Item
ECD4066-3	6-3	7	FLX200120003208	6-1	104
ECD4066-4	6-3	8	FN22M-624	7-7	4
ECD4069-1	7-9	1	FN22M-624	8-6	4
ECD4072-1	10-18	23	FN22M-624	App A	–
ECD4074-1	6-9	1	FN-22M-624	App A	–
ECD4074-5	6-9	1	G06DU	9-9	16
ECD4078-1	10-4	20	G08DU	6-6	6
ECD4078-X	10-4	20	G08DU	App A	–
ECD4079-1	10-18	38	G2-0032	9-1	36
ECD4079-1	10-23.1	10	G-641	10-14	1
ECD4080-11	6-1	91	GA4-250	3-2	–
ECD4089-11	10-35	–	GA4-250	3-2	–
ECD4089-11	3-21	230	GA4-250	3-2	–
ECD4089-15	10-35	–	GA4-250	3-2	–
ECD4089-15	3-21	260	GA4-250	3-2	–
ECD4089-23	3-18	–	GA4-250	3-2	–
ECD4089-23	3-18	–	GA4-250	6-11	22
ECD4092-1	5-1	29	GA4-250	6-12	24
ECD4093-1	10-4	27	GB-910	9-13	2
ECD4094-1	6-6	1	GCSG 501-2	App A	–
ELP30-28-03	11-6	220	GCSG501-2	10-18	1
ELP30-2803-281	11-6	220	GCSG501-2	App A	–
ELR07-2800WB-2	11-6	200	GEE62FR-C	10-19	–
ELR17-2800WB-2	11-6	200	GF-5500-88	5-3	21
ES49026-8	11-1	4	GF-5500-88	5-4	27
F12NE4717-054	9-15	21	Harper 1/4	3-6.1	100
F12NE-4753-02	9-14	28	HD6158510090030	App A	–
F12-NE-4753-048	9-13	7	HD6158-510-090-030	10-10	4
F12-NE-4753-054	9-13	17	HD6158-510-090-030	App A	–
F12NE-4753-080	8-6	8	HFLVV3M	6-8	9
F22NA1-02	10-12	2	HFLVV3M	7-3	15
F22NA1-02	10-13	11	HFLVV3M	App A	–
F22NA1-62	10-28	2	HFLVV-3M	App A	–
F22NA17A-02	11-2	18	HFVV3M	3-6	270
F22NKM62	3-4	50	HFVV3M	3-6	560
FIT-221V-1/8	6-9	58	HFVV3M	3-6	710
FIT-221V-3/32	10-36	–	HFVV3M	7-3	13

ENSTROM TH-28/480 SERIES ILLUSTRATED PARTS CATALOG

PART NUMBER INDEX

Part Number	Figure	Item	Part Number	Figure	Item
HFVV3M	App A	–	HMVV3M	App A	–
HFVV-3M	App A	–	HMVV-3M	App A	–
HGVV3M	App A	–	HMVV4M	6-8	17
HGVV-3M	App A	–	HMVV4M	9-14	4
HL18PB5-2	9-8	34	HMVV4M	9-14	9
HL18PB5-3	9-5	12	HMVV4M	9-2	20
HL18PB70-5-5	3-8	2	HMVV4M	9-5	2
HL70-5	9-5	13	HMVV4M	9-5	18
HL70-5	9-8	35	HMVV4M	App A	–
HM3M	6-7	1	HMVV-4M	App A	–
HM3M	6-7	10	HMVV5M	9-5	–
HM3M	App A	–	HMVV5M	App A	–
HM-3M	App A	–	HMVV-5M	App A	–
HML3M	6-7	5	HP-1003	7-9	23
HML3M	6-7	6	HPF1260-6-58	8-6	1
HML3M	App A	–	HS-99417	3-6	530
HML-3M	App A	–	HS-99417	3-6	650
HMLVV3M	6-6	16	HS-99417	3-6	780
HMLVV3M	6-7	5	HV79-13	5-8	12
HMLVV3M	6-7	6	ILT1.5IM	10-36	11
HMLVV3M	App A	–	ILT1M-M	10-36	10
HMLVV-3M	App A	–	ILT2S-M	10-24.1	–
HMLVV4M	9-14	7	ILT2S-M	10-24.2	–
HMLVV4M	9-14	12	ILT2S-M	10-36	12
HMLVV4M	9-2	22	IPT-20RT1-1000	App A	–
HMLVV4M	9-5	4	IPT-20RT1-1000-150G	10-20	2
HMLVV4M	9-5	20	IPT-20RT1-1000-150G	App A	–
HMLVV4M	App A	–	J-3459-8	9-3	7
HMLVV-4M	App A	–	JC-D4N-300L	6-7.1	7
HMLVV5M	9-5	–	JC-D4N-300L	6-7.3	10
HMLVV5M	App A	–	J-D4N-300M	10-16	–
HMLVV-5M	App A	–	JE-1	10-23	8
HMVV3M	6-6	5	JE-1	6-1	88
HMVV3M	6-6	18	K010-0406	7-8	39
HMVV3M	6-7	1	K010-0406	7-8.1	35
HMVV3M	6-7	10	K010406	6-9	9
HMVV3M	6-8	4	K10712	7-9	–

ENSTROM TH-28/480 SERIES ILLUSTRATED PARTS CATALOG

PART NUMBER INDEX

Part Number	Figure	Item	Part Number	Figure	Item
K1AN	App A	–	M1270	7-5	8
K1A-N	11-5	40	M12883/41-14	10-16	–
K1A-N	6-5	14	M25988/1-906	7-1	12
K203RA	7-9	25	M25988/1-906	7-1.1	170
K94RA	7-11	11	M39029/22-192	10-1	–
KA1-N	App A	–	M39029/22-192	10-2	–
KN500B1/8	10-1	30	M39029/22-192	10-3	–
KN500B1/8	10-2	30	M39029/22-192	10-4	–
KN500B1/8	10-7	11	M39029/22-192	10-4	–
KN500B1/8	10-8	11	M39029/22-192	10-4	–
KN500B1/8	10-9	12	M39029/22-192	10-4	–
KN500B1/8	10-9	12	M39029/89-498	10-26	–
KN500B1/8	App A	–	M39029/89-501	10-26	–
KN500B-1/8	App A	–	M39029/92-536	6-7.3	30
KN700B1/4	11-6	210	M45913/2-4CG5C	3-5	20
KUP-5D55-24	10-18	33	M45913/2-4CG5C	3-6.2	50
KXD-X9N	10-18	15	M5594/1-3	10-1	25
L-14X	8-4	–	M81934/1-08C012	9-12	30
L-18X	8-3	6	M83248/1-008	7-11	12
L58D-G24-W	10-4	25	M83248/1-011	7-8	–
L58D-Y24-W	10-3	23	M83248/1-011	7-9	–
L58D-Y24-W	10-4	25	M83248/1032	App A	–
L-7X	8-4	–	M83248/1-032	8-2	45
LCB	10-24.1	–	M83248/1-032	App A	–
LCB	10-36	–	M83248/1-138	6-9	36
LDF-5-157	9-2	61	M83248/1-911	7-8	16
LDF-5-157	9-5	28	M83248/1-911	7-8.1	13
LED-41-11-HE-39062	10-4	19	M83536/10-024M	10-16	–
LHMS-S5-D	10-27	17	M83536/2-024L	10-18	33
LHMS-S5-D	10-36	16	M83536/33-003L	10-18	34
LHSSE-5	9-12	–	MAC-VR	10-18	11
LR3-40-17-HE-81041	10-4	18	MB542DD	9-1	3
LR3-40-17-HE-81042	10-4	17	MB542DD	9-1	3
LR3-40-17-HE-81043	10-4	16	MB542DD	9-1	3
LW12878-4S-260	5-5	29	MCI-06-01	3-17	32
LW12878-4S-260	5-6	35	MM-46-70	7-9	–
LWB-22-6-58	8-6	1	MOBIL 1 75-90	App A	–

ENSTROM TH-28/480 SERIES ILLUSTRATED PARTS CATALOG

PART NUMBER INDEX

Part Number	Figure	Item	Part Number	Figure	Item
MOBIL 1 75W-90	App A	–	MS17826-4	9-8	24
MOBIL 1 LS 75W-90	App A	–	MS17826-5	9-5	25
MS1042-08	6-4	7	MS17826-6	9-1	34
MS1083N08	7-3	29	MS17987C409	9-14	59
MS14101-6	9-1	12	MS18066-25	3-6	90
MS14103-4	9-12	–	MS18066-69	6-7	21
MS14104-6	9-1	12	MS18066-69	6-7.2	18
MS15001-1	8-1	28	MS18066-8	3-6	300
MS16555-27	8-3	17	MS20002C4	7-3	10
MS16562-196	6-7.2	14	MS20002C4	App A	–
MS16562-211	9-3	–	MS20002-C4	App A	–
MS16562-213	9-3	40	MS20002C6	3-1	120
MS16562-215	8-4	2	MS20002C6	3-1	200
MS16562-218	3-19	5	MS20002-C6	3-7	3
MS16562-222	5-8	50	MS20073-0304	App A	–
MS16562-232	5-8	44	MS20073-03-04	App A	–
MS16562-232	5-8	85	MS20074-03-04	9-10	15
MS16998-10L	9-4	–	MS20074-05-06	8-3	53
MS16998-46	3-8	13	MS20074-05-12	8-3	54
MS171527	3-17	20	MS20074-05-16	8-3	51
MS171531	3-17	18	MS20074-05-17	8-3	50
MS171531	3-17	35	MS20074-05-23	8-3	48
MS171535	3-17	5	MS20253-P2	3-13	–
MS17825-4	9-13	7	MS20253-P2	3-13	–
MS17825-4	9-15	32	MS20253-P2	3-13	–
MS17825-5	9-13	17	MS20253-P2	3-13	–
MS17826-3	6-6	11	MS20253-P2	3-2	32
MS17826-3	6-7	14	MS20364-1032A	9-9	7
MS17826-3	6-7	19	MS20364-428	3-16	17
MS17826-3	6-8	7	MS20392-1C11	6-7.2	4
MS17826-3	9-6	37	MS20392-1C9	6-7.2	4
MS17826-3	9-7.1	30	MS20392-2C17	3-6.1	80
MS17826-4	6-8	21	MS20392-2C31	6-1	84
MS17826-4	9-10	5	MS20426A3-3	6-3	–
MS17826-4	9-14	17	MS20426A3-3	6-3	–
MS17826-4	9-2	5	MS20426A3-3	6-3	–
MS17826-4	9-5	9	MS20426A3-3	6-3	–

ENSTROM TH-28/480 SERIES ILLUSTRATED PARTS CATALOG

PART NUMBER INDEX

Part Number	Figure	Item	Part Number	Figure	Item
MS20426A3-3	6-3	–	MS20426AD3-4	3-2	–
MS20426A3-3	6-11	14	MS20426AD3-4	3-8	24
MS20426A3-3	6-12	15	MS20426AD3-5	3-8	18
MS20426A3-4	3-13	–	MS20426AD3-5	3-9	14
MS20426A3-4	3-13	–	MS20426AD3-5	6-11	19
MS20426A3-4	3-13	–	MS20426AD3-5	6-12	21
MS20426A3-5	10-29	240	MS20426AD3-5	9-14	32
MS20426A5-4	3-19	3	MS20426AD3-6	10-28	4
MS20426AD3-2	6-9	28	MS20426AD3-6	3-13	34
MS20426AD3-3	10-12	3	MS20426AD3-7	3-13	32
MS20426AD3-3	10-12	8	MS20426AD4-4	11-4	17
MS20426AD3-3	10-13	3	MS20426AD4-4	3-2	–
MS20426AD3-3	10-18	–	MS20426AD4-4	3-2	–
MS20426AD3-3	10-18	5	MS20426AD4-8	3-6.2	40
MS20426AD3-3	10-28	3	MS20427M3-3E	6-1.1	–
MS20426AD3-3	11-2	19	MS20427M3-3E	6-1.1	–
MS20426AD3-3	3-13	25	MS20427M3-3E	6-1.1	–
MS20426AD3-3	3-2	–	MS20427M3-3E	6-1.1	–
MS20426AD3-3	3-2	–	MS20427M3-3E	6-1.1	–
MS20426AD3-3	3-2	–	MS20470A3-3	3-2	–
MS20426AD3-3	3-2	–	MS20470A3-3	6-1.1	120
MS20426AD3-3	5-8	3	MS20470A3-3	6-1.1	320
MS20426AD3-3	5-8	29	MS20470A3-4	10-29	190
MS20426AD3-3	5-8	70	MS20470A3-4	3-2	–
MS20426AD3-3	6-12	–	MS20470A3-4	3-2	–
MS20426AD3-3	6-2	6	MS20470A3-4	6-2	6
MS20426AD3-3.5	6-12	–	MS20470AD3-3	3-13	–
MS20426AD3-4	10-28	3	MS20470AD3-3	3-13	–
MS20426AD3-4	10-29	70	MS20470AD3-3	3-13	17
MS20426AD3-4	10-29	250	MS20470AD4-3	11-2	3
MS20426AD3-4	11-5	150	MS20470AD4-3	3-19	12
MS20426AD3-4	3-19	8	MS20470AD4-3	3-2	–
MS20426AD3-4	3-2	–	MS20470AD4-3	3-5	40
MS20426AD3-4	3-2	–	MS20470AD4-4	11-2	3
MS20426AD3-4	3-2	–	MS20470AD4-4	3-2	–
MS20426AD3-4	3-2	–	MS20470AD4-4	3-2	–
MS20426AD3-4	3-2	–	MS20470AD4-4	3-2	–

ENSTROM TH-28/480 SERIES ILLUSTRATED PARTS CATALOG

PART NUMBER INDEX

Part Number	Figure	Item	Part Number	Figure	Item
MS20470AD4-4	3-6.1	340	MS20995C32	6-9	57
MS20470AD4-4	5-2	600	MS20995C32	7-10	–
MS20470AD4-6	3-19	6	MS20995C32	7-8	–
MS20470AD5-4	9-14	66	MS20995C32	7-8.1	–
MS20470AD5-7	3-8	2	MS20995C32	7-9	–
MS20500-428	3-12	9	MS20995-C32	App A	–
MS20500-524	6-1	57	MS20995C41	7-6	–
MS20500-524	6-1	95	MS20995C41	7-6.1	–
MS20604AD4W()	3-3	20	MS20995C41	7-10	–
MS20615-3M4	10-28	13	MS21042-08	10-24.1	5
MS20615-3M4	10-29	210	MS21042-08	3-3	18
MS20813-1	4-4	–	MS21042-08	5-12	260
MS20819-4D	10-33	–	MS21042-08	5-12	310
MS20819-4D	6-3	62	MS21042-08	5-5	18
MS20822-4D	5-8	9	MS21042-08	5-5	51
MS20822-4D	6-3	57	MS21042-08	6-1	82
MS20822-4D	7-9	28	MS21042-08	6-1	109
MS20822-4J	7-9	11	MS21042-08	6-3	32
MS20822-6D	7-8	10	MS21042-3	10-22	15
MS20822-6D	7-8.1	7	MS21042-3	11-1	31
MS20823-4D	5-8	51	MS21042-3	3-14	–
MS20823-4D	5-8	89	MS21042-3	3-6.1	220
MS20913-1	5-12	210	MS21042-3	3-6.1	250
MS20995C20	5-8	–	MS21042-3	6-1	35
MS20995C25	5-1	–	MS21042-3	6-1.1	440
MS20995C25	5-1	–	MS21042-3	6-13	10
MS20995C25	5-12	170	MS21042-3	6-14	5
MS20995C25	9-12	–	MS21042-3	6-3	27
MS20995C25	9-2	–	MS21042-3	9-1	22
MS20995-C25	6-7.1	6	MS21042-3	9-10	9
MS20995-C25	7-1.1	–	MS21042-3	9-2	44
MS20995C32	11-2	–	MS21042-3	9-2	54
MS20995C32	11-2	–	MS21042-3	9-4	9
MS20995C32	3-1	100	MS21042-3	9-4	22
MS20995C32	3-1	180	MS21042-3	9-8	4
MS20995C32	3-7	11	MS21042-4	10-24.1	18
MS20995C32	5-7	–	MS21042-4	3-12	5

ENSTROM TH-28/480 SERIES ILLUSTRATED PARTS CATALOG

PART NUMBER INDEX

Part Number	Figure	Item	Part Number	Figure	Item
MS21042-4	7-1	18	MS21080-06	3-8	23
MS21042-4	9-8	11	MS21080-08	11-2	18
MS21042-6	3-1	230	MS21080-08K	3-2	–
MS21042-6	3-1	380	MS21080-08K	3-2	–
MS21042-6	4-1	18	MS21080-3	10-13	12
MS21043-3	7-1.1	120	MS21080-3	3-9	13
MS21043-4	10-18	–	MS21081-3	3-8	17
MS21043-4	6-1	19	MS21083N3	3-12	15
MS21044N06	10-4	–	MS21083N3	3-17	12
MS21044N08	9-14	62	MS21083N3	3-18	47
MS21044N3	3-10	9	MS21083N3	6-1	79
MS21044N3	3-9	11	MS21083N3	7-9	6
MS21044N3	4-6	14	MS21083N3	8-3	–
MS21044N3	5-12	50	MS21083N5	7-5	31
MS21044N3	6-10	12	MS21083N4	3-10	13
MS21044N3	7-3	22	MS21083N4	3-18	26
MS21044N4	3-9	4	MS21083N6	3-17	24
MS21044N4	4-2	10	MS21083N6	4-2	21
MS21044N5	4-2	14	MS21240-08C12	9-12	30
MS21044N5	4-3	8	MS21240-08C12	App A	–
MS21044N5	7-4	28	MS21240-08C-12	App A	–
MS21044N5	7-5	31	MS21250-06-048	7-7	1
MS21044N5	7-6	5	MS21251-B3L	9-14	33
MS21044N5	7-6	5	MS21251-B3S	9-14	33
MS21044N5	7-6	5	MS21255-3LS	9-14	35
MS21044N5	7-6.1	5	MS21255-3RS	9-14	34
MS21044N5	8-1	16	MS21256-1	9-14	36
MS21044N5	8-2	16	MS21256-2	9-14	36
MS21044N6	4-3	4	MS21299C6	8-6	2
MS21044N6	7-6	22	MS21428-42	9-1	3
MS21044N6	7-6.1	21	MS21428-42	9-1	3
MS21059-08	5-8	69	MS21428-44	9-4	12
MS21061L3	6-3	44	MS21571-2S	10-17	17
MS21075L4	9-14	31	MS21919F14	5-9	13
MS21078-06	3-8	23	MS21919F4	5-11	120
MS21078-3	3-13	24	MS21919WCJ12	5-5	54
MS21078-3	3-2	–	MS21919WCJ14	10-22	4

ENSTROM TH-28/480 SERIES ILLUSTRATED PARTS CATALOG

PART NUMBER INDEX

Part Number	Figure	Item	Part Number	Figure	Item
MS21919WCJ14	5-5	14	MS21919WF18	6-9	48
MS21919WCJ14	6-3	53	MS21919WF-18	5-12	290
MS21919WCJ16	10-22	5	MS21919WF4	11-1	28
MS21919WCJ16	5-5	15	MS21919WF4	5-10	6
MS21919WCJ18	5-5	20	MS21919WF4	5-5	39
MS21919WCJ4	5-11	120	MS21919WF4	5-6	32
MS21919WCJ4	6-3	52	MS21919WF8	10-20	3
MS21919WCJ8	5-5	26	MS21919WF8	10-22	10
MS21919WCJ8	5-5	47	MS21919WF8	10-24	3
MS21919WCJ8	9-2	46	MS21919WF8	10-24.1	14
MS21919WCJ8	9-2	56	MS21919WF8	11-1	22
MS21919WDF14	5-6	14	MS21919WF8	9-2	46
MS21919WDG14	6-4	27	MS21919WF8	9-2	56
MS21919WDG16	6-4	26	MS21919WFA	11-5	310
MS21919WDG3	6-4	20	MS2191WCJ8	6-1	106
MS21919WDG3	7-1.1	90	MS24523-21	10-1	26
MS21919WDG6	6-4	28	MS24524-31	10-9	1
MS21919WF10	5-5	30	MS24524-31	10-9	1
MS21919WF10	5-6	36	MS24525-31	10-1	21
MS21919WF12	10-22	10	MS24525-31	10-2	21
MS21919WF12	10-24.1	2	MS24525-31	10-3	21
MS21919WF12	11-1	15	MS24525-31	10-4	21
MS21919WF-12	5-12	230	MS24566-2B	9-14	39
MS21919WF14	10-22	10	MS24665-1010	6-7.2	6
MS21919WF14	10-24	2	MS24665-1013	6-3	65
MS21919WF14	5-6	20	MS24665-1013	9-13	8
MS21919WF14	6-9	49	MS24665-1013	9-15	33
MS21919WF16	10-20	4	MS24665-105	6-8	8
MS21919WF16	10-22	10	MS24665-151	10-33	4
MS21919WF16	10-24	8	MS24665-151	11-5	200
MS21919WF16	10-24.1	3	MS24665-151	3-2	-
MS21919WF16	11-1	16	MS24665-151	5-9	7
MS21919WF16	5-5	15	MS24665-151	6-1	86
MS21919WF16	5-6	21	MS24665-151	9-13	27
MS21919WF16	6-1	27	MS24665-151	9-15	22
MS21919WF-16	5-12	280	MS24665-151	9-8	25
MS21919WF18	5-6	26	MS24665-153	5-9	7

ENSTROM TH-28/480 SERIES ILLUSTRATED PARTS CATALOG

PART NUMBER INDEX

Part Number	Figure	Item	Part Number	Figure	Item
MS24665-153	6-6	12	MS24693-BB52	10-3	–
MS24665-153	6-7	15	MS24693-BB52	10-3	–
MS24665-153	6-7	20	MS24693-BB52	10-3	–
MS24665-153	9-11	10	MS24693-BB52	10-3	–
MS24665-153	9-2	6	MS24693-BB52	10-3	–
MS24665-153	9-5	10	MS24693-BB52	10-3	–
MS24665-153	9-6	38	MS24693-BB52	10-3	–
MS24665-153	9-7.1	31	MS24693-BB52	10-3	–
MS24665-302	5-8	61	MS24693-BB52	10-3	–
MS24665-323	9-14	54	MS24693-BB52	10-3	–
MS24665-357	9-14	67	MS24693-BB52	10-4	–
MS24665-389	9-14	67	MS24693-BB52	10-4	–
MS24665-88	6-8	8	MS24693-BB52	10-4	–
MS24677-49	8-3	53	MS24693-BB52	10-4	–
MS24677-52	8-3	49	MS24693-BB52	10-4	–
MS24677-52	8-3	54	MS24693-BB52	10-4	–
MS246935287FLTH	8-3	–	MS24693-BB52	10-4	–
MS24693BB52	App A	–	MS24693-BB52	10-4	–
MS24693-BB52	10-1	–	MS24693-BB52	App A	–
MS24693-BB52	10-1	–	MS24693S24	App A	–
MS24693-BB52	10-1	–	MS24693-S24	10-36	2
MS24693-BB52	10-1	–	MS24693-S24	10-37	20
MS24693-BB52	10-1	–	MS24693-S24	10-4	24
MS24693-BB52	10-1	–	MS24693-S24	App A	–
MS24693-BB52	10-2	–	MS24693S275	App A	–
MS24693-BB52	10-2	–	MS24693-S275	10-17	31
MS24693-BB52	10-2	–	MS24693-S275	App A	–
MS24693-BB52	10-2	–	MS24693-S287	8-3	–
MS24693-BB52	10-2	–	MS24693-S294	5-1	9A
MS24693-BB52	10-2	–	MS24693-S50	9-7.1	8
MS24693-BB52	10-2	–	MS24693-S50	9-7.1	10
MS24693-BB52	10-2	–	MS24693-S50	9-7.2	8
MS24693-BB52	10-2	–	MS24693-S50	9-7.2	10
MS24693-BB52	10-2	–	MS24694-47	3-6	490
MS24693-BB52	10-2	–	MS24694-51	3-21	–
MS24693-BB52	10-2	–	MS24694-51	3-6	250
MS24693-BB52	10-3	–	MS24694-51	3-6	440

ENSTROM TH-28/480 SERIES ILLUSTRATED PARTS CATALOG

PART NUMBER INDEX

Part Number	Figure	Item	Part Number	Figure	Item
MS24694-51	3-6	520	MS26574-2	10-16	18
MS24694-51	3-6	900	MS26574-2	10-16	18
MS24694-S301	5-2	290	MS26574-2	10-5	1
MS24694S51	App A	–	MS26574-2	10-6	1
MS24694-S51	3-15	11	MS26574-3	10-5	2
MS24694-S51	App A	–	MS26574-3	10-6	2
MS24694S54	App A	–	MS26574-5	10-16	19
MS24694-S54	10-12	10	MS26574-5	10-5	3
MS24694-S54	10-13	14	MS26574-5	10-6	3
MS24694-S54	App A	–	MS27039-0806	10-18	39
MS24694S55	App A	–	MS27039-0806	10-23.1	20
MS24694-S55	10-16	5	MS27039-0806	6-2	8
MS24694-S55	App A	–	MS27039-0807	6-2	3
MS24694S56	App A	–	MS27039-0808	3-2	22
MS24694-S56	10-16	15	MS27039-1-07	10-17	24
MS24694-S56	5-2	90	MS27039-1-07	6-2	8
MS24694-S56	App A	–	MS27039-1-08	10-17	2
MS24694S58	App A	–	MS27039-1-08	11-6	20
MS24694-S58	3-15	10	MS27039-1-08	3-2	–
MS24694-S58	5-2	755	MS27039-1-08	3-2	24
MS24694-S58	10-13	14	MS27039-1-08	3-21	–
MS24694-S58	App A	–	MS27039-1-08	3-6.1	200
MS24694S94	App A	–	MS27039-1-08	5-11	260
MS24694-S94	5-1	9	MS27039-1-08	5-8	22
MS24694-S94	App A	–	MS27039-1-08	5-8	54
MS24694S95	App A	–	MS27039-1-08	5-8	90
MS24694-S95	5-4	21	MS27039-1-08	6-11	6
MS24694-S95	App A	–	MS27039-1-08	6-12	6
MS25182-2	10-12	21	MS27039-1-09	10-16	13
MS25182-2	10-13	31	MS27039-1-09	10-16	21
MS25182-2	10-15	4	MS27039-1-09	10-33	14
MS25226-6-4	10-18	–	MS27039-1-09	3-17	13
MS26574-1	10-16	18	MS27039-1-09	3-6.1	270
MS26574-1	10-16	19	MS27039-1-09	5-2	780
MS26574-10	10-2	28	MS27039-1-09	5-2	810
MS26574-10	10-5	4	MS27039-1-11	10-16	2
MS26574-10	10-6	4	MS27039-1-11	10-16	9

ENSTROM TH-28/480 SERIES ILLUSTRATED PARTS CATALOG

PART NUMBER INDEX

Part Number	Figure	Item	Part Number	Figure	Item
MS27039-1-11	10-17	10	MS27506B16-2	10-4	—
MS27039-1-11	10-18	24	MS27506B16-2	10-4	—
MS27039-1-11	3-12	12	MS27506B16-2	10-4	—
MS27039-1-11	3-17	14	MS27641-6	9-1	12
MS27039-1-11	5-2	690	MS27641-6	9-1	12
MS27039-1-14	6-11	8	MS27641-6	9-1	12
MS27039-1-14	6-12	8	MS27718-22-1	9-6	27
MS27039-1-16	3-15	7	MS27718-22-1	9-7.1	12
MS27039-1-16	5-2	750	MS27718-22-1	9-7.2	12
MS27039-1-17	3-14	—	MS28034-3	6-9	7
MS27212-3-4	10-18	—	MS28042-1A	10-1	—
MS27473E14B15S	10-4	—	MS28042-1A	10-1	—
MS27473E14B15SB	10-4	—	MS28042-1A	10-1	—
MS27473E14B18S	10-26	—	MS28042-1A	10-1	—
MS27473E14B18SA	10-4	—	MS28042-1A	10-1	—
MS27473E16B99S	10-4	—	MS28042-1A	10-1	—
MS27473E16B99SA	10-4	—	MS28042-1A	10-2	—
MS27473E16B99SB	10-4	—	MS28042-1A	10-2	—
MS27473E16B99SC	10-4	—	MS28042-1A	10-2	—
MS27488-16	10-4	—	MS28042-1A	10-2	—
MS27488-16	10-4	—	MS28042-1A	10-2	—
MS27488-16	10-4	—	MS28042-1A	10-2	—
MS27488-16	10-4	—	MS28042-1A	10-2	—
MS27488-16	10-4	—	MS28042-1A	10-2	—
MS27488-20	10-26	—	MS28042-1A	10-2	—
MS27488-20	10-4	—	MS28042-1A	10-26	—
MS27488-20	10-4	—	MS28042-1A	10-3	—
MS27488-20	10-4	—	MS28042-1A	10-3	—
MS27488-20	10-4	—	MS28042-1A	10-3	—
MS27488-20	10-4	—	MS28042-1A	10-3	—
MS27488-20	10-4	—	MS28042-1A	10-3	—
MS27488-20	10-4	—	MS28042-1A	10-3	—
MS27488-20	10-4	—	MS28042-1A	10-3	—
MS27506B14-2	10-26	—	MS28042-1A	10-3	—
MS27506B14-2	10-4	—	MS28042-1A	10-3	—
MS27506B14-2	10-4	—	MS28042-1A	10-4	—
MS27506B14-2	10-4	—	MS28042-1A	10-4	—
MS27506B16-2	10-4	—	MS28042-1A	10-4	—

ENSTROM TH-28/480 SERIES ILLUSTRATED PARTS CATALOG

PART NUMBER INDEX

Part Number	Figure	Item	Part Number	Figure	Item
MS28042-1A	10-4	–	MS28778-4	6-9	8
MS28042-1A	10-4	–	MS28778-4	6-9	25
MS28042-1A	10-4	–	MS28778-4	7-8	23
MS28042-1A	10-4	–	MS28778-4	7-8	33
MS28042-2A	10-2	–	MS28778-4	7-8.1	20
MS28042-2A	10-2	–	MS28778-4	7-8.1	30
MS28042-2A	10-2	–	MS28778-4	7-9	13
MS28042-2A	10-3	–	MS28778-6	6-4	–
MS28042-2A	10-3	–	MS28778-6	6-9	14
MS28042-2A	10-3	–	MS28778-6	7-9	27
MS28042-2A	10-4	–	MS28778-8	6-1	2
MS28775-008	7-11	12	MS28778-8	6-1	4
MS28775-013	7-9	–	MS28778-8	6-1	12
MS28775-014	5-8	20	MS28778-8	6-9	12
MS28775-015	4-4	30	MS28778-8	6-9	18
MS28775-018	7-11	4	MS28778-8	7-8	16
MS28775-020	5-8	10	MS28778-8	7-8.1	13
MS28775-024	8-2	21	MS28778-8	7-9	–
MS28775-029	7-9	21	MS28889-2	4-4	29
MS28775-111	9-15	37	MS29512-04	5-12	–
MS28775-113	5-8	11	MS29512-4	6-1	26
MS28775-113	7-11	8	MS29513-010	5-8	53
MS28775-131	4-4	15	MS29513-012	5-7	2
MS28775-218	4-4	5	MS29513-017	5-7	8
MS28775-233	5-1	32	MS29513-020	5-8	35
MS28778-10	6-1	6	MS29513-020	5-8	76
MS28778-10	6-9	20	MS29513-110	5-7	2
MS28778-10	7-8	–	MS29513-116	5-7	6
MS28778-10	7-8.1	–	MS29561-226	6-9	–
MS28778-12	5-12	340	MS29561-232	5-1	–
MS28778-12	5-7	13	MS3106F12-10S	10-1	–
MS28778-12	6-1	44	MS3106F12-10S	10-2	–
MS28778-12	6-9	16	MS3106F12-10S	10-3	–
MS28778-12	6-9	22	MS3106F12-10S	10-3	–
MS28778-2	7-11	6	MS3106F12-10SW	10-1	–
MS28778-3	7-11	2	MS3106F12-10SW	10-2	–
MS28778-3	7-8	33	MS3106F12-10SW	10-3	–

ENSTROM TH-28/480 SERIES ILLUSTRATED PARTS CATALOG

PART NUMBER INDEX

Part Number	Figure	Item	Part Number	Figure	Item
MS3115-10A	10-12	7	MS35206-228	11-6	150
MS3115-10A	10-13	4	MS35206-244	10-30	2
MS3116F8-33S	10-27	16	MS35206-244	5-5	48
MS3126F10-6S	10-12	23	MS35206-244	9-7.1	23
MS3126F10-6S	10-13	33	MS35206-244	9-7.2	23
MS3126F10-6S	10-15	3	MS35206-245	3-2	–
MS3126F10-6S	10-2	–	MS35206-245	3-2	–
MS3126F10-6S	10-2	–	MS35206-245	3-2	–
MS3126F10-6S	10-3	–	MS35206-245	5-11	200
MS3126F12-10S	10-1	–	MS35206-245	5-8	88
MS3126F12-10S	10-18	40	MS35206-245	6-1	81
MS3126F12-10S	10-2	–	MS35206-245	6-1	108
MS3126F12-10S	10-2	–	MS35206-245	6-12	9
MS3126F12-10S	10-2	–	MS35206-245	6-3	54
MS3126F12-10S	10-2	–	MS35206-246	10-24.1	4
MS3126F12-10S	10-3	–	MS35206-246	3-2	–
MS3126F12-10S	10-3	–	MS35206-246	5-11	30
MS3126F12-10S	10-4	–	MS35206-246	5-12	250
MS3126F14-15S	10-25	9	MS35206-246	5-5	16
MS3126F14-15S	10-26	10	MS35206-246	5-5	52
MS33737-16C	10-3	–	MS35206-247	5-12	300
MS33737-16C	10-3	–	MS35206-248	7-3	27
MS33737-16C	10-4	–	MS35206-321	10-23	11
MS33737-16C	10-4	–	MS35206-325	6-8	15
MS3417-14C	10-22	3	MS35207-225	10-33	17
MS3420-4	5-12	180	MS35207-245	6-1	63
MS3456KT14S-5S	10-22	2	MS35207-263	10-19	3
MS3476L20-16S	10-18	–	MS35207-263	10-23	5
MS35206-203	11-4	3	MS35207-263	10-25	8
MS35206-211	9-3	–	MS35207-263	10-26	9
MS35206-225	9-6	18	MS35207-263	6-12	6
MS35206-225	9-6	32	MS35207-265	5-4	28
MS35206-225	9-7	18	MS35214-15	9-7.1	19
MS35206-225	9-7	26	MS35214-15	9-7.2	19
MS35206-225	9-7.1	24	MS35214-15	10-4	–
MS35206-225	9-7.2	24	MS35214-40	10-4	40
MS35206-227	10-4	–	MS35214-41	10-4	36

ENSTROM TH-28/480 SERIES ILLUSTRATED PARTS CATALOG

PART NUMBER INDEX

Part Number	Figure	Item	Part Number	Figure	Item
MS35214-44	10-26	14	MS35215-58	10-4	–
MS35215-58	10-1	–	MS35215-58	10-4	–
MS35215-58	10-1	–	MS35265-15	7-9	–
MS35215-58	10-1	–	MS35333-40	10-33	–
MS35215-58	10-1	–	MS35333-40	10-38	50
MS35215-58	10-1	–	MS35333-40	5-5	53
MS35215-58	10-1	–	MS35333-42	3-6.2	–
MS35215-58	10-2	–	MS35333-44	5-9	9
MS35215-58	10-2	–	MS35333-75	6-4	11
MS35215-58	10-2	–	MS35338-136	10-33	–
MS35215-58	10-2	–	MS35338-139	10-17	7
MS35215-58	10-2	–	MS35338-244	5-5	50
MS35215-58	10-2	–	MS35338-41	10-24.1	10
MS35215-58	10-2	–	MS35338-42	10-38	90
MS35215-58	10-2	–	MS35338-42	5-11	40
MS35215-58	10-2	–	MS35338-42	5-11	90
MS35215-58	10-2	–	MS35338-42	5-11	140
MS35215-58	10-2	–	MS35338-42	6-1	74
MS35215-58	10-2	–	MS35338-99	10-4	38
MS35215-58	10-26	13	MS35489-10	3-2	–
MS35215-58	10-3	–	MS35489-10	3-2	–
MS35215-58	10-3	–	MS35489-10	3-2	–
MS35215-58	10-3	–	MS35489-10	5-12	140
MS35215-58	10-3	–	MS35489-14	3-2	–
MS35215-58	10-3	–	MS35489-14	3-2	–
MS35215-58	10-3	–	MS35489-14	5-5	11
MS35215-58	10-3	–	MS35489-14	5-5	36
MS35215-58	10-3	–	MS35489-14	5-6	17
MS35215-58	10-3	–	MS35489-14	7-7	7
MS35215-58	10-3	–	MS35489-15	7-7	6
MS35215-58	10-3	–	MS35489-17	3-2	–
MS35215-58	10-4	–	MS35489-17	3-2	–
MS35215-58	10-4	–	MS35489-20	3-2	–
MS35215-58	10-4	–	MS35489-20	3-8	35
MS35215-58	10-4	–	MS35489-20	5-5	37
MS35215-58	10-4	–	MS35489-20	5-6	43
MS35215-58	10-4	–	MS35489-4	10-24.2	7

ENSTROM TH-28/480 SERIES ILLUSTRATED PARTS CATALOG

PART NUMBER INDEX

Part Number	Figure	Item	Part Number	Figure	Item
MS35489-6	10-21	3	MS51957-26	11-6	–
MS35489-7	5-6	42	MS51957-26	11-6	–
MS35489-7	7-7	7	MS51958-26	10-33	17
MS35490-1	10-4	42	MS5198-26	10-33	14
MS35649-2314	6-4	12	MS9101-03	6-1	28
MS35649-262	10-24.1	8	MS9135-01	6-1	55
MS35649-282	10-24.1	5	MS995C32	App A	–
MS35649-282	10-38	100	MTP5S-E6-C	5-12	240
MS35649-282	5-11	60	MTP-J-F	10-25	–
MS35649-282	5-11	110	MTP-J-F	10-25	–
MS35649-282	5-11	160	MTP-J-F	10-26	–
MS35649-282	6-1	82	MTP-J-F	10-26	–
MS35649-282	9-12	39	MTP-J-M	10-25	10
MS35649-286	10-4	39	MTP-J-M	10-26	11
MS35769-11	7-8	4	N5000-175-PP	7-11	20
MS35769-11	7-9	24	N5000-187-S-PP	7-10	8
MS35769-6	7-8	6	N5000-187-S-PP	7-2	8
MS35769-6	7-8.1	3	N5000-187-S-PP	7-2	8
MS35769-9	7-11	10	N5000-206-PP	7-11	15
MS35842-13	7-9	–	N5000-62-PP	9-3	6
MS51521B8S	11-1	5	N5000-87-PP	9-3	14
MS51521B8S	6-1	–	N5002-100	8-7	10
MS51525-6-4	7-9	11	N5002-125-PP	9-11	4
MS51525B3S	7-1.1	220	N5002-268-PP	9-15	10
MS51525B4S	7-8	24	N5002-354-S-PP	7-6	13
MS51525B4S	7-8.1	21	N5002-354-S-PP	7-6.1	12
MS51525B4S	7-9	16	N500-268-S-PP	7-1	30
MS51527A65	6-4	38	N5100-118	6-10	7
MS51527A6S	6-4	1	N5100-137-S-PP	7-1	7
MS51527A-6S	6-3	10	N5100-137-S-PP	7-1.1	18
MS51527B3S	7-1.1	240	N5100-78-S-PP	7-1	21
MS51527B4S	7-9	16	N5100-98-S-PP	7-2	9
MS51922-1	3-5	20	N5100-98-S-PP	7-2	9
MS51922-1	3-6.2	50	N5108-56-PP	9-3	20
MS51957-26	10-36	5	NAJ1-02BC	3-13	24
MS51957-26	10-37	40	NAJ1-02BC	3-2	–
MS51957-26	11-6	–	NAJ1-62	3-8	23

ENSTROM TH-28/480 SERIES ILLUSTRATED PARTS CATALOG

PART NUMBER INDEX

Part Number	Figure	Item	Part Number	Figure	Item
NAJ1-82	5-8	2	NAS1149C0432R	3-18	34
NAJ1-82	5-8	28	NAS1149C0432R	6-8	20
NAJ1-82	5-8	69	NAS1149C0432R	7-1	17
NAJ1-82	6-12	–	NAS1149C0432R	9-15	36
NAJ1-82-BC	10-28	17	NAS1149C0463R	5-1	–
NAS 6203-17H	9-10	7	NAS1149C0463R	9-15	36
NAS1024N08K	4-5	–	NAS1149C0463R	9-15	40
NAS1024N08K	4-5	–	NAS1149C0563R	7-5	29
NAS1033A3	10-13	5	NAS1149C0632R	3-17	27
NAS1068A3	10-18	4	NAS1149C0632R	3-17	33
NAS1068A3	3-2	–	NAS1149D0316H	3-9	10A
NAS1068A3	3-2	–	NAS1149D0316H	6-8	18
NAS1068A3	3-2	26	NAS1149D0316J	3-17	9
NAS1068A3	5-2	480	NAS1149D0316J	3-8	22
NAS1068A3	5-2	520	NAS1149D0363H	11-2	16
NAS1068A3	6-3	43	NAS1149D0363H	11-2	31
NAS1068A3	6-3	48	NAS1149D0363H	6-8	18
NAS1068-A3	5-8	24	NAS1149D0363J	6-1.1	415
NAS1068-A3	5-8	56	NAS1149D0363J	7-3	3
NAS1068-A3	5-8	92	NAS1149D0416H	5-1	5
NAS1068-A3	6-9	27	NAS1149D0463J	3-16	12
NAS1068A4	10-18	–	NAS1149D0463J	7-6	17
NAS1096-2-10	5-8	5	NAS1149D0463J	7-6.1	16
NAS1096-2-10	5-8	31	NAS1149D0563H	8-1	3
NAS1096-2-10	5-8	72	NAS1149D0563H	8-2	3
NAS1096-2-8	5-8	72	NAS1149DN816J	7-3	28
NAS1097AD3-4	11-2	19	NAS1149DN816J	8-1	18
NAS1097AD3-5	3-18	–	NAS1149DN816J	8-2	18
NAS1103-11	3-17	8	NAS1149DN832H	8-3	4
NAS1104-9D	9-2	7	NAS1149F0332P	10-22	14
NAS1149BN832H	10-4	37	NAS1149F0332P	3-12	13
NAS1149C0332R	6-1	80	NAS1149F0332P	3-9	10
NAS1149C0332R	6-6	23	NAS1149F0332P	4-2	28
NAS1149C0332R	6-8	6	NAS1149F0332P	5-5	57
NAS1149C0363R	3-4	140	NAS1149F0332P	6-10	10
NAS1149C0363R	3-4	200	NAS1149F0332P	6-6	10
NAS1149C0363R	6-8	24	NAS1149F0332P	7-1.1	110

ENSTROM TH-28/480 SERIES ILLUSTRATED PARTS CATALOG

PART NUMBER INDEX

Part Number	Figure	Item	Part Number	Figure	Item
NAS1149F0332P	7-3	18	NAS1149F0532P	4-3	9
NAS1149F0332P	7-9	5	NAS1149F0532P	6-1	92
NAS1149F0332P	9-12	37	NAS1149F0532P	6-1	94
NAS1149F0332P	9-7.1	29	NAS1149F0532P	7-2	12
NAS1149F0363P	3-10	7	NAS1149F0532P	8-1	6
NAS1149F0363P	3-12	14	NAS1149F0532P	8-2	6
NAS1149F0363P	3-18	23	NAS1149F0532P	9-13	26
NAS1149F0363P	3-18	46	NAS1149F0563	9-13	21
NAS1149F0363P	3-8	16	NAS1149F0563P	3-10	19
NAS1149F0363P	4-6	13	NAS1149F0563P	4-2	13
NAS1149F0363P	5-12	40	NAS1149F0563P	4-2	18
NAS1149F0363P	5-8	91	NAS1149F0563P	4-6	6
NAS1149F0363P	6-1	36	NAS1149F0563P	6-1	94
NAS1149F0363P	6-1	85	NAS1149F0563P	6-1	102
NAS1149F0363P	6-1.1	430	NAS1149F0563P	7-6	4
NAS1149F0363P	7-3	34	NAS1149F0563P	7-6	4
NAS1149F0363P	7-9	5	NAS1149F0563P	7-6	4
NAS1149F0432P	3-8	4	NAS1149F0563P	7-6.1	4
NAS1149F0432P	3-8	12	NAS1149F0563P	8-1	6
NAS1149F0432P	3-10	11	NAS1149F0563P	8-2	6
NAS1149F0432P	3-12	4	NAS1149F0632P	4-3	5
NAS1149F0432P	3-16	16	NAS1149F0663P	3-18	5
NAS1149F0432P	3-9	3	NAS1149F0663P	3-18	14
NAS1149F0432P	4-2	9	NAS1149F0663P	4-2	20
NAS1149F0432P	5-1	35	NAS1149F0663P	4-3	3
NAS1149F0432P	6-1	20	NAS1149F0663P	7-6	21
NAS1149F0432P	7-8.2	75	NAS1149F0663P	7-6.1	20
NAS1149F0432P	9-13	6	NAS1149F0732P	9-11	8
NAS1149F0463P	3-8	4	NAS1149FN316P	3-2	—
NAS1149F0463P	3-18	32	NAS1149FN616P	10-24.1	9
NAS1149F0463P	3-18	42	NAS1149FN616P	10-4	—
NAS1149F0463P	4-2	11	NAS1149FN816P	10-24.1	6
NAS1149F0463P	4-6	3	NAS1149FN816P	10-38	80
NAS1149F0463P	5-12	90	NAS1149FN816P	3-2	—
NAS1149F0463P	8-5	16	NAS1149FN816P	3-2	—
NAS1149F0463P	9-13	25	NAS1149FN816P	5-5	17
NAS1149F0532P	4-3	7	NAS1149FN816P	5-5	49

ENSTROM TH-28/480 SERIES ILLUSTRATED PARTS CATALOG

PART NUMBER INDEX

Part Number	Figure	Item	Part Number	Figure	Item
NAS1149FN816P	5-8	74	NAS1612-2A	8-2	33
NAS1149FN832P	11-2	13	NAS1612-2A	8-5	25
NAS1149FN832P	11-2	29	NAS1612-2A	App A	–
NAS1149FN832P	5-11	50	NAS1612-8	7-5	6
NAS1149FN832P	5-11	100	NAS1612-8	App A	–
NAS1149FN832P	5-11	150	NAS1612-8A	7-5	6
NAS1149FN832P	5-12	320	NAS1612-8A	App A	–
NAS1149FN832P	6-1	75	NAS1833-3-500	5-2	120
NAS1149FN832P	6-1	110	NAS1833-3-500	5-2	210
NAS1149FN832P	8-1	33	NAS1833-3-500	5-2	280
NAS1149FN832P	8-2	38	NAS1833-3-500	5-2	370
NAS1204-40D	9-2	13	NAS1834A3-500	5-2	730
NAS1306-8	3-1	210	NAS1834A3K500	5-3	735
NAS1351-3H32	7-9	22	NAS1922-0100-3	5-5	4
NAS1351C3H8	10-18	2	NAS1922-0150-3	4-5	–
NAS1351C3H8	10-19	–	NAS1922-0150-3	4-5	–
NAS1352-08H6	5-8	79	NAS1922-0150-3	4-5	–
NAS144DH-10	7-3	8	NAS1922-0150-3	4-5	–
NAS144DH-12	7-3	9	NAS1922-0150-3	4-5	–
NAS146DH-22	3-1	190	NAS1922-0150-3	4-5	–
NAS146DH-22	3-7	4	NAS1922-0225-3	5-5	10
NAS146DH-24	3-1	110	NAS1922-0275-3	7-1.1	60
NAS146DH-24	3-7	2	NAS1922-0350-3	6-2	11
NAS1474-A3	6-3	45	NAS1922-0700-3	6-3	20
NAS1474-A3	6-3	47	NAS1922-0925-3	6-3	21
NAS1523-4E	7-8.2	60	NAS1922-100-3	6-1	47
NAS1611-025	8-5	4	NAS428K4-10	9-14	29
NAS1611-025	8-5	11	NAS509-12	6-1	103
NAS1611-029	8-3	14	NAS509-12	7-4	23
NAS1611-133	8-3	15	NAS509-12	7-5	26
NAS1611-137	8-5	15	NAS509-8	8-5	19
NAS1612-10	8-5	24	NAS559-3	8-5	18
NAS1612-2	7-5	9	NAS617-2	10-26	–
NAS1612-2	8-5	25	NAS617-3	6-1	10
NAS1612-2	App A	–	NAS617-5	6-1	8
NAS1612-2A	7-1	14	NAS620-10	6-12	27
NAS1612-2A	7-5	9	NAS620-10	6-9	32

ENSTROM TH-28/480 SERIES ILLUSTRATED PARTS CATALOG

PART NUMBER INDEX

Part Number	Figure	Item	Part Number	Figure	Item
NAS6203-10D	6-6	21	NAS6206-58	4-1	13
NAS6203-13D	6-7	16	NAS620-6L	9-4	–
NAS6203-14D	6-6	9	NAS626-58	8-6	1
NAS6203-14D	6-7	11	NAS6604-13	3-16	9
NAS6203-14D	9-7.1	28	NAS6604-23	3-12	7
NAS6203-2	9-1	20	NAS6604-23	3-16	13
NAS6203-27	9-8	1	NAS6604-25	3-12	7
NAS6203-38	9-8	12	NAS6604H2	5-1	31
NAS6203-6	9-2	42	NAS686A06K	10-28	2
NAS6203-6	9-2	52	NAS686A06K	10-29	60
NAS6203-6	9-4	6	NAS686A06K	10-29	260
NAS6203-7D	6-8	5	NAS686A08K	10-28	17
NAS6203-8D	6-8	23	NAS686A08K	3-2	–
NAS6203-9D	6-6	13	NAS686A08K	3-2	–
NAS6203-9D	9-6	39	NAS686A08K	6-12	–
NAS6203-9D	9-7.1	32	NAS686A08K	6-2	5
NAS6204-11D	6-8	19	NAS686A3K	3-13	24
NAS6204-11D	9-2	1	NAS686-A08K	6-1.1	–
NAS6204-11D	9-2	59	NAS73-3E108	3-10	8
NAS6204-11D	9-8	22	NAS73-4E002	9-14	24
NAS6204-12D	9-5	6	NAS73-4E003	9-2	3
NAS6204-14D	9-2	38	NAS73-4E004	9-14	27
NAS6204-16D	9-14	20	NAS73-4E004	9-5	7
NAS6204-16D	9-2	30	NAS73-5E003	9-5	26
NAS6204-21D	9-2	10	NAS75-4-006	9-2	60
NAS6204-26D	9-14	19	NAS75-6-010	4-1	16
NAS6204-26D	9-2	31	NAS77-6-012	4-1	15
NAS6204-46D	9-5	16	NAS77A6-007	3-10	3
NAS6204-5	3-16	11	NK500-8-5	9-3	30
NAS6204-9	3-12	3	NK-500-8R5	8-1	17
NAS6204-9D	9-14	14	NK-500-8R5	8-2	48
NAS6205-12D	9-5	23	NK500-8R6	App A	–
NAS6205-4H	6-1	101	NK-500-8R6	5-8	16
NAS6206-23D	9-1	30	NK-500-8R6	8-1	17
NAS6206-24D	9-1	30	NK-500-8R6	8-3	35
NAS6206-32	9-12	20	NK-500-8R6	App A	–
NAS6206-58	3-1	390	NK500-8R8	App A	–

ENSTROM TH-28/480 SERIES ILLUSTRATED PARTS CATALOG

PART NUMBER INDEX

Part Number	Figure	Item	Part Number	Figure	Item
NK-500-8R8	8-2	17	PK 86XZ-8-8	6-1	22
NK-500-8R8	App A	–	PLB2S-CO	7-8	40
NK-510-10R10	8-1	27	PLB2S-CO	7-8.1	36
NK-510-10R10	8-2	31	PLB3S-CO	9-7.1	35
NP500-8R6	App A	–	PLB3S-CO	9-7.2	28
NP-500-8R6	App A	–	PLT.7M-MO	10-24.2	9
NP500-8R8	8-3	3	PLT2S-CO	10-24.2	11
NP500-8R8	App A	–	PLT4S-CO	11-4	11
NP-500-8R8	App A	–	PLT4S-CO	11-5	320
NP5-4A	3-10	5	PR1425B1/2	3-3	19
NP5-6A	3-10	5	PR1425B1/2	3-3	23
NPN	3-6.2	60	PR1425B1/2	3-3	25
NPN	5-9	6	PR1425B2	3-3	–
NPS24694S5	9-6	13	PR1440B1/2QT	5-2	30
NPS24694S5	9-6	16	PR1440B2	5-2	30
NPS24694S5	9-7	13	PR1440B2	5-7	–
NPS24694S5	9-7	16	PWMS-H25-C	10-27	7
NPS24694S5	9-7.1	2	QS200-M10S	5-3	23
NPS24694S5	9-7.2	2	QS200-M10S	5-6	7
P1-112	9-1	–	QS200-M12S	5-4	26
P1-90254	9-7.1	15	QS200-M24S	10-23	13
P1-90254	9-7.2	15	QS200-M28S	5-3	–
P4-900054	9-6	28	QS200-M32S	5-6	12
P4-900054	9-7.1	13	RST-200	8-3	12
P4-900054	9-7.2	13	RV8-4416	10-10	7
PACMO-APZ21N	10-4	28	S10P175	10-33	15
PACMO-APZ21N	10-4	28	S25P280	3-6.2	80
PAI700	10-1	13	S4-200	App A	–
PAI700	10-2	13	S500-12	10-24.1	2
PAI700	10-3	13	S500-12	5-12	230
PAI700	10-4	13	S500-12	6-4	4
PCS111A	App A	–	S500-14	6-4	27
PCS-111A	10-24	1	S500-16	10-24.1	3
PCS-111A	10-24.1	1	S500-16	5-12	280
PCS-111A	10-24.2	3	S500-18	5-12	290
PCS-111A	App A	–	S500-3	6-1	107
PGZF0A0180	8-5	9	S500-6	6-4	28

ENSTROM TH-28/480 SERIES ILLUSTRATED PARTS CATALOG

PART NUMBER INDEX

Part Number	Figure	Item	Part Number	Figure	Item
S500-8	10-24.1	14	SD15F10JVL0	10-3	–
S500-8	6-1	106	SD15F10JVL0	10-4	–
S500-8	6-4	3	SD15M10JVL0	10-1	–
S-6424EC-1	11-3	1	SD15M10JVL0	10-2	–
S6P150	11-5	270	SD15M10JVL0	10-3	–
S83BZ-2	7-1	11	SD15M10JVL0	10-3	–
S83BZ-2	7-1.1	180	SD15M10JVL0	10-4	–
S83BZ-2	7-11	9	SE25PFR-MR0	6-7.3	50
S8P150	10-38	40	SF96-20	App A	–
S8P150	11-3	4	SF96-20-PT	App A	–
S8P150	3-2	–	SJ-3526	10-35	–
S8P150	3-2	–	SJ-3526	7-7	9
S8P150	3-2	–	SJ-3527	10-35	–
S8P150	3-2	–	SJ-3527	7-7	8
S8P150	3-3	22	SK3500	10-18	18
S8P150	5-5	18A	SL61N5F	8-7	16
S8P-150	11-1	24	SL61N5P	8-7	16
S8P-150	4-5	14	SL61N5P	App A	–
S8P-270	3-6.1	160	SL61N-5P	App A	–
S-9213EC-2	11-1	1	SL61W5P	8-7	17
S-9216EC-1	6-1	11	SL61W5P	App A	–
S-9230EC-1	11-1	3	SL61W-5P	App A	–
S9704EC-1	11-3	2	SM21919F8	5-5	6
SC628ANP	10-10	–	SO-0163-9033	6-7.1	8
SC628ANP	App A	–	SO-0163-9033	6-7.3	20
SC628ANPR	10-10	–	SPDD2315	6-1	24
SC628ANPR	App A	–	SPDD2405	10-27	13
SC628D	10-10	2	SPDD2415	10-27	13
SC628DR	10-10	2	SS-094-0625	8-4	2
SC628W	10-10	3	SS-200-1-2SBT	10-26	6
SC628W	App A	–	SS-44F	10-27	18
SC628WR	10-10	3	SS-44F	10-36	17
SC628WR	App A	–	SSR-0075-S17	9-6	19
SCEET12	6-2	10	SST1.5I-M	10-24.2	6
SD15F10JVL0	10-1	–	SST1.5IMP	10-36	–
SD15F10JVL0	10-2	–	SST1.5I-MP	10-15	–
SD15F10JVL0	10-3	–	SST1.5I-MP	10-24.2	6

ENSTROM TH-28/480 SERIES ILLUSTRATED PARTS CATALOG

PART NUMBER INDEX

Part Number	Figure	Item	Part Number	Figure	Item
SST1.5I-MP	10-25	3	VC1019	6-1	50
SST1.5I-MP	10-26	3	VC-3	11-6	190
SST1.5I-MP	10-33	11	VH-175-S02	9-1	4
SST1.5I-MP	10-33	20	VH-218	7-1	6
SST1.5I-MP	10-39	70	VH-218	7-1.1	19
SST1.5I-MP	6-9	10	VH-225-S02	9-4	13
SST1M-MP	5-5	13	VH-325	7-4	4
SST1M-MP	10-24	9	VH-325	7-5	12
SST1M-MP	10-24.1	–	VH-337	7-1	15
SST1M-MP	10-24.2	2	VH-375	7-8	28
SST1M-MP	10-25	5	VH-375	7-8.1	25
SST1M-MP	10-26	5	VH-400	7-4	7
SST1M-MP	10-27	8	VH-400	7-5	4
SST1M-MP	10-36	–	VH-75	8-3	33
SST1M-MP	6-7.3	60	VH-87-S02	9-1	13
SST2S-MP	10-24.1	–	VH-87-S02	9-1	13
SST2S-MP	10-24.2	–	VH-87-S02	9-1	13
SST2S-MP	10-33	11	VI-P4T-K2	5-8	47
SST2S-MP	10-33	20	VI-P6T-K2	5-8	40
SST2S-MP	10-36	–	VI-P6T-K2	5-8	81
SST2S-MP	10-39	80	VR1528-11B	10-18	1
SST2S-MP	5-6	19	VR1528-11B	10-19	1
SW44	11-6	130	VTB11350	9-11	–
T14BH517BC	10-10	5	W-09	8-1	21
T2-0055	9-6	29	W-09	8-2	25
T2-0055	9-7	23	W-09	8-4	5
T2-0055	9-7.1	16	W1283	10-31	5
T2-0055	9-7.2	16	W1283	App A	–
T3-120-1	10-28	9	W1284G	App A	–
T3-120-1	10-29	130	W1284-G	10-31	6
T4-0198	9-1	–	W1284-G	App A	–
TF3056FR	5-2	860	W1284R	App A	–
TS-023	9-15	8	W1284-R	10-31	6
TS-023	9-15	15	W1284-R	App A	–
TSP-1728	10-14	11	W129028	App A	–
U2-025	9-1	–	W1290-28	10-31	2
V3-1	9-3	33	W1290-28	App A	–

ENSTROM TH-28/480 SERIES ILLUSTRATED PARTS CATALOG

PART NUMBER INDEX

Part Number	Figure	Item	Part Number	Figure	Item
W389CX-13	10-18	34			
W-47	9-15	11			
W97CSX-2	10-18	15			
W97CSX-2	App A	–			
WC-22-6	8-6	2			
WC400-00	4-2	25			
Weld-On 45	10-33	–			
WP-22-6	8-6	3			
X109HT	3-6.1	10			
X1333HT	11-5	170			
X1333HT	3-6.1	40			
X-142	8-3	–			
X-142	8-3	–			
Y9485	4-5	24			
Z1200J-02	6-1	–			
ZFD10940732	App A	–			
ZFD-1094-0-7-32	9-1	37			
ZFD-1094-0-7-32	App A	–			

ENSTROM TH-28/480 SERIES ILLUSTRATED PARTS CATALOG

PART NUMBER INDEX

Part Number	Figure	Item	Part Number	Figure	Item
-------------	--------	------	-------------	--------	------

INTENTIONALLY LEFT BLANK

ENSTROM TH-28/480 SERIES ILLUSTRATED PARTS CATALOG

SECTION 1 – TABLE OF CONTENTS

Cover	1-1
Table of Contents	1-1.2
Scope	1-2
Introductory Information	1-2
Detailed Parts List	1-3
Appendices	1-4

ENSTROM TH-28/480 SERIES ILLUSTRATED PARTS CATALOG

NOTE

Please read the following introductory material carefully and completely. Understanding how information is presented will allow you to make optimum use of this catalog,

SCOPE

The Illustrated Parts Catalog (IPC) provides by means of text and companion illustrations, complete definition of all repair parts and spares items available to the customer. The IPC contains information on TH-28/480 series helicopters manufactured by The Enstrom Helicopter Corporation, Menominee, Michigan. It is furnished for the purpose of parts procurement ONLY and shall not be used for any other purpose.

Orders for repair parts for engine or accessories (generators, fuel controls, etc.) used in Enstrom helicopters should be placed with the engine or accessory manufacturer's authorized distributor or dealer and not through The Enstrom Helicopter Corporation.

INTRODUCTORY INFORMATION

The introductory portion of the IPC contains Record of Revisions, Change Methods, Title Page, Recommended Change Report, Table of Contents, Effective Page List and Part Number Index.

RECORD OF REVISIONS

A Record of Revisions page is placed in front of the manual to record the insertion of revisions as they are issued for the publication.

CHANGE METHODS

The IPC is periodically brought up-to-date by one of two methods.

Normal revisions are issued in the form of replacement pages and added pages to be inserted at designated locations. Revision instructions are included on the Revision Cover page, and once the revisions are inserted in the manual, the Record of Revisions page should be updated and the Revision Cover page be placed behind the Record of Revisions page.

Temporary revisions are issued in advance of the normal revision. In most cases, for example, the purpose of a temporary revision is to expedite the release of safety critical changes to the field. A temporary revision page is identified by a unique index number, i.e. Rev. 13, TRT-001 (Revision 13, Temporary Revision (Turbine) 001). This unique index number is found in the revision level field of the page footer (left side). Temporary revision pages shall be printed on yellow stock. Instructions are contained on the temporary revision page, and once the temporary revision pages are inserted in the manual, the Record of Temporary Revisions page should be updated. Temporary revisions shall be maintained in the IPC until such time they are incorporated into the next normal revision issue.

ENSTROM TH-28/480 SERIES ILLUSTRATED PARTS CATALOG

SECTION 2 – TABLE OF CONTENTS

Cover	2-1
Table of Contents	2-1.1
General	2-2
Parts Orders	2-2
Shipment	2-3
Emergency Requirements	2-3
Credit Terms	2-3

ENSTROM TH-28/480 SERIES ILLUSTRATED PARTS CATALOG

GENERAL

All owner parts orders should be placed through your nearest Enstrom Helicopter Dealer or Service Center. If you are unable to locate your Dealer or Service Center, contact the Enstrom Customer Service Manager for this information.

PARTS ORDERS

All parts orders should be addressed to:

Parts Coordinator

Enstrom Helicopter Corporation
2209 22nd Street
Menominee, MI 49858-3595

Telephone: (906) 863-1200
Fax: (906) 863-6821

Email: customerservice@enstromhelicopter.com

Please complete the parts order form located on the Enstrom.com website at: <http://enstromhelicopter.com/wp-content/uploads/2012/03/PARTS-ORDER-FORM-V4.pdf>
If you do not have access to the form, please include the information outlined in the following paragraphs.

To ensure shipment of the proper parts, be sure to include the model number and the serial number on each aircraft order. This information can be found in the Aircraft Log book and on the data plate attached to the right rear side of the tailcone.

Order by part number and description as shown in the IPC list. Be sure to list the quantity required. Incorrect numbers will be returned for clarification and delay shipment of your order.

The purchase order must indicate the name and address of the ordering organization, and the name and address of the organization to whom the parts are to be shipped. It must be signed by an authorized representative of the dealer or service center.

If parts are ordered by telephone, the purchase order must have the words "confirming order" and the confirming date on the purchase order to avoid duplication of shipments.

All returned orders will be assessed a 20% restocking charge.

NOTE

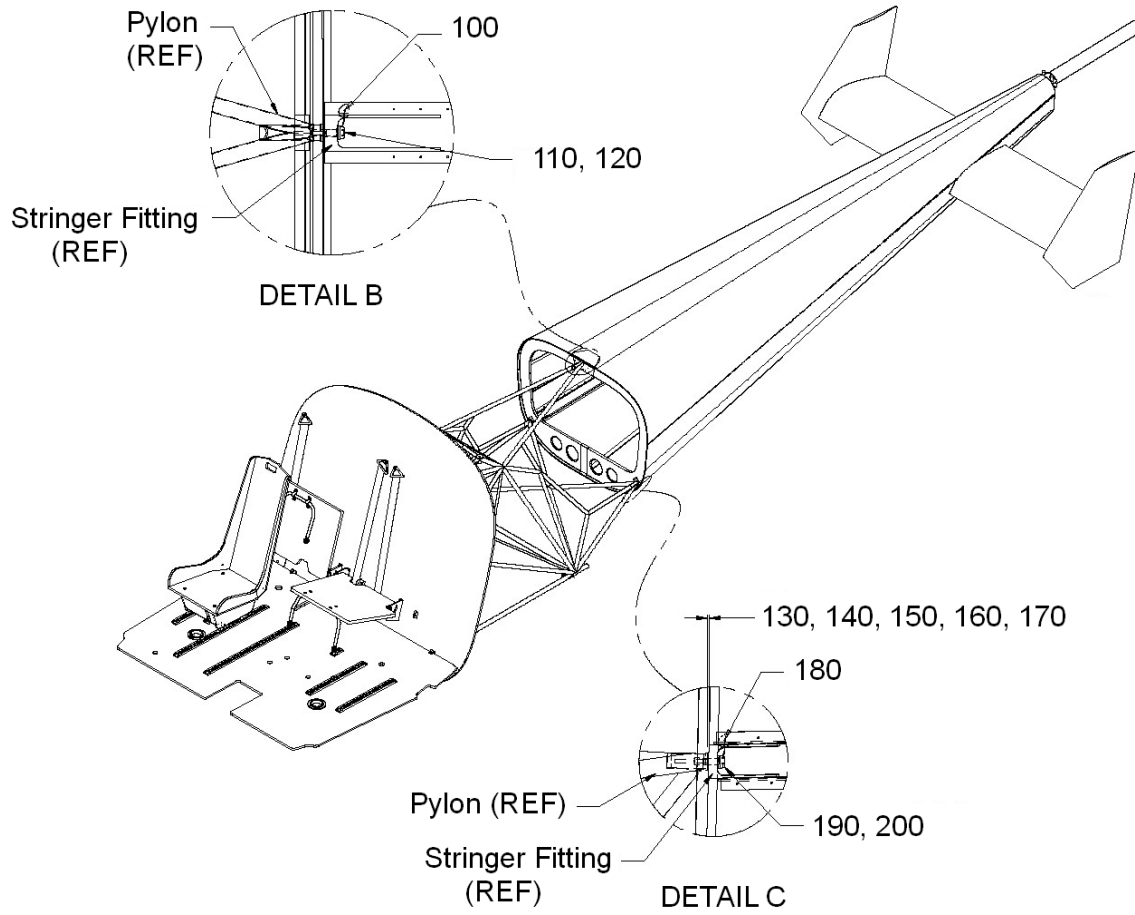
The Enstrom Helicopter Corporation reserves the right, without prior notice, to supply substitute interchangeable parts for the ordered part when design changes, revised specifications, stock supply, or product improvements make such a substitution necessary.

ENSTROM TH-28/480 SERIES ILLUSTRATED PARTS CATALOG

SECTION 3 – TABLE OF CONTENTS

	Cover	3-1.1
	Table of Contents	3-1.2
3-1	Structural Assembly	3-2
3-2	Cowling and Access Panels	3-8
3-3	Windshield and Window Installation	3-16
3-4	Sliding Window Installation	3-22
3-5	Engine Cowl Door Opener	3-24
3-6	Cabin Door Assembly	3-25.1
3-6.1	Cabin Door Installation	3-25.7
3-6.2	Cabin Door Opener	3-26
3-7	Tailcone Installation	3-30
3-8	Horizontal and Vertical Stabilizer Installation	3-32
3-9	Tail Rotor Guard and Extension Tube Installation	3-36
3-10	Tail Rotor Guard Installation (4172000-101)	3-38
3-11	Tail Rotor Guard Installation (4172000-9)	3-40
3-12	Tailcone Vibration Absorber Installation	3-42
3-13	Tail Rotor Drive Shaft Cover Installation	3-46
3-14	Seat Installation - TH-28	3-52
3-15	Seat Installation - 480/480B	3-54
3-16	Seat Assembly	3-56
3-17	Seat Base Assembly	3-58
3-18	Bench Seat Installation	3-62
3-19	Passenger Footrest Installation	3-70
3-20	Exterior Markings	3-72
3-21	Interiors	3-76

ENSTROM TH-28/480 SERIES ILLUSTRATED PARTS CATALOG



Sheet 1 of 3

FIGURE 3-1. STRUCTURAL ASSEMBLY

ENSTROM TH-28/480 SERIES ILLUSTRATED PARTS CATALOG

SECTION 4 – TABLE OF CONTENTS

	Cover	4-1
	Table of Contents	4-1.2
4-1	Landing Gear Cross Tube Installation	4-2
4-2	Landing Gear Assembly and Installation	4-4
4-3	Landing Gear Oleo Installation	4-8
4-4	Oleo Assembly	4-10
4-5	Landing Gear Fairing Installation	4-14
4-6	Landing Gear Steps	4-18

ENSTROM TH-28/480 SERIES ILLUSTRATED PARTS CATALOG

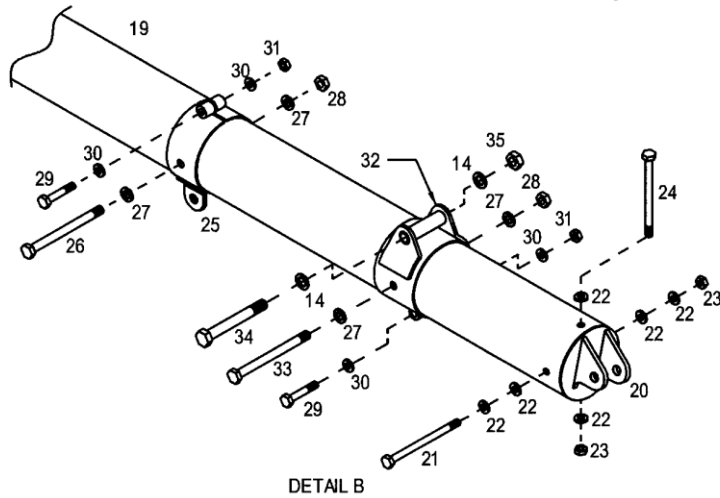
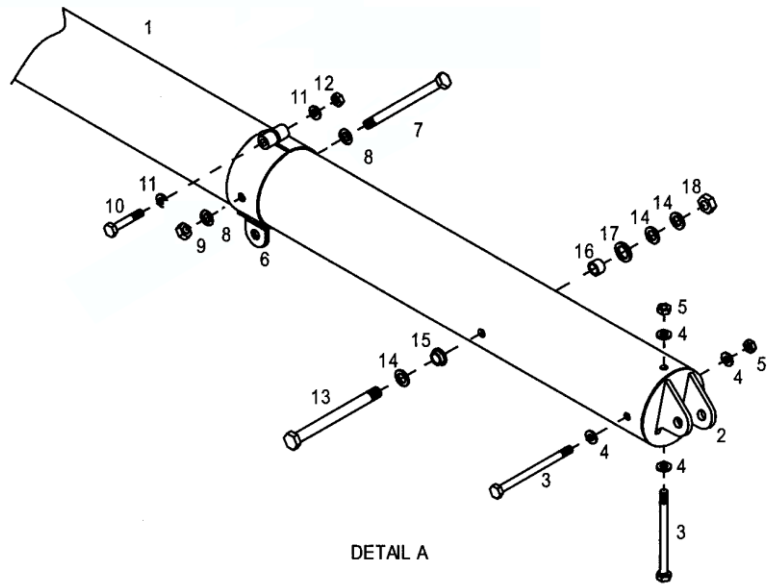
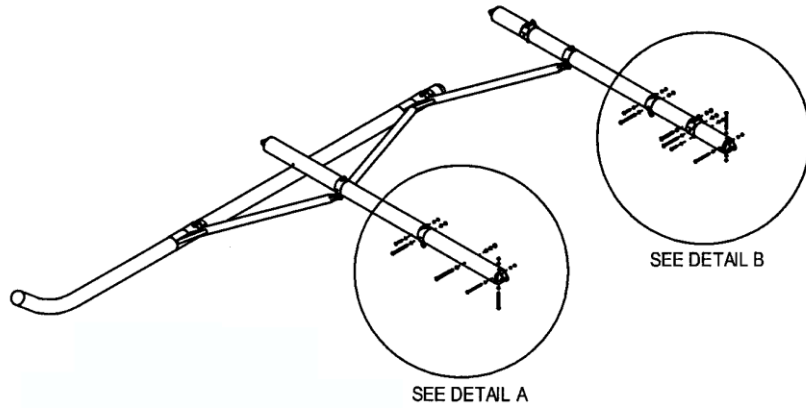


FIGURE 4-1. LANDING GEAR CROSS TUBE INSTALLATION

ENSTROM TH-28/480 SERIES ILLUSTRATED PARTS CATALOG

FIGURE 4-2. LANDING GEAR ASSEMBLY AND INSTALLATION

ITEM NUMBER	PART NUMBER	DESCRIPTION	QTY PER ASSY	EFFECTIVITY		
				TH-28	480	480B
1	4174003-1	. Skid, Gear, Assy W/End Caps	2	X	X	
-	4174008-11	. . End Cap	2	X	X	
-	AN530-8R8	. . Screw	2	X	X	
1**	4174003-3	. Skid, Gear, Assy W/End Caps	2	X	X	X
- ●	4174008-17	. . End Cap	2	X	X	X
- ±	4174008-15	. . End Cap (Superseded by 4174008-17)	2	X	X	X
-	4174008-11	. . End Cap (Superseded by 4174008-15)	2	X	X	X
-	AN530-6R6	. . Screw	2	X	X	X
→▶	6X3/8	. . Screw	2			X
2	4174001-101	. Leg, Landing Gear, Left Hand, Forward	1	X	X	X
2	4174001-102	. Leg, Landing Gear, Right Hand, Forward	1	X	X	X
3▶	4174001-107	. Drag Strut	2	X	X	X
3	4174001-105	. Drag Strut (Superseded by 4174001-107)	2	X	X	X
4	4174001-103	. Leg, Landing Gear, Left Hand, Aft	1	X	X	X
4	4174001-104	. Leg, Landing Gear, Right Hand, Aft	1	X	X	X
5	4174009-13	. Wear Plate	2	X	X	X
6	4174007-5	. Wear Plate	2	X	X	X
6†	4220132-1	. Wear Plate, Heavy Duty	2		X	X
7	4174007-8	. Wear Plate, Left Hand	1	X	X	X
7	4174007-7	. Wear Plate, Right Hand	1	X	X	X
7†	4220132-1	. Wear Plate, Heavy Duty	2		X	X
8	AN4-33A	. Bolt	22	X	X	X
9‡	NAS1149F0432P	. Washer	16	X	X	X
9	AN960-416L	. Washer (Superseded by NAS1149F0432P)	28	X	X	X
10‡	MS21044N4	. Nut	22	X	X	X
10	AN365-428A	. Nut (Superseded by MS21044N4)	22	X	X	X
11‡	NAS1149F0463P	. Washer	28	X	X	X
11	AN960-416	. Washer (Superseded by NAS1149F0463P)	16	X	X	X
12	AN5-15A	. Bolt	2	X	X	X
13‡	NAS1149F0563P	. Washer	4	X	X	X
13	AN960-516	. Washer (Superseded by NAS1149F0563P)	4	X	X	X
14‡	MS21044N5	. Nut	8	X	X	X
14	AN365-524A	. Nut (Superseded by MS21044N5)	6	X	X	X
15	4174012-11	. Leg Fitting	4	X	X	X
16	4174012-13	. Clamp-up Bushing	4	X	X	X
17	AN5-13A	. Bolt	4	X	X	X
17	AN5-12A	. Bolt (Superseded by AN5-13A)	4	X	X	X

ENSTROM TH-28/480 SERIES ILLUSTRATED PARTS CATALOG

ITEM NUMBER	PART NUMBER	DESCRIPTION	QTY PER ASSY	EFFECTIVITY		
				TH-28	480	480B
18‡	NAS1149F0563P	. Washer	12	X	X	X
18	AN960-516L	. Washer (Superseded by NAS1149F0563P)	12	X	X	X
19	AN6-23A	. Bolt	4	X	X	X
20‡	NAS1149F0663P	. Washer	12	X	X	X
20	AN960-616L	. Washer (Superseded by NAS1149F0663P)	12	X	X	X
21‡	MS21083N6	. Nut	4	X	X	X
21	AN365-624A	. Nut (Superseded by MS21083N6)	4	X	X	X
22*	AN4-37A	. Bolt	4	X	X	
23*	28-16348-1	. Spacer	8	X	X	
24*	AN364-428A	. Nut	4	X	X	
25	ECD4057-15	. Saddle, Ground Handling Wheel	2	X	X	X
25	ECD4057-13	. Saddle, Ground Handling Wheel (Obsolete)	2	X	X	X
25	ECD4057-11	. Saddle, Ground Handling Wheel (Obsolete)	2	X	X	X
25*	WC400-00	. Saddle, Ground Handling Wheel (Superseded by ECD4057-15)	2	X	X	
–	4174004-1	. Nut Plate Strip Assembly (Used with P/N ECD4057)	2	X	X	X
– Δ	4174004-3	. Nut Plate Strip Assembly	2	X	X	X
26	AN3-5A	. Bolt	20		X	X
26ΔΔ	CR3213-6-3	. Rivet (Inactive)	20	X	X	X
27	28-17164-11	. Placard: No Step	2	X	X	X
28	NAS1149F0332P	. Washer	20		X	X
28	AN960-10L	. Washer (Superseded by NAS1149F0332P)	20		X	X

* Used on early production TH-28/480 aircraft.

** Effectivity 480B S/N 5042 and subsequent.

† Effectivity 480/480B S/N 5146 and subsequent.

± Effectivity 480B S/N 5148 and subsequent.

• Effectivity 480B S/N 5155 and subsequent. Eligibility 480 S/N 5001, 480B S/N 5042 and subsequent.

‡ Effectivity 480B S/N 5196 and subsequent. Eligibility 480 S/N 5001, 480B S/N 5042 and subsequent.

Δ Used to support a field replacement for saddle configuration with 1.30" spaced bolt holes.

ΔΔ Used with WC400-00, ECD4057-11, and ECD4057-13 only. Not supported.

▶ Effectivity 480B S/N 5252 and subsequent; Eligibility 480 S/N 5001, 480B S/N 5042 and subsequent.

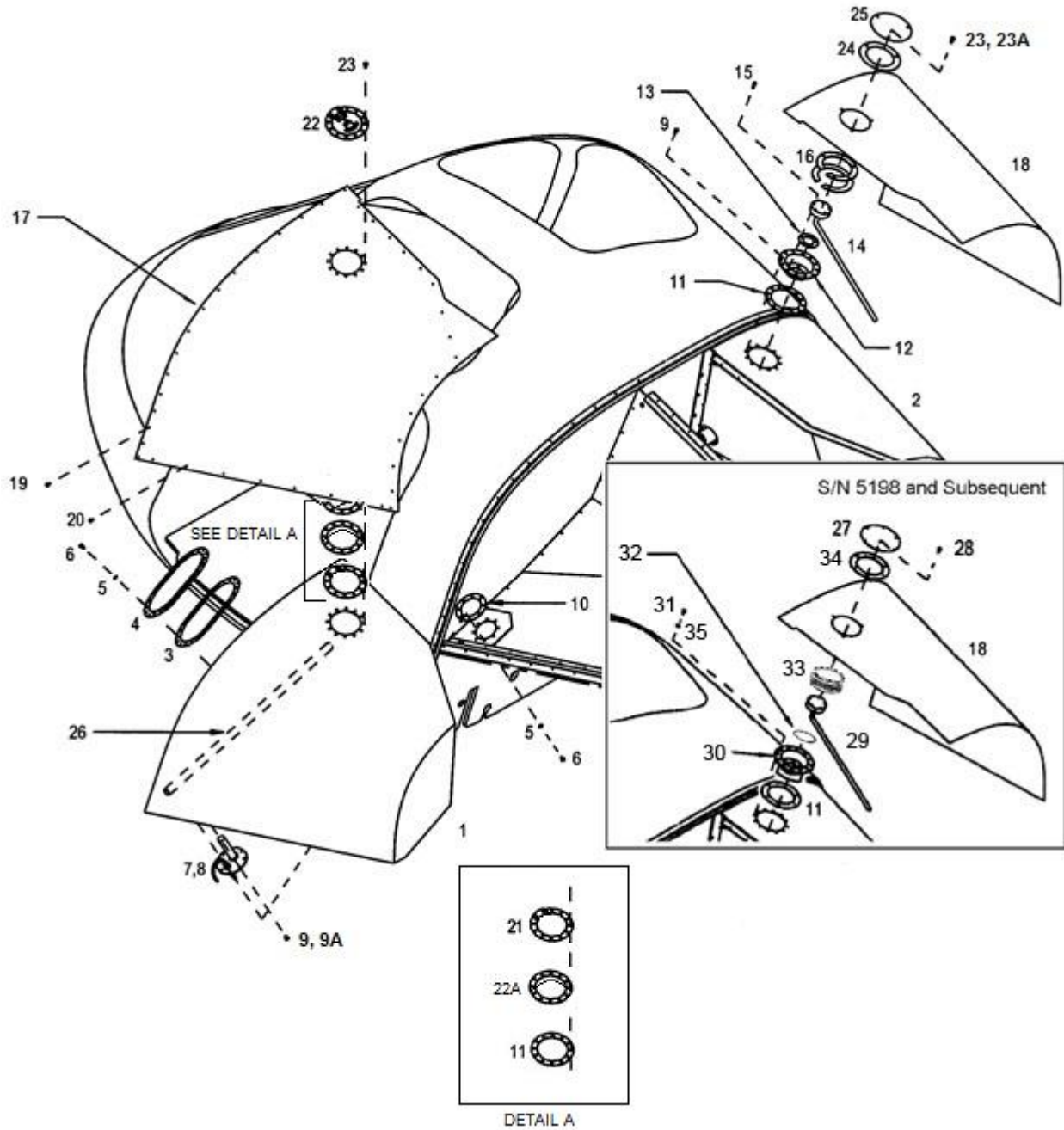
▶▶ Effectivity 480B S/N 5255 and subsequent: Eligibility 480B S/N 5042 and subsequent.

ENSTROM TH-28/480 SERIES ILLUSTRATED PARTS CATALOG

SECTION 5 – TABLE OF CONTENTS

	Cover	5-1
	Table of Contents	5-1.2
 	5-1 Fuel Cell Installation – Aerotech/UFCC Fuel Cells	5-2
 	5-2 Fuel Bladder Structure Assy/Install – Aerotech/UFCC Fuel Cells	5-6
	5-3 Fuel Cell Installation - Aerazur Fuel Cells	5-14
	5-4 Fuel Cell Installation - Aerazur Fuel Cells S/N 5011 and 5012	5-16
 	5-5 Fuel Line Installation – Aerotech/UFCC Fuel Cells	5-20
	5-6 Fuel Line Installation - Aerazur Fuel Cells	5-26
 	5-7 Flanged Plate Assembly – Aerotech/UFCC Fuel Cells	5-30
	5-8 Fuel Shutoff Valve Assembly	5-32
	5-9 Sump Drain Valve Installation	5-40
	5-10 Fuel Shutoff Cable Installation S/N 5001 - 5145	5-42
	5-11 Fuel Shutoff Cable Installation	5-44
	5-12 Optional Airframe Mounted Fuel Filter	5-48

ENSTROM TH-28/480 SERIES ILLUSTRATED PARTS CATALOG



480/480B: S/N 5007, 5010, 5013 and subs.
 (earlier S/N modified to Aerotech/UFCC fuel cells, as applicable)
 TH-28: 3007 and subs.

FIGURE 5-1. FUEL CELL INSTALLATION – AEROTECH/UFCC FUEL CELLS

ENSTROM TH-28/480 SERIES ILLUSTRATED PARTS CATALOG

FIGURE 5-1. FUEL CELL INSTALLATION – AEROTECH/UFCC FUEL CELLS

ITEM NUMBER	PART NUMBER	DESCRIPTION	QTY PER ASSY	EFFECTIVITY		
				TH-28	480	480B
–	4122054-3	Fuel System Installation	Ref		X	X
1♦	4122052-7	. Fuel Bladder, L/H	1		X	X
→♦	4122052-3	. Fuel Bladder, L/H (Superseded by 4122052-7)	1	X	X	X
–	4122054-903	. Left-Fuel Bladder Sub Assembly	Ref	X	X	X
→♦♦	4122052-101	. . Fuel Bladder, L/H (Without Foam Baffles)	1		X	X
→♦	4122052-5	. . Fuel Bladder, L/H (Without Foam Baffles) (Superseded by 4122052-101)	1		X	X
→♦	4122052-1	. . Fuel Bladder L/H (Without Foam Baffles) (Superseded by 4122052-101)	1	X	X	X
–	4122058-901	. . Foam Assembly: Fuel Bladder L/H	1		X	X
2♦	4122052-8	. Fuel Bladder, R/H	1		X	X
→♦	4122052-4	. Fuel Bladder, R/H (Superseded by 4122052-8)	1	X	X	X
–	4122052-10	. Fuel Bladder, R/H (Inactive)	1		X	X
–	4122054-906	. Right-Fuel Bladder Sub Assembly	Ref	X	X	X
–	4122054-904	. Right-Fuel Bladder Sub Assembly (Superseded by 4122054-906)	Ref	X	X	X
→♦♦	4122052-102	. . Fuel Bladder, R/H (Without Foam Baffles)	1		X	X
→♦	4122052-6	. . Fuel Bladder R/H (Without Foam Baffles) (Superseded by 4122052-102)	1		X	X
→♦	4122052-2	. . Fuel Bladder R/H (Without Foam Baffles) (Superseded by 4122052-102)	1	X	X	X
–	4122058-902	. . Foam Assembly: Fuel Bladder R/H	1	X	X	X
3	ECD4049-11	. Gasket	2	X	X	X
4	4122053-13	. . Flange Plate	2	X	X	X
5	NAS1149D0416H	. . Washer	56	X	X	X
6	AN4H3A	. Bolt	56	X	X	X
–	MS20995C25	. Safety Wire	A/R	X	X	X
7**	4122057-3	. . Flange Plate Assembly, L/H (See Figure 5-7 for breakdown)	1	X	X	X
7	4122057-1	. . Flange Plate Assembly, L/H (See Figure 5-7 for breakdown) (Superseded by 4122057-3)	1	X	X	X
8**	4122057-4	. . Flange Plate Assembly, R/H (See Figure 5-7 for breakdown)	1	X	X	X
8	4122057-2	. . Flange Plate Assembly, R/H (See Figure 5-7 for breakdown) (Superseded by 4122057-4)	1	X	X	X
9	MS24694-S94	. Screw	17	X	X	X

ENSTROM TH-28/480 SERIES ILLUSTRATED PARTS CATALOG

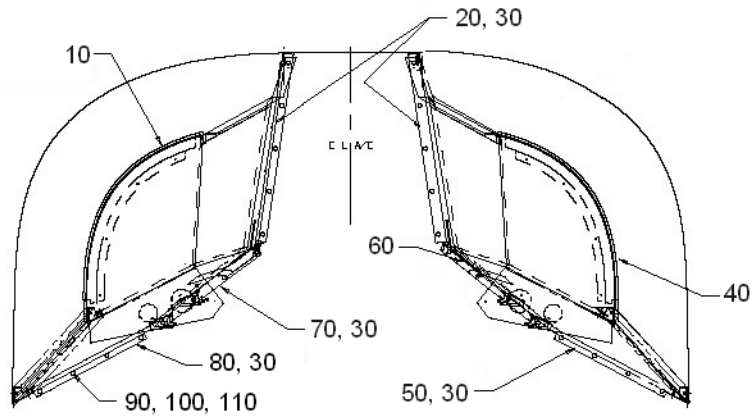
FIGURE 5-1. FUEL CELL INSTALLATION – AEROTECH/UFCC FUEL CELLS

ITEM NUMBER	PART NUMBER	DESCRIPTION	QTY PER ASSY	EFFECTIVITY		
				TH-28	480	480B
9A°	MS24693-S294	. Screw	8			X
10	4122065-27	. Gasket	2	X	X	X
11	ECD4049-13	. Gasket	2	X	X	X
11	ECD4049-13	. Gasket	2	X	X	X
12●	4122048-3	. Flanged Mounting Plate	1	X	X	X
13●	ECD4037-11	. Gasket	1	X	X	X
14*●	4122088-5	. Fuel Capacitance Probe	1			X
14	4122088-3	. Fuel Capacitance Probe	1	X	X	X
14*	4122088-1	. Fuel Capacitance Probe (Superseded by 4122088-5)	1			X
15	AN525-10R18	. Screw	5	X	X	X
16●	4122065-21	. Spacer	2	X	X	X
17	4119333-3	. Fuel Cell Panel, L/H	1	X	X	X
18	4119333-4	. Fuel Cell Panel, R/H	1	X	X	X
19	AN525-10R7	. Screw	68	X	X	X
20	AN525-10R10	. Screw	24	X	X	X
21	4122065-25	. Gasket	1	X	X	X
22	4122074-905	. Fuel Cap Flange Assembly	1	X	X	X
22A	4122074-11	. Flange	1	X	X	X
–	MS29561-232	. O-Ring	1	X	X	X
23	AN525-416R8	. Screw	10	X	X	X
23∞	AN525-416R10	. Screw	2	X	X	X
23A†	AN525-416R14	. Screw	6		X	X
–∞	NAS1149C0463R	. Washer	2	X	X	X
24●	4122065-23	. Gasket	1	X	X	X
25●	4122065-15	. Cover Plate	1	X	X	X
26‡	4122071-1	. Dip Stick Tube	1	X	X	X
–	4122071-13	. Dip Stick	1	X	X	X
27†	4122065-33	. Cover	1		X	X
28†	AN525-416R10	. Screw	6		X	X
29†	ECD4092-1	. Fuel Quantity Transmitter	1		X	X
30†	4122084-1	. Flanged Cup Assembly	1		X	X
31†	NAS6604H2	. Bolt	6		X	X
–	MS20995C25	. Safety Wire	A/R		X	X
32†	MS28775-233	. O-Ring	1		X	X
33†	4122084-13	. Spanner Nut	1		X	X
34†	4122065-35	. Gasket	1		X	X
35†	NAS1149F0432P	. Washer	6		X	X

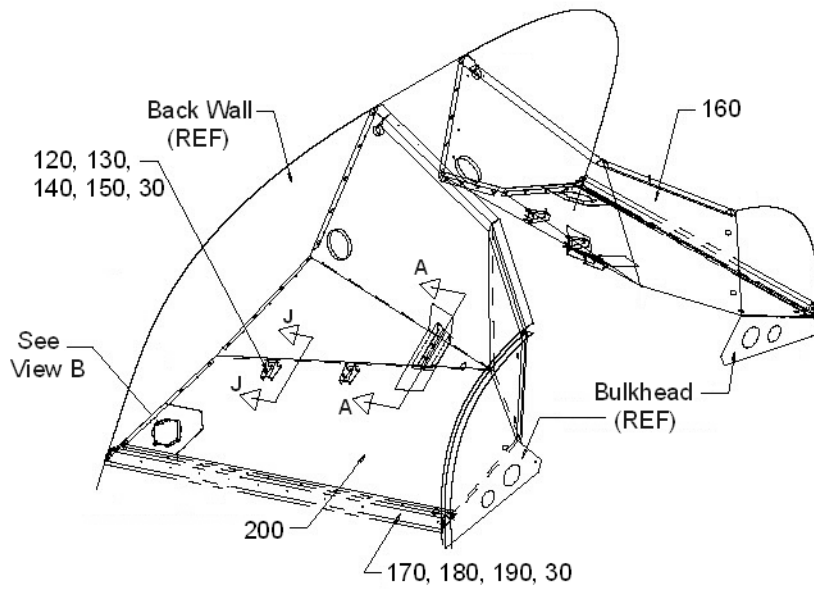
ENSTROM TH-28/480 SERIES ILLUSTRATED PARTS CATALOG

- * Used on serial numbers 5046, 5048 and subsequent, with indicator P/N ECD4038-5.
- ** Effectivity 480B S/N 5147 and subsequent.
- ≡ See Appendix A for equivalent part information.
- ◆ Effectivity 480B S/N 5176 and subsequent. Retrofittable to 480 S/N 5001-5041, 480B S/N 5042 and subsequent.
- Hardware for the previous fuel probe installation (prior to 480B S/N 5198). Replaced by new fuel probe system.
- † The new fuel probe installation hardware. Replaces previous fuel probe hardware. Effectivity 480B S/N 5198 and subsequent. Retrofittable to 480 S/N 5014-5041 and 480B S/N 5042 and subsequent modified in accordance with SIL T-061.
- ‡ 480B S/N 5231 and subsequent and helicopters modified in accordance with SIL T-062 are not equipped with item 26.
- Effectivity 480B S/N 5231 and subsequent. Retrofittable to 480B S/N 5042 and subsequent.
- ∞ Installed at the fuel cap flange assembly hinge. Effectivity 480B S/N 5231 and subsequent. Retrofittable to 480B S/N 5042 and subsequent.
- ◆◆ Effectivity 480B S/N 5251 and subsequent. Retrofittable to 480/480B S/N 5013 and subsequent.

ENSTROM TH-28/480 SERIES ILLUSTRATED PARTS CATALOG



View Looking Forward

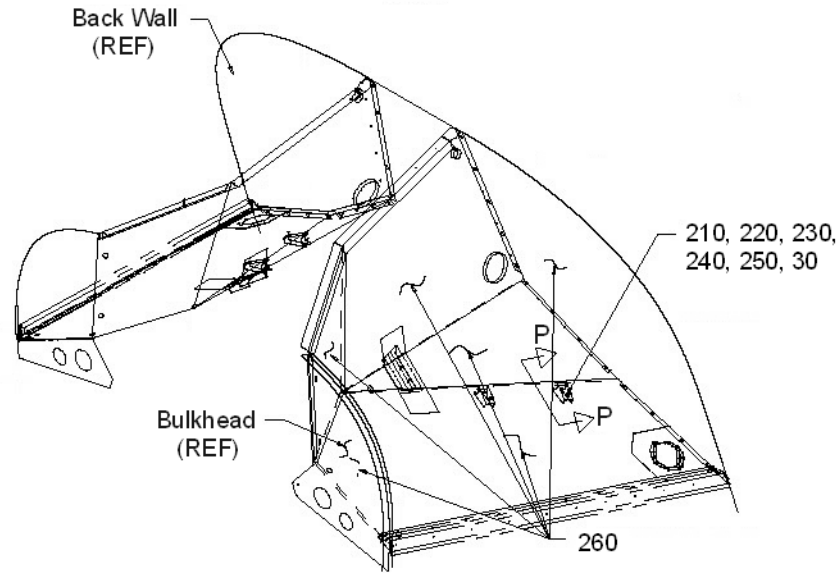


Isometric View from Left Side of Aircraft
Bladder Structure and Attachments

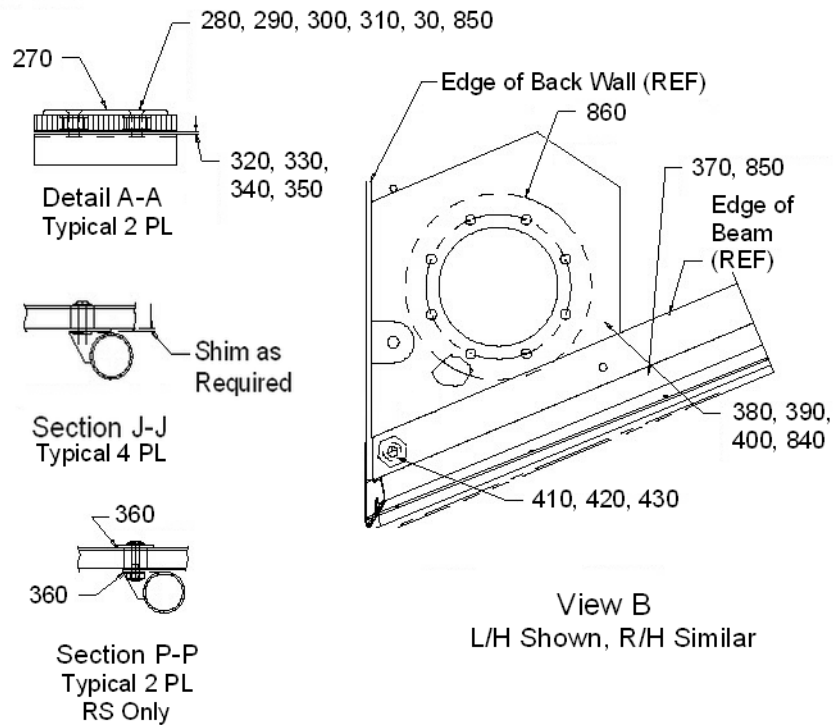
Sheet 1 of 4
480/480B: S/N 5001 and Subsequent

FIGURE 5-2 FUEL BLADDER STRUCTURE ASSY/INSTALL- AEROTECH/UFCC FUEL CELLS

ENSTROM TH-28/480 SERIES ILLUSTRATED PARTS CATALOG



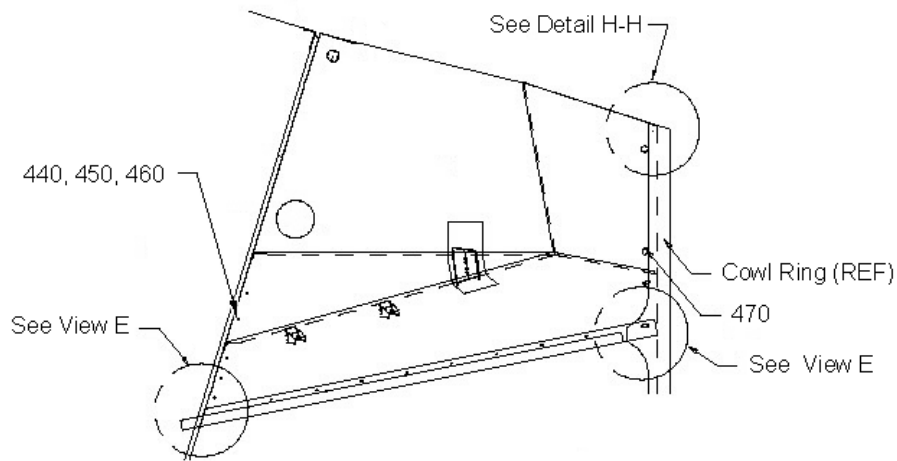
Isometric View From Right Side of Aircraft Bladder Structure and Attachments



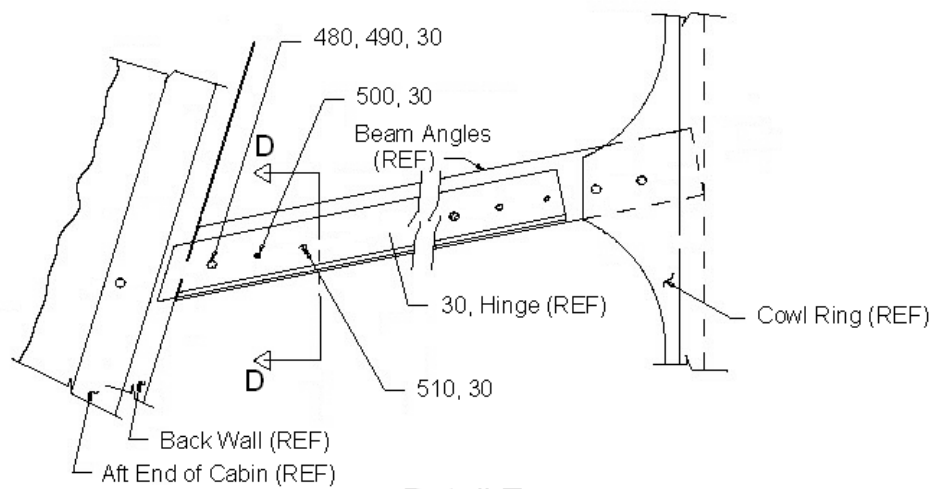
Sheet 2 of 4
480/480B: S/N 5001 and subsequent

FIGURE 5-2 FUEL BLADDER STRUCTURE ASSY/INSTALL- AEROTECH/UFCC FUEL CELLS

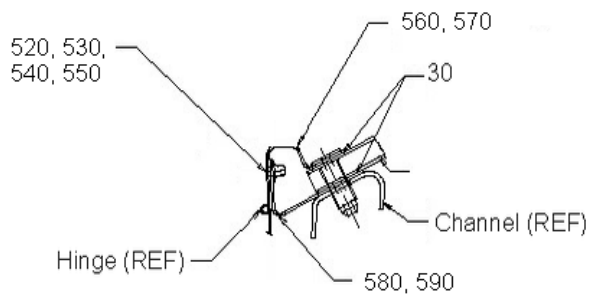
ENSTROM TH-28/480 SERIES ILLUSTRATED PARTS CATALOG



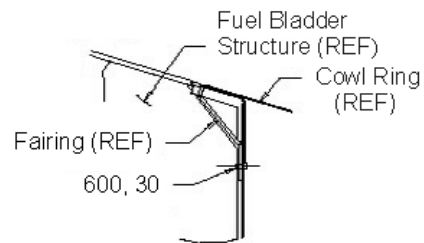
View Looking Inboard at Left Bladder,
Right Bladder Similar



Detail E



Detail D

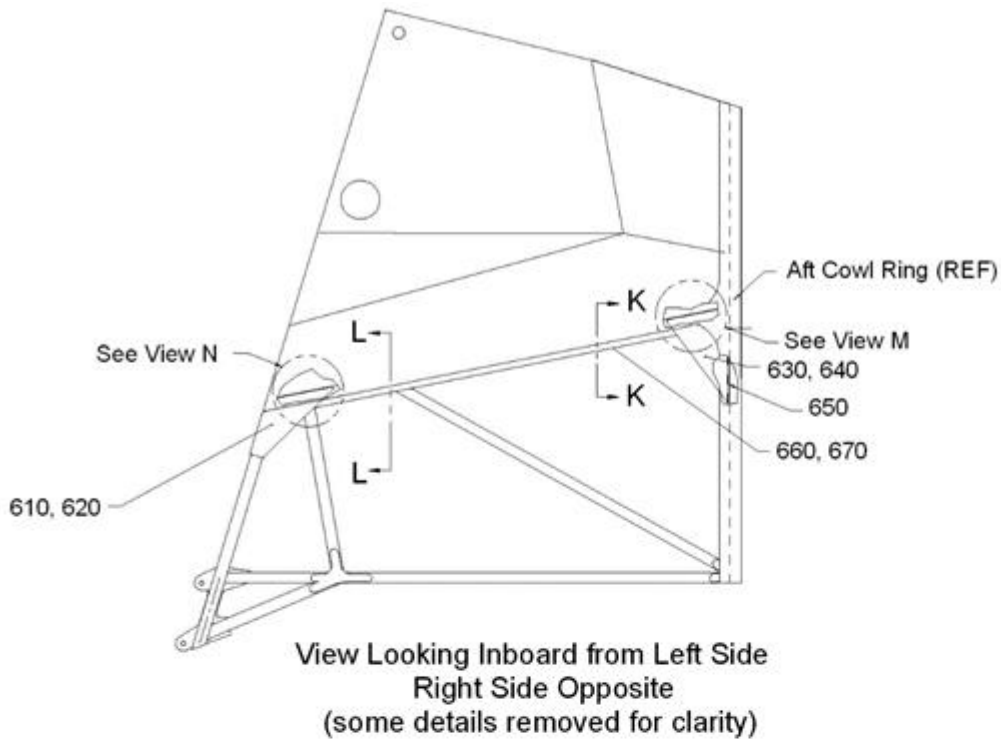


Detail H

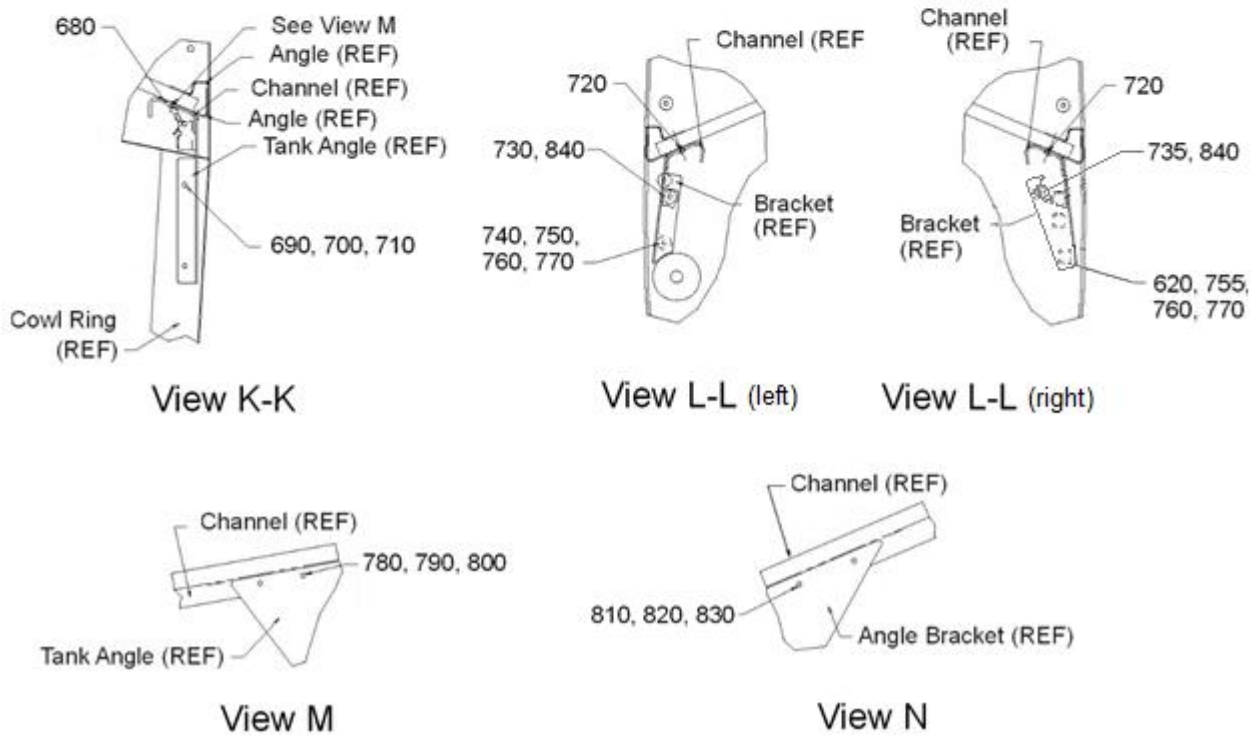
Sheet 3 of 4
480/480B: S/N 5001 and subsequent

FIGURE 5-2 FUEL BLADDER STRUCTURE ASSY/INSTALL- AEROTECH/UFCC FUEL CELLS

ENSTROM TH-28/480 SERIES ILLUSTRATED PARTS CATALOG



Support Beam Under Fuel Tank Structure



Sheet 4 of 4
480/480B: S/N 5001 and subsequent

FIGURE 5-2 FUEL BLADDER STRUCTURE ASSY/INSTALL- AEROTECH/UFCC FUEL CELLS

ENSTROM TH-28/480 SERIES ILLUSTRATED PARTS CATALOG

FIGURE 5-2 FUEL BLADDER STRUCTURE ASSY/INSTALL– AEROTECH/UFCC FUEL CELLS

ITEM NUMBER	PART NUMBER	DESCRIPTION	QTY PER ASSY	EFFECTIVITY		
				TH-28	480	480B
–	4122061-5	Bladder Structure Assy/Install	REF		X	X
10	4122086-11	. Fairing Fuel Bladder Structure (L/H)	1		X	X
20	4122005-39	. Angle Fuel Tank Attach	2		X	X
30	PR1440B1/2QT	. . Sealant: Fuel Tank (See Note 2)	A/R		X	X
30	PR1440B2	. . Sealant: Fuel Tank (Alternate to PR1440B1/2QT)	A/R		X	X
40	4122086-12	. Fairing Fuel Bladder Structure (R/H)	1		X	X
50	4122005-20	. Angle Fuel Tank Attach	2		X	X
60	4122005-43	. Angle Fuel Tank Attach	1		X	X
70	4122005-41	. Angle Fuel Tank Attach	1		X	X
80	4122005-19	. Angle Fuel Tank Attach	2		X	X
90	MS24694-S56	. Screw, Machine	26		X	X
100	AN960-10L	. Washer, Flat	26		X	X
110	AN364-1032A	. Nut, Hex	26		X	X
120	NAS1833-3-500	. Insert, Threaded	2		X	X
130	AN525-10R14	. Screw, Machine	2		X	X
140	AN960-10L	. Washer, Flat	2		X	X
150	AN364-1032A	. Nut, Hex	2		X	X
160	4122044-2	. Fuel Bladder Structure Assy (R/H)	1		X	X
170	AN525-10R12	. Screw, Machine	20		X	X
180	AN960-10L	. Washer, Flat	20		X	X
190	AN364-1032A	. Nut, Hex	20		X	X
200	4122044-1	. Fuel Bladder Structure Assy (L/H)	1		X	X
210	NAS1833-3-500	. Insert, Threaded	2		X	X
220	AN525-10R16	. Screw, Machine	2		X	X
230	AN970-3	. Washer, Flat (Use Under Head)	2		X	X
240	AN960-10L	. Washer, Flat (Use Under Nut)	2		X	X
250	AN364-1032A	. Nut, Hex	2		X	X
260*	1238716	. . Electrodag	A/R		X	X
270	4122005-49	. Washer	2		X	X
280	NAS1833-3-500	. Insert, Threaded	2		X	X
290	MS24694-S301	. Screw, Machine	2		X	X
300	AN364-428A	. Nut, Hex	2		X	X
310	AN960-416L	. Washer, Flat	2		X	X
320	4122038-11	. Shim, Fuel Bladder Structure	A/R		X	X
330	4122038-13	. Shim, Fuel Bladder Structure	A/R		X	X
340	4122038-15	. Shim, Fuel Bladder Structure	A/R		X	X

ENSTROM TH-28/480 SERIES ILLUSTRATED PARTS CATALOG

FIGURE 5-2 FUEL BLADDER STRUCTURE ASSY/INSTALL– AEROTECH/UFCC FUEL CELLS

ITEM NUMBER	PART NUMBER	DESCRIPTION	QTY PER ASSY	EFFECTIVITY		
				TH-28	480	480B
350	4122038-17	. Shim, Fuel Bladder Structure	A/R		X	X
360*	CP8-TB	. . Kopr- Shield,	A/R		X	X
370	NAS1833-3-500	. Insert, Threaded	20		X	X
380	4122062-11	. Flange Plate Fuel Structure	1		X	X
390	4122062-13	. Flange Plate Fuel Structure	1		X	X
400	EA9309NA	. . Adhesive; Structural Epoxy	A/R		X	X
410	28-12429-9	. Fitting, Drain Outlet	2		X	X
420	AN960-716	. Washer, Flat (Use on Far Side)	2		X	X
430	AN924-4D	. Nut, Tube	2		X	X
440	AN525-832R7	. Screw, Machine	10		X	X
450	AN960-8L	. Washer; Flat	10		X	X
460	AN364-832A	. Nut, Hex	10		X	X
470	AN526-1032R6	. Screw, Machine	8		X	X
480	NAS1068A3	. Nut Plate	13		X	X
490	CCR264SS-3-02	. Rivet	26		X	X
500	CR3212-4-03	. Rivet	9		X	X
510	CR3212-4-03	. Rivet	10		X	X
520	NAS1068A3	. Nut Plate	10		X	X
530	CCR264SS-3-02	. Rivet	2		X	X
540	CR3212-4-02	. Rivet	10		X	X
550	CR3212-4-03	. Rivet	10		X	X
560	4122047-19	. Angle Beam	1		X	X
570	4122047-20	. Angle Beam	1		X	X
580	4122047-17	. Angle Beam	1		X	X
590	4122047-18	. Angle Beam	1		X	X
600	MS20470AD4-4	. Rivet	4		X	X
610	4122085-13	. Angle Bracket Fuel Tank Support	1		X	X
620**	4122085-24	. Angle Bracket Fuel Tank Support	1		X	X
620	4122085-14	. Angle Bracket Fuel Tank Support (Superseded by 4122085-24)	1		X	X
630	4122085-15	. Tank Angle Fuel Structure	1		X	X
640	4122085-16	. Tank Angle Fuel Structure	1		X	X
650	4122047-17	. Angle Beam	1		X	X
660	4122085-21	. Channel Fuel Tank Support (LH)	1		X	X
670	4122085-22	. Channel Fuel Tank Support (RH)	1		X	X
680	4122047-19	. Angle Beam	1		X	X
690	MS27039-1-11	. Screw, Machine	3		X	X
700	AN960-10	. Washer, Flat	6		X	X
710	AN364-1032A	. Nut, Hex	3		X	X

ENSTROM TH-28/480 SERIES ILLUSTRATED PARTS CATALOG

FIGURE 5-2 FUEL BLADDER STRUCTURE ASSY/INSTALL– AEROTECH/UFCC FUEL CELLS

ITEM NUMBER	PART NUMBER	DESCRIPTION	QTY PER ASSY	EFFECTIVITY		
				TH-28	480	480B
720	CR3213-5-03	. Rivet	38		X	X
730	NAS1834A3-500	. Insert	1		X	X
735	NAS1834A3K500	. Insert	1		X	X
740	4122085-13	. Angle Bracket Fuel Tank Support	2		X	X
750	MS27039-1-16	. Screw, Machine	2		X	X
755	MS24694-S58	. Screw	2		X	X
760	AN960-10	. Washer, Flat	4		X	X
770	AN364-1032A	. Nut, Hex	2		X	X
780	MS27039-1-09	. Screw, Machine	4		X	X
790	AN960-10	. Washer, Flat	8		X	X
800	AN364-1032A	. Nut, Hex	4		X	X
810	MS27039-1-09	. Screw, Machine	4		X	X
820	AN960-10	. Washer, Flat	8		X	X
830	AN364-1032A	. Nut, Hex	4		X	X
840	EC-776	. . Sealant: Tank, Fuel Resistant (See Note 1)	A/R		X	X
850	EA9394	. . Adhesive: Structural Epoxy (See Note 3)	A/R		X	X
860	TF3056FR	. . Compound: Potting (See Note 4)	A/R		X	X

Note 1 Use EC-776 fire resistant tank sealant to coat the interior of the fuel bladder structure and the backwall.

Note 2 Use PR1440B1/2QT fuel tank sealant to seal the backwall to the structure joints and to the beam, cowl ring, and cabin.

Note 3 Pot inserts with EA9394 structural epoxy adhesive per SP-141.

Note 4 Edge fill with TF3056FR potting compound.

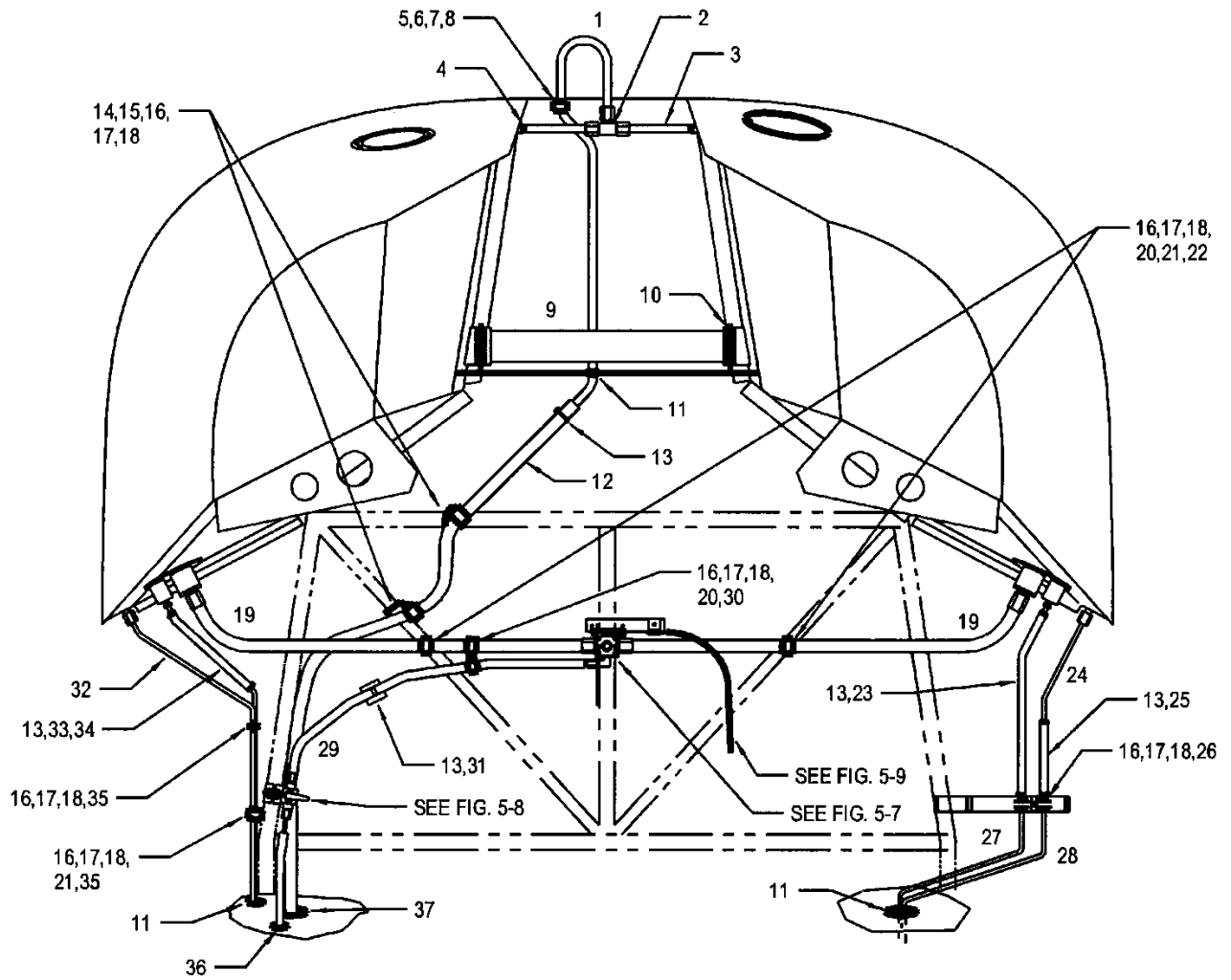
* Effectivity 480 S/N 5001, 480B S/N 5042 – 5197. No longer installed on 480B S/N 5198 and subsequent.

** Effectivity 480B S/N 5176 and subsequent. Retrofittable to 480 S/N 5001, 480B S/N 5042 and subsequent.

ENSTROM TH-28/480 SERIES ILLUSTRATED PARTS CATALOG

INTENTIONALLY LEFT BLANK

ENSTROM TH-28/480 SERIES ILLUSTRATED PARTS CATALOG

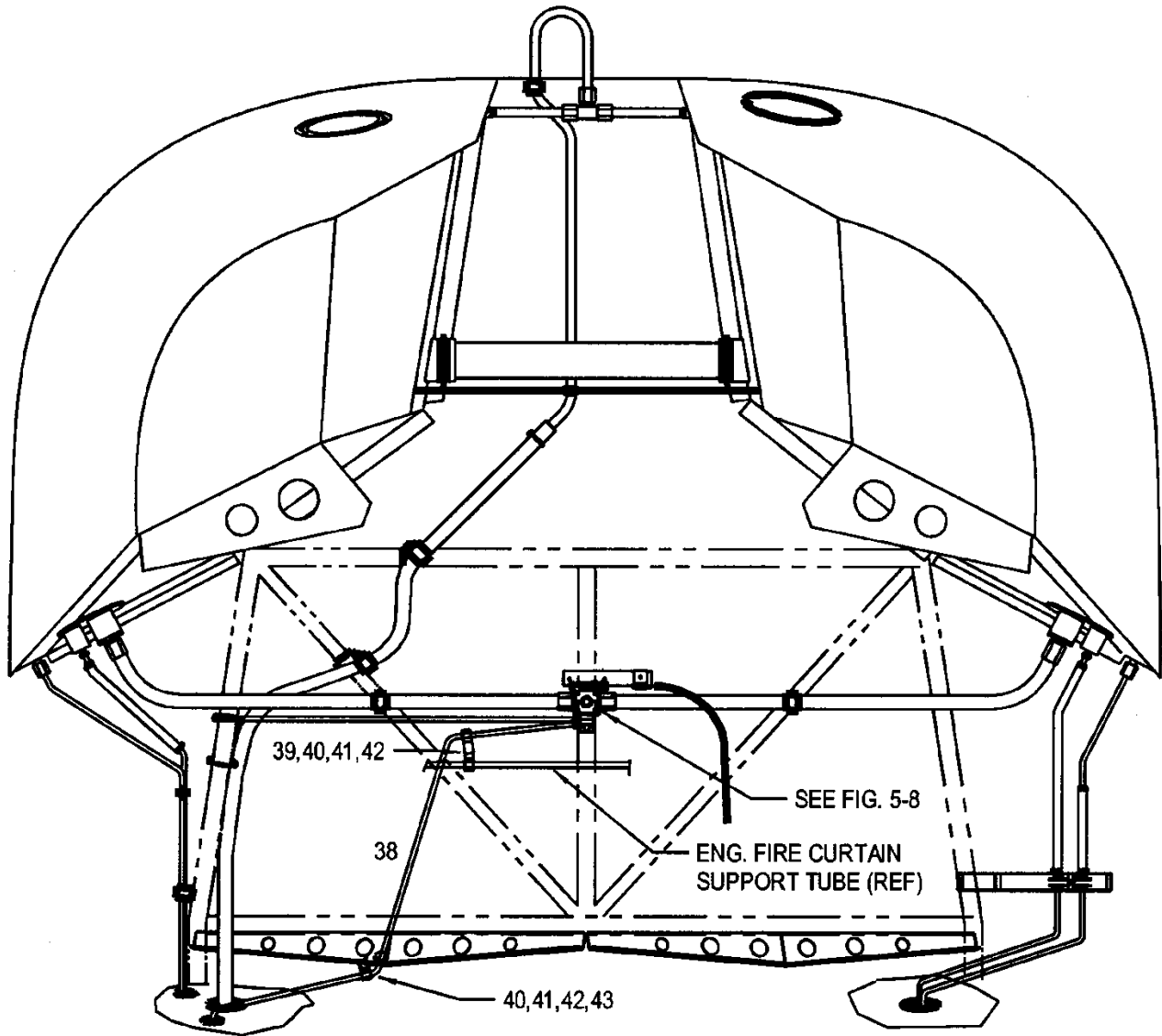


480/480B: S/N 5013-5032, 5039 through 5113.
 TH-28: 3007 and subs.

Sheet 1 of 3

FIGURE 5-5. FUEL LINE INSTALLATION – AEROTECH/UFCC FUEL CELLS

ENSTROM TH-28/480 SERIES ILLUSTRATED PARTS CATALOG

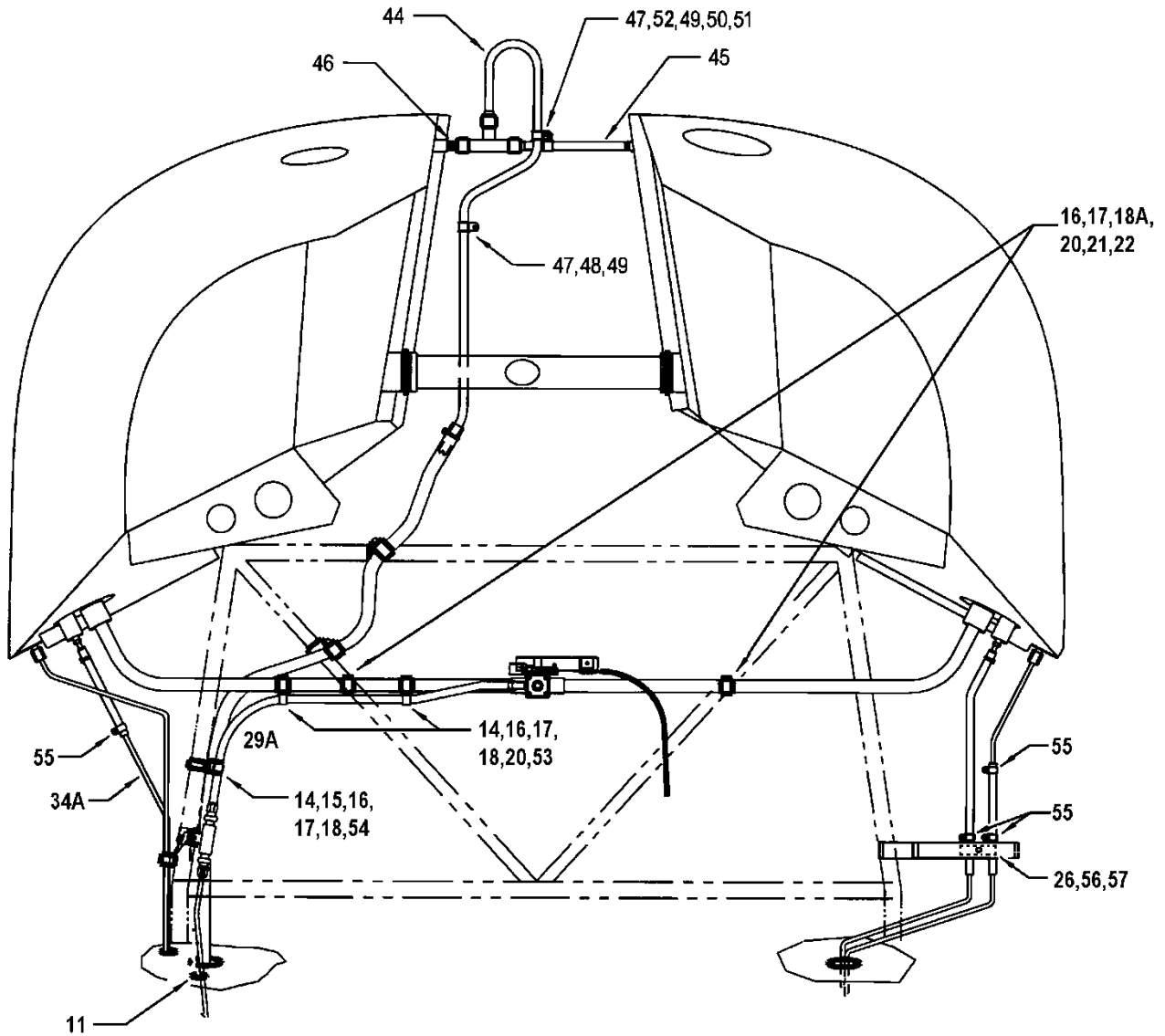


Same as Sheet 1 except as noted.

Sheet 2 of 3
480: S/N 5033-5038

FIGURE 5-5. FUEL LINE INSTALLATION – AEROTECH/UFCC FUEL CELLS

ENSTROM TH-28/480 SERIES ILLUSTRATED PARTS CATALOG



Sheet 3 of 3
480/B: S/N 5114 and subsequent

Same as Sheet 1 except as noted.

480B equipped with increased cooling kit, P/N 4230031

FIGURE 5-5. FUEL LINE INSTALLATION – AEROTECH/UFCC FUEL CELLS

ENSTROM TH-28/480 SERIES ILLUSTRATED PARTS CATALOG

FIGURE 5-5. FUEL LINE INSTALLATION – AEROTECH/UFCC FUEL CELLS

ITEM NUMBER	PART NUMBER	DESCRIPTION	QTY PER ASSY	EFFECTIVITY		
				TH-28	480	480B
1	4122030-5	. Vent Line	1	X	X	X
2	AN824-8D	. Tee	1	X	X	X
3	4122030-7	. Vent Line	2	X	X	X
4	NAS1922-0100-3	. Clamp	2	X	X	X
5	AN520-10R16	. Screw	1	X	X	X
6	SM21919F8	. Clamp	1	X	X	X
7	AN960-10L	. Washer	1	X	X	X
8	AN364-1032A	. Nut	1	X	X	X
9	4122059-3	. Crossover	1	X	X	X
10	NAS1922-0225-3	. Clamp	2	X	X	X
11	MS35489-14	. Grommet	3	X	X	X
12	4122035-5	. Hose Assembly	1	X	X	X
–	801-8	. . Hose	50"	X	X	X
–	4120038-25	. . Placard	1	X	X	X
13	SST1M-MP	. Tie Wrap	8	X	X	X
14	MS21919WCJ14	. Clamp	2	X	X	X
15	MS21919WCJ16	. Clamp	2	X	X	X
16	MS35206-246	. Screw	9	X	X	X
17	NAS1149FN816P	. Washer	18	X	X	X
18	MS21042-08	. Nut	9	X	X	X
18A	S8P150	. Plus Nut	2	X	X	X
19	4122025-3	. Fuel Line	2	X	X	X
20	MS21919WCJ18	. Clamp	3	X	X	X
21	AN743-13	. Bracket	3	X	X	X
22	CR3213-4-02	. Rivet	4	X	X	X
23	4122035-3	. Hose Assembly	1	X	X	X
–	801-4	. . Hose	16"	X	X	X
–	4120038-23	. . Placard	1	X	X	X
24	4122029-3	. Drain Line	1	X	X	X
25	4122035-1	. Drain Hose Assembly	1	X	X	X
26	MS21919WCJ8	. Clamp	2	X	X	X
27*	4122037-14	. Drain Line	1		X	X
27	4122037-12	. Drain Line (Obsolete)	1	X	X	X
28*	4122037-13	. Drain Line	1		X	X
28	4122037-11	. Drain Line (Obsolete)	1	X	X	X
29	LW12878-4S-260	. Hose Assembly	1	X	X	X

ENSTROM TH-28/480 SERIES ILLUSTRATED PARTS CATALOG

FIGURE 5-5. FUEL LINE INSTALLATION – AEROTECH/UFCC FUEL CELLS

ITEM NUMBER	PART NUMBER	DESCRIPTION	QTY PER ASSY	EFFECTIVITY		
				TH-28	480	480B
29A	4122026-9	. Hose Assembly	1		X	X
30	MS21919WF10	. Clamp	1	X	X	X
31	ABMS-A	. Mount	1	X	X	X
32	4122029-1	. Drain Line Assembly	1	X	X	X
33	4122035-1	. Drain Hose Assembly	1	X	X	X
-	801-4	. . Hose	12"	X	X	X
-	4120038-23	. . Placard	1	X	X	X
34	4122029-15	. Drain Line	1	X	X	X
34A	4122029-7	. Drain Line Assembly	1		X	X
35	444-4-2-6	. Clamp	2	X	X	X
36	MS35489-14	. Grommet	1	X	X	X
37	MS35489-20	. Grommet	1	X	X	X
38	4122028-3	. Drain Line	1	X	X	X
39	MS21919WF4	. Clamp	2	X	X	X
40	AN525-8R7	. Screw	2	X	X	X
41	AN960-8L	. Washer	4	X	X	X
42	AN364-832A	. Nut	2	X	X	X
43	786-4-CU	. Clamp	1	X	X	X
44	4122030-9	. Vent Line Assembly	1		X	X
45	4122030-105	. Vent Line Assembly	1		X	X
46	4122030-101	. Vent Line Assembly	1		X	X
47	MS21919WCJ8	. Clamp	3		X	X
48	MS35206-244	. Screw	2		X	X
49	NAS1149FN816P	. Washer	3		X	X
50	MS35338-244	. Lock Washer	1		X	X
51	MS21042-08	. Nut	1		X	X
52	MS35206-246	. Screw	1		X	X
53	MS35333-40	. Lock Washer	2		X	X
54	MS21919WCJ12	. Clamp	1		X	X
55	#1	. Clamp	4		X	X
56	AN3-4A	. Bolt	1		X	X
57	NAS1149F0332P	. Washer	1		X	X

* Effectivity S/N 5147 and subsequent.

ENSTROM TH-28/480 SERIES ILLUSTRATED PARTS CATALOG

FIGURE 5-6. FUEL LINE INSTALLATION – AERAZUR FUEL CELLS

ITEM NUMBER	PART NUMBER	DESCRIPTION	QTY PER ASSY	EFFECTIVITY		
				TH-28	480	480B
1*	4122030-5	. Vent Line	1	X	X	
2*	4122014-15	. Vent Tee Fitting	1	X	X	
3▲	60434	. Vent Hose Assembly	1	X	X	
4▲	76642	. O-Ring	2	X	X	
5	500130	. Clamp Set	2	X	X	
6▲	65143	. Clamping Band	2	X	X	
7	QS200-M10S	. Clamp	2	X	X	
8▲	60652	. Crossover Line Assembly	1	X	X	
9▲	76638	. O-Ring	2	X	X	
10	500150	. Clamp Set	2	X	X	
11▲	76640	. Clamping Band	2	X	X	
12	QS200-M32S	. Clamp	2	X	X	
13	AN520-10R16	. Screw	1	X	X	
14	MS21919WDF14	. Clamp	1	X	X	
15	AN960-10L	. Washer	1	X	X	
16	AN364-1032A	. Nut	1	X	X	
17*	MS35489-14	. Grommet	3	X	X	
18*	801-8	. Hose	50"	X	X	
19	SST2S-MP	. Tie Wrap	8	X	X	
20	MS21919WF14	. Clamp	2	X	X	
21	MS21919WF16	. Clamp	2	X	X	
22	AN515-8R7	. Screw	9	X	X	
23	AN960-8L	. Washer	18	X	X	
24	AN364-832A	. Nut	9	X	X	
25	4122025-3	. Fuel Line	2	X	X	
26	MS21919WF18	. Clamp	3	X	X	
27	AN743-13	. Clip	3	X	X	
28	CR3213-4-02	. Rivet	4	X	X	
29	4122035-13	. Hose	1	X	X	
30	4122029-3	. Drain Line	1	X	X	
31	4122035-13	. Hose	1	X	X	

ENSTROM TH-28/480 SERIES ILLUSTRATED PARTS CATALOG

FIGURE 5-6. FUEL LINE INSTALLATION – AERAZUR FUEL CELLS

ITEM NUMBER	PART NUMBER	DESCRIPTION	QTY PER ASSY	EFFECTIVITY		
				TH-28	480	480B
32	MS21919WF4	. Clamp	2	X	X	
33	4122037-12	. Drain Line	1	X	X	
33**	4122037-14	. Drain Line	1	X	X	
34	4122037-11	. Drain Line	1	X	X	
34**	4122037-13	. Drain Line	1	X	X	
35*	LW12878-4S-260	. Hose Assembly	1	X	X	
36	MS21919WF10	. Clamp	1	X	X	
37	ABMS-A	. Mount	1	X	X	
38	4122029-1	. Drain Line	1	X	X	
39	4122035-11	. Hose	1	X	X	
40	4122029-15	. Drain Line	1	X	X	
41	444-4-2-6	. Clamp	2	X	X	
42	MS35489-7	. Grommet	1	X	X	
43	MS35489-20	. Grommet	1	X	X	

* Early production vent line and sump drain line installations are obsolete. Replace using the items for later production aircraft.

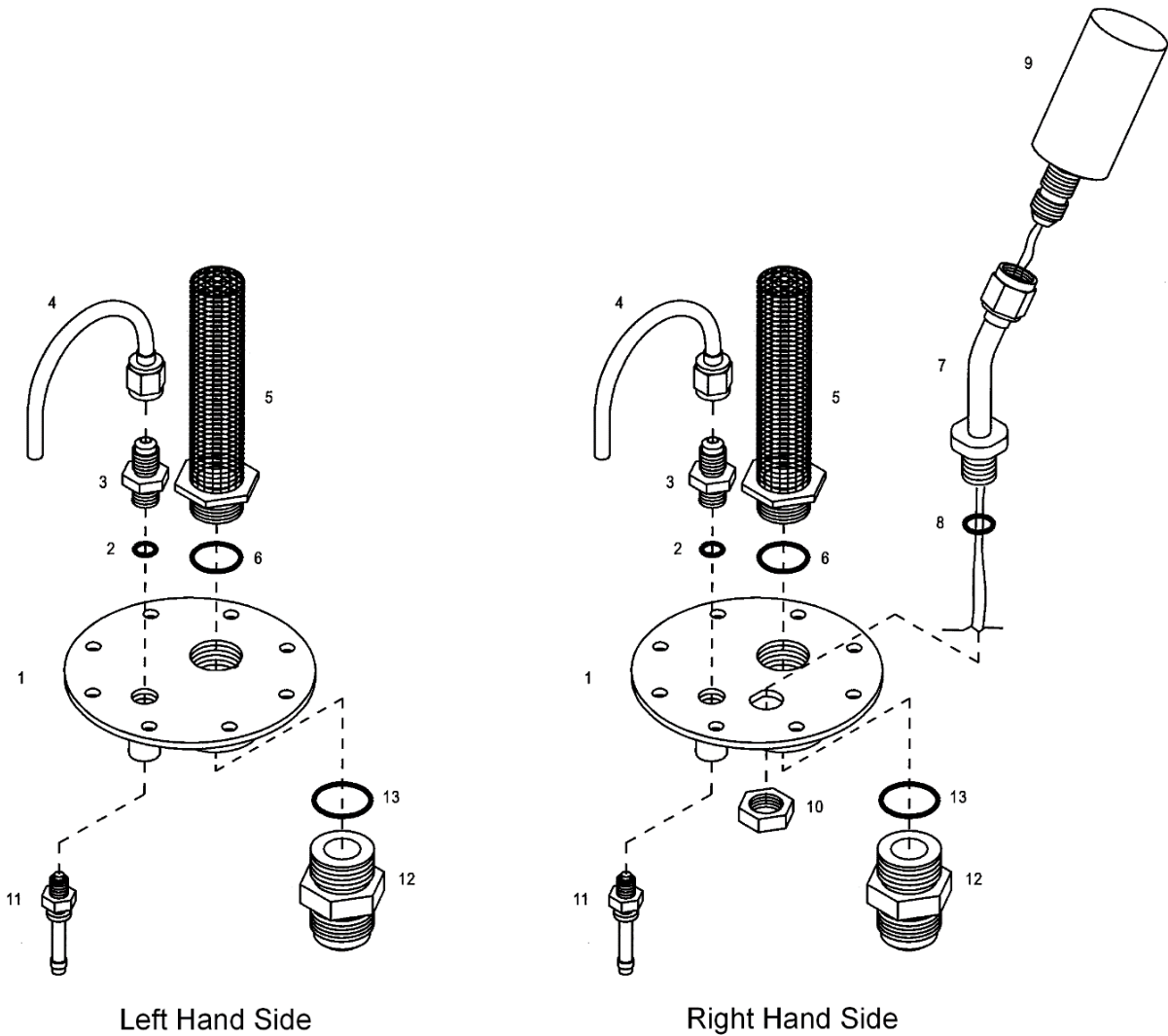
** Effectivity S/N 5147 and subsequent.

▲ Not applicable to aircraft modified to Aerotech/UFCC fuel cells. (Refer to Figure 5-5 for item replacement.)

ENSTROM TH-28/480 SERIES ILLUSTRATED PARTS CATALOG

INTENTIONALLY LEFT BLANK

ENSTROM TH-28/480 SERIES ILLUSTRATED PARTS CATALOG



480/480B: S/N 5013 and Subs.
 (earlier S/N modified to Aerotech/UFCC fuel cells)
 TH-28: 3007 and Subs.

FIGURE 5-7. FLANGED PLATE ASSEMBLY – AEROTECH/UFCC FUEL CELLS

ENSTROM TH-28/480 SERIES ILLUSTRATED PARTS CATALOG

FIGURE 5-7. FLANGED PLATE ASSEMBLY – AEROTECH/UFCC FUEL CELLS

ITEM NUMBER	PART NUMBER	DESCRIPTION	QTY PER ASSY	EFFECTIVITY		
				TH-28	480	480B
–**	4122057-3	. Flanged Plate Assembly, L/H	1	X	X	X
–**	4122057-4	. Flanged Plate Assembly, R/H	1	X	X	X
1	4122053-17	.. Flanged Plate (-3 Assy)	1	X	X	X
1	4122053-19	.. Flanged Plate (-4 Assy)	1	X	X	X
2*	MS29513-012	.. O-Ring	1	X	X	X
2*	MS29513-110	.. O-Ring (Superseded by MS29513-012)	1	X	X	X
3	4122056-11	.. Sump Fitting	1	X	X	X
4	4122060-1	.. Siphon Tube Assembly	1	X	X	X
–**	MS20995C32	.. Safety Wire	10 in.	X	X	X
5	4122055-3	.. Fuel Strainer Assembly	1	X	X	X
6*	MS29513-116	... O-Ring	1	X	X	X
7	4122070-1	.. Support Tube Assembly (-4 Assy)	1	X	X	X
8	MS29513-017	.. O-Ring (-4 Assy)	1	X	X	X
9	ECD4046-1	.. Float Switch (-4 Assy)	1	X	X	X
–	1-480319-0	... Housing: Cap, 2P Pin Contact	1	X	X	X
–	60618-1	... Contact: Pin	2	X	X	X
10	AN924-6D	.. Nut (-4 Assy)	1	X	X	X
11	4122034-11	.. Valve	1	X	X	X
–**	PR1440B2	... Sealant	1	X	X	X
12●	4129054-41	.. Fitting Assembly	1	X	X	X
12†	4129054-13	.. Fitting Assembly (Superseded by 4129054-41)	1	X	X	X
12	4129054-3	.. Fitting Assembly (Superseded by 4129054-13)	1	X	X	X
13	MS28778-12	... O-Ring	1	X	X	X

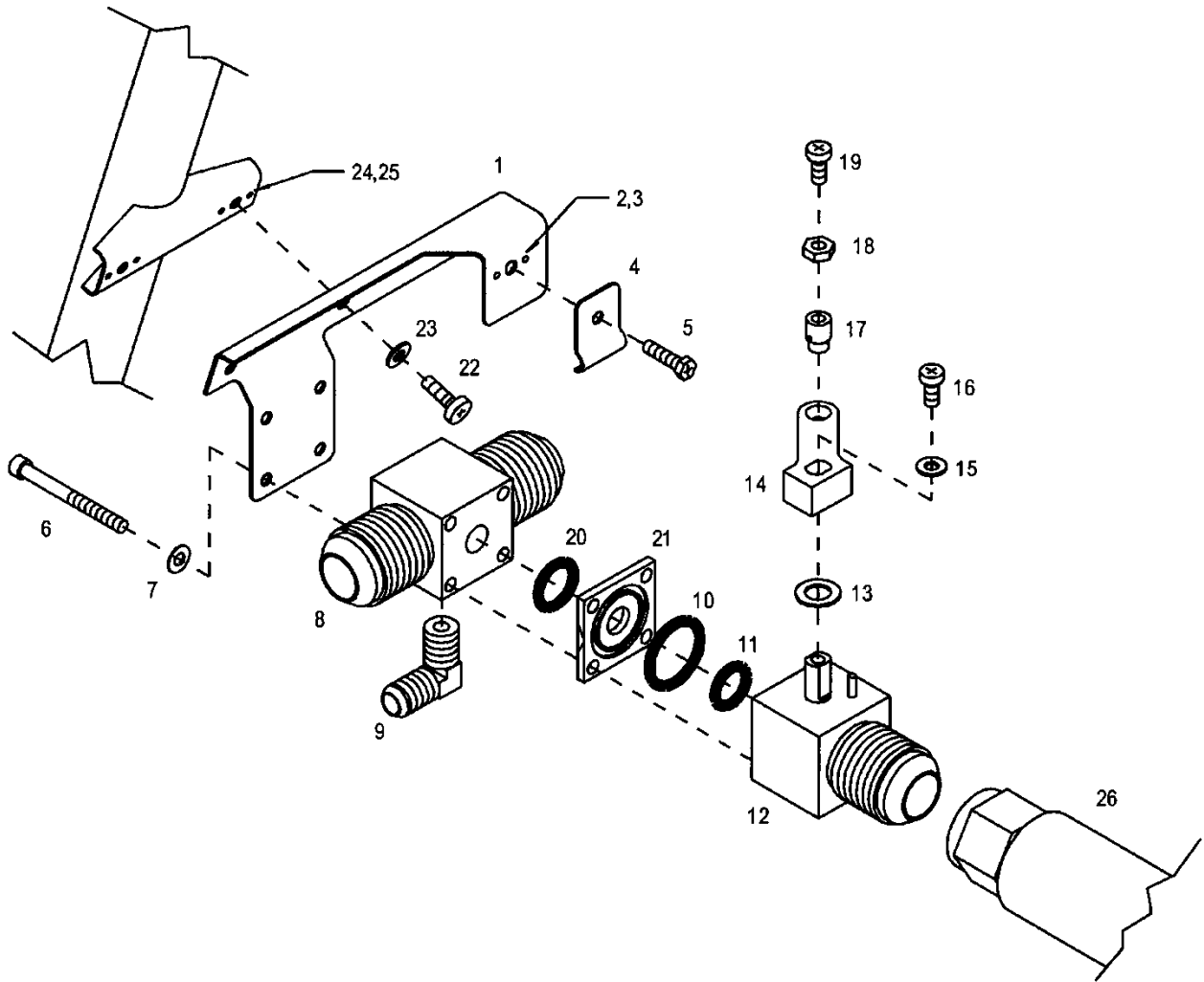
* Effectivity S/N 5088 and subsequent. Retrofittable to 480 S/N 5001, 480B S/N 5042 and subsequent.

** Effectivity S/N 5147 and subsequent. Retrofittable to 480 S/N 5001, 480B S/N 5042 and subsequent.

† Effectivity 480B S/N 5143 and subsequent. Retrofittable to 480 S/N 5001, 480B S/N 5042 and subsequent.

● Effectivity 480B S/N 5194 and subsequent. Retrofittable to 480 S/N 5001, 480B S/N 5042 and subsequent.

ENSTROM TH-28/480 SERIES ILLUSTRATED PARTS CATALOG



480: S/N 5001-5032
TH-28: 3006

Sheet 1 of 3

FIGURE 5-8. FUEL SHUTOFF VALVE ASSEMBLY

ENSTROM TH-28/480 SERIES ILLUSTRATED PARTS CATALOG

SECTION 6 – TABLE OF CONTENTS

	Cover	6-1
	Table of Contents	6-1.2
6-1	Engine Buildup Assembly	6-2
6-1.1	Fire Curtain Installation	6-11.3
6-2	Starter/Generator Cooling Installation	6-12
6-3	Engine Air Induction System	6-14
6-4	Particle Separator/Scav-Air Line Installation	6-18
6-5	Scav-Air/Anti-Ice Control Panel Installation	6-20
6-6	Engine Power Control Installation	6-22
6-7	Engine Idle Stop Assembly	6-26
6-7.1	Engine Idle Stop Assembly – Dual Start Control	6-28
6-7.2	Engine Idle Stop Assembly – Dual Start Control Detail	6-30
6-7.3	Engine Idle Stop Assembly – Dual Start Control Relay Detail	6-32
6-8	Droop Compensator Installation	6-34
6-9	Engine Oil System	6-37
6-10	Oil Cooler Blower Installation	6-42
6-11	Oil Cooler Ducting TH-28 SN 3006, 480 SN 5001-5022	6-46
6-12	Oil Cooler Ducting TH-28 SN 3007, 480 SN 5023 and Subs	6-48
6-13	Eductor Installation	6-52
6-14	Eductor Installation (Obsolete)	6-54

ENSTROM TH-28/480 SERIES ILLUSTRATED PARTS CATALOG

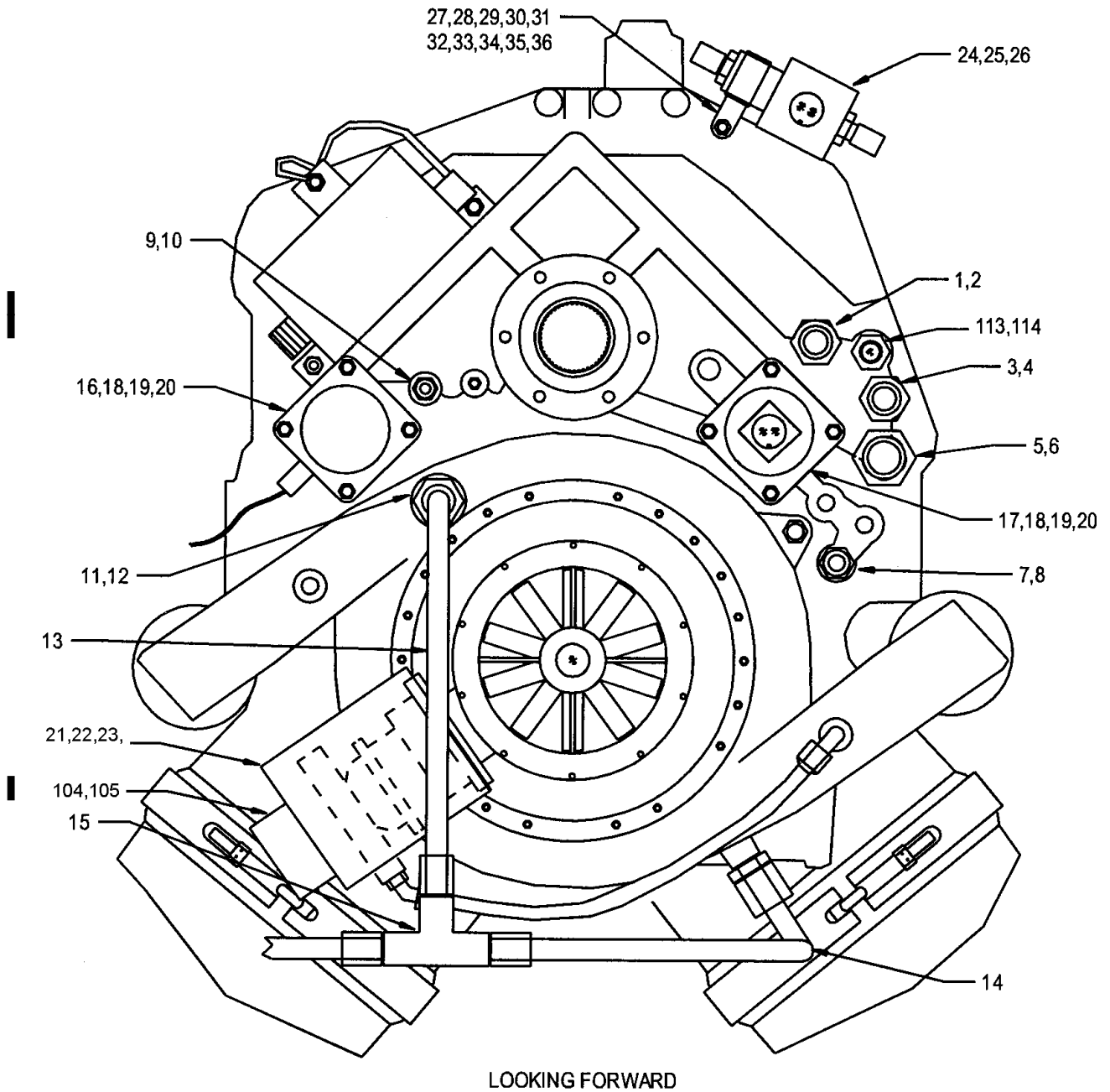


FIGURE 6-1. ENGINE BUILDUP ASSEMBLY

Sheet 1 of 5

ENSTROM TH-28/480 SERIES ILLUSTRATED PARTS CATALOG

FIGURE 6-10. OIL COOLER BLOWER INSTALLATION

ITEM NUMBER	PART NUMBER	DESCRIPTION	QTY PER ASSY	EFFECTIVITY		
				TH-28	480	480B
-	4129101-905	. Impeller Shaft Assembly (Externally mounted drive coupling) Superseded by 4129101-9	1	X	X	
-*	4129101-9	. Impeller Shaft Assembly (A/C Equipped) Internally mounted drive coupling .	1	X	X	X
-**	4129101-907	. Impeller Shaft Assembly (A/C Equipped) Externally mounted drive coupling (Superseded by 4129101-101)	1		X	
-	4129101-101	. Impeller Shaft Assembly (A/C Equipped) Internally mounted drive coupling (Superseded by 4129101-105)	1		X	
→	4129101-105	. Impeller Shaft Assembly (A/C Equipped) Internally mounted drive coupling. Preferred Part.	1	X	X	X
-	4129101-103	. Impeller Shaft Assembly (A/C Equipped) Internally mounted drive coupling (Alternate for 4129101-105)	1	X	X	X
1	4129101-5	.. Impeller Shaft Assembly (4129101-905)	1	X	X	
1	4129129-1	.. Impeller Shaft Assembly (4129101-9)	1	X	X	X
1	4129101-7	.. Impeller Shaft Assembly (4129101-907)	1		X	
1	4129129-3	.. Impeller Shaft Assembly (4129101-101)	1		X	
1	4129129-5	.. Impeller Shaft Assembly (4129101-103, -105)	1	X	X	X
2	4129126-13	... Coupling (4129101-905, -907)	1	X	X	
2	4129126-15	... Coupling (4129101-9, -101, -103, -105)	1	X	X	X
3	AN386-2-9A	... Taper Pin (4129101-905, -907)	1	X	X	
3±	4130541-11	... Taper Pin (Alternate to AN386-2-9A)	1	X	X	
3±	4130541-13	... Taper Pin (Alternate to AN386-2-9A)	1	X	X	
3◀	4130541-15	... Taper Pin (Oversize Ø.3742 in)	1		X	X
3◀	4130541-17	... Taper Pin (Oversize Ø.3842 in)	1		X	X
3	AN386-2-8A	... Taper Pin (4129101-9, -103, -105)	1	X	X	X
3	AN386-2-8A	... Taper Pin (4129101-101)	2		X	
4	AN960-10	... Washer (4129101-905, -907, -9, -103, -105)	1	X	X	X
4	AN960-10	... Washer (4129101-101)	2		X	
4	AN975-3	... Washer, Taper Pin	A/R	X	X	X
5	AN364-1032A	... Nut (4129101-905, -907, -9, -103, -105)	1	X	X	X
5	AN364-1032A	... Nut (4129101-101)	2		X	
6	ECD4011-13	.. Bearing	2	X	X	X
7	N5100-118	.. Retaining Ring	2	X	X	X
8	4129103-11	.. Bearing Housing	2	X	X	X

ENSTROM TH-28/480 SERIES ILLUSTRATED PARTS CATALOG

FIGURE 6-10. OIL COOLER BLOWER INSTALLATION

ITEM NUMBER	PART NUMBER	DESCRIPTION	QTY PER ASSY	EFFECTIVITY		
				TH-28	480	480B
9	AN3-5A	. . Bolt	2	X	X	X
10	NAS1149F0332P	. . Washer	4	X	X	X
11	4129119-11	. . Spacer	2	X	X	X
12	MS21044N3	. . Nut	2	X	X	X
13	AN3-7A	. Bolt	4	X	X	X
14	AN960-10L	. Washer	12	X	X	X
15	4129117-11	. Shim, .007"	A/R	X	X	X
15	4129117-13	. Shim, .020"	A/R	X	X	X
15	4129117-15	. Shim, .032"	A/R	X	X	X
15	4129117-17	. Shim, .063"	A/R	X	X	X
15	4129117-19	. Shim, .125"	A/R	X	X	X
15	4129117-21	. Shim, .250"	A/R	X	X	X
16	AN960-10	. Washer	A/R	X	X	X
16	AN960-10L	. Washer	A/R	X	X	X
17	AN365-1032A	. Nut	4	X	X	X
18	4129104-21	. Bearing Housing Support	2	X	X	X
19A	AN3-5A	. Bolt	2	X	X	X
19B	AN3-15A	. Bolt	2	X	X	X
20	AN960-10L	. Washer	4	X	X	X
21●●	4129102-13	. Short Shaft Assembly	1	X	X	X
21Δ	4129102-15	. Short Shaft Assembly	1		X	
21†	4129102-105	. Short Shaft Assembly (Superseded by 4129102-13)	1	X	X	X
21	4129102-107	. Short Shaft Assembly (Superseded by 4129102-13)	1	X	X	X
22	28-01041-3	. Flex Pack	2	X	X	X
23	AN4-7A	. Bolt	8	X	X	X
24	AN960-416	. Washer	A/R	X	X	X
24	AN960-416L	. Washer	A/R	X	X	X
25	28-13621-13	. Flex Coupling Washer	16	X	X	X
26	AN365-428A	. Nut	8	X	X	X

* TH-28, S/N 3007 and subsequent; 480, S/N 5037 through 5041.

** 480, S/N 5022 only.

+ 480, S/N 5042 and subsequent.

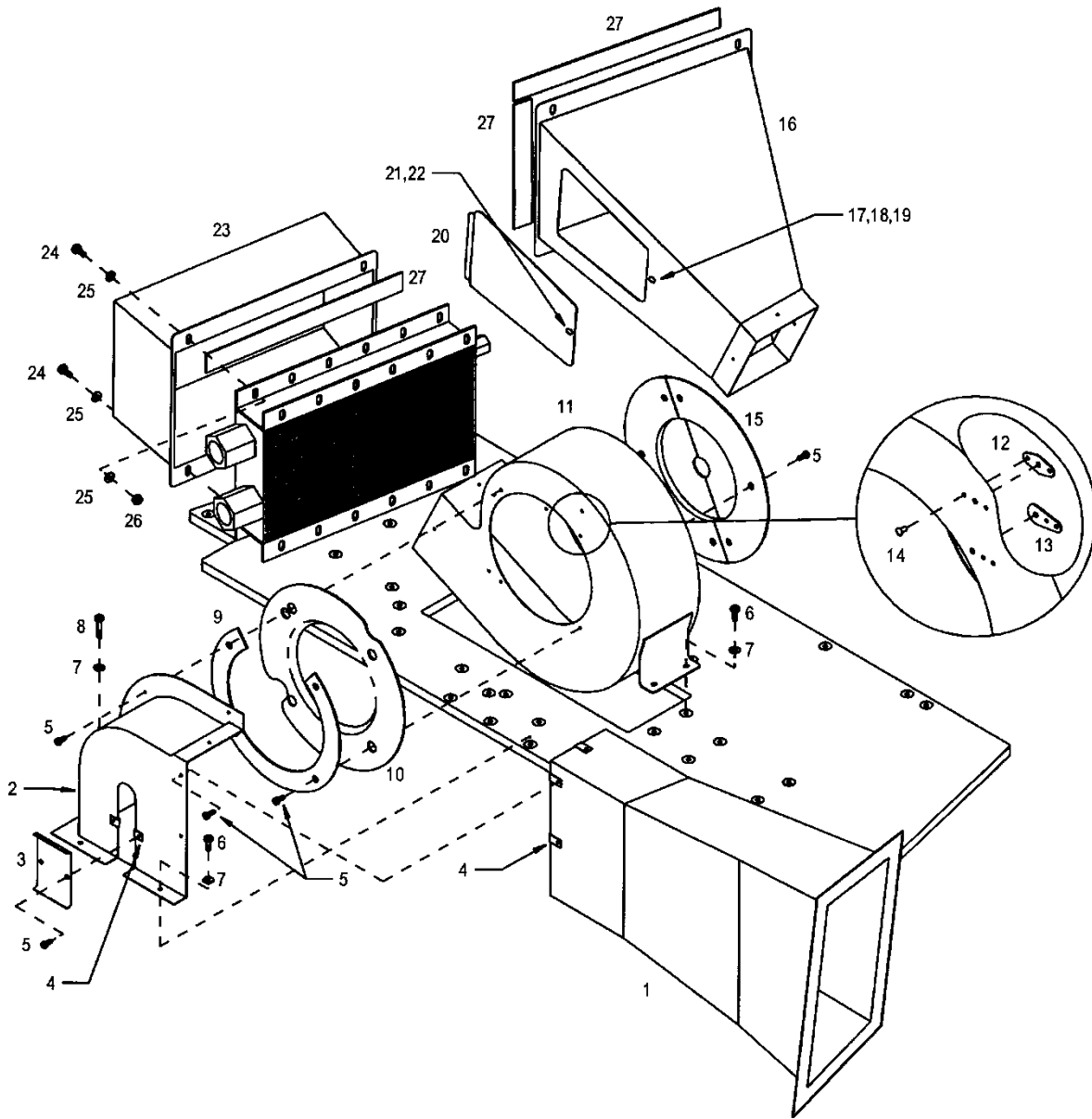
† 480, S/N 5001 only.

● Acceptable alternative on 480/480B S/N 5001 – 5060.

ENSTROM TH-28/480 SERIES ILLUSTRATED PARTS CATALOG

- 480B, S/N 5156 and subsequent.
- ± On S/N 5148 and subsequent: If the hole for the taper pin is too deep, use 4130541-11 or 4130541-13 oversized taper pins.
- Δ S/N 5001 only
- █ ◀ Customer Service Use only: Eligibility TH-28/480/480B, all S/N.

ENSTROM TH-28/480 SERIES ILLUSTRATED PARTS CATALOG



See Figure 6-10 for aircraft retrofitted with latest ducting configuration.

FIGURE 6-11. OIL COOLER DUCTING TH-28 SN 3006, 480 SN 5001-5022

ENSTROM TH-28/480 SERIES ILLUSTRATED PARTS CATALOG

SECTION 7 – TABLE OF CONTENTS

	Cover	7-1
	Table of Contents	7-1.2
7-1	Overrunning Clutch Assembly	7-2
7-1.1	Clutch Vent Reservoir Assembly	7-3
7-2	Drive Shaft Assembly	7-4
7-3	Drive System Installation	7-6
7-4	Lower Pulley Assembly (Grease Lubricated)	7-10
7-5	Lower Pulley Assembly (Oil Lubricated)	7-14
7-6	Upper Pulley Assembly (Keyed Pinion)	7-18
7-6.1	Upper Pulley Assembly (Splined Pinion)	7-20.2
7-7	Main Rotor Transmission Installation	7-22
7-8	Main Rotor Transmission Assembly (Keyed Pinion)	7-24
7-8.1	Main Rotor Transmission Assembly (Splined Pinion)	7-26.2
7-8.2	Main Rotor Transmission Seal Retainer Assembly	7-27.1
7-9	Main Rotor Transmission Filtration/Cooling System	7-28
7-10	Tail Rotor Drive Shaft Installation	7-32
7-11	Tail Rotor Transmission Assembly	7-36

ENSTROM TH-28/480 SERIES ILLUSTRATED PARTS CATALOG

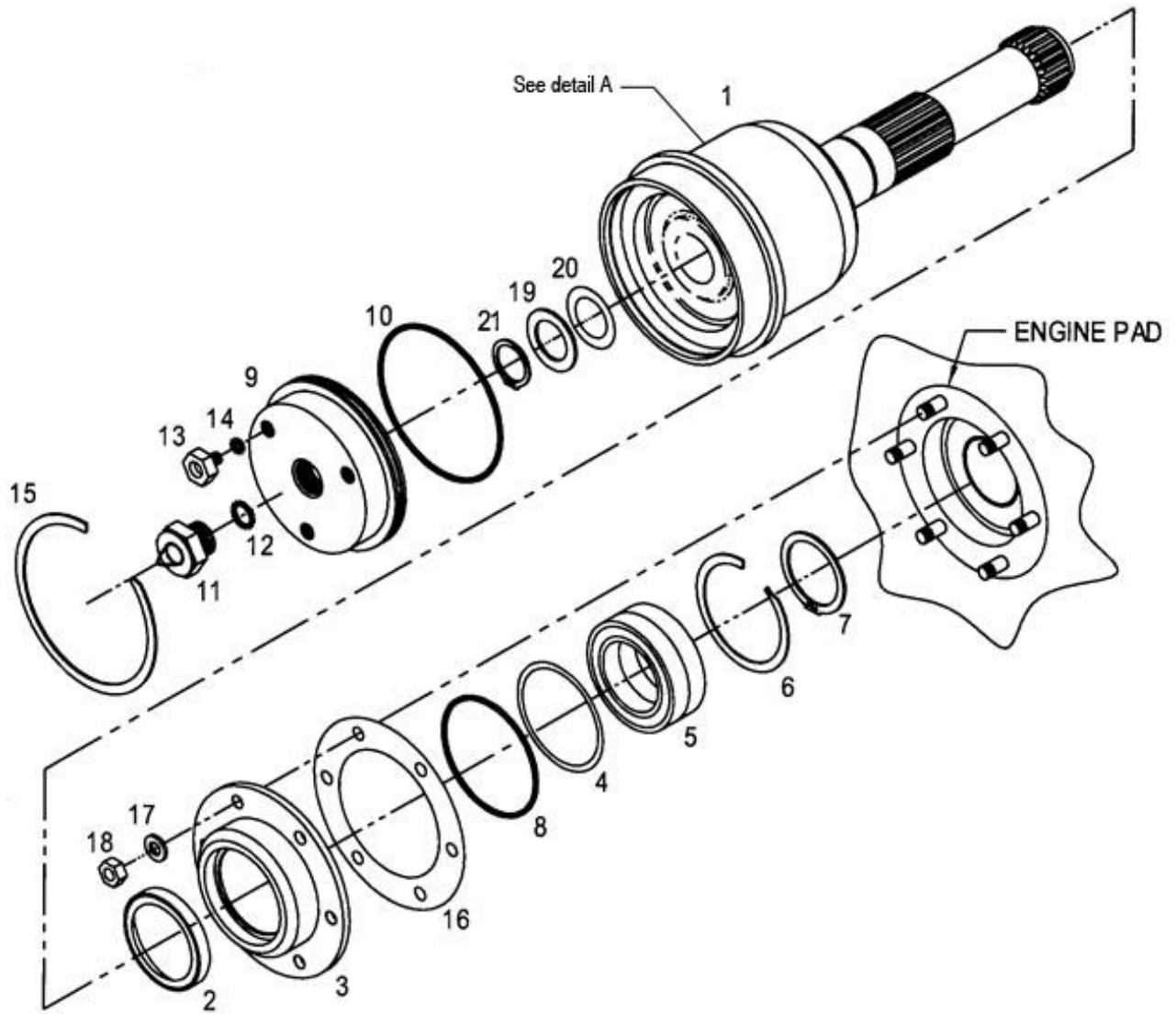


FIGURE 7-1. OVERRUNNING CLUTCH ASSEMBLY

ENSTROM TH-28/480 SERIES ILLUSTRATED PARTS CATALOG

SECTION 8 – TABLE OF CONTENTS

	Cover	8-1
	Table of Contents	8-1.2
8-1	Main Rotor Hub Assembly - Grease Lubricated	8-2
8-2	Main Rotor Hub Assembly - Oil Lubricated	8-6
8-3	Main Rotor Blade and Retention Assembly	8-10
8-4	Retention Assembly/Flapping Pin Installation	8-16
8-5	Hydraulic Damper Assembly	8-18
8-6	Main Rotor Damper Installation	8-22
8-7	Tail Rotor Assembly	8-24

ENSTROM TH-28/480 SERIES ILLUSTRATED PARTS CATALOG

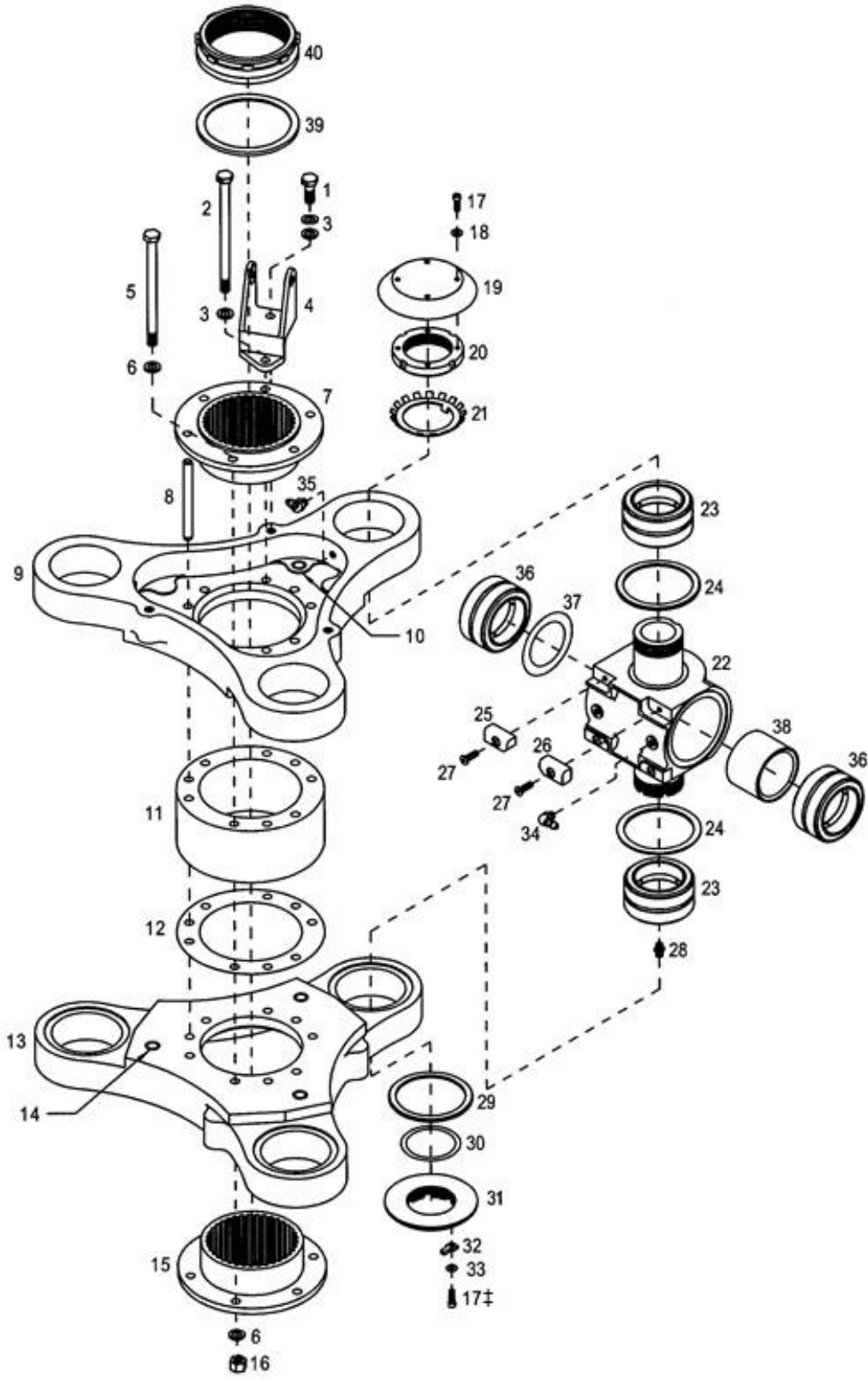


FIGURE 8-1. MAIN ROTOR HUB ASSEMBLY – GREASE LUBRICATED

ENSTROM TH-28/480 SERIES ILLUSTRATED PARTS CATALOG

FIGURE 8-1. MAIN ROTOR HUB ASSEMBLY – GREASE LUBRICATED

ITEM NUMBER	PART NUMBER	DESCRIPTION	QTY PER ASSY	EFFECTIVITY		
				TH-28	480	480B
–●	28-14219-7	. . Hub Center Section Assembly	1	X	X	
–*	28-14219-3	. . Hub Center Section Assembly (Superseded by 28-14219-7)	1	X	X	
1	AN5H-6A	. . Bolt	3	X	X	
2●●	AN5H-45A	. . Bolt	3	X	X	
2	AN5H-46A	. . Bolt (Superseded by AN5H-45A)	9	X	X	
3♦	NAS1149D0563H	. . Washer	9	X	X	
3†●●	AN960D516L	. . Washer (Superseded by NAS1149D0563H)	12	X	X	
3	AN960D516	. . Washer (Superseded by AN960D516L)	6	X	X	
4	28-14202-1	. . Bracket Assembly	3	X	X	
–	28-14250-1	. . . Flanged Bushing	2	X	X	
5●●	AN5-43A	. . Bolt	3	X	X	
5	AN5-44A	. . Bolt (Superseded by AN5-43A)	3	X	X	
6♦	NAS1149F0563P	. . Washer	6		X	
6♦	NAS1149F0532P	. . Washer (Under head of AN5-43A)	3		X	
6●●	AN960-516L	. . Washer (Superseded by NAS1149F0563P)	18	X	X	
6	AN960-516	. . Washer (Superseded by AN960-516L)	21	X	X	
7	28-14224-1	. . Shaft Adapter	1	X	X	
8	28-14244-1	. . Pin	3	X	X	
9●	28-14280-3	. . Hub Plate, Upper (Used with 28-14219-3 and Hydraulic Damper, 28-14375-107)	1	X	X	
9●	28-14280-5	. . Hub Plate, Upper (Used with 28-14219-7 and Hydraulic Damper, 28-14375-103)	1	X	X	
10	28-14252-1	. . . Bushing (Used with 28-14280-3)	3	X	X	
10	28-14359-11	. . . Bushing (Used with 28-14280-5)	3	X	X	
11	28-14223-1	. . Hub Spacer	1	X	X	
12	28-14290-3	. . Shim, .001"	A/R	X	X	
12	28-14290-5	. . Shim, .002"	A/R	X	X	
12	28-14290-7	. . Shim, .004"	A/R	X	X	
12	28-14290-9	. . Shim, .0075"	A/R	X	X	
13●	28-14281-3	. . Hub Plate, Lower (Used with 28-14219-3 and Hydraulic Damper, 28-14375-107)	1	X	X	
13●	28-14281-5	. . Hub Plate, Lower (Used with 28-14219-7 and Hydraulic Damper, 28-14375-103)	1	X	X	
14	28-14252-1	. . . Bushing (Used with 28-14281-3)	3	X	X	
14	28-14359-19	. . . Bushing (Used with 28-14281-5)	3	X	X	
15	28-14224-3	. . Shaft Adapter (Used with Main Rotor Transmission, P/N 4130020-1, -7, & -101)	1	X	X	

ENSTROM TH-28/480 SERIES ILLUSTRATED PARTS CATALOG

FIGURE 8-1. MAIN ROTOR HUB ASSEMBLY – GREASE LUBRICATED

ITEM NUMBER	PART NUMBER	DESCRIPTION	QTY PER ASSY	EFFECTIVITY		
				TH-28	480	480B
15	28-14224-5	.. Shaft Adapter (Used with Main Rotor Transmission, P/N 4130020-103)	1	X	X	
16♦	MS21044N5	.. Nut	6		X	
16	AN365-524A	.. Nut (Superseded by MS20144N5)	6	X	X	
17 ≡	NK-500-8R6	.. Screw	12	X	X	
17‡♦	NK-500-8R5	.. Screw	3		X	
18♦	NAS1149DN816J	.. Washer	12		X	
18	AN960D8	.. Washer (Superseded by NAS1149DN816J)	12	X	X	
19	28-14228-1	.. Dust Cap	3	X	X	
20	28-14227-1	.. Lock Nut	3	X	X	
21	W-09	.. Lock Washer	3	X	X	
–	28-14219-901	.. Universal Block Assembly	3	X	X	
22♦♦ ◦	28-14117-11	... Universal Block	1	X	X	
22◦	28-14117-1	... Universal Block (Superseded by 28-14117-11)	1	X	X	
23	ECD092-1	... Bearing	2	X	X	
23	28NBC2040YZP	... Bearing (Alternate)	2	X	X	
24	28-14236-1	... Thrust Washer	2	X	X	
25	28-14251-1	... Pad – Stop L.H.	2	X	X	
26	28-14251-2	... Pad – Stop R.H.	2	X	X	
27	NK-510-10R10	... Screw	4	X	X	
28	1641-B	... Grease Fitting	1	X	X	
28	MS15001-1	... Grease Fitting (Alternate to 1641-B)	1	X	X	
29	28-14236-1	.. Thrust Washer	3	X	X	
30	28-14006-3	.. Shim, .001"	A/R	X	X	
30	28-14006-5	.. Shim, .002"	A/R	X	X	
30	28-14006-7	.. Shim, .004"	A/R	X	X	
30	28-14006-9	.. Shim, .005"	A/R	X	X	
30	28-14006-11	.. Shim, .010"	A/R	X	X	
30	28-14006-13	.. Shim, .015"	A/R	X	X	
30	28-14006-15	.. Shim, .020"	A/R	X	X	
30	28-14006-17	.. Shim, .025"	A/R	X	X	
30	28-14006-19	.. Shim, .030"	A/R	X	X	
31	28-14256-1	.. Thrust Nut	3	X	X	
32	28-14257-1	.. Lock Key	3	X	X	
33♦	NAS1149FN832P	.. Washer	3		X	
33	AN960-8L	.. Washer (Superseded by NAS1149FN832P)	3	X	X	
34	1911-B	.. Fitting, Grease	6	X	X	
35	1637-B	.. Fitting, Grease	6	X	X	

ENSTROM TH-28/480 SERIES ILLUSTRATED PARTS CATALOG

FIGURE 8-1. MAIN ROTOR HUB ASSEMBLY – GREASE LUBRICATED

ITEM NUMBER	PART NUMBER	DESCRIPTION	QTY PER ASSY	EFFECTIVITY		
				TH-28	480	480B
36**	ECD092-1	. Bearing: Rlr. 1.750 Needle. Greased	6	X	X	
36	28NBC2040YZP	. Bearing (Alternate)	6	X	X	
37	28-14009-1	. Shim, .001"	A/R	X	X	
37	28-14009-2	. Shim, .002"	A/R	X	X	
37	28-14009-3	. Shim, .003"	A/R	X	X	
37	28-14009-5	. Shim, .005"	A/R	X	X	
38	28-14235-1	. Spacer	3	X	X	
39	28-14008-1	. Hub Spacer	1	X	X	
40	28-14004-1	. Retention Nut	1	X	X	

* Useable on TH-28, S/N 3004 and subsequent, and 480, S/N 5001 thru 5041.

** Third Flapping Bearing Kit, P/N 4230024-1, eligible for installation.

● Effectivity 480/480B S/N 5095 and subsequent.

† One (1) washer under the head, three (3) under the nut.

≡ See Appendix A for equivalent part information.

●● Effectivity 480/480B S/N 5140 and subsequent.

◆ Effectivity 480B S/N 5212 and subsequent. Retrofittable to 480 S/N 5001 – 5041, 480B S/N 5042 and subsequent.

◆◆ Retrofittable to 480 S/N 5001 – 5041.

○ Available as a remanufactured part. Add an "R" to the end of the part number when ordering.

ENSTROM TH-28/480 SERIES ILLUSTRATED PARTS CATALOG

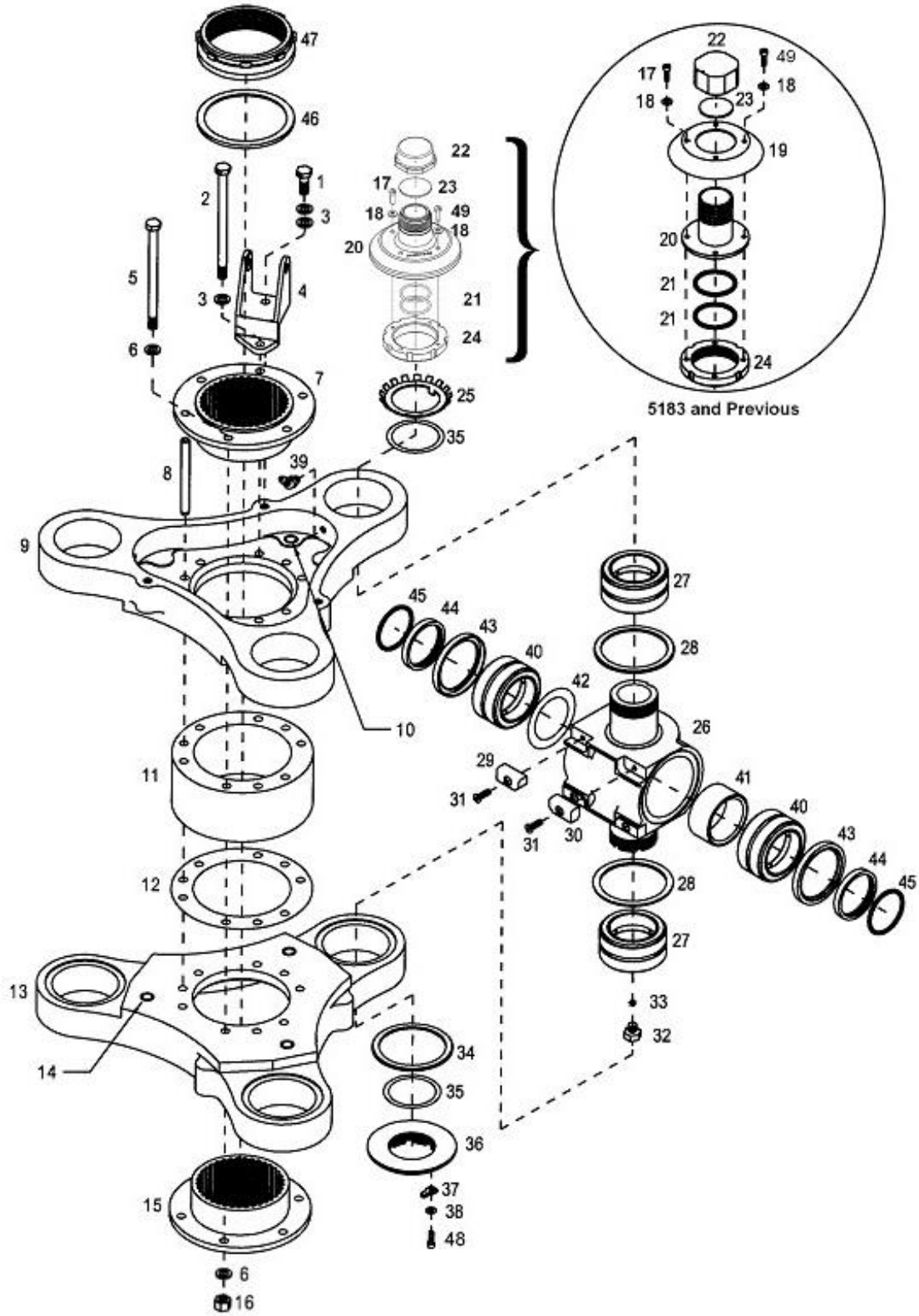


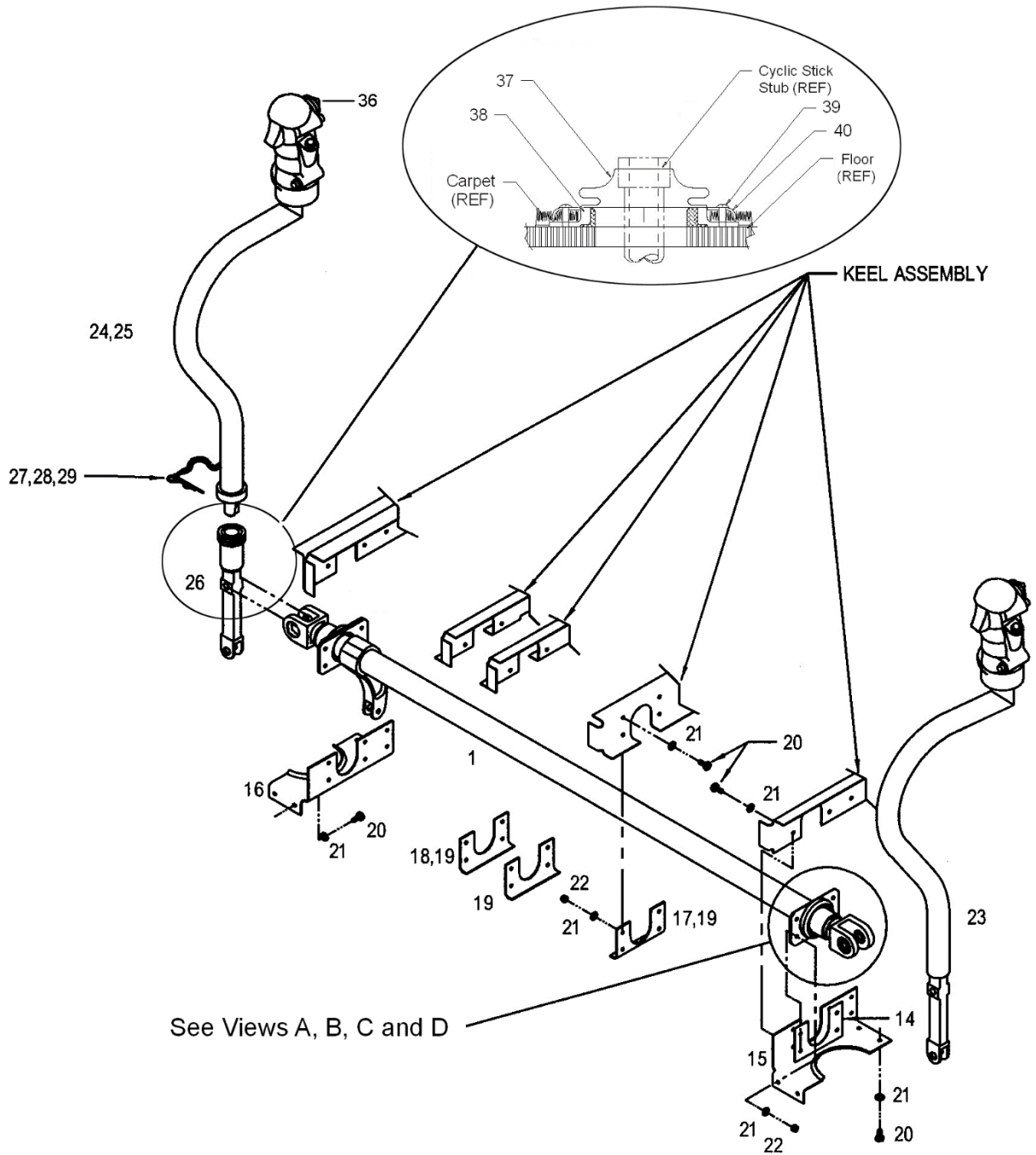
FIGURE 8-2. MAIN ROTOR HUB ASSEMBLY – OIL LUBRICATED

ENSTROM TH-28/480 SERIES ILLUSTRATED PARTS CATALOG

SECTION 9 – TABLE OF CONTENTS

	Cover	9-1
	Table of Contents	9-1.2
9-1	Cyclic Stick and Torque Tube Installation	9-2
9-2	Cyclic Control Tube and Bellcrank Installation	9-6
9-3	Cyclic Trim Assembly	9-12
9-4	Collective Stick and Torque Tube Installation	9-16
9-5	Collective Control Tube and Bellcrank Installation	9-18
9-6	Collective Stick – Pilot (SN 5135 and Prior)	9-20
9-7	Collective Stick – Copilot (SN 5135 and Prior)	9-22
9-7.1	Collective Stick – Pilot (SN 5136 and Subs)	9-23.1
9-7.2	Collective Stick – Copilot (SN 5136 and Subs)	9-23.5
9-8	Collective Trim Assembly	9-24
9-9	Collective Friction Assembly	9-28
9-10	Lower Swashplate Assembly Installation	9-30
9-11	Lower Swashplate Assembly	9-32
9-12	Upper Swashplate Assembly and Controls	9-34
9-13	Main Rotor Pitch Change Controls	9-38
9-14	Tail Rotor Control System (Dual Control)	9-40
9-15	Tail Rotor Rotating Controls	9-48

ENSTROM TH-28/480 SERIES ILLUSTRATED PARTS CATALOG



Sheet 1 of 2

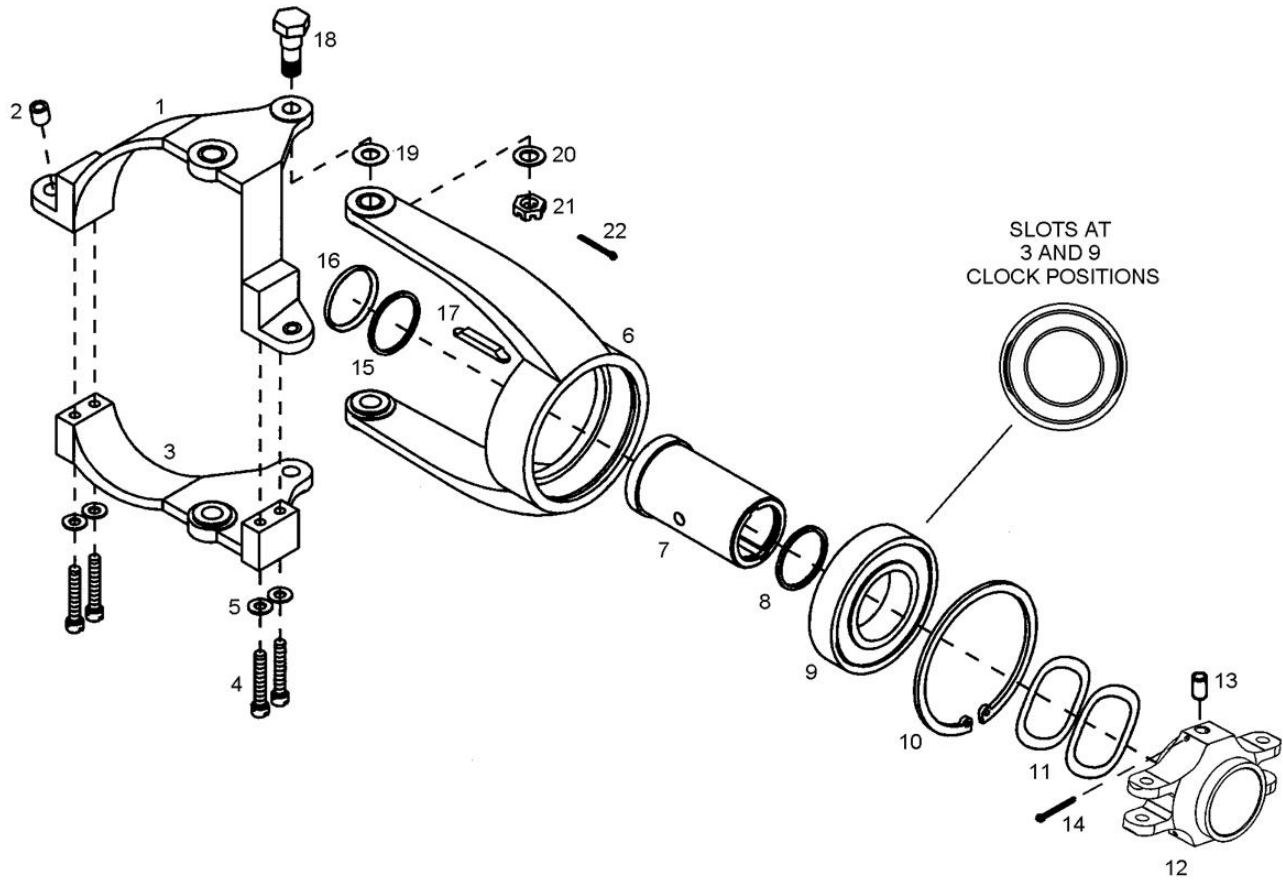
FIGURE 9-1. CYCLIC STICK AND TORQUE TUBE INSTALLATION

ENSTROM TH-28/480 SERIES ILLUSTRATED PARTS CATALOG

I

INTENTIONALLY LEFT BLANK

ENSTROM TH-28/480 SERIES ILLUSTRATED PARTS CATALOG



Sheet 1 of 2

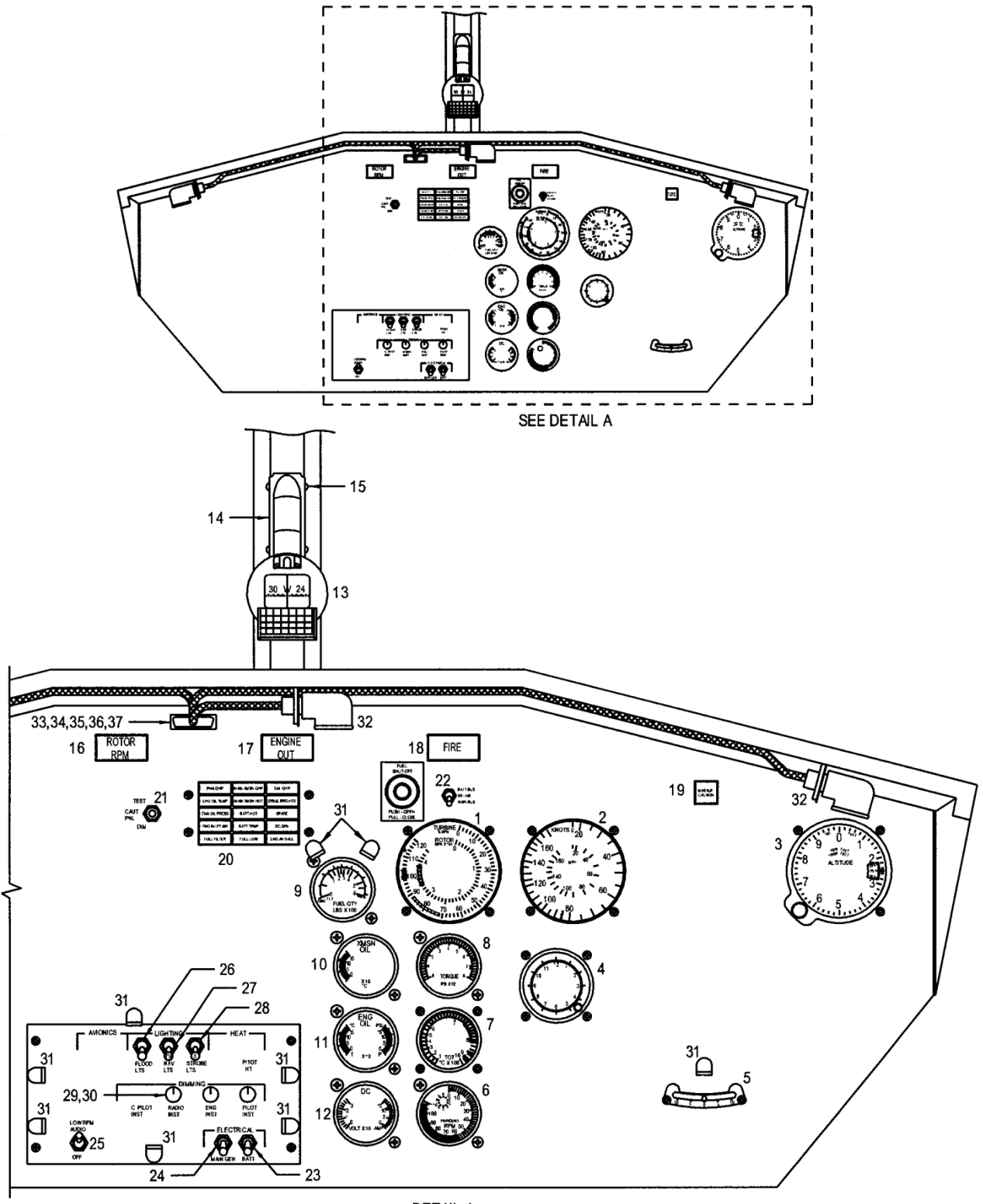
FIGURE 9-15. TAIL ROTOR ROTATING CONTROLS

ENSTROM TH-28/480 SERIES ILLUSTRATED PARTS CATALOG

SECTION 10 – TABLE OF CONTENTS

	Cover	10-1
	Table of Contents	10-1.2
10-1	TH-28 Instrument Panel Equipment Installation	10-2
10-2	480 Standard Instrument Panel Equipment Installation	10-8
10-3	480 (Optional)/480B Instrument Panel Equipment Installation	10-16
10-4	480B Instrument Panel Equipment Installation	10-22
10-5	TH-28 Circuit Breaker Panel	10-30
10-6	480 Circuit Breaker Panel	10-32
10-7	480 Optional Circuit Breaker Panel	10-34
10-8	480B Circuit Breaker Panel	10-36
10-9	480B Circuit Breaker Panel	10-38
10-10	Pedestal Miscellaneous Equipment	10-44
10-11	Outside Air Temperature (OAT) Gauge Installation	10-46
10-12	NiCad Battery Tray Installation	10-48
10-13	Standard Battery Tray Installation	10-50
10-14	Battery Installation	10-54
10-15	Aft Battery Installation	10-56
10-16	Electrical Component Installation (Right Side Backwall)	10-58
10-17	Electrical Component Installation Relays Only (Right Side Backwall)	10-61
10-18	Electrical Components - Keel Installation	10-66
10-19	Generator Control Unit/T9 Terminal Strip Installation	10-72
10-20	Engine Oil Pressure and Torque Indication System	10-74
10-21	Engine T.O.T. Harness Terminal Block	10-76
10-22	Fire Detector Installation	10-78
10-23	Low Rotor Warning and Micro Switch Installation	10-80
10-24	TH-28 Chip Detector Program Continuity Sensor Installation	10-84
10-24.1	480/480B Programmed Continuity Sensors – Engine and Main Rotor Transmission Chip Detectors	10-86.2
10-24.2	480/480B Programmed Continuity Sensor – Tail Rotor Transmission Chip Detector	10-86.6
10-25	Bearing Temperature Warning System (Grease Lubricated)	10-88
10-26	Bearing Temperature Warning System (Oil Lubricated)	10-90
10-27	Engine Air Inlet Pressure System	10-94
10-28	Landing Light Assembly Installation	10-98
10-29	LED Landing Light Assembly Installation	10-100
10-30	Position/Anti-Collision Light Installation	10-104
10-31	Position/Anti-Collision Light Assembly	10-106
10-32	Position/Anti-Collision LED Light Assembly	10-108
10-33	Static Port and Pitot Tube Installation	10-110
10-34	Static and Pitot Line Installation	10-114
10-35	Instrument Console Shroud Installation	10-118
10-36	KMA 24H-71 Audio Panel Installation	10-120
10-37	GTX 327 Transponder Installation	10-124
10-38	GTX 327 Antenna Installation Forward (Preferred) Location	10-128
10-39	GTX 327 Antenna Installation Aft (Alternate) Location	10-132

ENSTROM TH-28/480 SERIES ILLUSTRATED PARTS CATALOG



Standard Equipment

FIGURE 10-1. TH-28 INSTRUMENT PANEL EQUIPMENT INSTALLATION

ENSTROM TH-28/480 SERIES ILLUSTRATED PARTS CATALOG

FIGURE 10-1. TH-28 INSTRUMENT PANEL EQUIPMENT INSTALLATION

ITEM NUMBER	PART NUMBER	DESCRIPTION	QTY PER ASSY	EFFECTIVITY		
				TH-28	480	480B
– ≡	MS24693-BB52	. . Screw	1	X		
–	MS3106F12-10S	. Connector (Electrical Harness)	1	X		
12	ECD4041-1	. Volt/Amp Indicator (INSCO 9021-3037)	1	X		
–	MS28042-1A	. Clamp, Mounting	1	X		
–	MS35215-58	. . Screw	1	X		
– ≡	MS24693-BB52	. . Screw	1	X		
–	CA3106F10-6S	. Connector (Electrical Harness)	1	X		
13	PAI700	. Compass	1	X		
–	327	. . Light Bulb	1	X		
–	AN931-3-5	. Grommet	1	X		
–	AN515B8R8	. Screw	2	X		
–	AN960B8	. Washer	4	X		
–	AN935B8	. Lock Washer	2	X		
–	AN340-8	. Nut	2	X		
14	4196562-11	. Bracket, Compass	1	X		
15	AN530-6R6	. Screw	4	X		
16	14399-003	. Light Assembly (Low Rotor)	1	X		
–	313	. . Light Bulb	2	X		
17	14399-002	. Light Assembly (Engine Out)	1	X		
–	313	. . Light Bulb	2	X		
18	14399-001	. Light Assembly (Fire)	1	X		
–	313	. . Light Bulb	2	X		
19	95-41-11-H6-55785	. Master Caution Annunciator/Switch	1	X		
–	6839	. . Light Bulb	4	X		
–	18-200	. Connector (Electrical Harness)	1	X		
–	M39029/22-192	. Socket (Electrical Harness)	7	X		
–	18-215	. Hole Filler (Electrical Harness)	7	X		
20	ECD4059-3	. Annunciator Panel	1	X		
–	327	. . Light Bulb	30	X		
–	90-42130-009	. . Segment, "ENG CHIP"	1	X		

ENSTROM TH-28/480 SERIES ILLUSTRATED PARTS CATALOG

FIGURE 10-1. TH-28 INSTRUMENT PANEL EQUIPMENT INSTALLATION

ITEM NUMBER	PART NUMBER	DESCRIPTION	QTY PER ASSY	EFFECTIVITY		
				TH-28	480	480B
-	90-42130-010	. . Segment, "MAIN XMSN CHIP"	1	X		
-	90-42130-011	. . Segment, "TAIL CHIP"	1	X		
-	90-42130-012	. . Segment, "ENG OIL TEMP"	1	X		
-	90-42130-013	. . Segment, "MAIN XMSN HOT"	1	X		
-	90-42130-015	. . Segment, "ENG OIL PRESS"	1	X		
-	90-42130-016	. . Segment, "DRIVE BRG HOT"	1	X		
-	90-42130-017	. . Segment, "DC GEN"	1	X		
-	90-42130-018	. . Segment, "ENG AIR INLET"	1	X		
-	90-42130-019	. . Segment, "SPARE" (Quantity 3 Each when Lead Acid Battery Installed)	1	X		
-	90-42130-021	. . Segment, "FUEL FILTER"	1	X		
-	90-42130-022	. . Segment, "FUEL LOW"	1	X		
-	90-42130-023	. . Segment, "BATTERY HOT"	1	X		
-	90-42130-024	. . Segment, "BATTERY TEMP"	1	X		
-	90-42130-026	. . Segment, "ENG ANTI-ICE"	1	X		
-	AN515B6R7	. Screw	4	X		
-	SD15M10JVL0	. Connector (Electrical Harness)	1	X		
-	SD15F10JVL0	. Connector (Electrical Harness)	1	X		
21	MS24525-31	. Switch (Caution Panel Test/Dim)	1	X		
22	7201SYZQE	. Switch (N ₂ /N _R Battery Bus)	1	X		
23	11TS15-2	. Switch (Battery)	1	X		
24	AP-1-3-50-051	. Switch (Generator)	1	X		
25	M5594/1-3	. Switch (Low RPM Audio)	1	X		
26	MS24523-21	. Switch (Flood Lights)	1	X		
27	7270-1-7 1/2	. Switch/Circuit Breaker (Navigation Lights)	1	X		
28	7270-1-5	. Switch/Circuit Breaker (Position Lights)	1	X		
29≡	381N-500-S	. Potentiometer	3	X		
30≡	KN500B1/8	. Knob	3	X		
31	01-0770119-15	. Post Light	9	X		
31†	A-8970B1-327	. Post Light (superseded by 01-0770119-15)	9	X		
-	327	. . Light Bulb	1	X		
32	A315HI-B-28V	. Light Assembly	3	X		
-	1495	. . Light Bulb	1	X		
-	AN526-632R6	. Screw	6	X		

ENSTROM TH-28/480 SERIES ILLUSTRATED PARTS CATALOG

FIGURE 10-1. TH-28 INSTRUMENT PANEL EQUIPMENT INSTALLATION

ITEM NUMBER	PART NUMBER	DESCRIPTION	QTY PER ASSY	EFFECTIVITY		
				TH-28	480	480B
-	AN960-6	. Washer	6	X		
-	AN364-632A	. Nut	6	X		
33	DEU-9P	. Connector (Light Harness)	1	X		
34	D110278	. Spring Latch Plate (Light Harness)	1	X		
35	DE110963-1	. Back Shell (Light Harness)	1	X		
36	DEU-9S	. Connector (Electrical Harness)	1	X		
37	D110277	. Spring Latch (Electrical Harness)	1	X		

≡ See Appendix A for equivalent part information.

Δ Range markings must be modified in accordance with SDB T-028 Revision 2 or later revision.

† Part number not available.

ENSTROM TH-28/480 SERIES ILLUSTRATED PARTS CATALOG

FIGURE 10-2. 480 STANDARD INSTRUMENT PANEL EQUIPMENT INSTALLATION

ITEM NUMBER	PART NUMBER	DESCRIPTION	QTY PER ASSY	EFFECTIVITY		
				TH-28	480	480B
—	18-215	. Hole Filler (Electrical Harness)	7		X	
20	ECD4059-3	. Annunciator Panel	1		X	
—	327	. . Light Bulb	30		X	
—	90-42130-009	. . Segment, "ENG CHIP"	1		X	
—	90-42130-010	. . Segment, "MAIN XMSN CHIP"	1		X	
—	90-42130-011	. . Segment, "TAIL CHIP"	1		X	
—	90-42130-012	. . Segment, "ENG OIL TEMP"	1		X	
—	90-42130-013	. . Segment, "MAIN XMSN HOT"	1		X	
—	90-42130-015	. . Segment, "ENG OIL PRESS"	1		X	
—	90-42130-016	. . Segment, "DRIVE BRG HOT"	1		X	
—	90-42130-017	. . Segment, "DC GEN"	1		X	
—	90-42130-018	. . Segment, "ENG AIR INLET"	1		X	
—	90-42130-019	. . Segment, "SPARE" (Quantity 3 Each when Lead Acid Battery Installed)	1		X	
—	90-42130-021	. . Segment, "FUEL FILTER"	1		X	
—	90-42130-022	. . Segment, "FUEL LOW"	1		X	
—	90-42130-023	. . Segment, "BATTERY HOT"	1		X	
—	90-42130-024	. . Segment, "BATTERY TEMP"	1		X	
—	90-42130-026	. . Segment, "ENG ANTI-ICE"	1		X	
—	AN515B6R7	. Screw	4		X	
—	SD15M10JVLO	. Connector (Electrical Harness)	1		X	
—	SD15F10JVLO	. Connector (Electrical Harness)	1		X	
21	MS24525-31	. Switch (Caution Panel Test/Dim)	1		X	
22	7201SYZQE	. Switch (N ₂ /N _R Battery Bus)	1		X	
23	11TS15-2	. Switch (Battery)	1		X	
24	AP-1-3-50-051	. Switch (Generator)	1		X	
25	7270-1-5	. Switch/Circuit Breaker (Position Lights)	1		X	
26	7270-1-7 1/2	. Switch/Circuit Breaker (Navigation Lights)	1		X	
27	7270-1-5	. Switch/Circuit Breaker (Panel Lights)	1		X	
28	MS26574-10	. Circuit Breaker, 10 Amp (Landing Light)	1		X	
29 ≡	381N-500-S	. Potentiometer	3		X	
30 ≡	KN500B1/8	. Knob	3		X	

ENSTROM TH-28/480 SERIES ILLUSTRATED PARTS CATALOG

FIGURE 10-2. 480 STANDARD INSTRUMENT PANEL EQUIPMENT INSTALLATION

ITEM NUMBER	PART NUMBER	DESCRIPTION	QTY PER ASSY	EFFECTIVITY		
				TH-28	480	480B
31 [∞]	01-0770119-15	. Post Light	10		X	
31 [∞] ▼	A-8970B1-327	. Post Light (Superseded by 01-0770119-15)	10		X	
—	327	. . Light Bulb	1		X	

* 480, S/N 5001 thru 5013, and 5015.

** Alternate Indicator installation: 480, S/N 5001 thru 5013, and 5015.

† 480, S/N 5014, 5016 and subsequent.

‡ 480, S/N 5014, 5016 and subsequent if equipped with the optional pop-out floats.

• 480, S/N 5001 thru 5005, and 5010.

•• 480, S/N 5006 thru 5009.

◦ 480, S/N 5011 and subsequent.

∞ Quantity 8 when using 218-901-019 or ECD4038-4 Fuel Quantity Indicator.

≡ See Appendix A for equivalent part information.

Δ Range markings must be modified in accordance with SDB T-028 Revision 2 or later revision.

▼ Part number not available.

ENSTROM TH-28/480 SERIES ILLUSTRATED PARTS CATALOG

FIGURE 10-3. 480 (OPTIONAL)/480B INSTRUMENT PANEL EQUIPMENT INSTALLATION

ITEM NUMBER	PART NUMBER	DESCRIPTION	QTY PER ASSY	EFFECTIVITY		
				TH-28	480	480B
20	ECD4059-5	. Annunciator Panel	1			X
-	327	. . Light Bulb	30			X
-	90-42130-009	. . Segment, "ENG CHIP"	1			X
-	90-42130-010	. . Segment, "MAIN XMSN CHIP"	1			X
-	90-42130-011	. . Segment, "TAIL CHIP"	1			X
-	90-42130-012	. . Segment, "ENG OIL TEMP"	1			X
-	90-42130-013	. . Segment, "MAIN XMSN HOT"	1			X
-	90-42130-015	. . Segment, "ENG OIL PRESS"	1			X
-	90-42130-016	. . Segment, "DRIVE BRG HOT"	1			X
-	90-42130-017	. . Segment, "DC GEN"	1			X
-	90-42130-018	. . Segment, "ENG AIR INLET"	1			X
-	90-42130-019	. . Segment, "SPARE" (Used when Lead Acid Battery Installed)	2			X
-	90-42130-021	. . Segment, "FUEL FILTER"	1			X
-	90-42130-022	. . Segment, "FUEL LOW"	1			X
-	90-42130-023	. . Segment, "BATTERY HOT"	1			X
-	90-42130-024	. . Segment, "BATTERY TEMP"	1			X
-	90-42130-026	. . Segment, "ENG ANTI-ICE"	1			X
-	90-42130-028	. . Segment, "MRGB PRESS"	1			X
-	AN515B6R7	. Screw	4			X
-	SD15M10JVL0	. Connector (Electrical Harness)	1			X
-	SD15F10JVL0	. Connector (Electrical Harness)	1			X
21	MS24525-31	. Switch (Caution Panel Test/Dim)	1		X	X
22	7401SYZQE	. Switch (N ₂ /N _R Battery Bus)	1		X	X
23	L58D-Y24-W	. LED Light	1		X	X
24†	01-0770119-15	. Post Light	1		X	X

* 480, S/N 5014, 5016 and subsequent if equipped with the optional pop-out floats.

** 3" Diameter Indicator (Customer Option)

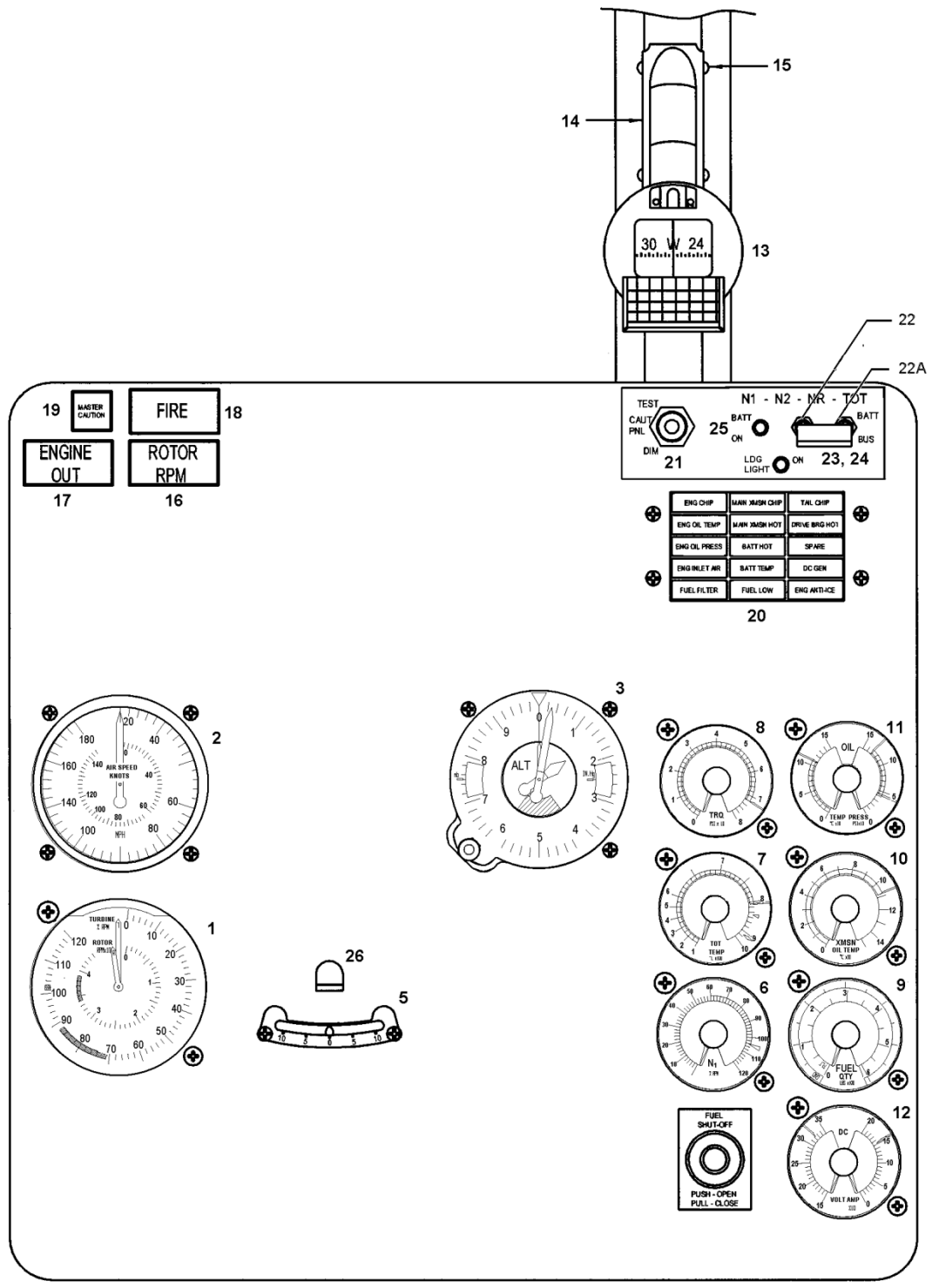
† Not used if Inclinator is not installed.

≡ See Appendix A for equivalent part information.

● Effectivity 480B S/N 5042 and subsequent. Retrofittable to 480 S/N 5001 – 5041.

△ Range markings must be modified in accordance with SDB T-028 Revision 2 or later revision.

ENSTROM TH-28/480 SERIES ILLUSTRATED PARTS CATALOG



NOTE: INSTRUMENT PANEL LAYOUTS MAY VARY
DEPENDING ON CUSTOMER PREFERENCES.

Standard Equipment
480B: S/N 5046, 5048 through 5049
Sheet 1 of 4

FIGURE 10-4. 480B INSTRUMENT PANEL EQUIPMENT INSTALLATION

ENSTROM TH-28/480 SERIES ILLUSTRATED PARTS CATALOG

FIGURE 10-4. 480B INSTRUMENT PANEL EQUIPMENT INSTALLATION

ITEM NUMBER	PART NUMBER	DESCRIPTION	QTY PER ASSY	EFFECTIVITY		
				TH-28	480	480B
14	4196562-11	. Bracket, Compass	1			X
15	AN530-6R6	. Screw	4			X
16	14399-003	. Light Assembly (Low Rotor)	1			X
-	313	. . Light Bulb	2			X
16●	LR3-40-17-HE-81043	. Indicator LED (Rotor RPM)	1			X
-●	18-200	. . Connector Plug	1			X
-●	M39029/22-192	Contact Socket	1			X
-●	18-215	Sealing Plug	1			X
17	14399-002	. Light Assembly (Engine Out)	1			X
-	313	. . Light Bulb	2			X
17●	LR3-40-17-HE-81042	. Indicator LED (Rotor RPM)	1			X
-●	18-200	. . Connector Plug	1			X
-●	M39029/22-192	Contact Socket	1			X
-●	18-215	Sealing Plug	1			X
18	14399-001	. Light Assembly (Fire)	1			X
-	313	. . Light Bulb	2			X
18●	LR3-40-17-HE-81041	. Indicator LED (Fire)	1			X
-●	18-200	. . Connector Plug	1			X
-●	M39029/22-192	Contact Socket	1			X
-●	18-215	Sealing Plug	1			X
19	95-41-11-H6-55785	. Master Caution Annunciator/Switch	1			X
-	6839	. . Light Bulb	4			X
-	18-200	. Connector (Electrical Harness)	1			X
-	M39029/22-192	. Socket (Electrical Harness)	7			X
-	18-215	. Hole Filler (Electrical Harness)	7			X
19●	LED-41-11-HE-39062	. Indicator Switch LED (Master Caution)	1			X
20	ECD4059-5	. Annunciator Panel (Superseded by ECD4078-X)	1			X
-	327	. . Light Bulb	30			X
-	90-42130-009	. . Segment, "ENG CHIP"	1			X
-	90-42130-010	. . Segment, "MAIN XMSN CHIP"	1			X

ENSTROM TH-28/480 SERIES ILLUSTRATED PARTS CATALOG

FIGURE 10-4. 480B INSTRUMENT PANEL EQUIPMENT INSTALLATION

ITEM NUMBER	PART NUMBER	DESCRIPTION	QTY PER ASSY	EFFECTIVITY		
				TH-28	480	480B
-	90-42130-011	. . Segment, "TAIL CHIP"	1			X
-	90-42130-012	. . Segment, "ENG OIL TEMP"	1			X
-	90-42130-013	. . Segment, "MAIN XMSN HOT"	1			X
-	90-42130-015	. . Segment, "ENG OIL PRESS"	1			X
-	90-42130-016	. . Segment, "DRIVE BRG HOT"	1			X
-	90-42130-017	. . Segment, "DC GEN"	1			X
-	90-42130-018	. . Segment, "ENG AIR INLET"	1			X
-	90-42130-019	. . Segment, "SPARE" (Used when Lead Acid Battery Installed)	2			X
-	90-42130-021	. . Segment, "FUEL FILTER"	1			X
-	90-42130-022	. . Segment, "FUEL LOW"	1			X
-	90-42130-023	. . Segment, "BATTERY HOT"	1			X
-	90-42130-024	. . Segment, "BATTERY TEMP"	1			X
-	90-42130-026	. . Segment, "ENG ANTI-ICE"	1			X
-	90-42130-028	. . Segment, "MRGB PRESS"	1			X
-	AN515B6R7	. Screw	4			X
-	SD15M10JVL0	. Connector (Electrical Harness)	1			X
-	SD15F10JVL0	. Connector (Electrical Harness)	1			X
20††	ECD4078-X	. Master Caution Annunciator Panel	1			X
20†	ECD4078-1	. Annunciator Panel (Superseded by ECD4078-X)	1			X
21	MS24525-31	. Switch (Caution Panel Test/Dim)	1			X
22	7401SYZQE	. Switch (N ₁ -N ₂ -N _R -TOT Battery Bus) Larger component – on left	1			X
22A	7101SYZQE	. Switch (N ₁ -N ₂ -N _R -TOT Battery Bus) Smaller component – on right	1			X
23	4196600-11	. Ganging Bar	1			X
24≡	MS24693-S24	. Screw	1			X
25	L58D-Y24-W	. LED Light (Battery)	1			X
25	L58D-G24-W	. LED Light (Landing Light)	1			X
26*	01-0770119-15	. Post Light	1			X
27♦	ECD4093-1	. Signal Converter	1			X
-	MS35206-227	. . Screw	4			X
-	NAS1149FN616P	. . Washer	4			X
-	MS21083N06	. . Nut	4			X
28	PACMO-APZ21N	. Compass Bracket	1			X

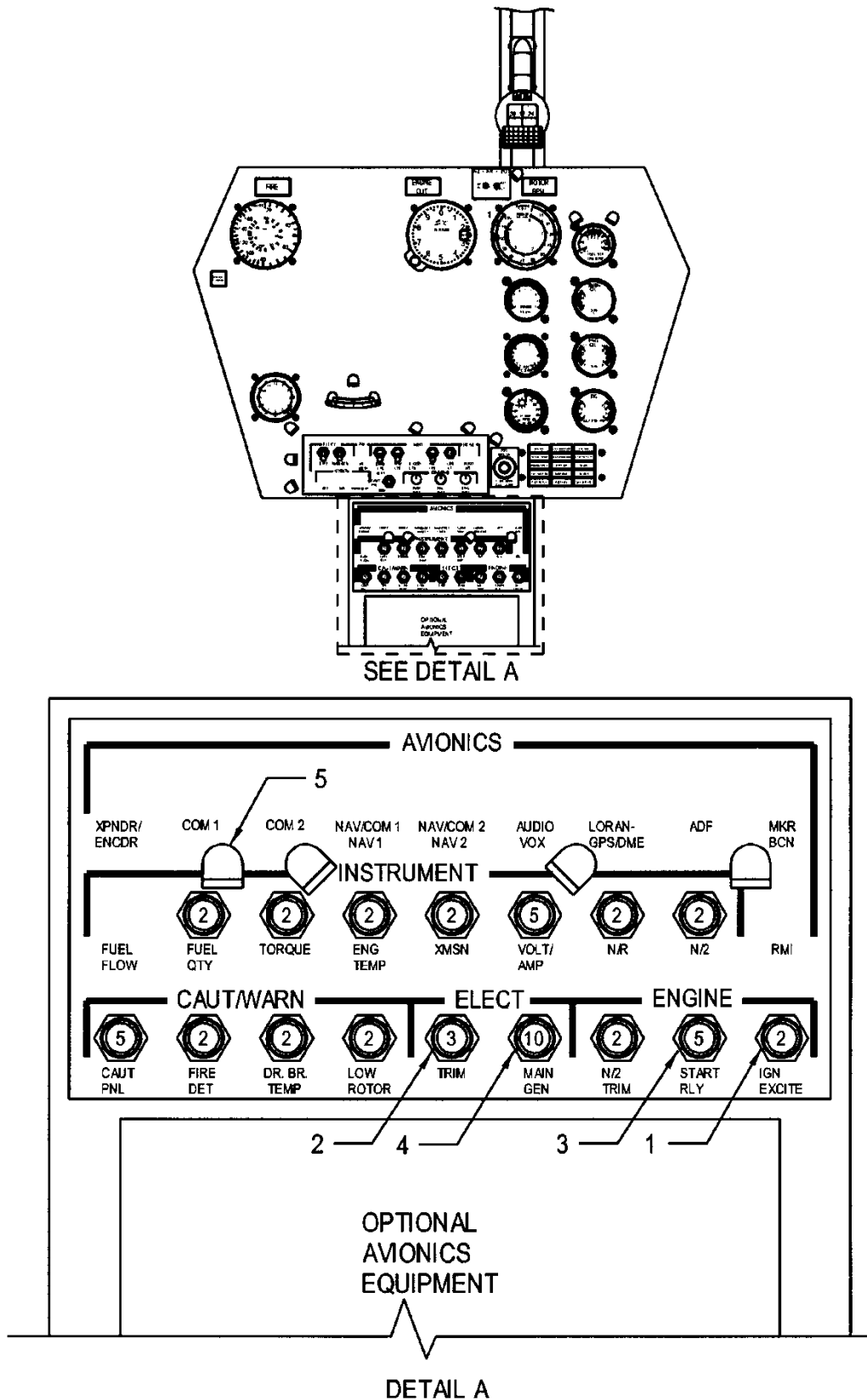
ENSTROM TH-28/480 SERIES ILLUSTRATED PARTS CATALOG

FIGURE 10-5. TH-28 CIRCUIT BREAKER PANEL

ITEM NUMBER	PART NUMBER	DESCRIPTION	QTY PER ASSY	EFFECTIVITY		
				TH-28	480	480B
1	MS26574-2	. Circuit Breaker, 2 Amp	11	X		
2	MS26574-3	. Circuit Breaker, 3 Amp	3	X		
3	MS26574-5	. Circuit Breaker, 5 Amp	5	X		
4	MS26574-10	. Circuit Breaker, 10 Amp	2	X		
5	01-0770119-15	. Post Light	10	X		
5▼	A-8970B1-327	. Post Light (Superseded by 01-0770119-15)	10	X		
-	327	. . Light Bulb	1	X		

▼ Part number not available.

ENSTROM TH-28/480 SERIES ILLUSTRATED PARTS CATALOG



Standard Equipment

FIGURE 10-6. 480 CIRCUIT BREAKER PANEL

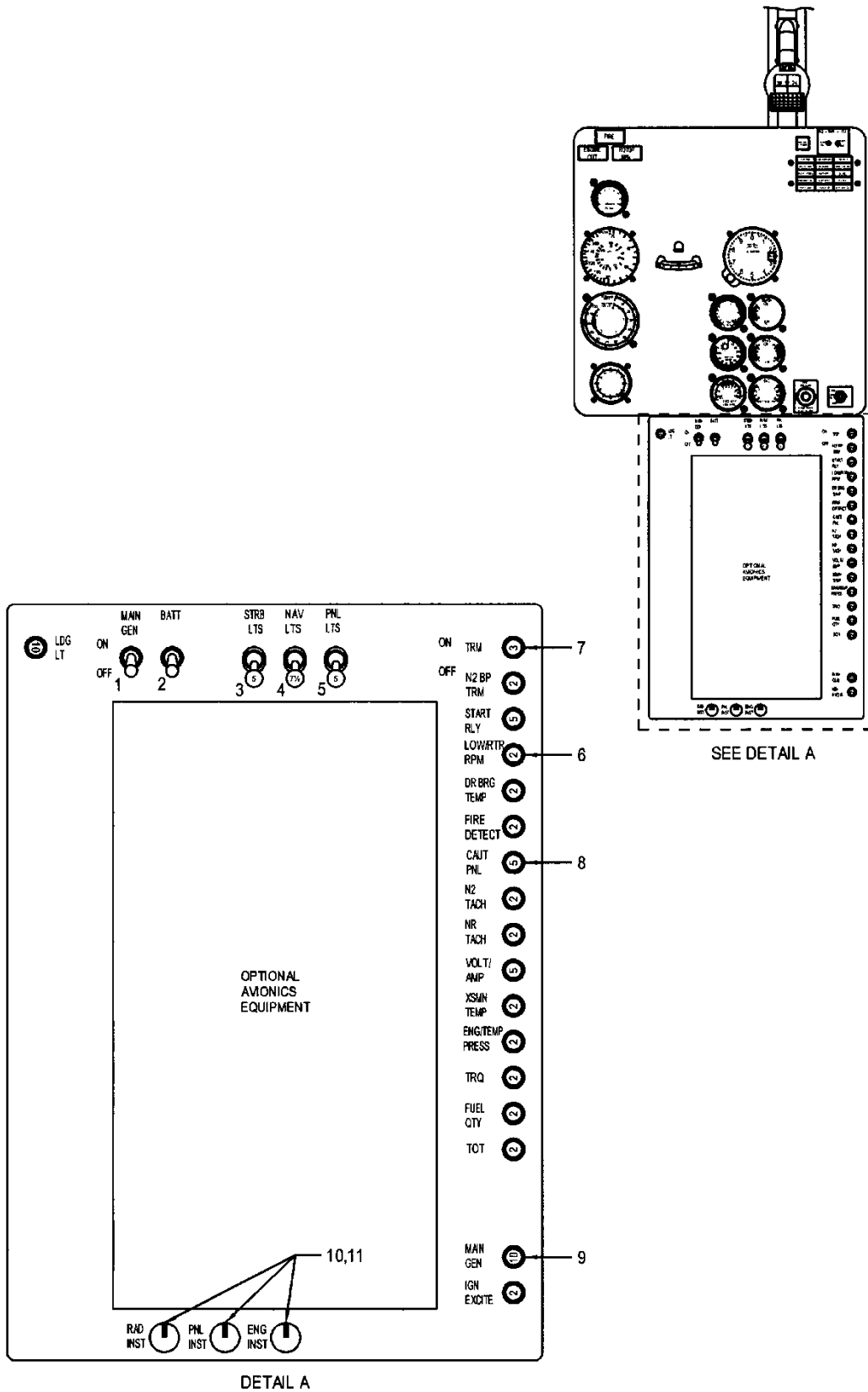
ENSTROM TH-28/480 SERIES ILLUSTRATED PARTS CATALOG

FIGURE 10-6. 480 CIRCUIT BREAKER PANEL

ITEM NUMBER	PART NUMBER	DESCRIPTION	QTY PER ASSY	EFFECTIVITY		
				TH-28	480	480B
1	MS26574-2	. Circuit Breaker, 2 Amp	11		X	
2	MS26574-3	. Circuit Breaker, 3 Amp	1		X	
3	MS26574-5	. Circuit Breaker, 5 Amp	3		X	
4	MS26574-10	. Circuit Breaker, 10 Amp	1		X	
5	01-0770119-15	. Post Light	4		X	
5▼	A-8970B1-327	. Post Light (Superseded by 01-0770119-15)	4		X	
-	327	. . Light Bulb	1		X	

▼ Part number not available.

ENSTROM TH-28/480 SERIES ILLUSTRATED PARTS CATALOG



Standard Equipment

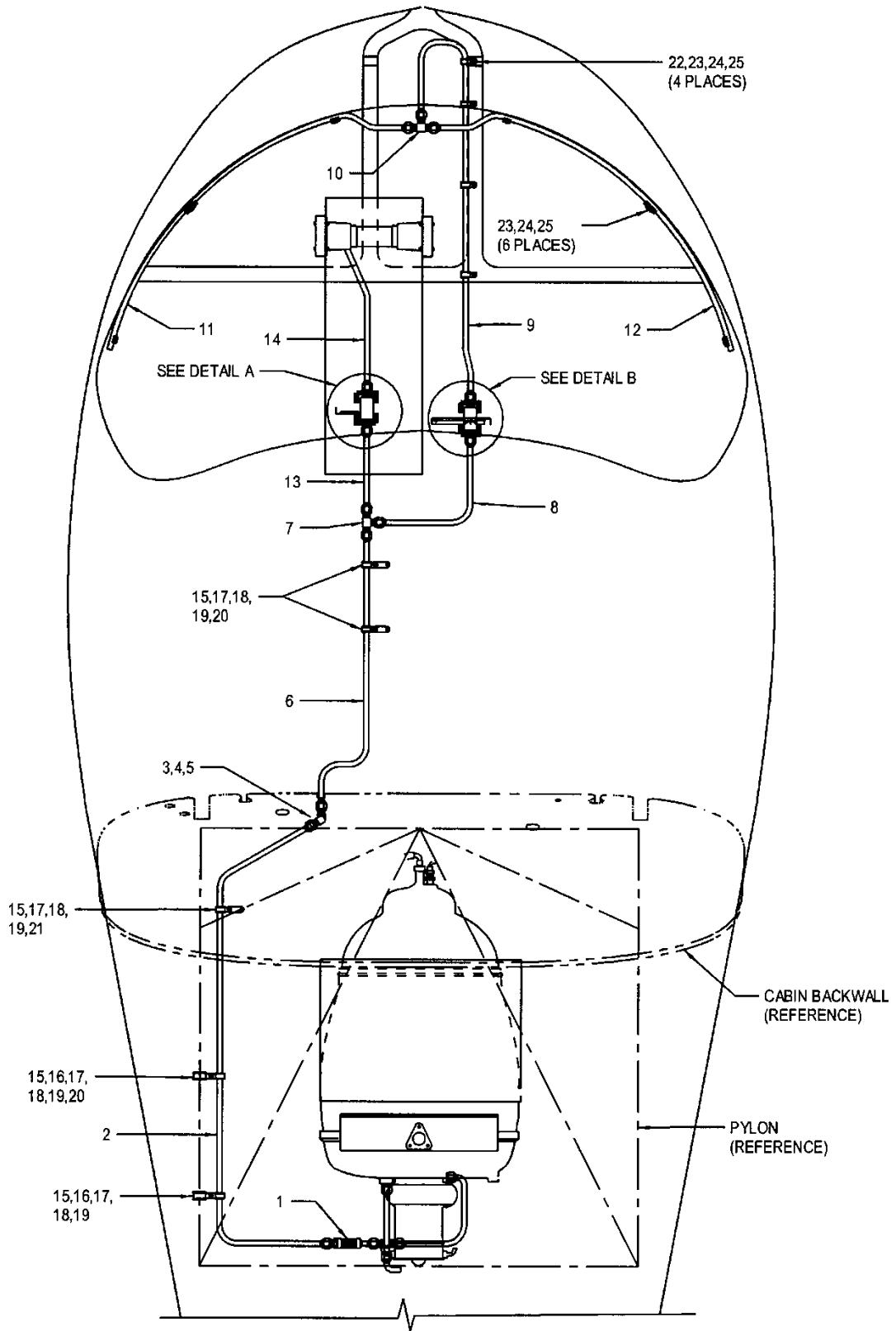
FIGURE 10-7. 480 OPTIONAL CIRCUIT BREAKER PANEL

ENSTROM TH-28/480 SERIES ILLUSTRATED PARTS CATALOG

SECTION 11 – TABLE OF CONTENTS

	Cover	11-1
	Table of Contents	11-1.2
11-1	Bleed Air Heater and Defroster Installation	11-2
11-2	Heater and Defroster Valve Assemblies	11-8
11-3	Heater Manifold Assembly	11-10
11-4	Fresh Air Ventilation Installation	11-12
11-5	Fresh Air Ventilation Installation	11-16
11-6	Overhead Console Vent/Light Assembly	11-20

ENSTROM TH-28/480 SERIES ILLUSTRATED PARTS CATALOG



Sheet 1 of 3

Figure 11-1. BLEED AIR HEATER AND DEFROSTER INSTALLATION

ENSTROM TH-28/480 SERIES ILLUSTRATED PARTS CATALOG

APPENDIX A – EQUIVALENT PARTS

Cover	A-1
Table of Contents	A-3
Introduction	A-4
Equivalent Parts Tables	A-4

ENSTROM TH-28/480 SERIES ILLUSTRATED PARTS CATALOG

1. Introduction

This Appendix lists various equivalent part numbers which have been used to identify parts. The parts listed below have not changed, although they may have been supplied under any of the alternate part numbers listed. The changes may have resulted from a supplier change, a procedural change, or simply a correction of a typographical error. Any of the equivalent part numbers may be installed in place of the corresponding primary part number listed.

Enstrom Helicopter ECD-series parts (not listed) may have part numbers in the format ECDXXXX-YY, ECD-XXXX-YY, or ECD XXXX-YY. All three of these part number formats may be used interchangeably. Parts with the same numbers are identical, regardless of the number format

For example:

PART NUMBER	EQUIVALENT PART NUMBERS	DESCRIPTION
ECD4055-11	ECD-4055-11 ECD 4055-11	Illuminated Panel

When ordering new parts, please use the "PART NUMBER" column for faster service.

2. Equivalent Part Numbers Table

TABLE A-1 EQUIVALENT PART NUMBERS

PART NUMBER	EQUIVALENT PART NUMBERS	DESCRIPTION
01-0790006-01	A600-PG-28 A600PG28	Position/Strobe Light. Assembly (Green)
01-0790006-03	A600-PR-28 A600PR28	Position/Strobe Light Assembly (Red)
10065 H1L5	10065	Seal: Oil
02-0250276-00	A610	Strobe Tube Assembly
02-0350259-00	A605	Base Plate Assembly
02-0350260-00	A507	Socket Assembly
1219-4200-Z3Y	S4-200	Spring: Stud Fastener
19-170049-009	A606	Lens Retainer
259N04	259 N4 259-N-04X02	Insert, Tube
264N04	264N 4 264-N-04X02	Tee, Tube

ENSTROM TH-28/480 SERIES ILLUSTRATED PARTS CATALOG

APPENDIX B – HARDWARE SUBSTITUTIONS

Table of Contents	B-1
1 Introduction	B-2
2 Acceptable Substitution Conditions	B-2
3 Hardware Tables	B-2
Table A – Bolts	B-3
Table B – Screws	B-5
Table C – Nuts	B-7
Table D – Nut Plates	B-8
Table E – Solid Rivets	B-9
Table F – Blind Rivets	B-9
Table G – Washers	B-10
Table H – Rivnuts	B-12
Table I – Turnbuckles	B-12
Table J – Grommets	B-12
Table K – Cotter Pins	B-12
Table L – Clamps (Nylon)	B-13
Table M – Cable Ties	B-13
Table N – U-Channels (Rubber)	B-14
Table O – Shrink Tubing	B-14
Table P – Ring Tongue Terminals	B-14
Table Q – Retaining Rings	B-15
Table R – Cushioned Clamps	B-15
Table S – PlusNuts	B-15
Table T – Solder Sleeve Shield Terminators	B-15
Table U – Pipe Plugs (Countersink Hex Head)	B-15
Table V – Clip Nut	B-15
Table W – Plug and Bleeder – Screw Tread	B-15
Table X – Pin, Retaining, Safety	B-15
Table Y – Quarter Turn Fastener	B-15
Table Z – Quick Disconnect Terminal	B-15
Table AA – Plug (BNC, TNC, N)	B-15
Table AB – Roll Pin	B-15
Table AC – Sleeve, Coupling	B-16
Table AD – Clevis Pin	B-16
Table AE – Quarter (1/4) Turn Fastener Receptacle	B-16

ENSTROM TH-28/480 SERIES ILLUSTRATED PARTS CATALOG

1. Introduction

This specification establishes the conditions under which hardware may be substituted and lists the specific hardware which may be substituted. These standard substitutions apply only to components and assemblies which are designed by Enstrom and assembled in house. The tables which follow list the substitutions which are permissible. The hardware called out on the drawing is the preferred configuration. Each table contains a left-hand column which lists the basic or preferred hardware. The adjacent column to the right lists the alternate hardware. Alternate hardware may be used as a substitute for the hardware in the left column; however, hardware in the left column may NOT be substituted for hardware listed as alternate. In cases where hardware is interchangeable, 'Equivalent Substitution' will be stated in the right-hand column. In the case where there is no substitution, N/A (no alternate) will be stated in the right hand column.

2. Acceptable Substitution Conditions

Hardware may be substituted without further approval when all the following conditions apply:

- The preferred hardware is unavailable.
- There is an acceptable alternate listed in this report.
- All of the other material conditions (hole diameter, material thickness, etc.) are within standard tolerances for the component.

To correct for component stack-up so as to ensure one to three threads showing past the nut, the grip length of the fastener may be substituted without further approval by the following methods:

- The length of rivets, screws, bolts, or quarter (1/4) turn fasteners may be increased or decreased one grip length (a "dash number").
- Washers may be added or subtracted or washer thicknesses may be substituted. Up to a total of three washers may be installed in combination under the head of the bolt and/or nut. (Washer substitutions must be in accordance with standard aircraft practices.)
 - Consult Engineering if it is necessary to remove all the washers or if there is a conflict with the washer requirements on the approved drawing.
- Consult Engineering if a specific hardware installation consistently requires adjustment in accordance with the conditions of this paragraph.

Substitutions may NOT be made in fastener diameter without engineering approval. Substitutions may NOT be made beyond one grip length or "dash number" without engineering approval.

3. Hardware Tables

Tables for substitute hardware are provided on the following pages. If the substitution is applicable to all dash numbers of a particular part number, it will be represented by a set of open parentheses. For example, AN3-() would indicate that the substitution includes all dash numbers for the AN3 bolt.