



SERVICE INFORMATION LETTER

SERVICE INFORMATION LETTER NO. 0190

Page 1 of 7

DATE: April 2, 2019

1. SUBJECT: Cabin Door Removal
2. MODEL: F-28A, F-28C, F-28C-2, F-28C-2R, F-28F, F-28F-R, 280, 280C, 280F, and
 280FX
3. EFFECTIVITY: All
4. BACKGROUND:

In certain instances, owners/operators may wish to operate their aircraft without one or both cabin doors installed. Enstrom has determined that the cabin doors may be removed or installed by the pilot prior to flight.

This Service Information Letter (SIL) grants owners/operators/pilots the authorization to remove and re-install the cabin doors at their option.

5. COMPLIANCE:
 When removing or re-installing the cabin doors, use the procedure in paragraph 6.
6. REMOVAL/INSTALLATION:
 6.1 F-28A/F-28C/F-28F Door Removal (Figure 1)

NOTE: Removal procedures are the same for removing either cabin door.

CAUTION

Support the cabin door when removing the hinge pins to prevent damage to the doors.

CAUTION

Take care not to damage the windshield during cabin door removal and installation.

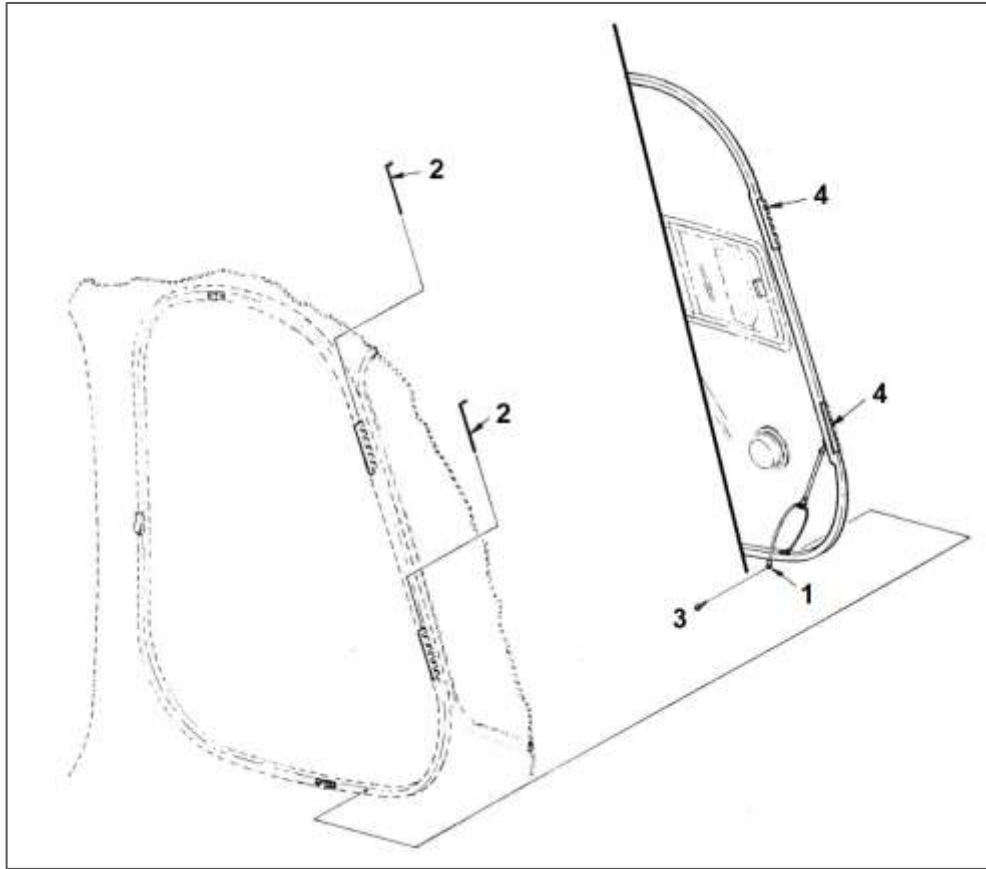


Figure 1. F-28A / F-28C / F-28F Door Removal and Installation

NOTE: The cabin door depicted in Figure 1 utilizes the bungee cord. Configurations may vary.

- 6.1.1. Disconnect the lower bungee (1) by removing the screw (3) at the forward corner of the door frame.
- 6.1.2. If equipped with a gas spring (Figure 2), remove the safety pins (Figure 3a-3c), and pull the gas spring off the balls at both ends (Figure 4).
- 6.1.3. Pull the hinge pins (2) from the upper and lower hinges (4) and carefully remove the door.



Figure 2. Gas Spring



Figure 3. Safety pin removal (both ends)



Figure 4. Pull gas spring off ball (both ends)

6.2 F-28A/F-28C/F-28F Door Installation (Figure 1)

6.2.1 Align the door to the hinges (4) and install the hinge pins (2).

6.2.2 Attach the lower bungee (1), if equipped, with the screw (3) at the forward corner of the door frame.

6.2.3 Install the gas spring, if equipped, by reversing the procedure in paragraph 6.1.2.

6.2.4 Check operation of the door latch and upper and lower retaining lugs.

6.3 280/280C/280F/280FX (S/N 2166 and prior) Door Removal (Figure 5)

NOTE: Removal procedures are the same for removing either cabin door.

CAUTION

Support the cabin door when removing the hardware to prevent damage to the doors.

CAUTION

Take care not to damage the windshield during cabin door removal and installation.

NOTE: Keep the upper door shims with the door as they are individually fitted.

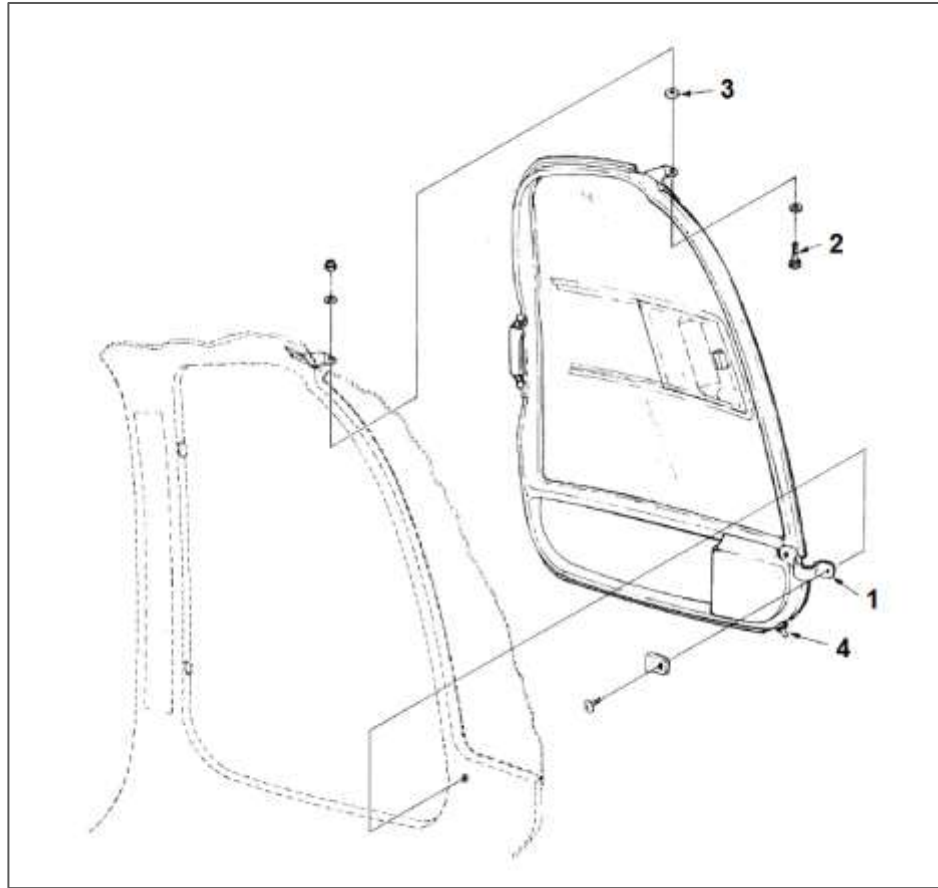


Figure 5. 280 / 280C / 280F / 280FX (S/N 2166 and prior) Door Removal and Installation

NOTE: The cabin door depicted in Figure 5 utilizes the retaining strap. Configurations may vary.

- 6.3.1 Remove the screw from the door strap (1) on the lower corner of the door.
- 6.3.2 If equipped with a gas spring (Figure 2), remove the safety pins (Figure 3a-3c), and pull the gas spring off the balls at both ends (Figure 4).
- 6.3.3 Remove the bolt (2) and spacer (3) from the hinge pivot point at the top of the door.
- 6.3.4 Carefully lift the door from the cabin frame.
- 6.4 280/280C/280F/280FX (S/N 2166 and prior) Door Installation (Figure 5)
 - 6.4.1 Align the bottom pivot peg (4) on the lower corner of the door with the hole in the cabin door frame and install the door into position.
 - 6.4.2 Install the spacer (3) and mount the hardware in the upper hinge. See Figure 5 for proper hardware installation.

- 6.4.3 Secure the door strap (1) on the lower corner of the door with the screw.
- 6.4.4 Install the gas spring, if equipped, by reversing the procedure in paragraph 6.3.2.
- 6.4.5 Check the door and door latch for proper operation.
- 6.5 280FX (S/N 2167 and subsequent) Door Removal (Figure 6)

NOTE: Removal procedures are the same for removing either cabin door.

CAUTION

Support the cabin door when removing the clevis pins to prevent damage to the doors.

- 6.5.1 Open the door and hold it in the open position.
- 6.5.2 Remove the safety pins from the gas spring and pull the gas spring off the balls at both ends (Figures 2-4).
- 6.5.3 Remove the upper and lower door hinge quick disconnect pins or cotter pins (2) and clevis pins (1), as applicable, and remove the door.
- 6.6 280FX (S/N 2167 and subsequent) Door Installation (Figure 6)
 - 6.6.1 Position the door on the hinges installed on the cabin shell and install the clevis pins (1) and cotter pins (2).
 - 6.6.2 Install the gas spring and safety pin.
 - 6.6.3 Secure the door strap on the lower corner of the door.
 - 6.6.4 Check the door and door latch for proper operation.

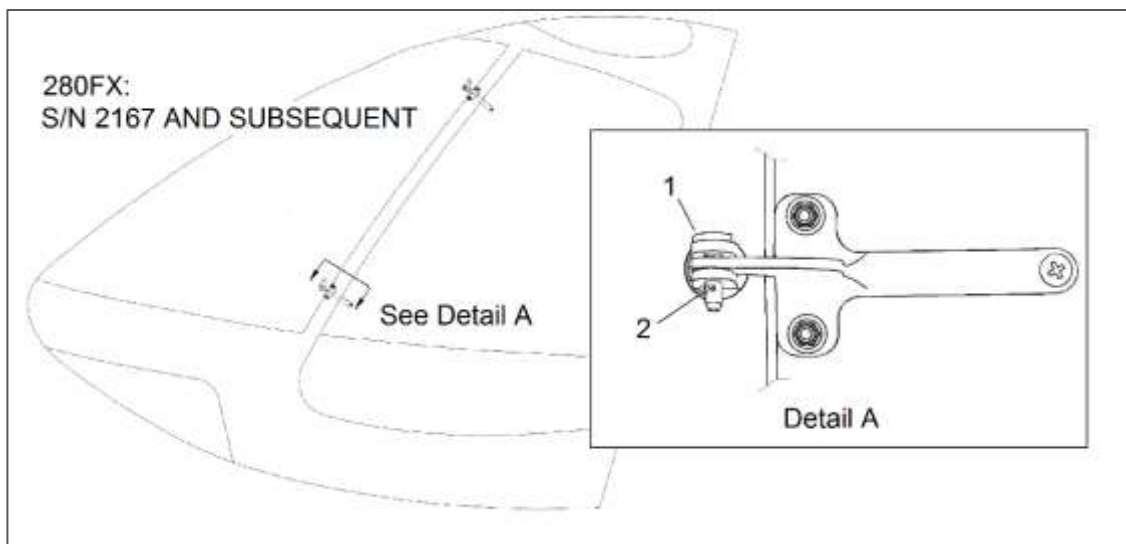


Figure 6. 280FX Door Removal (S/N 2167 and subsequent)

7. PARTS: N/A
8. SPECIAL TOOLS: N/A
9. MAN-HOURS: Removal (both doors), 10 minutes; Installation (both doors), 10 minutes
10. WARRANTY: N/A
11. WEIGHT CHANGE:

Item	Weight (lbs)	Station (in)
Cabin Door (F-28A/F-28C)	6.5*	58.8
Cabin Door (F-28F)	11.7	58.8
Cabin Door (280/280C)	10.2	59.8
Cabin Door (280F/280FX) (2166 and prior)	10.2	59.8
Cabin Door (280FX) (2167 and subsequent)	9.03	59.8

***NOTE: The door weight for early models F-28A and F-28C is an approximation. Owners of these aircraft should weigh the doors after removal and record the accurate weight.**

12. LOG BOOK ENTRY: Record equipment removal/installation in the log book.
13. REPETITIVE ACTION: N/A