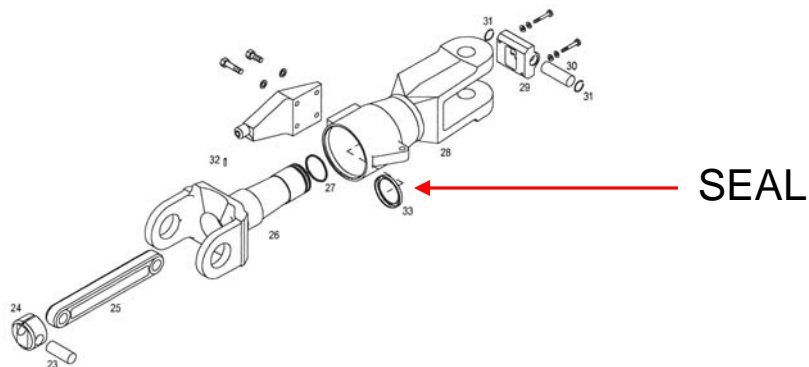


## STICK SHAKE AFTER SERVICEING THE HELICOPTER

After greasing, check for clearance here, between the seal and the spindle.



Be sure to remove the purge plugs from the grip when greasing the grip to prevent the seal from being pushed out from the grip. Use only Shell 22 (Recommended) or Mobil 28 in Grips.





**ENSTROM**  
HELICOPTER CORPORATION

To re-seat the lip (10065) seal in its proper position use the following procedure:

1. Remove the purge screw from the top of the grip.



2. Insert the blade of a flat head screw driver between the seal and the spindle and carefully work the seal out-board and back into the grip. Some grease should be displaced out of the purge hole as the seal is pushed back into place.
3. Reinstall the purge screw.